

RADIO COMPASS, ARI.23023, AD7092D

Part Number	Description	No. Off	Mati. Spec.	Plate No.
R EA3.82.7011	INSTALLATION OF RADIO COMPASS, ARI.23023, AD7092D (MOD.4937-S.O.O)	-	-	
R EA3.82.8011	INSTALLATION OF RADIO COMPASS, ARI.23023, AD7092D (MOD.5204-S.O.O)	-	-	RA1/1
SI178511	Spares for: AERIAL, LOOP, IN UPPER EQUIPMENT HATCH, INSTALLATION (SRIM.1785) (MOD.4937)	-	-	RA1/2
R W25140	Spares for: AERIAL, loop type W25140	1	-	RA1/3
AGS2007B1	Attaching parts for Ref. 10B/4306005:			
A33B20	Nut, anchor, 4BA	16	-	RA1/4
	Screw, 4BA	16	-	RA1/5
-	HATCH, UPPER, EQUIPMENT BAY, INSTALLATION (SRIM.1785) (MOD.4937-S.O.O)	-	-	
SI178515/6	Spares for: BRACKET, strut attachment, 18 SWG	1	L72	RA1/6
AGS2007B1	Attaching parts for SI178515/6:			
A31B16	Nut, anchor, 4BA	2	-	RA1/7
	Screw, 4BA	2	-	RA1/8
SI178515/2	EYE-BOLT, strut attachment	1	S1	RA1/9
A27ES	Attaching parts for SI178515/2:			
SP90C6	Nut, 1/4" BSF	1	-	RA1/10
SI178515/3	Pin, split	1	-	RA1/11
SP13E	Tube, distance	1	L85	RA1/12
	Washer	1	-	RA1/13
SI178517	FASTENER, assembly, strut anchor	1	-	RA1/14
SI178501	HINGE assembly	1	-	RA1/15
SI178520	MODIFICATION TO UPPER EQUIPMENT BAY HATCH	-	-	RA1/16
SI178549	Spares for: PANEL, Di-Electric, assembly	1	-	RA1/17
AS1242/2B	Attaching parts for SI178549:			
AGS2007B1	Bolt, 4BA	36	-	RA1/18
	Nut, anchor, 4BA	36	-	RA1/19
SI178516	STRUT ASSEMBLY	1	-	RA1/20
SI178515/4	Spares for: SPIGOT	1	-	RA1/21
A25/3E	Attaching parts for SI178516:			
A27ES	Bolt, 1/4" BSF	1	-	RA1/22
SP90C6	Nut, 1/4" BSF	1	-	RA1/23
SP13E	Pin, split	1	-	RA1/24
	Washer	1	-	RA1/25
SI178518	PLATE, aerial mounting, 16 SWG	1	L72	RA1/26
AGS2007C1	Attaching parts for SI178518:			
A31C16	Nut, 2BA	10	-	RA1/27
	Screw, 2BA	10	-	RA1/28

RADIO COMPASS, ARI.23023, AD7092D

Part Number	Description	No. Off	Matl. Spec.	Plate No.	
					1
EA3.82.425	. . . AERIAL, SENSE, ON STARBOARD BOMB DOOR, INSTALLATION (MOD 4937-S.O.O.) Spares for:—	—	—		
R EA3.82.427	. . . AERIAL ASSEMBLY Spares for:—	1	—	RA4/1	
R EA3.82.437 BUSH	1	—	RA4/2	
R EA3.82.435 CONDUCTOR	1	—	RA4/3	
R EA3.82.439 DISC, insulating	1	—	RA4/4	
R A14EB NUT	4	—	RA4/5	
R EA3.82.429 PILLAR, end	2	—	RA4/6	
R EA3.82.431 PILLAR, centre	1	—	RA4/7	
R EA3.82.433 ROD, antenna	1	—	RA4/8	
R A45B24 SCREW	1	—	RA4/9	
R SP22C WASHER	2	—	RA4/10	
R A33C28 Attaching parts for EA3.82.427:— Screw, 2BA	18	—	RA4/11	
R EA3.82.459 CLEAT, angle	1	—	RA4/12	
R AGS2008B1 Nut, anchor Attaching parts for:—	1	—	RA4/13	
R A25/1B Bolt, 4BA	2	—	RA4/14	
R AGS2001B1 Nut, 4BA	2	—	RA4/15	
R SP13B Washer	2	—	RA4/16	
R AS3180/5B CLIP, 'P' Attaching parts for AS3180/5B:—	1	—	RA4/17	
R A25/1B Bolt, 4BA	1	—	RA4/18	
R EA3.82.449 FAIRLEAD Attaching parts for EA3.82.449:—	2	—	RA4/19	
R A32C24 Screw, 2BA	1	—	RA4/20	
R EA3.82.425A PACKING, 18 SWG	—	L72	RA4/21	
R EA3.82.455 PLATE, cover Attaching parts for EA3.82.455:—	1	—	RA4/22	
R AGS2018B1 Nut, anchor, 4BA	4	—	RA4/23	
R A32B20 Screw, 4BA	4	—	RA4/24	
R SP13B Washer	4	—	RA4/25	
R EA3.82.441 PLATE, cover	2	—	RA4/26	
R EA3.82.443 PLATE, doubling	2	—	RA4/27	
R EA3.82.451 PLATE, doubling	1	—	RA4/28	
R EA3.82.457 PLATE, nut	1	—	RA4/29	
R EA3.82.447 PLATE, reinforcing	1	—	RA4/30	

RADIO

RADIO COMPASS, ARI.23023, AD7092D

Part Number	Description	No. Off	Matl. Spec.	Plate No.
SI178509	AMPLIFIER, SENSE AERIAL, BETWEEN FRAMES 25 AND 26, STARBOARD SIDE, INSTALLATION (SRIM.1785) (MOD 4937-S.O.O.) Spares for:-	-	-	
R 10U4698828	AMPLIFIER, sense, type 1628 Attaching parts for Ref. 10U/4698828	1	-	RA2/1
R A25 ¹ / ₂ C	Bolt, 2BA	4	-	RA2/1A
R CS5391/2	CABLE, ASSEMBLY, from navigator's indicator type 1630 to terminal block (SRIM 3577) (Mod 4937-S.O.O.)	1	-	RA2/2
R CS5391/6	CABLE, ASSEMBLY, from radio junction box to terminal block (SRIM 3577) (Mod 4937-S.O.O.)	1	-	RA2/3
R 10HA16202	CONNECTOR, type 11197, from loop control unit to pressure bulkhead (SRIM 1785) (Mod 4937-S.O.O.)	1	-	RA2/4
R 10HA16204	CONNECTOR, type 11199, from pressure bulkhead to terminal block (SRIM 1785) (Mod 4937-S.O.O.)	1	-	RA2/5
R 10HA16206	CONNECTOR, type 11201, from loop aerial to receiver type 7092D (SRIM 1785) (MOD 4937-S.O.O.)	1	-	RA2/6
R 10HA16213	CONNECTOR, type 11208, from receiver control unit to pressure bulkhead (SRIM 1785) (Mod 4937-S.O.O.)	1	-	RA2/7
R 10HA16216	CONNECTOR, type 11211, from pressure bulkhead to terminal block (SRIM 1785) (Mod 4937-S.O.O.)	1	-	RA2/8
R 10HA16217	CONNECTOR, type 11212, from pilot's indicator type 1630 to terminal block (SRIM 1785) (Mod 4937-S.O.O.)	1	-	RA2/9
R 10HA16221	CONNECTOR, type 11216, from pressure bulkhead to terminal block (SRIM 1785) (Mod 4937-S.O.O.)	1	-	RA2/10
R 10HA16222	CONNECTOR, type 11217, from voice range filter type 1275 to terminal block (SRIM 1785) (Mod 4937-S.O.O.)	1	-	RA2/11
R 10HA16237	CONNECTOR, type 11250, from pressure bulkhead to loop aerial (SRIM 1785) (Mod 4937-S.O.O.)	1	-	RA2/12
R 10HA16238	CONNECTOR, type 11255, from pressure bulkhead to loop aerial (SRIM 1785) (Mod 4937-S.O.O.)	1	-	RA2/13
R 10HA16239	CONNECTOR, type 11256, from pressure bulkhead to receiver type 7092D (SRIM 1785) (Mod 4937-S.O.O.)	1	-	RA2/14

RADIO

RADIO COMPASS, ARI.23023, AD7092D

Part Number	Description 1 2 3 4 5 6	No. Off	Matl. Spec.	Plate No.

AP101B-0402-3A

Page RA.3

RADIO

RADIO COMPASS, ARI.23023, AD7092D

Part Number	Description	No. Off	Matl. Spec.	Plate No.
R TYPE 11257	. CONNECTOR, type 11257, from pressure bulkhead to receiver type 7092D (SRIM.1785) (Mod 4937-S.O.O.)	1	-	RA2/15
R TYPE 11258	. CONNECTOR, type 11258, from power factor transformer type 1571 to receiver type 7092D (SRIM.1785) (Mod 4937-S.O.O.)	1	-	RA2/16
R TYPE 11259	. CONNECTOR, type 11259, from power factor transformer type 1571 to No. 1 distribution box (SRIM.1785) (Mod 4937-S.O.O.)	1	-	RA2/17
R TYPE 11261	. CONNECTOR, type 11261, from pressure bulkhead to voltage regulator type 1555A (SRIM.1785) (Mod 4937-S.O.O.)	1	-	RA2/18
R TYPE 11203	. CONNECTOR, type 11203, from JB. type 1629 to receiver type 7092D (SRIM.1785) (Mod.4937-S.O.O.)	1	-	RA2/19
R TYPE 11251	. CONNECTOR, type 11251, from loop aerial to JB, type 1629 (SRIM.1785) (Mod 4937-S.O.O.)	1	-	RA2/20
R TYPE 11260	. CONNECTOR, type 11260, from voltage regulator type 1555A to receiver type 7092D (SRIM.1785) (Mod 4937-S.O.O.)	1	-	RA2/21
R TYPE 11204	. CONNECTOR, type 11204, from sense aerial to sense amplifier type 1628 (SRIM.1785) (Mod 4937-S.O.O.)	1	-	RA2/22
R TYPE 11253	. CONNECTOR, type 11253, from sense amplifier type 1628 to aerial transformer type 1343A (SRIM.1785) (Mod 4937-S.O.O.)	1	-	RA2/23
R TYPE 11252	. CONNECTOR, type 11252, from sense amplifier type 1628 to JB. type 1629 (SRIM.1785) (Mod 4937-S.O.O.)	1	-	RA2/24
R EA3.82.7083	. EQUIPMENT IN UPPER EQUIPMENT BAY, INSTALLATION Spares for:-	-	-	RA2/25
R TYPE 1629	. . BOX, junction, type 1629	1	-	RA2/26
EA3.82.487	. . BRACKET, mounting, JB. type 1629	1	-	RA2/27
EA3.82.5605	. . BRACKET, assembly, mounting voltage regulator, type 1555A	1	-	RA2/28
EA3.82.5607	. . BRACKET, assembly, mounting, voltage regulator, type 1555A	1	-	RA2/29
178533	. . BRACKET, mounting, power factor transformer type 1571, 16 SWG (SRIM.1785) (Mod 4937-S.O.O.) Attaching parts for 178533:-	1	L72	RA2/30
A25/1B	. . Bolt, 4BA	5	-	RA2/31
AGS2001B1	. . Nut, 4BA	5	-	RA2/32
SP13B	. . Washer	5	-	RA2/33
R W25385	. . REGULATOR, voltage, type 1555A	1	-	RA2/34
R W26424	. . TRANSFORMER, power factor, type 1571	1	-	RA2/35

RADIO

RADIO COMPASS, ARI.23023, AD7092D

Part Number	Description	No. Off	Matl. Spec.	Plate No.
SI178507	. RECEIVER, TYPE 7092D, IN UPPER EQUIPMENT BAY, INSTALLATION (SRIM.1785) (MOD 4937-S.O.O.) Spares for:—	—	—	
W2396B	. . . BACKPLATE	1	—	RA2/36
AD7092D	. . . RECEIVER, type AD7092D	1	—	RA2/37
RD9-2833	. . . RACK, electrical equipment, type 182 Attaching parts for RD9-2833	1	—	RA2/38
A25/8E	. . . Bolt, 1/4" BSF	4	—	RA2/39
WT/33047C7	. . . Washer, check	4	—	RA2/40
41055	. . . RACK, ELECTRICAL EQUIPMENT, MODIFIED (NHA. EA3.82.7011) (SRIM.3577) (MOD 4937-S.O.O. OR NHA. EA3.82.8011) (MOD 5204-S.O.O.)	—	—	
41185	. . . RACK, ELECTRICAL EQUIPMENT, MODIFIED (NHA. EA3.82.8011) (SRIM.3676) (MOD 5204-S.O.O.) Alternative fit Spares for:—	—	—	RA2/41
WT41712-949	. . . MOUNT, anti-vibration Attaching parts for WT41712-949	4	—	RA2/42
A251B	. . . Bolt, 4BA	4	—	RA2/43
AGS2001B1	. . . Nut, 4BA	4	—	RA2/44
SP15B	. . . Washer	4	—	RA2/45
13940	. . . PLATE, support, AV mount, 12 SWG Attaching parts for 13940:—	4	L72	RA2/46
A25/1/2C	. . . Bolt, 2BA	4	—	RA2/47
AGS2001C1-66	. . . Nut, 2BA	4	—	RA2/48
SP15C	. . . Washer	4	—	RA2/49
RD9-2833	. . . RACK, electrical equipment, type 182 (To be modified with above items)	1	—	RA2/50
10K18225	. . . TRANSFORMER, aerial, type 1343A	1	—	RA2/51

AP101B-0402-3A

Page RA.5

RADIO

RADIO COMPASS, ARI.23022

Part Number	Description	No. Off	Matl. Spec.	Plate No.
EA3.82.463	RADIO COMPASS, ARI.23022, MISCELLANEOUS DETAILS (MOD 1190-S.O.O. AND MOD 1191-S.O.O.) (PRE-MODS 4937 and 4868) Spares for:-	-	-	RA3/1
TYPE 1628	. AMPLIFIER, sense aerial, type 1628 Attaching parts for TYPE 1628:-	1	-	RA3/2
A31C16	. Screw, 2BA	4	-	RA3/3
TYPE B No. 1	. BLOCK, terminal, 3-way Attaching parts for TYPE B No. 1	1	-	RA3/4
AGS2001A1	. Nut, 6BA	2	-	RA3/5
A33/A24	. Screw, 6BA	2	-	RA3/6
703.2.00244	. BLOCK, terminal, 10-way Attaching parts for 703-2-00244	1	-	RA3/7
AGS2001B1	. Nut, 4BA	2	-	RA3/8
Z28426	. Pillar, fixing	2	-	RA3/9
TYPE 1629	. BOX, junction, type 1629	1	-	RA3/10
EA3.82.465	. BRACKET, switch Attaching parts for EA3.82.465:-	1	L72	RA3/11
A25/1B	. Bolt, 4BA	2	-	RA3/12
AGS2001B1	. Nut, 4BA	2	-	RA3/13
SP13B	. Washer	2	-	RA3/13A
EA3.82.479	. BRACKET, mounting, assembly, sense amplifier Attaching parts for EA3.82.479:-	1	-	RA3/14
A25/1B	. Bolt, 4BA	6	-	RA3/15
AGS2001B1	. Nut, 4BA	6	-	RA3/16
SP13B	. Washer	6	-	RA3/17
EA3.82.483	. BRACKET, mounting, assembly, power factor transformer	1	-	RA3/18
EA3.82.487	. BRACKET, mounting, assembly, junction box, type 1629	1	-	RA3/19
EA3.82.5605	. BRACKET, assembly, voltage regulator (Mod 4960)	1	-	RA3/20
EA3.82.5607	. BRACKET, assembly, voltage regulator (Mod 4960)	1	-	RA3/21
EA3.82.467	. CABLE, ASSEMBLY, earth, from D.C. distribution box	2	-	
EA3.82.497	. CABLE, ASSEMBLY, FS.102 from D.C. distribution box to pressure bulkhead	1	-	
EA3.82.499	. CABLE, ASSEMBLY, NS.102, from radio compass On/Off switch to pressure bulkhead	1	-	
UNINYVIN 16	. CABLE, Uninyvin 16	QR	-	
UNINYVIN 20	. CABLE, Uninyvin 20	QR	-	
UNINYVINMET-SHEATH 20	. CABLE, Uninyvinmetsheath 20	QR	-	
EEAS143/6H	. CLIP, 1/4" o/d	2	L72	
CZ69733	. CLAMP, cable	1	-	
M2161	. CORD, copper, flexible	QR	-	
CZ26808	. COVER, terminal block, 10-way	1	-	
EA3.82.521	. EQUIPMENT ON FLYING PANEL Spares for:-	-	-	RA3/22
10D4684123	. BOX, junction, type 148 Attaching parts for Ref.10D/4684123	1	-	RA3/23
A44B16	. Screw, 4BA	4	-	RA3/24

R

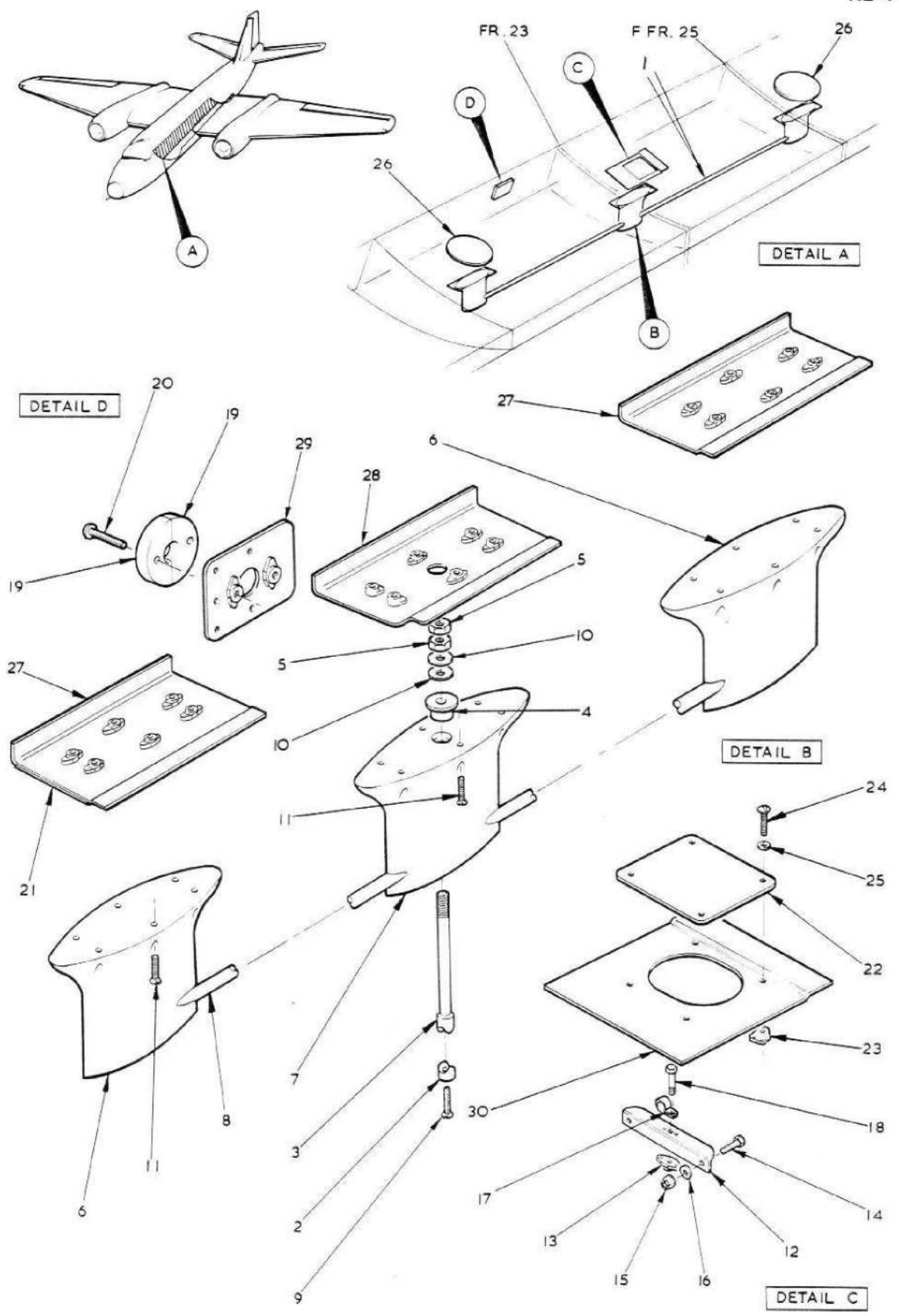


FIG 4 SENSE AERIAL BOMB DOOR STBD.

CODE R

SECT. RA

This file was downloaded
from the RTFM Library.

Link: www.scottbouch.com/rtfm

Please see site for usage terms,
and more aircraft documents.

