

RADIO

PR. 175 & STANDBY UHF, ARI.23143

Part Number	Description	No. Off	Matl. Spec.	Plate No.	
					1
EA3.82.7005	INSTALLATION OF PTR.175 AND STANDBY UHF, ARI.23143 (MOD.4937-S.O.O) (PRE-MOD.5204)	-	-		
EA3.82.8005	INSTALLATION OF PTR.175 & STANDBY UHF, ARI.23143 (MOD.5204-S.O.O) (Pre Mod.5409) Spares for:- INSTALLATION OF ARI 23300. ASR 889 V/UHF (EA3.82.8115 and EA3.82.8117) (Mod.5409)	-	-		
CHELTON 16-1	. AERIAL, upper, between frames 29 and 30 (SRIM. 3577) (Mod.4937) Attaching parts for 16-1	1	-	RC1/1	
AS1248/6C	. Bolt, 2BA	8	-	RC1/2	
EB6.82.1417	. Plate, mounting	1	-	RC1/3	
SP15C	. Washer	8	-	RC1/4	
40923	. AERIAL, LOWER, ON PORT BOMB DOOR, INSTALLATION (SRIM.2577) (MOD.4937-S.O.O) Spares for:-	-	-	RC1/5	
16-1-P1	. AERIAL, type 16-1 Attaching parts for 16-1-P1:	1	-	RC1/6	
AS1248/6C	. Bolt, 2BA	8	-	RC1/7	
SP15C	. Washer	8	-	RC1/8	
13667	. BLOCK, support, relay armature	1	L85	RC1/9	
1240	. BLOCK, terminal Attaching parts for 1240	1	-	RC1/10	
AGS2001A1	. Nut, 6BA	2	-	RC1/11	
A33A20	. Screw 6 BA	2	-	RC1/12	
SP15A	. Washer	2	-	RC1/13	
31219	. CONDUIT, cable, assembly Attaching parts for 31219:	1	-	RC1/14	
AS1248/2C	. Bolt, 2BA	2	-	RC1/15	
A25/2C	. Bolt, 2BA	1	-	RC1/16	
AS5418/16	. Clip, 'P'	1	-	RC1/17	
AGS2001C1-66	. Nut, 2BA	1	-	RC1/18	
SP15C	. Washer	3	-	RC1/19	
31220	. PANEL, access, assembly Attaching parts for 31220:	1	-	RC1/20	
AS1248/2C	. Bolt, 2BA	18	-	RC1/21	
A05/1	. RELAY, armature, type 1741 Attaching parts for 13667 and A05/1	1	-	RC1/22	
AS1242/14B	. Bolt, 4BA	2	-	RC1/23	
AGS2001B1	. Nut, 4BA	2	-	RC1/24	
SP15B	. Washer	2	-	RC1/25	
R TYPE 228	. AERIAL - WHIP (Mod 5409)	1	-	RC1/26	
40938	. BATTERY, UHF, STANDBY, IN LOWER EQUIPMENT BAY (SRIM.3577) (MOD.4937-S.O.O) (PRE MOD.5204)	-	-		
41164	. BATTERY, UHF, STANDBY IN LOWER EQUIPMENT BAY (SRIM.3676) (MOD.5204-S.O.O) Spares for:-	-	-	RC2/1	
19-V0-7/LK	. BATTERY, 24V, 7A	1	-	RC2/2	
40937	. TRAY, MOUNTING, SUB-ASSEMBLY Spares for:-	1	-	RC2/3	
13643	. CLAMP, screw	4	S1	RC2/4	
AGS120A	. NUT, wing, 1/4" BSF	4	-	RC2/5	
13642	. TIE-BAR	2	S510	RC2/6	
13645	. TRUNNION	4	S1	RC2/7	
AS1242/3C	. Attaching parts for 40937 Bolt, 2BA	4	-	RC2/8	

PR. 175 & STANDBY UHF, ARI.23143

Part Number	Description	No. Off	Mati. Spec.	Plate No.
R EG7.82.2379	BONDING FOR REDUNDANT VHF AERIALS IN CANOPY (MOD.5204-S.O.O) Spares for:—	—	—	RC3/1
EG7.82.2381	BRACKET	2	—	
FILMS & EQUIP. DC239	COVER	2	—	
EG7.82.2359	LEAD, bonding, assembly	2	—	
	SOCKET, type 684	2	—	
EC4.82.563	WASHER, bonding	2	—	
EA6.82.73	WASHER	2	—	
R EA3.80.7069	BOX, JUNCTION, STANDBY UHF, IN LOWER EQUIPMENT BAY, INSTALLATION (MOD.4937-S.O.O) Spares for:—	—	—	RC3/1A
40912	BOX, JUNCTION, SUB-ASSEMBLY (SRIM.3577) (MOD.4937-S.O.O) Spares for:—	1	—	RC3/2
21954	BOX, junction, 18 SWG	1	L59	RC3/3
10H/0139176	CAP, protective	1	—	RC3/4
21953	LID, 18 SWG	1	L59	RC3/5
TJ-11E-02-05	MODULE, terminal junction	3	—	RC3/6
TJ-11E-02-06	MODULE, terminal junction	3	—	RC3/7
460-8-33P	PLUG, 3-way	1	—	RC3/8
460-14-19P	PLUG, 19-way	1	—	RC3/9
	Attaching parts for 460-8-33P and 460-14-19P:			
AGS2001A1	Nut, 6BA	4	—	RC3/10
A32A16	Screw, 6BA	4	—	RC3/11
SP15A	Washer	4	—	RC3/12
12159A	RING, bonding, copper, 24 SWG	1	—	RC3/13
10H/0130889	SOCKET, fixed	1	—	RC3/14
460-14-19S	SOCKET, 19-way	1	—	RC3/15
	Attaching parts for 460-14-19S:			
AGS2001A1	Nut, 6BA	4	—	RC3/16
A32A16	Screw, 6BA	4	—	RC3/17
SP15A	Washer	4	—	RC3/18
AS10512A-7	SWITCH, SP	1	—	RC3/19
HC292	TAG	5	—	RC3/20
HC294D	TAG	2	—	RC3/21
JF11E01-03	TERMINAL, junction frame	1	—	RC3/22
	Attaching parts for JF11E01-03:			
AGS2001B1	Nut, 4BA	2	—	RC3/23
13614	Piece, distance, 1/4" o/d, 17 SWG	2	L62	RC3/24
A32B40	Screw, 4BA	2	—	RC3/25
SP15B	Washer	2	—	RC3/26
	Attaching parts for 40912:			
A25/1B	Bolt, 4BA	4	—	RC3/27
R SP15B	Washer 4BA	4	—	RC3/28
A33-7061-01	CABLE (Service supply) (Mod.5409)	1	—	RC1/27
A33-6986-01	CABLE (Service supply) (Mod.5409)	1	—	RC1/28
A34-3285-01	CABLE (Service supply) (Mod.5409)	1	—	RC1/29
5388/19	CABLE, ASSEMBLY, from radio junction box, aerial c/o switch, mic/tei panel to pressure bulkhead (SRIM.3577) (Mod.4937-S.O.O)	1	—	
5389/1	CABLE, ASSEMBLY, from standby transmitter/receiver type D403M to terminal block (SRIM. 3577) (Mod.4937-S.O.O)	1	—	
5389/2	CABLE, ASSEMBLY, from standby transmitter/receiver type D403M to standby junction box (SRIM.3577) (Mod.4937-S.O.O)	1	—	

AP101B-0402-3A

RADIO

Page RC.3

PTR. 175 & STANDBY UHF, ARI.23143

Part Number	Description	No. Off	Matl. Spec.	Plate No.
5389/3	. CABLE, ASSEMBLY, from pressure bulkhead to standby junction box and terminal blocks (SRIM.3577) (Mod 4937-S.O.O.)	1	-	
5389/4	. CABLE, ASSEMBLY, from standby junction box to terminal block (SRIM.3577) (Mod.4937-S.O.O.)	1	-	
5389/5	. CABLE, ASSEMBLY, from pressure bulkhead to radio junction box and pilot's auxilliary port panel (SRIM.3577) (Mod.4937-S.O.O.)	1	-	
5389/6	. CABLE, ASSEMBLY, from standby transmitter/receiver type D403M to standby aerial switch unit (SRIM.3577) (Mod.4937-S.O.O.)	1	-	
5389/7	. CABLE, ASSEMBLY, from standby aerial switch unit to lower aerial (SRIM.3577) (Mod.4937-S.O.O.)	1	-	
5390/1	. CABLE, ASSEMBLY, from control units and control unit switch (SRIM.3577) (Mod 4937-S.O.O.)	1	-	
5390/6	. CABLE, ASSEMBLY, from navigator's control unit type 1607/7 to pressure bulkhead (SRIM.3577) (Mod 4937-S.O.O.)	1	-	
EA3.82.229	. CABLE, ASSEMBLY, UHF.1, from frame 29 to interconnecting box	1	-	
EA3.82.231	. CABLE, ASSEMBLY, UHF.2, from interconnecting box to muting control unit (Pre Mod 5409)	1	-	
EA3.82.233	. CABLE, ASSEMBLY, UHF.3, from transmitter/receiver to interconnecting box (Pre Mod 5409)	1	-	
EB6.82.553	. CABLE, ASSEMBLY, UHF.1A, from pressure bulkhead to frame 29	1	-	
5388/17	. CABLE, ASSEMBLY, from frame 29 to interconnecting box (SRIM.3577) (Mod.4937-S.O.O.)	1	-	
5388/18	. CABLE, ASSEMBLY, from pressure bulkhead to frame 29 and terminal blocks (SRIM.3577) (Mod 4937-S.O.O.)	1	-	
5390/2	. CABLE, ASSEMBLY, from transmitter/receiver to upper/lower aerial switch unit (SRIM.3577) (Mod 4937-S.O.O.)	1	-	
5390/3	. CABLE, ASSEMBLY, from upper aerial to upper/lower aerial switch unit (SRIM.3577) (Mod. 4937-S.O.O.)	1	-	
5390/4	. CABLE, ASSEMBLY, between aerial switch units (SRIM.3577) (Mod 4937-S.O.O.)	1	-	
5390/5	. CABLE, ASSEMBLY, from transmitter/receiver to VHF aerial (SRIM.3577) (Mod 4937-S.O.O.)	1	-	

R
R

Part Number	Description	No. Off	Matl. Spec.	Plate No.
R EA3.81.7509	. CABLE, assembly, 2F135 (Mod 5409) Spares for:—	1	—	RC1/30
R Uniminyvin 12	. . CABLE	QR	—	
R Z49631	. . FERRULE, adaptor	2	—	
R EEAS146/6/1/2"	. . SLEEVE	QR	—	
R EEAS146/6/3/4"	. . SLEEVE	QR	—	
R EEAS146/6/1	. . SLEEVE	QR	—	
R EEAS146/12/1/2"	. . SLEEVE	QR	—	
R EEAS146/12/1	. . SLEEVE	QR	—	
R 508/1/07012/320	. . SOCKET	1	—	
R HC510	. . TAG, QR	2	—	
R EA3.82.5671	. CONNECTOR, UHF 3 (Mod 5409) Spares for:—	1	—	RC1/31
R Duminyvin	. . CABLE	QR	—	
R Metsheath-20				
R or				
R 103-202-GY				
R SC031-20-62	. . CONDUIT, PVC	1	—	
R or				
R SC011-20-62				
R 2507/7	. CONNECTOR, from interconnecting box to connector block (Mod 5204-S.O.O.) (Pre—Mod 5409)	1	—	
R 630/1/37854/010	. CONTROLLER (Service supply) (Mod 5409)	1	—	RC2/9
R 630/1/37853/010	. CONTROLLER (Service supply) (Mod 5409)	1	—	RC2/10
R —	. CLIPPING OF UHF CABLES IN BOMB BAY, STARBOARD SIDE (EA3.81.7517) (Mod 5409) Spares for:—	—	—	
R AS3180-11C	. . CLIP Attaching parts for AS3180-11C:—	15	—	RC1/32
R AGS2001/C1	. . Nut, stiff, 2BA	1	—	RC1/33
R A31/C24	. . Screw, 2BA	1	—	RC1/34
R SP124/D	. . Washer	1	—	RC1/35
R EEAS237-7A	. . Washer	1	—	RC1/36
R No. 33-1"	. . TAPE, "Scotch"	QR	—	
R LKOX-HS-B	. . TIE, cable, black	QR	—	RC1/38

AP101B-0402-3A

Page RC.3B

RADIO

PTR 175 & STANDBY UHF, ARI 23143

Part Number	Description	No. Off	Mati. Spec.	Plate No.
R CP190003	. MOUNTING, Type MT1477/ARC52 for transmitter/receiver (Pre-Mod 5409) Attaching parts for CP190003:-	1	-	RC2/11
R A25/1C	. Bolt, 2BA	16	-	RC2/12
R SP15C	. Washer	16	-	RC2/13
R P587-03A/3	. MOUNTING, AV (Service supply) (Mod 5409)	2	-	RC1/39
R P587-03A/2	. MOUNTING, AV (Service supply) (Mod 5409)	2	-	RC1/40
R EA3.82.255	. PANEL, UHF, BETWEEN FRAMES 30 AND 30A STARBOARD SIDE, INSTALLATION (Pre-Mod 5409) (For spares breakdown see page RC8)	-	-	RC2/14
R EA3.82.8113	. PANEL, UHF IN CENTRE FUSELAGE INSTALLATION (Mod 5409) Spares for:-	-	-	
R EA3.81.7513	. . . BLOCK, fuse assembly Spares for:-	1	-	RC1/41
R CZ52815 or	. . . BLOCK, fuse	1	-	RC1/42
R 703-1-00416	. . . LABEL, fuses 139-142	1	-	RC1/43
R EA3.81.7515	. . . Attaching parts for EA3.81.7513:-			
R A31B6	. . . Screw, cheese head, 4BA	2	-	RC1/44
R SP47B	. . . Washer, spring	2	-	RC1/45
R AS10	. . . FUSE, 10A	1	-	RC1/46
R EA3.81.7511	. . . PLATE (30B/9611218)	1	L164-18 SW6	RC1/47
R 630/1/43409	. PLATE, blanking (Service supply) (Mod 5409)	1	-	RC2/15
R A34-3292-01	. PLUG, muting (Service supply) (Mod 5409)	1	-	RC1/48
R A33-7103-50	. STRAP, bonding (Service supply) (Mod 5409)	2	-	RC1/49
R EA3.82.7075	. STRUCTURE SUPPORT, TRANSMITTER/RECEIVER, BETWEEN FRAMES 28 AND 29 (Mod 4937-S.O.O.) Spares for:-	-	-	RC2/16
R EA3.82.251	. . . CHANNEL, assembly	2	-	RC2/17

RADIO

PTR. 175 & STANDBY UHF, ARI. 23143 AND 23159

Part Number	Description	No. Off	Matl. Spec.	Plate No.
R 41087	INSTALLATION OF PTR.175 AND STANDBY UHF, ARI. 23143 AND 23159 (SRIM,3479) (MOD 4868-S.O.O.) (For Aircraft WJ637 and WJ731) Spares for:-	-	-	RC4A/1
R CHELTON 16-1	. AERIAL, type 16-1, upper between frames 29-30 (For spares breakdown see Page RC.1)	1	-	RC4A/2
R 40923	. AERIAL, LOWER, FORWARD ON PORT BOMB DOOR, INSTALLATION (For spares breakdown see Page RC.1)	-	-	RC4A/3
R WT38156F	. AERIAL, lower, rear, on port bomb door	1	-	RC4A/4
R 40938	. BATTERY, UHF, STANDBY, IN LOWER EQUIPMENT BAY, GROUP (For spares breakdown see page RC.1)	-	-	RC4A/5
R 40912	. BOX, JUNCTION, SUB-ASSEMBLY, UHF, STANDBY IN LOWER EQUIPMENT BAY (For spares breakdown see Page RC.2)	1	-	RC4A/6
R 5394/1	. CABLE, ASSEMBLY, from pressure bulkhead to radio junction box and pilot's starboard auxiliary panel	1	-	RC4A/7
R 5394/2	. CABLE, ASSEMBLY, from bomb-bay bulkhead to interconnecting box	1	-	RC4A/8
R 5394/3	. CABLE, ASSEMBLY, from upper aerial to aerial change over switch	1	-	RC4A/9
R 5394/4	. CABLE, ASSEMBLY, from aerial change over switch to aerial switch unit	1	-	RC4A/10
R 5394/5	. CABLE, ASSEMBLY, from PTR.175 transmitter/receiver to aerial change over switch	1	-	RC4A/11
R 5394/6	. CABLE, ASSEMBLY, from PTR.175 transmitter/receiver to VHF aerial	1	-	RC4A/12
R 5394/7	. CABLE, ASSEMBLY, from aerial switch unit to UHF aerial	1	-	RC4A/13
R 5394/8	. CABLE, ASSEMBLY, from aerial switch unit to standby transmitter/receiver	1	-	RC4A/14
R 5394/9	. CABLE, ASSEMBLY, from standby transmitter/receiver to standby junction box	1	-	RC4A/15
R 5394/10	. CABLE, ASSEMBLY, from standby junction box to pressure bulkhead	1	-	RC4A/16
R 5394/11	. CABLE, ASSEMBLY, from pressure bulkhead to radio junction box	1	-	RC4A/17
R 5394/12	. CABLE, ASSEMBLY, from standby transmitter/receiver to standby junction box and terminal block	1	-	RC4A/18
R 5394/13	. CABLE, ASSEMBLY, from standby junction box to standby transmitter/receiver and terminal block	1	-	RC4A/19
R 5394/14	. CABLE, ASSEMBLY, from pilot's PTR.175 control unit to navigator's PTR.175 control unit	1	-	RC4A/20
R 5394/15	. CABLE, ASSEMBLY, from navigator's PTR.175 control unit to pressure bulkhead	1	-	RC4A/21

RADIO

PTR.175 & STANDBY UHF, ARI.23143 AND 23159

Part Number	Description	No. Off	Matl. Spec.	Plate No.
R EA3.82.229	CABLE, ASSEMBLY, UHF.1, from frame 29 to interconnecting box	1	—	RC4A/22
R EA3.82.231	CABLE, ASSEMBLY, UHF.2, from interconnecting box to muting control unit	1	—	RC4A/23
R EA3.82.233	CABLE, ASSEMBLY, UHF.3, from transmitter/receiver to interconnecting box	1	—	RC4A/24
R EB6.82.553	CABLE, ASSEMBLY, UHF.1A, from pressure bulkhead to frame 29	1	—	RC4A/25
R 5394/16	CABLE, ASSEMBLY, from pressure bulkhead to terminal blocks	1	—	RC4A/26
R 5394/17	CABLE, ASSEMBLY, from pressure bulkhead to pilot's port auxiliary panel	1	—	RC4A/27
R 640-1-02600	CABLE, unit, type C1607/4, pilot's	1	—	RC4A/28
R 640-1-12638	CONTROL, unit, type C1607/7, navigator's	1	—	RC4A/29
R EA3.82.5659	PANEL ASSEMBLY, AERIAL SWITCH UNIT (MOD 4859) (For spares breakdown see Page RC.4)	1	—	RC4A/30
R EA3.82.255	PANEL, UHF, BETWEEN FRAMES 30 AND 30A, INSTALLATION (For spares breakdown see Page RC.8)	—	—	RC4A/31
R WT33046	SWITCHING unit, type 184, press to mute	RF	—	RC4A/32
R 31722	TRANSMITTER/RECEIVER, STANDBY UHF, IN LOWER EQUIPMENT BAY, INSTALLATION (For spares breakdown see Page RC.4)	—	—	RC4A/33
R 40958	TRANSMITTER/RECEIVER, PTR.175, BETWEEN FRAMES 29A AND 30, INSTALLATION Spares for:—	—	—	RC4A/34
R CP190003	MOUNTING, type MT1477	1	—	RC4A/35
R A25/5C	Attaching parts for CP190003:— Bolt, 2BA	16	—	RC4A/36
R 640-1-03492	TRANSMITTER/RECEIVER, PTR.175	1	—	RC4A/37

AP101B-0402-3A

RADIO

Page RC.7

U.H.F., A.R.I. 18124/1

Part Number	Description	No. Off	Matl. Spec.	Plate No.	
					1
EA3.82.227	U.H.F. -A.R.I. 18124/1, INSTALLATION (MOD.3905-S.O.O) (PRE MODS.4937 AND 4868) Spares for:	-	-		
R EB6.82.611	. AERIAL, UPPER, INSTALLATION Spares for:	-	-	RC4/1	
RSP20448	. . . AERIAL, U.H.F. Type A.100 Attaching parts for RSP20448	1	-	RC4/2	
AS1242/4C	. . . Bolt, 2BA	8	-	RC4/3	
EB6.82.1417	. . . Plate, mounting	1	-	RC4/4	
EA3.82.279	. BOX, RELAY, U.H.F./V.H.F., INSTALLATION Spares for:	-	-	RC4/5	
EB6.82.1365	. . . BOX, RELAY, ASSEMBLY Consisting of:	1	-	RC4/6	
703-2-00244 BLOCK, terminal, 10-way Attaching parts for 703-2-00244:	1	-	RC4/7	
EB6.82.1373 Pillar	2	-	RC4/8	
A31B10 Screw, 4BA	2	-	RC4/9	
A31B24 Screw, 4BA	2	-	RC4/10	
EB6.82.1369 BOX, shell, assembly	1	-	RC4/11	
EB6.82.1375 LID Attaching parts for EB6.82.1375:	1	-	RC4/12	
A31B16 Screw, 4BA	4	-	RC4/13	
AGS2035B Washer, shakeproof	4	-	RC4/14	
EA9.81.4623 MOUNTING, RELAY, ASSEMBLY Consisting of:	1	-	RC4/15	
AGS2001A1 NUT, 6BA	2	-	RC4/16	
EA9.81.4203 PANEL, relay, mounting	1	-	RC4/17	
LP733615 PLATE	2	-	RC4/18	
4190HD RELAY, midget	2	-	RC4/19	
A33A18 SCREW, 6BA	2	-	RC4/20	
LP736720 SOCKET	2	-	RC4/21	
LP733614 SPRING	2	-	RC4/22	
SP13A WASHER Attaching parts for EA9.81.4623:	2	-	RC4/23	
EB6.82.1373 Pillar	4	-	RC4/24	
A31B6 Screw, 4BA	2	-	RC4/25	
A31B10 Screw, 4BA	2	-	RC4/26	
AGS2035B Washer, shakeproof	8	-	RC4/27	
CZ49112 PLUG, Mk.4	1	-	RC4/28	
CZ48995 PLUG, Mk.4	1	-	RC4/29	
EEAS146/12 SLEEVE	10	-	RC4/30	
EEAS146/22 SLEEVE	16	-	RC4/31	
EEAS146EQ SLEEVE	36	-	RC4/32	
R CZ49459 SOCKET	1	-	RC4/31A	
HC294 TAG	1	-	RC4/34	
HC490 TAG	9	-	RC4/35	
HC500 TAG Attaching parts for EB6.82.1365:	2	-	RC4/36	
AS1246/1C	. . . Bolt, 2BA	4	-	RC4/37	
SP13C	. . . Washer	4	-	RC4/38	
EA3.82.281	. . . CHANNEL	1	-	RC4/39	
EA3.82.283	. . . CHANNEL	1	-	RC4/40	

RADIO
U.H.F., A.R.I. 18124/1

Part Number	Description	No. Off	Matl. Spec.	Plate No.
EA3.82.229	. CONNECTOR, U.H.F. 1, from frame 29 to inter-connecting box	1	—	RC5/1
EA3.82.231	. CONNECTOR, U.H.F. 2, from interconnecting box to muting bias unit	1	—	RC5/2
EA3.82.233	. CONNECTOR, U.H.F. 3, from transmitter/receiver to interconnecting box	1	—	RC5/3
EA3.82.235	. CONNECTOR, U.H.F. 4, from frame 29 to inter-connecting box	1	—	RC5/4
EA3.82.237	. CONNECTOR, U.H.F. 4A, from pressure bulkhead to frame 29	1	—	RC5/5
EA3.82.239	. CONNECTOR, U.H.F. 4B, from relay box to pressure bulkhead	1	—	RC5/6
EA3.82.241	. CONNECTOR, U.H.F. 5, from transmitter receiver to aerial	1	—	RC5/7
EA3.82.243	. CONNECTOR, U.H.F. 6, from interconnecting box to supply terminal block	1	—	RC5/8
EB6.82.553	. CONNECTOR, U.H.F. 1A, from pressure bulkhead to frame 29	1	—	RC5/9
EB6.82.555	. CONNECTOR, U.H.F. 1B, from control unit to pressure bulkhead	1	—	RC5/10
EA3.82.245	. HOLDER, TUNING CARD, INSTALLATION Spares for:	—	—	RC5/11
EA3.82.247	. BRACKET, mounting	1	—	RC5/12
CP102302	. HOLDER, card	1	—	RC5/13
630/8/07401	. MOUNTING, Type MT1477 ARC52 Attaching parts for 630/8/07401:	1	—	RC5/14
A25/1C	. Bolt, 2BA	16	—	RC5/15
SP15C	. Washer	16	—	RC5/16
EA3.82.255	. PANEL, U.H.F. IN CENTRE FUSELAGE, INSTALLATION Spares for:	—	—	RC5/17
AS2651	. BOARD, terminal Attaching parts for AS2651:	1	—	RC5/18
A31B16	. Screw, 4BA	2	—	RC5/19
CP191999	. BOX, interconnecting Attaching parts for CP191999:—	1	—	RC5/20
A31B16	. Screw, 4BA	4	—	RC5/21
SP15B	. Washer	4	—	RC5/22
CP195566	. CONTROL, receiver, muting Attaching parts for CP195566:—	1	—	RC5/23
A31B16	. Screw, 4BA	4	—	RC5/24
SP15B	. Washer	4	—	RC5/25
AS2638	. COVER, assembly, terminal board	1	—	RC5/26
PLESSEY	. FERRULE, adaptor	1	—	RC5/27
Z49631	. PANEL, assembly Attaching parts for EA3.82.257:	1	—	RC5/28
EA3.82.257	. Screw, 2BA	4	—	RC5/29
A31C16	. Washer	4	—	RC5/30
SP15C				
AS2640	. SOCKET, terminal	2	—	RC5/31
HC312	. TAG	1	—	RC5/32

RADIO AND INTER-COMM.

U.H.F. - A.R.I. 18124/1

Part Number	Description	No. Off	Matl. Spec.	Plate No.
EA3.82.249	. STRUCTURE, SUPPORT, TRANSMITTER/RECEIVER GROUP	-	-	RC5/33
EA3.82.251	. Spares for:- CHANNEL, ASSEMBLY	2	-	RC5/34
ARC.52/T5	. TRANSMITTER/RECEIVER, ARC.52/T5	1	-	RC5/35

R

RADIO

ILS, ARI. 18011

Part Number	Description	No. Off	Mati. Spec.	Plate No.
R EA3.82.7007	INSTALLATION OF ILS, ARI. 18011 (MOD 4937) (S.O.O.) (PRE-MOD 5204)	—	—	
R EA3.82.8007	INSTALLATION OF ILS, ARI. 18011 (MOD 5204) (S.O.O.) Spares for:—	—	—	
R 3C40306	. . AERIAL, ILS, IN PORT WING LEADING EDGE, INSTALLATION (SRIM.3577) (MOD 4937) (S.O.O.) Spares for:—	—	—	RC6/1
R VNC400	. . AERIAL, type 239, localiser Attaching parts for VNC400	1	—	RC6/2
R A26¼C	. . Bolt, 2BA	18	—	RC6/3
EA9.20.1379	. . COVER, assembly, aerial Attaching parts for EA9.20.1379:—	1	—	RC6/4
EEAS1/3C	. . Screw, 2BA	38	S96	RC6/5
EA3.20.1727	. . Seal, neoprene	1	—	RC6/6
EA3.20.2253 or 41067	. . HOUSING, aerial	1	—	RC6/7
R 3C40305	. . HOUSING, aerial . . AERIAL, ILS, IN STARBOARD WING LEADING EDGE, INSTALLATION (SRIM.3577) (MOD 4937) (S.O.O.) Spares for:—	1	—	RC6/8
R WTC125808	. . AERIAL, type 238, glide path Attaching parts for WTC125808:—	1	—	RC6/9
R A26¼C	. . Bolt, 2BA	10	—	RC6/10
EA9.20.1381	. . COVER, assembly, aerial Attaching parts for EA9.20.1381:—	1	—	RC6/11
EEAS1/3C	. . Screw, 2BA	20	S96	RC6/12
EA3.20.1757	. . Seal, neoprene	1	—	RC6/13
EA3.20.1773 or 41080	. . HOUSING, aerial	1	—	RC6/14
R 3C40307	. . HOUSING, aerial . . AERIAL, ILS, IN STARBOARD INNER WING, INSTALLATION (SRIM.3577) (MOD 4937) (S.O.O.) Spares for:—	1	—	RC6/15
R WTC125784	. . AERIAL, type 237, marker	1	—	RC6/16
R 3C12230	. . COVER, assembly, aerial (Ref. No. 18320 modified) Attaching parts for WTC125784 and 3C12230:—	1	—	RC6/17
R AGS2001C1-66	. . Nut, 2BA	28	—	RC6/18
3C12229	. . Packing, seal, neoprene	1	—	RC6/19
EEAS1/3C	. . Screw, 2BA	28	S96	RC6/20
SP13C	. . Washer	28	—	RC6/21
13952	. . PLUG, aerial cover	1	—	RC6/22
R 3C30780	. . BOX, JUNCTION, TYPE 164, AFT OF FRAME A, PORT SIDE, INSTALLATION (SRIM.3577) (MOD 4937) (S.O.O.) Spares for:—	—	—	RC6/23
R WTB116236	. . BOX, junction, type 164 Attaching parts for WTB116236	1	—	RC6/24
R AGS2001B1	. . Nut, 4BA	4	—	RC6/25
A31B12	. . Screw, 4BA	4	—	RC6/26
R SP13B	. . Washer	4	—	RC6/27

AP101B-0402-3A

RADIO

ILS, ARI. 18011

Part Number	Description	No. Off	Matl. Spec.	Plate No.
5328/1	. CABLE, ASSEMBLY, from junction box 157 to terminal block (SRIM.3577) (Mod.4937-S.O.O)	1	—	
5328/2	. CABLE, ASSEMBLY, from junction box 157 to terminal block (SRIM.3577) (Mod.4937-S.O.O)	1	—	
5328/4	. CABLE, ASSEMBLY, from port outer engine break to localiser aerial (SRIM.3577) (Mod.4937-S.O.O)	1	—	
5328/5	. CABLE, ASSEMBLY, from starboard outer engine break to glide path aerial (SRIM.3577) (Mod.4937-S.O.O)	1	—	
5328/6	. CABLE, ASSEMBLY, from receiver R1964 to pressure bulkhead (SRIM.3577) (Mod.4937-S.O.O)	1	—	
5328/7	. CABLE, ASSEMBLY, from receiver R1964 to pressure bulkhead (SRIM.3577) (Mod.4937-S.O.O)	1	—	
5328/8	. CABLE, ASSEMBLY, from receiver R1965 to pressure bulkhead (SRIM.3577) (Mod.4937-S.O.O)	1	—	
5328/9	. CABLE, ASSEMBLY, from port wing root break to inner engine break (SRIM.3577) (Mod.4937-S.O.O)	1	—	
5328/10	. CABLE, ASSEMBLY, between port engine breaks (SRIM.3577) (Mod.4937-S.O.O)	1	—	
5328/11	. CABLE, ASSEMBLY, from starboard wing root break to inner engine break (SRIM.3577) (Mod.4937-S.O.O)	1	—	
5328/12	. CABLE, ASSEMBLY, between starboard engine breaks (SRIM.3577) (Mod.4937-S.O.O)	1	—	
5328/14	. CABLE, ASSEMBLY, from JB.157 to JB.164 (SRIM.3577) (Mod.4937-S.O.O)	1	—	
5328/15	. CABLE, ASSEMBLY, from JB.164 to electrical indicator (SRIM.3577) (Mod.4937-S.O.O)	1	—	
5328/18	. CABLE, ASSEMBLY, from JB.164 to marker lamp (SRIM.3577) (Mod.4937-S.O.O)	1	—	
5328/19	. CABLE, ASSEMBLY, from pressure bulkhead to starboard wing root break (SRIM.3577) (Mod.4937-S.O.O)	1	—	
5328/20	. CABLE, ASSEMBLY, from pressure bulkhead to marker aerial (SRIM.3577) (Mod.4937-S.O.O)	1	—	
5328/21	. CABLE, ASSEMBLY, from pressure bulkhead to port wing root break (SRIM.3577) (Mod.4937-S.O.O)	1	—	
5406/1	. CABLE, ASSEMBLY, from JB.157 to control unit (SRIM.3577) (Mod.4937-S.O.O)	1	—	
5406/2	. CABLE, ASSEMBLY, from JB.157 to control unit (SRIM.3577) (Mod.4937-S.O.O)	1	—	
5406/3	. CABLE, ASSEMBLY, from JB.157 to control unit (SRIM.3577) (Mod.4937-S.O.O)	1	—	
5406/4	. CABLE, ASSEMBLY, from JB.157 to radio junction box (SRIM.3577) (Mod.4937-S.O.O)	1	—	
40602	. CABLE ROUTING FOR AERIALS IN MAINPLANES (SRIM.3577) (MOD.4937-S.O.O) (PRE MOD.5204) Spares for:	—	—	
3C12244	. . BRACKET, for cable break plug	4	—	
3C40303	. . CONDUIT, BETWEEN SPAR AND AERIALS, INSTALLATION Spares for:	—	—	
3C12237	. . . CONDUIT	2	—	
3C12240	. . CONDUIT, outer wing aft of spar	2	—	
	. . PLUG, type 753, at cable breaks	6	—	
EA3.82.8045	. CABLE RUNS FOR AERIAL IN PORT MAINPLANE (MOD.5204-S.O.O)	—	—	
EA3.82.8046	. CABLE RUNS FOR AERIAL IN STARBOARD MAINPLANE (MOD.5204-S.O.O) Spares for:	—	—	
R EA3.82.8047	. . BRACKET, assembly on rib 5B (Mod.5204-S.O.O)	1	L73	
R 40602	. . CABLE ROUTING FOR AERIALS IN MAINPLANES (SRIM.3577) (MOD.5204-S.O.O) (For spares breakdown see Page RC.11)	—	—	

RADIO
ILS, ARI. 18011

Part Number	Description	No. Off	Mati. Spec.	Plate No.
R 5413/1	. PLUG, shorting, at JB.164	1	—	RC6/27A
R 5413/2	. PLUG, shorting, at JB.164	1	—	RC6/27B
EA3.82.7065	. RECEIVERS AND EQUIPMENT, FORWARD OF FRAME 1, INSTALLATION (MOD.4937-S.O.O) (PRE MOD.5204)	—	—	
31906	. RECEIVERS AND EQUIPMENT, FORWARD OF FRAME 1, INSTALLATION (SRIM.3577) (MOD.5204-S.O.O)	—	—	RC6/28
AS2635	. . . BOARD, terminal, 19A Spares for:	1	—	RC6/29
Type 157	. . . BOX, junction, type 157	1	—	RC6/30
3C30780	. . . BOX, JUNCTION, TYPE 164, INSTALLATION (SRIM.3577) (MOD.5204-S.O.O) Spares for:	—	—	RC6/31
Type 164	. . . BOX, junction, type 164 Attaching parts for Type 164:	1	—	RC6/32
AGS2001B1	. . . Nut, 4BA	4	—	RC6/33
A31B12	. . . Screw, 4BA	4	—	RC6/34
SP13B	. . . Washer	4	—	RC6/35
AS2603	. . . COVER, terminal board	1	—	RC6/36
3C12906	. . . PANEL, access (SRIM.3577) (Mod.5204-S.O.O) Attaching parts for 3C12906:	1	—	RC6/37
A31B16	. . . Screw, 4BA	8	—	RC6/38
Type 933	. . . RACK, mounting, type 933 Attaching parts for Type 933:	1	—	RC6/39
A25/12E	. . . Bolt, ¼" BSF	4	—	RC6/40
	. . . Washer, check	4	—	RC6/41
R Type 1965	. . . RECEIVER, (Alternative fit to item below when 40 channel pairing required)	1	—	RC6/42
R Type 1965	. . . RECEIVER, glide path	1	—	RC6/43
R Type 1964	. . . RECEIVER, (Alternative fit to item below when 40 channel pairing required)	1	—	RC6/44
R R1964	. . . RECEIVER, localiser marker	1	—	RC6/45
R 152968	. . . REGULATOR, voltage, type 60 Attaching parts for 152968:—	1	—	RC6/46
R A25/16C	. . . Bolt, 2BA	4	—	RC6/47
R SP13C	. . . Washer	4	—	RC6/48
EA3.82.7085	. STRUCTURE, RECEIVERS AND REGULATOR, INSTALLATION (MOD.4937-S.O.O) (PRE MOD.5204)	—	—	
R 3C40254	. STRUCTURE, RECEIVERS AND REGULATOR, INSTALLATION (SRIM.3577) (MOD.5204-S.O.O) Spares for:	—	—	RC6/49
3C12096	. . . PANEL, access (SRIM.3577) (Mod.4937-S.O.O) Attaching parts for 3C12096:	1	—	
A31B16	. . . Screw, 4BA	8	—	
R 3C21020	. . . PLATE, cover (SRIM.3577) (Mod.4937-S.O.O) (Mod.5204-S.O.O) Attaching parts for 3C21020:	1	—	RC6/50
R A25/½B	. . . Bolt, 4BA	12	—	RC6/51
R 3C30781	. . . PLATFORM, voltage regulator (SRIM.3577) (Mod.4937-S.O.O) (Mod.5204-S.O.O)	1	—	RC6/52
R AS2606	. . . TERMINAL, screwed head, 4-way, double tier	5	—	RC6/53
31186	. UNIT, CONTROL, TYPE 705, INSTALLATION (SRIM.3577) (MOD.4937-S.O.O)	—	—	
R 32668	. UNIT, CONTROL, TYPE 706, INSTALLATION (SRIM.3868) (MOD.5204-S.O.O) Spares for:	—	—	RC6/54
R	. . . UNIT, control, type 705	1	—	RC6/55

AP101B-0402-3A

Page RC.13

RADIO

SINGLE ILS, TWIN VOR, AD260, ARI.23118

Part Number	Description	No. Off	Matl. Spec.	Plate No.	
					1
41001	INSTALLATION OF SINGLE ILS, TWIN VOR. AD260, ARI.23118 (SRIM.3479) (MOD.4868-S.O.O) For Aircraft WJ637 and WJ731 Spares for:	—	—		
3C40305	. AERIAL, ILS, IN STARBOARD WING LEADING EDGE, INSTALLATION (For spares breakdown see Page RC.10)	—	—	RC7/1	
3C40307	. AERIAL, ILS, IN STARBOARD INNER WING, INSTALLATION (For spares breakdown see Page RC.10)	—	—	RC7/2	
40956	. AERIALS AND ACCESS PANELS IN FIN, INSTALLATION Spares for:	—	—	RC7/3	
140LRU99A/1	. . AERIAL, type 140-LRU-99A Attaching parts for 140LRU99A1:—	2	—	RC7/4	
A113/3D	. . Bolt, 10 UNF	6	—	RC7/5	
A113/5D	. . Bolt, 10 UNF	4	—	RC7/6	
10D1078789	. . COUPLER, transmission line, type 133-LRU-14A Attaching parts for 10D/107879:	1	—	RC7/7	
A25/1B	. . Bolt, 4BA	4	—	RC7/8	
40954A	. . PANEL, access, port, 10 SWG	1	L72	RC7/9	
40954B	. . PANEL, access, starboard, 10 SWG Attaching parts for 40954A or 40954B:	1	L72	RC7/10	
AS1242/14B	. . Bolt, 4BA	18	—	RC7/11	
31760	. . PLATE, COVER AND FAIRLEAD, PORT, INSTALLATION Spares for:	—	—	RC7/12	
13753	. . . FAIRLEAD (Make from Ref.5F/9400952) Attaching parts for 13753:	1	—	RC7/13	
A25/2B	. . . Bolt, 4BA	4	—	RC7/14	
13751	. . . PLATE, cover, 12 SWG Attaching parts for 13751:	1	L73	RC7/15	
AS1242/1C	. . . Bolt, 2BA	8	—	RC7/16	
41071	. BOX, JUNCTION, ILS/VOR, ASSEMBLY Spares for:	1	—	RC7/17	
AS2736	. . BLOCK, fuse, 12-way	1	—	RC7/18	
41070	. . BOX, junction	1	—	RC7/19	
Y2240095-3	. . CLIP, relay	1	—	RC7/20	
10H4709460	. . FUSE, 5A	9	—	RC7/21	
WIS.1011?-C-1	. . FUSE, 5A, HRC	2	—	RC7/22	
31835	. . LID, junction box	1	—	RC7/23	
TJ.11E-02-05	. . MODULE	5	—	RC7/24	
TJ.11E-02-02	. . MODULE	5	—	RC7/25	
Y2240095-1	. . PLATE, clip retaining	1	—	RC7/26	
460-8-33P	. . PLUG, 3-way	1	—	RC7/27	
460-10-6P	. . PLUG, 6-way	1	—	RC7/28	
460-10-6PC	. . PLUG, 6-way	1	—	RC7/29	
460-10-6PE	. . PLUG, 6-way	1	—	RC7/30	

R

RADIO

SINGLE ILS, TWIN VOR, AD260, ARI.23118

Part Number	Description	No. Off	Matl. Spec.	Plate No.
460-10-6PF	. . PLUG, 6-way	1	-	RC7/31
460-12-10P	. . PLUG, 10-way	1	-	RC7/32
460-12-10PB	. . PLUG, 10-way	1	-	RC7/33
460-12-10PC	. . PLUG, 10-way	1	-	RC7/34
460-14-5P	. . PLUG, 5-way	1	-	RC7/35
460-14-19P	. . PLUG, 19-way	1	-	RC7/36
460-16-26P	. . PLUG, 26-way	1	-	RC7/37
SM5AN96	. . RELAY, magnetic, small	1	-	RC7/38
KT94127/1	. . SOCKET, relay	1	-	RC7/39
460-10-6S	. . SOCKET, 6-way	1	-	RC7/40
460-10-6SB	. . SOCKET, 6-way	1	-	RC7/41
460-10-6SC	. . SOCKET, 6-way	1	-	RC7/42
460-10-6SE	. . SOCKET, 6-way	1	-	RC7/43
460-10-6SF	. . SOCKET, 6-way	1	-	RC7/44
D5900	. . SWITCH, magnetic, type 20B No.3	2	-	RC7/45
5393/1	. CABLE, ASSEMBLY, aerial type 140-LRU-99A to balance unit	2	-	
5393/2	. CABLE, ASSEMBLY, from balance unit to frame 29	1	-	
5393/3	. CABLE, ASSEMBLY, from frame 29 to pressure bulkhead	1	-	
5393/4	. CABLE, ASSEMBLY, from pressure bulkhead to T junction	1	-	
5393/5	. CABLE, ASSEMBLY, from T junction to interconnecting box M7	1	-	
5393/6	. CABLE, ASSEMBLY, from T junction to interconnecting box EJB 21D	1	-	
5328/5	. CABLE, ASSEMBLY, from glide path aerial to coupling	1	-	
D273/30A/R2	. CABLE, ASSEMBLY, glide path aerial continuation between first and second couplings	1	-	
D267/30A/R10	. CABLE, ASSEMBLY, glide path aerial continuation between second and third couplings	1	-	
5393/7	. CABLE, ASSEMBLY, glide path aerial, from third coupling to pressure bulkhead	1	-	
5393/8	. CABLE, ASSEMBLY, glide path aerial, from pressure bulkhead to interconnecting box M7	1	-	
5393/9	. CABLE, ASSEMBLY, from marker aerial to pressure bulkhead	1	-	
5393/10	. CABLE, ASSEMBLY, marker aerial, from pressure bulkhead to interconnecting box M8	1	-	
5393/11	. CABLE, ASSEMBLY, from ILS/VOR junction box to G4B master indicator	1	-	
5393/12	. CABLE, ASSEMBLY, from interconnecting box EJ88 21D to G4B master indicator	1	-	
5393/13	. CABLE, ASSEMBLY, from interconnecting box M7 to G4B master indicator	1	-	
5393/14	. CABLE, ASSEMBLY, from ILS/VOR 1 control unit to interconnecting box M7	1	-	
5393/15	. CABLE, ASSEMBLY, from interconnecting box EJB 21D to VOR 2 control unit	1	-	

AP101B-0402-3A

Page RC.15

RADIO

SINGLE ILS, TWIN VOR, AD260, ARI.23118

Part Number	Description	No. Off	Matl. Spec.	Plate No.
5393/16	. CABLE, ASSEMBLY, from ILS/VOR junction box to omni bearing indicator	1	—	
5393/17	. CABLE, ASSEMBLY, from ILS/VOR junction box to pilot's radio magnetic indicator	1	—	
5393/18	. CABLE, ASSEMBLY, from ILS/VOR junction box to pilot's radio magnetic indicator	1	—	
5393/19	. CABLE, ASSEMBLY, from ILS/VOR junction box to pilot's radio magnetic indicator	1	—	
5393/20	. CABLE, ASSEMBLY, from ILS/VOR junction box to navigator's magnetic indicator	1	—	
5393/21	. CABLE, ASSEMBLY, from ILS/VOR junction box to navigator's radio magnetic indicator	1	—	
5393/22	. CABLE, ASSEMBLY, from ILS/VOR junction box to navigator's radio magnetic indicator	1	—	
5393/23	. CABLE, ASSEMBLY, from ILS/VOR junction box to ILS/VOR switch and indicator	1	—	
5393/24	. CABLE, ASSEMBLY, from ILS/VOR junction box to interconnecting box EJB 21D	1	—	
5393/25	. CABLE, ASSEMBLY, from ILS/VOR junction box to interconnecting box M7	1	—	
5393/26	. CABLE, ASSEMBLY, from ILS/VOR junction box to interconnecting box M7	1	—	
5393/27	. CABLE, ASSEMBLY, from ILS/VOR junction box to interconnecting box M7	1	—	
5393/28	. CABLE, ASSEMBLY, from ILS/VOR junction box to interconnecting box EJB 21D	1	—	
5393/29	. CABLE, ASSEMBLY, from ILS/VOR junction box to interconnecting box M8	1	—	
5393/30	. CABLE, ASSEMBLY, from ILS/VOR junction box to power supplies	1	—	
5393/31	. CABLE, ASSEMBLY, from interconnecting box M7 to radio junction box	1	—	
5393/32	. CABLE, ASSEMBLY, from interconnecting box EJB1 21D to radio junction box	1	—	
5393/33	. CABLE, ASSEMBLY, from interconnecting box M8 to radio junction box	1	—	
5393/34	. CABLE, ASSEMBLY, from interconnecting box M8 to marker indicator unit	1	—	
5393/35	. CABLE, ASSEMBLY, from radio junction box to voice range switch	1	—	
A30-2534-01	. CONTROL, unit, type 7430M	2	—	RC8/1
41005	. EQUIPMENT ON NAVIGATOR'S CONSOLE LOWER SHELF Spares for:	RF	—	RC8/2
W104056-1-A	. ANALYSER, navigational, type 6402MA	1	—	RC8/3
3041D1267M	. BOX, interconnecting, EJB 21D	1	—	RC8/4
5975-99-9713436	. RACK, electrical for 6402MA, 6401M and EJB 21D	1	—	RC8/5
W104055	. RECEIVER, type 6401M	1	—	RC8/6
TEA071-50	. JUNCTION, tee	1	—	

R

R

R

R

RADIO

SINGLE ILS, TWIN VOR, AD260, ARI.23118

Part Number	Description	No. Off	Mati. Spec.	Plate No.
31838	. PANEL, access, ILS aerial, between ribs 6B and 7A, starboard inner wing	1	—	RC8/7
41200	. PANEL, PILOT'S INSTRUMENT, GROUP Spares for:	—	—	RC8/8
RL7003/184B	. . INDICATOR, Mk.1, omni bearing	1	—	RC8/9
A217B24	. . Attaching parts for RL7003-184B:— . . Screw, 6 UNC	3	—	RC8/10
PW/21RNA/CP/1	. . INDICATOR, radio magnetic Attaching parts for PW21RNACP1:—	1	—	RC8/11
R 10AR9557296	. . Clamp	1	—	RC8/12
A217D24	. . Screw, 10 UNF	2	—	RC8/13
31778	. . INDICATOR unit, marker, assembly Attaching parts for 31778:	1	—	RC8/14
A25/2C	. . Bolt, 2BA	2	—	RC8/15
41207	. PANEL, SPRUNG, NAVIGATOR'S INSTRUMENT, GROUP Spares for:	—	—	RC8/16
19834-0	. . INDICATOR, master, G4B, type E5 Attaching parts for 19834-0:—	1	—	RC8/17
AGS2001C1-66	. . Nut, 2BA	3	—	RC8/18
A32C32	. . Screw, 2BA	3	—	RC8/19
SP13C	. . Washer	3	—	RC8/20
PW/21RNA/CP/1	. . INDICATOR, radio magnetic Attaching parts for PW21RNACP1:—	1	—	RC8/21
R 10AR9557296	. . Clamp	1	—	RC8/22
A217D24	. . Screw, 10 UNF	2	—	RC8/23
40982	. RECEIVERS AT NAVIGATOR'S STATION, PORT WALL, INSTALLATION Spares for:	—	—	RC8/24
W104056-1-A	. . ANALYSER, navigational, type 6402MA	1	—	RC8/25
EJB21B-1	. . BOX, interconnecting, type M7 (Pre Mod.5251)	1	—	RC8/26
EJB21B-1	. . BOX, interconnecting, type M7A (Mod.5251)	1	—	RC8/27
10AD4309260	. . BOX, interconnecting, type M8	1	—	RC8/28
3041D0660	. . RACK, type M35 for marker receiver Attaching parts for 3041D0660	1	—	RC8/29
A25/2E	. . Bolt, ¼" BSF	6	—	RC8/30
AGS2001E1/66	. . Nut, ¼" BSF	6	—	RC8/31
SP13E	. . Washer	6	—	RC8/32
3041D0630	. . RACK, type M36 for VHF and glideslope receiver and analyser Attaching parts for 3041D0630:—	1	—	RC8/33
A25/8E	. . Bolt, ¼" BSF	4	—	RC8/34
W104058/SHI/ED/A	. . RECEIVER, glideslope, type 6404M (Pre Mod.5251)	1	—	RC8/35
10AD6384405	. . RECEIVER, glideslope, type 6404ME (Mod.5251)	1	—	RC8/36
W104057/SHI/ED/A	. . RECEIVER, marker, type 6403M	1	—	RC8/35
W104055	. . RECEIVER, VHF, type 6401M	1	—	RC8/36

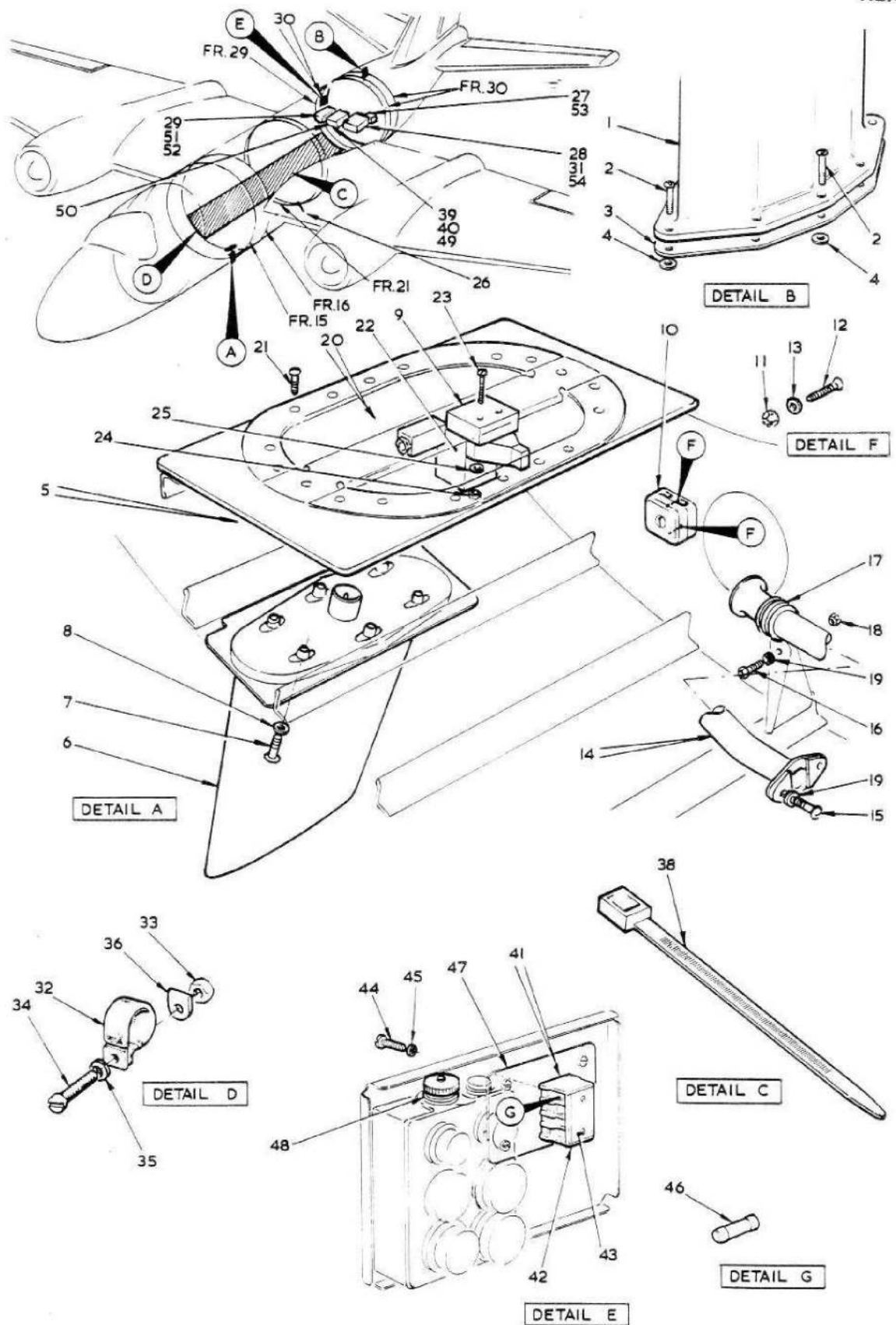


FIG.1 RADIO INSTALLATION

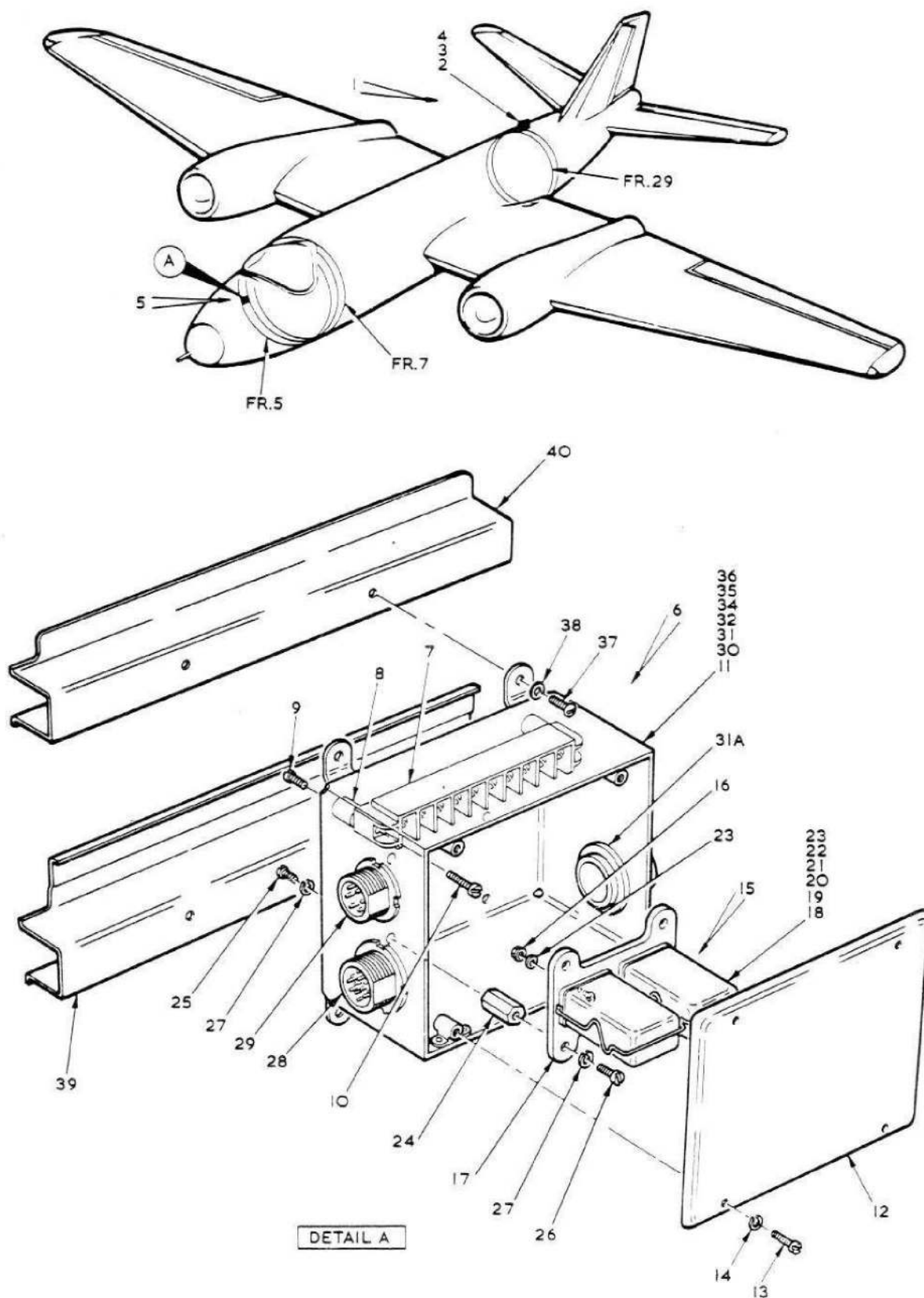


FIG. 4 RADIO, U.H.F., A.R.I.18124/1 INSTALLATION

This file was downloaded
from the RTFM Library.

Link: www.scottbouch.com/rtfm

Please see site for usage terms,
and more aircraft documents.

