

AP101B-0402-3A

Page RD.1

## RADIO AND INTER-COMM.

Part Number	1 2 3 4 5 6	Description	No. Off	Matl. Spec.	Plate No.
EA3.82.1		RADIO AND INTER-COMM. ASSEMBLY (PRE MODS.4937 AND 4868)	-	-	
EA3.82.267		RADIO AND INTER-COMM., ASSEMBLY (MOD.3905- S.O.O) (PRE MOD.4937 AND 4868)	-	-	RD1/1
EA3.82.35		. CONNECTOR, V.H.F. AERIAL ASSEMBLY, PORT Spares for:	-	-	RD1/2
EA6.82.77		. . . BRACKET, connector, 12 SWG	1	BSS265	
EA6.82.69		. . . STRIP, connecting c/w plug, Ref. 10H/9113	1	-	
EA3.82.36		. CONNECTOR, V.H.F. AERIAL, ASSEMBLY, STARBOARD Spares for:	-	-	RD1/3
EA4.82.99		. . . BRACKET, connector, 12 SWG (Mod.1272)	1	BSS265	
EA6.82.69		. . . STRIP, connecting c/w plug, Ref. 10H/9113	1	-	
EA3.82.77		. INSTALLATION OF MIC/TEL TERMINAL BLOCKS Spares for:	-	-	RD1/3A
EA3.82.113		. . . CABLE ASSEMBLY, mic/tel socket	1	-	RD1/4
EA3.82.141		. PANEL, PILOT'S RADIO, INSTALLATION (Pre Mod.5194) Spares for:	-	-	RD1/5
EA3.82.165		. . . PANEL, GROUP (Pre Mod.5194) Spares for:	1	-	
Uninyvin 20		. . . . CABLE, Uninyvin 20	QR	BSG177	
EA1.82.113		. . . . CLEAT, cable	1	LFS21	
EEAS146/16		. . . . SLEEVE, 3/4" long	8	-	

## RADIO AND INTER-COMM.

Part Number	Description	No. Off	Matl. Spec.	Plate No.
EB6.82.1381	. PANEL, RELAY, I/C AMPLIFIER, MOUNTING, GROUP	—	—	RD1/6
	Spares for:			
10U/2071289	. . . . . AMPLIFIER, type A1961	1	—	RD1/7
EA3.82.151	. . . . . BRACKET, assembly	1	—	RD1/8
EA3.82.153	. . . . . BRACKET, assembly	1	—	RD1/9
EB6.82.1379	. . . . . PANEL, I/C RELAY, ASSEMBLY	1	—	RD1/10
	Spares for:			
SIS1564	. . . . . BLOCK, terminal, 2-way	1	—	RD1/11
	Attaching parts for SIS1564:—			
AGS2001A1	. . . . . Nut, 6BA	2	—	RD1/12
A33A20	. . . . . Screw, 6BA	2	—	RD1/13
SP13A	. . . . . Washer	2	—	RD1/14
E&I 7049	. . . . . BLOCK, terminal, 5-way	2	—	RD1/15
	Attaching parts for E&I 7049:—			
AGS2001A1	. . . . . Nut, 6BA	2	—	RD1/16
A33A20	. . . . . Screw, 6BA	2	—	RD1/17
WTD108579	. . . . . BOX, junction, type 154	1	—	RD1/18
	Attaching parts for WTD108579:—			
A31C48	. . . . . Screw, 2BA	4	—	RD1/19
EB7.82.141	. . . . . BOX, RELAY, ASSEMBLY	1	—	RD1/20
	Consisting of:			
EA4.82.163	. . . . . BOX, shell	1	—	RD1/21
EA4.82.167	. . . . . BRACKET, assembly	2	—	RD1/22
	Attaching parts for EA4.82.167:			
AGS2001A1	. . . . . Nut, 6BA	4	—	RD1/23
A31A8	. . . . . Screw, 6BA	4	—	RD1/24
Z11809	. . . . . GROMMET	1	—	RD1/25
TYPE S1	. . . . . RELAY, type S.1 (Alternative to 5CW/6717)	1	—	RD1/26
EL34331	. . . . . RELAY, type S.7 (Alternative to 5CW/9729122)	1	—	RD1/27
	Attaching parts for EB7.82.141:			
A31B14	. . . . . Screw, 4BA	4	—	RD1/28
EA3.82.161	. . . . . PANEL, I/C relay	1	—	RD1/29
	Attaching parts for EB6.82.1379:			
A31C16	. . . . . Screw, 2BA	4	—	RD1/30
SP15C	. . . . . Washer	4	—	RD1/31
EA3.82.155	. . . . . PLATE, blanking	1	—	RD1/32
10AJ/4309267	. . . . . TRAY, mounting, type 936	1	—	RD1/33
	Attaching parts for Ref. 10AJ/4309267:			
A25/6B	. . . . . Bolt, 4BA	4	—	RD1/34
AGS2001B1	. . . . . Nut, 4BA	4	—	RD1/35
EA3.82.273	. PANEL, SWITCH, INSTALLATION	—	—	RD2/1
	Spares for:			
EA3.82.275	. . . . . PANEL, switch, engraved	1	—	RD2/2
C5162Y	. . . . . SWITCH, push, Mk.3	1	—	RD2/3
	Attaching parts for C5162Y:			
A47Z	. . . . . Nut, 8BA	2	—	RD2/4
A31Z12	. . . . . Screw, 8BA	2	—	RD2/5
AGS2035AA	. . . . . Washer	2	—	RD2/6

AP101B-0402-3A

Page RD.3

## RADIO AND INTER-COMM.

Part Number	Description	No. Off	Matl. Spec.	Plate No.
R 10F/0510588	. . . SWITCH (Alternative to 10F/0510578)	1	—	RD2/7
R 10F/0510578	. . . SWITCH (Alternative to 10F/0510588)	1	—	RD2/8
10F/2478970	. . . SWITCH, type 170 (Alternative to 10F/0510588 and 10F/0510578)	2	—	RD2/9
8295B110	. . . SWITCH, tumbler	1	—	RD2/10
EA3.82.143	. . . PANEL, RELAY, V.H.F., INSTALLATION (MOD.310) Spares for:	—	—	RD2/11
EA3.82.145	. . . PANEL, GROUP Spares for:	1	—	RD2/12
EA1.82.117	. . . BRACKET, push button	1	L72	
R Uninyvinmet+ sheath 20	. . . CABLE, Uninyvinmet sheath 20	QR	BSG177	
R Uninyvin.20	. . . CABLE, Uninyvin 20	QR	BSG177	
R Uninyvin.12	. . . CABLE, Uninyvin 12	QR	BSG177	
EA1.82.121	. . . LABEL, terminal, identification	1	L72	
EA3.82.147	. . . LABEL, terminal, mic/tel identification	1	L72	
EEAS146/16	. . . SLEEVE, 3/4" long	28	—	
EEAS146/6	. . . SLEEVE 3/4" long	4	—	
EEAS146/6	. . . SLEEVE, 1" long	2	—	
EA1.81.429	. . . TERMINAL, earth	1	—	
R EA3.82.7	. . . V.H.F. AND I/C WIRING ASSEMBLY (PRE MOD.310)			
EA3.82.43/1	. . . CABLE, ASSEMBLY, TR.12, from pressure bulkhead to V.H.F.	1	—	RD2/13
EA3.82.129	. . . CABLE, ASSEMBLY, R.T.21 from terminal board to mic/tel at pilot's seat, group (Mod.530)	1	—	RD2/15
EA3.82.131	. . . CABLE, ASSEMBLY, R.T.22, from terminal board to mic/tel. at bomb aimer's group (Mod.530)	1	—	RD2/17
EA3.82.65/1	. . . CABLE, ASSEMBLY, R.T.23, from 5-way terminal board on i/c relay panel to 2-way terminal board for push button on pilot's control column	1	—	RD2/18
EA1.82.67/1	. . . CABLE, ASSEMBLY, R.T.24 i/c relay panel earth connection	1	—	RD2/19

## RADIO AND INTER-COMM.

Part Number	Description						No. Off	Matl. Spec.	Plate No.
	1	2	3	4	5	6			
EA3.82.45/1	.	.					1	-	RD2/20
EA1.82.51/1	.	.					1	-	RD2/21
EA1.82.53/1	.	.					1	-	RD2/22
EA1.82.55/1	.	.					1	-	RD2/23
EA3.82.59/1	.	.					1	-	RD2/24
EA3.82.71/1	.	.					1	-	RD2/26
EA3.82.135	.	.					1	-	RD2/28
EA3.82.75/1	.	.					1	-	RD2/29
R EA3.82.111	.	.							RD2/30
GIRDLESTONE PUMPS A751A	.	.					1	-	RD2/31
GIRDLESTONE PUMPS A751B	.	.					1	-	RD2/32
EA3.82.269	.	.					-	-	
EB6.83.567	.	.					1	-	
EB6.82.1349	.	.					1	-	
EA3.82.15	.	.					-	-	
SIS1564	.	.					4	-	
AGS2001A1	.	.					2	-	
A45A20	.	.					2	-	
SP47A	.	.					2	-	

## RADIO AND INTER-COMM.

Part Number	Description						No. Off	Matl. Spec.	Plate No.
	1	2	3	4	5	6			
EA3.82.133	.	.					1	—	
WTA106590	.	.					1	—	
A25/4C	.	.					4	—	
AGS2001C1-66	.	.					4	—	
EA3.82.17	.	.					1	L72	
EA3.82.137	.	.					—	—	RD2/33
EB7.82.29	.	.					7	—	RD2/34
EA1.82.41/1	.	.					2	—	RD2/35
EA3.82.59/1	.	.					1	—	RD2/36
EA3.82.65/1	.	.					1	—	RD2/37
EA3.82.129	.	.					1	—	RD2/38
EA3.82.131	.	.					1	—	RD2/39
EA3.82.271	.	.					1	—	RD2/40
EA3.82.5401	.	.					1	—	RD2/41
EA3.82.171	.	.					1	—	RD2/42
EA3.82.175	.	.					1	—	RD2/43
EA3.82.177	.	.					1	—	RD2/44
EA3.82.179	.	.					1	—	RD2/45

## RADIO AND INTER-COMM.

Part Number	1 2 3 4 5 6	Description	No. Off	Matl. Spec.	Plate No.
EA3.82.181	.	CABLE, ASSEMBLY, R.T.7, interconnection between bomb aimer's forward position and pilot's seat mic/tel terminal boards	1	-	RD2/46
GIRDLESTONE PUMPS A751A	.	STUB, matching, V.H.F. aerial type 13	1	-	RD2/47
GIRDLESTONE PUMPS A751B	.	STUB, matching, V.H.F. aerial type 14	1	-	RD2/48
HC304	.	TAG, closed end	12	-	RD2/49

AP101B-0402-3A

## RADIO

INTER-COMM, A.R.I. 18089

Part Number	Description	No. Off	Matl. Spec.	Plate No.	
					1
EA3.82.7003	INSTALLATION OF INTER-COMM., ARI. 18089 (MOD.4937-S.O.O) (PRE MOD.5204)	-	-		
EA3.82.8003	INSTALLATION OF INTER-COMM., ARI. 18089 (MOD.5204-S.O.O)	-	-	RD3/1	
R EA3.82.8051	. AMPLIFIER, A1961M, TERMINAL BLOCK AND RELAY, INSTALLATION (MOD.5204-S.O.O) Spares for:	-	-	RD3/1A	
WTD2110PD	. . AMPLIFIER, type A1961M	1	-	RD3/2	
703/1/00249	. . BLOCK, terminal, 20-way	1	-	RD3/3	
Y2240095-3	. . CLIP, retaining, relay	1	-	RD3/4	
703-1-00266	. . COVER, terminal block	1	-	RD3/5	
SCLEC32662	. . GUARD, kick (SRIM.3890) (Mod.4937-S.O.O) Attaching parts for SCLEC32662:	1	-	RD3/6	
A32C16	. . Screw, 2BA	4	-	RD3/7	
SP13C	. . Washer	4	-	RD3/8	
703-2-00267	. . PILLAR, fixing, terminal block	2	-	RD3/9	
Y2240095-1	. . PLATE, clip retaining	1	-	RD3/10	
SCLEC32661	. . PLATE, mounting, sub-assembly (SRIM.3890) (Mod.4937-S.O.O) Attaching parts for SCLEC32661:	1	-	RD3/11	
R A25/2C	. . Bolt, 2BA	8	-	RD3/11A	
AGS2001C1/66	. . Nut, 2BA	8	-	RD3/12	
SP13C	. . Washer	8	-	RD3/13	
SM5A-N96	. . RELAY, isolating	1	-	RD3/14	
KT94127/1	. . SOCKET, relay	1	-	RD3/15	
10AJ4309267	. . TRAY, mounting, type 936 for amplifier	1	-	RD3/16	
R EA3.82.7081	. BLOCKS, TERMINAL, MIC/TEL, IN COCKPIT, INSTALLATION (MOD.4937-S.O.O) Spares for:	-	-		
1240	. . BLOCK, terminal, 2-way Attaching parts for 1240	67	-	RD3/18	
AGS2001A1	. . Nut, 6BA	2	-	RD3/19	
A33A24	. . Screw, 6BA	2	-	RD3/20	
E & I 7049	. . BLOCK, terminal, 5-way Attaching parts for E & I 7049	2	-	RD3/21	
AGS2001B1	. . Nut, 4BA	2	-	RD3/22	
A32B20	. . Screw, 4BA	2	-	RD3/23	
SP15B	. . Washer	2	-	RD3/24	
MARTIN BAKER A/MBEU125EE	. . BRACKET, TELE/MIC Attaching parts for A/MBEU125EE:	2	-	RD3/25	
A25/1C	. . Bolt, 2BA	4	-	RD3/26	
AGS2001C1-66	. . Nut, 2BA	4	-	RD3/27	
SP15C	. . Washer	4	-	RD3/28	
EA3.82.113 31716	. . CABLE, ASSEMBLY, mic/tel socket . BOX, JUNCTION, PILOT'S, ON PORT WALL INSTALLATION (SRIM.3577) (MOD.4937-S.O.O)	1	-	RD3/29	
R 31905	. BOX, JUNCTION, PILOT'S, ON PORT WALL, INSTALLATION (SRIM.3577) (MOD.4937-S.O.O)	-	-	RD3/29A	

RADIO  
INTER-COMM, A.R.I. 18089

Part Number	Description	No. Off	Matl. Spec.	Plate No.
31718	BOX, JUNCTION, NAVIGATOR'S, UNDER TABLE SHELF, INSTALLATION (SRIM.3577) (MOD.4937-S.O.O) Spares for:	-	-	RD3/30
TYPE 7682	BOX, junction, type 7682	1	-	RD3/31
TYPE 7683	BOX, junction, type Attaching parts for TYPE 7682 or TYPE 7683:-	1	-	RD3/32
A31B16	Screw, 4BA	4	-	RD3/33
SP15B	Washer	4	-	RD3/34
31717	MOUNTING, assembly, junction boxes (NHA.31716) (SRIM.3577) (Mod.4937-S.O.O) Attaching parts for 31717:	1	-	RD3/35
A25/2C	Bolt, 2BA	4	-	RD3/36
AGS2001C1-66	Nut, 2BA	4	-	RD3/37
SP15C	Washer	4	-	RD3/38
31884	MOUNTING, assembly, junction boxes (NHA.31905) (SRIM.3577) (Mod.4937-S.O.O) Attaching parts for 31884:	1	-	RD3/39
A25/2C	Bolt, 2BA	4	-	RD3/40
AGS2001C1-66	Nut, 2BA	4	-	RD3/37
SP15C	Washer	4	-	RD3/38
EA3.82.7071	BOX, JUNCTION, TYPE 7684, AT FRAMES 6 AND 7 ON STARBOARD WALL, INSTALLATION (MOD.4937-S.O.O)	-	-	
40967	BOX, JUNCTION, INSTALLATION (SRIM.3479) (MOD.4868-S.O.O)	-	-	
41689	BOX, JUNCTION, TYPE 7684 AND RADIO JUNCTION BOX AT FRAMES 6 AND 7 ON STARBOARD WALL, INSTALLATION (SRIM.3867) (MOD.5204-S.O.O) Spares for:	-	-	RD4/1
TYPE 7684	BOX, junction, type 7684 Attaching parts for TYPE 7684:-	1	-	RD4/2
AS1246/14B	Bolt, 4BA	4	-	RD4/3
13627	Spacer (SRIM.3577) (Mod.4937-S.O.O)	2	-	RD4/4
SP15B	Washer	4	-	RD4/5
40968	BOX, RADIO JUNCTION, ASSEMBLY (SRIM.3479) (MOD.4868-S.O.O)	-	-	
40911	BOX, RADIO JUNCTION, ASSEMBLY (SRIM.3867) (MOD.5204-S.O.O) Spares for:	1	-	RD4/6
31727	BOX, base (SRIM.3577) (Mod.4937-S.O.O)	1	L59	RD4/7
31768	BOX, base (SRIM.3479) (Mod.4868-S.O.O)	1	L59	
21972	BRACKET, relay mounting	1	-	RD4/8
31726	LID, box (SRIM.3577) (Mod.4937-S.O.O)	1	L59	RD4/9
31767	LID, box (SRIM.3479) (Mod.4868-S.O.O) Attaching parts for lid:	1	L59	
AGS2007B1	Nut, anchor, 4BA	6	-	RD4/10
A32B16	Screw, 4BA	6	-	RD4/11
SP15B	Washer	6	-	RD4/12

AP101B-0402-3A

RADIO  
INTER-COMM, A.R.I. 18089

Part Number	1 2 3 4 5 6	Description	No. Off	Mati. Spec.	Plate No.
460-8-33P		. . PLUG, 3-way	1	—	
460-8-33PE		. . PLUG, 3-way	1	—	
460-8-33PF		. . PLUG, 3-way (SRIM.3479) (Mod 4868-S.O.O.)	1	—	
460-12-10PB		. . PLUG, 10-way	1	—	
460-8-33S		. . SOCKET, 3-way	1	—	
460-8-33SE		. . SOCKET, 3-way (SRIM.3479) (Mod 4868-S.O.O.)	1	—	
460-14-19S		. . SOCKET, 19-way	1	—	
460-12-10S		. . SOCKET, 10-way	1	—	
460-12-10SE		. . SOCKET, 10-way	1	—	
		Attaching parts for plugs or sockets:			
AGS2001A1		. . Nut, 6BA	4	—	
A32A16		. . Screw, 6BA	4	—	
SP15A		. . Washer	4	—	
N314667-1		. . SOCKET, base, switch magnetic	1	—	
N324362		. . SWITCH, magnetic relay	1	—	
AGS 1600A		. . TAG, eye end	2	—	
HC296		. . TAG, RT	6	—	
5E/9102373		. . WIRE, tinned copper, 16 SWG	QR	—	
Type 2 white		. . WIRE, equipment, type 2, white	QR	—	
Type 2S pink		. . WIRE, equipment, type 2S, pink	QR	—	
		Attaching parts for junction box:			
A25/1B		. Bolt, 4BA	4	—	
SP15B		. Washer	4	—	
31724		. BRACKET, assembly, box type 7684 mounting (SRIM.3577) (Mod 4937-S.O.O.) (Pre Mod.5204)	1	—	
32664		. BRACKET, assembly, box type 7684 mounting (SRIM.3867) (Mod 5204-S.O.O.)	1	—	RD4/13
		Attaching parts for 32664:			
A25/1B		. Bolt, 4BA	6	—	RD4/14
AGS2001B1		. Nut, 4BA	3	—	RD4/15
AGS2007B1		. Nut, anchor, 4BA	3	—	RD4/16
SP15B		. Washer	6	—	RD4/17
31725		. BRACKET, box mounting (SRIM.3577) (Mod 4937-S.O.O.) (Pre Mod.5204)	1	—	
R 32663		. BRACKET, box mounting (SRIM.3867) (Mod 5204-S.O.O.)	1	—	RD4/18
		Attaching parts for 31725 or 32663:			
R A25/1B		. Bolt, 4BA	6	—	RD4/19
R AGS2001B1		. Nut, 4BA	3	—	RD4/20
R AGS2007B1		. Nut, anchor, 4BA	3	—	RD4/21
R SP15B		. Washer	6	—	RD4/22
Uninyvin 20		. CABLE, Uninyvin 20	QR	BSG 177	
Uninyvin 22		. CABLE, Uninyvin 22	QR	BSG 177	
Uninyvinmesheath 22		. CABLE, Uninyvinmesheath 22	QR	BSG 177	
EA3.82.59/1		. CABLE, ASSEMBLY, RT.20 from terminal board to mic/tel plug at pilot's seat	1	—	
EA.3.82.129		. CABLE, ASSEMBLY, RT.21, from terminal board mic/tel plug at first navigator's seat (Pre Mod.5204)	1	—	
—		. CABLE, ASSEMBLY, RT.21, from terminal board to mic/tel plug at first navigator's seat (Mod 5204-S.O.O.)	1	—	

AP 101B-0402-3A

Page RD.11

## RADIO

INTER-COMM, A.R.I. 18089

Part Number	Description	No. Off	Matl. Spec.	Plate No.
R 10HA/9514242	. CONNECTOR, from terminal board mic/tel socket (SRIM.3676) (Mod 5240-S.O.O.)	2	—	
R 10CW/0374236	. DIODE (Mod 5204-S.O.O.)	1	—	
323932	. FERRULE	12	—	
R AGS2097B6B	. LEAD, bonding	1	—	
R 703-2-00521	. LINK, 2-way (Mod 5204-S.O.O.)	1	—	
R 703-2-00529	. LINK, 10-way (Mod 5204-S.O.O.)	1	—	
SC LEC32607	. MOUNTING, AMPLIFIER, TYPE A1961, INSTALLATION (SRIM.3890) (Mod 4937-S.O.O.)	—	—	RD4/23
	Spares for:			
SC LEC32662	. . GUARD, kick Attaching parts for SC LEC32662:	1	—	RD4/24
A32C16	. . Screw, 2BA	4	—	RD4/25
SP13C	. . Washer	4	—	RD4/26
SC LEC32661	. . PLATE, mounting, sub-assembly Attaching parts for SC LEC32661:	1	—	RD4/27
A25/2C	. . Bolt, 2BA	8	—	RD4/28
AGS2001C166	. . Nut, 2BA	8	—	RD4/29
SP13C	. . Washer	8	—	RD4/30
—	. PLATE, MOUNTING, MICROPHONE ISOLATION RELAY AND AMPLIFIER (SRIM.3577) (Mod 4937-S.O.O.)	—	—	RD4/31
	Spares for:			
Type A1961	. . AMPLIFIER, type A1961	1	—	RD4/32
703-1-00249	. . BLOCK, terminal, 20-way	1	—	RD4/33
Y2240095-3	. . CLIP, retaining, relay	1	—	RD4/34
703-1-00266	. . COVER, terminal block	1	—	RD4/35
R 10CV/0374236	. . DIODE	1	—	
R 703-2-00251	. . LINK, 2-way	1	—	RD4/36
R 703-2-00259	. . LINK, 10-way	1	—	RD4/37
R 703-2-00267	. . PILLAR, fixing	2	—	RD4/38
R Y2240095-1	. . PLATE, clip retaining	1	—	RD4/39
R SM5A-N96	. . RELAY, isolating	1	—	RD4/40
R KT94127/1	. . SOCKET, relay	1	—	RD4/41
R 10AJ/4309267	. . TRAY, mounting, type 936, for amplifier	1	—	RD4/42
P20	. SLEEVE	QR	—	
P30	. SLEEVE	8	—	
H15	. SLEEVE	22	—	
WT25432 Issue 7	. SOCKET, type 359	1	—	
HC294D	. TAG, RT (Mod 5204-S.O.O.)	18	—	
HC296	. TAG, RT	14	—	
HC490	. TAG, QR	QR	—	
HC500	. TAG, QR	4	—	
31807	INSTALLATION OF INTER-COMM., ARI. 18099 (SRIM.3479) (Mod 4868-S.O.O.) For Aircraft WJ637 and WJ731	—	—	
	Spares for:			
40967	. AMPLIFIER, TYPE A1961 and JB 7684 at STARBOARD WALL, INSTALLATION	—	—	RD5/1
	Spares for:			
Type A1961	. . AMPLIFIER, type A1961	1	—	RD5/2
R Type 7684	. . BOX, junction, type 7684 Attaching parts for 10D/4709929:	1	—	RD5/2A
AS1246/14B	. . Bolt, 4BA	4	—	RD5/3
SP13B	. . Washer	4	—	RD5/4

RADIO  
INTER-COMM, A.R.I. 18089

Part Number	Description	No. Off	Matl. Spec.	Plate No.
10AJ/4309267	. . . TRAY, mounting, type 936 for amplifier Attaching parts for Ref. 10AJ/4309267:	1	—	RD5/5
A25/6B	. . . Bolt, 4BA	4	—	RD5/6
AGS2001B1	. . . Nut, 4BA	4	—	RD5/7
SP13B	. . . Washer	4	—	RD5/8
WT33047/C7	. . . Washer, check	4	—	RD5/9
41006	. . . BOXES, JUNCTION, TYPES 7682 AND 7683 AT NAVIGATOR'S CONSOLE, INSTALLATION Spares for:	—	—	RD5/10
TYPE 7682	. . . BOX, junction, type 7682	1	—	RD5/11
TYPE 7683	. . . BOX, junction, type 7683 Attaching parts for TYPE 7682 or TYPE 7683:—	1	—	RD5/12
A25/½B	. . . Bolt, 4BA	4	—	RD5/13
SP13B	. . . Washer	4	—	RD5/4
13489	. . . FAIRLEAD, assembly Attaching parts for 13489:	1	—	RD5/14
A25/3B	. . . Bolt, 4BA	4	—	RD5/15
AGS2001B1	. . . Nut, 4BA	4	—	RD5/7
SP13B	. . . Washer	4	—	RD5/9
41007	. . . BOXES, JUNCTION, TYPES 7682 AND 7683, PILOT'S AND NAVIGATOR'S PRESS TO MUTE SWITCH, INSTALLATION Spares for:	—	—	RD5/16
Type 7682	. . . BOX, junction, type 7682	1	—	RD5/11
Type 7683	. . . BOX, junction, type 7683 Attaching parts for TYPE 7682 or TYPE 7683:—	1	—	RD5/12
A25/4B	. . . Bolt, 4BA	4	—	RD5/17
AGS2001B1	. . . Nut, 4BA	4	—	RD5/7
13824	. . . Spacer	4	—	RD5/18
SP13B	. . . Washer	4	—	RD5/4
R 31980	. . . SWITCH, PRESS TO MUTE, NAVIGATOR'S INSTALLATION Spares for:	—	—	RD5/19
10F/1062242	. . . SWITCHING, unit, type 184 Attaching parts for Ref. 10F1062242:—	1	—	RD5/20
A25/2B	. . . Bolt, 4BA	3	—	RD5/21
AGS2001B1	. . . Nut, 4BA	3	—	RD5/7
R SP15B	. . . Washer	3	—	RD5/21A
5396/1	. . . CABLE, ASSEMBLY, from pressure bulkhead to external i/c terminal block	1	—	
5396/2	. . . CABLE, ASSEMBLY, from JB7684 to amplifier	1	—	
5396/3	. . . CABLE, ASSEMBLY, from JB7684 to switch	1	—	
5396/4	. . . CABLE, ASSEMBLY, from JB7684 to pressure bulkhead	1	—	
5396/5	. . . CABLE, ASSEMBLY, from JB7684 to radio junction box	1	—	
5396/6	. . . CABLE, ASSEMBLY, from JB7684 to navigator's JB7683	1	—	
5396/7	. . . CABLE, ASSEMBLY, between navigator's and pilot's JB7683	1	—	

RADIO  
INTER-COMM, A.R.I. 18089

Ref. No.	Part No.	Description	No. off	Mati. Spec.	Cl. of Equip M.R. L.M.	Plate No.
10HB/21655	5396/8	. CABLE, ASSEMBLY, from JB7684 to navigator's JB7682	1	—	C	
10HB/21756	5396/9	. CABLE, ASSEMBLY, between navigator's and pilot's JB7682	1	—	C	
10HB/21757	5396/10	. CABLE, ASSEMBLY, from pilot's JB7683 to pilot's control unit	1	—	C	
10HB/21758	5396/11	. CABLE, ASSEMBLY, from navigator's JB7683 to navigator's control unit	1	—	C	
10HB/21759	5396/12	. CABLE, ASSEMBLY, from pilot's JB7682 to pilot's control unit	1	—	C	
10HB/21760	5396/13	. CABLE, ASSEMBLY, from navigator's JB7682 to navigator's control unit	1	—	C	
10HB/21761	5396/14	. CABLE, ASSEMBLY, from pilot's JB7683 to isolation panel	1	—	C	
10HB/21762	5396/15	. CABLE, ASSEMBLY, from pilot's JB7682 to isolation panel	1	—	C	
10HB/21763	5396/16	. CABLE, ASSEMBLY, from navigator's JB7683 to navigator's switch and terminal blocks	1	—	C	
10HB/21764	5396/17	. CABLE, ASSEMBLY, from navigator's JB7683 to navigator's terminal blocks	1	—	C	
10HB/21765	5396/18	. CABLE, ASSEMBLY, from JB7684 to radio junction box	1	—	C	
10HB/21766	5396/19	. CABLE, ASSEMBLY, from navigator's control unit to lighting terminal block	1	—	C	
10HB/21767	5396/20	. CABLE, ASSEMBLY, from pilot's control unit to lighting terminal block	1	—	C	
10HB/21768	5396/21	. CABLE, ASSEMBLY, from JB7684 to power supply	1	—	C	
10HB/21769	5396/22	. CABLE, ASSEMBLY, from amplifier to power supply	1	—	C	
10HB/21770	5396/23	. CABLE, ASSEMBLY, from radio junction box to tacan audio terminal block	1	—	C	
10HA/14841	† 40960	. CONNECTOR, type 3720 (SRIM.1345) (Mod 4868) . CONSOLE, PILOT'S, INSTALLATION	1 Ref.	—	C	RD5/22
10L/16748	†	Spares for:— . CONTROL, unit, type 7681A Attaching parts for 10L/16748:—	1	—	A	RD5/23
28S/9992525	A32B12	. Screw, 4BA	4	—	C	RD5/24

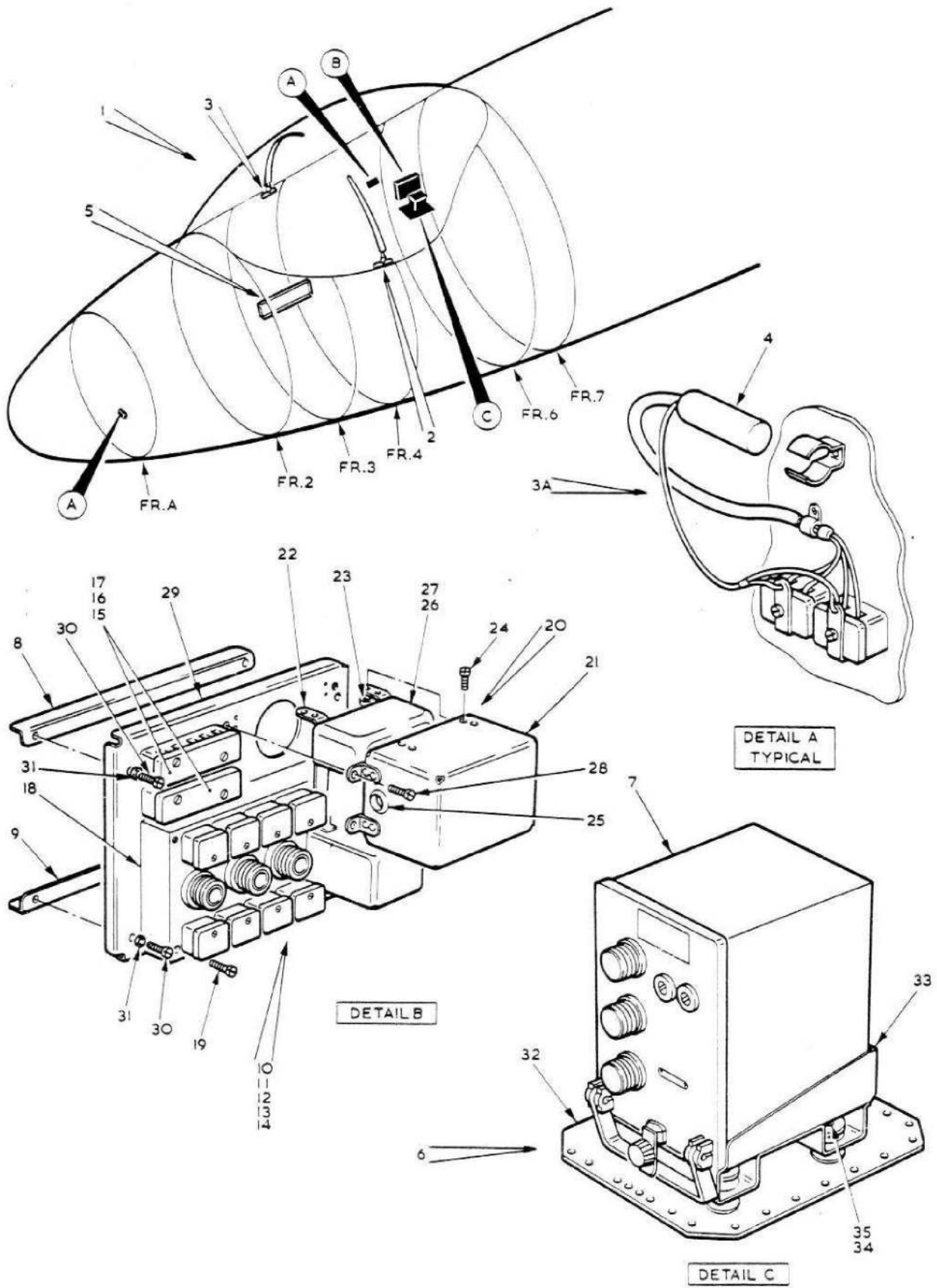


FIG. 1 RADIO AND INTER-COMM INSTALLATION

**CHAPTER RD**  
**FIGURES TO BE ISSUED LATER**

This file was downloaded  
from the RTFM Library.

Link: [www.scottbouch.com/rtfm](http://www.scottbouch.com/rtfm)

Please see site for usage terms,  
and more aircraft documents.

