

## TAIL UNIT

## TAILPLANE AND ELEVATORS

Part Number	Description	No. Off	Matl. Spec.	Plate No.
EA1.00.19	TAILPLANE AND ELEVATORS, ASSEMBLY (Pre-Mod 5097)	—	—	TB1/1
EA3.00.5473	TAILPLANE AND ELEVATORS, ASSEMBLY (Alt. R60/13 Mod 5097)	—	—	
	Spares for:—			
EEAS13/1	. BOLT, special, 1/4" BSF	1	S11	TB6/2
EA1.30.335	. BUFFER, rubber	2	Shore 45	TB9/8A
EA3.31.47	. BUSH, serrated	1	—	TB6/3
R EA3.00.5485	. ELEVATOR, c/w TAB, PORT ASSEMBLY (Spares for EA3.31.5021) (Pre-Mod 5344)	1	—	
R EA3.00.5705	. ELEVATOR, c/w TAB, PORT ASSEMBLY (Spares for EA3.31.5021) (Mod 5344)	1	—	TB1/2
	Spares for:—			
EA1.31.709	. . . ARM, MASS BALANCE, ASSEMBLY Consisting of:—	1	—	TB1/3
EA1.31.713	. . . . ARM, balance weight	1	S95	TB1/4
EA1.31.705	. . . . PIN, special, locking balance weight to arm	1	S95	TB1/5
EA1.31.707	. . . . PLUG, screwed, end fitting	1	S95	TB1/6
EA1.31.711	. . . . WEIGHT, mass balance	1	GEC	TB1/7
EA1.31.129	. . . . WEIGHT, balance make-up	1	Heavy Metal GEC	TB1/8
	Attaching parts for EA1.31.129:—			
EA1.31.133	. . . Bolt, special	2	MS	TB1/9
	Attaching parts for EA1.31.709:—			
A27JS	. . . Nut, 3/8" BSF	1	—	TB1/10
SP90C7	. . . Pin, split 1/18" dia	1	—	TB1/10A
EEAS28/34JF	. . . Washer	1	—	TB1/11
SKEFCO				
CBA2	. . . BALLRACE, elevator tab	1	—	TB5/1
SKEFCO				
T.T.S8 1/2	. . . BALLRACE, tab control lever at tab torque mounting	1	—	TB5/2
EA1.31.63	. . . BOLT, special, bearing tab hinge	1	S11	TB5/3
EA1.31.157	. . . BRACKET, link mounting Attaching parts for EA1.31.157:—	1	L40	TB1/12
A25/5E	. . . Bolt, 1/4" BSF	2	—	TB1/13
A27EP	. . . Nut, 1/4" BSF	2	—	TB1/14
AGS2031/22	. . . CIRCLIP, external, 11/16" dia	1	—	TB5/4
AGS2030/22	. . . CIRCLIP, internal 23 m/m	1	—	TB5/5
EA1.31.11	. . . ELEVATOR, PORT, ASSEMBLY (Pre-Mod 5097)	1	—	TB3/1
EA3.31.5025	. . . ELEVATOR, PORT, ASSEMBLY (Alt. R60/50 Mod 5097)	1	—	
	Spares for:—			
EA1.31.79	. . . . BRACKET, hinge Attaching parts for EA1.31.79:—	3	—	TB3/2
A25/3C	. . . . Bolt, 2BA	2	—	TB3/3
AS1242/3C	. . . . Bolt, 2BA	1	—	TB3/4
A25/4C	. . . . Bolt, 2BA	2	—	TB3/5
AS1242/4C	. . . . Bolt, 2BA	1	—	TB3/5A
AGS2001C1/66	. . . . Nut, 2BA	3	—	TB3/6
SP125C	. . . . Washer	3	—	TB3/7
EA1.31.485	. . . . COVER, hand hole Attaching parts for EA1.31.495:—	2	L72	TB3/8
AS1242/1C	. . . . Bolt, 2BA	8	—	TB3/9

TAIL UNIT  
TAILPLANE AND ELEVATORS

Part Number	Description	No. Off	Mati. Spec.	Plate No.
EA1.31.7	HORN, ELEVATOR, PORT, ASSEMBLY (Pre Mod.5097)	1	-	TB3/10
EA3.31.5033	HORN, ELEVATOR, PORT, ASSEMBLY (Alt. R60/50 - Mod.5097)	1	-	
	Spares for:			
EA1.31.51	BRACKET, horn (pre Alt. R60/50 - Mod.5097)	1	L53	TB3/11
EA3.31.5009	BRACKET, horn (Alt. R60/50 - Mod.5097)	1	DTD300	
AGS2001C1-66	NUT	8	-	TB3/13A
AGS2002C1	NUT	3	-	TB3/12A
AGS2001E1-66	NUT	16	-	TB3/14A
EEAS1/2C	SCREW, 2BA	3	-	TB3/12
EEAS1/4C	SCREW, 2BA	8	-	TB3/13
EEAS1/4½E	SCREW, ¼" BSF	16	S96	TB3/14
EA1.31.91	SPIGOT, hinge	1	S96	TB3/15
	Attaching parts for EA1.31.91:			
A27NP	Nut, ¼BSF	1	-	TB3/15A
SP124N	Washer (Mod.5097)	1	-	TB3/15B
SP124D	WASHER	8	-	TB3/13B
SP125D	WASHER	3	-	TB3/12B
SP124E	WASHER	16	-	TB3/14B
EA3.31.25	WEIGHT, ELEVATOR HORN BALANCE, ASSEMBLY	1	-	TB3/16
	Consisting of:			
EA3.31.29	BOLT, special	1	MS	TB3/17
EA3.31.27	DISC, balance weight	1	DTD126A	TB3/18
EA1.31.333	DISC, balance weight	QR	L64	TB3/19
EA1.31.339	HOUSING, balance weight	1	-	TB3/20
SP42J	WASHER, tab	1	-	TB3/21
SP15J	WASHER	QR	-	TB3/22
EA3.31.39	WEIGHT, mass balance	1	S92	TB3/23
EA3.31.41	WEIGHT, mass balance	QR	S92	TB3/24
EA1.31.83	HOUSING, bearing tab spar	1	L40	TB3/25
	Attaching parts for EA1.31.83:			
A27CT	Nut, 2BA	4	-	TB3/25A
EEAS1/2C	Screw, 2BA	4	-	TB3/28
SP16C	Washer	4	-	TB3/28A
EA1.31.679	MEMBER, trailing edge	1	L72	TB3/26
EA1.31.325	PACKING, trailing edge	8	Balsa	TB3/27
EEAS1/2½E	SCREW, ¼" BSF	6	S11	TB3/29
EA1.31.15	SPAR ELEVATOR, MAIN, PORT ASSEMBLY (Pre Mod 5097)	1	-	TB1/15
EA3.31.5035	SPAR, ELEVATOR, MAIN, PORT ASSEMBLY (Alt. R60/50 - Mod.5097)	1	-	
	Spares for:			
EA1.31.249	BLOCK, support	1	-	TB6/17B
	Attaching parts for EA1.31.249:			
A25/10C	Bolt, 2BA	2	-	TB6/17C
A27CP	Nut, 2BA	2	-	TB6/17D
SP16C	Washer	2	-	TB6/17E
EA1.31.169	BRACKET, C/W BALLRACE, ASSEMBLY	1	-	TB1/46
	Consisting of:			
T.T.S8½	BALLRACE	1	-	TB1/17
EEAS3K	HOUSING	1	-	TB1/18
EA1.31.169A	PLATE	1	L40	TB1/19
	Attaching parts for EA1.31.169:			
AS1246/4E	Bolt, ¼" BSF	2	-	TB1/20
A27EP	Nut, ¼" BSF	2	-	TB1/21
SP15E	Washer	2	-	TB1/22



TAIL UNIT  
TAILPLANE AND ELEVATORS

Part Number	Description						No. Off	Mati. Spec.	Plate No.
	1	2	3	4	5	6			
EA1.31.155	.	.	.	.	.	.	2	L72	TB1/32
	.	.	.	.	.	.			
AGS899/6	.	.	.	.	.	.	2	-	TB1/33
SP4YF11	.	.	.	.	.	.	1	-	TB1/34
SP4YF13	.	.	.	.	.	.	1	-	TB1/35
SP90E7	.	.	.	.	.	.	2	-	TB1/36
SP15G	.	.	.	.	.	.	2	-	TB1/37
SP124G	.	.	.	.	.	.	2	-	TB1/37A
A27GT	.	.	.	.	.	.	1	-	TB5/21
EA1.31.211	.	.	.	.	.	.	1	S1	TB5/14
EA1.31.363	.	.	.	.	.	.	2	-	TB5/15
EA3.30.273	.	.	.	.	.	.	1	-	TB5/16
	.	.	.	.	.	.			
EA3.30.411	.	.	.	.	.	.	1	-	
	.	.	.	.	.	.			
EA3.30.475	.	.	.	.	.	.	1	-	
	.	.	.	.	.	.			
EA1.31.99	.	.	.	.	.	.	1	DTD683	TB5/17
EA3.30.479	.	.	.	.	.	.	1	-	
EA1.31.101	.	.	.	.	.	.	1	-	TB5/18
EA3.30.481	.	.	.	.	.	.	1	-	
	.	.	.	.	.	.			
EA1.31.65	.	.	.	.	.	.	2	S65	TB5/19
A27CS	.	.	.	.	.	.	2	-	TB5/20
SP90C7	.	.	.	.	.	.	2	-	TB5/11
EEAS27/8/4	.	.	.	.	.	.	1	-	TB5/22
SP15C	.	.	.	.	.	.	2	-	TB5/23
SP16C	.	.	.	.	.	.	2	-	TB5/24
SP124D	.	.	.	.	.	.	2	-	TB5/23A
SP125D	.	.	.	.	.	.	2	-	TB5/24A
HOFFMANN CF2	.	.	.	.	.	.	1	-	TB5/6
or	.	.	.	.	.	.			
RANSOME & MARLES CM3/16C	.	.	.	.	.	.	1	-	
EA3.00.5487	.	.	.	.	.	.	1	-	TB4/2
	.	.	.	.	.	.			
EA3.00.5731	.	.	.	.	.	.	1	-	
	.	.	.	.	.	.			
EA3.31.53	.	.	.	.	.	.	8	L40	TB4/3
	.	.	.	.	.	.			
A29EP	.	.	.	.	.	.	1	-	TB4/4
EA1.31.269	.	.	.	.	.	.	1	-	TB4/4A
SP16E	.	.	.	.	.	.	1	-	TB4/5
SP15E	.	.	.	.	.	.	1	-	TB4/6

TAIL UNIT  
TAILPLANE AND ELEVATORS

Part Number	Description	No. Off	Matl. Spec.	Plate No.
EA1.31.49	. . . . FITTING, tab hinge, inter, inboard	1	L65	TB4/7
EA1.31.55	. . . . FITTING, tab hinge, inter, outboard	1	L65	TB4/8
EA1.31.57	. . . . FITTING, tab hinge, inboard end	1	—	TB4/9
EA3.31.23	. . . . FITTING, tab hinge, outboard end	1	L40	TB4/10
EA1.31.61	. . . . PIN, special tab bearing	3	S11	TB4/11
A27ET	. . . . Nut, ¼" BSF	1	—	TB4/11A
EA1.31.267	. . . . PLATE, doubling (Pre Mod 5097)	8	—	
EA1.31.267	. . . . PLATE, doubling (Alt.R60/73-Mod.5097)	4	—	
EA3.31.5055	. . . . PLATE, reinforcing (Alt.R60/73-Mod.5097)	4	—	
EA1.31.445	. . . . WEIGHT, balance	2	—	TB4/12
EA1.31.355	. . . . WEIGHT, balance	2	—	TB4/12A
EA1.45.49	. . . . Bolt, special	2	S1	TB4/13
EA1.31.277	. . . . Shim	1	Alum	TB4/14
EA3.31.117	. . . TORQUE TUBE AND BLOW BACK ROD ASSEMBLY Consisting of:	1	—	TB5/25
EA1.31.167	. . . . BRACKET, torque tube bearing	1	—	TB5/26
EA1.31.443	. . . . LEVER, operating	1	—	TB5/27
EEAS1/5C	. . . . Bolt, 2BA	4	S11	TB5/28
A27C S	. . . . Nut, 2BA	4	MS	TB5/29
SP90C7	. . . . Pin, split 1/16" dia	4	—	TB5/29A
SP15C	. . . . Washer	4	—	TB5/30
EA1.31.199	. . . . TUBE, torsion, assembly	1	—	TB5/31
EA1.31.193	. . . . ROD, blow back, assembly	1	—	TB5/32
A29JS	. . . . Nut, 3/8" BSF	1	—	TB5/33
SP90C7	. . . . Pin, split 1/16" dia	1	—	TB5/33A
A25/5E	. . . . Bolt, ¼" BSF	2	—	TB5/34
A27ES	. . . . Nut, ¼" BSF	2	—	TB5/35
SP90C7	. . . . Pin, split 1/16" dia	2	—	TB5/35A
R EA3.00.5505	. . . ELEVATOR, C/W TAB, STARBOARD ASSEMBLY (Spares for EA3.31.5023) (Pre-Mod 5344)	1	—	
R EA3.00.5707	. . . ELEVATOR, C/W TAB, STARBOARD ASSEMBLY (Spares for EA3.31.5023) (Mod 5344)	1	—	TB2/1
EA1.31.710	. . . Spares for: ARM, MASS BALANCE ELEVATOR, ASSEMBLY Consisting of:	1	—	TB2/2
EA1.31.713	. . . . ARM, balance weight	1	S95	TB2/3
EA1.31.705	. . . . PIN, special, locking balance weight to arm	1	S95	TB2/4
EA1.31.707	. . . . PLUG, screwed, end fitting	1	S95	TB2/5
EA1.31.712	. . . . WEIGHT, mass balance	1	GEC	TB2/6
EA1.31.129	. . . . WEIGHT, balance make-up	1	Heavy Metal GEC	TB2/7
EA1.31.133	. . . . Bolt, special	2	MS	TB2/8
A27JS	. . . . Nut, ¾" BSF	1	—	TB2/9
SP90C7	. . . . Pin, split 1/16" dia	1	—	TB2/9A
EEAS28/34JF	. . . . Washer	1	—	TB2/10

## TAIL UNIT

## TAILPLANE AND ELEVATORS

Part Number	Description	No. Off	Matl. Spec.	Plate No.
SKEFKO CBA2	. . . BALLRACE, elevator tab	1	—	TB5/1
EA1.31.63	. . . BOLT, special, bearing tab hinge	1	S11	TB5/3
EA1.31.275	. . . BOLT, special stop	1	L40	TB2/11
AGS2030/22	. . . CIRCLIP, internal, 23m/m	1	—	TB5/5
EA1.31.13	. . . ELEVATOR, STARBOARD, ASSEMBLY (Pre Mod.5097)	1	—	TB2/12
EA3.31.5027	. . . ELEVATOR, STARBOARD ASSEMBLY (Alt. R60/50—Mod 5097) Spares for:—	1	—	
EA1.31.79	. . . BRACKET, hinge Attaching parts for EA1.31.79:	3	—	TB3/2
A25/3C	. . . Bolt, 2BA	2	—	TB3/3
AGS1242/3C	. . . Bolt, 2BA	1	—	TB3/4
AGS2001C1/66	. . . Nut, 2BA	2	—	TB3/6
SP16C	. . . Washer (Pre Mod.5097)	1	—	TB3/7
SP15C	. . . Washer (Pre Mod.5097)	1	—	
SP124D	. . . Washer (Alt.R60/50-Mod.5097)	1	—	
SP125D	. . . Washer (Alt.R60/50-Mod.5097)	1	—	
EA1.31.485	. . . COVER, hand hole Attaching parts for EA1.31.485:	1	L72	TB3/8
AS1242/1C	. . . Bolt, 2BA	8	—	TB3/9
EA1.31.8	. . . HORN, ELEVATOR, ASSEMBLY (Pre Mod 5097)	1	—	TB3/30
EA3.31.5034	. . . HORN, ELEVATOR, ASSEMBLY (Alt.R60/50-Mod.5097) Spares for:	1	—	
EA1.31.52	. . . BRACKET, horn (Pre Alt.R60/50-Mod.5097)	1	L53	TB3/31
EA3.31.5010	. . . BRACKET, horn (Alt R60/50-Mod.5097)	1	DTD300	
AGS2001C1-66	. . . NUT	8	—	TB3/13A
AGS2002C1	. . . NUT	3	—	TB3/12A
AGS2001E1-66	. . . NUT	16	—	TB3/14A
EEAS1/2C	. . . SCREW, 2BA	3	S95	TB3/12
EEAS1/4C	. . . SCREW	8	—	
EEAS1/4½E	. . . SCREW	16	—	
EA3.31.91	. . . SPIGOT, hinge Attaching parts for EA1.31.91:	1	S11	TB3/15
A27NP	. . . Nut	1	—	TB3/15A
SP124N	. . . Washer (Mod.5097)	1	—	TB3/15B
SP124D	. . . WASHER	8	—	TB3/13B
SP125D	. . . WASHER	3	—	TB3/12B
SP124E	. . . WASHER	16	—	TB3/14B
EA3.31.25	. . . WEIGHT, ELEVATOR, HORN BALANCE ASSEMBLY Consisting of:	1	—	TB3/16
EA3.31.29	. . . BOLT, special	1	MS	TB3/17
EA3.31.27	. . . DISC, balance weight	1	DTD126A	TB3/18
EA1.31.333	. . . DISC, balance weight	QR	L64	TB3/19
EA1.31.339	. . . HOUSING, balance weight	1	—	TB3/20
SP42J	. . . WASHER, tab	1	—	TB3/21
SP15J	. . . WASHER	QR	—	TB3/22
EA3.33.39	. . . WEIGHT, mass balance	1	S92	TB3/23
EA3.31.41	. . . WEIGHT, mass balance	QR	S92	TB3/24



TAIL UNIT  
TAILPLANE AND ELEVATORS

Part Number	Description 1 2 3 4 5 6	No. Off	Mati. Spec.	Plate No.

TAIL UNIT  
TAILPLANE AND ELEVATORS

Part Number	Description						No. Off	Matl. Spec.	Plate No.
	1	2	3	4	5	6			
RA9.31.89	.	.	.	.	.	SHIM	2	—	TB6/11
EA9.31.91	.	.	.	.	.	SHIM	2	—	TB6/12
EA1.31.421	.	.	.	.	.	BUSH, balance weight arm	1	S95	TB2/14
EA1.31.151	.	.	.	.	.	HINGE, elevator, inboard	1	L45	TB2/15
EEAS37-8A	.	.	.	.	.	Attaching parts for EA1.31.151:— Nipple, 4 BA	8	S11	TB2/16
EEAS38-2A	.	.	.	.	.	Spoke, 4 BA (Make from Ref.28R6124)	4	S11	TB2/17
EA1.31.91	.	.	.	.	.	SPIGOT, hinge	1	S11	TB6/20
A29NS	.	.	.	.	.	Attaching parts for EA1.31.91:— Nut, 1-2" BSF	1	—	TB6/8
SP90E8	.	.	.	.	.	Pin, split, 3-32" dia	1	—	TB6/10
EA1.31.351	.	.	.	.	.	LEVER, stop, coupling arm attachment	1	DTD683	TB2/18
A25-5G	.	.	.	.	.	Attaching parts for EA1.31.351:— Bolt, 5-16" BSF	3	—	TB2/19
A27GT	.	.	.	.	.	Nut, 5-16" BSF	3	—	TB2/20
EA9.31.47	.	.	.	.	.	LEVER, COUPLING CONTROL, ASSEMBLY (MOD.2705) or (MOD.5097) Consisting of:—	1	—	TB2/31
EA1.31.275	.	.	.	.	.	BOLT, special stop	1	L40	TB2/32
EA9.31.45	.	.	.	.	.	LEVER, elevator, coupling (Mod.2705) or (Mod.5097) Spares for:—	1	—	TB2/33
SKEFCO CBA3	.	.	.	.	.	BEARING, ballrace for lever EA1.31.159	1	—	TB2/34
FAFNIR KSP6	.	.	.	.	.	BEARING, ballrace for lever EA9.31.45	1	—	TB2/34
A27JT	.	.	.	.	.	NUT, 3-8" BSF	1	—	TB2/30
A25-7E	.	.	.	.	.	Attaching parts for EA9.31.47:— Bolt, 1-4" BSF	4	—	TB2/35
A25-8E	.	.	.	.	.	Bolt, 1-4" BSF	5	—	TB2/36
A27EP	.	.	.	.	.	Nut, 1-4" BSF	9	—	TB2/37
A27JT	.	.	.	.	.	NUT, 3-8" BSF	1	—	TB2/39
EA1.31.363	.	.	.	.	.	PLUG, elevator, mechanism inspection	2	—	TB2/38
EA1.31.105	.	.	.	.	.	ROD, connecting, elevator tab gear	1	—	TB6/21
EA1.31.65	.	.	.	.	.	Attaching parts for EA1.31.105:— Bolt, special connecting rod bearing	1	—	TB6/22
A27CS	.	.	.	.	.	Nut, 2BA	1	—	TB6/23
SP90C5	.	.	.	.	.	Pin, split 1-16" dia	1	—	TB6/24
EEAS27-8-4	.	.	.	.	.	Shim, washer	1	—	TB6/25
SP15C	.	.	.	.	.	Washer	1	—	TB6/26
SP16C	.	.	.	.	.	Washer	1	—	TB6/27
EA3.00.5507	.	.	.	.	.	TAB, ELEVATOR, STARBOARD ASSEMBLY (Spares for EA3.31.5053) (Pre Mod.5344)	1	—	TB4/16
EA3.00.5733	.	.	.	.	.	TAB, ELEVATOR, STARBOARD ASSEMBLY (Spares for EA3.31.5053) (Mod.5344)	1	—	TB4/6

TAIL UNIT  
TAILPLANE AND ELEVATORS

Part Number	1 2 3 4 5 6	Description	No. Off	Mtl. Spec.	Plate No.
		Spares for:—			
EA3.31.53		ARM, support, balance weight	12	L40	TB4/3
		Attaching parts for EA3.31.53:—			
A29EP		Nut, ¼" BSF	1	—	TB4/4
EA1.31.269		Tube, distance	1	—	
SP15E		Washer	1	—	TB4/5
SP16E		Washer	1	—	TB4/6
EA1.31.50		FITTING, tab hinge, inter, inboard	1	L40	TB4/17
EA1.31.55		FITTING, tab hinge, inter, outboard	1	L40	TB4/18
EA3.31.23		FITTING, tab hinge, outboard end	1	—	TB4/10
EA1.31.499		FITTING, tab hinge, inboard end	1	—	TB4/19
EA1.31.61		PIN, special, tab bearing	3	S11	TB4/11
		Attaching parts for EA1.31.61:—			
A27ET		Nut, ¼" BSF	1	—	
EA1.31.267		PLATE, doubling (Alt. R60/73 Mod.5097)	6	—	
EA3.31.5055		PLATE, reinforcing (Alt. R60/73 Mod.5097)	6	—	
EA1.31.355		WEIGHT, balance inboard	2	—	TB4/20
EA1.31.353		WEIGHT, balance outboard	4	—	TB4/21
		Attaching parts for EA1.31.355 and EA1.31.353:—			
EA1.45.49		Bolt, special	2	S1	TB4/13
EA1.31.277		Shim, washer	1	—	TB4/14
R EA9.00.377		FAIRING, DETACHABLE, PORT, ASSEMBLY (Mod.1277)	1	—	TB7/1
		Spares for:—			
EA1.30.1107		PANEL, access	1	L72	TB7/3
		Attaching parts for EA1.30.1107:—			
A33B12		Screw, 4 BA	8	—	TB7/4
EA3.30.267		PLATE, insert (Mod.1277)	1	—	TB7/5
EA9.30.39		SEAL, spring (Mod.1277)	1	—	TB7/7
R EA9.00.378		FAIRING, DETACHABLE, STARBOARD, ASSEMBLY (Mod.1277)	1	—	TB7/2
		Spares for:—			
EA1.30.1107		PANEL, access	1	L72	TB7/3
		Attaching parts for EA1.30.1107:—			
A33B12		Screw, 4 BA	8	—	TB7/4
EA3.30.268		PLATE, insert (Mod.1277)	1	—	TB7/6
EA9.30.40		SEAL, spring (Mod.1277)	1	—	TB7/8
		Attaching parts for EA9.00.377 and EA9.00.378:—			
A25/3C		Bolt, 2 BA	2	—	TB7/9
A33C16		Screw, 2 BA	4	—	TB7/10

AP 101B-0402-3A

TAIL UNIT  
TAILPLANE AND ELEVATORS

Page TB.9

Part Number	Description	No. Off	Matl. Spec.	Plate No.						
					1	2	3	4	5	6
EA3.31.43	. LINK, connecting Attaching parts for EA3.31.43:	1	DTD683	TB6/28						
A25/14J	. Bolt, 3/8" BSF	1	—	TB6/29						
EA3.31.45	. Bolt, special	1	S95	TB6/1						
A27JS	. Nut, 3/8" BSF	2	—	TB6/30						
SP90C7	. Pin, split 1/16" dia	2	—	TB6/30A						
SP16J	. Washer	1	—	TB6/31						
EA1.31.165	. Washer	2	—	TB6/31A						
A27JT	. NUT, 3/8" BSF	1	—	TB6/34A						
A27JTL	. NUT, 3/8" BSF	1	—	TB6/34B						
A27NC	. NUT, 1/2" BSF	2	—	TB9/32						
A58ES	. NUT, 1/4" BSF	1	—	TB6/38						
SP90C7	. PIN, split 1/16" dia	1	—	TB6/39						
SP90E8	. PIN, split 3/32" dia	2	—	TB9/33						
EA3.31.49	. PLATE, locking for serrated brush Attaching parts for EA3.31.49:	1	S95	TB6/32						
A33C16	. Screw, 2BA	1	—	TB6/33						
R EK5.31.607	. ROD, end c/w ballrace, tab operating (Alt.R60/14—Mod.5097)	1	—	TB6/34						
R EB8.31.31	. SCREW, special	1	—	TB6/35						
EA3.00.1003	. TAILPLANE, ASSEMBLY (Pre Mod.5261)	1	—	TB7/35						
EA3.00.5521	. TAILPLANE, ASSEMBLY (Mod.5261)	1	—							
EA3.00.5519	. TAILPLANE, ASSEMBLY (This tailplane reworked to dwg EA3.03.267 will fit Canberra MK.2)	1	—							
	Spares for:									
EA9.30.9	. . . . . BLOCK	1	—	TB7/36						
EA9.30.10	. . . . . BLOCK	1	—	TB7/37						
EA9.30.11	. . . . . BLOCK	1	—	TB7/38						
EA9.30.12	. . . . . BLOCK	1	—	TB7/39						
EA9.30.17	. . . . . BLOCK	1	—	TB7/40						
EA9.30.18	. . . . . BLOCK	1	—	TB7/41						
EA9.30.19	. . . . . BLOCK	1	—	TB7/42						
EA9.30.20	. . . . . BLOCK	1	—	TB7/43						
EA9.30.13	. . . . . PACKING	1	—	TB7/44						
EA9.30.14	. . . . . PACKING	1	—	TB7/45						
EA9.30.15	. . . . . PACKING	1	—	TB7/46						
EA9.30.16	. . . . . PACKING	1	—	TB7/47						
EA9.30.21	. . . . . PACKING	1	—	TB7/48						
EA9.30.22	. . . . . PACKING	1	—	TB7/49						
EA9.30.23	. . . . . PACKING	1	—	TB7/50						
EA9.30.24	. . . . . PACKING	1	—	TB7/51						
EA3.30.265	. . . . . PLATE, insert	1	—	TB7/52						
EA3.30.266	. . . . . PLATE, insert	1	—	TB7/53						
EA9.30.35	. . . . . SEAL	1	—	TB7/54						
EA9.30.36	. . . . . SEAL, spring assembly	1	—	TB7/55						

## TAILPLANE AND ELEVATORS

Part Number	1 2 3 4 5 6	Description	No. Off	Matl. Spec.	Plate No.
EA1.30.1		. . . TAILPLANE ASSEMBLY (Pre Mod.5261)	1	—	TB7/11
EA3.30.431		. . . TAILPLANE, ASSEMBLY (Mod.5261)	1	—	
		Spares for:			
EA1.30.297		. . . BOLT, special mounting between main spar and tailplane structure, bottom, port and starboard (Mod.5261 Amdt. 1)	4	S95	TB7/12
EA3.30.459		. . . BOLT, special (Pre Mod.5261. Amdt.1)	4	—	
EA1.30.299		. . . BOLT, special mounting between main spar and tailplane structure, top port and starboard	4	S65	TB7/13
A25/10L		. . . BOLT, special jointing, at rib 1 to main spar bracket	4	—	TB7/14
EA1.30.323		. . . BOLT, special jointing, at rib 1 to main spar bracket	1	S11	TB7/15
EA3.30.409		. . . BOLT, special (Mod.5261 Amdt.1)	8	—	
EA3.30.461		. . . BOLT, special (Pre Mod.5261. Amdt.1)	8	—	
EA1.30.413		. . . BRACKET, TAILPLANE ACTUATOR CHANNEL ASSEMBLY	1	—	TB8/1
		Spares for:			
EA1.30.407		. . . . BLOCK, bearing	1	—	TB8/2
EA1.30.408		. . . . BLOCK, bearing	1	—	TB8/3
		Attaching parts for EA1.30.407 & EA1.30.408:			
EA1.30.379		. . . . Bolt, special 1/4" BSF	2	S65	TB8/4
A27EP		. . . . Nut, 1/4" BSF	2	—	TB8/5
SP16E		. . . . Washer	2	—	TB8/6
EA1.30.279		. . . . BUSH, bearing	2	S1	TB8/7
EA1.30.409		. . . . CHANNEL	1	—	TB8/7A
EA1.30.411		. . . . CHANNEL	1	—	TB8/7B
EA1.30.277		. . . . PIN, attachment	1	S11	TB8/8
SP90H10		. . . . PIN, split	1	—	TB8/8A
		Attaching parts for EA1.30.413:			
A25/7G		. . . . Bolt	4	—	
A27/GP		. . . . Nut	4	—	
EA1.30.5		. . . . EDGE, LEADING, TAILPLANE, PORT ASSEMBLY (Pre Mod.5261) (Supplied to drg. No. EA9.00.23 for spares purposes)	1	—	TB7/16
EA3.30.433		. . . . EDGE, LEADING, TAILPLANE, PORT ASSEMBLY (Mod.5261)	1	—	
		Spares for:			
R		. . . . RIB 3, FRONT ASSEMBLY (EA1.30.69)	—	—	
		Spares for:			
R		. . . . LUG, attachment (Mod. 4783)	1	S97	TB8/32
R		. . . . LUG, attachment (Mod. 4783)	1	S97	TB8/33
		Attaching parts for EA3.30.405 and EA3.30.406:			
R		. . . . Bolt	10	—	TB8/35
R		. . . . Nut	10	—	TB8/37
R		. . . . Washer	10	—	TB8/38

TAIL UNIT  
TAILPLANE AND ELEVATORS

Part Number	Description	No. Off	Mtl. Spec.	Plate No.
R EA1.30.6	. . . . . EDGE, LEADING, TAILPLANE STARBOARD ASSEMBLY (Pre Mod. 5261) (Supplied to drg, No. EA9.00.24 for spares purposes)	1	—	TB7/18
R EA3.30.434	. . . . . EDGE, LEADING, TAILPLANE STARBOARD ASSEMBLY (Mod. 5261)	1	—	
R —	. . . . . RIB 3, FRONT ASSEMBLY (EA1.30.69) Spares for:—	—	—	
R EA3.30.405	. . . . . LUG, attachment (Mod. 4783)	1	S97	TB8/32
R EA3.30.406	. . . . . LUG, attachment (Mod. 4783) Attaching parts for EA3.30.405 and EA3.30.406:—	1	S97	TB8/33
R A60/3G	. . . . . Bolt	10	—	TB8/35
R A58GT	. . . . . Nut	10	—	TB8/37
R SP124G	. . . . . Washer	10	—	TB8/38

TAIL UNIT  
TAILPLANE AND ELEVATORS

Part Number	Description 1 2 3 4 5 6	No. Off	Matl. Spec.	Plate No.

AP 101B-0402-3A

## TAIL UNIT

Page TB.11

## TAILPLANE AND ELEVATORS

Part Number	Description	No. Off	Mtl. Spec.	Plate No.
EA1.30.7	EDGE, TRAILING, TAILPLANE, PORT ASSEMBLY	1	—	TB8/9
EA1.30.49	Spares for: BRACKET, HINGE, ELEVATOR OUTBOARD ASSEMBLY	1	—	TB8/10
SKEFCO BAL½	Spares for: BALLRACE	1	BSS292	TB8/11
EA1.30.401	HOUSING, ballrace	1	DTD693	TB8/12
EEAS4/20G	WASHER, packing 20 SWG	1	L72	TB8/13
A25/4C	Attaching parts for EA1.30.49: Bolt, 2BA	2	—	TB8/14
AS1242/5E	Bolt, ¼" BSF	4	—	TB8/15
A27CP	Nut, 2BA	2	—	TB8/16
A27EP	Nut, ¼" BSF	4	—	TB8/17
EA1.30.257	Washer, packing	4	—	TB8/17A
EA1.30.117	BRACKET, HINGE, ELEVATOR, CENTRE PORT ASSEMBLY	1	—	TB8/18
SKEFCO BAL½	Consisting of: BALLRACE	1	BSS292	TB8/19
EA1.30.399	HOUSING, ballrace	1	DTD683	TB8/20
EA1.30.121	Attaching parts for EA1.30.117: Bolt, special	2	S.11	TB8/21
A27ES	Nut ¼" BSF	2	—	TB8/22
SP90C7	Pin split 1/16" dia	2	—	TB8/22A
EA1.30.383	CUP, sealing elevator lock recess	2	L40	TB8/23
EA3.30.407	RIB 3, REAR ASSEMBLY (EA1.30.93) Spares for: LUG, attachment (Mod.4783)	1	—	TB8/39
EA3.30.408	LUG, attachment (Mod.4783)	1	—	TB8/40
A60/4G	Attachments for EA3.30.407 and EA3.30.408: Bolt	10	—	TB8/41
A58GT	Nut	10	—	TB8/37
SP125G	Washer	10	—	TB8/42
EA1.30.8	EDGE, TRAILING, TAILPLANE STARBOARD ASSEMBLY	1	—	TB8/24
EA1.30.49	Spares for: BRACKET, HINGE, ELEVATOR, OUTBOARD ASSEMBLY	1	—	TB8/10
SKEFCO BAL½	Consisting of: BALLRACE	1	BSS292	TB8/11
EA1.30.401	HOUSING	1	DTD683	TB8/12
EEAS4/20G	WASHER, packing	1	L72	TB8/13
A25/4C	Attaching parts for EA1.30.49: Bolt, 2BA	2	—	TB8/14
AS1242/5E	Bolt, ¼" BSF	4	—	TB8/15
A27CP	Nut 2BA	2	—	TB8/16
A27EP	Nut ¼" BSF	4	—	TB8/17
EA1.30.257	Washer	4	—	TB8/17A

R

TAIL UNIT  
TAILPLANE AND ELEVATORS

Part Number	Description	No. Off	Matl. Spec.	Plate No.					
				1	2	3	4	5	6
EA1.30.117	BRACKET, HINGE, ELEVATOR CENTRE STARBOARD C/W BALLRACE ASSEMBLY Consisting of:	1	-						TB8/18
SKEFCO BAL½	BALLRACE	1	BSS292						TB8/19
EA1.30.399	HOUSING, ballrace Attaching parts for EA1.30.117:	1	DTD683						TB8/20
EA1.30.121	Bolt, special	2	S11						TB8/21
A27ES	Nut, ¼" BSF	2	-						TB8/22
S90C7	Pin split 1/16" dia	2	-						TB8/22A
EA1.30.315	BRACKET, operating tab Attaching parts for EA1.30.315:	1	-						TB9/1
EA1.30.313	Bolt special	2	S11						TB9/2
A27ES	Nut, ¼" BSF	2	-						TB9/3
SP90C7	Pin, split 1/16" dia	2	-						TB9/3A
EA1.30.291	BRACKET, stop, elevator lever Attaching parts for EA1.30.291:	1	-						TB9/4
AS1242/3C	Bolt, 2BA	4	-						TB9/5
AGS2001C1/66	Nut, 2BA	4	-						TB9/6
SP16C	Washer	4	-						TB9/7
EA1.30.293	BRACKET, stop, elevator, upper Attaching parts for EA1.30.293:	1	-						TB9/8
AS1246/3C	Bolt, 2BA	4	-						TB9/9
AGS2001C1/66	Nut, 2BA	4	-						TB9/10
SP16C	Washer	4	-						TB9/11
EA1.30.383	CUP, sealing elevator lock recess	2	L40						TB8/23
EA1.30.93	RIB 3, REAR Spares for:	1	-						
EA3.30.407	LUG, attachment rib 3, trailing edge (Mod. 4783)	1	-						TB8/39
EA3.30.408	LUG, attachment rib 3, trailing edge (Mod. 4783) Attaching parts for EA3.30.407 and EA3.30.408:	1	-						TB8/40
A60/4G	Bolt	10	-						TB8/41
A58GT	Nut	10	-						TB8/37
SP125G	Washer	10	-						TB8/42
EA1.30.389	FAIRING, assembly, port	1	-						TB8/28
EA1.30.390	FAIRING, assembly, starboard Attaching parts for EA1.30.389 & EA1.30.390:	1	-						TB8/29
No12Cx1½"	Screw, self tapping type Z.4100	8	-						TB8/30
EA1.30.393	Washer plate	8	-						TB8/31
EA1.31.307	HOUSING, BEARING, CENTRE CONTROL, PORT ASSEMBLY (Pre Mod.5261)	1	-						TB9/12
EK5.31.603	HOUSING, BEARING, CENTRE CONTROL PORT ASSEMBLY (Alt.P60/13 - Mod.5097) or (Mod.5261) Consisting of:	1	-						
SKEFCO CBA5	BALLRACE	1	-						TB9/13
AGS2030/57	CIRCLIP, internal 50 m/m	1	-						TB9/14
EA1.31.45	HOUSING, bearing (Pre Mod.5261)	1	-						TB9/15
EK5.31.605	HOUSING, bearing (Alt.R60/13 -Mod.5097) or or (Mod.5261) Attaching parts for EA1.31.307 or EK5.31.603:	1	-						
A25/4G	Bolt, 5/16" BSF	3	-						TB9/16
A27GS	Nut, 5/16" BSG	3	-						TB9/17
SP90C7	Pin split 1/16" dia	3	-						TB9/17A

AP 101B-0402-3A

TAIL UNIT

Page TB.13

## TAILPLANE AND ELEVATORS

Part Number	Description	No. Off	Matl. Spec.	Plate No.
R EA1.31.308	. . . . HOUSING, BEARING, CENTRE CONTROL STARBOARD ASSEMBLY (Pre Mod.5261)	1	—	TB9/18
EK5.31.604	. . . . HOUSING, BEARING, CENTRE CONTROL, STARBOARD ASSEMBLY (Alt R60/13 - Mod.5097) or (Mod.5261) Consisting of:	1	—	
SKEFCO CBA5	. . . . BALLRACE	1	—	TB9/13
AGS2030/57	. . . . CIRCLIP, internal 50 m/m	1	—	TB9/14
R EA1.31.46	. . . . HOUSING (Pre Mod. 5261)	1	—	TB9/19
EK5.31.606	. . . . HOUSING, bearing (Alt R60/13 - Mod.5097) or (Mod.5261)	1	—	
	Attaching parts for EA1.31.308 or EK5.31.604:			
A25/4G	. . . . Bolt, 5/16" BSF	3	—	TB9/16
A27GS	. . . . Nut, 5/16" BSF	3	—	TB9/17
SP90C7	. . . . Pin, split 1/16" dia	3	—	TB9/17A
AGS759G	. . . . NUT, 7/16" BSF (Pre Mod.5261)	8	LA	TB7/32
A27LP	. . . . NUT, 7/16" BSF (Mod.5261)	8	—	
AGS759H	. . . . NUT, 1/2" BSF (Pre Mod.5261)	4	LA	TB7/33
A27NP	. . . . NUT 1/2" BSF (Mod.5261)	4	—	
AGS759J	. . . . NUT, 9/16" BSF (Pre Mod 5261)	4	LA	TB7/34
A27PP	. . . . NUT, 9/10" BSF (Mod.5261)	4	—	
A27GP	. . . . NUT, 5/16" BSF	8	—	TB8/36
EEAS65	. . . . PLATE, serial record	1	—	TB8/25
EA1.30.33	. . . . SPAR, MAIN TAILPLANE CENTRE SECTION ASSEMBLY	1	—	TB7/20
	Spares for:			
EA3.30.145	. . . . BUSH, hinge	4	S99	TB7/21
EA1.30.263	. . . . FORK, bottom	2	S65	TB7/22
EA1.30.265	. . . . FORK, top	2	S65	TB7/23
EA1.30.267	. . . . SHIM,	4	Alum	TB7/24
EEAS28/15JR	. . . . WASHER 10SWG	8	L72	TB7/25
EEAS28/34JR	. . . . WASHER	4	L72	TB7/26
EEAS28/38JR	. . . . WASHER	4	L72	TB7/27
SP16N	. . . . WASHER	4	LA	TB7/28
SP16P	. . . . WASHER	4	LA	TB7/29
SP16Q	. . . . WASHER	4	LA	TB7/30
SP16S	. . . . WASHER	4	LA	TB7/31
SP124G	. . . . WASHER	8	—	TB8/38

TAIL UNIT  
TAILPLANE AND ELEVATORS

Part Number	Description	No. Off	Matl. Spec.	Plate No.
R EB6.30.21	. TAPPET, MICRO SWITCH, TAILPLANE TRAVEL LIMIT, ASSEMBLY (Mod.5229) Consisting of:—	1	—	TB9/18A
R EB6.30.25	. . BODY, tappet (Mod.5229)	1	—	TB9/19A
EA1.30.371	. . COLLAR	1	L56	TB9/20
R EB6.30.23	. . PIN, tappet (Mod.5229)	1	—	TB9/21
AGS502/1	. . PIN, taper	1	LA	TB9/22
R EB6.30.27	. . SPRING, compression (Mod.5229)	1	—	TP9/23
R	Attaching parts for EB6.30.21:—			
A27JT	. Nut, 3/8" BSF	1	—	TB9/24
EA3.30.269	. TAPPET, MICRO SWITCH, TAILPLANE TRAVEL LIMIT, ASSEMBLY Consisting of:—	1	—	TB9/25
EA1.30.367	. . BODY, tappet	1	L40	TB9/26
EA1.30.371	. . COLLAR	1	L56	TB9/27
EA3.30.277	. . Pin, tappet	1	L64	TB9/28
EA1.30.369	. . SPRING, compression	1	DTD215	TB9/29
R	Attaching parts for EA3.30.269:—			
A27JT	. Nut, 3/8" BSF	1	—	TB9/30
EA1.31.361	. WASHER, special	2	L72	TB9/31
SP124E	. WASHER (Mod.5097)	2	—	TB6/36
SP125D	. WASHER (Mod.5097)	1	—	TB6/37

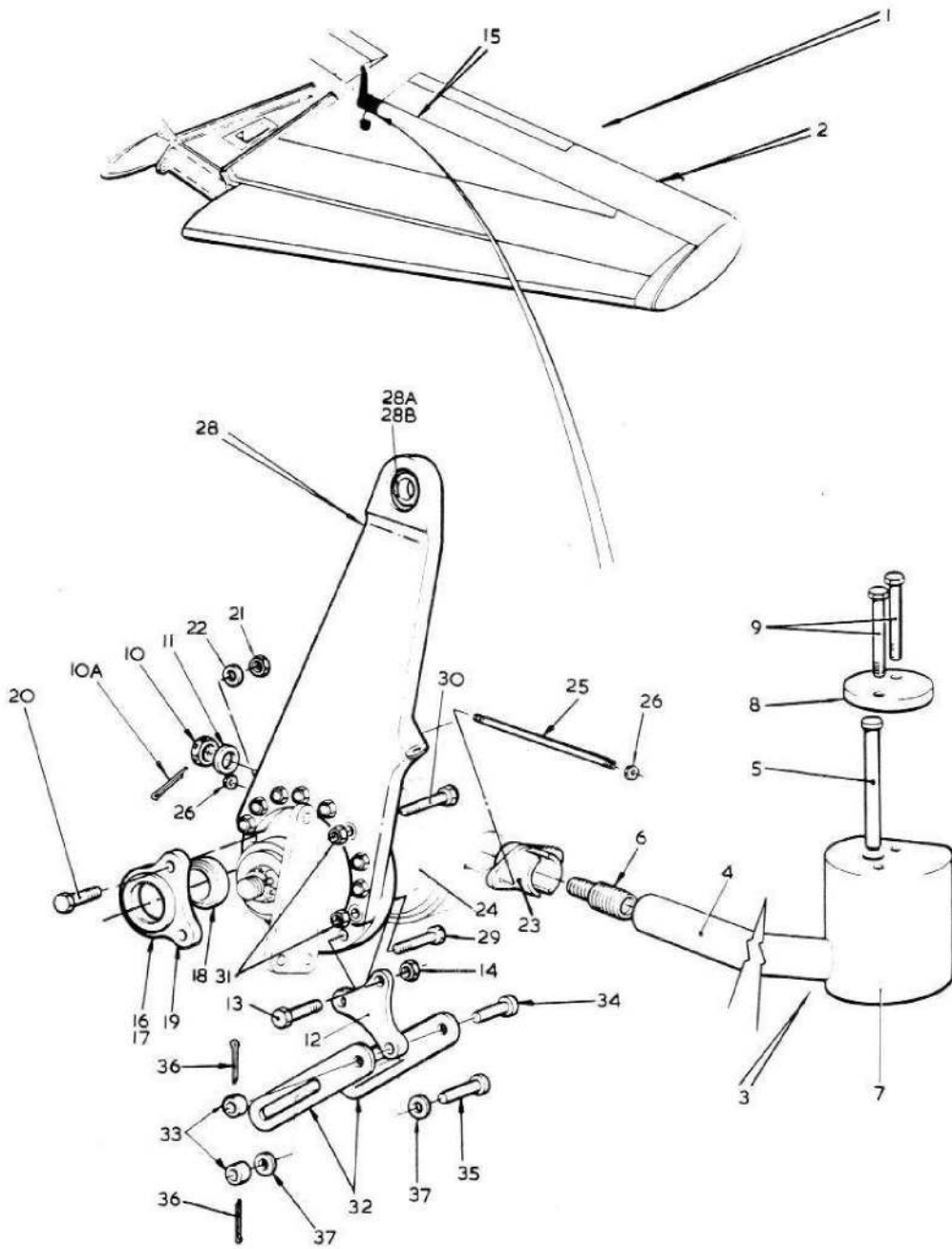


FIG.1 TAIL UNIT

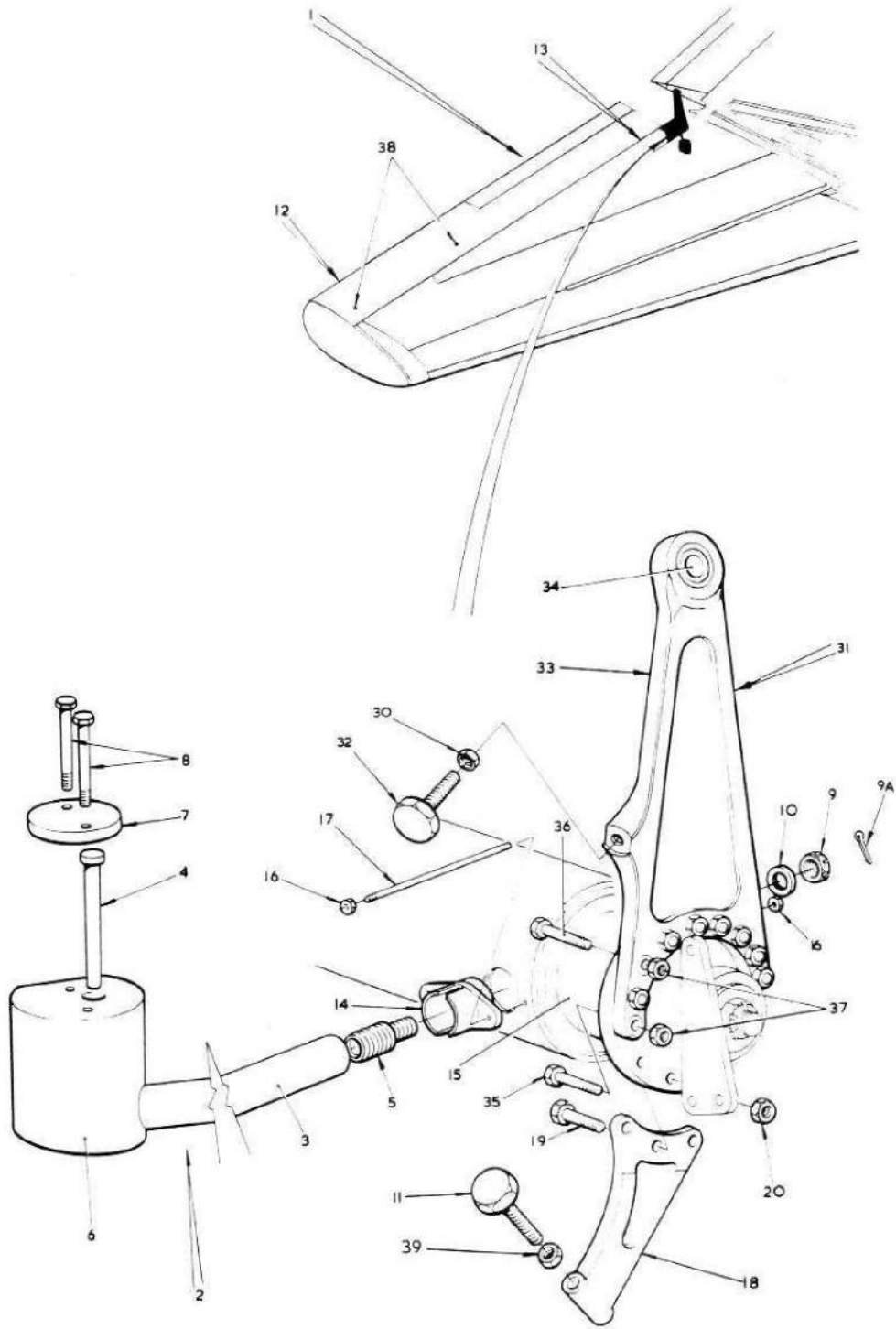


FIG 2 TAIL UNIT

CODE RS

SECT TB



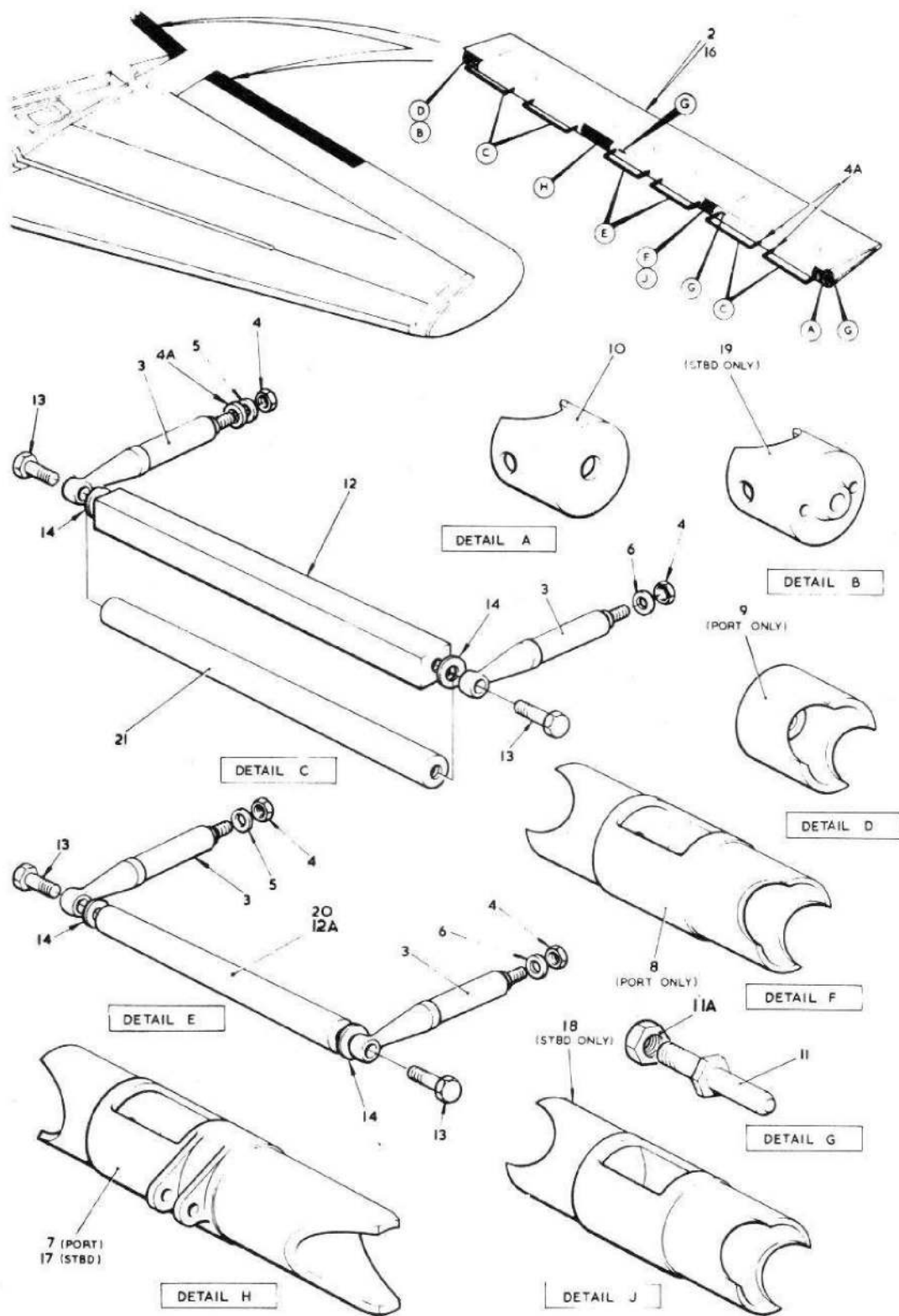


FIG.4 TAIL UNIT

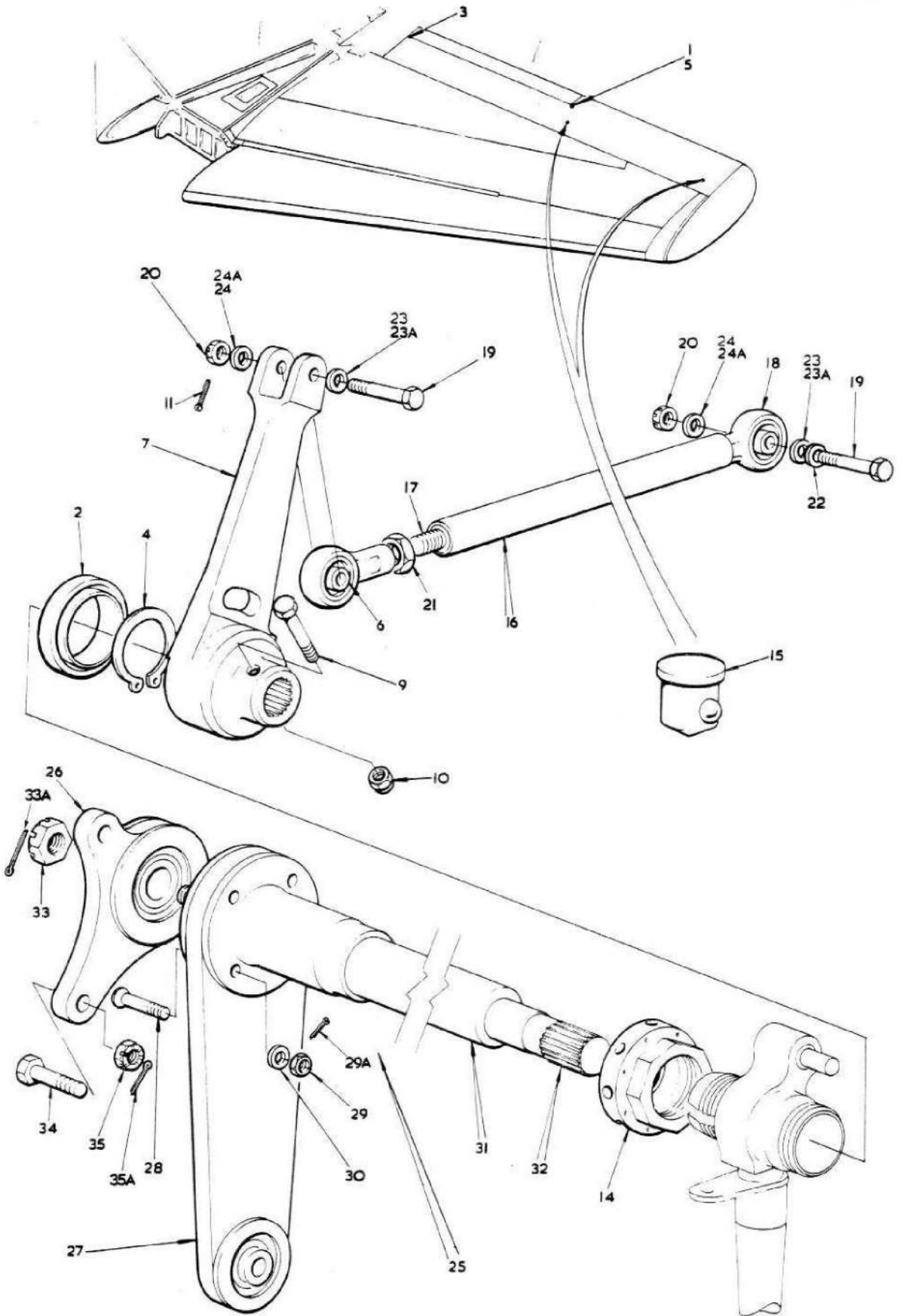


FIG 5 TAIL UNIT

CODE R

SECT T8

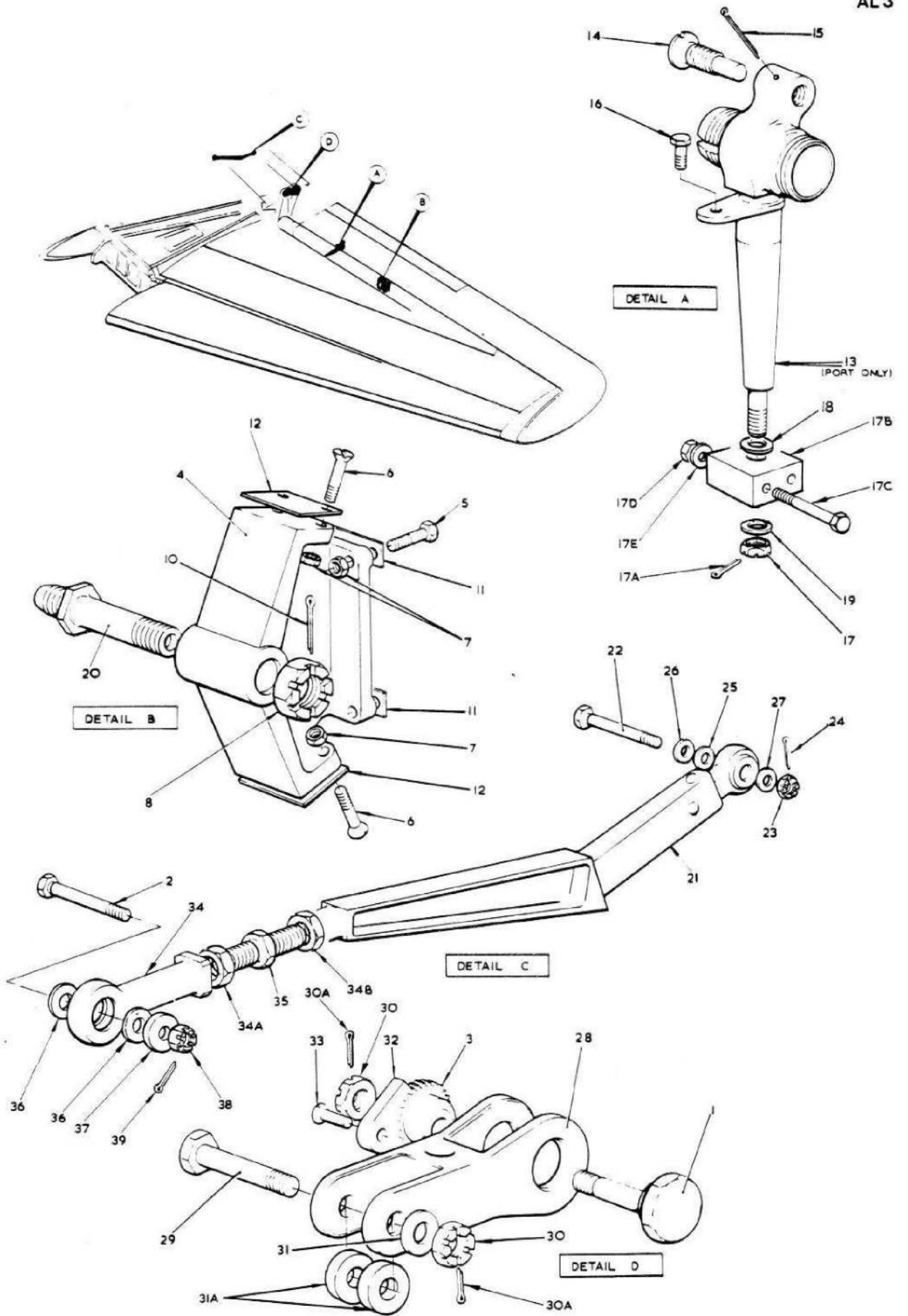


FIG 6 TAIL UNIT

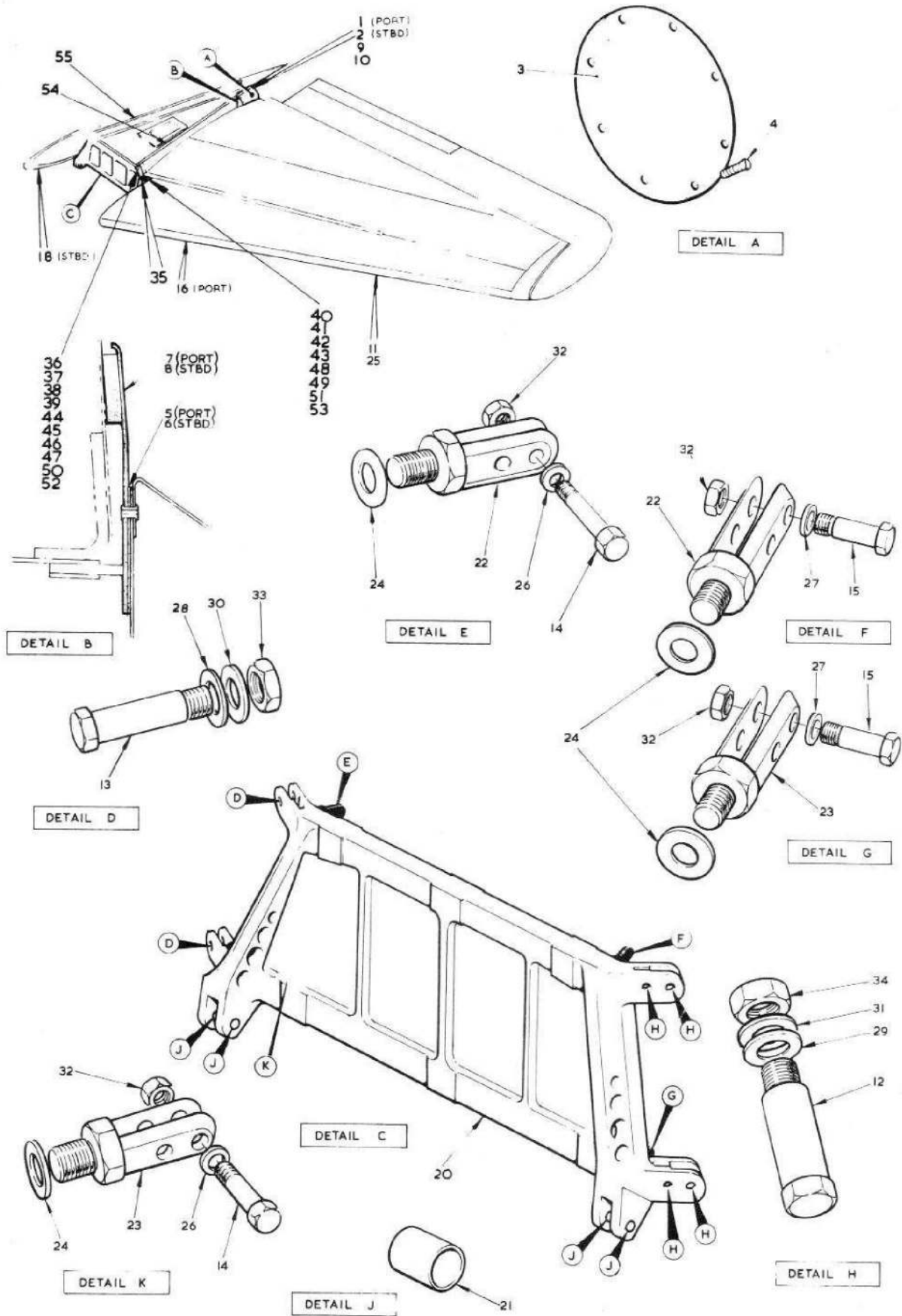


FIG7 TAILPLANE AND ELEVATORS

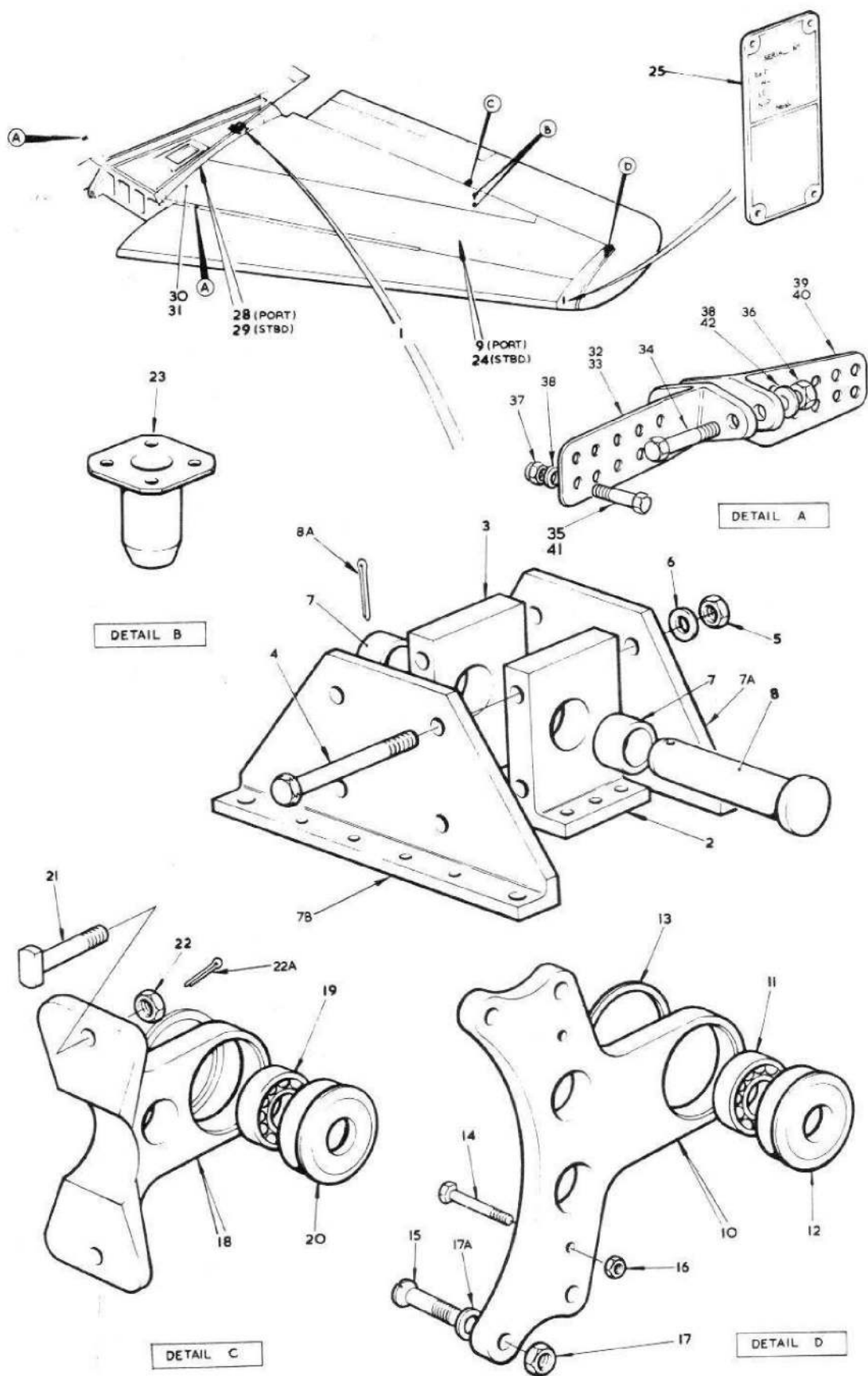


FIG 8 TAILPLANE AND ELEVATORS

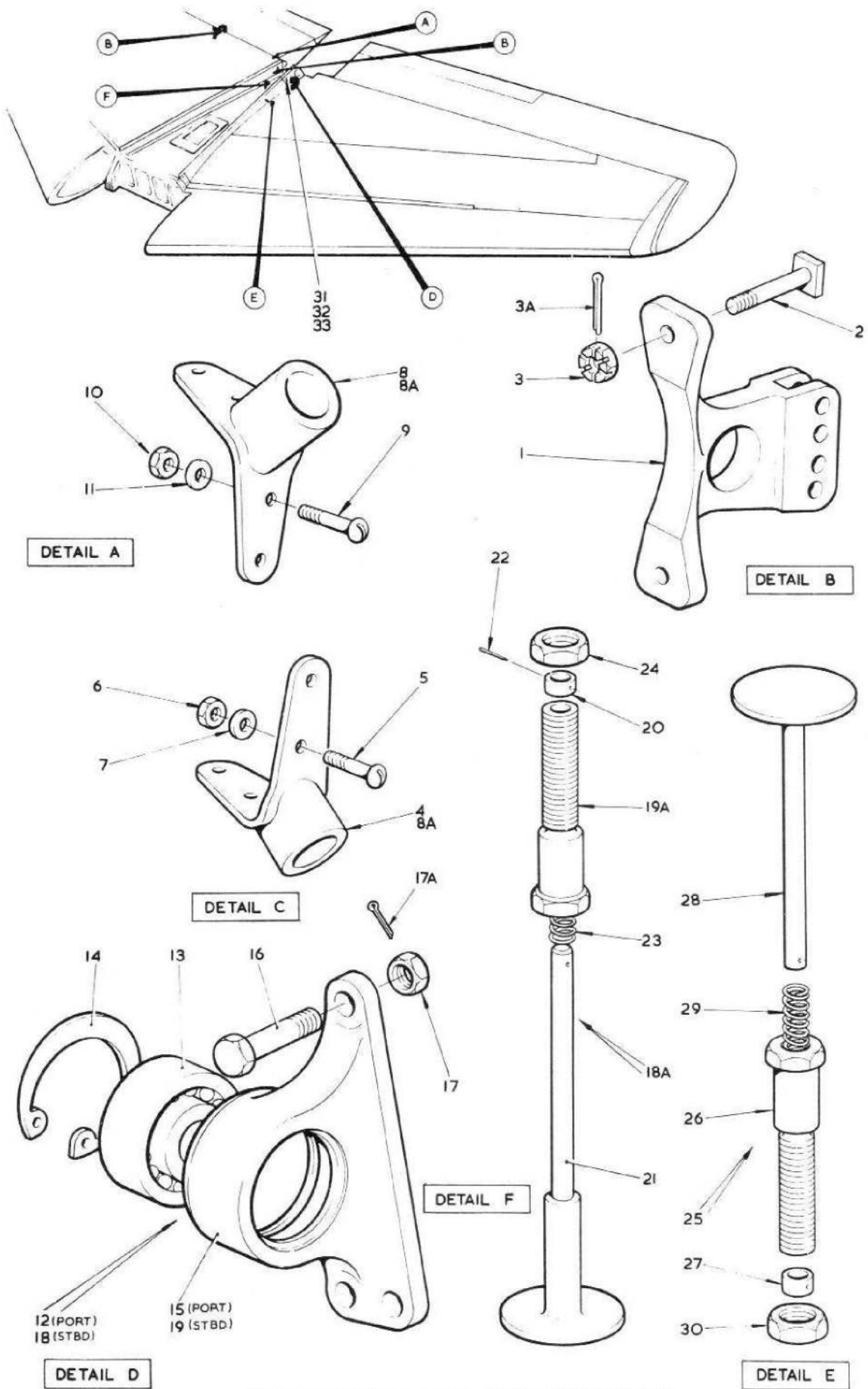


FIG 9 TAILPLANE AND ELEVATORS

This file was downloaded  
from the RTFM Library.

Link: [www.scottbouch.com/rtfm](http://www.scottbouch.com/rtfm)

Please see site for usage terms,  
and more aircraft documents.

