

TANKS
VENTRAL TANK

Part Number	Description	No. Off						Matl. Spec.	Plate No.
		1	2	3	4	5	6		
EA3.56.453	TANK, VENTRAL, FUEL, CENTRE FUSELAGE, AFT POSITION INSTALLATION (MOD. 432-S.O.O.) Spares for:—							—	—
EA3.56.221	TANK, FUEL, 300 GALLON, INSTALLATION Spares for:—							—	—
EA3.56.261	BRACKET AND STRAP, ASSEMBLY Spares for:—							4	—
EA3.56.361	BRACKET, sub-assembly							1	—
EA3.56.363	STRAP, tank Attaching parts for EA3.56.361 & EA3.56.363:—							1	—
A25/47N	Bolt, ½" BSF (Make from A25/48N)							1	—
EA3.56.465	Bush							2	—
EA3.56.467	Link-plate							2	—
A27NS	Nut, slotted, ½" BSF							1	—
EA3.56.463	Tube, distance							1	—
SP13N	Washer							2	—
	Attaching parts for EA3.56.261:—								
A25/38½J	Bolt, 3/8" BSF (Make from A25/39J)							1	—
A25/38½L	Bolt, 7/16" BSF (Make from A25/39L)							1	—
A27JS	Nut, slotted, 3/8" BSF							1	—
A27LS	Nut, slotted, 7/16" BSF							1	—
SP90C7	Pin, split							1	—
SP90E8	Pin, split							2	—
SP13J	Washer							2	—
SP13L	Washer							2	—
AGS1661/E or AS4525/16 AGS605/1 EEAS164/16/25	CLIP, bonding CLIP, hose							4	—
EA3.56.245	HOSE, rubber, 1" i/d x 2.5" long, vent pipe							2	DTD625
	MESH, brass gauge, 40 x 30 SWG, cadmium plated							QR	—
EA3.56.247	PIPE, assembly, fuel, from non-return valve to fuel cock, starboard side							1	L54 or L56
EA3.56.249	PIPE, assembly, fuel, from non-return valve to fuel cock, port side							1	L54 or L56
EA3.56.251	PIPE, assembly, venting, from pipe elbow joint to No. 3 fuel tank junction pipe							1	L56
EA3.56.251	PIPE, elbow, venting, 1" o/d x 20 SWG							1	L56
EEAS66/3	RING, clamping							4	L56
EA3.56.45	SCREW, trunnion							2	S95
	STRIP, bonding, ¼" wide x 22 SWG							QR	Copper
EA3.56.243	TANK, ASSEMBLY Spares for:—							1	—
EA3.81.2689/2	CABLE ASSEMBLY, CS.3 from aft fuel pump to suppressor							1	—
EA3.81.2691/2	CABLE ASSEMBLY, CS.4, from forward fuel pump to suppressor							1	—
EA3.81.2527/2	CABLE ASSEMBLY, CS.2A, from suppressor to plug bracket							1	—

TANKS
VENTRAL TANK

Part Number	1 2 3 4 5 6	Description	No. Off	Matl. Spec.	Plate No.
AS2398		... CAP, filler assembly	1	—	UB1/18
		Attaching parts for AS2398:—			
AGS2001/C/1/66		... Nut, stiff, 2BA	12	—	UB1/19
EA3.56.291		... Ring, sealing	1	—	UB1/20
SP15/C		... Washer, 2BA	12	—	UB1/21
EA3.56.119		... CARTRIDGE, moisture absorber	1	—	UB1/22
EA3.56.107		... CLIP, fuel pipe	2	L72	UB2/11
		Attaching parts for EA3.56.107:—			
A25/2C		... Bolt, 2BA	2	—	UB2/12
SP13C		... Washer, 2BA	2	—	UB2/13
AGS1104/B		... CONE, adaptor, for drain pipes	2	—	UB2/14
EA3.56.171		... CONTAINER, cartridge	1	L59	UB1/23
		Attaching parts for EA3.56.171:—			
A25/3C		... Bolt, 2BA	10	—	UB1/24
EA3.56.117		... Ring, sealing	2	Neo-K-Tex	UB1/25
DOWTY					
SP815/2		... Seal	10	—	UB1/26
EA3.56.81		... COVER, access, tank end	2	L72	UB1/27
		Attaching parts for EA3.56.81:—			
AGS2001/C/1/66		... Nut, stiff, 2BA	14	—	UB1/28
EA3.56.83		... Ring, sealing	2	Neo-K-Tex	UB1/29
SP15C		... Washer, 2BA	14	—	UB1/30
AGS1142J		... NIPPLE, adaptor	2	—	UB2/15
EA3.56.283		... PIPE, assembly, from port non-return valve to aft fuel pump	1	L56	UB2/16
EA3.56.285		... PIPE, assembly, from starboard non-return valve to forward fuel pump	1	L56	UB2/17
EA3.56.433		... PIPE, drain	2	L56	UB2/18
SELF PRIMING ENG. SPE.1003Mk.4		... PUMP, fuel	2	—	UB2/19
		Attaching parts for SPE.1003Mk.4:—			
AGS2001/C/1/66		... Nut, stiff, 2BA	14	—	UB2/20
EA3.56.83		... Ring, sealing	1	Neo-K-Tex	UB2/21
SP15C		... Washer	14	—	UB2/22
EA3.56.477		... SUMP, tank, assembly	1	—	UB1/31
		Attaching parts for EA3.56.477:—			
A25/4C		... Bolt, 2BA	34	—	UB1/32
DOWTY					
SP815/2		... Seal	34	—	UB1/33
EA3.56.479		... Seal, tank, sump	1	Neo-K-Tex	UB1/34
SP15C		... Washer	34	—	UB1/35

AP 101B-0402-3A

TANKS
VENTRAL TANK

Part Number	Description	No. Off	Matl. Spec.	Plate No.
TYPE 'O' No.2	. . . SUPPRESSOR, type O, No.2	2	—	UB2/23
A39/B20	. . . Attaching parts for TYPE 'O' No.2:— . . . Screw, 4BA	4	—	UB2/24
AGS1105J	. . . UNION	2	—	UB2/19B
AS2573	. . . VALVE, drain, assembly . . . Attaching parts for AS2573:	1	—	UB1/36
AGS2001/C/1/66	. . . Nut, stiff, 2BA	8	—	UB1/37
SP15C	. . . Washer	8	—	UB1/38
AS410	. . . Washer, sealing	1	Neo-K-Tex	UB1/39
K.A.C. LTD				
AS4760	. . . VALVE, drain, water sediment	1	—	UB1/40
AGS568J	. . . WASHER, jointing	2	—	UB2/19A
EA3.56.47	. . . TRUNNION, strap, R.H.	2	S95	UB1/41
EA3.56.49	. . . TRUNNION, strap L.H.	2	S95	UB1/42
SPE.2706	. . . VALVE, non-return, type P24A Mk.3 (Mod.2690)	2	—	UB2/25
EA3.57.5041	TANK, 300 GALLON, FUEL, CENTRE FUSELAGE, FORWARD POSITION, INSTALLATION (Mod.3757-S.O.O.)	—	—	
	Spares for:			
EA3.57.5043	. FUEL AND VENT SYSTEM	—	—	UB3/5
	Spares for:			
EA3.57.5047	. . . BUNG, blanking, for fuel pipes when tank is not fitted	2	—	UB3/11
EEAS143/26H	. . . CLIP, pipe, vent, bonding	13	—	UB3/12
AS4525/20	. . . CLIP, pipe, fuel, bonding	4	—	UB3/13
EA3.57.5045	. . . CLIP, pipe, fuel . . . Attaching parts for EA3.57.5045:	13	L72	UB3/14
A25/4C	. . . Bolt, 2BA	2	—	UB3/15
AGS2001C1-66	. . . Nut, 2BA	2	—	UB3/16
EA3.57.5055	. . . Packing	AR	BS2572	UB3/17
SP15C	. . . Washer	2	—	UB3/18
EA3.57.5049	. . . FAIRLEAD, at floor girder 19	1	BS2572	UB3/19
EA3.57.5051	. . . FAIRLEAD, at floor girder 20 . . . Attaching parts for EA3.57.5049 and EA3.57.5051:	1	BS2572	UB3/20
A25/10C	. . . Bolt, 2BA	2	—	UB3/21
AGS2001/C/1/66	. . . Nut, 2BA	2	—	UB3/22
SP15C	. . . Washer	2	—	UB3/23
EA3.57.5053	. . . FAIRLEAD, at floor girder 21 . . . Attaching parts for EA3.57.5053:	2	BS2572	UB3/24
A25/9C	. . . Bolt, 2BA	2	—	UB3/25
SP47C	. . . Washer, 2BA	2	—	UB3/27

TANKS
VENTRAL TANK

Part Number	Description	No. Off	Matl. Spec.	Plate No.
EEAS164/16/25	HOSE, rubber 1" i/d x 2.5" long, vent pipe	3	BSF67 Type 1	UB3/28
EEAS166/20/30	HOSE, rubber, 1 1/4" i/d x 3" long, fuel pipe (Make from Ref.32C/1275041)	2	BSF67 Type 1	UB3/29
AS3360/C5C	LEAD, bonding	3	—	UB3/30
AS3360/C6C	LEAD, bonding	2	—	UB3/31
AGS1142/J	NIPPLE, adaptor	2	—	UB3/32
AGS2120/H	NIPPLE	1	—	UB3/33
AGS2120/J	NIPPLE	2	—	UB3/34
EA3.57.5061	PIPE, assembly, fuel from hose connection at frame 19 to coupling between frames 21 and 22, starboard	1	L54 or L56	UB3/35
EA3.57.5063	PIPE, assembly, fuel, from coupling between frames 21 and 22 to coupling at fuel valve, starboard	1	L54 or L56	UB3/36
EA3.57.5065	PIPE, assembly, fuel, from coupling at fuel valve to coupling at frame 22, port	1	L54 or L56	UB3/37
EA3.57.5067	PIPE, assembly, fuel, from coupling at frame 22 to connection at frame 19, port	1	L54 or L56	UB3/38
EA3 57.5069	PIPE, assembly, vent, from floor hose connection aft of frame 27 to hose connection forward of frame 27, 1" o/d x 20 SWG	1	L54 or L56	UB3/39
EA3.57.5073	PIPE, assembly, vent between hose connections forward of frame 22 and aft of frame 26, 1" o/d x 20 SWG	1	L54 or L56	UB3/40
EA3.57.5075	PIPE, assembly, vent, from floor hose connection aft of frame 27 to coupling at branch pipe	1	L54 or L56	UB3/43
EA3.57.5079	PIPE, assembly, vent inlet to vent valve	1	L54	UB3/44
AGS1143/H	PLUG, cone, for blanking off vent pipe when tank is not fitted	1	—	UB3/45
EEAS66/3	RING, clamping, vent pipe hose clips	6	L72	UB3/46
EEAS66/5	RING, clamping, fuel pipe hose clips	4	L72	UB3/47
EEAS21/9	WASHER, for bonding clips	10	—	UB3/48

TANKS
VENTRAL TANK

Part Number	Description	No. Off	Matl. Spec.	Plate No.
R EA3.56.697	TANK, 300 GALLON, INSTALLATION Spares for:—	—	—	UB4/1
R EA3.56.261	BRACKET AND STRAP ASSEMBLY Spares for:—	4	—	UB4/2
R EA3.56.361	BRACKET, sub-assembly	1	—	UB4/3
R EA3.56.363	STRAP, tank	1	—	UB4/4
R A59/47N	Attaching parts for EA3.56.361 and EA3.56.363:— Bolt, ½" BSF (Make from A25/48N)	1	—	UB4/5
R EA3.56.465	Bush	2	—	UB4/6
R EA3.56.467	Link-plate	2	—	UB4/7
R A27NS	Nut, slotted, ½" BSF	1	—	UB4/8
R EA3.56.463	Tube, distance	1	—	UB4/9
R SP13N	Washer	2	—	UB4/10
R A25/38½J	Attaching parts for EA3.56.261:— Bolt, 3/8" BSF (Make from A25/39J)	1	—	UB4/11
R A25/38½L	Bolt, 7/16" BSF (Make from A25/39L)	1	—	UB4/12
R A27/JS	Nut, slotted, 3/8" BSF	1	—	UB4/13
R A27/LS	Nut, slotted, 7/16" BSF	1	—	UB4/14
R SP90C7	Pin, split	1	—	UB4/15A
R SP90E8	Pin, split	2	—	UB4/16A
R SP13J	Washer	2	—	UB4/15
R SP13L	Washer	2	—	UB4/16
SP144/028	CLIP, hose	2	—	UB3/25A
EEAS143/26H	CLIP, pipe, vent, bonding Attaching parts for EEAS143/26H:—	2	—	UB3/26
A25/1C	Bolt, 2BA	1	—	UB3/26A
A27/CP	Nut, 2BA	1	—	UB3/26B
EEAS21/9/H	Washer	1	—	UB3/26C
SP47/C	Washer, spring	1	—	UB3/26D
EEAS164/16/25	HOSE, rubber, 1" x 2.5" long, vent pipe	1	BSF67 Type 1	UB3/1
AS3360/C5C	LEAD, bonding	1	—	UB3/2A
EA3.57.5057	PIPE, assembly, fuel, from hose connection at frame 19 to non-return valve, port	1	L54 or L56	UB3/2
EA3.57.5059	PIPE, assembly, fuel, from hose connection at frame 19 to non-return valve, starboard	1	L54 or L56	UB3/3
EA3.57.5071	PIPE, assembly, vent, from tank vent pipe hose connection to connection at frame 22, 1" o/d x 20 SWG	1	L54 or L56	UB3/4
R EEAS66/3	RING, clamping, vent pipe hose clips	2	L72	UB3/6
R EA3.56.45	SCREW, trunnion	2	S95	UB4/17
EA3.56.243	TANK, ASSEMBLY Spares for:—	1	—	UB3/7
EA3.81.2689/2	CABLE, ASSEMBLY, CS3, from aft fuel pump to suppressor	1	—	UB3/8
EA3.81.2691/2	CABLE ASSEMBLY, CS4, from forward fuel pump to suppressor	1	—	UB3/9
EA3.81.6027	CABLE ASSEMBLY, CS2A, from suppressor to plug bracket (Mod. 3757-S.O.O.)	1	—	UB3/10

TANKS
VENTRAL TANK

Part Number	Description						No. Off	Matl. Spec.	Plate No.
	1	2	3	4	5	6			
R AS2398	x	x	x				1	—	UB4/18
R AGS2001/C/1/66	x	x	x				12	—	UB4/19
R EA3.56.291	x	x	x				1	—	UB4/20
R SP15C	x	x	x				12	—	UB4/21
R EA3.56.119	x	x	x				1	—	UB4/22
R EA3.56.107	x	x	x				2	L72	UB2/11
A25/2C	x	x	x				2	—	UB2/12
R SP13C	x	x	x				2	—	UB2/13
AGS1104B	x	x	x				2	—	UB2/14
R EA3.56.171	x	x	x				1	L59	UB4/23
R A25/3C	x	x	x				10	—	UB4/24
R EA3.56.117	x	x	x				2	Neo-K-Tex	UB4/25
DOWTY									
R SP815/2	x	x	x				10	—	UB4/26
R EA3.56.81	x	x	x				2	L72	UB4/27
R AGS2001/C/1/66	x	x	x				14	—	UB4/28
R EA3.56.83	x	x	x				2	Neo-K-Tex	UB4/29
R SP15C	x	x	x				14	—	UB4/30
AGS1142J	x	x	x				2	—	UB2/15
EA3.56.283	x	x	x				1	L56	UB2/16
EA3.56.285	x	x	x				1	L56	UB2/17
EA3.56.443	x	x	x				2	L56	UB2/18
SELF PRIMING ENG. SPE.1003 Mk.4									
							2	—	UB2/19
AGS2001/C/1/66	x	x	x				14	—	UB2/20
EA3.56.83	x	x	x				1	Neo-K-Tex	UB2/21
R SP15C	x	x	x				14	—	UB2/22

TANKS
VENTRAL TANK

Part Number	Description						No. Off	Matl. Spec.	Plate No.
	1	2	3	4	5	6			
EA3.56.477	.	.	.				1	-	UB4/31
A25/4C	.	.	.				34	-	UB4/32
DOWTY	.	.	.						
SP815/2	.	.	.				34	-	UB4/33
EA3.56.479	.	.	.				1	Neo-K-Tex	UB4/34
SP15C	.	.	.				34	-	UB4/35
EL26317	.	.	.				2	-	UB2/23
A39/B20	.	.	.				4	-	UB2/24
A1105/J	.	.	.				2	-	UB2/19B
AS2573	.	.	.				1	-	UB4/36
AGS2001/C/1/66	.	.	.				8	-	UB4/37
SP15C	.	.	.				8	-	UB4/38
AS410	.	.	.				1	Neo-K-Tex	UB4/39
K.A.C. LTD.	.	.	.						
C3191	.	.	.				1	-	UB4/40
AGS568J	.	.	.				2	-	UB2/19A
EA3.56.47	.	.	.				2	S95	UB4/41
EA3.56.49	.	.	.				2	S95	UB4/42
SPE.2706	.	.	.				2	-	UB2/25

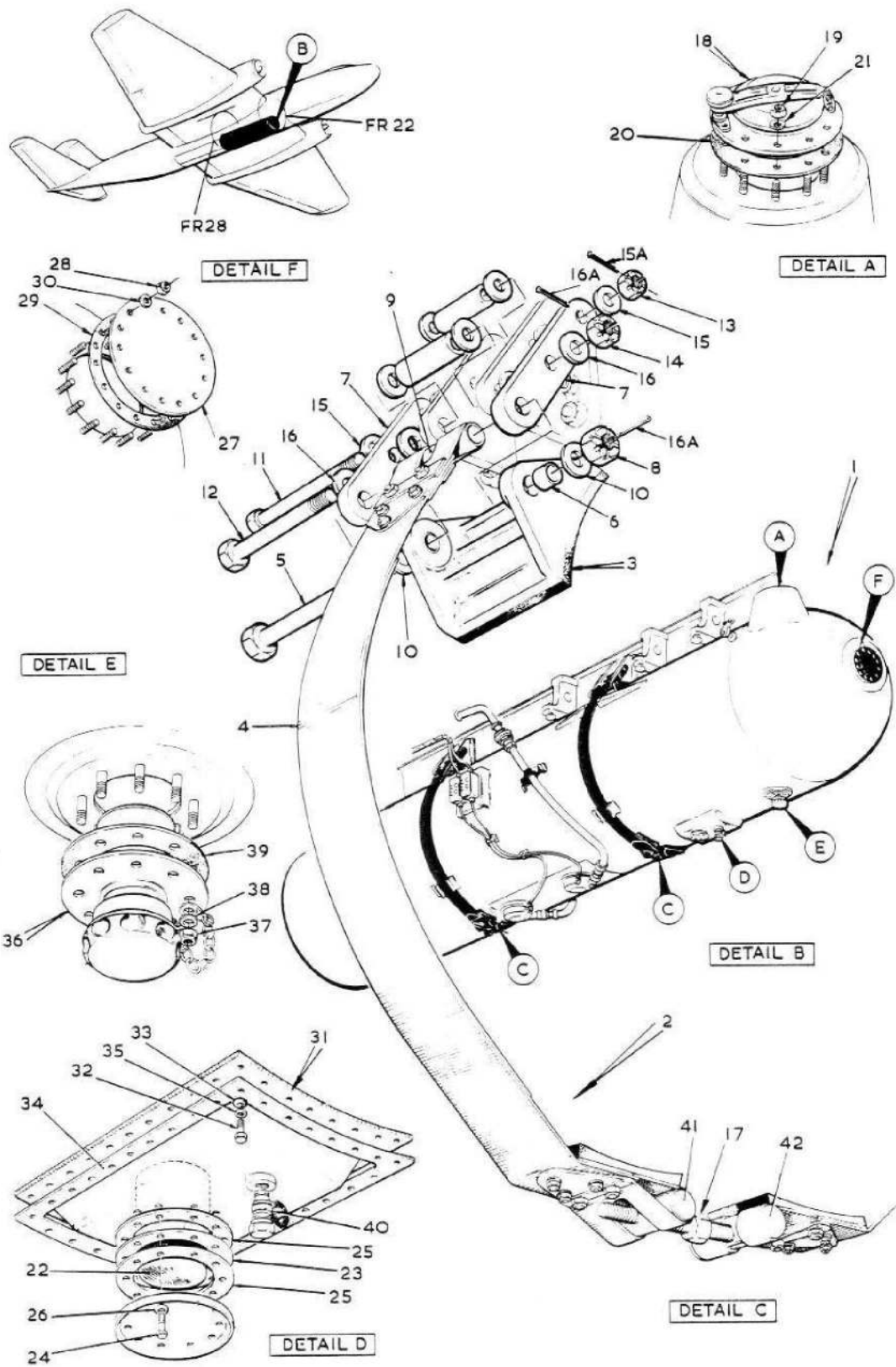


FIG 1 VENTRAL TANK TO FUSELAGE

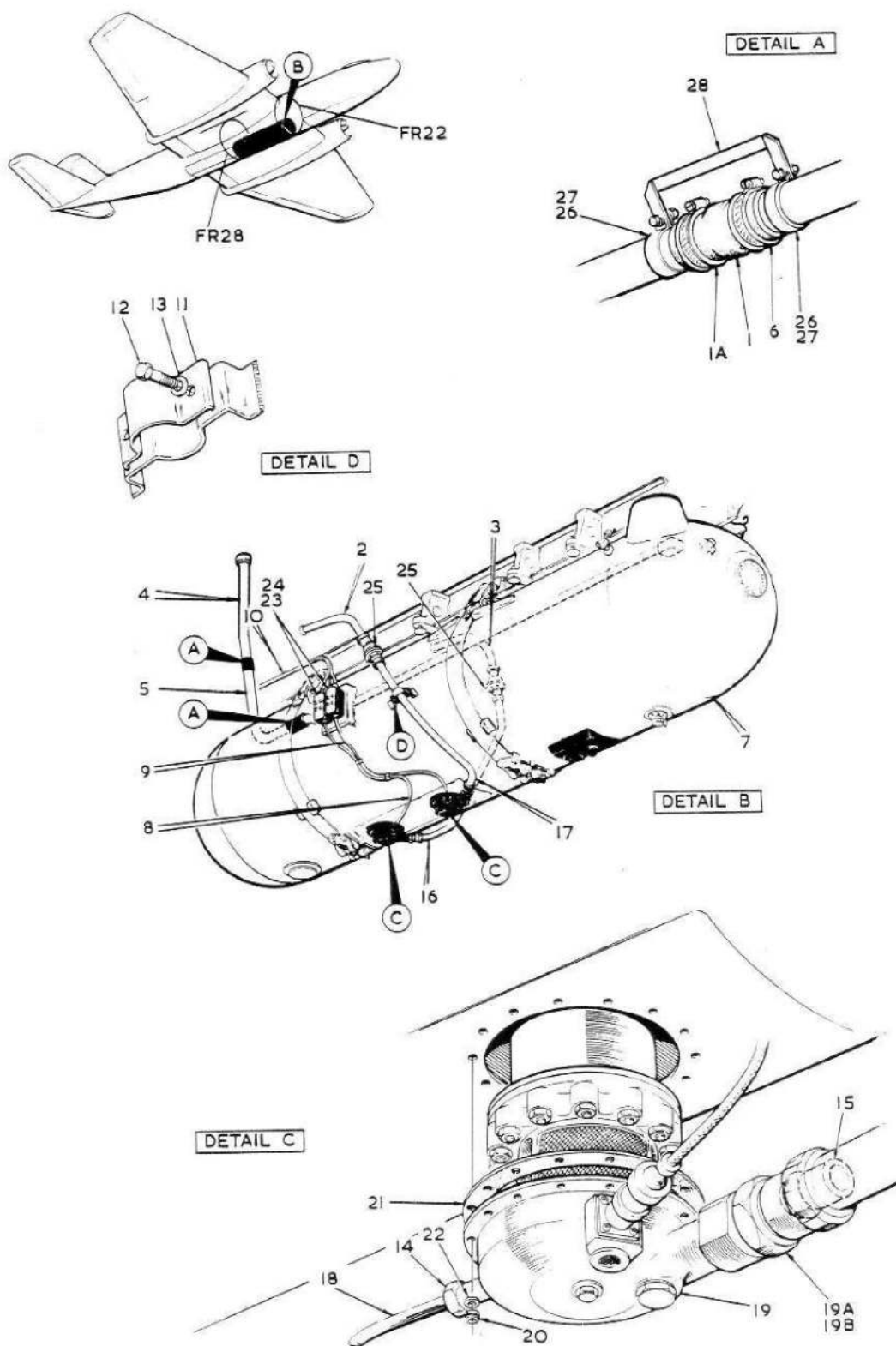


FIG 2 VENTRAL TANK TO FUSELAGE

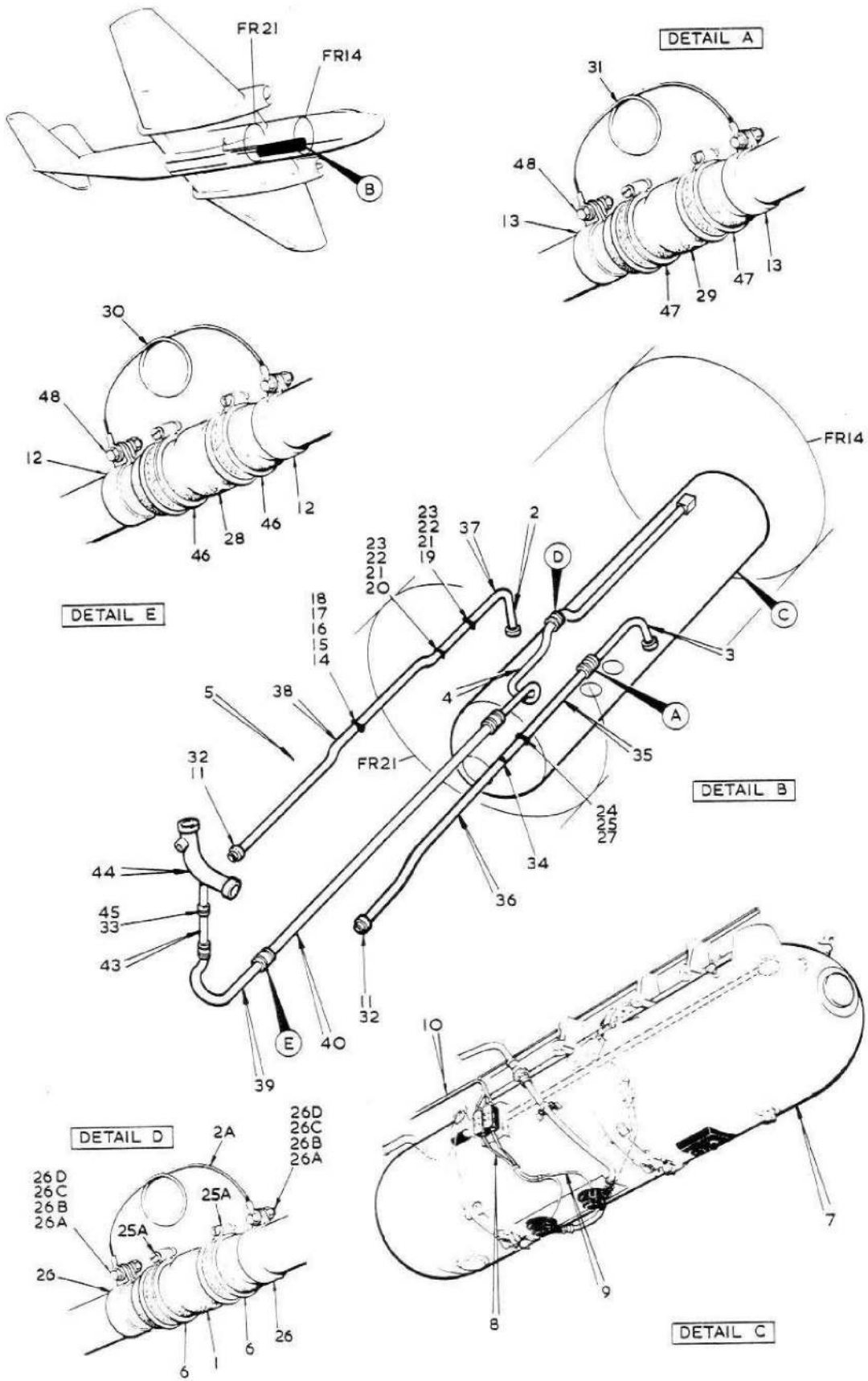


FIG 3 VENTRAL TANK TO FUSELAGE

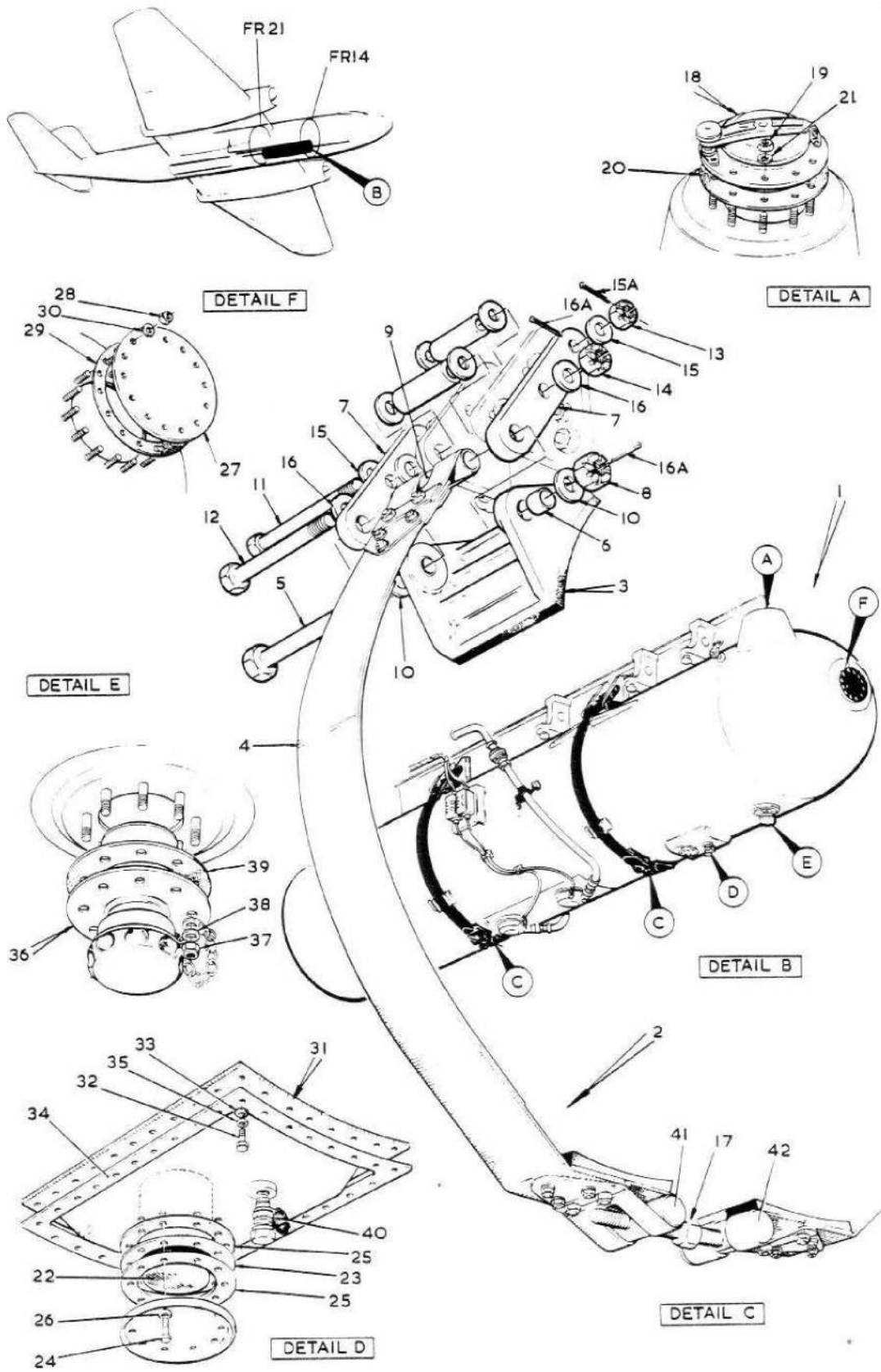


FIG 4 VENTRAL TANK TO FUSELAGE

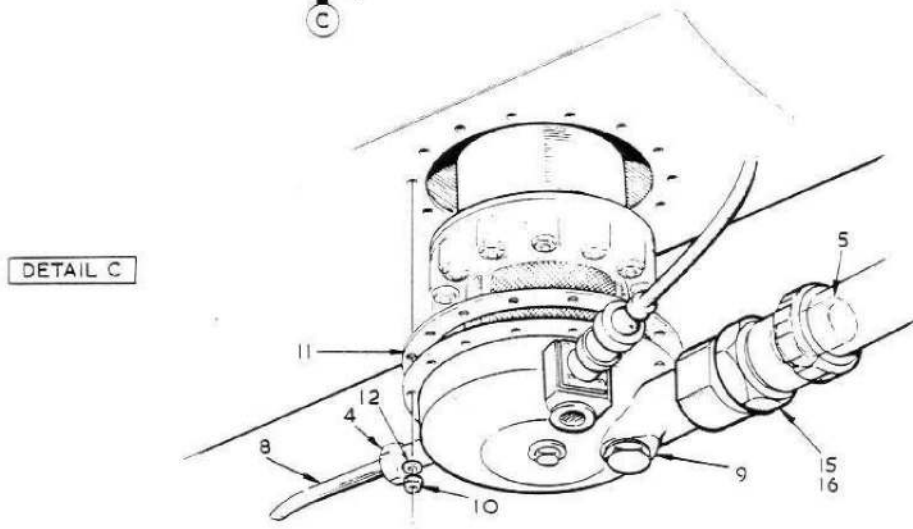
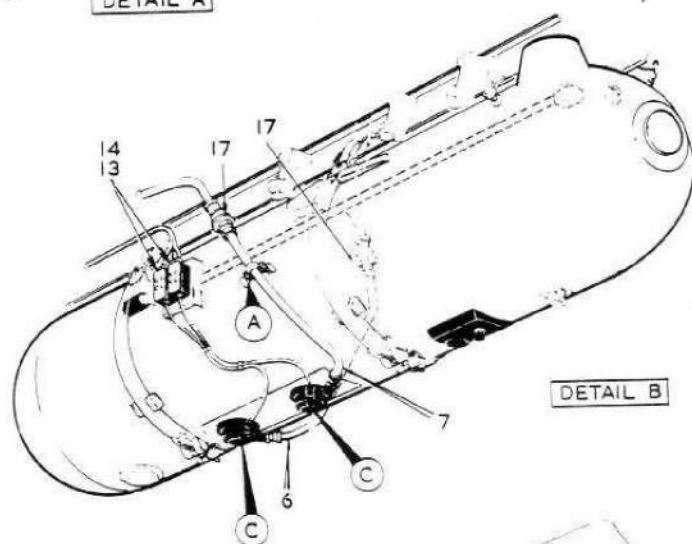
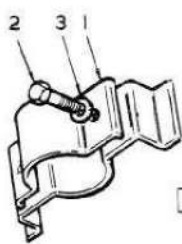
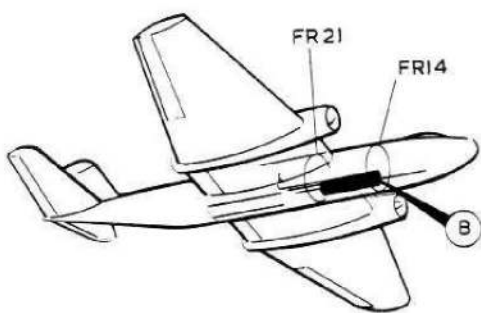


FIG 5 VENTRAL TANK TO FUSELAGE

CHAPTER UB
FIGURES TO BE ISSUED LATER

CHAPTER UC
NOT USED

This file was downloaded
from the RTFM Library.

Link: www.scottbouch.com/rtfm

Please see site for usage terms,
and more aircraft documents.

