

## ENGINE CONTROLS IN CENTRE FUSELAGE

Part Number	Description	No. Off						Matl. Spec.	Plate No.
		1	2	3	4	5	6		
EA1.47.125	CONTROLS, ENGINE IN CENTRE FUSELAGE ASSEMBLY							-	-
	Spares for:-								
EA1.47.203	. CONTROLS AT FRAME 13, ASSEMBLY							1	-
	Spares for:-								CA1/1
EA1.47.177	. . BRACKET, fairlead attachment, L.H.							1	-
EA1.47.179	. . BRACKET, fairlead attachment, R.H.							1	-
EA3.47.61	. . BRACKET, lever attachment, L.H.							1	-
EA3.47.63	. . BRACKET, lever attachment, L.H.							1	-
EA3.47.57	. . BRACKET, lever attachment, R.H.							1	-
EA3.47.59	. . BRACKET, lever attachment, R.H.							1	-
EA1.47.309	. . FAIRLEAD, half, for control tubes							4	LFS21
	Attaching parts for EA1.47.309 (per pair):								CA2/1
A25/10C	. . Bolt, 2BA							2	-
A27CP	. . Nut, 2BA							2	-
									CA2/2
									CA2/3
EA1.47.307	. . FAIRLEAD, half, for control tubes							2	LFS21
	Attaching parts for EA1.47.307 (per pair):								CA3/3
A25/10C	. . Bolt, 2BA							2	-
A27CP	. . Nut, 2BA							2	-
									CA3/3A
									CA3/3B
EA3.47.65	. . LEVER, assembly, throttle control, L.H.							1	-
	(Pre Mod.5028)								CA3/4
EA3.47.119	. . LEVER, assembly, throttle control, L.H. (Mod.5028)							1	-
EA3.47.67	. . LEVER, assembly, cut-out valve control L.H.							1	-
	(Pre Mod.5028)								CA3/5
EA3.47.121	. . LEVER, assembly, cut-out valve control L.H. (Mod.5028)							1	-
	Attaching parts for L.H. Levers (per pair):								
EEAS13/5	. . Bolt, special							1	S96
A27ES	. . Nut, 1/4" BSF							1	-
SP90C7	. . Pin, split 1/16" dia							1	-
SP16E	. . Washer							1	-
									CA1/31
									CA1/31A
									CA1/31B
									CA1/31C
EA3.47.66	. . LEVER, assembly, throttle control R.H.							1	-
	(Pre Mod.5028)								CA3/6
EA3.47.120	. . LEVER, assembly, throttle control R.H. (Mod.5028)							1	-
EA3.47.68	. . LEVER, assembly, cut-out valve control R.H.							1	-
	(Pre Mod.5028)								CA3/7
EA3.47.122	. . LEVER, assembly, cut-out valve control R.H. (Mod.5028)							1	-
	Attaching parts for R.H. Levers (per pair):								
EA3.47.73	. . Bolt, special							1	S11
A27ES	. . Nut, 1/4" BSF							1	-
SP90C7	. . Pin, split, 1/16" dia							1	-
AS2811/6/020	. . Tube, distance							2	L62
SP16E	. . Washer							1	-
									CA1/32
									CA1/32A
									CA1/32B
									CA1/32C
									CA1/32D
EA1.47.305	. FAIRLEAD, half, for control tubes							16	LFS21
	Attaching parts for EA1.47.305 (per pair):								CA1/2
A25/12C	. Bolt, 2BA							QR	-
AS1242/14C	. Bolt, 2BA							QR	-
AGS20D1C1/66	. Nut, 2BA							2	-
	. Packing							QR	-
EA1.47.535	. Packing							QR	-
EA1.47.537	. Packing							QR	-
EA1.47.539	. Packing							QR	-
SP15C	. Washer							2	-
									CA1/3
									CA1/4
									CA1/5
									CA1/6
									CA1/7
									CA1/8
									CA1/9

## CONTROLS

## ENGINE CONTROLS IN CENTRE FUSELAGE

Part Number	Description	No. Off	Matl. Spec.	Plate No.
EA1.47.101	. LEVER ASSEMBLY, AT FRAME 16 L.H. (Pre Mod.5028)	1	—	CA1/10
EA3.47.113	. LEVER ASSEMBLY AT FRAME 16 L.H. (Mod.5028) Spares for:	1	—	
HOFFMANN CBS3	. . BEARING, ballrace	2	—	CA1/11
EA1.47.105	. . BRACKET, top	1	L72	CA1/12
EA1.47.107	. . BRACKET, bottom	1	DTD160	CA1/13
EA1.47.123	. . HOUSING, ballrace (Pre Mod.5028)	2	—	CA1/14
EA3.47.125	. . HOUSING, ballrace (Mod.5028)	2	—	
EA1.47.103	. . LEVER, SUB-ASSEMBLY (Pre Mod.5028)	1	—	CA1/15
EA3.47.155	. . LEVER, SUB-ASSEMBLY (Mod.5028) Spares for:	1	—	
HOFFMANN CJO	. . . BEARING, spherical	2	—	CA1/16
EA3.47.151	. . . EYE-END, assembly (Pre Mod.5028)	2	—	CA1/17
EA3.47.123	. . . EYE-END, assembly (Mod.5028)	2	—	
A27JT	. . . NUT 3/8" BSF, thin	2	—	CA1/18
EA1.47.102	. LEVER, ASSEMBLY, AT FRAME 16 R.H. (Pre Mod.5028)	1	—	CA1/19
EA3.47.114	. LEVER, ASSEMBLY AT FRAME 16 R.H. (Mod.5028) Spares for:	1	—	
HOFFMANN CBS3	. . BEARING, ballrace	2	—	CA1/20
EA1.47.106	. . BRACKET, top	1	L72	CA1/21
EA1.47.108	. . BRACKET, bottom	1	DTD160	CA1/22
EA1.47.123	. . HOUSING, ballrace (Pre Mod.5028)	2	—	CA1/23
EA3.47.125	. . HOUSING, ballrace (Mod.5028)	2	—	
EA1.47.104	. . LEVER, SUB-ASSEMBLY (Pre Mod.5028)	1	—	CA1/24
EA3.47.156	. . LEVER, SUB-ASSEMBLY (Mod.5028) Spares for:	1	—	
HOFFMANN CJO	. . . BEARING, spherical	2	—	CA1/25
EA3.47.151	. . . EYE-END, ASSEMBLY (Pre Mod.5028)	2	—	CA1/26
EA3.47.123	. . . EYE-END, assembly (Mod.5028)	2	—	
A27JT	. . . NUT 3/8" BSF, thin	2	—	CA1/27
EA1.47.225	. TUBE, CONTROL, INTERMEDIATE, AFT OF FRAME 13, ASSEMBLY (Pre Mod.5028)	2	—	CA1/28
EA3.47.115	. TUBE, CONTROL, INTERMEDIATE, AFT OF FRAME 13, ASSEMBLY (Mod.5028) Spares for:	2	—	
EA1.47.219	. . EYE-END	1	—	CA1/28A
EEAS53	. . EYE-END, assembly (Pre Mod.5028)	1	—	CA1/29
EA3.47.163	. . EYE-END, assembly (Mod.5028) Attaching parts for EA1.47.219, EEAS53 or EA3.47.163:	1	—	
SP28G6	. . Pin, taper	2	—	CA1/30

## ENGINE CONTROLS IN CENTRE FUSELAGE

Part Number	Description	No. Off	Matl. Spec.	Plate No.
EA1.47.227	. TUBE, CONTROL, INTERMEDIATE, THROTTLE AND SHUT-OFF COCK, ASSEMBLY (Pre Mod.5028)	4	—	CA3/8
EA3.47.117	. TUBE, CONTROL, INTERMEDIATE, THROTTLE AND SHUT-OFF COCK, ASSEMBLY (Mod.5028)	4	—	
	Spares for:			
EEAS53	. . EYE-END, assembly (Pre Mod.5028)	1	—	CA3/9
EA3.47.163	. . EYE-END, assembly (Mod.5028)	1	—	
EEAS51	. . FORK-END	1	DTD683	CA3/10
	Attaching parts for EEAS53, EA3.47.163 or EEAS51:			
SP28G6	. . Pin, taper	4	—	CA3/11
EA1.47.233	. TUBE, CONTROL, TRANSVERSE CENTRE, AT FRAME 13, ASSEMBLY	2	—	CA2/4
	Spares for:			
EEAS51	. . FORK-END	2	DTD683	CA2/5
	Attaching parts for EEAS51:			
SP28G6	. . Pin, taper	4	—	CA2/6
EA1.47.231	. TUBE, CONTROL, TRANSVERSE, LEVER CONNECTING, ASSEMBLY (Pre Mod.2621)	4	—	
EA4.47.529	. TUBE, CONTROL, TRANSVERSE, LEVER CONNECTING, ASSEMBLY (Mod.2621) (Pre Mod.5028)	4	—	CA2/7
EA4.47.575	. TUBE, CONTROL, TRANSVERSE, LEVER CONNECTING, ASSEMBLY (Mod.5028)	4	—	
	Spares for:			
EEAS53	. . EYE-END, assembly (Pre Mod.5028)	1	—	CA2/8
EA3.47.163	. . EYE-END, assembly (Mod.5028)	1	—	
	Attaching parts for EEAS53 and EA3.47.163:			
SP28G6	. . Pin, taper	2	—	CA2/9
EEAS50	. . FORK-END	1	DTD683	CA2/10
EEAS234	. . PLUG, end	1	DTD683	CA2/11
	Attaching parts for EEAS234:			
SP28G6	. . Pin, taper	2	—	CA2/12

## CONTROLS

## ENGINE CONTROLS IN CENTRE FUSELAGE

Part Number	Description	No. Off	Matl. Spec.	Plate No.
EA1.47.249	. TUBE, CONTROL, BETWEEN OPERATING LEVER AND INTERMEDIATE CONTROL TUBE ASSEMBLY (PRE MOD.2621)	2	—	
EA4.47.531	. TUBE, CONTROL, BETWEEN OPERATING LEVER AND INTERMEDIATE CONTROL TUBE ASSEMBLY (MOD.2621) (PRE MOD.5028)	2	—	CA2/13
EA4.47.577	. TUBE, CONTROL, BETWEEN OPERATING LEVER AND INTERMEDIATE CONTROL TUBE ASSEMBLY (MOD.5028)	2	—	
EEAS53	. . EYE-END, ASSEMBLY (Pre Mod.5028)	1	—	CA2/14
EA3.47.163	. . EYE-END, assembly (Mod.5028)	1	—	
EEAS234	. . PLUG, end (Mod.2621) Attaching parts for EEAS53, EA3.47.163 or EEAS234:	1	DTD683	CA2/15
SP28G6	. . Pin, taper	1	—	CA2/16
EA1.47.229	. TUBE, CONTROL, CONNECTING TO LEVER AT FRAME 16, ASSEMBLY (PRE MOD.2621)	4	—	
EA4.47.535	. TUBE, CONTROL, CONNECTING TO LEVER AT FRAME 16, ASSEMBLY (MOD.2621)	4	—	CA3/12
EEAS50	. . FORK-END, adjustable	1	DTD683	CA3/13
EEAS51	. . FORK-END	1	DTD683	CA3/14
A27JT	. . NUT, 3/8" BSF	1	—	CA3/14A
EEAS49	. . PLUG, end (Pre Mod.2621)	1	—	
EEAS234	. . PLUG, end (Mod.2621) Attaching parts for EEAS51 and EEAS234 or EEAS49:	1	DTD683	CA3/15
SP28G6	. . Pin, taper	2	—	CA3/16
EA1.47.223	. TUBE, CONTROL, SHUT-OFF COCK AND THROTTLE ASSEMBLY (PRE MOD.2621)	2	—	
EA9.47.209	. TUBE, CONTROL, SHUT-OFF COCK AND THROTTLE ASSEMBLY (MOD.2621)	2	—	CA3/17
EA3.47.53	. . FORK-END, adjustable	1	—	CA3/17A
A27JT	. . NUT, 3/8" BSF	1	—	CA3/17B
EEAS49	. . PLUG, end (Pre Mod.2621)	1	—	
EEAS234	. . PLUG, end (Mod.2621) Attaching parts for EEAS234 or EEAS49:	1	DTD683	CA3/18
SP28G6	. . Pin, taper Attaching parts for Control Tubes:	2	—	CA3/19
EEAS12/1	. Bolt, special	2	S11	CA2/17
EEAS63	. Nut, special	2	S11	CA2/18
SP90C5	. Pin, split	2	—	CA2/18A
EEAS28/3DU	. Washer	2	—	CA2/19
SP15C	. Washer	2	—	CA2/19A

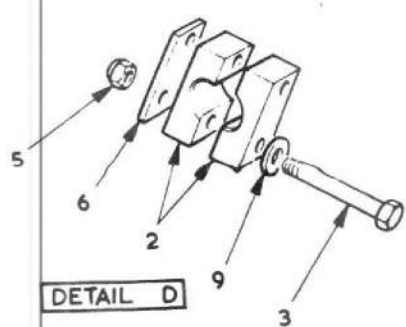
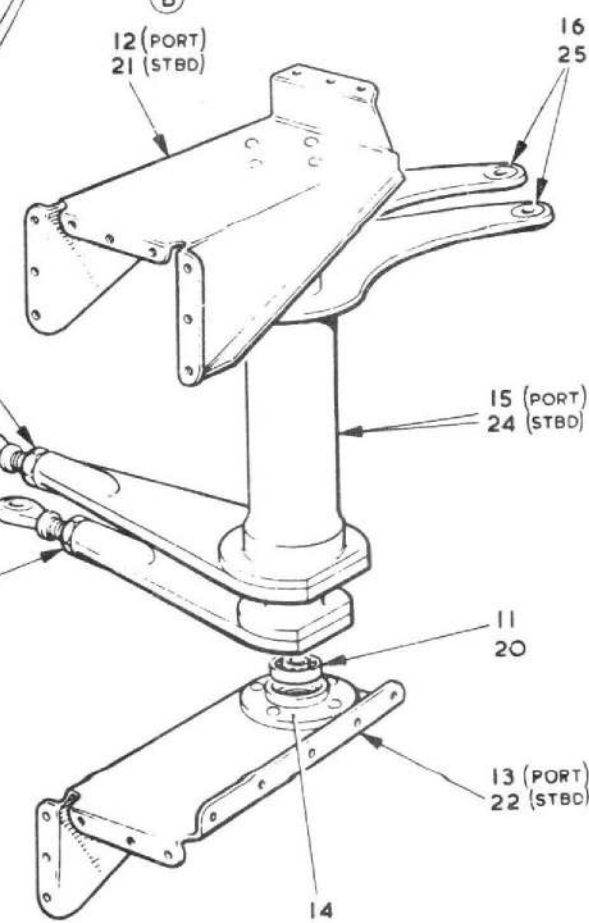
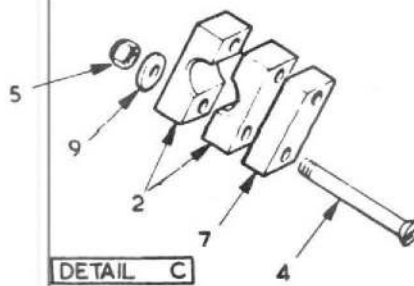
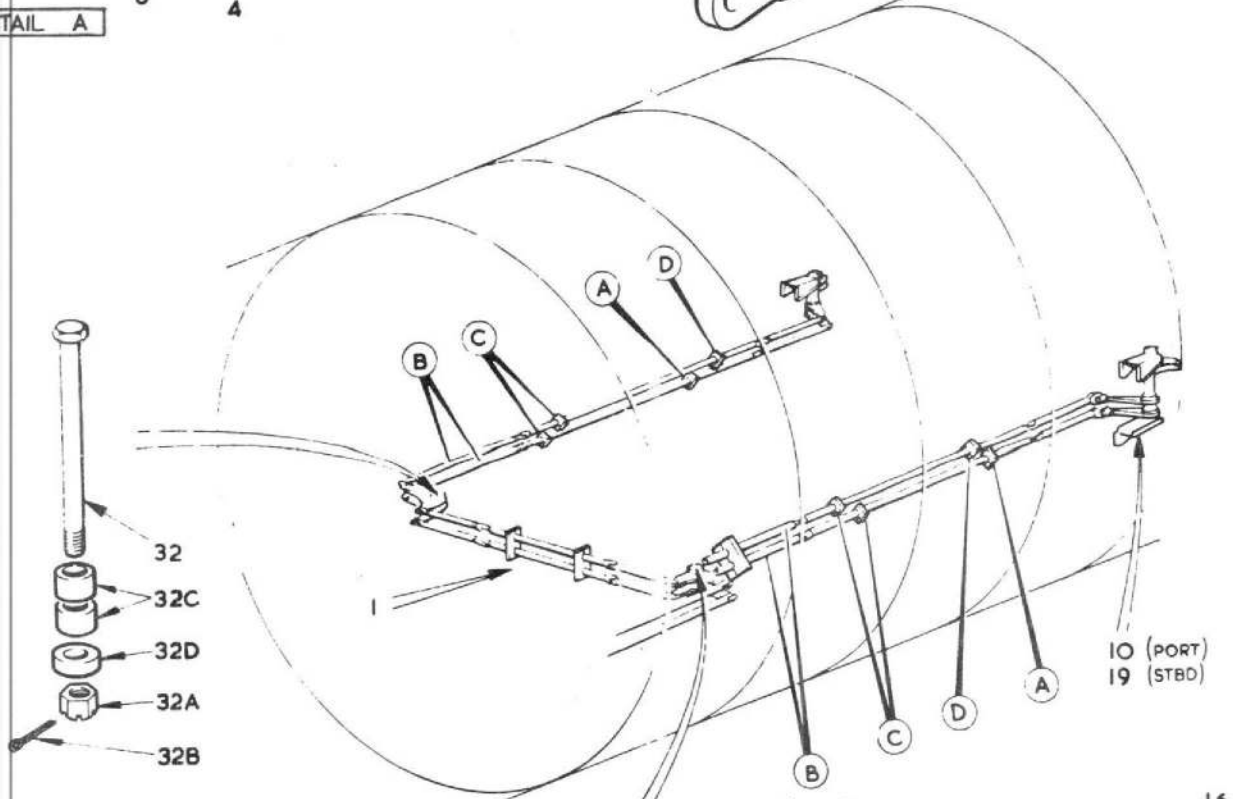
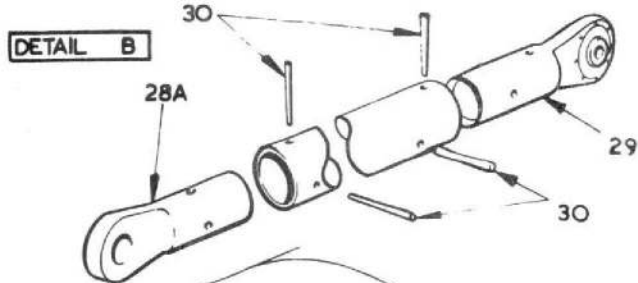
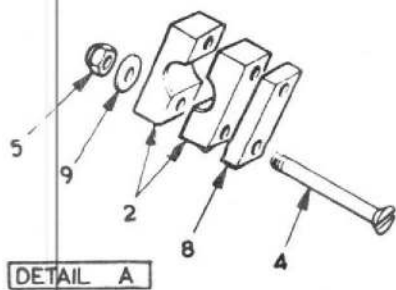


FIG. 1 ENGINE CONTROLS IN CENTRE FUSELAGE

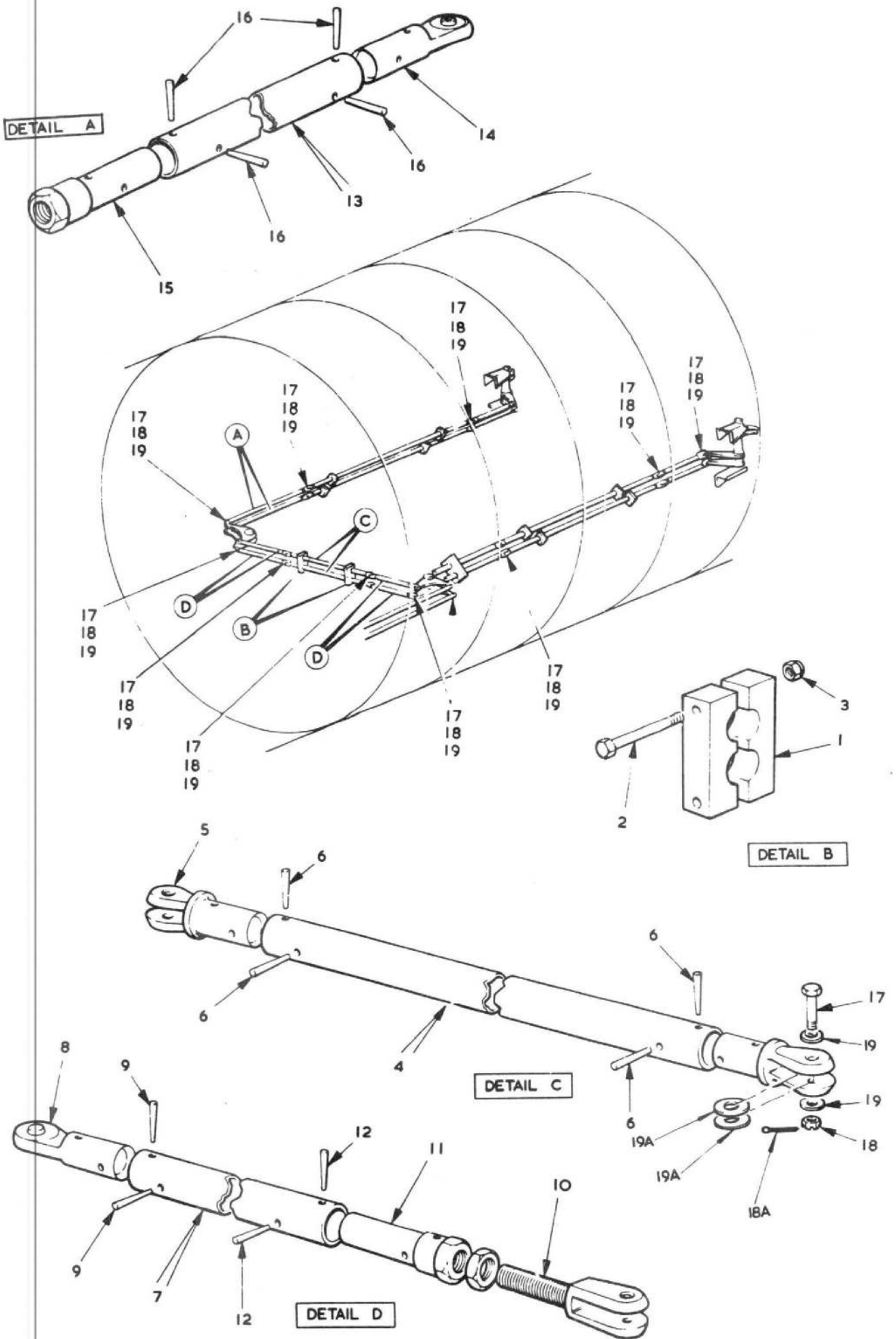


FIG 2 ENGINE CONTROLS IN CENTRE FUSELAGE  
 CODER S Z

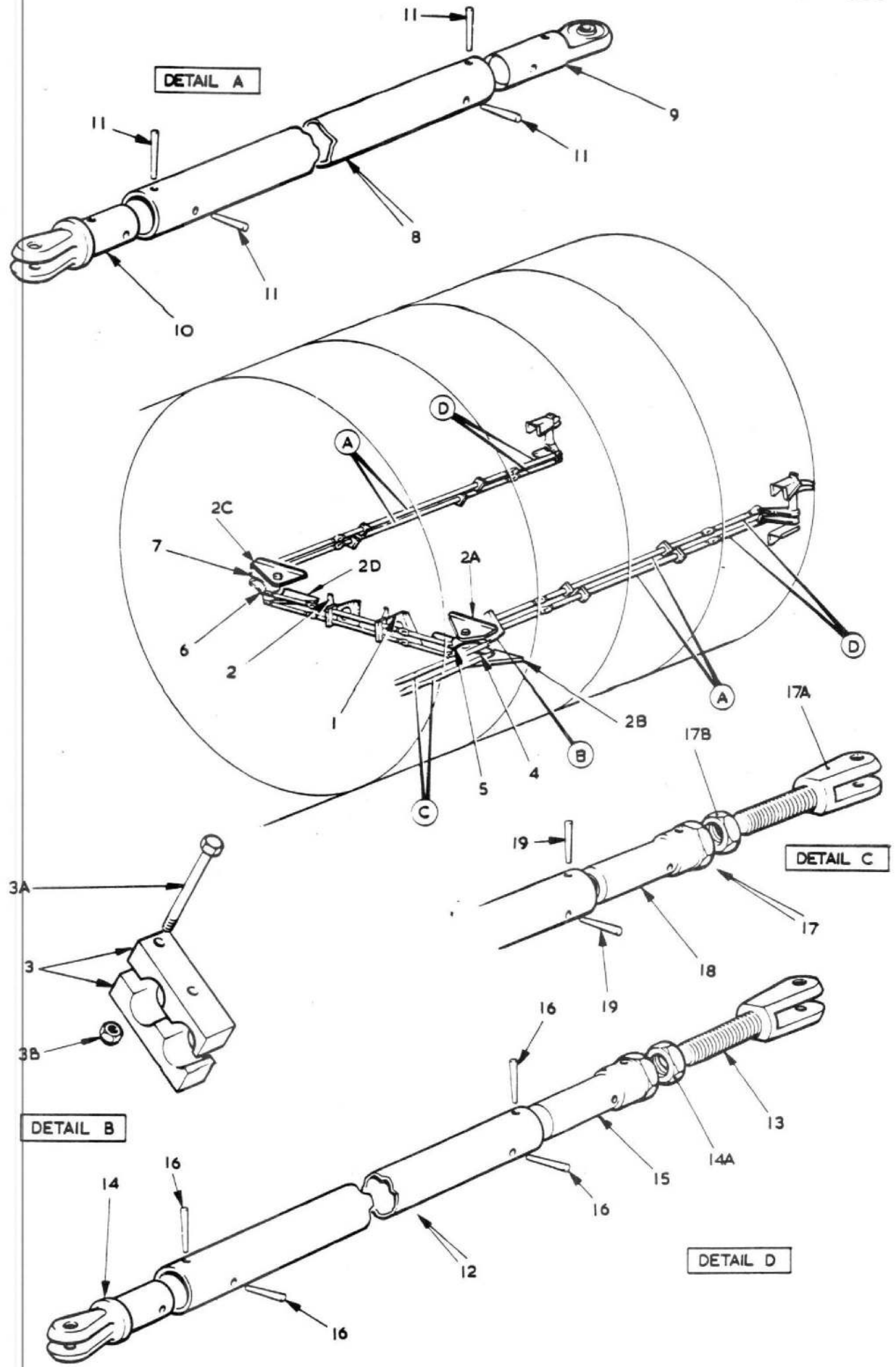


FIG3 ENGINE CONTROLS IN CENTRE FUSELAGE

This file was downloaded from the RTFM Library.  
Link: [www.scottbouch.com/rtfm](http://www.scottbouch.com/rtfm)

Please see site for usage terms, and more aircraft documents.

