

ENGINE CONTROLS IN NOSE FUSELAGE

Part Number	Description	No. Off	Matl. Spec.	Plate No.	
					1
EA1.47.5	CONTROLS, ENGINE IN NOSE FUSELAGE ASSEMBLY Spares for:	1	—	CB1/1	
EA1.47.245	. CLAMP, grommet retaining, at pressure bulkhead Attaching parts for EA1.47.245:	4	L40	CB1/2	
A25/3C	. Bolt, 2BA, hex. head	2	—	CB1/3	
AGS2001C1/66	. Nut, stiff, 2BA	2	—	CB1/4	
EA1.47.357	. CLEAT, engine control support frame 4 Attaching parts for EA1.47.357:	2	L40	CB1/5	
A25/7C	. Bolt, 2BA, hex. head	3	—	CB1/6	
AGS2001C1/66	. Nut, stif, 2BA	3	—	CB1/7	
SIMMONDS CORSEY SP15/7	. CLIP, rigid engine control rods at frames 5, 6, 7, 8 and 10 (in pairs) Attaching parts for SP15/7:	28	—	CB1/8	
A25/7C	. Bolt, 2BA, hex. head at frames 5, 6, 7 and 8	2	—	CB1/9	
A25/9C	. Bolt, 2BA, hex. head at frame 10	2	—	CB1/10	
AGS2001C1/66	. Nut, stiff, 2BA	2	—	CB1/11	
SIMMONDS CORSEY SP15/10	. CLIP, rigid engine control rods at frame 3 (in pairs) Attaching parts for SP15/10:	8	—	CB1/2	
A25/10E	. Bolt, ¼" BSF, hex. head	2	—	CB1/13	
AGS2001E1/66	. Nut, stiff, ¼" BSF	2	—	CB1/14	
EA1.47.251	. CONTROL, engine fuel shut-off cock, L.H. (Simmonds Corsey No.7)	1	—	CB1/15	
EA1.47.253	. CONTROL, engine throttle, L.H. (Simmonds Corsey No.7)	1	—	CB1/16	
EA1.47.255	. CONTROL, engine fuel shut-off cock, R.H. (Simmonds Corsey No.7)	1	—	CB1/17	
EA1.47.257	. CONTROL, engine throttle, R.H. (Simmonds Corsey No.7) Attaching parts for EA1.47.251, EA1.47.253, EA1.47.255 and EA1.47.257:	1	—	CB1/18	
AGS899/4	. Collar, shackle pin	1	—	CB1/20	
SP4YD9	. Pin, shackle	1	—	CB1/21	
SP90C7	. Pin, split, 1/16" dia	1	—	CB1/22	
Z11809	. GROMMET, at pressure bulkhead	4	—	CB1/23	
EA1.47.127	. MOUNTING, THROTTLE BOX, ASSEMBLY Spares for:	—	—	CB2/1	
EA3.47.149	. . . BOX, THROTTLE, ASSEMBLY Spares for:	1	—	CB2/2	
EA1.47.165	. . . BRACKET, micro switch, mounting Attaching parts for EA1.47.165:	1	L72	CB2/3	
A25/8B	. . . Bolt, 4BA, hex. head	4	—	CB2/4	
AGS2001B1	. . . Nut, stiff, 4BA	4	—	CB2/5	
SP15B	. . . Washer, 4BA, plain	4	—	CB2/6	

CONTROLS

AP101B-0402-3A

ENGINE CONTROLS IN NOSE FUSELAGE

Part Number	1 2 3 4 5 6	Description	No. Off	Matl. Spec.	Plate No.
EB7.81.1589	. . .	BRACKET, cable clip assembly Attaching parts for EB7.81.1589:	1	L72	CB2/7
A25/1B	. . .	Bolt, 4BA, hex. head	2	—	CB2/8
AGS2001B1	. . .	Nut, stiff, 4BA	2	—	CB2/9
EA1.47.173	. . .	BUSH, tapped, shut-off cock lever locking	1	DTD126A	CB2/11
EA1.47.293	. . .	BUSH, tapped, throttle lever locking	1	DTD126A	CB2/12
EA3.81.2645	. . .	CABLE ASSEMBLY, N76A	—	—	
EA1.47.137	. . .	CASTING, throttle box	1	Mag. Alloy	CB2/13
AS3180/11B	. . .	CLIP, cable Attaching parts for AS3180/11B:	1	—	CB2/15
A25/1B	. . .	Bolt, 4BA, hex. head	1	—	CB2/16
EA1.47.157	. . .	KNOB, throttle lever, locking	1	L40	CB2/18
EA1.47.159	. . .	KNOB, shut-off cock lever, locking	1	L40	CB2/19
EA3.81.1971	. . .	KNOB, shut-off cock lever, L.H. red Attaching parts for EA3.81.1971:	1	DTD683	CB2/20
A33B16	. . .	Screw, 4BA, csk. head	1	—	CB2/21
A33C20	. . .	Screw, 2BA, csk. head	1	—	CB2/22
EA3.81.1972	. . .	KNOB, shut-off cock lever, R.H. green Attaching parts for EA3.81.1972:	1	DTD683	CB2/23
A33B16	. . .	Screw, 4BA, csk. head	1	—	CB2/24
A33C20	. . .	Screw, 2BA, csk. head	1	—	CB2/25
AS1908C	. . .	KNOB, throttle control, lever L.H. red Attaching parts for AS1908C:	1	—	CB2/26
A27CT	. . .	Nut, 2BA, thin	1	—	CB2/27
A33C28	. . .	Screw, 2BA, csk. head	1	—	CB2/28
AS1908B	. . .	KNOB, throttle control lever R.H. green Attaching parts for AS1908B:	1	—	CB2/10
A27CT	. . .	Nut, 2BA, thin	1	—	CB2/14
A33C28	. . .	Screw, 2BA, csk. head	1	—	CB2/17

AP101B-0402-3A

CONTROLS

ENGINE CONTROLS IN NOSE FUSELAGE

Part Number	Description	No. Off	Mati. Spec.	Plate No.
EA3.47.77	. . . LEVER, throttle L.H. assembly (Pre Mod.5028)	1	—	CB2/29
EA3.47.137	. . . LEVER, throttle L.H. assembly (Mod.5028)	1	—	
EA3.47.99	. . . LEVER, shut-off cock control L.H. (Pre Mod.5028)	1	—	CB2/30
EA3.47.139	. . . LEVER, shut-off cock control L.H. (Mod.5028)	1	—	
EA3.47.100	. . . LEVER, shut-off cock control R.H. (Pre Mod.5028)	1	—	CB2/31
EA3.47.140	. . . LEVER, shut-off cock control R.H. (Mod.5028)	1	—	
EA3.47.78	. . . LEVER, throttle, R.H. (Pre Mod.5028)	1	L72	CB2/32
EA3.47.138	. . . LEVER, throttle R.H. (Mod.5028)	1	—	
A27CP	. . . NUT, 2BA, plain, for lever stop screw	8	—	CB2/33
A27NP	. . . NUT, 1/2" BSF	1	—	CB2/33A
EA1.47.295	. . . PIN, special, shut-off cock control lever clamp	1	L40	CB2/34
EA1.47.297	. . . PIN, special, throttle control lever clamp	1	L40	CB2/35
SP90E8	. . . PIN, split, 3/32" dia	1	—	CB2/35A
EA1.47.303	. . . PLATE, guard	1	—	CB2/36
	Attaching parts for EA1.47.303:			
A32B8	. . . Screw, 4BA, round head	6	—	CB2/37
A32B16	. . . Screw, 4BA, round head	3	—	CB2/38
SP47B	. . . Washer, 4BA, spring	9	—	CB2/39
EA3.47.91	. . . PLATE, reaction, shut-off cock	1	—	CB2/41
EA3.47.93	. . . PLATE, reaction, shut-off cock	1	—	CB2/42
EA3.47.87	. . . PLATE, reaction, throttle control	1	—	CB2/40
EA3.47.101	. . . PLATE, reaction, throttle control	1	—	CB2/43
	Attaching parts for EA3.47.87 and EA3.47.101:			
A25/1B	. . . Bolt, 4BA	1	—	CB2/43A
AGS2001B1	. . . Nut, 4BA	1	—	CB2/43B
SP15B	. . . Washer	1	—	CB2/43C
EA3.47.145	. . . PLATE, tapped link locking	1	—	CB2/44
	Attaching parts for EA3.47.145:			
AS1242/4B	. . . Bolt, 4BA, csk. head	2	—	CB2/45
AGS2001B1	. . . Nut, stiff, 4BA	2	—	CB2/46
SP15B	. . . Washer, 4BA, plain	2	—	CB2/47
EA3.81.1997	. . . PLATE, push switch protection	2	—	CB2/49
	Attaching parts for EA3.81.1997:			
A44Z10	. . . Screw, 8BA, round head	3	—	CB2/50
A32C28	. . . SCREW, stop, for levers	6	—	CB2/51
A32C40	. . . SCREW, stop, for levers	2	—	CB2/52
EA3.47.85	. . . SHIM, at throttle, levers	2	—	CB2/53
EA3.47.103	. . . SHIM, at shut-off cock levers	2	—	CB2/54
EA3.81.1995	. . . SLEEVE, at relight switches	2	—	CB2/55
HONEYWELL				
1HY1	. . . SWITCH, micro (Pre Mod.5262)	1	—	CB2/56
MS5752	. . . SWITCH, micro (Mod.5262)	1	—	
	Attaching parts for 1HY1 and MS5752:			
A25/8B	. . . Bolt, 4BA, hex. head	2	—	CB2/57
AGS2001B1	. . . Nut, stiff, 4BA	2	—	CB2/58
SP15B	. . . Washer, 4BA, plain	2	—	CB2/59

CONTROLS

ENGINE CONTROLS IN NOSE FUSELAGE

Part Number	Description						No. Off	Matl. Spec.	Plate No.
	1	2	3	4	5	6			
DOWTY C5162Y	2	—	CB2/60
A43Z12	2	—	CB2/61
EA3.47.83	1	—	CB2/64
EA3.47.81	2	—	CB2/65
EA3.47.89	2	—	CB2/66
SP15N	1	—	CB2/66A
A25/2C	3	—	CB2/67
AS1246/2C	2	—	CB2/68
AS2922/2.1/2C	6	—	CB2/69
AS2922/3C	5	—	CB2/70
AGS2001C1/66	5	—	CB2/71
EB6.47.5	2	—	CB1/53
EB6.47.7	2	—	CB1/54
EA1.47.217	1	—	CB1/55
SP15/7	4	—	CB1/56

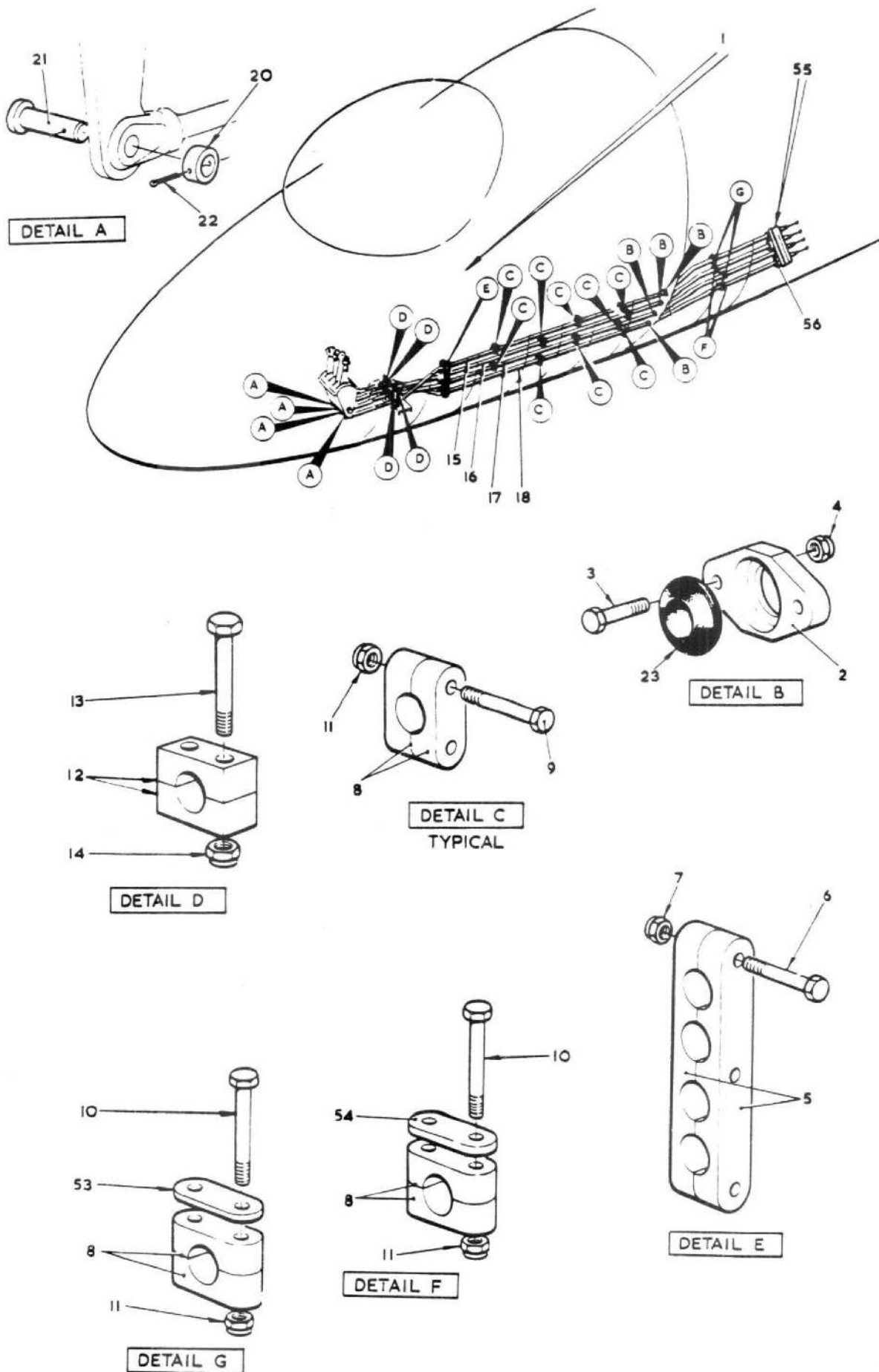


FIG. 1 ENGINE CONTROLS IN NOSE FUSELAGE

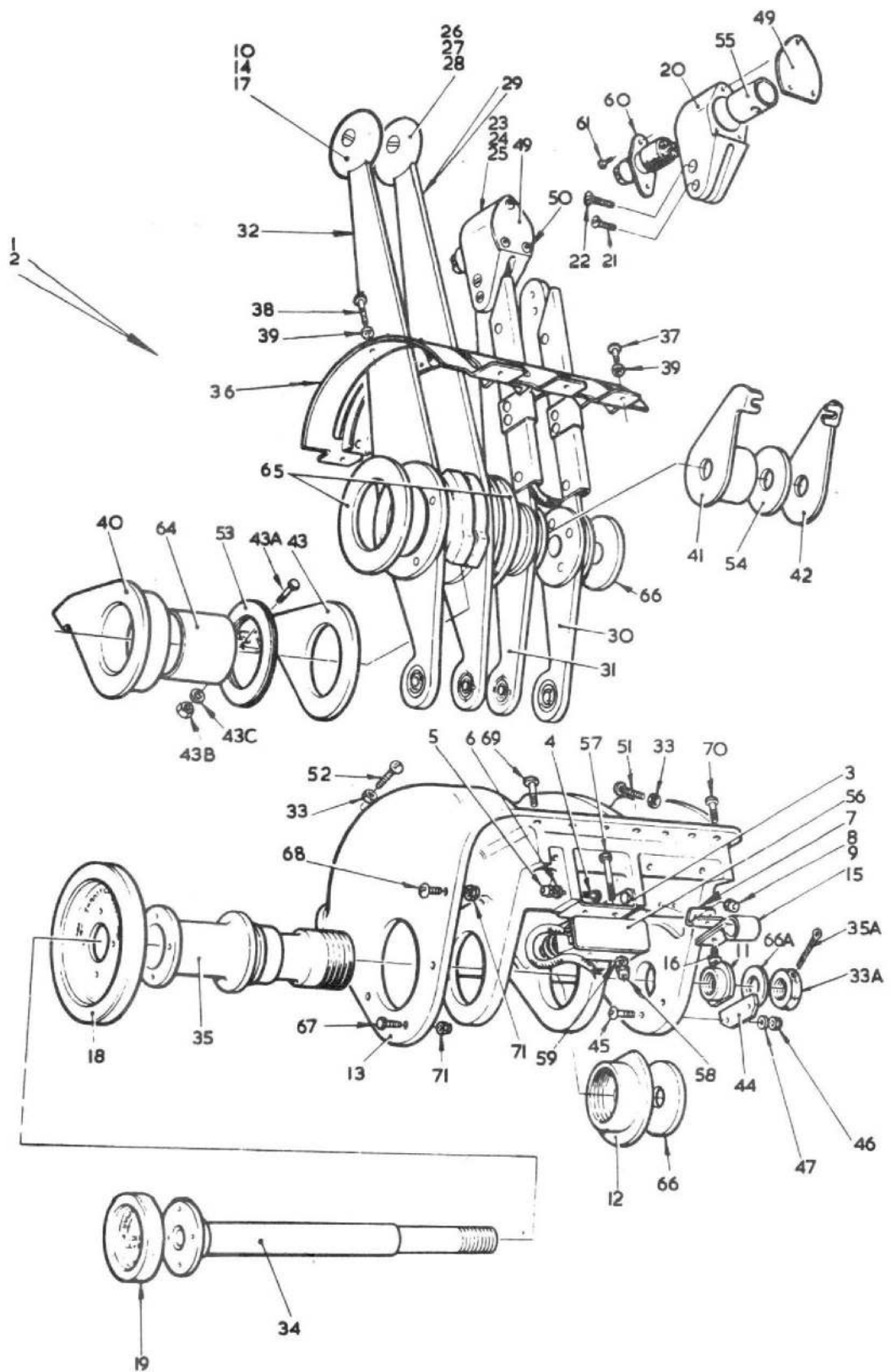


FIG.2 ENGINE CONTROLS IN NOSE FUSELAGE

CODE R

SECT CB

This file was downloaded
from the RTFM Library.
Link: www.scottbouch.com/rtfm

Please see site for usage terms,
and more aircraft documents.

