

## CONTROLS

## FLYING CONTROLS IN COCKPIT

Part Number	Description	No. Off	Mati. Spec.	Plate No.
EA3.45.3	FLYING CONTROLS IN COCKPIT ASSEMBLY Spares for:	—	—	DA1/27
L3/5578GF116	. CHARGE, H.E. emergency	1	—	DA1/3
EA3.45.5	. CONTROLS ON PILOT'S FLOOR AND FLOOR FIXING, ASSEMBLY Spares for:	—	—	DA1/28
EA3.45.247	. . AILERON BIAS, ASSEMBLY Spares for:	1	—	DA4/36
E.E. CO. LTD. BRADFORD AE.259 Mk.2	. . . ACTUATOR, linear, type 259 Attaching parts for AE259 Mk.2	1	—	DA4/35
EA6.45.345	. . . Bolt, shouldered at angle end	1	S92	DA4/24
A25/3E	. . . Bolt, 1/4" BSF at lever end	1	—	DA4/22
A27ES	. . . Nut, slotted, 1/4" BSF	2	—	DA4/29
SP90C7	. . . Pin, split, 1/16" dia	2	—	DA4/32
EA6.45.337	. . . ANGLE	1	L72	DA4/23
EA6.45.338	. . . ANGLE Attaching parts for EA6.45.337 and EA6.45.338:	1	L72	DA4/34
A25-2C	. . . Bolt, 2BA	2	—	DA4/33
A25-1C	. . . Bolt, 2BA	4	—	DA4/28
AGS2001 C1/66	. . . Nut, stiff, 2BA	6	—	DA4/26
SP13C	. . . Washer	4	—	DA4/27
AGS899/4	. . . COLLAR	1	—	DA4/27A
SP4Y/D6	. . . PIN, 1/4" dia	1	—	DA4/27B
SP90C5	. . . PIN, split 1/16" dia	1	—	DA4/27C
SP8Y16	. . . ROLLER	1	—	DA4/27D
EA6.45.335	. . . TUBE, torque, and levers, assembly Attaching parts for EA6.45.335:	1	—	DA4/17
EA6.45.343	. . . Bolt, shouldered	1	S92	DA4/16
EA6.45.341	. . . Bush, oilite	2	—	DA4/25
A27ES	. . . Nut, slotted, 1/4" BSF	1	—	DA4/30
SP90C7	. . . Pin, split, 1/16" dia	1	—	DA4/31
SP42G	. . . Washer, tab	1	—	DA4/18
EA3.45.13	. . COLUMN, CONTROL, PILOT'S, ASSEMBLY (For Aircraft Not Embodying Mod.5097)	1	—	DA2/1
EA3.45.541	. . COLUMN, CONTROL, PILOT'S, ASSEMBLY (MOD.4491 — S.O.O.) (For Aircraft Not Embodying Mod.5097)	1	—	
EA3.45.5229	. . COLUMN, CONTROL, PILOT'S, ASSEMBLY (MOD.4491 — S.O.O.) (MOD.4956) (PRE MOD 272) (For Aircraft Embodying Mod.5097)	1	—	
EA3 45.5093	. . COLUMN, CONTROL, PILOT'S, ASSEMBLY (MOD.4491 — S.O.O.) (MOD.4956) (MOD.272) (For Aircraft Embodying Mod.5097) Spares for:	1	—	
HOFFMANN T17	. . . BEARING, ball-race, aileron, control	1	—	DA3/53
HOFFMANN T25	. . . BEARING, ball-race, pilot's hand grip	1	—	DA3/39

CONTROLS  
FLYING CONTROLS IN COCKPIT

Part Number	Description	No. Off	Mati. Spec.	Plate No.
EA6.45.291	BLOCK, brake cable adjusting Attaching parts for EA6.45.291:	1	DTD683	DA2/3
AS1242-8C	Bolt, csk. head 2BA	1	—	DA2/2
A27CS	Nut, slotted, 2BA	1	—	DA2/14
SP90C7	Pin, split, 1/16" dia	1	—	DA2/13
A33C24	Screw, csk. head 2BA	2	—	DA2/22
SP15C	Washer	1	—	DA2/17
AS1248½G	BOLT, mush. head 5/16" BSF	2	—	DA3/39A
EB6.81.877	BRACKET, clip	1	—	DA3/16
EB6.81.2253	BRACKET, switch	1	—	DA3/21
EA6.45.299	BRACKET (Used on aircraft not embodying Mod.272) (All R60/118)	1	—	
EA1.45.107	BUSH, main bearing attached to bottom casting	1	L65	DA2/4
EA3.81.637/1	CABLE, ASSEMBLY, N69B, from dive brake control switch, to terminal block (Pre Mod.5091)	1	—	DA3/6
EA3.81.6779	CABLE, ASSEMBLY, N69B, from dive brake control switch to terminal block (Mod.5091)	1	—	
EA3.45.473	CABLE, brake Attaching parts for EA3.45.473:	1	—	DA3/26
AGS899/2	Collar	1	—	DA3/19
SP4Y/B9	Pin, shackle	1	—	DA3/31
SP90C3	Pin, split, 1/16" dia	1	—	DA3/17
HV3710	CAP, Helvin	1	—	DA3/70
BOWDEN 6/40	CLIP, pliable, brake cable	1	—	DA3/56
AS1900C	CLIP Attaching parts for AS1900C:	1	—	DA3/67
AGS2001B4	Nut, stiff, 4BA	1	—	DA3/68A
A32/B12	Screw, round head 4BA	1	—	DA3/68
AGS2035B	Washer, shakeproof	1	—	DA3/68B
EA6.45.245	COLUMN, CONTROL, SUB-ASSEMBLY Spares for:	1	—	DA3/50
EA6.45.247	CASTING, top	1	DTD300	DA3/51
EA1.45.1021	TUBE, 2¼" o/d x 20 SWG	1	T45	DA3/54
EA1.45.91	YOKE, bottom casting	1	DTD300	DA3/65
EA1.45.125	CONTROL, ELEVATOR, GROUP (Pre Mod.4491)	1	—	DA2/35
EA3.45.539	CONTROL, ELEVATOR, GROUP (MOD.4491 — S.O.O.) Spares for:	1	—	
HOFFMANN T33	BEARING, ballrace	1	—	DA2/31
A59/22G	BOLT, 5/16" BSF (MOD.4491 — S.O.O.)	6	—	
EA1.45.177	DIAPHRAGM, ballrace housing mounting	1	DTD390	DA2/33
EA1.45.175	HOUSING, ballrace	1	L45	DA2/21
EA1.45.133	LEVER, ELEVATOR OPERATING, GROUP	1	—	DA2/10
EA3.45.523	LEVER, ELEVATOR, OPERATING, GROUP, (MOD.4491 — S.O.O.) Consisting of:	1	—	
SKEFKO CBA2	BEARING, ballrace	1	—	DA2/8
EEAS3D	HOUSING, ballrace	1	L40	DA2/9
EA1.45.603	LEVER	1	L40	DA2/24

CONTROLS  
FLYING CONTROLS IN COCKPIT

Part Number	Description	No. Off	Matl. Spec.	Plate No.
EA3.45.519	LEVER (EA1.45.603 modified) (Mod.4491 - S.O.O.)	1	L40	
EEAS4/20C	WASHER, packing Attaching parts for EA3.45.523:	2	DTD390	DA2/7
AS1242/5E	Bolt, 1/4" BSF	8	-	
A27ES	Nut, 1/4" BSF	8	-	
SP90C5	Pin, split	8	-	
EA3.45.517	Ring, clamp (Mod.4491 - S.O.O.)	1	L72	
SP16E	Washer	8	-	
EEAS37/14A	NIPPLE, 4BA 1/2" dia (Pre Mod.4491)	12	S96	DA2/19
A27GS	NUT, 5/16" BSF (Mod.4491 - S.O.O.)	6	-	
SP90C7	PIN, split (Mod.4491 - S.O.O.)	6	-	
EA3.45.515	RING, clamp, ball-race (Mod.4491 - S.O.O.) Attaching parts for EA3.45.515:	1	L72	
AS1242/3C	Bolt, 2BA	8	-	
A27CS	Nut, 2BA	8	-	
SP90C5	Pin, split	8	-	
SP15C	Washer	8	-	
EA1.45.173	SLEEVE, lever mounting	1	L40	DA2/32
EA1.45.105	SOCKET, mounting, elevator control to control column	1	L40	DA2/11
EEAS38/2A	SPOKE, 4BA (Pre Mod.4491)	6	S96	DA2/20
EA1.45.171	TUBE, torque, connecting, socket and lever, 2" o/d x 14 SWG	1	T4	DA2/12
AS1903G16	WASHER, saddle (Mod.4491 - S.O.O.)	12	-	
SP16G	WASHER (Mod.4491 - S.O.O.)	6	-	
	Attaching parts for EA1.45.125 or EA3.45.539:			
EA1.45.1153	Bolt, special	1	S11	DA2/16
A27JS	Nut, slotted, 3/8" BSF	1	-	DA2/18
SP90C7	Pin, split 1/16" dia	1	-	DA2/15
EA1.45.1025	FORK-END Attaching parts for EA1.45.1025:	1	S11	DA3/63
EEAS37/1A	Nipple, 6BA 3/16" dia	4	S96	DA3/60
EEAS38/1A	Spoke, 6BA	2	S96	DA3/61
EA6.45.267	GEAR, bevel	1	S96	DA3/46
EA6.45.265	HOUSING, control column Attaching parts for EA6.45.265:	1	S11	DA3/36
AS1248/8C	Bolt, mush. head 2BA	3	-	DA3/44
AGS2002C1	Nut, stiff, 2BA	3	-	DA3/24
EA1.45.1059	LABEL, quadrant to mesh centrally with control unit	1	L72	DA3/38
EA1.81.148	LABEL (Used on aircraft not embodying Mod.272) (Alt R60/118)	1	-	
EB6.45.37	LABEL	1	-	DA3/38A
EA6.45.215	LEVER, BRAKE CABLE OPERATING, GROUP Spares for:	1	-	DA3/25
EA6.45.217	CAP, for collar member	1	DTD126	DA3/30
EA6.45.219	COLLAR, fulcrum pin retaining	1	DTD683	DA3/32
EA6.45.221	LEVER	1	-	DA3/32A
EA6.45.222	LEVER	1	-	DA3/32B
EA6.45.223	PIECE, distance	1	-	DA3/32C

CONTROLS  
FLYING CONTROLS IN COCKPIT

Part Number	Description	No. Off	Mati. Spec.	Plate No.
SP90B3	. . . . PIN, split, 3/64" dia	2	—	DA3/32D
SP90B5	. . . . PIN, split, 3/64" dia	1	—	DA3/32E
SP15C	. . . . WASHER	2	—	DA3/32F
	Attaching parts for EA6.45.215:			
AGS899/2	. . . . Collar	1	—	DA3/27
SP4Y/B9	. . . . Pin, shackle	1	—	DA3/28
SP90C3	. . . . Pin, split 1/16" dia	1	—	DA3/29
EA6.45.289	. . . . LEVER, pilot's brake operating	1	Mag. Alloy	DA3/1
	Attaching parts for EA6.45.289:			
AGS899/2	. . . . Collar, 3/16" dia	2	—	DA3/9
SP4Y/B14	. . . . Pin, shackle 3/16" dia	1	—	DA3/3
SP4Y/B15	. . . . Pin, shackle 3/16" dia	1	—	DA3/11
SP90C3	. . . . Pin, split 1/16" dia	2	—	DA3/2
SP15C	. . . . Washer	1	—	DA3/10
EA3.45.257	. . . . LUG, brake lever pivot	1	DTD683	DA3/4
	Attaching parts for EA3.45.257:			
EEAS1/1C	. . . . Screw, csk. head 2BA	2	—	DA3/4A
EA6.45.249	. . . . MECHANISM, BRAKE OPERATING, GROUP	1	—	DA3/45
	Consisting of:			
EA6.45.285	. . . . PIN, fulcrum, brake lever cable operating	1	S92	DA3/52
EA6.45.255	. . . . PLUG, screwed, spring retaining	1	DTD683	DA3/64
EA6.45.253	. . . . PLUNGER	1	L40	DA3/59
EA6.45.251	. . . . SHAFT	1	S11	DA3/49
EA1.45.679	. . . . SPRING	1	DTD215	DA3/62
EA6.45.263	. . . . NUT, clamp, bevel gear ballrace retaining	1	DTD683	DA3/41
EA6.45.269	. . . . NUT, clamp, ballrace retaining	1	DTD683	DA3/40
EA6.45.271	. . . . NUT, clamp, ballrace retaining	1	DTD683	DA3/37
A27NT	. . . . NUT, thin, 1/2" BSF	1	—	DA3/37A
EA1.45.153	. . . . PLATE, cover at bottom casting	2	L72	DA2/29
	Attaching parts for EA1.45.153:			
A31B12	. . . . Screw, cheese head 4BA	2	—	DA2/27
SP47B	. . . . Washer, spring	2	—	DA2/26
EA3.45.259	. . . . PLATE, brake locking	1	L72	DA3/20
EA3.45.261	. . . . PLATE, brake mechanism retaining	1	L72	DA3/15
	Attaching parts for EA3.45.261:			
EEAS1/1C	. . . . Screw, csk. head 2BA	2	—	DA3/5
EA6.45.273	. . . . PLATE, cover, brake mechanism	1	DTD683	DA3/43
	Attaching parts for EA6.45.273:			
A33C16	. . . . Screw, csk. head 2BA	4	—	DA3/43A
EB6.45.33	. . . . PLATE, cover, brake mechanism	1	—	DA3/23
	access (Mod.1721)			
EA6.45.283	. . . . PLATE, cover (Used on aircraft not embodying Mod.272)	1	—	
	(Alt.R60/118)			
EA6.45.287	. . . . PLUNGER, brake mechanism operating	1	L40	DA3/12
EA3.45.265	. . . . RING, locking, brake mechanism	1	DTD683	DA3/18
2C3/16S790	. . . . SCREW, conduit clamping	2	—	DA3/18A
A39B10	. . . . SCREW, 4BA	2	—	DA3/13
A31B12	. . . . SCREW	10	—	DA3/14
EA1.31.277	. . . . SHIM, brake mechanism cover plate	4	Alum	DA3/42
EA1.45.123	. . . . SOCKET, conduit, brake cable adjuster	1	L40	DA3/55
EA1.45.1029	. . . . SPHERE, control column locking	1	DTD265	DA2/5
EA3.45.263	. . . . SPRING, locking plate compression	1	DTD215	DA3/22

R

## FLYING CONTROLS IN COCKPIT

Part Number	Description	No. Off	Matl. Spec.	Plate No.
EB6.81.859	. . . . STOP, AIRBRAKE SWITCH OVERSHOOT ASSEMBLY (MOD.1721) Spares for:	1	—	DA3/8
EB6.81.863	. . . . . BASE	1	—	DA3/8A
EB6.81.865	. . . . . PIECE, packing	1	—	DA3/8B
EB6.81.873	. . . . . RAIL, guide	2	—	DA3/8C
EB6.81.861	. . . . . SLIDE	1	—	DA3/8D
EB6.81.871	. . . . . SPRING	1	—	DA3/8E
EB6.81.869	. . . . . SPRING, guide	1	—	DA3/8F
EB6.81.867	. . . . . STUD Attaching parts for EB6.81.859	1	—	DA3/8G
A33B12	. . . . . Screw, csk. head 4BA	2	—	DA3/8H
AGS2036B	. . . . . Washer, shakeproof	2	—	DA3/8J
EA1.45.87	. . . . . SUPPORT, CONTROL COLUMN CASTING, GROUP (PRE MOD.5028)	1	—	DA2/46
EA3.45.695	. . . . . SUPPORT, CONTROL COLUMN, CASTING, GROUP (MOD.5028)	1	—	
EA3.45.5095	. . . . . SUPPORT, CONTROL COLUMN, CASTING, GROUP (MOD.4956) (For aircraft not embodying Mod.5028)	1	—	
EA3.45.5097	. . . . . SUPPORT, CONTROL COLUMN, CASTING, GROUP (MOD.4956) (For aircraft embodying Mod.5028) Spares for:	1	—	
HOFFMANN T17	. . . . . BEARING, ballrace, main control column	2	—	DA2/28
HOFFMANN T25	. . . . . BEARING, ballrace, between sleeve and support casting	2	—	DA2/23
EA1.45.93	. . . . . CASTING, control column support (Pre Mod.5028)	1	DTD289	DA2/25
EA3.45.711	. . . . . CASTING, control column, support (Mod.5028)	1	DTD289	
EA1.45.1027	. . . . . FORK-END	1	S11	DA2/6
EA1.45.961	. . . . . LEVER, AILERON OPERATING, ASSEMBLY Spares for:	1	—	DA2/50
SKEFKO CBA2	. . . . . BEARING, ballrace	1	—	DA2/43
AGS798E	. . . . . EYE-BOLT Attaching parts for AGS798E:	1	—	DA2/53
EA1.45.483	. . . . . Collar	1	L64	DA2/52
A27EP	. . . . . Nut, 1/4" BSF	1	—	DA2/47
EEAS3D	. . . . . HOUSING, ballrace	1	L40	DA2/44
EA1.45.959	. . . . . LEVER, operating	1	DTD683	DA2/51
EEAS4.20C	. . . . . WASHER, packing Attaching parts for EA1.45.961:	2	L72	DA2/41
EA1.45.1033	. . . . . Bolt, special	3	S11	DA2/36
AS1242/4C	. . . . . Bolt, csk. head 2BA	1	—	DA2/49
A27CP	. . . . . Nut, 2BA	4	—	DA2/40
SP15C	. . . . . Washer	1	—	DA2/42
EEAS37/1A	. . . . . NIPPLE, 6BA 3/16" dia (Pre Mod.4956)	4	S96	DA2/38
A27CT	. . . . . NUT, thin, 2BA	2	—	DA2/30

## CONTROLS

## FLYING CONTROLS IN COCKPIT

Part Number	Description	No. Off	Matl. Spec.	Plate No.
EA1.45.103	. . . . SLEEVE, sprocket mounting (Pre-Mod 4956)	1	L40	DA2/45
EA3.45.5099	. . . . SLEEVE, sprocket mounting (Mod 4956) Attaching parts for EA3.45.5099:—	1	L65	
EA3.45.5103	. . . . Bolt, 2BA	2	S97	
A27CS	. . . . Nut, 2BA	2	—	
SP90C5	. . . . Pin, split	2	—	
EA3.45.5101	. . . . Washer, saddle	4	L65	
SP13C	. . . . Washer	2	—	
EEAS38/1A	. . . . SPOKE, 6BA (Pre-Mod 4956)	2	S96	DA2/48
EA1.45.619	. . . . SPROCKET	1	L40	DA2/39
EA1.45.165	. . . . STUD, mounting	2	DTD126A	DA2/37
EA1.45.993	. . . . TUBE, distance, between sprocket and casting	1	T4	DA2/34
D10001L	. . . . SWITCH, Type 8B, No. 1 (For a/c embodying Mod 272)	1	—	DA3/7
XD778	. . . . SWITCH, (Used on aircraft not embodying Mod 272) (Alt. R60/118)	1	—	
XD776	. . . . SWITCH (Pre-Mod 272)	1	—	
EA1.45.971	. . . . TUBE, INNER, AILERON OPERATING, ASSEMBLY (Supplied with bevel gear EA6.45.267) Spares for:—	1	—	DA3/57
HOFFMANN T29	. . . . BEARING, ballrace	1	—	DA3/33
EEAS37/13A	. . . . NIPPLE, 6BA 3/16" dia	4	S96	DA3/48
EA1.45.101	. . . . QUADRANT	1	—	DA3/47A
EEAS38/1A	. . . . SPOKE, 6BA	2	S96	DA3/47
EA1.45.1023	. . . . TUBE, operating, 1 <sup>3</sup> / <sub>4</sub> " o/d x 14 SWG	1	T45	DA3/58
EA1.81.147	. . . . WASHER, packing (Used on aircraft not embodying Mod 272) (Alt. R60/118)	1	—	
SP47B	. . . . WASHER	10	—	DA3/69
EA6.45.261	. . . . WASHER, special	1	DTD683	DA3/34
EA3.45.413	. . . . WASHER, special	1	Alum	DA3/35
SP47G	. . . . WASHER, spring	2	—	DA3/35A
EB6.45.53	. . . . WHEEL, PILOT'S CONTROL ASSEMBLY (MOD.1925) Spares for:—	1	—	DA4/9
DUNLOP ACO21077	. . . . CIRCLIP	1	—	DA4/9A
AGS2030/31	. . . . CIRCLIP	1	—	DA4/9B
EA3.81.351	. . . . CLAMP, intercom, wiring Attaching parts for EA3.81.351:—	2	DTD683	DA4/20
A32A16	. . . . Screw, round head 6BA	2	—	DA4/21
A33B12	. . . . Screw, csk. head 4BA	1	—	DA4/13
AGS2035A	. . . . Washer, shakeproof	2	—	DA4/19
EB6.45.65	. . . . COVER, switch mounting Attaching parts for EB6.45.65:—	1	DTD610	DA4/2
A41B8	. . . . Screw, csk. head 4BA	2	—	DA4/1
EA6.45.243	. . . . COVER, switch intercom. (Pre-Mod 5400) Attaching parts for EA6.45.243:—	1	LFS21	DA4/6
AS1242/2B	. . . . Bolt, csk. head 4BA	2	—	DA4/8
EB6.45.57	. . . . MOUNTING, tailplane, trim and isolating switches Attaching parts for EB6.45.57:—	1	L64 or L65	DA4/7
A33B14	. . . . Screw, csk. head 4BA	2	—	DA4/12

CONTROLS  
FLYING CONTROLS IN COCKPIT

Part Number	Description	No. Off	Matl. Spec.	Plate No.
R EB6.45.59	. . . . . PIN, locking	1	—	DA4/12A
E & I 659	. . . . . SLEEVE, P.V.C. 7 mm x 0.5 mm wall	QR	—	DA4/15
EA6.45.297	. . . . . SOCKET, ASSEMBLY	—	—	DA4/11
A33A8	Spares for:	2	—	DA4/11A
EA6.45.295	. . . . . SCREW, csk. head 6BA	1	—	DA4/11B
DUNLOP	. . . . . SOCKET, switch	—	—	—
R ACM26960	. . . . . SWITCH, c/w wiring, isolating	1	—	DA4/4
DUNLOP	. . . . . SWITCH, c/w wiring, 2 way tailplane trim	1	—	DA4/3
AC14834/7	. . . . . SWITCH, c/w wiring, 2 way tailplane trim	1	—	DA4/3
SMITHS	. . . . . SWITCH, push button	1	—	DA4/14
R C1387	. . . . . SWITCH, push button	1	—	DA4/14
SMITHS	. . . . . SWITCH, push button (Pre Mod.5400)	1	—	DA4/38
R C1387	. . . . . SWITCH, push button (Pre Mod.5400)	1	—	DA4/38
R EA4.82.5375	. . . . . SWITCH, press to transmit, assembly (Mod.5400)	1	—	DA4/39
R EG7.45.27	Spares for:	1	—	DA4/40
R EG7.45.33	. . . . . PIECE, distance	1	—	DA4/40
R EG7.45.33	. . . . . PLATE, cover	1	—	DA4/41
R A33A8	Attaching parts for EG7.45.33:	2	—	DA4/42
R A33A8	. . . . . Screw, 6BA, csk. head	2	—	DA4/42
R PAGE	. . . . . SWITCH	1	—	DA4/43
R B1640H	. . . . . WHEEL, hand	1	—	DA4/10
EB6.45.55	. . . . . COVER, sealing, pilot's control column	1	—	DA8/9
EA3.45.109	. . . . . PEDALS, PILOT'S RUDDER CONTROL BAR, GROUP (PRE MOD.4956)	1	—	DA6/49
EA3.45.7	(For aircraft not embodying Mod.5097)	—	—	—
EA3.45.5227	. . . . . PEDALS, PILOT'S RUDDER CONTROL BAR, GROUP (MOD.4956)	1	—	—
EA3.45.5227	(For aircraft embodying Mod.5097)	—	—	—
EA3.45.57	Spares for:	1	—	DA6/48
EA3.45.5085	. . . . . BEARING, c/w housing and ballrace (Pre Mod.4956)	1	—	DA6/48
EA3.45.5085	. . . . . BEARING, c/w housing and ballrace (Mod.4956)	1	—	DA6/48
R AS1242/3C	Attaching parts for EA3.45.5085:	8	—	DA6/48A
R A27CS	. . . . . Bolt, 2BA	8	—	DA6/48B
R SP90CS	. . . . . Nut, 2BA	8	—	DA6/48C
R EA3.45.5089	. . . . . Pin, split	8	—	DA6/48D
R SP13C	. . . . . Ring, clamp	1	L65	DA6/48E
R SP13C	. . . . . Washer	8	—	DA6/48E
A25/4E	. . . . . BOLT, 1/4" BSF	8	MS	DA6/48A
EA3.45.457	. . . . . CABLE, HYDRAULIC BRAKE CONTROL ASSEMBLY (MOD.1165)	1	—	DA5/20
EA3.45.461	Spares for:	1	DTD683	DA5/3
EA3.45.461	. . . . . BLOCK, pulley support	1	—	DA5/3
EA3.45.465	Attaching parts for EA3.45.461:	1	S92	DA5/17
EA3.45.467	. . . . . Block, tapped	1	S92	DA5/4
A25/1C	. . . . . Block, tapped	1	—	DA5/1
A25/1C	. . . . . Bolt, 2BA	4	—	DA5/1
A25/1/2B	. . . . . BOLT, 4BA	1	—	DA5/6

CONTROLS  
FLYING CONTROLS IN COCKPIT

Part Number	1 2 3 4 5 6	Description	No. Off	Matl. Spec.	Plate No.
EA3.45.171	. . . .	BRACKET, lower pulley and cable guard Attaching parts for EA3.45.171:	1	—	DA5/21
A25/1C	. . . .	Bolt, 2BA	2	—	DA5/16
A27CP	. . . .	Nut, 2BA	2	—	DA5/13
EA3.45.173	. . . .	BRACKET, upper pulley Attaching parts for EA3.45.173:	1	L72	DA5/8
A25/1C	. . . .	Bolt, 2BA	2	—	DA5/12
A27CP	. . . .	Nut, 2BA	2	—	DA5/7
EA3.45.463	. . . .	GUIDE, cable Attaching parts for EA3.45.463:	1	S92	DA5/14
A25/4B	. . . .	Bolt, 4BA	1	—	DA5/11
SP13B	. . . .	Washer	1	—	DA5/10
EA3.45.459	. . . .	PULLEY, assembly, at control column Attaching parts for EA3.45.459:	1	—	DA5/18
A25/7E	. . . .	Bolt, ¼" BSF	1	—	DA5/2
EA3.45.469	. . . .	Washer	2	—	DA5/5
AS111	. . . .	PULLEY, at brake control valve Attaching parts for AS111:	1	—	DA5/15
A25/5E	. . . .	Bolt, ¼" BSF	1	—	DA5/9
A27ES	. . . .	Nut, slotted, ¼" BSF	1	—	DA5/22
SP90C7	. . . .	Pin, split, 1/16" dia	1	—	DA5/23
SP13E	. . . .	Washer	1	—	DA5/19
SP13B	. . . .	WASHER	1	—	DA5/19A

AP101B-0402-3A

Page DA 8A

CONTROLS  
FLYING CONTROLS IN COCKPIT

Part Number	Description	No. Off	Matl. Spec.	Plate No.
R EA3.45.63	. . . . LEVER AND SPROCKET ASSEMBLY (PRE MOD.4956)	1	—	DA6/52
R EA3.45.5073	. . . . LEVER AND SPROCKET ASSEMBLY (MOD.4956)	1	—	
R EA3.45.5075	. . . . LEVER AND BOSS ASSEMBLY (MOD.4956) (Alternative to EA3.45.5073) Spares for:	1	—	
R SKEFCO				
R CBA2	. . . . . BALLRACE (PRE MOD.4956)	1	—	DA6/52A
R EEAS3D	. . . . . HOUSING, ballrace (PRE MOD.4956)	1	—	DA6/52B
R EA1.45.307	. . . . . LEVER (PRE MOD.4956)	1	—	DA6/52C
R EA3.45.5217	. . . . . LEVER ASSEMBLY (MOD.4956) Spares for:	1	—	DA6/53
R SKEFCO				
R CBA2	. . . . . BALLRACE	1	—	DA6/52A
R EEAS3D	. . . . . HOUSING, ballrace	1	—	DA6/52B
R EA3.45.5077	. . . . . LEVER	1	—	DA6/54
R EEAS.4/20C	. . . . . WASHER, packing	2	—	DA6/52E
R EA3.45.5083	. . . . . RING, clamping (MOD.4956)	1	—	DA6/55
R EA3.45.59	. . . . . SPROCKET (PRE MOD.4956)	1	—	DA6/52D
R EA3.45.5079	. . . . . SPROCKET (MOD.4956)	1	—	DA6/56
R EA3.45.5081	. . . . . BOSS (MOD.4956) (Alternative to EA3.45.5079) Attaching parts for EA3.45.5079 or EA3.45.5081:	1	—	DA6/57
R AS1242/10C	. . . . . Bolt, 2BA	10	—	DA6/58
R A27CS	. . . . . Nut, slotted, 2BA	10	—	DA6/59
R SP90C5	. . . . . Pin, split	10	—	DA6/60
R SP13C	. . . . . Washer	10	—	DA6/61
R EEAS4/20C	. . . . . WASHER, packing (PRE MOD.4956) Attaching parts for EA3.45.63:	2	—	DA6/52E
R EEAS37/8A	. . . . Nipple, 4BA (PRE MOD.4956)	4	S96	DA6/50
R EEAS38/2A	. . . . Spoke, 4BA (PRE MOD.4956) Attaching parts for EA3.45.5073 or EA3.45.5075:	2	S11	DA6/51
R EEAS95/16G	. . . . Bolt, 5/16" BSF (MOD.4956)	2	—	DA6/62
R A27GS	. . . . Nut, 5/16" BSF (MOD.4956)	2	—	DA6/63
R SP90C8	. . . . Pin, split (MOD.4956)	2	—	DA6/64
R EA3.45.5091	. . . . Washer, saddle (MOD.4956)	4	—	DA6/65
R SP13G	. . . . Washer (MOD.4956)	2	—	DA6/66
R EA3.45.253	. . . . PEDALS, PILOT'S RUDDER CONTROL ASSEMBLY Spares for:	1	—	DA6/47
R AS2183	. . . . . ARM, rudder bar assembly Spares for:	2	—	DA6/4
R AS2187	. . . . . EYE-BOLT Attaching parts for AS2187:	1	—	DA6/21
R A24JS	. . . . . Nut, slotted, 3/8" BSF	1	—	DA6/19
R SP90C7	. . . . . Pin, split	1	—	DA6/30

CONTROLS  
FLYING CONTROLS IN COCKPIT

Part Number	Description 1 2 3 4 5 6	No. Off	Matl. Spec.	Plate No.

CONTROLS  
FLYING CONTROLS IN COCKPIT

Part Number	Description	No. Off						Matl. Spec.	Plate No.
		1	2	3	4	5	6		
	Attaching parts for AS2183:								
AS2180	Bush, upper						1	—	DA6/15
AS2226	Bush, lower						1	—	DA6/35
AS2224	Cap-nut						1	—	DA6/3
SP90E10	Pin, split, 3/32" dia						1	—	DA6/5
AS2181	Shim						1	—	DA6/13
HOFFMANN									
T21	BEARING, ballrace						1	—	DA6/42
AS2175	CAP, worm adjusting						2	—	DA6/25
AS2178	COLLAR, worm adjusting						1	—	DA6/26
	Attaching parts for AS2178:								
AGS859/24	Pin, taper						1	—	DA6/27
AS2231	LINK, adjusting						4	—	DA6/20
	Attaching parts for AS2231:								
AS2196	Bolt, special						2	—	DA6/14
AS2197	Nut, special						2	—	DA6/23
SP90C5	Pin, split, 1/16" dia						2	—	DA6/28
AS2206	LINK-BAR, assembly						2	—	DA6/16
	Attaching parts for AS2206:								
AS2202	Bolt, pivot						1	—	DA6/29
AS2203	Bolt, pivot						2	—	DA6/45
A24CS	Nut, slotted, 2BA						3	—	DA6/18
A24EP	Nut, 1/4" BSF						3	—	DA6/41
SP90C5	Pin, split, 1/16" dia						3	—	DA6/17
SP14C	Washer						3	—	DA6/22
SP15E	Washer						3	—	DA6/39
AS2198	PEDAL, GROUP (Pre Alt.R60/49 — Pre Mod.5098)						1	—	DA6/44
AS46745	PEDAL, sub-assembly, L.H. (Alt. R60/49 — Mod.5098)						1	—	
	Spares for:								
AS2213	PEDAL						1	—	DA6/44B
AS2219	PLATE, foot						1	—	DA6/44A
AS4568	STIRRUP (Pre Alt.R60/49 — Pre Mod.5098)						1	—	DA6/34
AS46744	STIRRUP (Alt.R60/49 — Mod.5098)						1	—	
	Attaching parts for AS2219 and AS4568:								
AS4565/2C	Bolt, round head 2BA						4	—	DA6/34A
A29CP	Nut, 2BA						4	—	DA6/34B
AS2199	PEDAL, GROUP (Pre Alt.R60/49 — Pre Mod.5098)						1	—	DA6/1
AS46746	PEDAL, sub-assembly, R.H. (Alt.R60/49 — Mod.5098)						1	—	
	Spares for:								
AS2215	PEDAL						1	—	DA6/1B
AS2219	PLATE, foot						1	—	DA6/1A
AS4568	STIRRUP (Pre Alt.R60/49 — Pre Mod.5098)						1	—	DA6/2
AS46744	STIRRUP (Alt.R60/49 — Mod.5098)						1	—	
	Attaching parts for AS2219 and AS4568:								
AS4565/2C	Bolt, round head 2BA						4	—	DA6/2A
A29CP	Nut, 2BA						4	—	DA6/2B
	Attaching parts for AS2198 and AS2199:								
AS2209	Bolt, pivot						1	—	DA6/38
A24JS	Nut, slotted, 3/8" BSF						1	—	DA6/32
AS2210	Piece, distance						2	—	DA6/33
SP90C7	Pin, split 1/16" dia						1	—	DA6/31
AS2191	PEDESTAL						1	—	DA6/46
AS2189	PLATE, support						1	—	DA6/40

CONTROLS  
FLYING CONTROLS IN COCKPIT

Part Number	1 2 3 4 5 6	Description	No. Off	Matl. Spec.	Plate No.
A25/1C		Attaching parts for AS2189:			
AS2242		Bolt, 2BA	4	—	DA6/36
		Washer, tab	1	—	DA6/37
AS2179		PLATE, wheel adjustment	1	—	DA6/11
AS2412		SLEEVE, screwed	1	—	DA6/8
AS2411		WORM, adjusting	1	—	DA6/9
		Attaching parts for AS2412 and AS2411:			
AS3399		Bolt, taper	2	—	DA6/24
A24ES		Nut, slotted, 1/4" BSF	2	—	DA6/12
SP90C7		Pin, split, 1/16" dia	2	—	DA6/6
AS3398		Washer	2	—	DA6/7
AS2188		SPINDLE	1	—	DA6/43
AS2177		WHEEL, adjusting	1	—	DA6/10
EA3.45.249		UNIT, BRAKE CONTROL, ASSEMBLY	1	—	DA5/24
		Spares for:			
A25/1C		BOLT, 2BA	4	—	DA5/24A
EA3.45.251		BRACKET, support	1	L72	DA5/45
		Attaching parts for EA3.45.251:			
A25/1C		Bolt, 2BA	6	—	DA5/44
EA3.45.189		CAM, plate guide	1	DTD683	DA5/43
		Attaching parts for EA3.45.189:			
A25/4C		Bolt, 2BA	2	—	DA5/36
AS1242/4C		Bolt, csk. head 2BA	1	—	DA5/38
SP47C		Washer, spring	2	—	DA5/40
EA3.45.191		LEVER, brake valve operating	1	S96	DA5/33
		Attaching parts for EA3.45.191:			
A25/6C		Bolt	1	—	DA5/35
A27CS		Nut, slotted 2BA	1	—	DA5/25
SP90C7		Pin, split, 1/16" dia	1	—	DA5/30
EA3.45.193		LINK, TIE BETWEEN VALVE OPERATING LEVER AND RUDDER CONTROL LEVER	1	S11	DA5/42
		Spares for:			
EA3.45.187		FORK-END	1	—	DA5/27
SP3Y413L		FORK-END	1	—	DA5/34
A27CT		NUT, thin, 2BA	1	—	DA5/28
A27CTL		NUT, thin, 2BA	1	—	DA5/29
EA3.45.193A		ROD	1	S11	DA5/41
		Attaching parts for EA3.45.193:			
AGS899/2		Collar	2	—	DA5/26
EA3.45.195		Pin, special	1	S11	DA5/37
SP4YB11		Pin, shackle	1	—	DA5/32
SP90C7		Pin, split, 1/16" dia	2	—	DA5/31
SP15C		Washer	1	—	DA5/39
SP47C		WASHER, spring	4	—	DA5/39A
EA1.45.477		SPRING, torsion, between aileron control and tension lever	1	DTD215	DA4/37

CONTROLS  
FLYING CONTROLS IN COCKPIT

Part Number	Description	No. Off	Mati. Spec.	Plate No.
EA3.45.477	. COVER, PRESSURE BOX, ASSEMBLY (MOD.1407) Spares for:	—	—	DA7/38
EA3.45.479	. . COVER, access	1	—	DA7/28
EA3.45.475	. . PANEL, assembly	1	—	DA7/34
EA3.45.21	. MOUNTING, AILERON, ELEVATOR AND RUDDER CONTROL LEVERS AT PRESSURE BULKHEAD, ASSEMBLY Spares for:	1	—	DA7/15
EA3.45.121	. . BAR, stop, top	1	DTD300	DA7/24
EA3.45.123	. . BAR, stop, bottom Attaching parts for EA3.45.121 and EA3.45.123:	1	DTD300	DA7/35
A25/9C	. . Bolt, 2BA	4	—	DA7/20
AGS2001C1/66	. . Nut, stiff, 2BA	4	—	DA7/31
SP16C	. . Washer	4	—	DA7/29
EA3.45.27	. . BOLT, stip, control levers	5	—	DA7/32
EA1.45.1207	. . BOLT, stop, elevator at pressure bulkhead	1	S11	DA7/33
EA3.45.125	. . BRACKET, stop, bar	6	—	DA7/27
EA3.45.255	. . BRACKET, stop, bar Attaching parts for EA3.45.125 and EA3.45.255:	2	—	DA7/21
A25/1C	. . Bolt, 2BA	2	—	DA7/25
A25/2C	. . Bolt, 2BA	2	—	DA7/25A
AS1242/2C	. . Bolt, csk, head 2BA	2	—	DA7/26
AGS2001C1/66	. . Nut, stiff, 2BA	2	—	DA7/22
SP16C	. . Washer	2	—	DA7/23
EA3.45.23	. . CASING, lever control	1	—	DA7/37
EA3.45.537	. . LEVER, CONTROL, ASSEMBLY (MOD.4489) Spares for:	1	—	DA7/1
EA1.45.367	. . . DOWEL	3	S1	DA7/12
EA1.45.361	. . . END-PIECE, control lever mounting Attaching parts for EA1.45.361:	2	L40	DA7/13
A25/2C	. . . Bolt, 2BA	2	—	DA7/9
AS1242/4C	. . . Bolt, csk, head 2BA	3	—	DA7/9A
AGS2001C1/66	. . . Nut, stiff, 2BA	5	—	DA7/11
SP124D	. . . Washer	2	—	DA7/10
SP125D	. . . Washer	3	—	DA7/10A
EA1.45.349	. . . HOUSING	1	DTD289	DA7/14
EA1.45.345	. . . LEVER, c/w ballrace Attaching parts for EA1.45.345:	6	—	DA7/2
A59/7E	. . . Bolt	2	S96	DA7/5
AGS2001E1/66	. . . Nut, stiff, 1/4" BSF	2	—	DA7/3
SP124E	. . . Washer	2	—	DA7/4
EA3.45.535	. . . PIECE, packing	2	—	DA7/4A
EA1.45.351	. . . RING, sealing, outboard	1	L45	DA7/17
EA1.45.353	. . . RING, sealing, centre	1	L45	DA7/18
EA1.45.355	. . . RING, sealing, inner Attaching parts for EA3.45.537:	1	L45	DA7/16
A25/4C	. . Bolt, 2BA	12	—	DA7/6
A25/3C	. . Bolt, 2BA	4	—	DA7/8
AGS2001C1/66	. . Nut, stiff, 2BA	16	—	DA7/7

CONTROLS  
FLYING CONTROLS IN COCKPIT

Part Number	Description	No. Off	Matl. Spec.	Plate No.
A27JT	. . NUT, thin, 3/8" BSF, locking stop bolt	6	—	DA7/30
EA3.45.25	. . SEAL, rubber, between control lever casing and pressure bulkhead	1	—	DA7/36
R EA3.45.11	. MOUNTING, ELEVATOR, CONTROL LEVER, ASSEMBLY (PRE MOD.4491)	1	—	
EA3.45.543	. MOUNTING, ELEVATOR, CONTROL LEVER, ASSEMBLY (MOD.4491 — S.O.O.) Spares for:	1	—	DA8/12
R HOFFMANN T17	. . BEARING, ballrace	2	—	DA8/13
EA3.45.103	. . BOBBIN Attaching parts for EA3.45.103:	1	—	DA8/14
EEAS37/14A	. . Nipple, 1/4" dia, 4BA	4	—	DA8/15
EEAS38/2A	. . Spoke, 4BA	2	—	DA8/16
EA1.45.267	. . HOUSING, ballrace	1	—	DA8/17
EA1.45.269	. . HOUSING, ballrace	1	—	DA8/18
R EA1.45.289	. . LEVER, ELEVATOR OPERATING, ASSEMBLY (PRE MOD.4491)	1	—	
EA3.45.533	. . LEVER, ELEVATOR OPERATING, ASSEMBLY (MOD.4491 — S.O.O.) Spares for:	1	—	DA8/19
SKEFKO CBA2	. . . BEARING, ballrace	2	—	DA8/20
EEAS3D	. . . HOUSING, ballrace	2	—	DA8/21
R EA1.45.273	. . . LEVER (PRE MOD.4491)	1	L65	
R EA3.45.527	. . . LEVER (MOD.4491 — S.O.O.) (Pt. No. EA1.45.273 modified)	1	—	DA8/22
EEAS4/20C	. . . WASHER, packing Attaching parts for EA3.45.533:	4	—	DA8/23
AS1242/4E	. . Bolt, csk. head 1/4" BSF	6	—	DA8/24
A27ES	. . Nut, slotted, 1/4" BSF	6	—	DA8/25
SP90C5	. . Pin, split, 1/16" dia	6	—	DA8/26
SP16E	. . Washer	6	—	DA8/27
EA3.45.513	. . RING, clamp (Mod.4491 — S.O.O.) Attaching parts for EA3.45.513:	1	—	DA8/28
AS1242/3C	. . Bolt, 2BA (Pre ASD726 repair)	6	—	DA8/29
ASD726RS1	. . Bolt, special (ASD726 repair)	6	S96	
AGS2012C11	. . Nut, anchor, 2BA (Pre ASD726 repair)	6	—	DA8/30
AGS2008E1	. . Nut, anchor, 1/4" BSF (ASD726 repair)	6	—	
EA1.45.271	. . SHAFT	1	—	DA8/31
EA3.45.309	. TUBE, CONTROL, INTERMEDIATE, FROM CONTROL COLUMN TO ELEVATOR AT REAR OF PRESSURE BULKHEAD GROUP (PRE MOD.4930)	1	—	DA1/26
EA3.45.651	. TUBE, CONTROL, INTERMEDIATE, FROM CONTROL COLUMN TO ELEVATOR AT REAR OF PRESSURE BULKHEAD GROUP (MOD.4930) Spares for:	1	—	
EEAS47/2	. . FORK-END, adjusting	1	DTD683	DA1/16
A29NP	. . NUT, lock, 1/2" BSF	1	—	DA1/16A
EA3.45.339	. TUBE, CONTROL, FROM CONTROL COLUMN TO AILERON CONTROL LEVER AT REAR OF PRESSURE BULKHEAD GROUP (PRE MOD.4930)	1	—	DA1/41

AP101B-0402-3A

CONTROLS  
FLYING CONTROLS IN COCKPIT

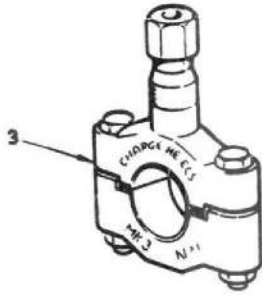
Part Number	Description	No. Off	Matl. Spec.	Plate No.
EA3.45.661	. TUBE, CONTROL, FROM CONTROL COLUMN TO AILERON CONTROL LEVER AT REAR OF PRESSURE BULKHEAD GROUP (MOD.4930) Spares for:	1	—	
EA3.45.329	. . TUBE, control forward portion (Pre Mod.4930)	1	—	DA1/35
EA3.45.657	. . TUBE, control forward portion (Mod.4930)	1	—	
EA3.45.335	. . TUBE, CONTROL, AFT, GROUP (PRE MOD.4930)	1	—	DA1/39
EA3.45.659	. . TUBE, CONTROL, AFT, GROUP (MOD.4930) Spares for:			
EEAS47/2	. . . FORK-END, adjusting	1	DTD683	DA1/37
A29NP	. . . NUT, lock, ½" BSF Attaching parts for EA3.45.329 and EA3.45.657 or EA3.45.335 and EA3.45.659:	1	—	DA1/37A
A25/22C	. . Bolt, 2BA	2	—	DA1/43
AS484JA	. . Bush, taper, shear	4	—	DA1/33
A27CS	. . Nut, slotted, 2BA	2	—	DA1/31
SP90C7	. . Pin, split	2	—	DA1/29
EA3.45.345	. TUBE, CONTROL FROM PILOT'S RUDDER BAR TO RUDDER LEVER AT REAR OF PRESSURE BULKHEAD, GROUP (PRE MOD.4930)	1	—	DA1/42
EA3.45.665	. TUBE, CONTROL FROM PILOT'S RUDDER BAR TO RUDDER LEVER AT REAR OF PRESSURE BULKHEAD, GROUP (MOD.4930) Spares for:	1	—	
EA3.45.329	. . TUBE, control forward portion (Pre Mod.4930)	1	—	DA1/36
EA3.45.657	. . TUBE, control forward portion (Mod.4930)			
EA3.45.341	. . TUBE, AFT PORTION, GROUP (PRE MOD.4930)	1	—	DA1/40
EA3.45.663	. . TUBE, AFT PORTION, GROUP (MOD.4930) Spares for:	1	—	
EEAS47/2	. . . FORK-END, adjusting	1	DTD683	DA1/38
A27NT	. . . NUT, lock, ½" BSF Attaching parts for EA3.45.329 and EA3.45.657 or EA3.45.341 and EA3.45.663:	1	—	DA1/38A
A25/22C	. . Bolt, 2BA	2	—	DA1/44
AS484JA	. . Bush	4	—	DA1/34
A27CS	. . Nut, slotted, 2BA	2	—	DA1/32
SP90C7	. . Pin, split	2	—	DA1/30
EA3.45.347	. TUBE, CONTROL, FROM CONTROL COLUMN LEVER TO ELEVATOR LEVER, GROUP (PRE MOD.4930)	1	—	DA1/25
EA3.45.667	. TUBE, CONTROL, FROM CONTROL COLUMN LEVER TO ELEVATOR LEVER, GROUP (MOD.4930) Spares for:	1	—	
EEAS47/2	. . . FORK-END, adjusting	1	DTD683	DA1/17
A29NP	. . . NUT, lock, ½" BSF	1	—	DA1/17A
EA3.45.351	. TUBE, CONTROL, AILERON AND RUDDER AT REAR OF PRESSURE BULKHEAD, GROUP (PRE MOD.4930)	3	—	DA1/24
EA3.45.669	. TUBE, CONTROL, AILERON, ELEVATOR AND RUDDER AT REAR OF PRESSURE BULKHEAD, GROUP (MOD.4930)	3	—	

R

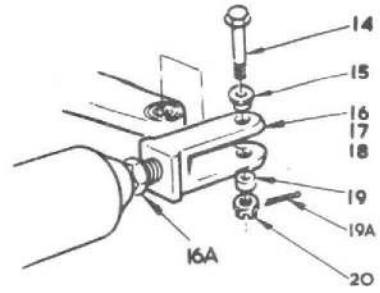
CONTROLS  
FLYING CONTROLS IN COCKPIT

Part Number	Description	No. Off	Matl. Spec.	Plate No.
EEAS47/2 A29NP	Spares for: . . FORK-END, adjustable . . NUT, lock, 1/2" BSF	1 1	DTD683 -	DA1/18 DA1/18A
EEAS13/1 EEAS14 EEAS63E EEAS127 SP90C7	Attaching parts for control tubes: . Bolt . Bush . Nut . Piece, distance . Pin, split	1 2 2 2 2	S96 S96 S96 S96 -	DA1/14 DA1/15 DA1/20 DA1/19 DA1/19A
EA3.45.545	. UNIT SNATCH, ELEVATOR CONTROL INSTALLATION (MOD.4435)	1	-	DA8/11
EA1 45.609 EA3.45.437 or MBEU1806EE AGS2002E1 EA1.45.747 EA1.45.613 or MBEU1805EE EA1.45.611	Spares for: . . BRACKET . . BUSH . . BUSH . . NUT, thin, 1/4" BSF . . PLATE, packing . . STUD . . STUD . . SUPPORT	1 1 1 2 2 1 1	- - - - - L65 -	DA8/8 DA8/6  DA8/3 DA8/8A DA8/5  DA8/2
A25/4C AGS2001C1-66	Attaching parts for EA1.45.611: . . Bolt, 2BA . . Nut, 2BA	4 4	- -	DA8/1 DA8/7
HELLERMAN- INSULOID LTD LKOX-HS-B	. . TIE, cable, unsulox black	QR	-	
MARTIN- BAKER MBCJ2106 SP15E	. . UNIT, snatch . . WASHER	1 2	- -	DA8/10 DA8/4

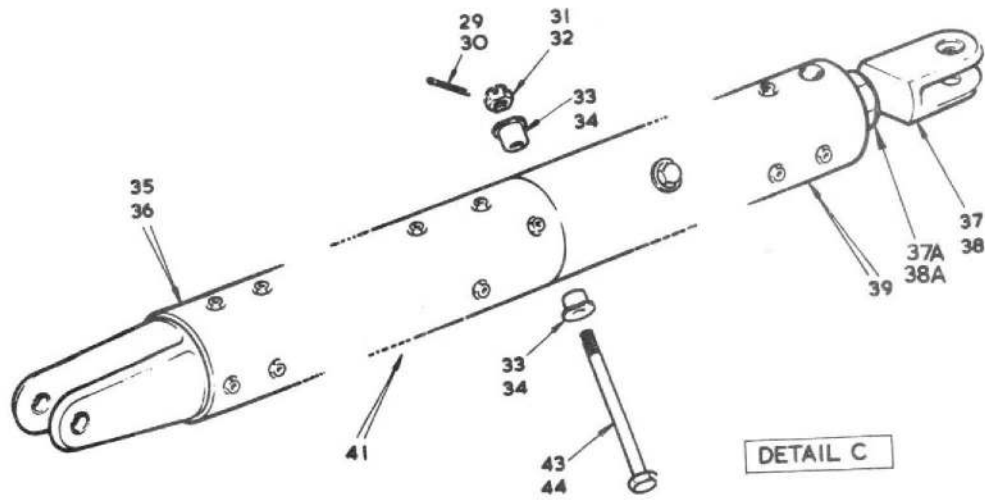
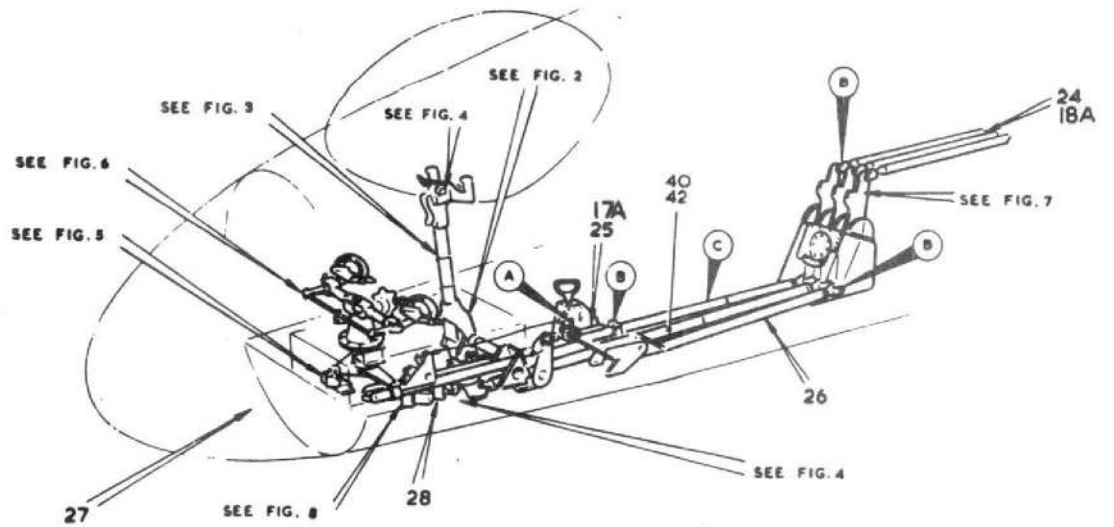
R



DETAIL A



DETAIL B



DETAIL C

FIG. 1 FLYING CONTROLS IN COCKPIT

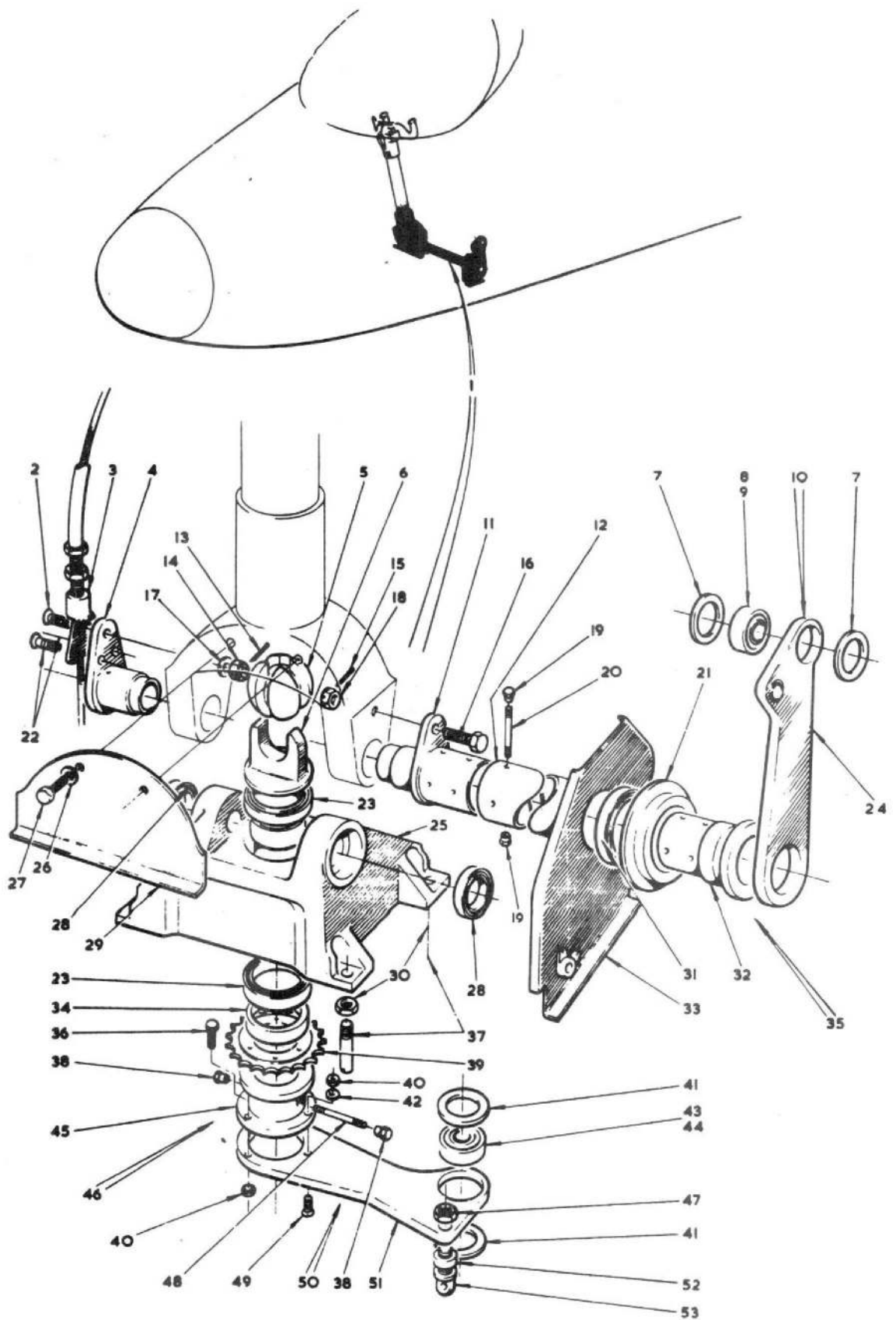
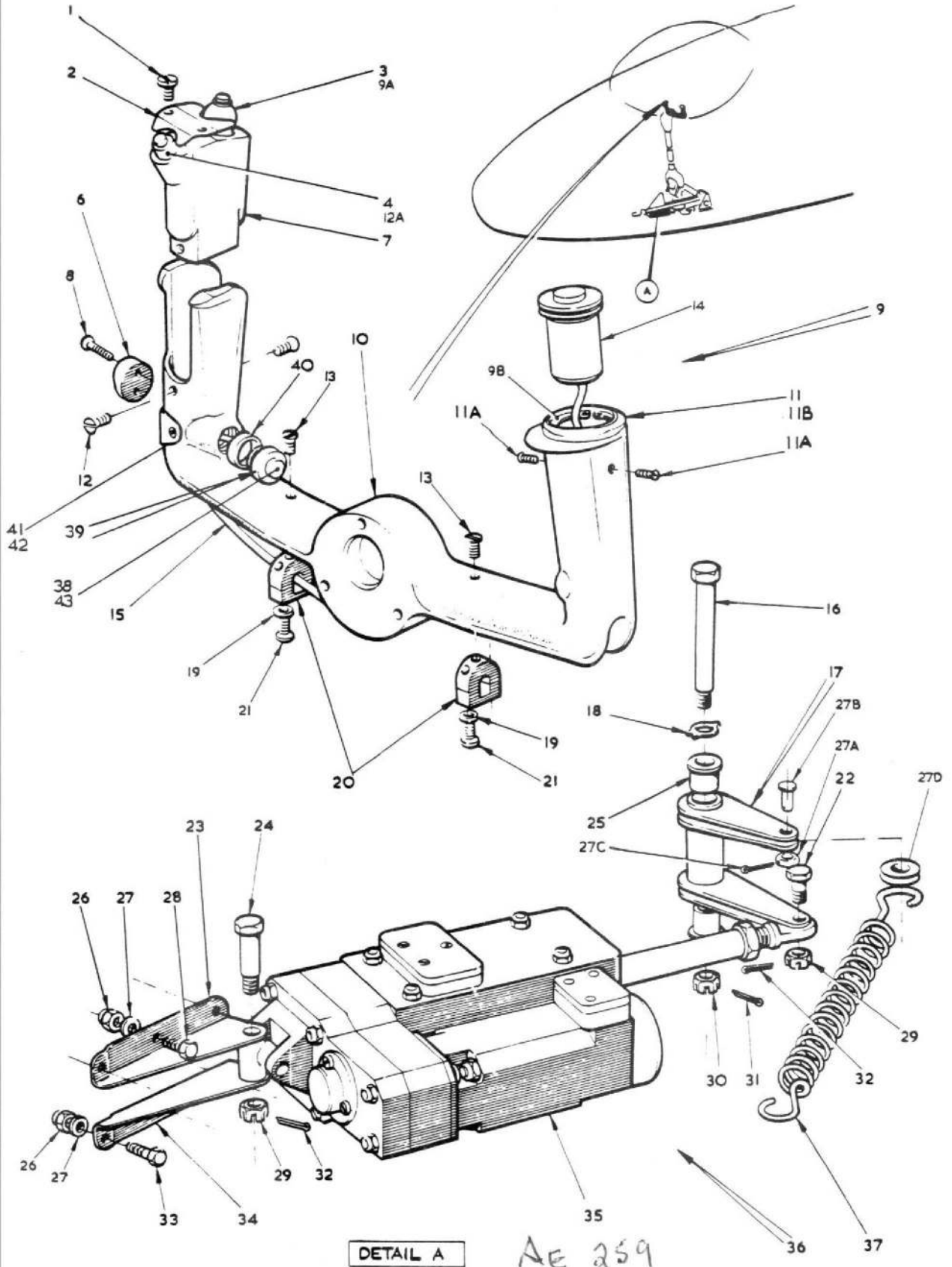


FIG. 2 FLYING CONTROLS IN COCKPIT





DETAIL A

AE 259  
4K 2

FIG. 4 FLYING CONTROLS IN COCKPIT

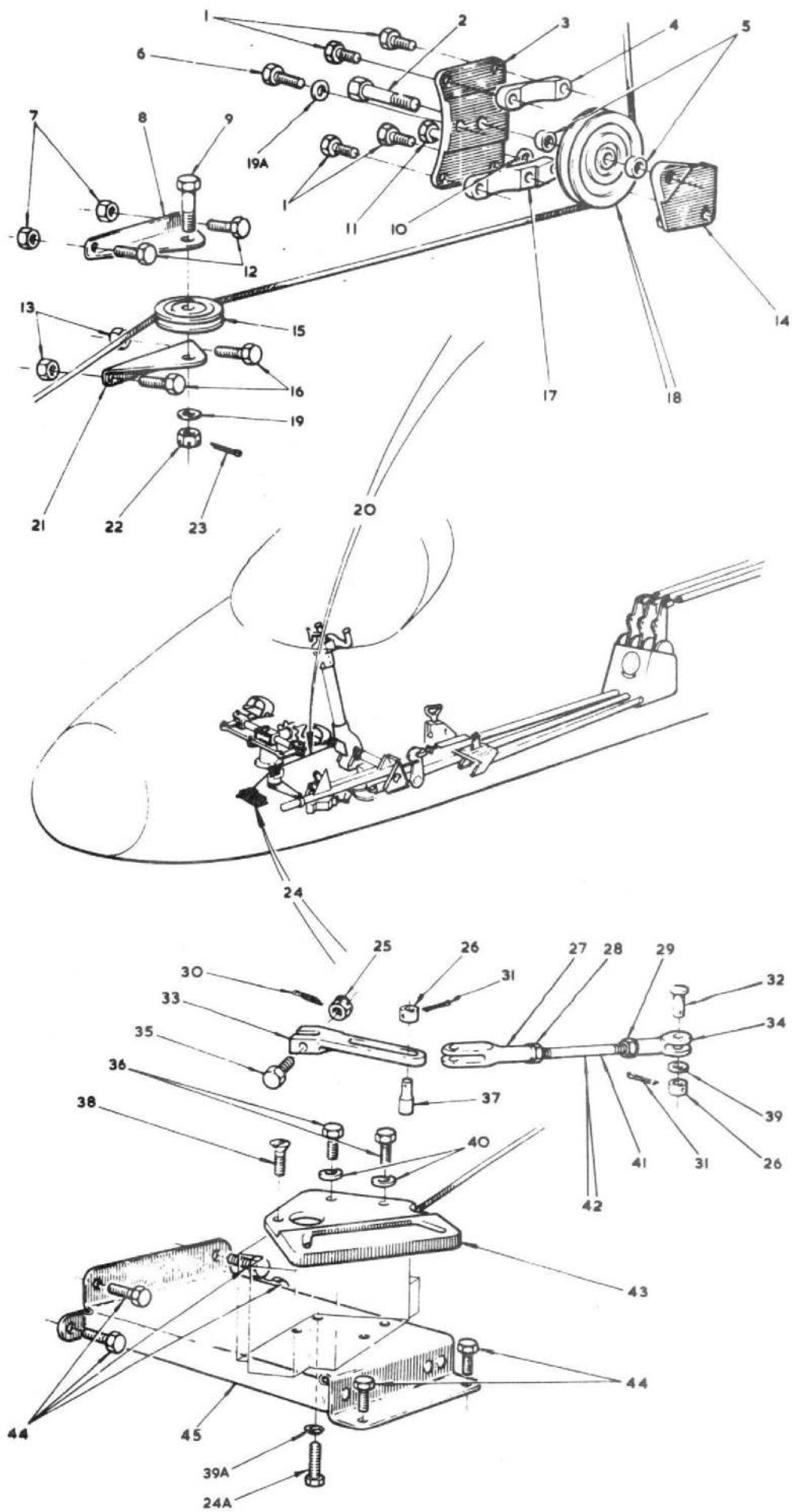


FIG. 5 FLYING CONTROLS IN COCKPIT

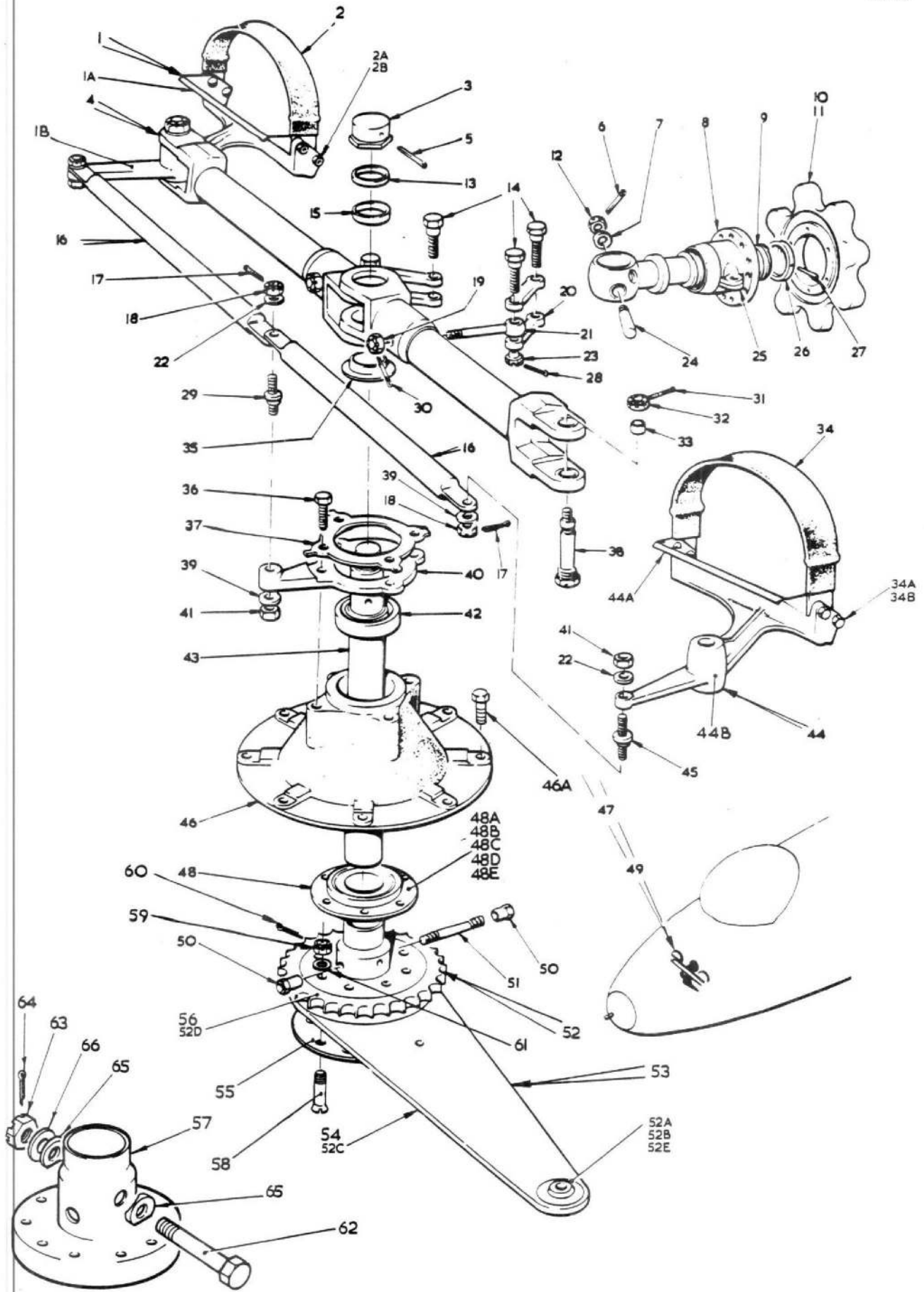


FIG. 6 FLYING CONTROLS IN COCKPIT

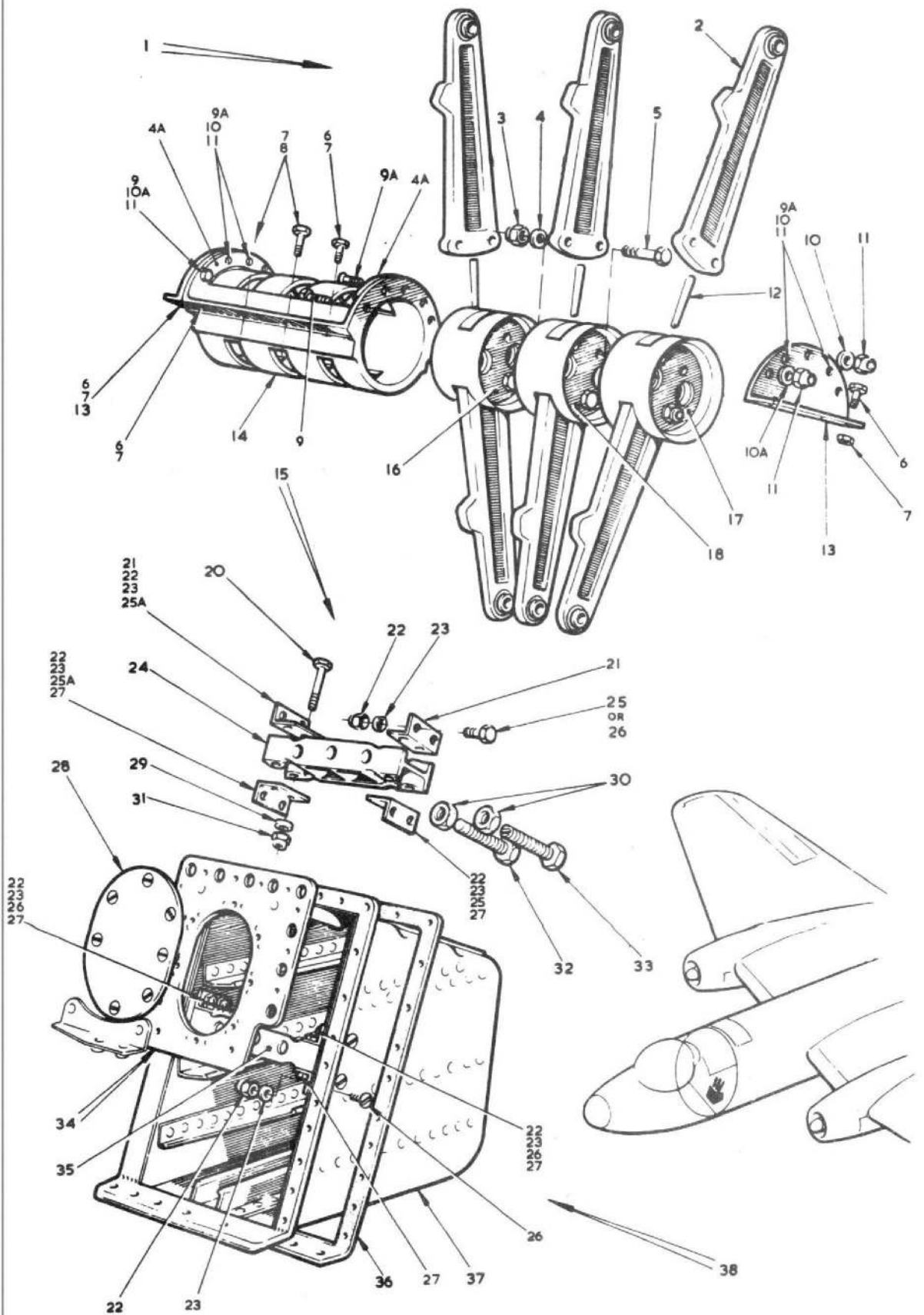


FIG.7 FLYING CONTROLS IN COCKPIT

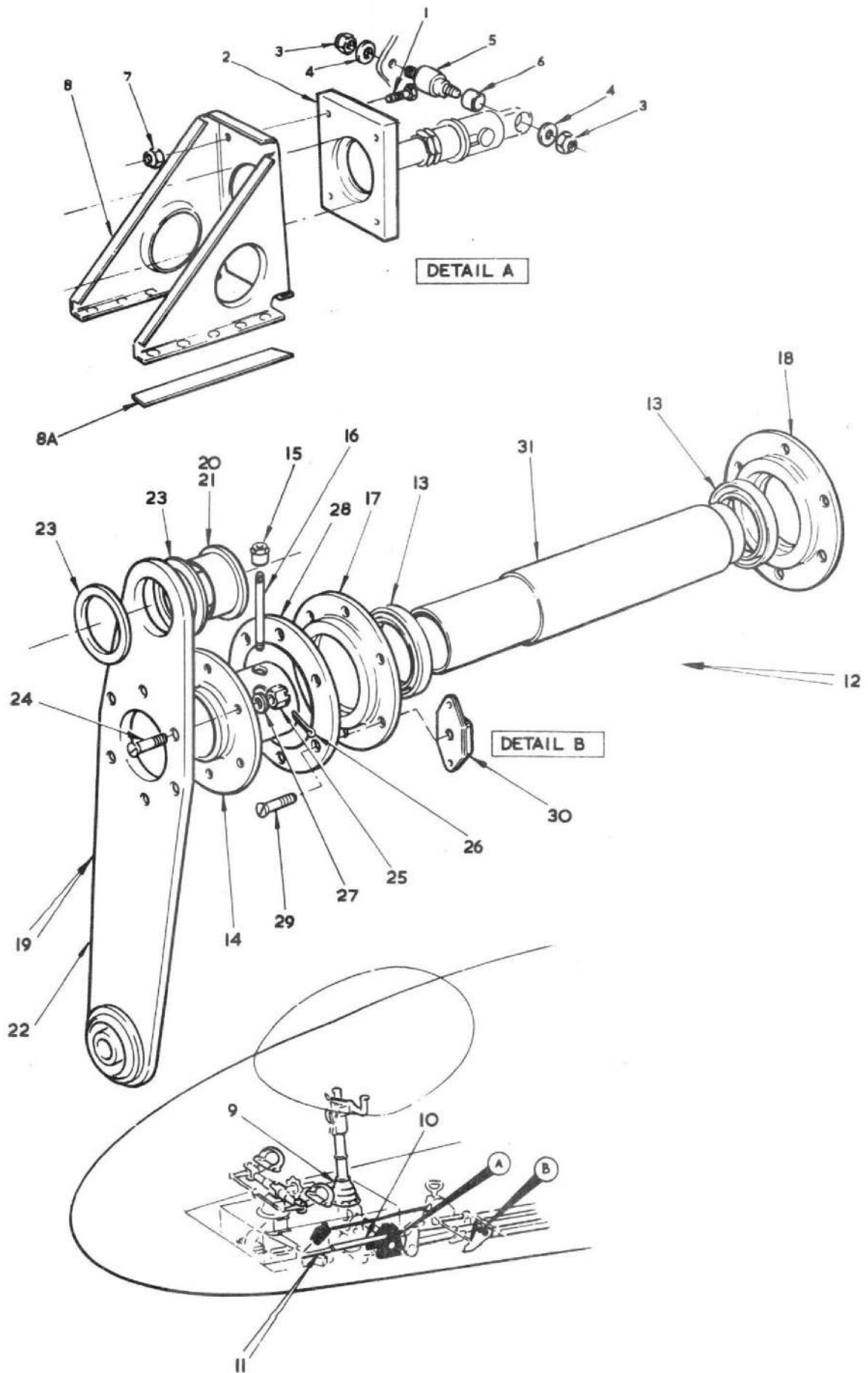


FIG. 8 FLYING CONTROLS IN COCKPIT

This file was downloaded  
from the RTFM Library.

Link: [www.scottbouch.com/rtfm](http://www.scottbouch.com/rtfm)

Please see site for usage terms,  
and more aircraft documents.

