

## CONTROLS

## FLYING CONTROLS IN CENTRE FUSELAGE

Ref. No.	Part No.	Description	No. off	Matl. Spec.	Cl. of Equip M.R. L.M.	Plate No.
	EA3.45.379	CONTROLS, FLYING IN CENTRE FUSELAGE ASSEMBLY	—	—	—	DB1/1
7769	EA1.45.215	LEVERS, AILERON AND MOUNTING AT FRAME 22, ASSEMBLY (PRE—MOD 4956) (For Aircraft Not Embodying Mod 5097)	1	—	B	DB1/2
	EA1.45.217	LEVER ASSEMBLY	1	—	—	DB1/3
2A/9500420	HOFFMANN T21	BEARING, ballrace	2	—	B	DB1/4
	EA1.45.223	LEVER, top assembly	1	—	—	DB1/5
	EA1.45.225	LEVER, bottom assembly	1	—	—	DB1/6
21199	EA1.45.1031	SPINDLE	1	—	—	DB1/7
	EA1.45.243	SPOOL, retaining	1	—	C	DB1/8
1095	EEAS37/14A	Nipple	4	—	C	DB1/9
1571	EEAS38/2A	Spoke	2	S96	—	DB1/10
6119465	EA3.00.5427	LEVERS, AILERON AND MOUNTING AT FRAME 22, ASSEMBLY (EA3.45.5105) (MOD 4956) (For Aircraft Embodying Mod 5097)	1	—	—	
	EA3.45.5107	LEVER, ASSEMBLY	1	—	—	
	EA3.45.5109	LEVER, assembly, top	1	—	—	
28D/1212825	AS1242/4E	Bolt, 1/4" BSF	4	—	—	
28M/1011467	A27ES	Nut, 1/4" BSF	4	—	—	
28P/9486478	SP90C5	Pin, split	4	—	—	
28W/9418921	SP13E	Washer	4	—	—	
	EA3.45.5113	LEVER, assembly, bottom	1	—	—	
28D/1013178	AS1242/5E	Bolt, 1/4" BSF	6	—	C	
28M/1011467	A27ES	Nut, 1/4" BSF	6	—	C	
28P/9486478	SP90C5	Pin, split	6	—	C	
	EA3.45.5155	Ring, clamp	1	L56	—	
28W/9418921	SP13E	Washer	6	—	C	
	EA3.45.5121	PLATE, assembly, bottom	1	—	—	
	EA3.45.5117	PLATE, assembly, top	1	—	—	
	EA3.45.5151	SPINDLE	1	S92	—	
	EA3.45.5157	SPOOL, retaining, spindle	1	L65	—	
	EA3.45.5159	Bolt, shouldered, 2BA, lower	1	S97	—	
28M/5808573	EEAS95/16E	Bolt, 1/4" BSF, upper	1	—	—	
28M/1011467	A27CS	Nut, 2BA	1	—	C	
28P/9486478	A27ES	Nut, 1/4" BSF	1	—	C	
	SP90C5	Pin, split	2	—	C	
28W/9419402	EA3.45.5167	Washer, saddle (Make from AGS1903E12)	4	—	LM	
	SP13C	Washer, lower bolt (if required)	1	—	C	
		Attaching parts for EA3.00.5427:—				
28D/9436920	A25/1C	Bolt, 2BA	14	—	C	
28D/9133011	A25/2C	Bolt, 2BA	10	—	C	
28D/9435710	A25/11C	Bolt, 2BA	2	—	C	
28M/1012015	AGS2001C1/66	Nut, 2BA	14	—	C	
	EA3.45.5209	Washer, profile, 12 SWG	2	L72	—	
28W/9419402	SP13C	Washer	28	—	C	

CONTROLS  
FLYING CONTROLS IN CENTRE FUSELAGE

Ref. No.	Part No.	Description 1 2 3 4 5 6	No. off	Matl. Spec.	Cl. of	Plate No.
					Equip M.R. L.M.	
7768	EA1.45.245	. LEVERS, AILERON IDLE, AT FRAME 22, ASSEMBLY (PRE—MOD 4956) (For Aircraft Not Embodying Mod 5097)	1	—	B	DB2/1
6119257	EA3.45.5181	. LEVER, AILERON IDLE, AT FRAME 22, ASSEMBLY (MOD 4956) (For Aircraft Embodying Mod 5097) Spares for:—	1	—	B	
2A/9500419	HOFFMANN T17	. . BEARING, ballrace	2	—	B	DB2/2
1937	EA1.45.251	. . HOUSING, ballrace (Pre—Mod 4956)	2	—	C	DB2/3
6119306	EA3.45.5205	. . HOUSING, ballrace (Mod 4956)	2	—	C	
	EA1.45.224	. . LEVER, ASSEMBLY (PRE—MOD 4956)	1	—	—	DB2/4
45648	EA3.45.5193	. . LEVER, ASSEMBLY (MOD 4956) Spares for:—	1	—	—	
2A/9500463	SKEFKO CBA2	. . . BEARING, ballrace	2	—	B	DB2/4A
75	EEAS3D	. . . HOUSING, ballrace	2	—	C	DB2/4B
	EA1.45.238	. . . LEVER (Pre—Mod 4956)	1	—	C	DB2/4C
	EA3.45.5195	. . . LEVER, (Mod 4956)	1	—	C	
92	EEAS4/20C	. . . WASHER, packing	4	—	C	DB2/4D
20842	EA1.45.253	. . SPINDLE (Pre—Mod 4956)	1	—	C	DB2/5
	EA3.45.5203	. . SPINDLE (Mod 4956)	1	—	C	
7760	EA1.45.485	. SUPPORT, CONTROL TUBE BETWEEN FRAMES 12 AND 13 ASSEMBLY Spares for:—	1	—	A/MR	DB1/11
	EA1.45.545	. . ANGLE	1	—	C	DB1/11A
	EA1.45.547	. . ANGLE	1	—	C	DB1/11B
2035	FAIREY AVIATION FS515	. . BEARING, roller	3	—	B	DB1/12
10279	EA1.45.463	. . SUPPORT Attaching parts for EA1.45.485:—	1	—	C	DB1/15
28D/9133012	A25/3C	. Bolt, 2BA	6	—	C	DB1/16
28M/9403520	A27CP	. Nut, 2BA	6	—	C	DB1/17
7762	EA1.45.487	. SUPPORT, CONTROL TUBE AT FRAME 15, ASSEMBLY Spares for:—	1	—	A/MR	DB1/18
2035	FAIREY AVIATION FS515	. . BEARING, roller	3	—	B	DB1/19
10280	EA1.45.465	. . SUPPORT Attaching parts for EA1.45.487:—	1	—	C	DB1/20
28D/1200119	A25/4C	. Bolt, 2BA	6	—	C	DB1/21
28M/9403520	A27CP	. Nut, 2BA	6	—	C	DB1/22

## FLYING CONTROLS IN CENTRE FUSELAGE

Part Number	Description	No. Off	Matl. Spec.	Plate No.	
					1
EA1.45.489 FAIREY AVIATION FS515 EA1.45.467	. SUPPORT, CONTROL TUBE, AT FRAME 20, ASSEMBLY Spares for:— . . BEARING, roller . . SUPPORT Attaching parts for EA1.45.489:—	1 3 1	— — —	DB2/6 DB2/7 DB2/8	
A25/3C A27CP EEAS15/64/11ONR	. Bolt, 2BA . Nut, 2BA . Strip, packing	6 6 3	— — —	DB2/9 DB2/10 DB2/11	
EA1.45.491 FAIREY AVIATION FS515 EA1.45.469	. SUPPORT, CONTROL TUBE, AT FRAME 23, ASSEMBLY Spares for:— . . BEARING, roller . . SUPPORT Attaching parts for EA1.45.491:—	1 2 1	— — —	DB2/12 DB2/13 DB2/14	
A25/4C A27CP	. Bolt, 2BA . Nut, 2BA	4 4	— —	DA2/15 DB2/16	
EA1.45.699 FAIREY AVIATION FS515 EA1.45.497	. SUPPORT, CONTROL TUBE, AT FRAME 27, ASSEMBLY Spares for:— . . BEARING, roller . SUPPORT, CONTROL TUBE, AT FRAME 30A, ASSEMBLY Spares for:—	1 2 1	— — —	DB2/17 DB1/24	
FAIREY AVIATION FS515 EA3.45.359	. . BEARING, roller . TUBE, CONTROL, ELEVATOR AND RUDDER ASSEMBLY (PRE-MOD 4930)	2 6	— —	DB1/25 DB3/9	
EA3.45.673 EEAS130 EEAS131/2 EA3.45.371	. TUBE, CONTROL, ELEVATOR AND RUDDER ASSEMBLY (MOD 4930) Spares for:— . . END, FITTING, c/w ballrace . . FORK-END . TUBE CONTROL, BETWEEN FRAMES 12 AND 15, ASSEMBLY (PRE-MOD 4930)	6 1 1 3	— — — —	— — — —	
EA3.45.679	. TUBE, CONTROL, BETWEEN FRAMES 12 AND 15, ASSEMBLY (MOD 4930)	3	—	—	

## CONTROLS

## FLYING CONTROLS IN CENTRE FUSELAGE

Part Number	Description	No. Off	Matl. Spec.	Plate No.
	Spares for:—			
EEAS130	. . END-FITTING, c/w ballrace	1	DTD683	DB3/7
EEAS131/2	. . FORK-END	1	—	DB3/8
EA3.45.355	. TUBE, CONTROL, BETWEEN FRAMES 15 AND 20 ASSEMBLY (PRE-MOD 4930)	1	—	DB3/6
EA3.45.671	. TUBE, CONTROL, BETWEEN FRAMES 15 AND 20 ASSEMBLY (MOD 4930)	1	—	
	Spares for:—			
EEAS130	. . END-FITTING, c/w ballrace	1	DTD683	DB3/7
EEAS131/2	. . FORK-END	1	—	DB3/8
EA3.45.367	. TUBE, CONTROL, BETWEEN FRAME 20 AND AILERON LEVER ASSEMBLY (PRE-MOD 4930)	1	—	DB3/14
EA3.45.677	. TUBE, CONTROL, BETWEEN FRAME 20 AND AILERON LEVER ASSEMBLY (MOD 4930)	1	—	
	Spares for:—			
EEAS47/2	. . FORK-END, adjusting	1	DTD683	DB3/15
EEAS131/2	. . FORK-END	1	—	DB3/16
	Attaching parts for EEAS131/2:—			
EEAS37/13A	. . Nipple	6	—	DB3/17
EEAS38/1A	. . Spoke	3	—	DB3/19
A29NP	. . Nut, 1/2" BSF	1	—	DB3/22
EA3.45.363	. TUBE, CONTROL, AT FRAME 21, ASSEMBLY (PRE-MOD 4930)	1	—	DB3/10
EA3.45.675	. TUBE, CONTROL, AT FRAME 21, ASSEMBLY (MOD 4930)	1	—	
	Spares for:—			
EEAS131/2	. . FORK-END	2	—	DB3/11
	Attaching parts for EEAS131/2:—			
EEAS37/13A	. . Nipple	6	—	DB3/12
EEAS38/1A	. . Spoke	3	—	DB3/13
EA3.45.375	. TUBE, CONTROL, BETWEEN FRAMES 23 AND 27, ASSEMBLY (PRE-MOD 4930)	2	—	DB3/21
EA3.45.681	. TUBE, CONTROL, BETWEEN FRAMES 23 AND 27, ASSEMBLY (MOD 4930)	2	—	
	Spares for:—			
EEAS130	. . END-FITTING, c/w ballrace	1	DTD683	DB3/7
EEAS131/2	. . FORK-END	1	—	DB3/8
	Attaching parts for control tubes:—			
EEAS13/1	. Bolt, special	2	S11	DB3/1
EEAS14	. Bush	2	S11	DB3/2
EEAS63E	. Nut	2	S96	DB3/3
EEAS127	. Piece, distance	2	S96	DB3/4
SP90C7	. Pin, cotter, split	2	—	DB3/5

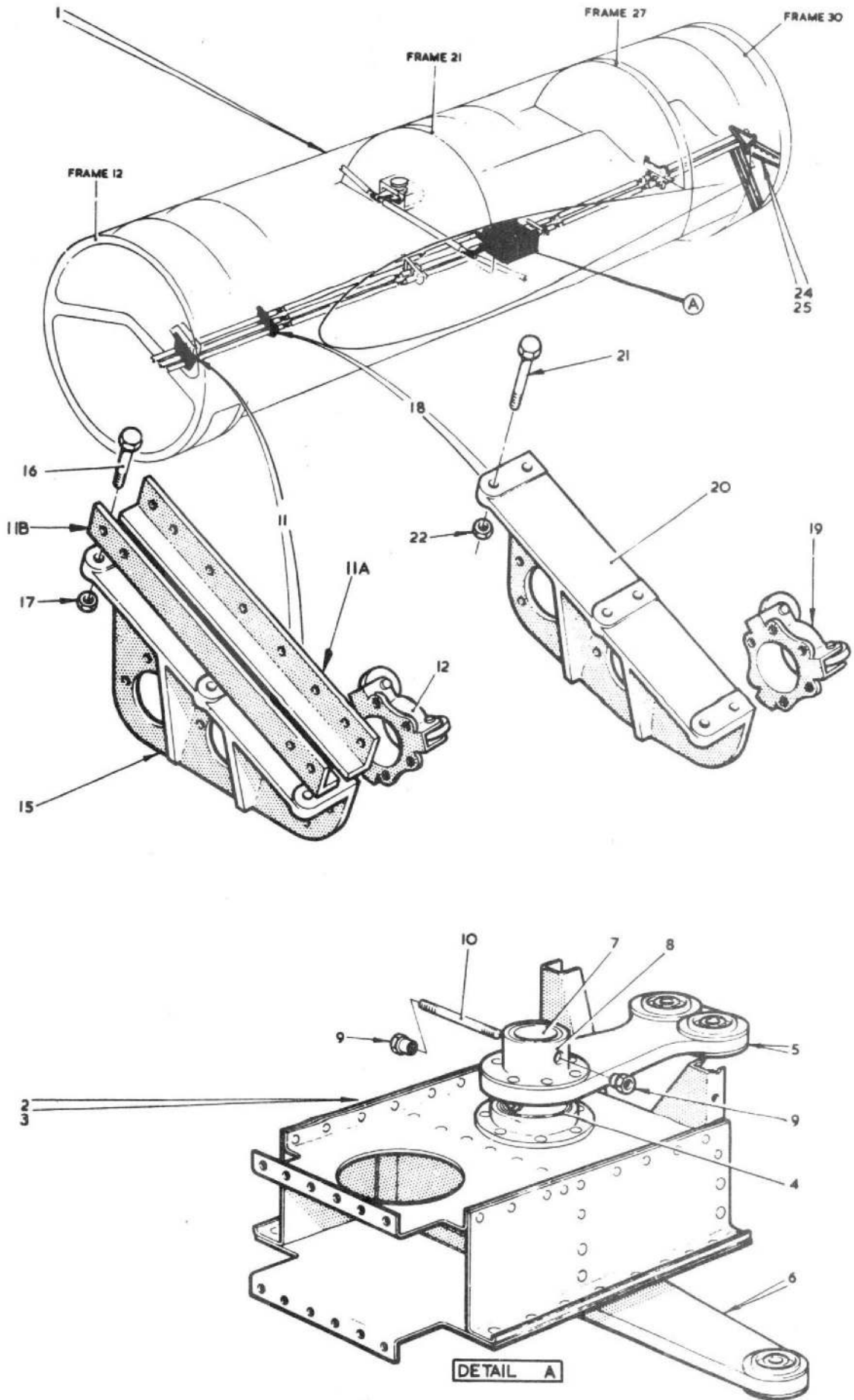


FIG.1 FLYING CONTROLS IN CENTRE FUSELAGE

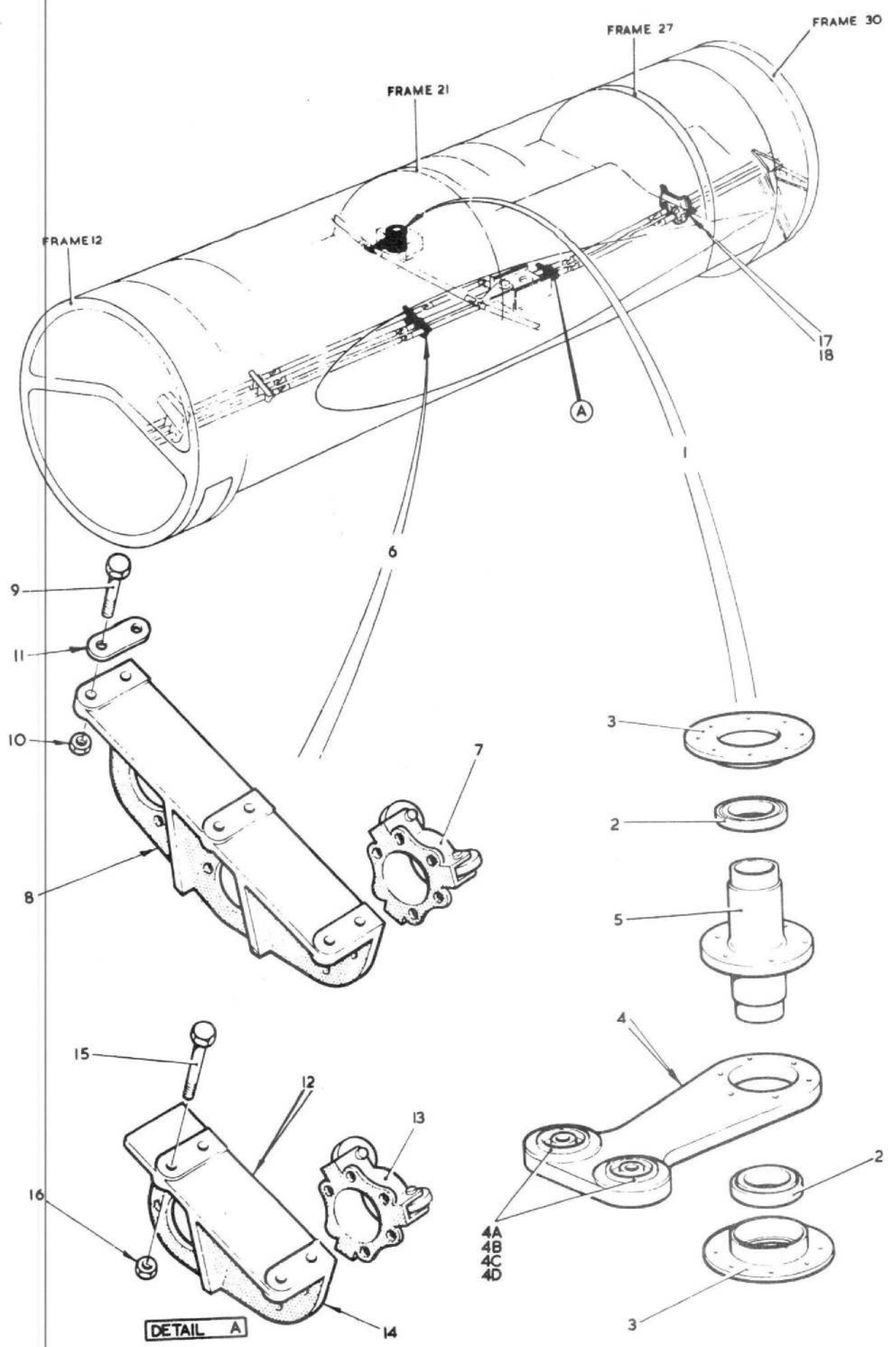


FIG2 FLYING CONTROLS IN CENTRE FUSELAGE

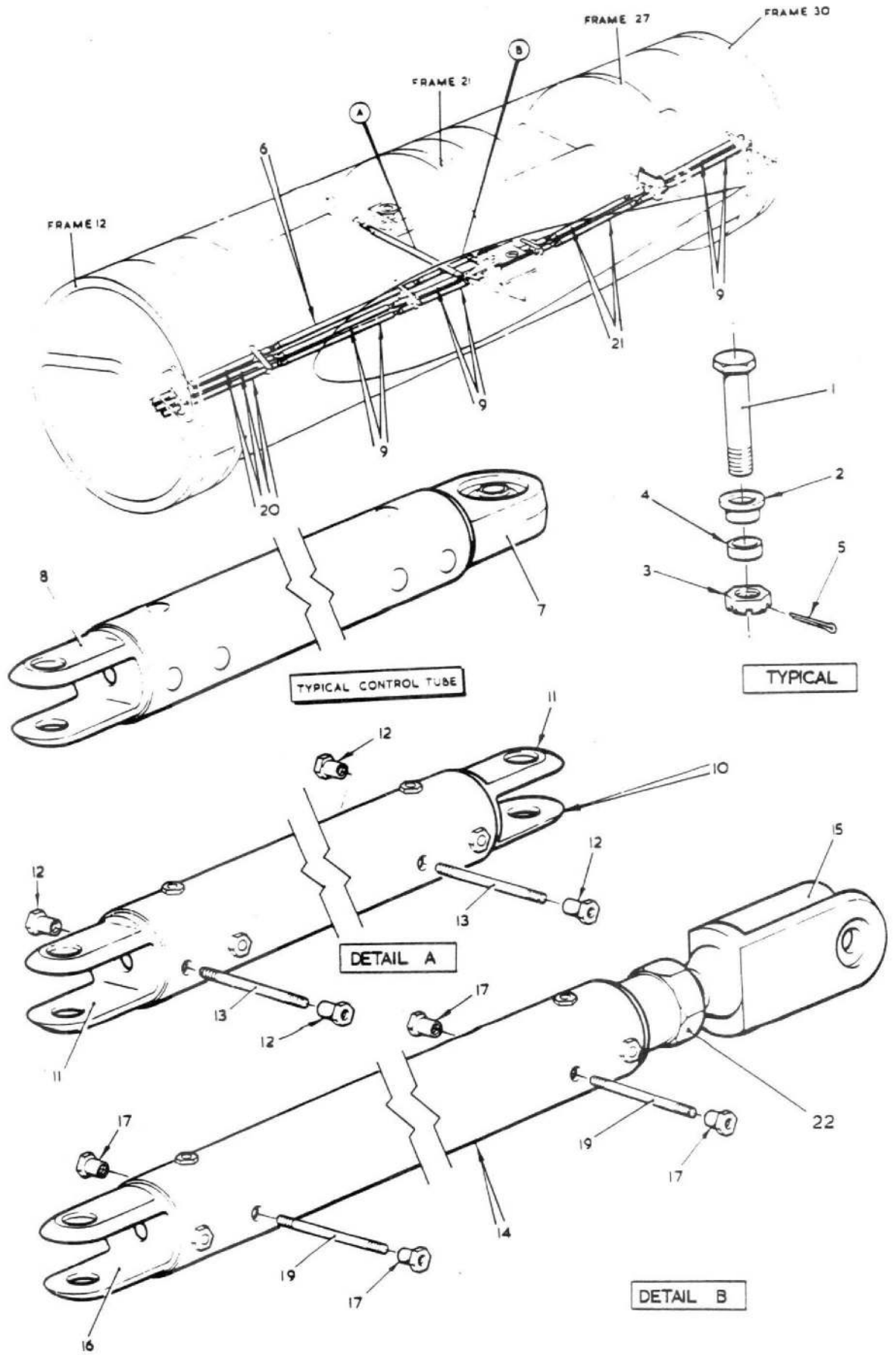


FIG.3 FLYING CONTROLS IN CENTRE FUSELAGE

This file was downloaded  
from the RTFM Library:

Link: [www.scottbouch.com/rtfm](http://www.scottbouch.com/rtfm)

Please see site for usage terms,  
and more aircraft documents.

