

EQUIPMENT

GROUND AND MAINTENANCE

Part Number	Description	No. Off	Matl. Spec.	Plate No.
EA1.88.2	GROUND EQUIPMENT ASSEMBLY	—	—	
	Spares for:—			
EA1.88.77	. ADAPTOR, fuselage jacking	1	—	F1/1
	Spares for:—			
AGS120C	. . NUT, wing	1	—	F1/1A
SP47E	. . WASHER, spring	1	—	F1/1B
R 1L/9106303	. ADAPTOR, canopy to fuselage torque wrench (Mod 2536—S.O.O.)	1	—	
R 772B23950	. ADAPTOR, oleo charging	2	—	F3/9
R J53939	. ADAPTOR-SETS, engine stand	1	—	
EA3.88.157	. ARM, NOSEWHEEL STEERING, ASSEMBLY	1	—	F1/2
	Spares for:—			
EA3.88.57	. . ATTACHMENT STEERING ARM	1	—	F1/3
	Spares for:—			
EA3.88.47	. . . BAR, release, axle pin	2	—	F1/4
EA3.88.49	. . . BAR, release plunger	2	—	F1/5
EA3.88.51	. . . BUSH	2	—	F1/6
EA3.88.43	. . . GUIDE, plunger	2	—	F1/7
EA3.88.55	. . . PIN, adaptor	2	—	F1/8
	Attaching parts for EA3.88.55:—			
A25/30J	. . . Bolt, $\frac{3}{8}$ " BSF	4	—	F1/8A
A27JF	. . . Nut, $\frac{3}{8}$ " BSF	4	—	F1/8B
SP47J	. . . Washer, spring	4	—	F1/8C
EA3.88.25	. . . PIN, axle, port	1	—	F1/9
EA3.88.27	. . . PIN, axle, starboard	1	—	F1/10
EA3.88.45	. . . PLUNGER	2	—	F1/11
A55C6	. . . SCREW, grub, 2BA	2	—	F1/30
A33B12	. . . SCREW, csk. head, 4BA	2	—	F1/31
EA3.88.69	. . . SPRING	2	—	F1/12
EA3.88.53	. . . WASHER, saddle	2	—	F1/13
	Attaching parts for EA3.88.57:—			
A25/30N	. . Bolt, $\frac{1}{2}$ " BSF	2	—	F1/32
A27NP	. . Nut, $\frac{1}{2}$ " BSF	2	—	F1/33
SP47N	. . Washer	2	—	F1/34
FLEXELLO 633C.1	. . CASTOR, unit	2	—	F1/14
EA3.88.15	. ATTACHMENT NOSE TOWING ARM ASSEMBLY	1	—	F1/15
	Spares for this assembly are identical with those for assembly Part No. EA3.88.57, except for the following deletion and addition Delete:—			
EA3.88.55	. . PIN, adaptor	2	—	
	Add:—			
EA3.88.37	. . PIN, adaptor	2	—	F1/16
R DIS104	. BAR, towing	1	—	F1/17
EA3.88.297	. BLOCK, for depressing stud ring cover when assembling or withdrawing fuel tanks No. 1 and No. 2	2	—	F2/22
DOWTY MT1093	. BLOCK, split, for air brakes jack servicing	1	—	F2/23
EA1.88.889	. BOLT, canopy slave (ST8/4833) (Mod 2536—S.O.O.)	32	S97	F2/11
EA3.88.307	. BRACKET, MAIN WHEEL JACKING, ASSEMBLY	2	—	F3/1
	Spares for:—			
EA3.88.219	. . BOLT, special	2	S94 or S95	F3/2
EA3.88.215	. . NUT, special	2	—	F3/2A

EQUIPMENT
GROUND AND MAINTENANCE

Part Number	Description	No. Off	Matl. Spec.	Plate No.
EA3.88.79	. BRIDLE, detachable, for wing slinging Spares for:—	1	—	F4/1
EA1.51.17	. . BEARING, spherical	2	—	F4/31
EA3.88.85	. . PICK-UP	2	—	F4/32
or				
EA3.88.381	. . PICK-UP	2	—	
EA1.51.19	. . PIN	2	—	F4/33
4GB/4409987	. BRIDLE, towing, main undercarriage	1	—	
EA1.88.89	. CABLES, retaining bomb door	2	—	
EA3.88.91	. CLAMP, AILERON, LOCKING, ASSEMBLY Spares for:—	1	—	F3/3
EA3.88.103	. . PENNANT	2	—	F3/4
EA3.88.101	. . STRAP, assembly	1	—	F3/5
EA3.88.92	. CLAMP, AILERON, LOCKING, ASSEMBLY Spares for:—	1	—	F3/6
EA3.88.103	. . PENNANT	2	—	F3/4
EA3.88.102	. . STRAP, assembly	1	—	F3/7
EA1.88.73	. CLAMP, ELEVATOR, LOCKING, STARBOARD, ASSEMBLY Spares for:—	1	—	F4/2
EA1.88.185	. . PENNANT	1	—	F4/3
AGS2105-617	. . PIN, 'Pip'	2	—	F4/4
EA1.88.873	. CLAMP, ELEVATOR LOCKING, PORT, ASSEMBLY Spares for:—	1	—	F4/5
EA1.88.185	. . PENNANT	1	—	F4/3
AGS2105-617	. . PIN, 'Pip'	2	—	F4/4
EA3.88.153	. CLAMP, RUDDER LOCKING, ASSEMBLY (PRE-MOD 5096)	1	—	F4/6
EA3.88.383	. CLAMP, RUDDER LOCKING, ASSEMBLY (MOD 5096) Spares for:—	1	—	F4/6A
EEAS20/2ER	. . LUG	4	—	F4/30
EA3.88.97	. . PENNANT, assembly	1	—	F4/6B
AGS2105-413	. . PIN, 'Pip'	1	—	F4/7
TERRY				
EX.12	. . SPRING	1	—	F4/8
EA3.88.205	. COVER, used for protecting and depressing stud rings when assembling or withdrawing fuel tanks No. 1 and No. 2	2	—	F6/21
EA1.88.399	. COVERS, AIRCRAFT, ASSEMBLY Spares for:—	—	—	
EA3.88.19	. . COVER, nose (Pre-Mod 1027)	1	—	F5/1
EA3.88.301	. . COVER, nose (Mod. 1027)	1	—	F5/1
EA1.88.401	. . COVER, coupe	1	—	F5/2
EA1.88.403	. . COVER, engine	2	—	F5/3
EA1.88.405	. . COVER, jet pipe	2	—	F5/4
EA1.88.407	. . COVER, main wheel	2	—	F5/5
EA1.88.409	. . COVER, nose wheel	2	—	F5/6
EA1.88.597	. . COVER, pressure head	1	—	F5/7
EA1.88.787	. . COVER, equipment door	1	—	F5/8
EA3.88.211	. CRADLE, for handling jettisonable wing tanks	1	—	
EA1.88.417	. CRADLE, retraction test for use at frame 13	1	—	F4/9
EA1.88.419	. CRADLE, retraction test for use at frame 29	1	—	F4/10
ALVIS				
AS18086	. CRADLE, for bomb trolley	1	—	

EQUIPMENT
GROUND AND MAINTENANCE

Part Number	Description	No. Off	Matl. Spec.	Plate No.
EA1.88.551	. DISC, setting engine control, 12SWG	2	L72	F2/2
26FZ95454	. EXTRACTOR, fuse	1	—	
EB6.88.103	. EXTRACTOR, rudder, blow back rod (Mod.1912—S.O.O.)	1	—	F2/7
A6313	. EXTRACTOR, and assembly tool for wheels	1	—	
EA1.88.359	. EXTRACTOR, wing to fuselage pick-up pins	1	—	F2/4
EA1.88.375	. EXTRACTOR, for tab torque tube lever	1	—	F2/5
EA1.88.825	. EXTRACTOR, for aileron hinge pin	1	—	F2/6
A10009	. FIXTURE, hydraulic brake alignment	1	—	
EA1.88.91	. FORMERS, ASSEMBLY, PORT	—	—	F5/9
	Spares for:			
EA1.88.91A	. . FORMER, wing lifting gantry, forward port	1	—	F5/10
EA1.88.91B	. . FORMER, wing lifting gantry, centre port	1	—	F5/11
EA1.88.91C	. . FORMER, wing lifting gantry, aft, port	1	—	F5/12
EA1.88.91D	. . FORMER, wing lifting gantry, forward, port	1	—	F5/13
EA1.88.91E	. . FORMER, wing lifting gantry, centre, port	1	—	F5/14
EA1.88.91F	. . FORMER, wing lifting gantry, aft port	1	—	F5/15
EA1.88.92	. FORMER, ASSEMBLY, STARBOARD	—	—	F5/16
	Spares for:			
EA1.88.92A	. . FORMER, wing lifting gantry, forward, starboard	1	—	F5/17
EA1.88.92B	. . FORMER, wing lifting gantry, centre, starboard	1	—	F5/18
EA1.88.92C	. . FORMER, wing lifting gantry, aft, starboard	1	—	F5/19
EA1.88.92D	. . FORMER, wing lifting gantry, forward, starboard	1	—	F5/20
EA1.88.92E	. . FORMER, wing lifting gantry, centre, starboard	1	—	F5/21
EA1.88.92F	. . FORMER, wing lifting gantry, aft, starboard	1	—	F5/22
4Q1245	. GANTRY, lifting, main plane	2	—	F5/23
EA3.88.179	. GAUGE, tailplane, incidence and dihedral	1	—	F4/11
EA1.88.93	. GAUGE, wing incidence dihedral	1	—	F3/10
EA1.88.447	. GAUGE, levelling cockpit lateral and fuselage longeron	1	—	F1/18
EA1.88.747	. GAUGE, levelling cockpit longeron and fuselage lateral	1	—	F1/19
EA1.88.823	. GAUGE, aileron, fixed tab angle checking	1	—	F2/9
EA1.88.893	. GAUGE, inspection, assembly of canopy to fuselage	1	—	F2/8
26FZ95653	. GAUGE, clearance aileron shroud screen (Supplied in set of three)	1 Set	—	
EA1.88.785	. GEAR LIFTING, COMPLETE AIRCRAFT, ASSEMBLY (MOD.876 —S.O.O.)	2	—	F3/11
	Spares for:			
EA3.88.317	. . BOLT, special, shouldered	2	S97	F3/12
	. . NUT, 3/8" Whitworth	2	—	F3/12A
EA3.88.315	. . RING, lifting, and cable assembly	1	—	F3/12B
EA3.88.319	. . WASHER, special	2	MS	F3/13
EA1.88.817	. GUARD, AIR INTAKE DEBRIS, ASSEMBLY	2	—	F5/24
	Spares for:			
EA3.88.295	. . BOLT, Key	2	MS	F5/25
TECALEMET GB276	. GUN, lubricating	1	—	
AT81489	. HANDLE, crutching	1	—	
K(SE)184	. HEAD, adaptor, for 15 ton pillar jack	2	—	F3/8
EA1.88.257	. HEAD, 10 ton jack adaptor	2	MS	F3/14
EA3.88.269	. HEAD, jacking for 15 ton pillar jack	2	—	
EA1.88.831	. INDICATOR, engine controls setting disc, 20 SWG	1	DTD124	F2/10
EA1.88.349	. INSERTER, piston ring main undercarriage oleo leg	1	L72	F2/11
EA1.88.363	. INSERTER, wing to fuselage pick-up pins	1	—	F2/12
EA1.88.383	. INSERTER, main oleo pivot point bush	1	—	F2/13

EQUIPMENT
GROUND AND MAINTENANCE

Part Number	Description	No. Off	Mati. Spec.	Plate No.
EA1.88.389	. INSERTER, for bushes in torque links main oleo leg	1	—	F2/14
EA1.88.391	. INSERTER, and extractor for sealing rings main oleo leg	1	—	F2/15
EA1.88.733	. INSERTER, main undercarriage pivot pin	1	—	F2/16
KS1188Z	. JACK, hydraulic fuselage	1	—	F1/21
GM10122	. JACK, 10 ton, hydraulic main wing, type B	2	—	F3/15
GM10334	. JACK, 15 ton, hydraulic pillar	2	—	F3/16
EG4.88.19	. JIG, alignment vent mast (Pre Mod.648) (For aircraft not embodying Mod.4112)	1	—	
FT8/2571	. JIG, alignment vent mast (Mod.648) (For aircraft embodying Mod.4112)	1	—	
EA1.88.395	. KEY, hydraulic tank	1	—	F6/20
EA1.40.169	. LUG, picketing and towing	2	S11	F4/12
D2606Y	. NOZZLE, flexible, c/w gauge	1	—	
EA1.88.891	. PIN, locating (ST8/4842)	6	—	F2/17
EA1.88.255	. PIN, nosewheel locking	1	—	F1/22
EA1.88.547	. PLATE, setting bellcrank lever engine control, port	1	—	F2/18
EA1.88.548	. PLATE, setting bellcrank lever engine control, starboard	1	—	F2/19
EA1.88.549	. PLATE, setting throttle box, 16 SWG	1	L72	F2/20
EA3.88.281	. PLUG BLANKING CABIN PRESSURE CONTROL VALVE, ASSEMBLY Consisting of:	1	—	F1/23
	. . CHAIN, retaining	QR	Brass	F1/24
EA2.88.77	. . PENNANT	1	—	F1/25
EA3.88.283	. . PLUG	1	L40	F1/26
	. . RING, split 3/4" o/d x 1/16" dia	2	—	F1/27
IN15258	. PLUG, protective, static vents	4	—	
TURNER 118A/1781	. PUMP, type F, oleo	1	—	
H2274	. SCREWDRIVER	1	—	
EA1.88.599	. SEAL, engine dust	2	—	F5/31
EA1.88.797	. SLAVE COWLING' PORT' ASSEMBLY Spares for:	1	—	F5/26A
EA1.50.1053	. . BLOCK, attachment, debris guard	2	—	F5/26B
EA1.50.1055	. . COVER, plate debris, guard attachment, plate	2	L72	F5/27
EA1.88.809	. . PIPE, EXHAUST, ASSEMBLY Spares for:	2	—	F5/28
EA1.88.813	. . . SCREW, special	3	S1	F5/29
EA1.88.849	. . . SCREW, special	2	S1	F5/30
EA1.88.851	. . . SCREW, special	4	S1	F5/30A
EA1.88.798	. SLAVE COWLING, STARBOARD, ASSEMBLY Spares for this assembly are identical with those for assembly Part No. EA1.88.797	1	—	F5/26
EA1.88.743	. SLEEVE, MAIN UNDERCARRIAGE WHEEL LOCKING, ASSEMBLY Spares for:	2	—	F3/17
EA2.88.77	. . PENNANT	1	—	F3/18
AVIATION DEVELS. A817	. . PIN, 'PIP'	2	—	F3/19

EQUIPMENT
GROUND AND MAINTENANCE

Part Number	Description	No. Off	Matl. Spec.	Plate No.
EA1.88.919	. SLING, AND FRAME, MAINPLANE LIFTING ASSEMBLY (MOD.GE5224) Spares for:	1	—	F3/20
EA1.88.919G	. . . CABLE, 1/2" dia, 6 x 19	1	BS302	F3/21
EA1.88.919H	. . . CABLE, 3/8" dia, 6 x 19	1	BS302	F3/22
EA1.88.919J	. . . CABLE, 1/2" dia, 6 x 19	1	BS302	F3/23
EA1.88.919K	. . . CABLE, 3/8" dia, 6 x 19	1	BS302	F3/24
EA1.88.919M	. . . CABLE, 1/2" dia, 6 x 19	1	BS302	F3/25
EA1.88.919N	. . . CABLE, 1/2" dia, 6 x 19	1	BS302	F3/26
EA1.88.919P	. . . CABLE, 1/2" dia, 6 x 19	1	BS302	F3/27
EA1.88.919R	. . . CABLE, 1/2" dia, 6 x 19	1	BS302	F3/28
A9	. . . FERRULE, cable	4	—	F3/29
A13	. . . FERRULE, cable	12	—	F3/30
EA1.88.17	. . . HOOK	1	—	F3/31
EA1.88.927	. . . HOOK	1	—	F3/32
EA1.88.933	. . . LABEL, ident	1	—	F3/33
EA1.88.925	. . . NUT and bolt assembly	3	—	F3/34
EA1.88.923	. . . RING	3	—	F3/35
EA1.88.921	. . . SHACKLE Attaching parts for EA1, 88, 921:	6	—	F3/36
EA1.88.929	. . . Bolt, 3/8"	1	—	F3/37
MS103/2B	. . . Nut, 3/8"	1	—	F3/38
SP18J	. . . Washer	1	—	F3/39
EA1.88.919A	. . . TUBE, 3" o/d x 203" long	1	—	F3/40
EA1.88.919B	. . . TUBE, 3" o/d x 143.8" long	1	—	F3/41
EA1.88.919C	. . . TUBE, 3" o/d x 167.4" long Attaching parts for EA1.88.919A, EA1.88.919B and EA1.88.919C:	1	—	F3/42
EA1.88.931	. . . Bolt, 1/2"	1	—	F3/43
MS103/29	. . . Nut, 1/2"	1	—	F3/44
SP90G10	. . . Pin, split	1	—	F3/45
SP18N	. . . Washer	1	—	F3/46
SP122S	. . . WASHER	3	—	F3/47
EA1.88.59	. SLING, tailplane	1	—	F4/14
EA1.88.61	. SLING, centre fuselage lifting, complete	1	—	F5/32
EA1.88.63	. SLING, FRONT FUSELAGE LIFTING ASSEMBLY Spares for:	1	—	F4/13
EA1.88.219	. . . NUT,	2	—	F4/13A
AGS2105-930	. . . PIN, pip	1	—	F4/13B

EQUIPMENT
GROUND AND MAINTENANCE

Part Number	Description 1 2 3 4 5 6	No. Off	Matl. Spec.	Plate No.

EQUIPMENT

GROUND AND MAINTENANCE

Part Number	1 2 3 4 5 6	Description	No. Off	Matl. Spec.	Plate No.
EA1.88.65	.	SLING, rear fuselage lifting, complete	1	—	F4/15
EA1.88.601	.	SLING, fin and rudder	1	—	F4/16
EA1.88.741	.	SLING, combined nose and mid fuselage lifting	1	—	F4/34
H5572	.	SOCKET, 7/16" BSF for explosive bolts	1	—	
H4532	.	SOCKET, for attachment bolts, 3/4" BSF	1	—	
H4541	.	SOCKET, for attachment bolts, 1" BSF	1	—	
EA3.88.293	.	SPANNER, wing tip tank drain plug	1	—	F6/5
EA1.88.263	.	SPANNER, integral and drop tanks	1	DTD124A	F6/4
EA1.88.877	.	SPANNER, nosewheel door	1	—	F6/6
EA1.88.345	.	SPANNER, torque link, main undercarriage, special screw	1	DTD124	F6/7
EA1.88.347	.	SPANNER, special, 'C', main undercarriage oleo stop nut	1	—	F6/8
EA1.88.353	.	SPANNER, special, main undercarriage oleo piston	1	—	F6/9
EA3.88.303	.	SPANNER, special, main undercarriage oleo bearing ring	1	Steel	F6/10
EA3.88.135	.	SPANNER, special, main undercarriage oleo axle clamp	1	Steel	F6/2
EA1.88.365	.	SPANNER, special, plug forward jacking point housing	1	—	F6/11
EA1.88.379	.	SPANNER, universal for attaching aileron to centre hinge bracket	1	MS	F6/12
EA1.88.385	.	SPANNER, special, for undercarriage pivot pin	1	MS	F6/13
EA1.88.387	.	SPANNER, special, for undercarriage pivot nut	1	MS	F6/14
EA1.88.531	.	SPANNER, special, for drop tank, assembly	1	MS	F6/15
1C/9106265	.	SPANNER, union main fuel feed	2	—	
EA1.88.749	.	SPANNER, forward bomb crutch	1	—	F2/24
EA1.88.23	.	SPIGOT, forward jacking front fuselage	1	S65	F1/28
EA1.88.799	.	STRUT, jury tailplane	1	—	F4/17
EA3.88.273	.	STRAP, metal for use with combined nose and centre fuselage sling	1	—	F4/35
EA3.88.221	.	TEMPLATES, NEUTRAL RIGGING, ASSEMBLY Spares for:—	—	—	F4/18
EA3.88.247	.	TEMPLATE, neutral rigging rudder	1	—	F2/21
EA3.88.257	.	TEMPLATE, neutral rigging aileron	1	—	F4/20
EA3.88.223	.	TEMPLATE, neutral rigging elevator	1	—	F4/19
EA3.88.5053	.	TEST SET, air ventilated suit	1	—	
EA1.88.351	.	TOOL, shock absorbing piston, centralising	1	—	F6/16
EA1.88.361	.	TOOL, special, combination main undercarriage oleo insertion and extraction of spherical bearing	1	—	F6/17
EA1.88.821	.	TOOL, setting	1	—	F6/18
EB6.88.101	.	TOOL, separating	1	—	F6/19
MARTIN BAKER AMBEU/70/EE	.	TOOL, for cocking and uncocking snatch unit	1	—	
KS11883SCHEDULE C	.	TRESTLE, fuselage jacking, Mk. 2	1	—	F1/29
EA1.88.87	.	TRESTLE, REAR, FUSELAGE, ASSEMBLY Spares for:—	—	—	F4/25
EA1.88.87A	.	FORMER, forward	1	Spruce	F4/26
EA1.88.87B	.	FORMER, aft	1	Spruce	F4/27
GM10155	.	TRESTLE, wing jacking, Mk. 1	2	—	F3/52

EQUIPMENT
GROUND AND MAINTENANCE

Part Number	Description	No. Off	Matl. Spec.	Plate No.
EA1.88.85	. TROLLEY, MAINTENANCE GROUND PRESSURE CABIN ASSEMBLY Spares for:—	1	—	
EA2.88.53	. . WHEEL, trolley (Capowheel T82)	4	—	
LOCKHEED				
K19210	. . WASHER, spring for $\frac{1}{4}$ " bulkhead fitting	1	—	
K19213	. . WASHER, spring for $\frac{3}{8}$ " bulkhead fitting	1	—	
ALVIS AS18120	. . WHEEL, and axle, assembly, c/w tyre 14" x 3.9"	2	—	
4F/1041044	. TROLLEY, Mk. 1, pressure cabin testing	1	—	
4F/2088744	. TROLLEY, Mk. 1A, servicing, hydraulic	2	—	
ODA220	. WRENCH, torque for attachment bolts	1	—	
H5744	. WRENCH, torque, pilot's canopy	1	—	
JENKS BROS. LTD.				
EVT600	. WRENCH, torque for explosive bolts canopy to fuselage attachment (Mod 2536—S.O.O.)	1	—	
AS17026	. YOKE, bar towing	1	—	

R
R
R
R

EQUIPMENT
GROUND AND MAINTENANCE

Ref. No.	Part No.	Description	No. off	Matl. Spec.	Cl. of Equip M.R. L.M.	Plate No.
	—	TRANSPORTATION EQUIPMENT	—	—	—	
95279	—	. BEAM, transportation, fuselage nose (43G/SAL/180)	1	Deal	B	
95280	—	. BEAM, transportation, mid section front fuselage (43G/SAL/180)	1	Deal	B	
95281	—	. BEAM, transportation fuselage, rear section (rear) (43G/SAL/181)	1	Deal	B	
95282	—	. BEAM, transportation fuselage, rear section (front) (43G/SAL/181)	1	Deal	B	
95285	—	. BEAM, transportation fuselage, mid section (rear) (43G/SAL/182)	1	Ash	B	
95289	—	. BEAM, transportation, main plane outer port (43G/SAL/194)	1	Ash	B	
95290	—	. BEAM, transportation, main plane outer starboard (43G/SAL/194)	1	Ash	B	
95291	—	. BEAM, transportation (support blocks) main plane (43G/SAL/195)	2	RSJ	B	
95286	—	. BLOCK, transportation, main plane (43G/SAL/185)	2	Ash	B	
95287	—	. BLOCK, transportation, main plane, rear (43G/SAL/185)	2	Ash	B	
95288	—	. BLOCK, transportation, main plane centre (43G/SAL/185)	2	Ash	B	
95598	—	. CLAMP, plate front, No. 2 universal trestle front and mid section transportation (41G/SAL/297)	1 set	MS	B	
95599	—	. CLAMP, plate, rear (41G/SAL/298)	1 set	MS	B	
95283	—	. PEDESTAL, transportation, tailplane (43G/SAL/183)	1	MS	B	
95284	—	. PEDESTAL, transportation, tailplane (43G/SAL/184)	2	MS	B	
		NOTE:—The number off shown is the quantity required for the transportation of one aircraft				

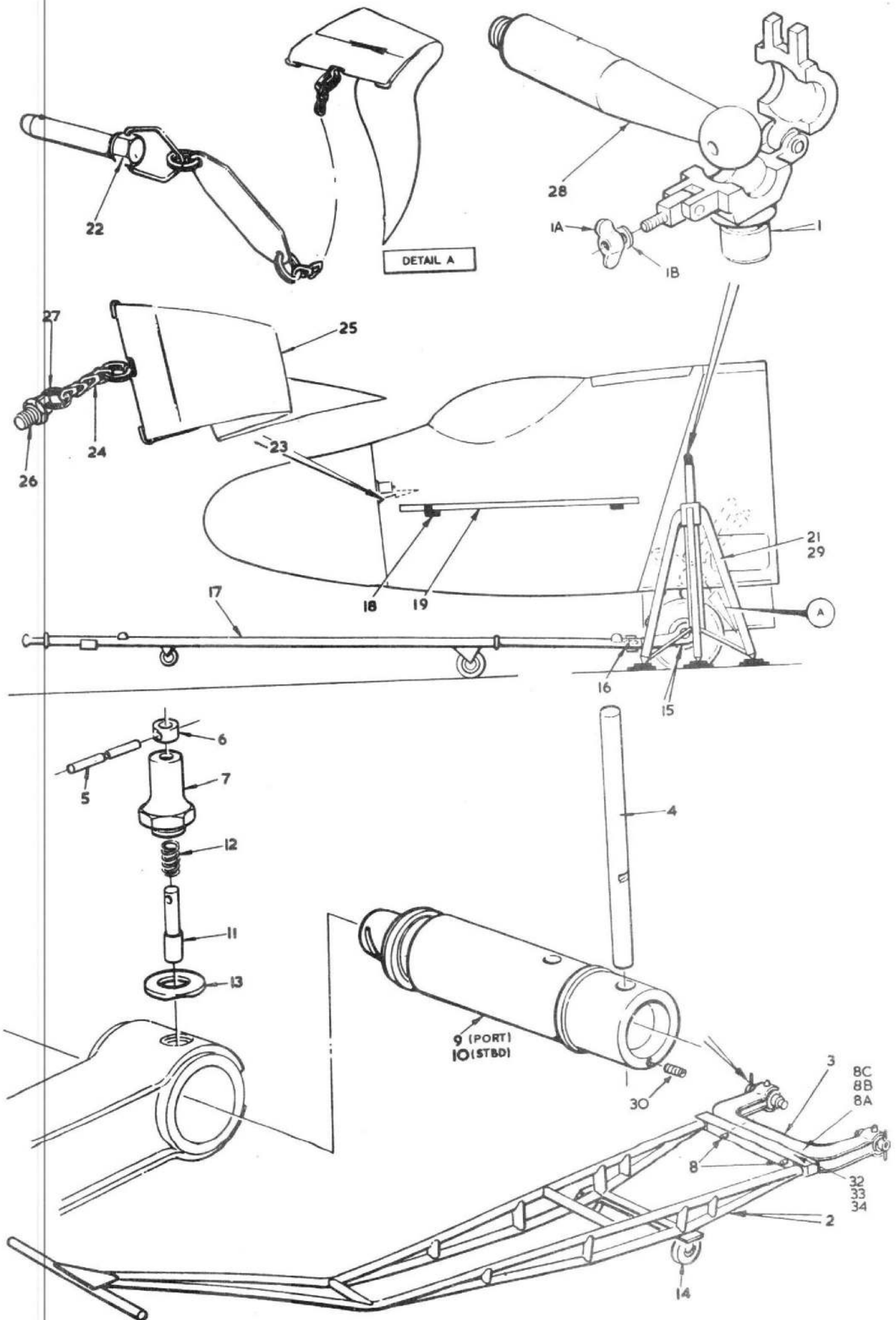


FIG.1 EQUIPMENT GROUND & MAINTENANCE

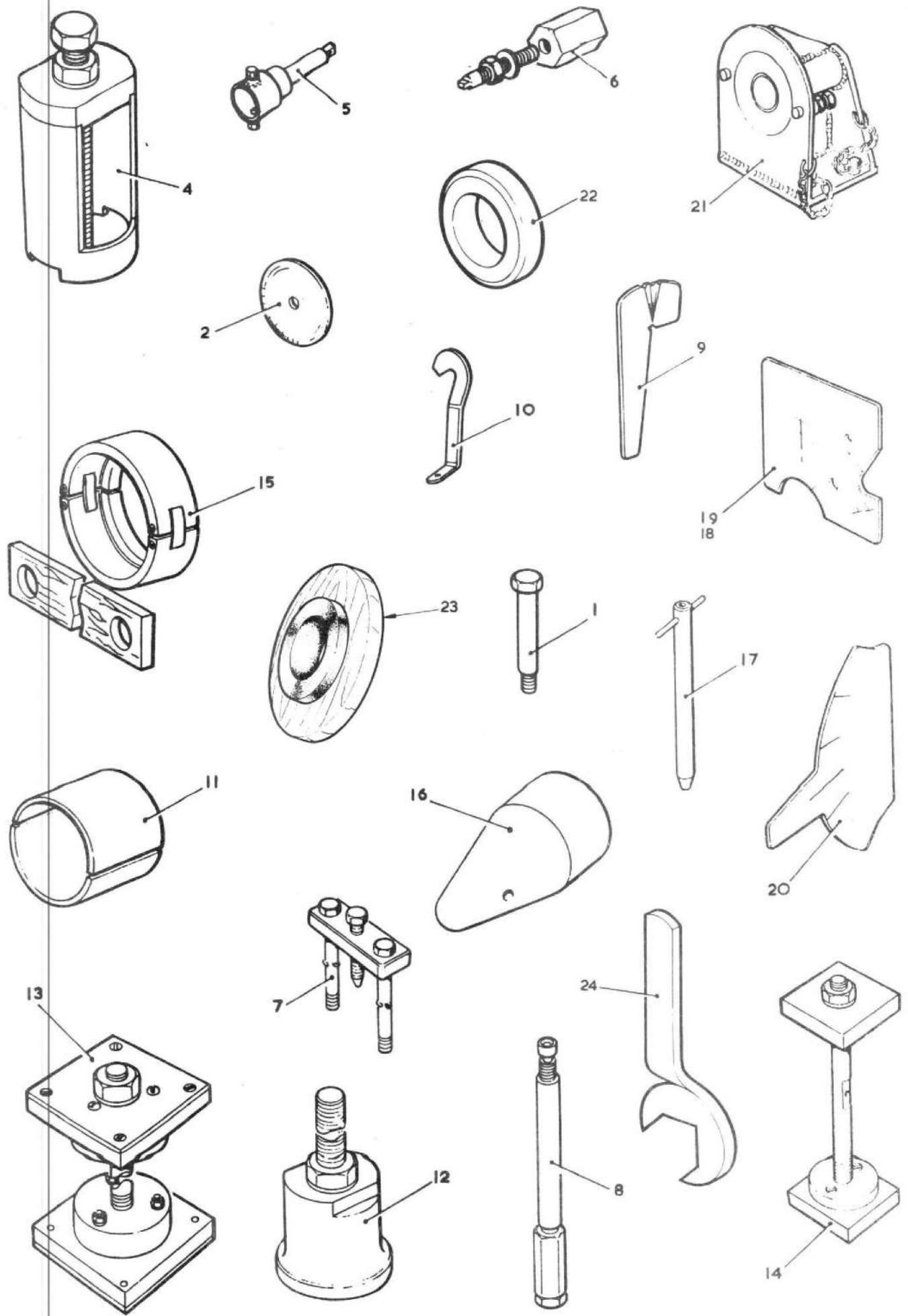


FIG.2 EQUIPMENT GROUND & MAINTENANCE

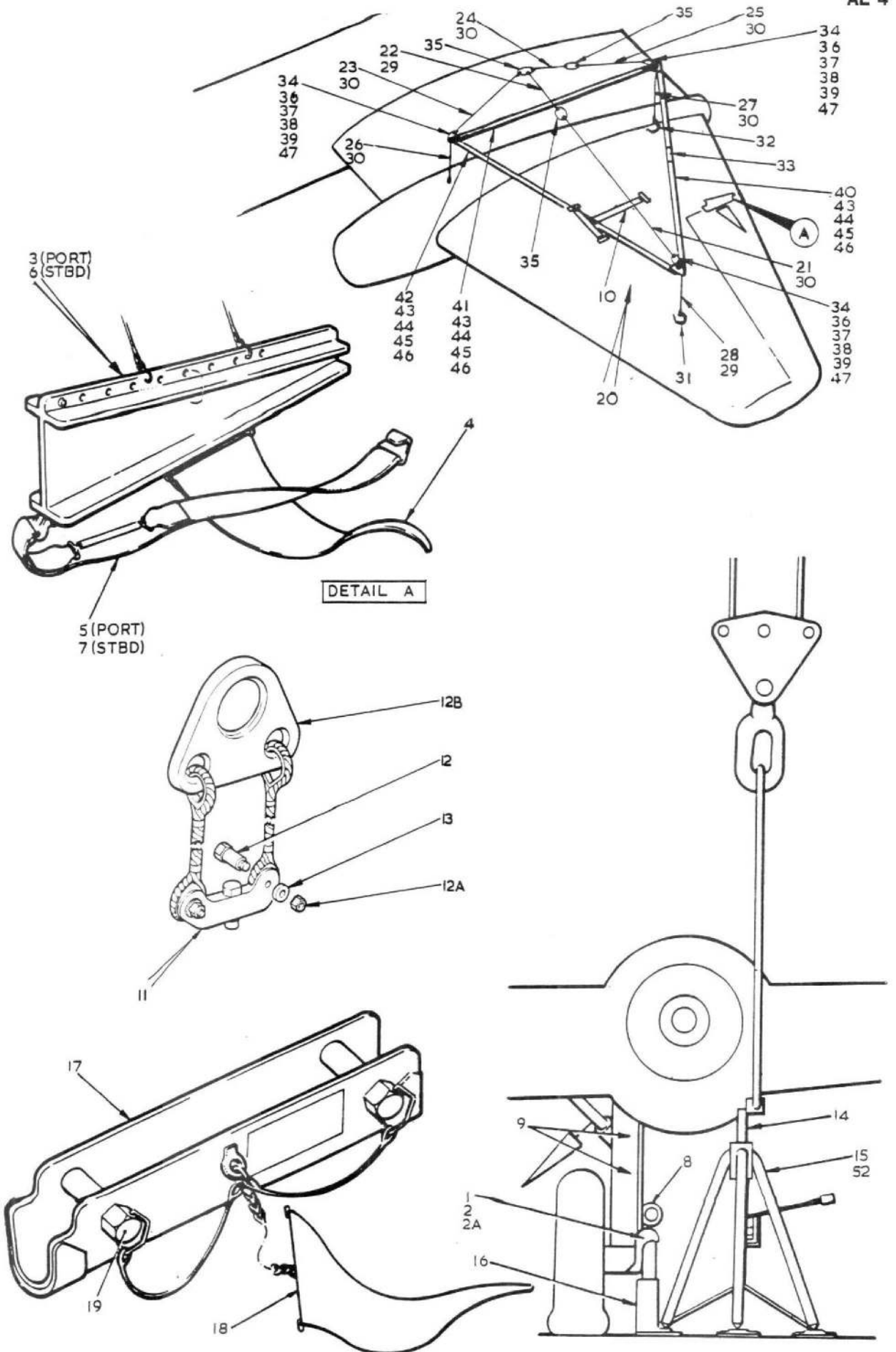


FIG. 3 EQUIPMENT GROUND & MAINTENANCE

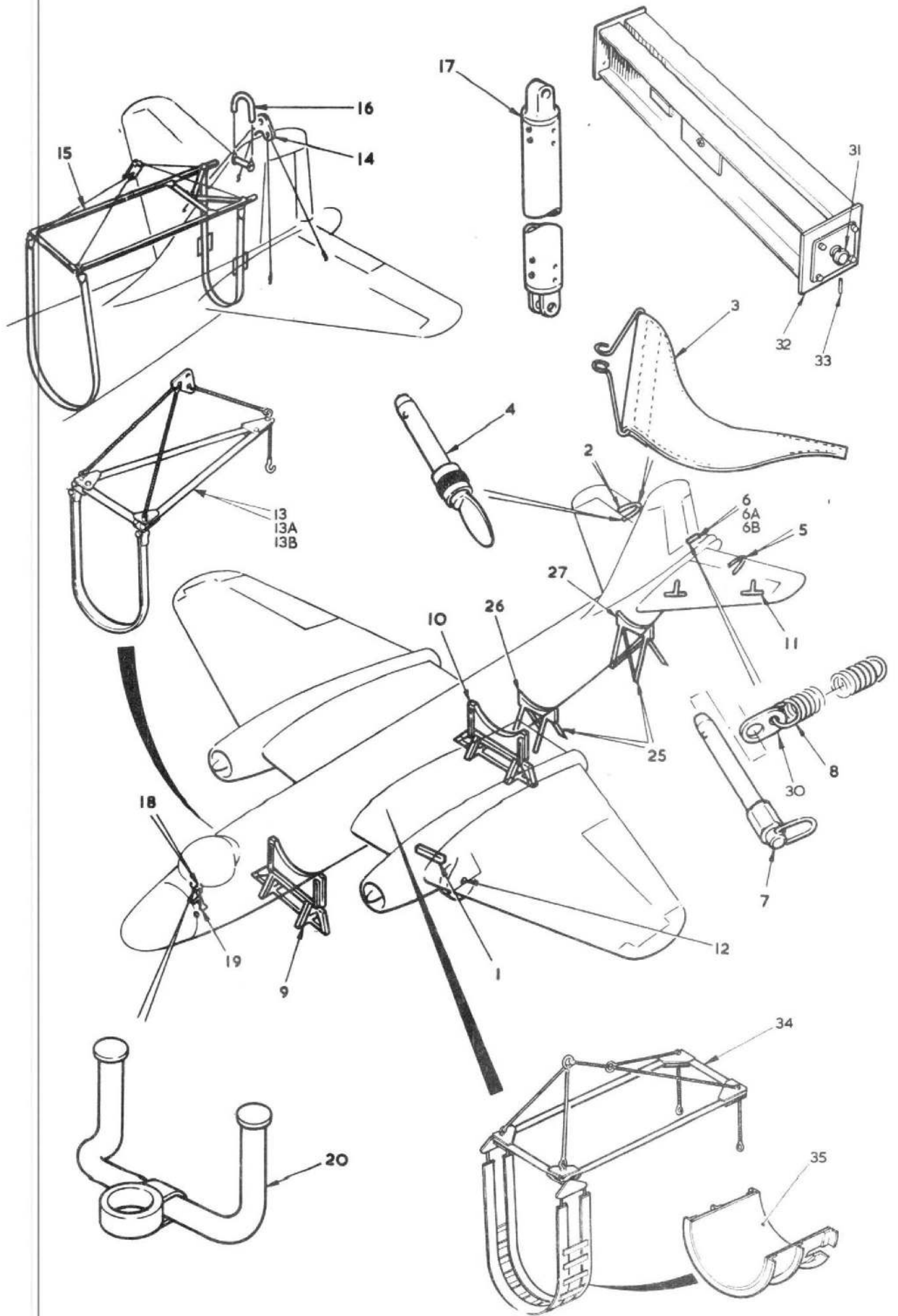


FIG.4 EQUIPMENT GROUND & MAINTENANCE

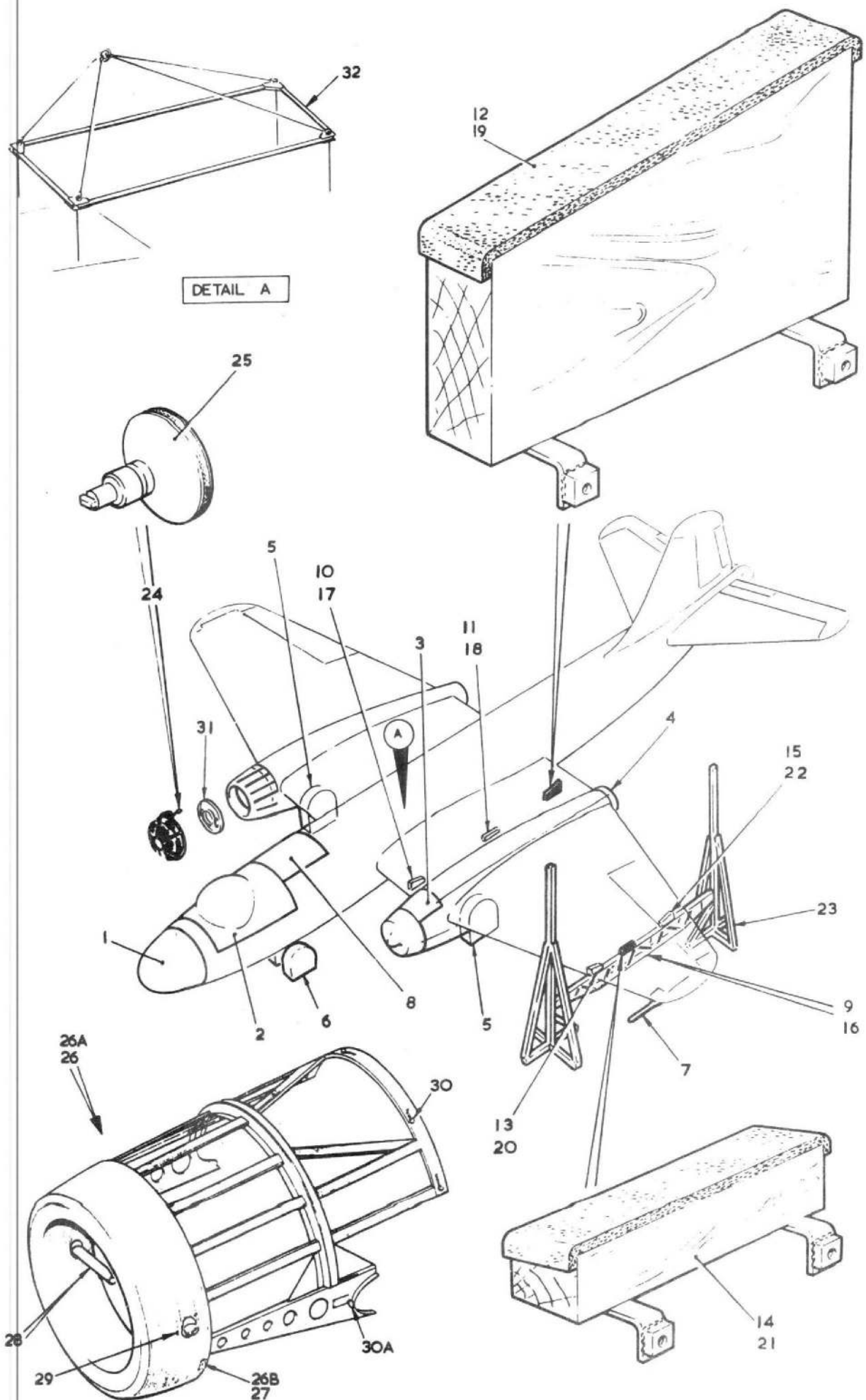


FIG 5 EQUIPMENT GROUND & MAINTENANCE

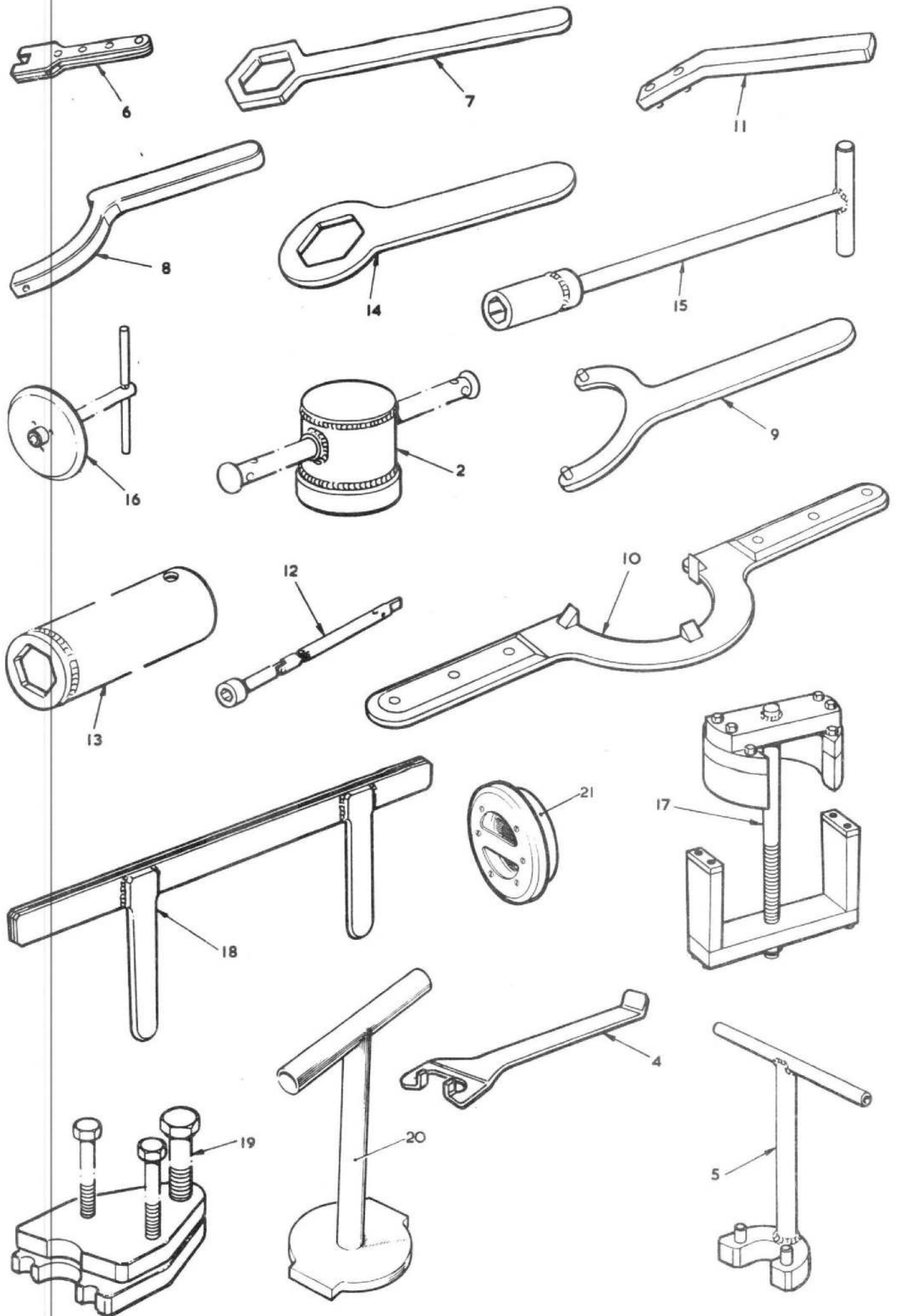


FIG.6 EQUIPMENT_GROUND & MAINTENANCE

This file was downloaded
from the RTFM Library.

Link: www.scottbouch.com/rtfm

Please see site for usage terms,
and more aircraft documents.

