

FUSELAGE  
CENTRE FUSELAGE

Part Number	Description	No. Off	Matl. Spec.	Plate No.	
					1
EA3.0043	CENTRE FUSELAGE, ASSEMBLY	—	—		
	Spares for:				
EA3.755	. CABIN, PRESSURE SYSTEM (See Sect. SB)	—	—		
EA3.45379	. CONTROLS, FLYING (See Sect. DB)	—	—		
EA1.47.125	. CONTROLS, ENGINE (See Sect. CA)	—	—		
EA3.817	. ELECTRICAL EQUIPMENT (See Sect. EA)	—	—		
EA1.60.1	. FIRE, PROTECTION, SYSTEM (See Sect. SF)	—	—		
EA3.5767	. FUEL, SYSTEM (MOD.648) (See Sect. SG)	—	—		
EA1.45923	. GEAR, EMERGENCY RELEASE, BOMB DOORS AND UNDERCARRIAGE, ASSEMBLY	1	—	KA1/1	
	Spares for:				
EA3.45283	. . CABLE, AFT, CONTROL, EMERGENCY RELEASE GEAR, BOMB DOOR, ASSEMBLY	1	—	KA2/1	
	Spares for:				
EA1.45.1129	. . . ROLLER, special	1	S1	KA1/2	
SP8Y13	. . . ROLLER	1	—	KA2/2	
W9/4P	. . . ROPE, wire, 5 cwt	1	W9/4	KA2/3	
EA3.45281	. . CABLE, AFT, CONTROL, EMERGENCY RELEASE GEAR, UNDERCARRIAGE, ASSEMBLY	1	—	KA2/4	
	Spares for:				
SP8Y13	. . . ROLLER	2	—	KA1/3	
EA1.45.905	. . . TUBE, 5/16" o/d x 20 SWG	1	T4	KA2/5	
W9/4P	. . . ROPE, wire, 5 cwt.	1	W9/4	KA2/6	
EA1.45.1211	. . . CLEAT, fairlead attachment	2	—	KA1/4	
	Attaching parts for EA1.45.1211:				
AGS2001B1	. . Nut, 4BA	1	—	KA1/5	
A31B12	. . Screw, 4BA	1	—	KA1/6	
SP15B	. . Washer, 4BA	1	—	KA1/7	
AGS899/1	. . COLLAR	2	—	KA2/7	
EA3.45.245	. . FAIRLEAD, single	1	DTD683	KA2/8	
	Attaching parts for EA3.45.245:				
AS1242/5B	. . Bolt, 4BA	2	—	KA2/9	
AGS2001B1	. . Nut, 4BA	2	—	KA2/10	
SP15B	. . Washer, 4BA	2	—	KA2/11	
EA1.45.1123	. . FAIRLEAD, double	1	LFS21	KA1/8	
	Attaching parts for EA1.45.1123:				
A25/5B	. . Bolt, 4BA	2	—	KA1/9	
AGS2001B1	. . Nut, 4BA	2	—	KA1/10	
SP15B	. . Washer, 4BA	2	—	KA1/11	
EA1.45.879	. . FAIRLEAD, single	1	LFS21	KA2/12	
	Attaching parts for EA1.45.879:				
A25/5C	. . Bolt, 2BA	2	—	KA2/13	
AGS2001C1/66	. . Nut, 2BA	2	—	KA2/14	
SP3Y412	. . FORK, joint	1	—	KA1/12	
SP3Y412L	. . FORK, joint	1	—	KA1/13	
SP3Y413	. . FORK, joint	1	—	KA1/14	
SP3Y413L	. . FORK, joint	1	—	KA1/15	
SP4Y/A3	. . PIN	2	—	KA1/16	
SP4Y/A4	. . PIN	2	—	KA2/15	
SP4Y/B4	. . PIN	2	—	KA1/17	
SP90C6	. . PIN, split	6	—	KA1/17A	

FUSELAGE  
CENTRE FUSELAGE

Part Number	Description	No. Off	Mati. Spec.	Plate No.
				1 2 3 4 5 6
EA1.45.859	. . . PULLEYS, BOMB DOOR AND UNDERCARRIAGE EMERGENCY RELEASE GEAR, ASSEMBLY	—	—	KA1/18
	Spares for:			
EA1.45.839	. . . BRACKET, pulley	1	—	KA2/16
EA1.45.841	. . . BRACKET, half, top, pulley	1	L72	KA1/19
EA1.45.843	. . . BRACKET, half, bottom, pulley	1	L72	KA1/20
	Attaching parts for EA1.45.841 and EA1.45.843:			
A25/1C	. . . Bolt, 2BA	3	—	KA1/21
AGS2001C1/66	. . . Nut, 2BA	3	—	KA1/22
SP15C	. . . Washer, 2BA	3	—	KA1/23
EA1.45.1005	. . . BRACKET, pulley	1	—	KA2/17
EA1.45.863	. . . FAIRLEAD	1	LFS21	KA2/18
	Attaching parts for EA1.45.863:			
A25/9C	. . . Bolt, 2BA	2	—	KA2/19
AGS2001C1/66	. . . Nut, 2BA	2	—	KA2/20
AS108	. . . PULLEY, c/w shroud	2	—	KA1/24
	Attaching parts for AS108:			
A25/11E	. . . Bolt, ¼" BSF	QR	—	KA1/25
A25/20E	. . . Bolt, ¼" BSF	QR	—	KA1/26
AGS2001E1/66	. . . Nut, ¼" BSF	1	—	KA1/27
EA1.45.837	. . . Packing	QR	—	KA1/28
SP15E	. . . Washer, ¼"	1	—	KA1/29
AS1151	. . . PULLEY, c/w shroud	4	—	KA2/21
	Attaching parts for AS1151:			
A25/12E	. . . Bolt, ¼" BSF	QR	—	KA2/22
A25/13E	. . . Bolt, ¼" BSF	QR	—	KA2/23
A25/17E	. . . Bolt, ¼" BSF	QR	—	KA2/24
AGS2001E1/66	. . . Nut, ¼" BSF	1	—	KA2/25
EA1.45.835	. . . Packing	1	—	KA2/26
EA1.45.845	. . . Packing	1	—	KA2/27
EEAS28/53HR	. . . Washer	1	—	KA2/28
EA1.45.1311	. . . Washer, special	1	—	KA2/29
EA1.45.1015	. . . Washer, wedge	1	—	KA2/30
SP15E	. . . Washer, ¼"	1	—	KA2/31
SP16E	. . . Washer, ¼"	1	—	KA2/32
EA1.45.1127	. . . RETAINER, cable	2	—	KA1/30
	Attaching parts for EA1.45.1127:			
AGS2002B1	. . . Nut, 4BA	1	—	KA1/31
A31B12	. . . Screw, 4BA	1	—	KA1/32
SP8Y1	. . . ROD, tension	1	—	KA1/33
SP8Y2	. . . ROD, tension	1	—	KA1/34
EA3.73.215	. . . HYDRAULIC EQUIPMENT (See Sect. SH)	—	—	
EA3.82.15	. . . INSTALLATION OF EXTERNAL INTER-COMM. CONNECTOR (See Sect. RD)	—	—	
EA3.56.453	. . . INSTALLATION OF 300-GALLON FUEL TANK, AFT POSITION (MOD.432 - S.O.O.) (See Sect. UB)	—	—	
EA3.57.5041	. . . INSTALLATION OF 300-GALLON FUEL TANK, FORWARD POSITION (MOD.3757 - S.O.O.) (See Sect. UB)	—	—	
EA3.57.483	. . . MODIFIED FUEL AND VENT, AND HYDRAULIC SYSTEMS FOR AUXILIARY FUEL TANK (MOD.1490 - S.O.O.) (See Sect. SG)	—	—	
R EA1.11.1	. . . STRUCTURE, CENTRE FUSELAGE, ASSEMBLY (See page KA.3)	—	—	

FUSELAGE  
CENTRE FUSELAGE STRUCTURE

Part Number	Description	No. Off	Matl. Spec.	Plate No.
EA1.11.1	STRUCTURE, CENTRE FUSELAGE, ASSEMBLY Spares for:	—	—	
EA3.11.655	. BOLT, special	10	—	KA3/1
EA3.11.677	. BOLT, special	10	—	KA3/2
EA1.11.1603	. BOLT, special, bulkhead attachment at frame 17	2	S11	KA3/3
EA1.11.1605	. BOLT, special, bulkhead attachment at frame 17	2	S11	KA3/4
EB6.11.2403/4	. BRACKET, WING PICK-UP AT FRAME 17 INSTALLATION (MOD.3156) Spares for:	—	—	
EB6.11.2405	. . BRACKET, wing pick-up, port (Mod.3156) (Pre Mod.3522)	1	—	KA3/5
or				
EB6.11.5025	. . BRACKET, wing pick-up, port (Mod.3156) (Pre Mod.3522)	1	S95 or S96	
or				
EB6.11.5029	. . BRACKET, wing pick-up, port (Mod.3156) (Pre Mod.3522)	1	—	
EB6.11.5131	. . BRACKET, wing pick-up, port (Mod.3522)	1	—	
or				
EB6.11.5129	. . BRACKET, wing pick-up, port (Mod.3522)	1	—	
or				
EB6.11.5127	. . BRACKET, wing pick-up, port (Mod.3522)	1	—	
EB6.11.2406	. . BRACKET, wing pick-up, starboard (Mod.3156) (Pre Mod.3522)	1	—	
or				
EB6.11.5026	. . BRACKET, wing pick-up, starboard (Mod.3156) (Pre Mod.3522)	1	S95 or S96	
or				
EB6.11.5030	. . BRACKET, wing pick-up, starboard (Mod.3156) (Pre Mod.3522)	1	—	
or				
EB6.11.5132	. . BRACKET, wing pick-up, starboard (Mod.3522)	1	—	
or				
EB6.11.5130	. . BRACKET, wing pick-up, starboard (Mod.3522)	1	—	
or				
EB6.11.5128	. . BRACKET, wing pick-up, starboard (Mod.3522) Attaching parts for wing pick-up bracket:	1	—	
A25/6C	. . Bolt, 2BA	12	—	KA3/6
A25/7C	. . Bolt, 2BA	7	—	KA3/7
AS1242/5C	. . Bolt, 2BA	8	—	KA3/8
AS1242/6C	. . Bolt, 2BA	7	—	KA3/9
AS1242/7C	. . Bolt, 2BA	3	—	KA3/10
A25/8E	. . Bolt, 1/4" BSF	2	—	KA3/11
A25/11J	. . Bolt, 3/8" BSF	1	—	KA3/12
A25/13J	. . Bolt, 3/8" BSF	1	—	KA3/13
AGS2001C1/66	. . Nut, 2BA	21	—	KA3/14
A27CP	. . Nut, 2BA	15	—	KA3/15
A27EP	. . Nut, 1/4" BSF	2	—	KA3/16
A27JP	. . Nut, 3/8" BSF	2	—	KA3/17
SP15C	. . Washer, 2BA	18	—	KA3/5A
SP15E	. . Washer, 1/4" BSF	2	—	KA3/16A
EB6.11.2407	. . CLEAT, fuselage to wing pick-up bracket at stringer 11, port aft, starboard fwd. (Mod.3156)	2	—	KA3/18
EB6.11.2408	. . CLEAT, fuselage to wing pick-up bracket at stringer 11, port fwd, starboard aft. (Mod.3156) Attaching parts for EB6.11.2407 and EB6.11.2408:	2	—	KA3/19
A25/8C	. . Bolt, 2BA	6	—	KA3/20
A27CP	. . Nut, 2BA	6	—	KA3/21
SP16C	. . Washer, 2BA	6	—	KA3/21A
EB6.11.2341	. . PANEL, access, port, 14 SWG (Mod.3156)	1	L72	KA3/22
EB6.11.2342	. . PANEL, access, starboard, 14 SWG (Mod.3156) Attaching parts for EB6.11.2341 and EB6.11.2342:	1	L72	
A25/2C	. . Bolt, 2BA	81	—	KA3/23
SP15C	. . Washer, 2BA	81	—	KA3/23A

FUSELAGE  
CENTRE FUSELAGE STRUCTURE

Part Number	Description	No. Off	Matl. Spec.	Plate No.
EA3.11.15	. BULKHEAD, rear fuel tank (Mod 55)	1	-	
EA1.11.3551	. BULKHEAD, fuel tank at frame 17 (Mod 648)	1	-	
R AGS899-15	. COLLAR, retaining	2	-	KA7/15A
R AGS899-18	. COLLAR, retaining	2	-	KA3/28
AGS899-19	. COLLAR, retaining	2	-	KA7/18A
AGS899-12	. COLLAR, special	2	-	KA3/30
EA1.11.1097	. DOOR, BOMB, PORT, ASSEMBLY	1	-	
	Spares for:-			
R EA1.11.1231	. . BOLT, eye	2	-	KA4/1
EA1.11.823	. . BRACKET, DOOR, ROLLER GUIDE	1	-	KA4/4
	Spares for:-			
EA1.11.837	. . . ROLLER	1	L40	KA4/6
	Attaching parts for EA1.11.837:-			
EA1.11.1615	. . . Bolt, special c/w lubricating nipple	1	-	KA4/5
A27GT	. . . Nut, 5-16" BSF	1	-	KA4/5A
EA1.11.1617	. . . Tube, 1-2" o/d x 1.04" x 20 SWG	1	T45	KA4/7
SP15G	. . . Washer, 5-16"	1	-	KA4/5B
	Attaching parts for EA1.11.823:-			
R A25-5E	. . Bolt, 1-4" BSF	2	-	KA4/2
R EA1.11.1573	. . Bolt, special	2	-	KA4/2A
EA1.11.825	. . BRACKET, DOOR, ROLLER GUIDE	1	-	KA4/8
	Spares for:-			
EA1.11.837	. . . ROLLER	1	L40	KA4/6
	Attaching parts for EA1.11.837:-			
EA1.11.1615	. . . Bolt, special c/w lubricating nipple	1	-	KA4/5
A27GT	. . . Nut, 5-16" BSF	1	-	KA4/5A
EA1.11.1617	. . . Tube, 1-2" o/d x 1.04" x 20 SWG	1	T45	KA4/7
SP15G	. . . Washer, 5-16"	1	-	KA4/5B
	Attaching parts for EA1.11.825:-			
R A25-5E	. . Bolt, 1-4" BSF	2	-	KA4/2
R EA1.11.1573	. . Bolt, special	2	-	KA4/2A
EA1.11.827	. . BRACKET, DOOR, ROLLER GUIDE	1	-	KA4/9
	Spares for:-			
EA1.11.837	. . . ROLLER	1	L40	KA4/6
	Attaching parts for EA1.11.837:-			
EA1.11.1615	. . . Bolt, special c/w lubricating nipple	1	-	KA4/5
A27GT	. . . Nut, 5-16" BSF	1	-	KA4/5A
EA1.11.1617	. . . Tube, 1-2" o/d x 1.04" x 20 SWG	1	T45	KA4/7
SP15G	. . . Washer, 5-16"	1	-	KA4/5B
	Attaching parts for EA1.11.827:-			
R A25-5E	. . Bolt, 1-4" BSF	2	-	KA4/2
R EA1.11.1573	. . Bolt, special	2	-	KA4/2A
EA1.11.829	. . BRACKET, DOOR, ROLLER GUIDE	1	-	KA4/10
	Spares for:-			
EA1.11.837	. . . ROLLER	1	L40	KA4/6
	Attaching parts for EA1.11.837:-			
EA1.11.1615	. . . Bolt, special c/w lubricating nipple	1	-	KA4/5
A27GT	. . . Nut, 5-16" BSF	1	-	KA4/5A
EA1.11.1617	. . . Tube, 1-2" o/d x 1.04" x 20 SWG	1	T45	KA4/7
SP15G	. . . Washer	1	-	KA4/5B
	Attaching parts for EA1.11.829:-			
R A25-5E	. . Bolt, 1-4" BSF	4	-	KA4/2
EA1.11.831	. . BRACKET, DOOR, ROLLER GUIDE	1	-	KA4/11
	Spares for:-			
EA1.11.837	. . . ROLLER	1	L40	KA4/6
	Attaching parts for EA1.11.837:-			
EA1.11.1615	. . . Bolt, special c/w lubricating nipple	1	-	KA4/6
A27GT	. . . Nut, 5-16" BSF	1	-	KA4/5A
EA1.11.1617	. . . Tube, 1-2" o/d x 1.04" x 20 SWG	1	T45	KA4/7
SP15G	. . . Washer, 5-16"	1	-	KA4/5B
	Attaching parts for EA1.11.831:-			
R A25-5E	. . Bolt, 1-4" BSF	4	-	KA4/2

FUSELAGE  
CENTRE FUSELAGE STRUCTURE

Part Number	Description	No. Off	Matl. Spec.	Plate No.
EA1.11.833	. . . BRACKET, DOOR, ROLLER GUIDE Spares for:	1	—	KA4/12
EA1.11.837	. . . ROLLER Attaching parts for EA1.11.837:	1	L40	KA4/6
EA1.11.1615	. . . Bolt, special c/w lubricating nipple	1	—	KA4/5
A27GT	. . . Nut, 5/16" BSF	1	—	KA4/5A
EA1.11.1617	. . . Tube, 1/2" o/d x 1.04" x 20 SWG	1	T45	KA4/7
SP15G	. . . Washer, 5/16"	1	—	KA4/5B
	Attaching parts for EA1.11.833			
A25/5E	. . . Bolt, 1/4" BSF	4	—	KA4/2
EA1.11.845	. . . BRACKET, ROLLER, MOUNTING BOMB DOOR CENTRE TRACK, PORT Spares for:	1	—	KA4/13
EA1.11.847	. . . ROLLER, locating Attaching parts for EA1.11.847:	1	BSS369	KA4/17
AS1242/30E	. . . Bolt, 1/4" BSF	1	—	KA4/20
A27EP	. . . Nut, 1/4" BSF	1	—	KA4/20C
EA1.11.853	. . . Pin, special	1	S11	KA4/15
SP18E	. . . Washer, 1/4"	1	—	KA4/20B
EA1.11.857	. . . Washer, special	1	DTD124	KA4/20A
EA1.11.849	. . . ROLLER, main Attaching parts for EA1.11.849:	1	BSS369	KA4/18
EA1.11.855	. . . Pin, special locating inboard roller	1	S11	KA4/16
EA1.11.1365	. . . ROLLER, main Attaching parts for EA1.11.1365:	1	BSS369	KA4/19
A27EP	. . . Nut, 1/4" BSF	1	—	KA4/14B
EA1.11.851	. . . Pin, special	1	S11	KA4/14
SP13E	. . . Washer, 1/4"	2	—	KA4/14A
EA1.11.1367	. . . Washer, special	1	S11	LA4/21
	Attaching parts for EA1.11.845:			
A25/6E	. . . Bolt	1	—	KA4/45
A25/10J	. . . Bolt	1	—	KA4/43
AGS2001J1	. . . Nut, 3/8" BSF	1	—	KA4/42A
AGS162D	. . . Washer	1	—	KA4/46
AGS162F	. . . Washer	1	—	KA4/44
EA1.11.1177	. . . CONNECTION, main hinge stay	1	L40	KA4/22
EA1.11.1179	. . . CONNECTION, main hinge stay	1	DTD683	KA4/23
EA1.11.1441	. . . FLAP, roller	1	—	KA4/24
EA1.11.2563	. . . FLAP, hinged	1	—	KA4/25
EA1.11.933	. . . HINGE, BOMB DOOR, MAIN BRACKET REAR END ASSEMBLY Spares for:	1	—	KA4/26
EA1.11.927	. . . BEARING, journal	1	DTD197	KA4/27
EA1.11.929	. . . BEARING, journal	1	DTD197	KA4/28
EA1.11.1467	. . . BRACKET Attaching parts for EA1.11.1467:	1	L40	KA4/29
A25/1C	. . . Bolt, 2BA	2	—	KA4/29A
SP47C	. . . Washer	2	—	KA4/29B

## CENTRE FUSELAGE STRUCTURE

Part Number	Description	No. Off	Matl. Spec.	Plate No.	1 2 3 4 5 6					
EA1.11.1673	. . . BUSH	1	—	KA4/28A						
EA1.11.1677	. . . BUSH	1	—	KA4/27A						
	Attaching parts for EA1.11.933:									
A25/7J	. . . Bolt, 3/8" BSF	2	—	KA4/26A						
A25/7L	. . . Bolt, 7/16" BSF	2	—	KA4/26B						
A254E	. . . Bolt, 1/4" BSF	6	—	KA4/26C						
EA1.11.935	. . HINGE, BOMB DOOR MAIN BRACKET FORWARD END, ASSEMBLY (Supplied to Part No.EA3.00.1001 for spares purposes) Spares for:	1	—	KA4/30						
EA1.11.929	. . . BEARING, journal	1	DTD197	KA4/31						
EA1.11.931	. . . BEARING, journal	1	DTD197	KA4/32						
R EA1.11.1468	. . . BRACKET Attaching parts for EA1.11.1468:	1	L40	KA4/33						
R A25/3C	. . . Bolt, 2BA	2	—	KA4/33A						
R A27/CP	. . . Nut, 2BA	2	—	KA4/33B						
EA1.11.1675	. . . BUSH	1	—	KA4/31A						
EA1.11.1678	. . . BUSH	1	—	KA4/32A						
	Attaching parts for EA1.11.935:									
EA1.11.1601	. . Bolt, special	2	S11	KA4/3						
R A25/4C	. . Bolt, 2BA	6	—	KA4/3A						
A25/6G	. . Bolt, 5/16" BSF	2	—	KA4/3B						
EA1.11.1607	. . HINGE, flap roller clearance (Make from AS1878/15)	1	—	KA4/34						
R A27CP	. . NUT, 1/4" BSF	2	—	KA4/1A						
R EA3.11.117	. . SEAL, 'P' (Make from EEAS123) (26FZ/4431) (Pre Mod.5282)	1	—	KA4/36						
R EA3.11.5191	. . SEAL, 'P' (Make from EEAS845) (26FZ/6147756) (Mod.5282)	1	—							
R EA3.11.119	. . SEAL, 'P' (Make from EEAS123) (26FZ/4431) (Pre Mod.5282)	1	—	KA4/37						
R EA3.11.5193	. . SEAL, 'P' (Make from EEAS845) (26FZ/6147756) (Mod.5282)	1	—							
R EA3.11.121	. . SEAL, 'P' (Make from EEAS123) (26FZ/4431) (Pre Mod.5282)	1	—	KA4/35						
R EA3.11.5195	. . SEAL, 'P' (Make from EEAS845) (26FZ/6147756)	1	—							
R EA1.11.2621	. . SHIM	1	—	KA4/27B						
R EA1.11.3197	. . SHIM	1	—	KA4/31B						
EA1.11.1309	. . SPRING, leaf, outboard	1	Spring steel	KA4/38						
EA1.11.1311	. . SPRING, leaf, inboard	1	Spring steel	KA4/39						
EA1.11.1205	. . STAY, main hinge support	1	—	KA4/40						
EA1.11.1207	. . STAY, main hinge support	1	—	KA4/41						
EA1.11.1327	. . STUD, securing roller bracket	1	S11	KA4/42						
EA1.11.1098	. DOOR, BOMB, STARBOARD, ASSEMBLY Spares for:	1	—							
EA1.11.1231	. . BOLT, eye	2	—	KA5/1						
EA1.11.823	. . BRACKET, DOOR, ROLLER GUIDE Spares for:	1	—	KA5/4						
EA1.11.837	. . . ROLLER Attaching parts for EA1.11.837:	1	L40	KA5/6						
EA1.11.1615	. . . Bolt, special c/w lubricating nipple	1	—	KA5/5						
A27GT	. . . Nut, 5/16" BSF	1	—	KA5/5A						
EA1.11.1617	. . . Tube, 1/2" o/d x 1.04" x 20 SWG	1	T45	KA5/7						
SP15G	. . . Washer, 5/16"	1	—	KA5/5B						
	Attaching parts for EA1.11.823:									
R A25/5E	. . Bolt, 1/4" BSF	2	—	KA5/2A						
R EA1.11.1573	. . Bolt, special	2	—	KA5/2						

## CENTRE FUSELAGE STRUCTURE

Part Number	Description	No. Off	Matl. Spec.	Plate No.
EA1.11.825	. . . BRACKET, DOOR, ROLLER GUIDE Spares for:	1	—	KA5/8
EA1.11.837	. . . ROLLER Attaching parts for EA1.11.837:	1	L40	KA5/6
EA1.11.1615	. . . Bolt, special c/w lubricating nipple	1	—	KA5/5
A27GT	. . . Nut, 5/16" BSF	1	—	KA5/5A
EA1.11.1617	. . . Tube, 1/2" o/d x 1.04" x 20 SWG	1	T45	KA5/7
SP15G	. . . Washer, 5/16"	1	—	KA5/5B
	Attaching parts for EA1.11.825:			
R A25/5E	. . . Bolt, 1/4" BSF	2	—	KA5/2A
R EA1.11.1573	. . . Bolt, special	2	—	KA5/2
EA1.11.827	. . . BRACKET, DOOR, ROLLER GUIDE Spares for:	1	—	KA5/9
EA1.11.837	. . . ROLLER Attaching parts for EA1.11.837:	1	L40	KA5/6
EA1.11.1615	. . . Bolt, special, c/w lubricating nipple	1	—	KA5/5
A27GT	. . . Nut, 5/16" BSF	1	—	KA5/5A
EA1.11.1617	. . . Tube, 1/2" o/d x 1.04" x 20 SWG	1	T45	KA5/7
SP15G	. . . Washer, 5/16"	1	—	KA5/5B
	Attaching parts for EA1.11.827:			
R A25/5E	. . . Bolt, 1/4" BSF	2	—	KA5/2A
R EA1.11.1573	. . . Bolt, special	2	—	KA5/2
EA1.11.829	. . . BRACKET, DOOR, ROLLER GUIDE Spares for:	1	—	KA5/10
EA1.11.837	. . . ROLLER Attaching parts for EA1.11.837:	1	L40	KA5/6
EA1.11.1615	. . . Bolt, special, c/w lubricating nipple	1	—	KA5/5
A27GT	. . . Nut, 5/16" BSF	1	—	KA5/5A
EA1.11.1617	. . . Tube, 1/2" o/d x 1.04" x 20 SWG	1	T45	KA5/7
SP15G	. . . Washer	1	—	KA5/5B
	Attaching parts for EA1.11.829:			
R A25/5E	. . . Bolt, 1/4" BSF	4	—	KA5/2A
EA1.11.831	. . . BRACKET, DOOR, ROLLER GUIDE Spares for:	1	—	KA5/11
EA1.11.837	. . . ROLLER Attaching parts for EA1.11.837:	1	L40	KA5/6
EA1.11.1615	. . . Bolt, special, c/w lubricating nipple	1	—	KA5/5
A27GT	. . . Nut, 5/16" BSF	1	—	KA5/5A
EA1.11.1617	. . . Tube, 1/2" o/d x 1.04" x 20 SWG	1	T45	KA5/7
SP15G	. . . Washer, 5/16"	1	—	KA5/5B
	Attaching parts for EA1.11.831:			
R A25/5E	. . . Bolt, 1/4" BSF	4	—	KA5/2A
EA1.11.833	. . . BRACKET, DOOR ROLLER GUIDE Spares for:	1	—	KA5/12
EA1.11.837	. . . ROLLER Attaching parts for EA1.11.837:	1	L40	KA5/6
EA1.11.1615	. . . Bolt, special, c/w lubricating nipple	1	—	KA5/5
A27GT	. . . Nut, 5/16" BSF	1	—	KA5/5A
EA1.11.1617	. . . Tube, 1/2" o/d x 1.04" x 20 SWG	1	T45	KA5/7
SP15G	. . . Washer, 5/16"	1	—	KA5/5B
	Attaching parts for EA1.11.833:			
R A25/5E	. . . Bolt, 1/4" BSF	4	—	KA5/2A

## CENTRE FUSELAGE STRUCTURE

Part Number	Description	No. Off	Matl. Spec.	Plate No.
EA1.11.846	. . . BRACKET, ROLLER, MOUNTING BOMB DOOR CENTRE TRACK, STARBOARD Spares for:	1	—	KA5/3
EA1.11.847	. . . ROLLER, locating Attaching parts for EA1.11.847:	1	BSS369	KA5/17
AS1242/30E	. . . Bolt, 1/4" BSF	1	—	KA5/20
A27EP	. . . Nut, 1/4" BSF	1	—	KA5/20C
EA1.11.853	. . . Pin, special main roller	1	—	KA5/15
SP18E	. . . Washer, 1/4"	1	—	KA5/20B
EA1.11.857	. . . Washer, special	1	DTD124	KA5/20A
EA1.11.849	. . . ROLLER, main Attaching parts for EA1.11.849:	1	BSS369	KA5/18
EA1.11.855	. . . Pin, special	1	S11	KA5/16
EA1.11.1365	. . . ROLLER, main Attaching parts for EA1.11.1365:	1	BSS369	KA5/19
A27EP	. . . Nut, 1/4" BSF	1	—	KA5/14B
EA1.11.851	. . . Pin, special	1	S11	KA5/14
SP13E	. . . Washer, 1/4"	2	—	KA5/14A
EA1.11.1367	. . . Washer	1	S11	KA4/21
	Attaching parts for EA1.11.846:			
A25/6E	. . . Bolt	1	—	KA5/43
A25/10J	. . . Bolt	1	—	KA5/45
AGS2001J1	. . . Nut, 3/8" BSF	1	—	KA5/42A
SP47D	. . . Washer	1	—	KA5/44
SP47F	. . . Washer	1	—	KA5/46
EA1.11.1178	. . . CONNECTION, main hinge stay	1	L40	KA5/22
EA1.11.1180	. . . CONNECTION, main hinge stay	1	DTD683	KA5/23
EA1.11.1441	. . . FLAP, roller	1	—	KA5/24
EA1.11.2563	. . . FLAP, roller	1	—	KA5/25
EA1.11.934	. . . HINGE, BOMB DOOR MAIN BRACKET REAR END, ASSEMBLY Spares for:	1	—	KA5/26
EA1.11.927	. . . BEARING, journal	1	DTD197	KA5/27
EA1.11.929	. . . BEARING, journal	1	DTD197	KA5/28
EA1.11.1468	. . . BRACKET Attaching parts for EA1.11.1468:	1	L40	KA5/29
A25/1C	. . . Bolt, 2BA	2	—	KA5/29A
SP47C	. . . Washer, 2BA	2	—	KA5/29B
EA1.11.1673	. . . BUSH	1	—	KA5/28A
EA1.11.1677	. . . BUSH	1	—	KA5/27A
	Attaching parts for EA1.11.934:			
A25/7J	. . . Bolt, 3/8" BSF	2	—	KA5/26A
A25/7L	. . . Bolt, 7/16" BSF	2	—	KA5/26B
A25/4E	. . . Bolt, 1/4" BSF	6	—	KA5/26C

AP101B-0402-3A

FUSELAGE  
CENTRE FUSELAGE STRUCTURE

Part Number	Description	No. Off	Matl. Spec.	Plate No.
EA1.11.936	. . . HINGE, BOMB DOOR MAIN BRACKET FORWARD END, ASSEMBLY (Supplied to Part No.EA3.00.1002 for spares purposes) Spares for:	1	—	KA5/30
EA1.11.929	. . . BEARING, journal	1	DTD197	KA5/31
EA1.11.931	. . . BEARING, journal	1	DTD197	KA5/32
R EA1.11.1467	. . . BRACKET Attaching parts for EA1.11.1467:	1	L40	KA5/33
R A25/3C	. . . Bolt, 2BA	2	—	KA5/33A
R A27/CP	. . . Nut, 2BA	2	—	KA5/33B
EA1.11.1675	. . . BUSH	1	—	KA5/31A
EA1.11.1678	. . . BUSH Attaching parts for EA1.11.936:	1	—	KA5/32A
EA1.11.1601	. . Bolt, special	2	—	KA5/30A
R A25/4C	. . Bolt, 2BA	6	—	KA5/30B
A25/6G	. . Bolt, 5/16" BSF	2	—	KA5/30C
EA1.11.1607	. . HINGE, flap, roller clearance	1	—	KA5/34
R A27CP	. . NUT, 1/4" BSF	2	—	KA5/1A
R EA3.11.117	. . SEAL, 'P' (Make from EEAS123) (26FZ/4431) (Pre Mod.5282)	1	—	KA5/36
R EA3.11.5191	. . SEAL, 'P' (Make from EEAS845) (26FZ/6147756) (Mod.5282)	1	—	
R EA3.11.119	. . SEAL, 'P' (Make from EEAS123) (26FZ/4431) (Pre Mod.5282)	1	—	KA5/37
R EA3.11.5193	. . SEAL, 'P' (Make from EEAS845) (26FZ/6147756) (Mod.5282)	1	—	
R EA3.11.121	. . SEAL, 'P' (Make from EEAS123) (26FZ/4431) (Pre Mod.5282)	1	—	KA5/35
R EA3.11.5195	. . SEAL, 'P' (Make from EEAS845) (26FZ/6147756)	1	—	
R EA1.11.2621	. . SHIM	1	—	KA5/27B
R EA1.11.3197	. . SHIM	1	—	KA5/32B
EA1.11.1309	. . SPRING, leaf	1	Spr. Steel	KA5/38
EA1.11.1311	. . SPRING, leaf	1	Spr. Steel	KA5/39
EA1.11.1205	. . STAY, main hinge support	1	—	KA5/40
EA1.11.1207	. . STAY, main hinge support	1	—	KA5/41
EA1.11.1327	. . STUD, securing roller bracket	1	S11	KA5/42
EA1.11.5	. KEEL UNIT, ASSEMBLY Spares for:	—	—	
EA1.11.1007	. . BRACKET, hinge, u/c door mounting	2	—	KA6/1
EA1.11.1009	. . BRACKET, valve mounting, u/c door operating	1	—	KA6/2
EA1.11.1001	. . BRACKET, hinge, u/c door mounting, aft, port	1	L73	KA6/3
EA1.11.1012	. . BRACKET, hinge, u/c door mounting, aft, starboard	1	L73	
EA1.11.427	. . DOOR, ACCESS ACCUMULATOR COMPARTMENT, ASSEMBLY (Supplied to Part No.EA3.00.153 for spares purposes) Spares for:	1	—	
EA1.11.463	. . . CLIP, door stay stowage	2	Spr. Steel	KA6/4
FAIREY FS.400A	. . . FASTENER, door	3	—	KA6/5
EA1.11.2793	. . . HINGE, door	1	—	KA6/6
EA1.11.2799	. . . SEALING, door	1	—	KA6/7
EA1.11.429	. . . STAY, SIDE DOOR, ASSEMBLY Spares for:	2	—	
EA1.11.441	. . . . BOLT, eye, special anchor, side stay	2	S1	KA6/8
EA1.11.445	. . . . FORK, stay, support	2	S1	KA6/9
EA1.11.2801	. . . STRIP, attachment, sealing	2	L72	KA6/10
EA1.57.1319	. . FAIRLEAD, air pipes at frame 22	2	LFS21	KA6/11
EA1.57.1325	. . FAIRLEAD, fuel pipes	2	LFS21	

## FUSELAGE

## CENTRE FUSELAGE STRUCTURE

Part Number	Description	No. Off	Matl. Spec.	Plate No.
EA3.11.7	KEEL UNIT, STRUCTURE, ASSEMBLY (MOD.55) Spares for:	—	—	
EA1.11.317	BEAM, bomb	1	—	KA6/12
EA1.11.1769	BEAM, floor, between frames 14 and 15, port	1	—	
EA1.11.1777	BEAM, floor, between frames 14 and 15, starboard	1	—	
EA1.11.3213	BOLT, special, port only	2	MS	KA6/13
EA1.11.871	BULKHEAD, REAR BOMB BAY Spares for:	1	—	
EA3.11.853	DOOR, ACCESS, BOMB BAY INSPECTION, ASSEMBLY (Mod.1199) Spares for:	—	—	
EA3.11.859	BRACKET, access door hinge, L.H.	1	DTD683	KA6/14
EA3.11.860	BRACKET, access door hinge, R.H.	1	DTD683	KA6/15
EA3.11.855	DOOR, ACCESS Spares for:	1	—	
AVDEL A411	PIN, "pip" quick release	1	—	KA6/16
EA3.11.867	RING, sealing	1	Neo-K-Tex	KA6/17
EA3.11.861	SKIN, access door hinge	2	—	
EA3.11.17	BULKHEAD, FRAME 13, BOMB BAY ASSEMBLY Spares for:	1	—	
EA1.11.867	BRACKET, jack anchorage, bomb doors	1	L45	KA6/18
EA1.11.199	FRAME, ACCUMULATOR DOOR Spares for:	1	—	
EA3.11.135	BRACKET	1	L72	KA6/19
EA3.11.629	GLASS, camera frame	1	—	KA6/20
EA1.11.547	PLATE, cover, camera window	1	L73	KA6/21
EA1.11.537	RING, reinforcing, camera opening	1	—	KA6/22
EA1.11.541	RING, retaining, camera window	1	L72	KA6/23
EEAS1/2C	SCREW, 2BA	24	HTS	KA6/24
EA1.11.673	STRIP, retaining, identification lamp window	1	L72	KA6/25
EA1.11.865	STRUT, support, bomb door track, frame 22	2	—	KA6/26
EA1.11.801	TRACK, bomb door, main spar, port	1	—	KA6/27
EA1.11.802	TRACK, bomb door, main spar, starboard	1	—	
EA1.11.669	WINDOW, identification lamp	1	DTD339	KA6/28
EA1.11.3355	PLUG, sealing	4	Sorbo Rubber	KA6/29
EEAS1/1C	SCREW, 2BA	9	HTS	KA6/30
EEAS1/3½C	SCREW, 2BA	92	HTS	KA6/31
EA3.11.121	SEAL, 'P' (Make from EEAS123) (26FZ/4431) (Pre Mod.5282)	2	—	KA6/34
EA3.11.5195	SEAL, 'P' (Make from EEAS845) (26FZ/6147756) (Mod.5282)	2	—	
EA3.11.123	SEAL, 'P' (Make from EEAS123) (26FZ/4431) (Pre Mod.5282)	1	—	KA6/32
EA3.11.5197	SEAL, 'P' (Make from EEAS845) (26FZ/6147756) (Mod.5282)	1	—	
EA3.11.125	SEAL, 'P' (Make from EEAS123) (26FZ/4431) (Pre Mod.5282)	1	—	KA6/33
EA3.11.5199	SEAL, 'P' (Make from EEAS845) (26FZ/6147756) (Mod.5282)	1	—	
EEAS27/34GR	WASHER, 14 SWG	2	L72	KA6/35
EEAS27/46FR	WASHER, 16 SWG	3	L72	KA6/36
EEAS27/61FR	WASHER, 16 SWG	3	L72	KA6/37
EEAS28/4GR	WASHER, 16 SWG	14	L72	KA6/38
EA1.11.817	LINK, ACTUATING CONNECTION BETWEEN HYDRAULIC JACK AND BOMB DOOR HINGE BRACKET, REAR END ASSEMBLY Spares for:	2	—	
EA1.11.819	FITTING, fork-end	1	DTD683	KA7/1
EA1.11.821	FITTING, fork-end, adjustable	1	DTD683	KA7/2
EEAS37/15A	NIPPLE, 4BA	8	S11	KA7/3
EA1.11.1083	NUT, special, 7/8" BSF	1	S1	KA7/4
EA1.11.1081	SLEEVE	1	DTD683	KA7/5
EEAS38/2A	SPOKE, 4BA	8	S11	KA7/6

## CENTRE FUSELAGE STRUCTURE

Part Number	Description	No. Off	Matl. Spec.	Plate No.
EA1.11.937	. LINK, connecting Attaching parts for EA1.11.937:	1	L40	KA7/7
EA1.11.1105	. Collar	1	DTD126A	KA7/23A
AGS899/12	. Collar	1	—	KA7/16A
SP4Y/R33	. Pin, clevis	1	—	KA7/23
EA1.11.1103	. Pin, clevis	1	S11	KA7/16
SP90G8	. Pin, split, 1/8" dia	1	—	KA7/24B
SP90H9	. Pin, split, 5/32" dia	1	—	KA7/16B
SP15Q	. Washer	2	—	KA7/23C
EA1.11.3261	. LINK, connecting Attaching parts for EA1.11.3261:	1	L40	KA7/8
EA1.11.1091	. Collar	1	—	KA7/24A
EA1.11.3245	. Collar	1	—	KA7/22A
EA1.11.1587	. Pin, clevis	1	—	KA7/24
SP4Y/R29	. Pin, clevis	1	—	KA7/22
SP90H9	. Pin, split	1	—	KA7/24B
SP90H12	. Pin split	1	—	KA7/22B
SP16Q	. Washer	2	—	KA7/22C
EA1.11.941	. LINK, ACTUATING CONNECTION BETWEEN HYDRAULIC JACK AND BOMB DOOR HINGE BRACKET FORWARD END, ASSEMBLY Spares for:	2	—	
EA1.11.943	. . FITTING, fork end	1	DTD683	KA7/9
EA1.11.945	. . FITTING, fork end, adjustable	1	DTD683	KA7/10
EEAS37/14A	. . NIPPLE, 4BA	16	S11	KA7/11
EA1.11.1079	. . SLEEVE	1	DTD683	KA7/12
EEAS38/2A	. . SPOKE, 4BA	8	S11	KA7/13
EA1.11.1087	. PIN, special	1	S11	KA7/14
EA2.11.1301	. PIN, special	2	S82	KA7/15
EA1.11.1107	. PIN, special	1	S11	KA7/17
EA1.11.1109	. PIN, special	2	S82	KA7/18
AVDEL S5260/916	. PIN, quick release (Mod.3274)	2	—	KA7/19
AVDEL A5260/1218	. PIN, quick release (Mod.3274)	2	—	KA7/20
AVDEL S5260/1640	. PIN, quick release (Mod.3274)	4	—	KA7/21
SP90/H9	. PIN, split	2	—	KA7/15B
SP90/K13	. PIN, split	2	—	KA7/18B
EA1.11.9	. ROOF UNIT, ASSEMBLY Spares for:	1	—	
EA3.11.1181	. . ACCESS TO VENT CONNECTIONS ON NO.3 FUEL TANK AT FRAME 22, ASSEMBLY Spares for:	—	—	
EA3.11.1149	. . . PANEL	1	L73	KA8/1
EEAS1/1½C	. . . SCREW, 2BA	28	S96	KA8/2
EEAS1/2½C	. . . SCREW, 2BA	4	S96	KA8/3
EEAS1/2½E	. . . SCREW, ½" BSF	8	S96	KA8/4
EA1.11.3173	. . ANGLE, landing wing, port, centre	1	—	KA8/5
EA1.11.3174	. . ANGLE, landing wing, starboard, centre	1	—	
EA1.11.3175	. . ANGLE, landing wing, port, forward	1	L72	KA8/6
EA1.11.3176	. . ANGLE, landing wing, starboard, forward	1	L72	

## FUSELAGE

AP101B-0402-3A

## CENTRE FUSELAGE STRUCTURE

Part Number	Description	No. Off	Matl. Spec.	Plate No.
EA1.11.3323	. . BRACKET, attachment, wing to fuselage, port	1	S96	KA8/7
EA1.11.3324	. . BRACKET, attachment, wing to fuselage, starboard	1	S96	
EA1.11.1023	. . BRACKET, mounting, undercarriage door jack, port	1	L73	
EA1.11.1024	. . BRACKET, mounting, undercarriage door jack, starboard	1	L73	
EEAS222/3C	. . Bolt, 2BA (Make from A25/3C)	4	—	
EA1.57.135	. . FITTING, drain outlet	3	—	KA8/8
EA1.11.771	. . PLATE, attachment, filler cap	3	L73	KA8/9
EA1.11.1651	. . PLATE, cover	1	—	KA8/10
EA1.11.1653	. . PLATE, cover	1	—	KA8/11
EA1.11.1655	. . PLATE, cover	1	—	KA8/12
EA1.11.1657	. . PLATE, cover	1	—	KA8/13
EEAS1/1C	. . SCREW, 2BA	96	S96	KA8/14
EEAS1/1½C	. . SCREW, 2BA	210	S96	KA8/15
EA1.11.1085	. SLEEVE, bearing	4	S11	
EA2.11.881	. WASHER, special	4	S82	
EA1.11.1101	. WASHER, special	4	S82	

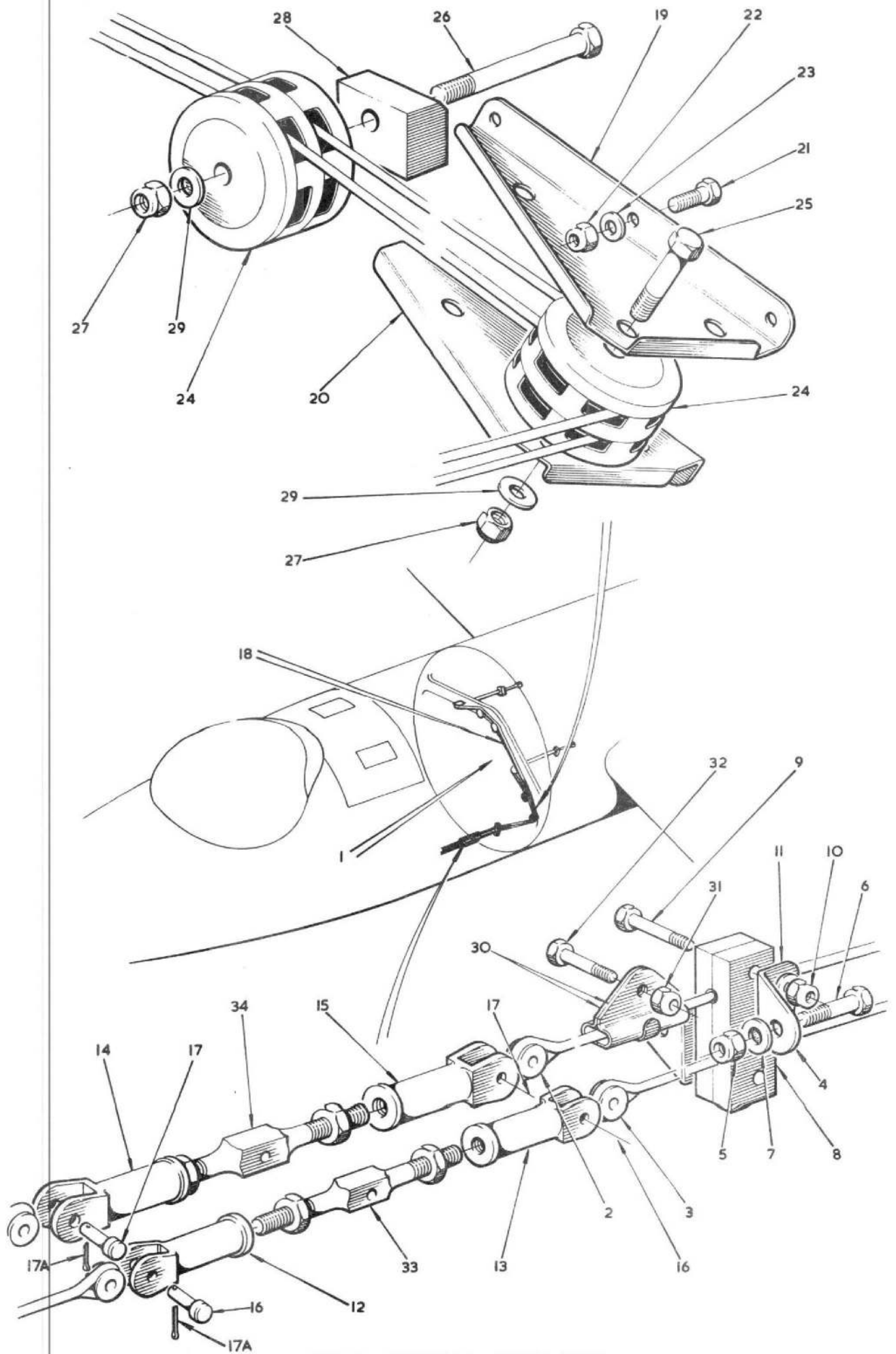


FIG. I CENTRE FUSELAGE

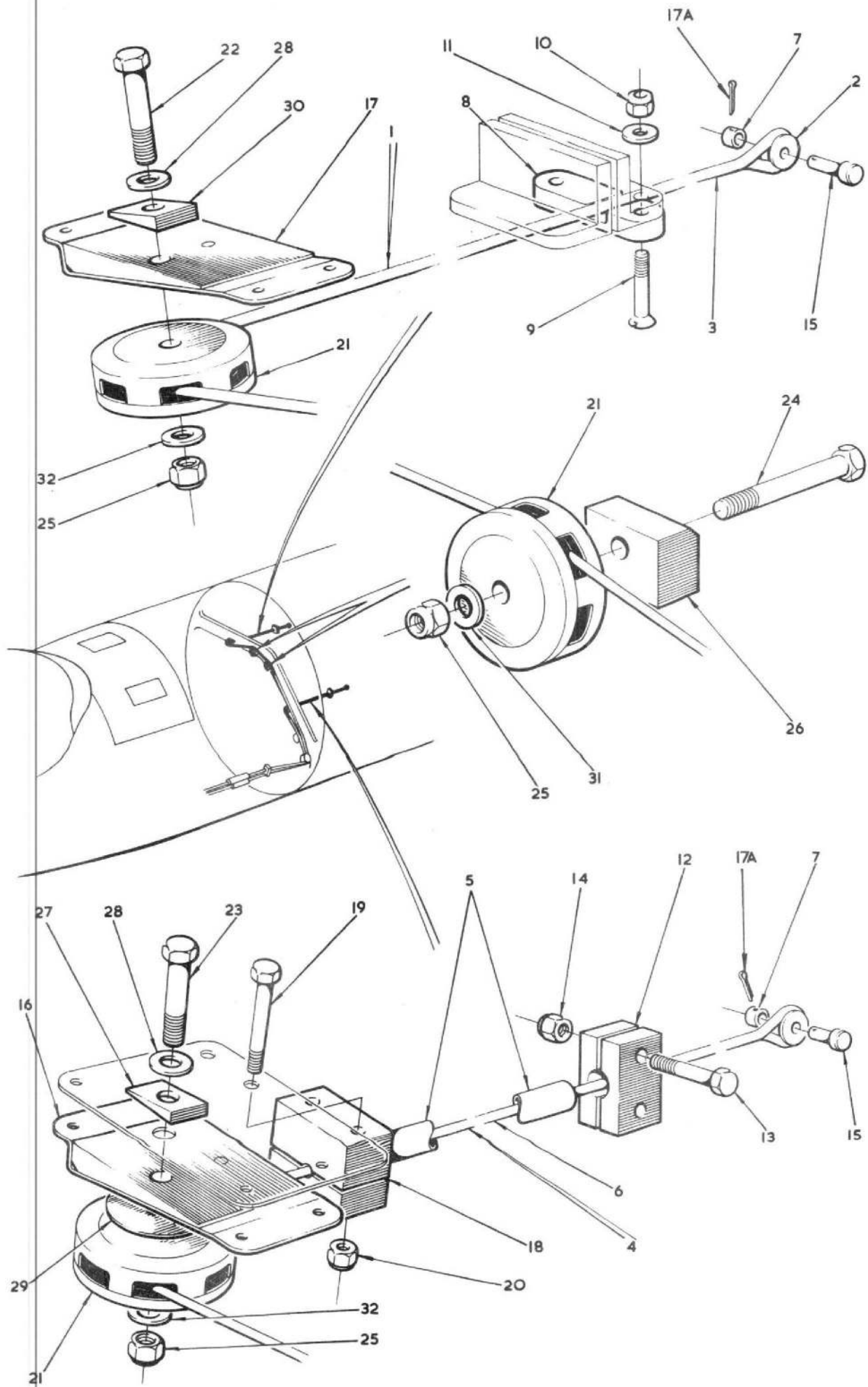


FIG. 2 CENTRE FUSELAGE

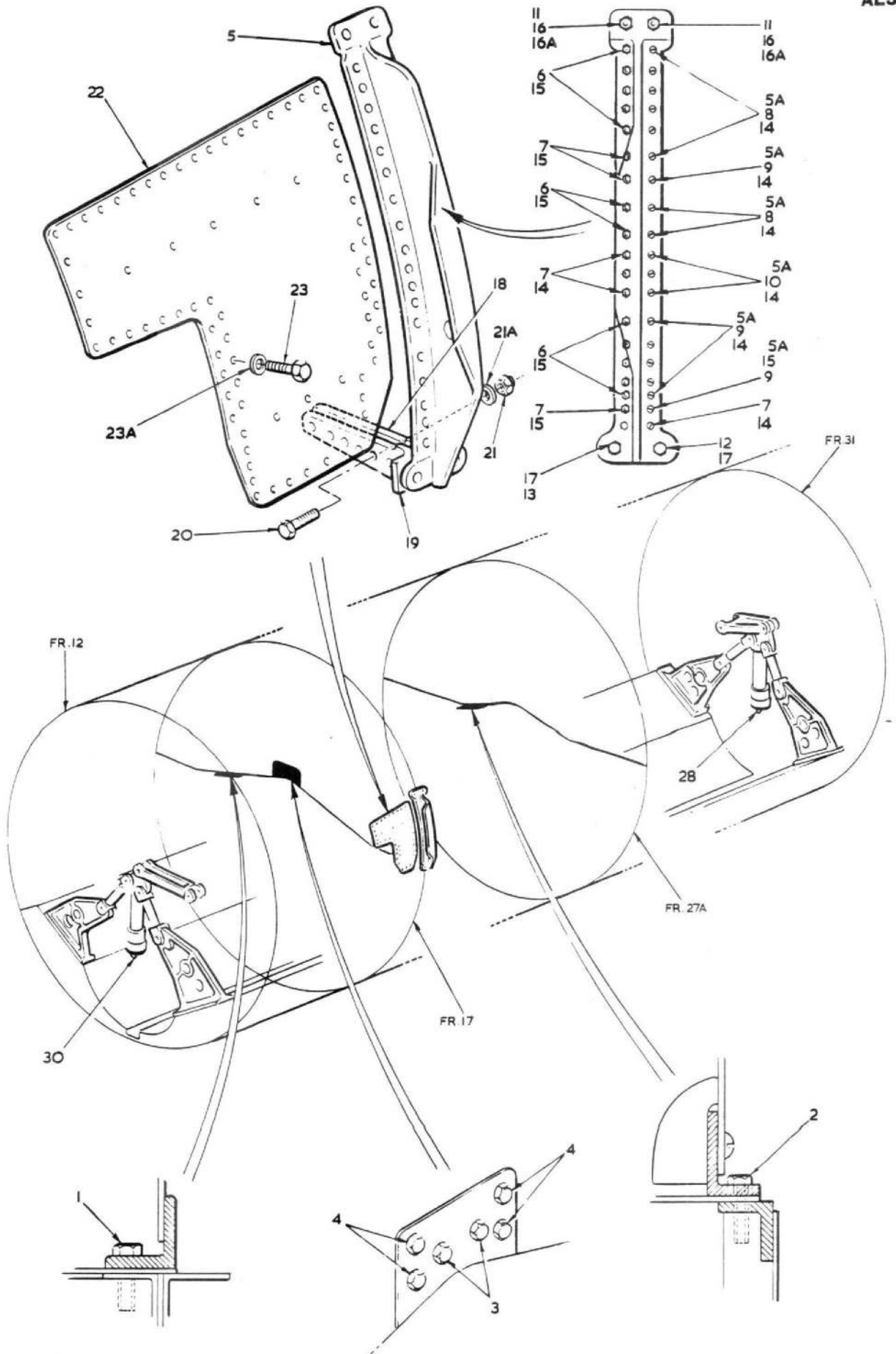


FIG.3 CENTRE FUSELAGE STRUCTURE

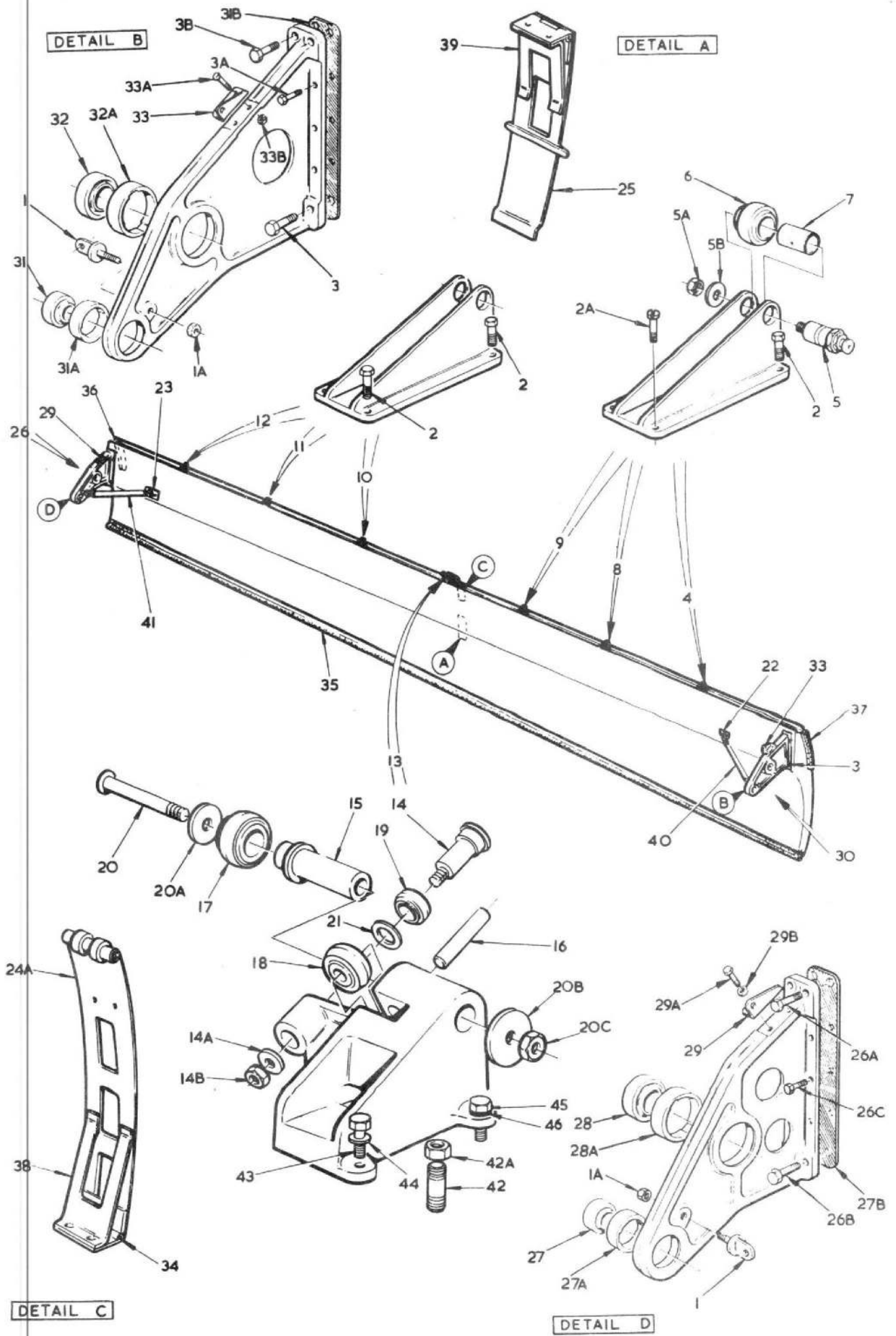


FIG 4 CENTRE FUSELAGE STRUCTURE

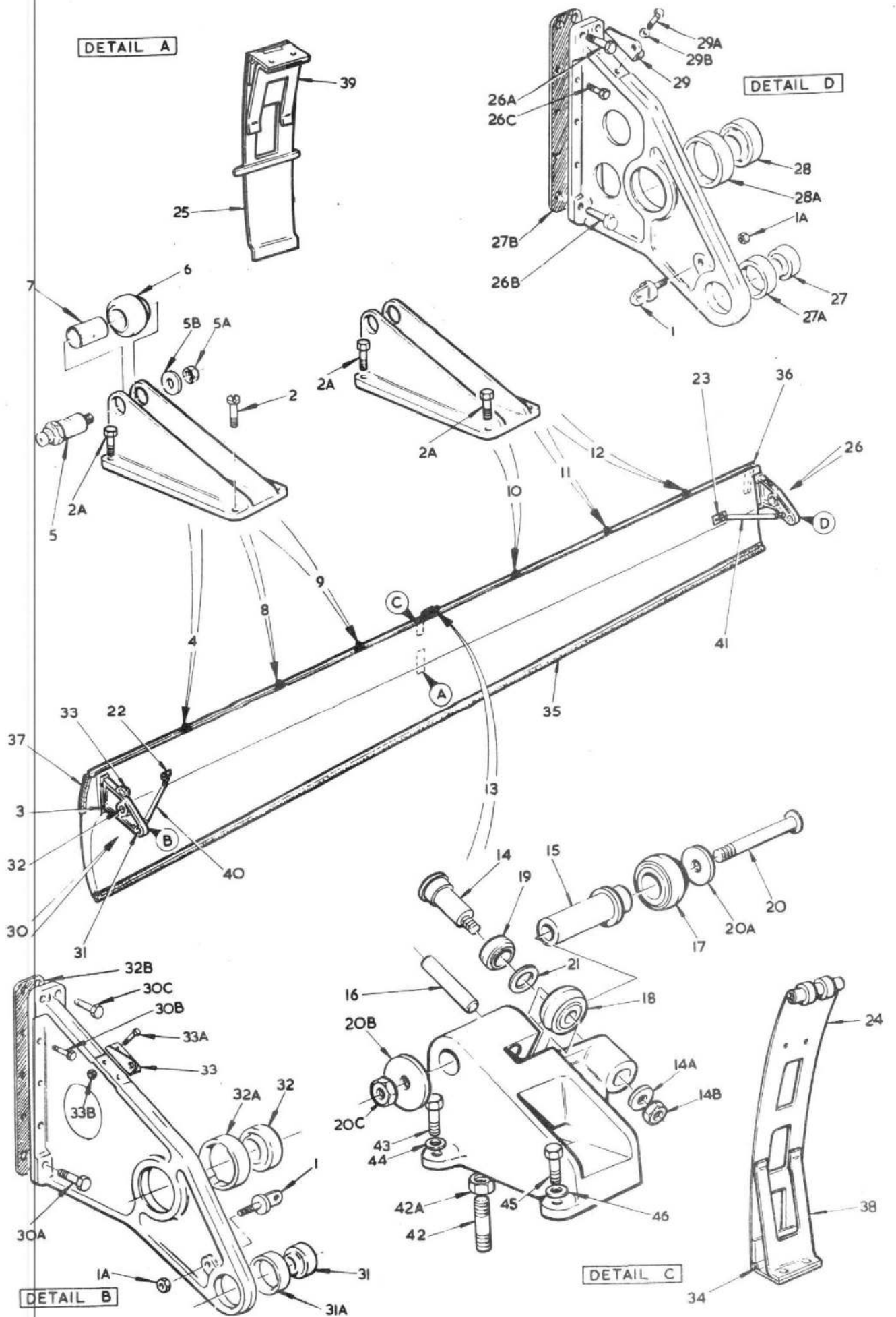


FIG.5 CENTRE FUSELAGE

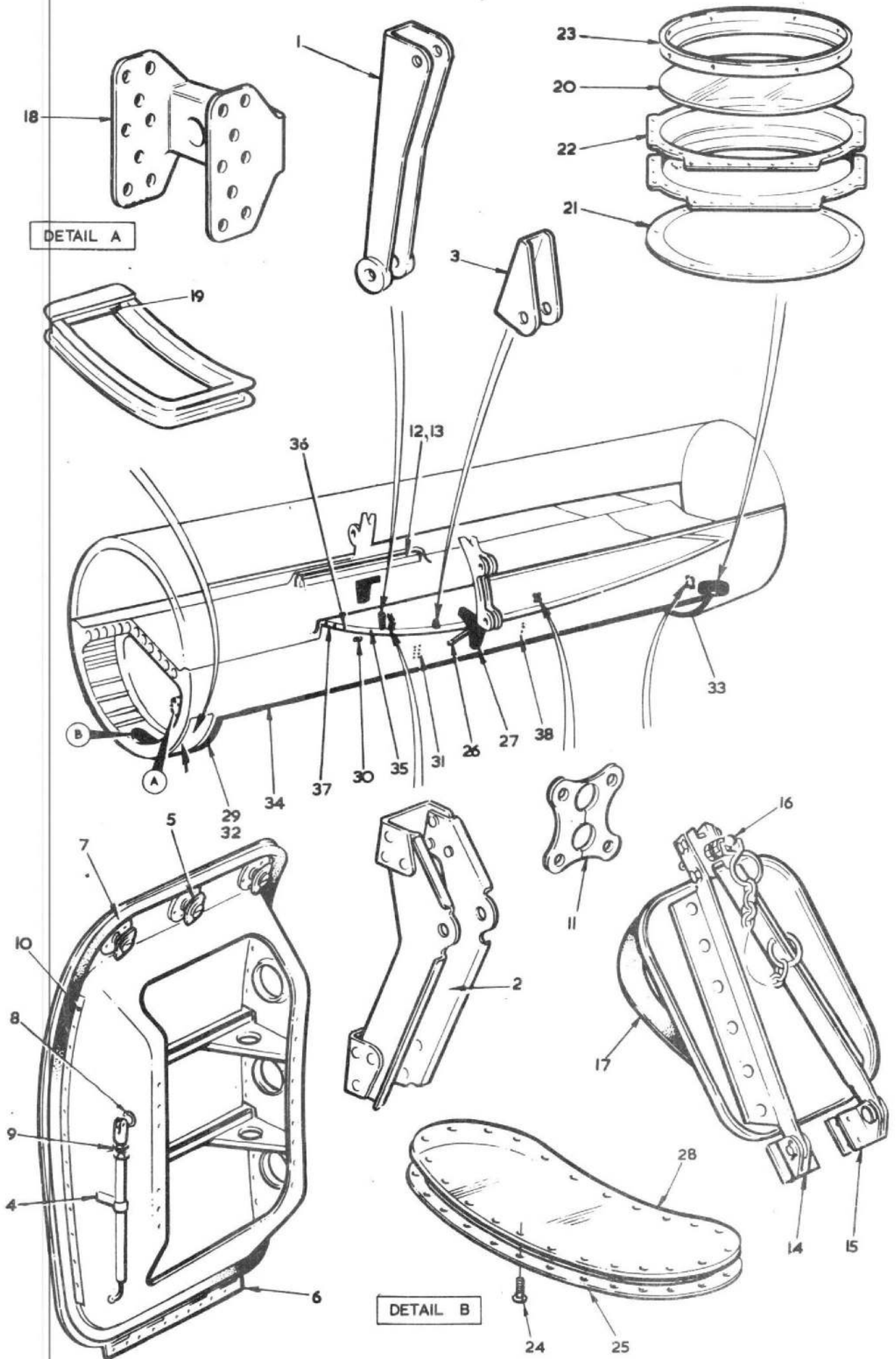


FIG.6 CENTRE FUSELAGE STRUCTURE

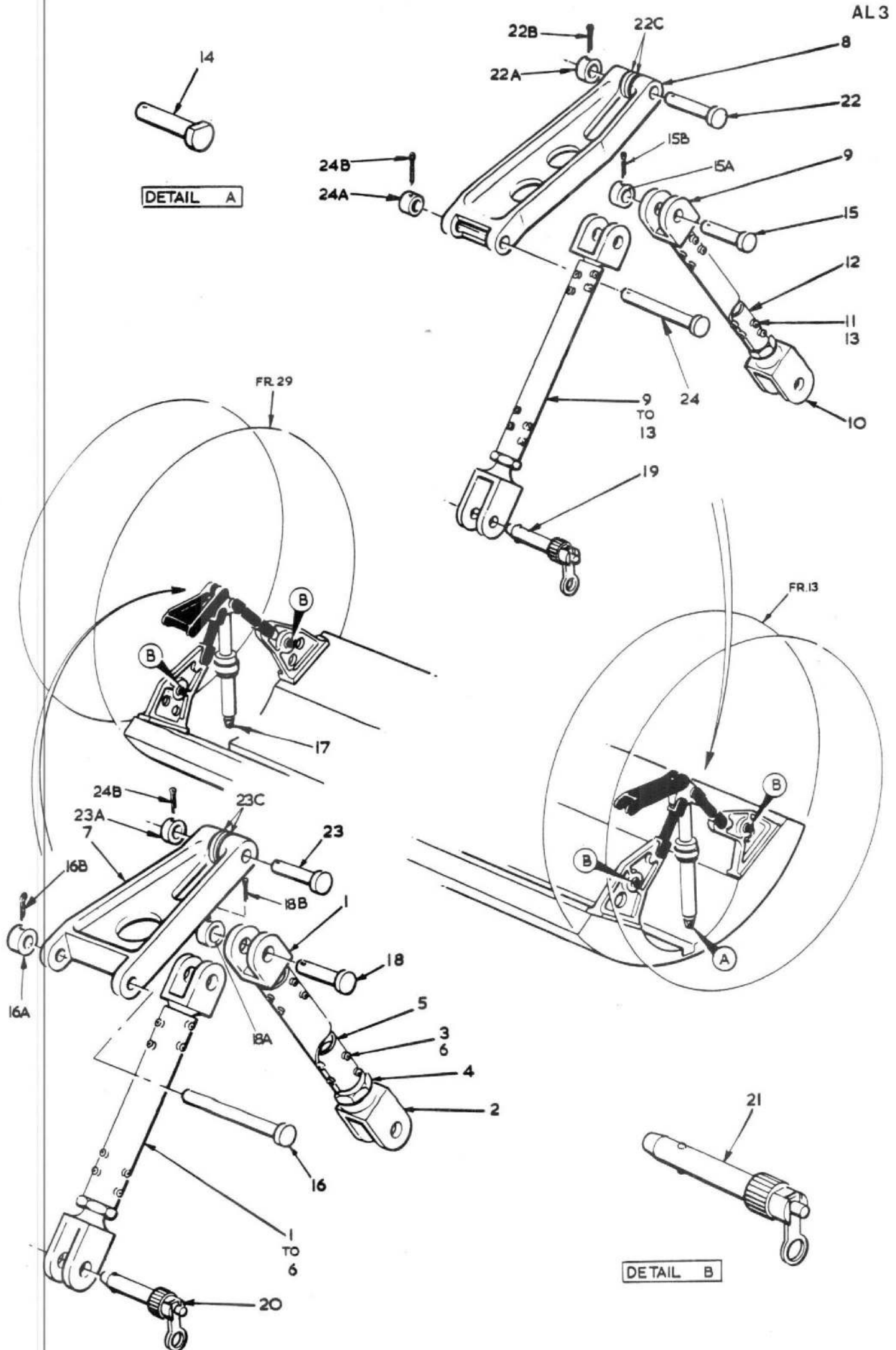


FIG.7 CENTRE FUSELAGE STRUCTURE

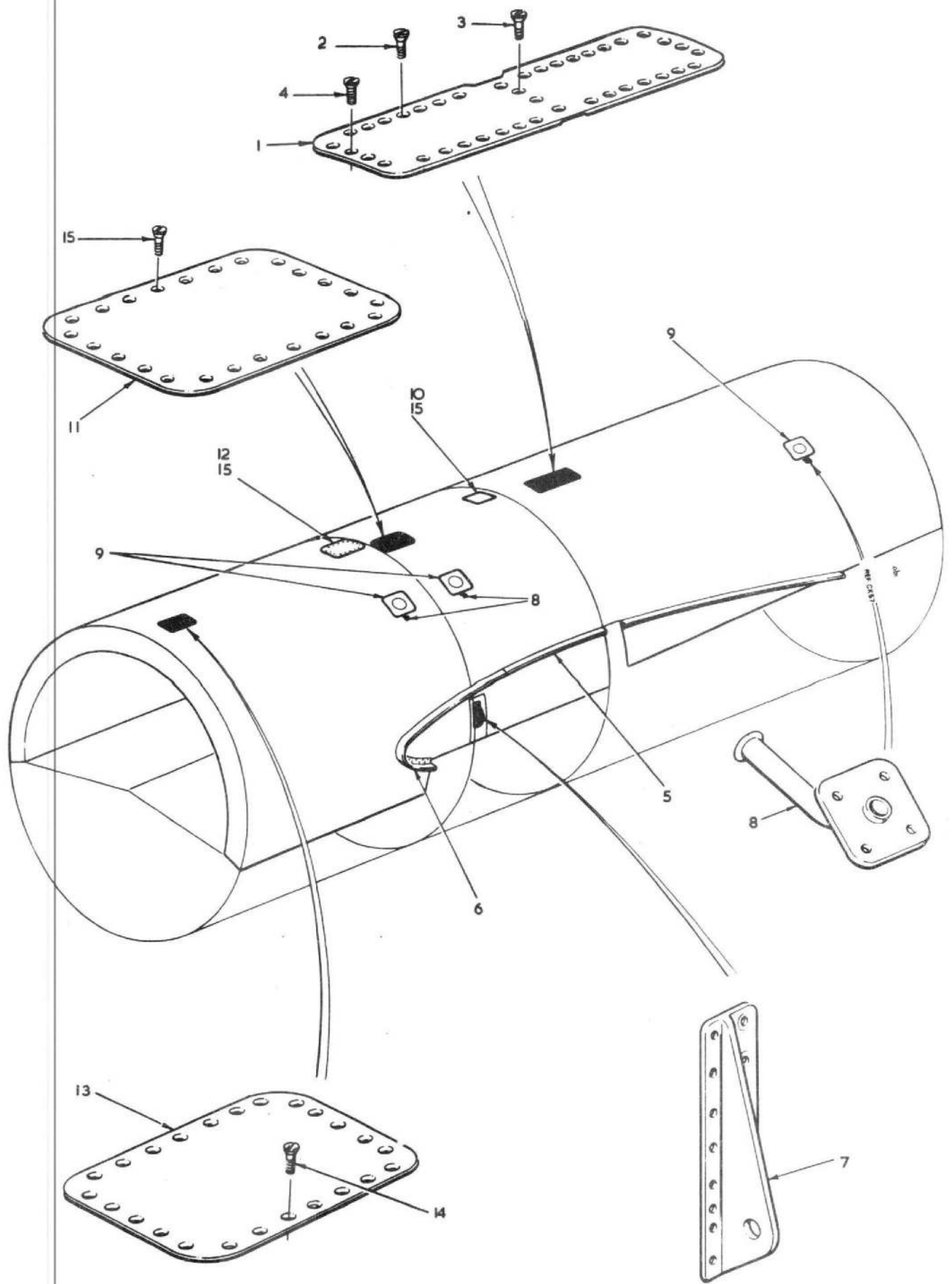


FIG.8 CENTRE FUSELAGE STRUCTURE

This file was downloaded  
from the RTFM Library.

Link: [www.scottbouch.com/rtfm](http://www.scottbouch.com/rtfm)

Please see site for usage terms,  
and more aircraft documents.

