

MAINPLANE

MAINPLANE AND FLAPS

Part Number	Description	No. Off	Matl. Spec.	Plate No.
R EA3.00.157	WING PORT, ASSEMBLY (Spares for EA3.00.11) (Pre-Mod 5344)	1	—	
R EA3.00.5711	WING PORT, ASSEMBLY (Spares condition based on EA3.00.11 to LTF standard) (Mod 5344)	1	—	LA1/1
R EA3.00.158	WING STARBOARD, ASSEMBLY (Spares for EA3.00.12) (Pre-Mod 5344)	1	—	
R EA3.00.5712	WING STARBOARD, ASSEMBLY (Spares condition based on EA3.00.12 to LTF standard) (Mod 5344)	1	—	LA1/2
EA3.40.179	. ADAPTOR, lubricating nipple for side stay pivot bolt	1	S95	LA1/3
EA3.00.5391	. AILERON, port, spare assembly (EA3-24-1) (Embodying Mod 5043) (Pre Alt. R60/74) See page LB.1	1	—	
EA3.00.5423	. AILERON, port, spare assembly (EA3-24-217) (Embodying Mod 5043) (Alt. R60/74) See page LB.1	1	—	
EA3.00.5392	. AILERON, starboard, spare assembly (EA3-24-2) (Embodying Mod 5043) (Pre Alt. R60/74) See page LB.1	1	—	
EA3.00.5424	. AILERON, starboard, spare assembly, (EA3-24-218) (Embodying Mod 5043) (Alt R60/74) See page LB.1	1	—	
EA3.20.2479	. BOLT, aileron, hinge bracket	4	S95	LA1/4
EA1.40.243	. BOLT, U/C hinge, side stay link	1	S95 or S81	LA1/5
EA1.20.1107	. BOLT, main U/C	1	S65	LA1/6
EA3.40.177	. BOLT, U/C, side stay pivot	1	S65 or S81	LA1/7
AGS899/8	. COLLAR, air brake jack pins	2	—	LA3/1
EA1.25.3	. FLAP INNER WING, PORT ASSEMBLY (PRE-MOD 1769)	1	—	
EA9.25.3	. FLAP INNER WING, PORT ASSEMBLY (MOD 1769)	1	—	LA3/2
EA1.25.4	. FLAP INNER WING, STARBOARD, ASSEMBLY (PRE-MOD 1769)	1	—	
EA9.25.4	. FLAP INNER WING, STARBOARD, ASSEMBLY (MOD 1769) (Leading edge to be chamfered on assembly) Spares for:—	1	—	LA3/3
EA1.25.63	. . BOLT, flap link operating control attachment	2	S96	LA3/6
R A27JS	. . NUT, 3/8" BSF	1	—	LA3/8
R SP90C8	. . PIN, split	1	—	LA3/8A
EA1.25.53	. . RIB, trailing edge, end	1	—	
EA1.25.54	. . RIB, trailing edge, end	1	—	
EA1.25.67	. . WASHER, bevel, flap link attachment bolt	4	L64	LA3/10
R EEAS28.37EU	. . WASHER, special, 3/8" (non datum bracket)	2	—	LA3/11A
R EEAS28/37/FU	. . WASHER (datum bracket)	2	—	LA3/11C
R EA1.25.265	Attaching parts for EA9.25.3 and EA9.25.4:— . Bolt, special	2	S15	LA3/7
R A27JS	. Nut, 3/8" BSF	2	—	LA3/8B
R SP90C8	. Pin, split	2	—	LA3/8C
R EA1.25.43	. Washer, spherical (datum bracket)	2	S96	LA3/9
R SP122J	. Washer, 3/8"	2	—	LA3/11
R EA1.25.265	Attaching parts for EA1.25.3 and EA1.25.4:— . Bolt, special	2	S15	LA3/7
R A27JS	. Nut, 3/8" BSF	2	—	LA3/8B
R SP90C8	. Pin, split	2	—	LA3/8C
R EA1.25.43	. Washer, spherical (datum bracket)	2	S96	LA3/9
R EEAS28/37/FU	. Washer	2	—	LA3/11B

MAINPLANE

MAINPLANE AND FLAPS

Part Number	Description	No. Off	Matl. Spec.	Plate No.
EA1.25.1	. FLAP OUTER WING, PORT, ASSEMBLY (PRE-MOD 1769)	1	—	
EA9.25.1	. FLAP OUTER WING, PORT, ASSEMBLY (MOD 1769)	1	—	LA3/4
EA1.25.2	. FLAP OUTER WING, STARBOARD, ASSEMBLY (PRE-MOD 1769)	1	—	
EA9.25.2	. FLAP OUTER WING, STARBOARD, ASSEMBLY (MOD 1769) (Leading edge to be chamfered on assembly) Spares for:—	1	—	LA3/5
EA9.25.25	. . BLOCK, end port (Mod 1769)	1	—	
EA9.25.26	. . BLOCK, end, starboard (Mod 1769)	1	—	
EA9.25.27	. . BLOCK, end port (Mod 1769)	1	—	
EA9.25.28	. . BLOCK, end starboard (Mod 1769)	1	—	
EA1.25.63	. . BOLT, flap link operating control attachment	2	S96	LA3/6
A27JS	. . NUT, 3/8" BSF	1	—	LA3/8
SP90/C8	. . PIN, split	1	—	LA3/8A
EA1.25.11	. . RIB, No. 1 trailing edge, port	1	—	
EA1.25.12	. . RIB, No. 1 trailing edge, starboard	1	—	
EA1.25.67	. . WASHER, bevel, flap link attachment bolt	4	L64	LA3/10
EEAS28.37EU	. . WASHER, special, 3/8"	2	—	LA3/11A
	Attaching parts for EA9.25.1 and EA9.25.2:—			
EA1.25.265	. Bolt, special	2	S15	LA3/7
A27JS	. Nut, 3/8" BSF	2	—	LA3/8B
SP90C8	. Pin, split	2	—	LA3/8C
EA1.25.43	. Washer, spherical (datum bracket)	2	S96	LA3/9
SP122J	. Washer	2	—	LA3/11
	Attaching parts for EA1.25.1 and EA1.25.2:—			
EA1.25.73	. Bolt, special	2	—	LA3/7
A27JS	. Nut, 3/8" BSF	2	—	LA3/8B
SP90/C8	. Pin, split	2	—	LA3/8C
EA1.25.43	. Washer, spherical (datum bracket)	2	S96	LA3/9
EEAS28/37/FU	. Washer	2	—	LA3/11B
EA1.50.69	. LINK, COWL DOOR ASSEMBLY: Spares for:—	1	—	LA1/8
EA1.50.75	. . BEARING, spherical	2	L40	LA1/9
EA1.50.77	. . FITTING, plug end	2	L40	LA1/10
	Attaching parts for EA1.50.77:—			
SP65L8	. . Pin, taper	2	—	LA1/11
EA1.50.71	. . HOUSING, bearing	2	S1	LA1/12
EA1.50.69A	. . LINK, tube 1/2" o/d x 17 SWG	1	T45	LA1/13
SP21	. NIPPLE, lubricating, side stay pivot	1	—	LA1/14
EA1.40.287	. NUT, castle, side stay link bolt	2	S11	LA1/15
EA1.20.1287	. NUT, main u/c pivot bolt	1	S11	LA1/16
EA3.20.311	. PANEL, access, aileron control joint bottom skin (Pre Alt. R60/25)	1	—	LA2/1
EA3.20.4621	. PANEL, access (Alt. R60/25)	1	—	
EA3.20.1819	. PANEL, access (Alt. R60/25)	1	—	
EA3.20.347	. PANEL, access, air brake operating jack, bottom skin	1	—	LA2/2
EA3.20.353	. PANEL, access, rear wing attachment pin	1	DTD546	LA2/3
EA3.20.377	. PANEL, access, front wing attachment pin, top skin, port	1	DTD546	LA2/4
EA3.20.378	. PANEL, access, front wing attachment pin, top skin, starboard	1	DTD546	LA2/5
EA3.20.685	. PANEL, access, aileron control rod bottom skin (Pre Alt. R60/25)	1	—	LA2/6
EA3.20.687	. PANEL, access, front wing attachment pin, bottom skin, port	1	L73	LA2/7
EA3.20.688	. PANEL, access, front wing attachment pin, bottom skin, starboard	1	—	LA2/8
EA1.20.1045	. PANEL, access, electrical equipment bottom skin, port	1	—	LA2/9
EA1.20.1046	. PANEL, access, electrical equipment bottom skin, starboard	1	—	LA2/10
EA1.20.1099	. PANEL, access, aileron control rod joint, bottom skin	2	L73	LA2/11
EA1.20.1693	. PANEL, access, forward, fixing bolts of connecting ring to false spar and rib	2	L73	LA2/12

MAINPLANE

MAINPLANE AND FLAPS

Part Number	Description	No. Off	Matl. Spec.	Plate No.
R EA1.20.2289	. PANEL, access, aileron control intermediate joint bottom skin Attaching parts for EA3.20.311, EA3.20.347, EA3.20.353, EA3.20.377, EA3.20.378, EA3.20.685, EA3.20.687, EA3.20.688, EA1.20.1045, EA1.20.1046, EA1.20.1099, EA1.20.1693 and EA1.20.2289:—	1	—	LA2/13
R EEAS1/1 ¹ / ₂ C	. Screw, csk. head, 2BA	QR	S96	LA2/14
R EEAS1/2C	. Screw, csk. head, 2BA	QR	S96	LA2/15
R EEAS1/2E	. Screw, csk. head, 1/4" BSF	QR	S96	LA2/16
R EEAS1/2 ¹ / ₂ E	. Screw, csk. head, 1/4" BSF	QR	S96	LA2/17
R EEAS1/5E	. Screw, csk. head, 1/4" BSF	QR	S96	LA2/18
SP4Y/H12	. PIN, air brake jack hinge	1	—	LA3/12
SP4Y/H17	. PIN, air brake jack hinge	1	—	LA3/13
SP90E6	. PIN, split, airbrake jack hinge	2	—	LA3/1A
EA3.20.1813 or SP90L24	. PIN, split, u/c pivot bolt	1	DTD268	LA1/17
EA9.20.1137	. PIN, split, u/c pivot bolt	1	—	—
EA1.24.901	. PLATE, locking, u/c pivot bolt	1	DTD124A	LA1/18
EA3.20.1129	. SHIM, aileron centre hinge	1	—	LA1/19
EA3.20.1130	. STOP, block, for side stay pivot bolt, port	1	DTD683	LA1/20
	. STOP, block, for side stay pivot bolt, starboard	1	DTD683	LA1/21
	Attaching parts for EA3.20.1129 and EA3.20.1130:—			
AS1242/3C	. Bolt, csk. 2BA	2	—	LA1/21A
EA1.50.859	. SUPPORT, COWL HOOP TO WING, PORT ASSEMBLY	—	—	LA1/22
EA1.50.860	. SUPPORT, COWL HOOP TO WING, STARBOARD ASSEMBLY	—	—	LA1/23
	Spares for:—			
EA3.00.235	. . SUPPORT, hoop engine cowl, port (Ref. drg. EA1.50.913)	1	—	LA1/24
EA3.00.236	. . SUPPORT, hoop engine cowl, starboard (Ref. drg. EA1.50.914)	1	—	LA1/25
EA1.50.949	. . SUPPORT, hoop engine cowl, port	1	—	LA1/26
EA1.50.950	. . SUPPORT, hoop engine cowl, starboard	1	—	LA1/27
	Attaching parts for EA3.00.235, EA3.00.236, EA1.50.949 and EA1.50.950:—			
EA1.50.363	. . Bolt, special	4	HTS	LA1/28
SP13J	. . Washer	4	—	LA1/29
EA3.00.5174	. TIP, WING, PORT, ASSEMBLY (See page LD.1)	—	—	—
EA3.00.5175	. TIP, WING, STARBOARD, ASSEMBLY (See page LD.1)	—	—	—
EA9.20.1143	. WASHER, main u/c pivot bolt	1	L45	LA1/30
EA3.20.1	. WING STRUCTURE PORT, ASSEMBLY (See page LE.1)	—	—	—
EA3.20.2	. WING STRUCTURE STARBOARD, ASSEMBLY (See page LE.1)	—	—	—

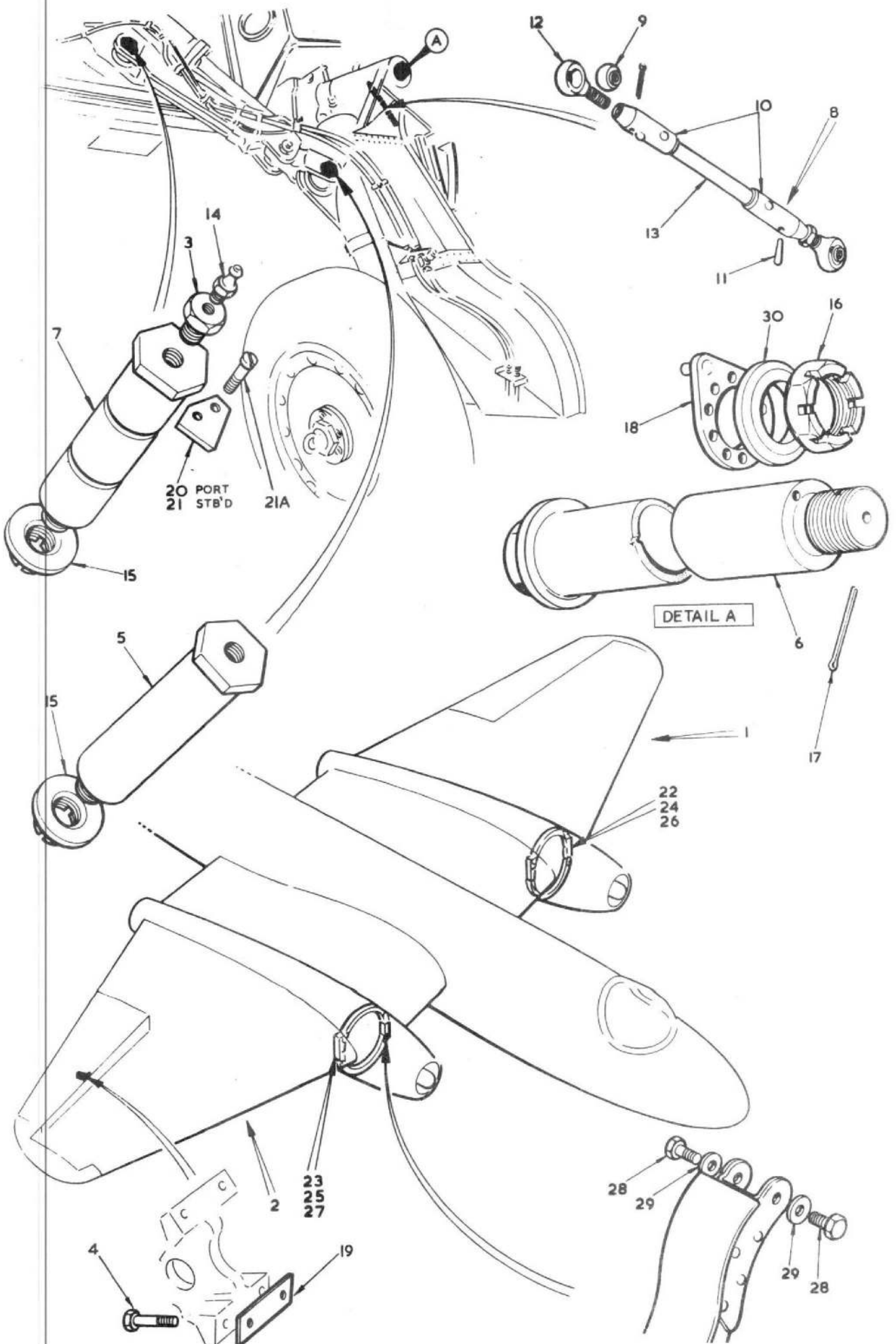


FIG.1 MAINPLANE AND FLAPS

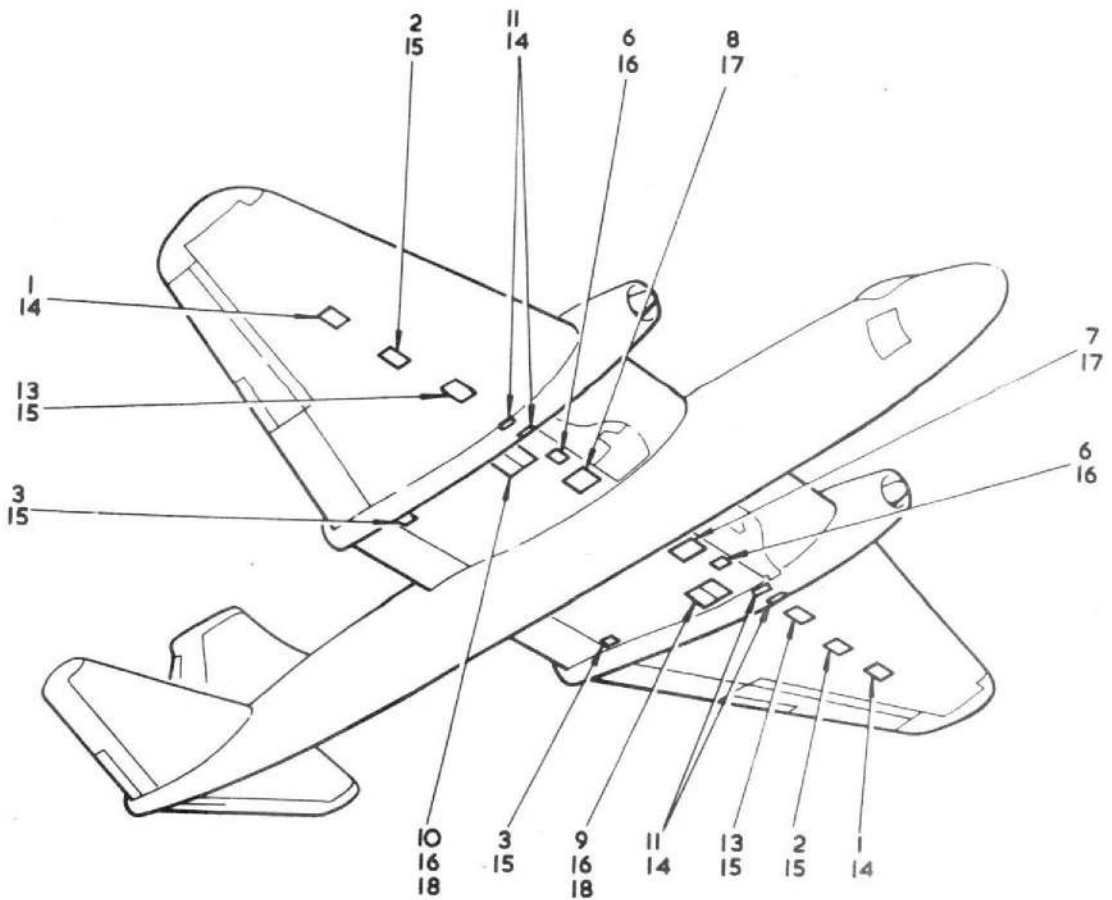
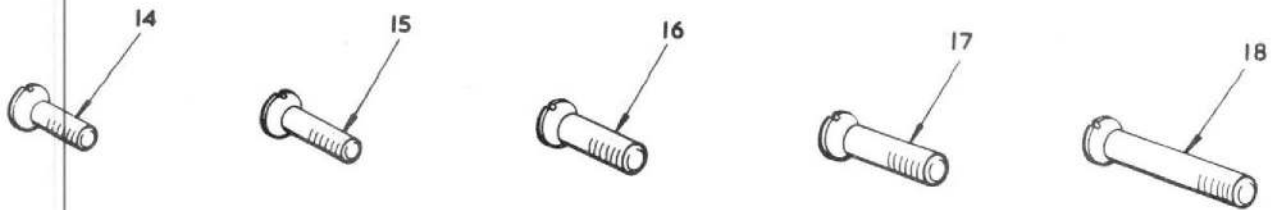
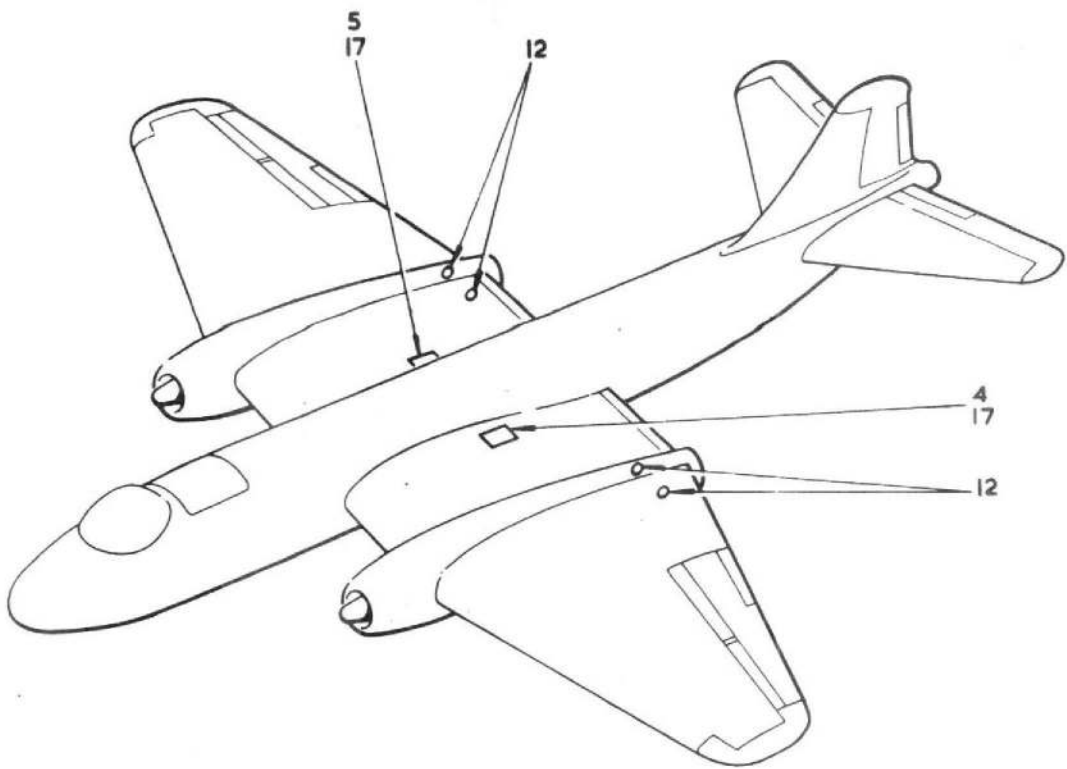


FIG2 MAINPLANE AND FLAPS

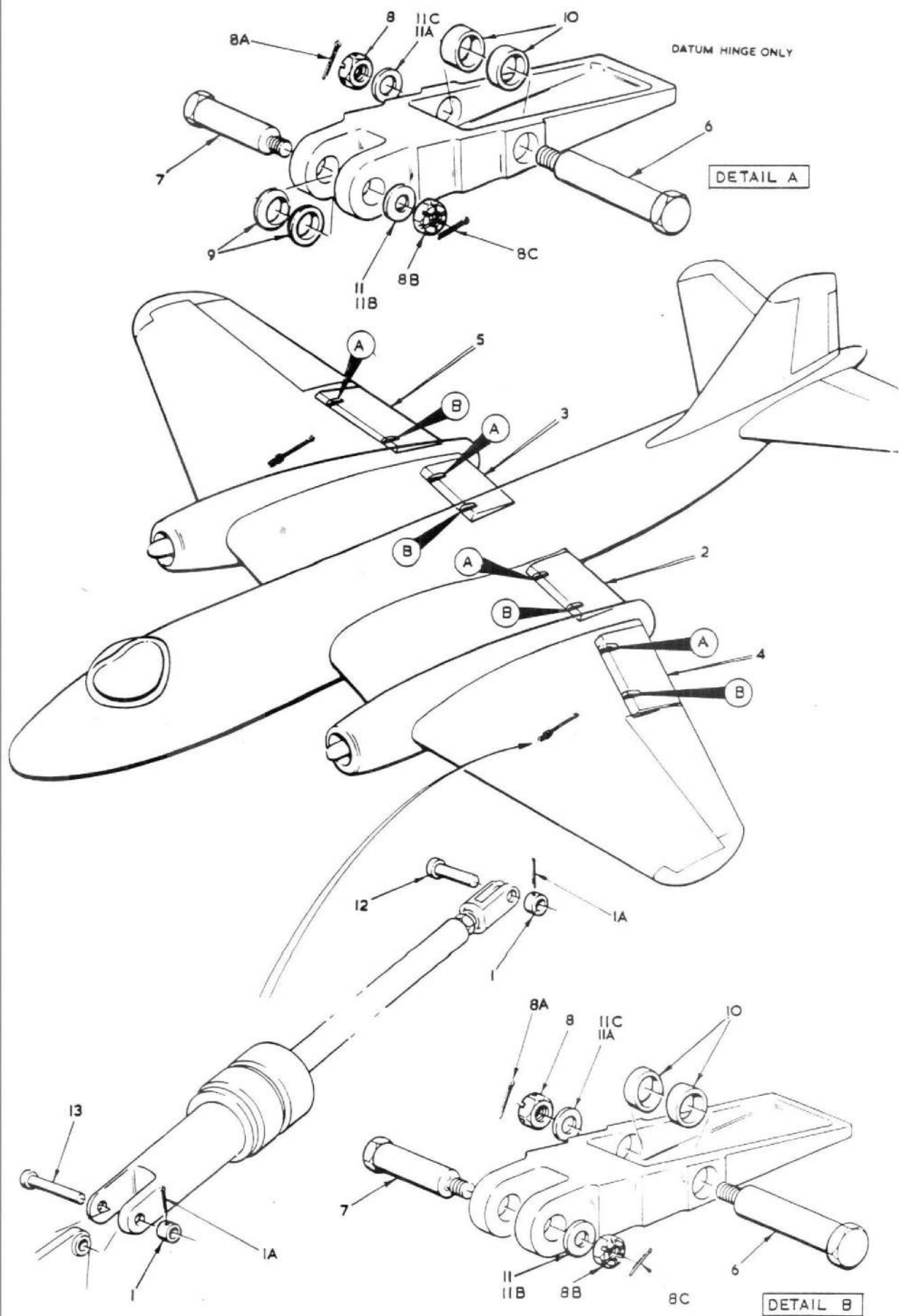


FIG 3 MAINPLANE AND FLAPS

CODE RS

SECT. LA

This file was downloaded from the RTFM Library.

Link: www.scottbouch.com/rtfm

Please see site for usage terms, and more aircraft documents.



Instrument panel from a MiG-21 (XP558)