

MAINPLANE

AILERON

Ref. No.	Part No.	Description	No. Off	Mati. Spec.	Cl. of Equip M.R. L.M.	Plate No.
R 6376	EA3-24-1	AILERON, PORT, ASSEMBLY (MOD 875) (Pre Alt R60/74)	1	-	A	LB1/1
R	EA3-00-5423	AILERON, PORT, ASSEMBLY (Alt R60/74) (EA3-24-217)	1	-	-	
R 6375	EA3-24-2	AILERON, STARBOARD, ASSEMBLY (MOD 875) (Pre Alt R60/74)	1	-	A	LB1/45
R	EA3-00-5424	AILERON, STARBOARD ASSEMBLY (Alt R60/74) (EA3-24-218)	1	-	-	
R	EA3-24-5	. AILERON, REAR PORTION, PORT, ASSEMBLY (MOD 875) (Pre Alt R60/74)	1	-	-	LB1/2
R	EA3-24-221	. AILERON, REAR PORTION, PORT ASSEMBLY (Alt R60/74)	1	-	-	
R	EA3-24-6	. AILERON, REAR PORTION, STARBOARD, ASSEMBLY (MOD 875) (Pre Alt R60/74)	1	-	A	LB1/46
R	EA3-24-222	. AILERON, REAR PORTION, STARBOARD ASSEMBLY (Alt R60/74) Spares for:-	1	-	-	
447	EA1-24-259	. . CLIP, tab, push rod fairing, 30 SWG	1	Spring Steel	C	LB1/3
449	EA1-24-247	. . HOUSING, bearing, tab hinge inboard Attaching parts for EA1-24-247:-	1	L40	C	LB1/9
28M9403520	A27CP	. . Nut, 2 BA	4	-	C	LB1/10
1468	EEAS1-2C	. . Screw, 2 BA	4	S96	C	LB1/11
28W9419475	SP15C	. . Washer	4	-	C	LB1/12
448	EA1-24-199	. . HOUSING, bearing, tab hinge, outboard Attaching parts for EA1-24-199:-	1	L64	C	LB1/4
28D9133011	A25-2C	. . Bolt, 2 BA	3	-	C	LB1/5
28M9403520	A27CP	. . Nut, 2 BA	3	-	C	LB1/6
28W9419475	SP15C	. . Washer	3	-	C	LB1/7
28W9419404	SP16C	. . Washer	3	-	C	LB1/8
450	EA1-24-261	. . HOUSING, c/w bearing, tab hinge centre, port	1	-	B	LB1/13
451	EA1-24-262	. . HOUSING, c/w bearing, tab hinge centre, starboard Attaching parts for EA1-24-261 and EA1-24-262:-	1	-	B	LB1/47
28D9133012	A25-3C	. . Bolt, 2 BA	2	-	C	LB1/14
28D9709461	AS1242-3C	. . Bolt, csk. head, 2 BA	1	-	C	LB1/15
28M9403520	A27CP	. . Nut, 2 BA	3	-	C	LB1/16
28W9419404	SP16C	. . Washer	3	-	C	LB1/17
6807	EA1-24-915	. . TAB, fixed, port	1	-	C	LB1/18
6808	EA1-24-916	. . TAB, fixed, starboard	1	-	C	LB1/48
	EA3-24-177	. ATTACHMENT OF BEARING AT OUTBOARD HINGE, RIB 20 Consisting of:-	-	-	-	LB1/19
	SKEFCO					
2A9500467	CBA3	. . BEARING, ballrace	1	-	B	LB1/20
28N1033955	AGS2030-45	. . CIRCLIP, 1 7/16" i/d	1	-	C	LB1/21
	EA3-24-183	. ATTACHMENT OF TOP AND BOTTOM NOSE SKIN TO AILERON SPAR, PORT	-	-	-	LB1/22
	EA3-24-184	. ATTACHMENT OF TOP AND BOTTOM NOSE SKIN TO AILERON SPAR, STARBOARD Spares for:-	-	-	-	LB1/49
3020	EA1-24-405	. . COVER, inspection, tab gear, 20 SWG Attaching parts for EA1-24-405:-	1	L72	C	LB1/23
20649	EA3-24-191	. . Bolt, 2 BA	6	S95	C	LB1/24
478	EA1-24-271	. . STOP, rubber, aileron control	2	Shore 55	C	LB1/25

MAINPLANE

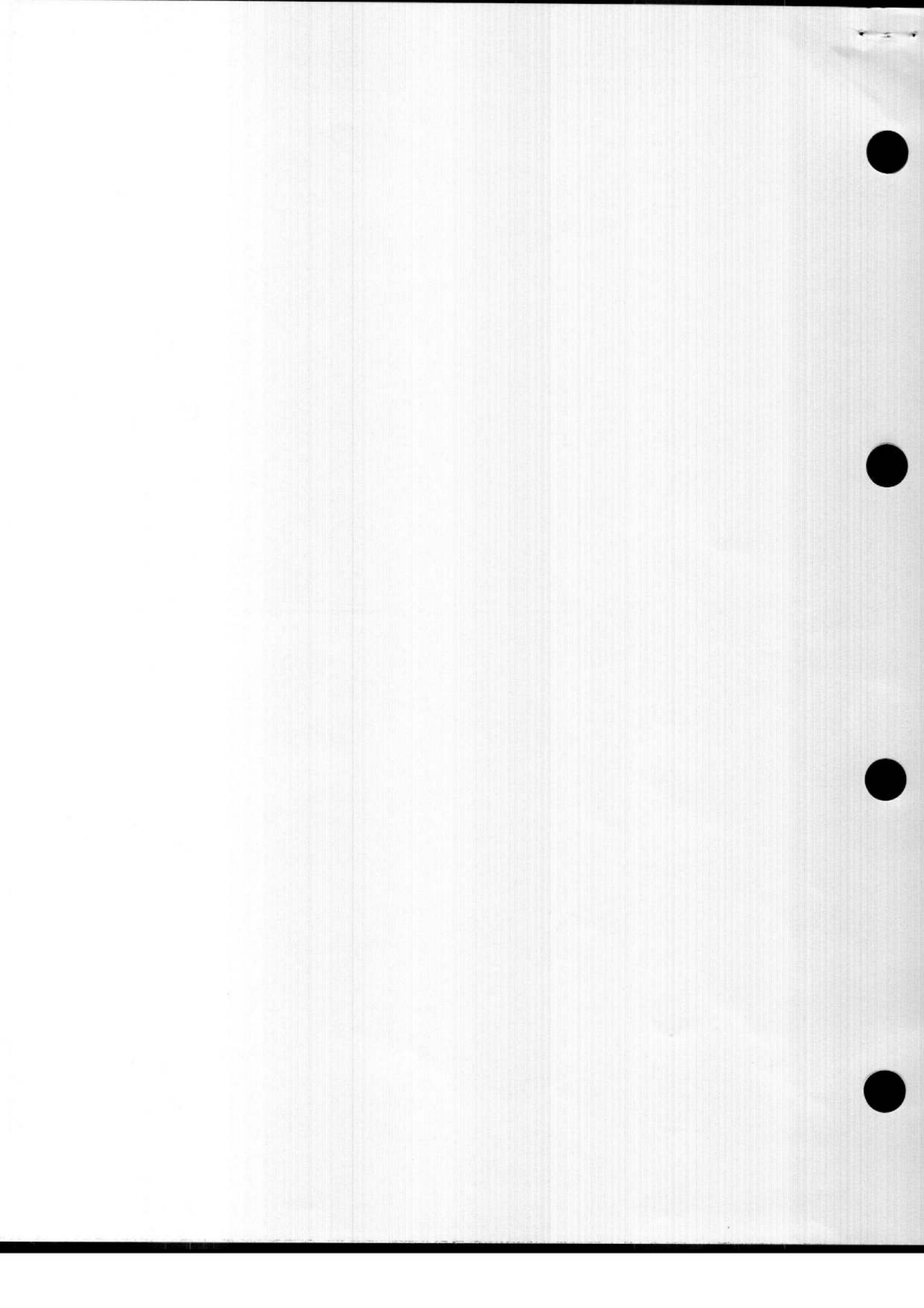
AILERON

Ref. No.	Part No.	Description	No. Off	Mtrl. Spec.	Cl. of Equip M.R. L.M.	Plate No.
3021	EA1-24-269	. FAIRING, aileron tab, push rod, 18 SWG, port	1	L59	C	LB1/26
3022	EA1-24-270	. FAIRING, aileron tab, push rod, 18 SWG, starboard	1	L59	C	LB1/50
	EA3-24-175	. HINGE, AILERON TAB, PORT, INSTALLATION (MOD 875)	-	-	-	LB1/27
	EA3-24-176	. HINGE, AILERON TAB, STARBOARD, INSTALLATION (MOD 875)	-	-	-	LB1/51
		Consisting of:-				
2A9500462	SKEFKO CBAO	. . BEARING, ballrace	2	-	B	LB1/28
28N1007475	AGS2030-15	. . CIRCLIP	2	-	C	LB1/31
3023	EA1-24-923	. . TAB, AILERON, PORT, ASSEMBLY	1	-	A	LB1/34
3024	EA1-24-924	. . TAB, AILERON, STARBOARD, ASSEMBLY	1	-	A	LB1/52
		Spares for:-				
481	EA1-24-251	. . . LUG, half, centre hinge	1	DTD683	C	LB1/35
482	EA1-24-252	. . . LUG, half, centre hinge	1	DTD683	C	LB1/39
		Attaching parts for EA1-24-251 and EA1-24-252:-				
28D9436920	A25-1C	. . . Bolt, 2 BA	2	-	C	LB1/40
28D1007975	AS1242-1C	. . . Bolt, csk. head, 2 BA	1	-	C	LB1/41
	EA1-24-956	. . . Shim (If required, max. thick 0.022")	QR	Lam. Alum	-	LB1/42
4153	EA1-24-227	. . . SOCKET, hinge, inboard and outboard	2	L40	C	LB1/43
483	EA1-24-229	. . . SPINDLE, hinge, outboard	1	S11	C	LB1/44
		Attaching parts for EA1-24-923 and EA1-24-924:-				
456	EA1-24-231	. . Bolt, hinge, inboard	1	S11	C	LB1/29
457	EA1-24-263	. . Bolt, hinge, centre	1	S11	C	LB1/30
28M1006473	A27CT	. . Nut, thin, 2 BA	1	-	C	LB1/32
471	EA1-24-375	. ROD, TAB, CONTROL, OPERATING GEAR, PORT, ASSEMBLY (PRE-MOD 1707)	1	-	A	
21477	EA3-24-207	. ROD, TAB, CONTROL, OPERATING GEAR, PORT, ASSEMBLY (MOD 1707)	1	-	A	
472	EA1-24-376	. ROD, TAB, CONTROL, OPERATING GEAR, STARBOARD, ASSEMBLY (PRE-MOD 1707)	1	-	A	
21478	EA3-24-208	. ROD, TAB, CONTROL, OPERATING GEAR STARBOARD, ASSEMBLY (MOD 1707)	1	-	A	
		Spares for:-				
1977	EA1-24-353	. . LEVER, port, assembly	1	-	C	LB2/16
3636	EA1-24-354	. . LEVER, starboard, assembly	1	-	C	LB2/17
		Spares for:-				
	EA1-24-953	. . . LEVER, arm, assembly	1	-	-	LB2/40
		Spares for:-				
	EA1-24-355	. . . . ARM, lever	1	-	-	LB2/41
	CBA2	. . . . BEARING, ball	1	-	-	LB2/42
	EEAS3D	. . . . HOUSING, ball race	1	-	-	LB2/43
	EEAS4-20C	. . . . WASHER, packing	2	-	-	LB2/44
		Attaching parts for EA1-24-953:-				
	EA1-24-359	. . . Bolt, special	4	-	-	LB2/38
28M9433473	AGS2002C1	. . . Nut, stiff, 2 BA	4	-	C	LB2/39
	EA1-24-913	. . . SPOOL, port	1	-	-	LB2/36
	EA1-24-914	. . . SPOOL, starboard	1	-	-	LB2/37
		Attaching parts for EA1-24-353 and EA1-24-354:-				
	EA1-24-331	. . Bolt, special	4	-	-	LB2/17A
28M9433473	AGS2002C1	. . Nut, 2 BA	4	-	C	LB2/17B
28P1007782	SP28L12	. . Pin, taper	2	-	C	LB2/17C

MAINPLANE

AILERON

Ref. No.	Part No.	Description	No. Off	Mati. Spec.	Cl. of Equip. M.R. L.M.	Plate No.
R 10442	EA1-24-221	. . ROD, blow-back	1	-	C	LB2/19
R 10441	EA1-24-373	. . TUBE, torque, assembly (Pre-Mod 1707)	1	-	C	LB2/20
R	EA3-24-205	. . TUBE, torque, assembly (Mod 1707)	1	-	-	LB2/21
R	EA3-24-173	. TUBE, TORQUE, AND TAB OPERATING GEAR, PORT ASSEMBLY (Mod 875) (Pre Alt R60/74)	-	-	-	LB2/1
R	EA3-24-219	. TUBE, TORQUE, AND TAB OPERATING GEAR, PORT ASSEMBLY (Alt R60/74)	-	-	-	
R	EA3-24-174	. TUBE, TORQUE, AND TAB OPERATING GEAR, STARBOARD ASSEMBLY (Mod 875) (Pre Alt R60/74)	-	-	-	LB2/2
R	EA3-24-220	. TUBE, TORQUE, AND TAB OPERATING GEAR STARBOARD ASSEMBLY (Alt R60/74)	-	-	-	
	2A9500419	T17	1	-	B	LB2/3
	2A9500444	BAL5/8	1	-	B	LB2/4
R	2A9500467	CBS3	1	-	B	LB2/18
		EA1-24-195	1	L65 or DTD 683	-	LB2/5
		Attaching parts for EA1-24-195:-				
	28D1011240	A25-5E	2	-	C	LB2/6
		EA1-24-225	3	-	-	LB2/45
		AGS2001E1	3	-	-	LB2/47
		SP124E	3	-	-	LB2/48
		SP123E	2	-	-	LB2/7
		EA1-45-987	2	-	-	LB2/24
		Attaching parts for EA1-24-243:-				
R	461	EA1-24-301	1	DTD625	C	LB2/8
R	44278	EA3-24-215	1	BS2874	C	
	28N2001716	AGS2030-26	1	-	C	LB2/9
	28N4043821	AGS2031-22	1	-	C	LB2/10
R		AGS2030-22	1	-	-	LB2/46
	470	EA1-24-243	1	L40	C	LB2/11
		Attaching parts for EA1-24-243:-				
	28D9140645	A25-10C	1	-	C	LB2/12
	28M5808573	A27CS	1	-	C	LB2/13
R		SP90C5	1	-	-	LB2/14
	484	EA1-24-245	2	L40	C	LB2/15
R	2625	EA1-24-917	1	-	-	LB2/25
R	6119087	EK5-24-601	1	-	-	
		Spares for:-				
	2627	EA1-24-899	1	S95	C	LB2/26
	28R13509	CM2B	1	-	B	LB2/27
	2626	EA1-24-919	1	-	B	LB2/28
		SOCKET, c/w bearing No.402259B Ref 452 (Pre Alt R60/14)				
R	6119088	EK5-24-603	1	-	B	
		Attaching parts for EA1-24-917 and EK5-24-601:-				
	457	EA1-24-263	1	S65	C	LB2/29
	459	EA1-24-267	1	S65	C	LB2/30
	28M5808573	A27CS	2	-	C	LB2/31
	28P9527619	SP90C7	2	-	C	LB2/32
	10443	EA1-24-391	2	-	C	LB2/33
	28W9419475	SP15C	1	-	C	LB2/34



## MAINPLANE

## AILERON

Part Number	Description	No. Off	Matl. Spec.	Plate No.					
				1	2	3	4	5	6
R EA3.00.5483	AILERON, PORT, ASSEMBLY (Spares for EA3.24.217) (Pre-Mod 5344)	1	-						
R EA3.00.5703	AILERON, PORT, ASSEMBLY (Spares for EA3.24.217) (Mod 5344)	1	-						LB1/1
R EA3.00.5484	AILERON, STARBOARD, ASSEMBLY (Spares for EA3.24.218) (Pre-Mod 5344)	1	-						
R EA3.00.5704	AILERON, STARBOARD, ASSEMBLY (Spares for EA3.24.218) (Mod 5344)	1	-						LB1/45
EA3.24.5	. . AILERON, REAR PORTION, PORT, ASSEMBLY (MOD 875) (PRE ALT. R60/74)	1	-						LB1/2
EA3.24.221	. . AILERON, REAR PORTION, PORT, ASSEMBLY (ALT. R60/74)	1	-						
EA3.24.6	. . AILERON, REAR PORTION, STARBOARD, ASSEMBLY (MOD 875) (PRE ALT R60/74)	1	-						LB1/46
EA3.24.222	. . AILERON, REAR PORTION, STARBOARD ASSEMBLY (ALT. R60/74)	1	-						
EA1.24.259	. . CLIP, tab, push rod fairing, 30 SWG Spares for:-	1	Spring Steel						LB1/3
EA1.24.247	. . HOUSING, bearing, tab hinge inboard Attaching parts for EA1.24.247:-	1	L40						LB1/9
A27CP	. . Nut, 2BA	4	-						LB1/10
EEAS1-2C	. . Screw, 2BA	4	S96						LB1/11
SP15C	. . Washer	4	-						LB1/12
EA1.24.199	. . HOUSING, bearing, tab hinge, outboard Attaching parts for EA1.24.199:-	1	L64						LB1/4
A25-2C	. . Bolt, 2BA	3	-						LB1/5
A27CP	. . Nut, 2BA	3	-						LB1/6
SP15C	. . Washer	3	-						LB1/7
SP16C	. . Washer	3	-						LB1/8
EA1.24.261	. . HOUSING, c/w bearing, tab hinge centre, port	1	-						LB1/13
EA1.24.262	. . HOUSING, c/w bearing, tab hinge centre, starboard Attaching parts for EA1.24.261 and EA1.24.262:-	1	-						LB1/47
A25-3C	. . Bolt, 2BA	2	-						LB1/14
AS1242-3C	. . Bolt, csk. head, 2BA	1	-						LB1/15
A27CP	. . Nut, 2BA	3	-						LB1/16
SP16C	. . Washer	3	-						LB1/17
EA1.24.915	. . TAB, fixed, port	1	-						LB1/18
EA1.24.916	. . TAB, fixed, starboard	1	-						LB1/48
EA3.24.177	. . ATTACHMENT OF BEARING AT OUTBOARD HINGE, RIB 20 Consisting of:-	-	-						LB1/19
SKEFCO	. . BEARING, ballrace	1	-						LB1/20
CBA3	. . CIRCLIP, 1 7/16" i/d	1	-						LB1/21
AGS2030-45	. . ATTACHMENT OF TOP AND BOTTOM NOSE SKIN TO AILERON SPAR, PORT	-	-						LB1/22
EA3.24.183	. . ATTACHMENT OF TOP AND BOTTOM NOSE SKIN TO AILERON SPAR, STARBOARD	-	-						LB1/49
EA3.24.184	. . ATTACHMENT OF TOP AND BOTTOM NOSE SKIN TO AILERON SPAR, STARBOARD Spares for:-	-	-						
EA1.24.405	. . COVER, inspection, tab gear, 20 SWG Attaching parts for EA1.24.405:-	1	L72						LB1/23
EA3.24.191	. . Bolt, 2BA	6	S95						LB1/24
EA3.24.271	. . STOP, rubber, aileron control	2	Shore 55						LB1/25

## MAINPLANE

AP101B-0402-3A

## AILERON

Part Number	Description	No. Off	Matl. Spec.	Plate No.	
					1
EA1.24.269	. FAIRING, aileron tab, push rod, 18 SWG, port	1	L59	LB1/26	
EA1.24.270	. FAIRING, aileron tab, push rod, 18 SWG, starboard	1	L59	LB1/50	
EA3.24.175	. HINGE, AILERON TAB, PORT, INSTALLATION (MOD 875)	-	-	LB1/27	
EA3.24.176	. HINGE, AILERON TAB, STARBOARD, INSTALLATION (MOD 875)	-	-	LB1/51	
	Consisting of:-				
SKEFCO CBAO	. . . BEARING, ballrace	2	-	LB1/28	
AGS2030-15	. . . CIRCLIP	2	-	LB1/31	
EA3.00.5425	. . . TAB, AILERON, PORT, ASSEMBLY (Spares for EA1.24.923) (Pre-Mod 5344)	1	-		
EA3.00.5781	. . . TAB, AILERON, PORT, ASSEMBLY (Spares for EA1.24.923) (Mod 5344)	1	-	LB1/34	
EA3.00.5426	. . . TAB, AILERON, STARBOARD, ASSEMBLY (Spares for EA1.24.924) (Pre-Mod 5344)	1	-		
EA3.00.5782	. . . TAB, AILERON, STARBOARD, ASSEMBLY (Spares for EA1.24.924) (Mod 5344)	1	-	LB1/52	
	Spares for:-				
EA1.24.251	. . . LUG, half, centre hinge	1	DTD683	LB1/35	
EA1.24.252	. . . LUG, half, centre hinge	1	DTD683	LB1/39	
	Attaching parts for EA1.24.251 and EA1.24.252:-				
A25-1C	. . . Bolt, 2BA	2	-	LB1/40	
AS124-1C	. . . Bolt, csk. head, 2BA	1	-	LB1/41	
EA1.24.956	. . . Shim (If required, max. thick 0.022")	QR	Lam. Alum	LB1/42	
EA1.24.955	. . . Shim (If required, max. thick 0.022")	QR	LAM. ALUM	LB1/38	
EA1.24.227	. . . SOCKET, hinge, inboard and outboard	2	L40	LB1/43	
EA1.24.229	. . . SPINDLE, hinge, outboard	1	S11	LB1/44	
	Attaching parts for EA1.24.923 and EA1.24.924:-				
EA1.24.231	. . . Bolt, hinge, inboard	1	S11	LB1/29	
EA1.24.263	. . . Bolt, hinge, centre	1	S11	LB1/30	
A27CS	. . . Nut, thin, 2BA	1	-	LB1/32	
SP90C5	. . . Pin, split 1-16"	1	-	LB1/32A	
EA1.24.375	. ROD, TAB, CONTROL, OPERATING GEAR, PORT, ASSEMBLY (PRE-MOD 1707)	1	-		
EA3.24.207	. ROD, TAB, CONTROL, OPERATING GEAR, PORT, ASSEMBLY (MOD 1707)	1	-		
EA1.24.376	. ROD, TAB, CONTROL, OPERATING GEAR, STARBOARD, ASSEMBLY (PRE-MOD 1707)	1	-		
EA3.24.208	. ROD, TAB, CONTROL, OPERATING GEAR, STARBOARD, ASSEMBLY (MOD 1707)	1	-		
	Spares for:-				
EA1.24.353	. . . LEVER, port, assembly	1	-	LB2/16	
EA1.24.354	. . . LEVER, starboard, assembly	1	-	LB2/17	
	Spares for:-				
EA1.24.953	. . . LEVER, arm, assembly	1	-	LB2/40	
	Spares for:-				
EA1.24.355	. . . ARM, lever	1	-	LB2/41	
CBA2	. . . BEARING, ball	1	-	LB2/42	
EEAS3D	. . . HOUSING, ballrace	1	-	LB2/43	
EEAS4-20C	. . . WASHER, packing	2	-	LB2/44	
	Attaching parts for EA1.24.953:-				
EA1.24.359	. . . Bolt, special	4	-	LB2/38	
AGS2002C1	. . . Nut, stiff, 2BA	4	-	LB2/39	
EA1.24.913	. . . SPOOL, port	1	-	LB2/36	
EA1.24.914	. . . SPOOL, starboard	1	-	LB2/37	
	Attaching parts for EA1.24.353 and EA1.24.354:-				
EA1.24.331	. . . Bolt, special	4	-	LB2/17A	
AGS2002C1	. . . Nut, 2BA	4	-	LB2/17B	
SP28L12	. . . Pin, taper	2	-	LB2/17C	

## AILERON

Part Number	Description	No. Off	Matl. Spec.	Plate No.					
				1	2	3	4	5	6
EA1.24.221	. . . ROD, blow-back	1	—						LB2/19
EA1.24.273	. . . TUBE, torque, assembly (Pre Mod.1707)	1	—						LB2/20
EA3.24.205	. . . TUBE, torque, assembly (Mod.1707)	1	—						LB2/21
EA3.24.173	. . . TUBE, TORQUE, AND TAB OPERATING GEAR, PORT ASSEMBLY (MOD.875) (PRE ALT. R60/74)	—	—						LB2/1
EA3.24.219	. . . TUBE, TORQUE, AND TAB OPERATING GEAR, PORT ASSEMBLY (ALT. R60/74)	—	—						
EA3.24.174	. . . TUBE, TORQUE, AND TAB OPERATING GEAR, STARBOARD ASSEMBLY (MOD.875) (PRE ALT. R60/74)	—	—						LB2/2
EA3.24.220	. . . TUBE, TORQUE, AND TAB OPERATING GEAR, STARBOARD ASSEMBLY (ALT. R60/74)	—	—						
T17	. . . BEARING, ballrace	1	—						LB2/3
BAL5/8	. . . BEARING, ballrace	1	—						LB2/4
CBS3	. . . BEARING, ballrace	1	—						LB2/18
EA1.24.195	. . . BRACKET	1	L65 or DTD683						LB2/5
	Attaching parts for EA1.24.195:								
A25-5E	. . . Bolt, 1/4" BSF	2	—						LB2/6
EA1.24.225	. . . Bolt, 1/4" BSF, csk. head	3	—						LB2/45
AGS2001E1	. . . Nut, stiff, 1/4" BSF	3	—						LB2/47
SP124E	. . . Washer	3	—						LB2/48
SP123E	. . . Washer	2	—						LB2/7
EA1.45.987	. . . Washer, shim	2	—						LB2/24
EA1.24.301	. . . BUSH, aileron control stop (Pre Alt. R60/74)	1	DTD625						LB2/8
EA3.24.215	. . . BUSH (Alt. R60/74)	1	BS2874						
AGS2030-26	. . . CIRCLIP, 1 9/16" i/d	1	—						LB2/9
AGS2031-22	. . . CIRCLIP, 1 1/16" o/d	1	—						LB2/10
AGS2030-22	. . . CIRCLIP, 7/8" i/d	1	—						LB2/46
EA1.24.243	. . . LEVER	1	L40						LB2/11
	Attaching parts for EA1.24.243:								
A25-10C	. . . Bolt, 2BA	1	—						LB2/12
A27CS	. . . Nut, 2BA, slotted	1	—						LB2/13
SP90C5	. . . Pin, split	1	—						LB2/14
EA1.24.245	. . . Washer, saddle	2	L40						LB2/15
EA1.24.917	. . . ROD, push, assembly (Pre Alt. R60/14)	1	—						LB2/25
EK5.24.601	. . . ROD, push, assembly (Alt. R60/14)	1	—						
	Spares for:								
EA1.24.899	. . . NUT, special, lock	1	S95						LB2/26
CM2B	. . . ROD, end, ball bearing	1	—						LB2/27
EA1.24.919	. . . SOCKET, c/w bearing No.402259B, Ref.452 (Pre Alt. R60/14)	1	—						LB2/28
EK5.24.603	. . . SOCKET, assembly (Alt. R60/14)	1	—						
	Attaching parts for EA1.24.917 and EK5.24.601:								
EA1.24.263	. . . Bolt, special	1	S95						LB2/29
EA1.24.267	. . . Bolt, special	1	S95						LB2/30
A27CS	. . . Nut, 2BA, slotted	2	—						LB2/31
SP90C7	. . . Pin, split	2	—						LB2/32
EA1.24.391	. . . Tube, distance	2	—						LB2/33
SP15C	. . . Washer	1	—						LB2/34

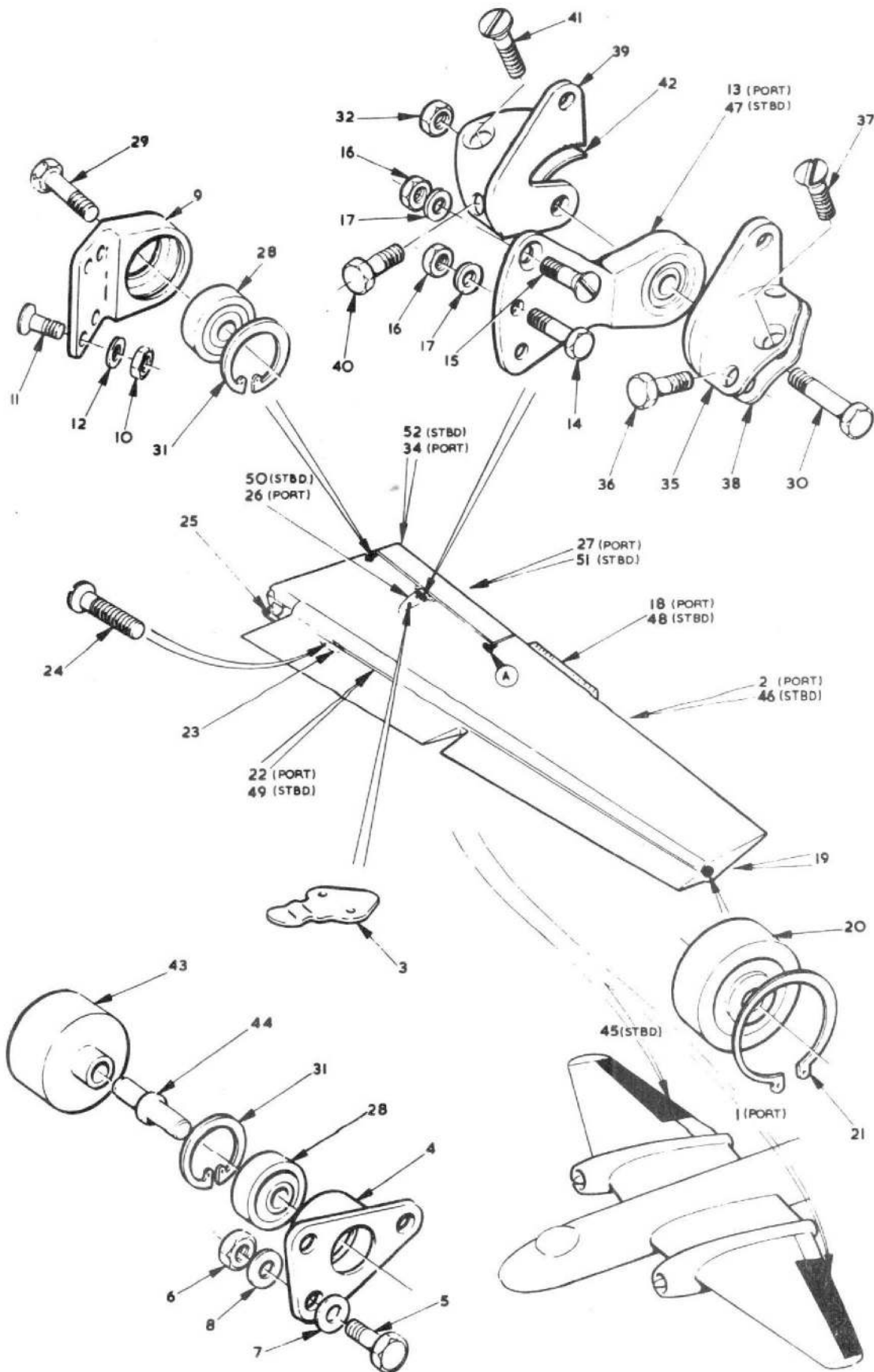


FIG 1 AILERON PORT AND STARBOARD

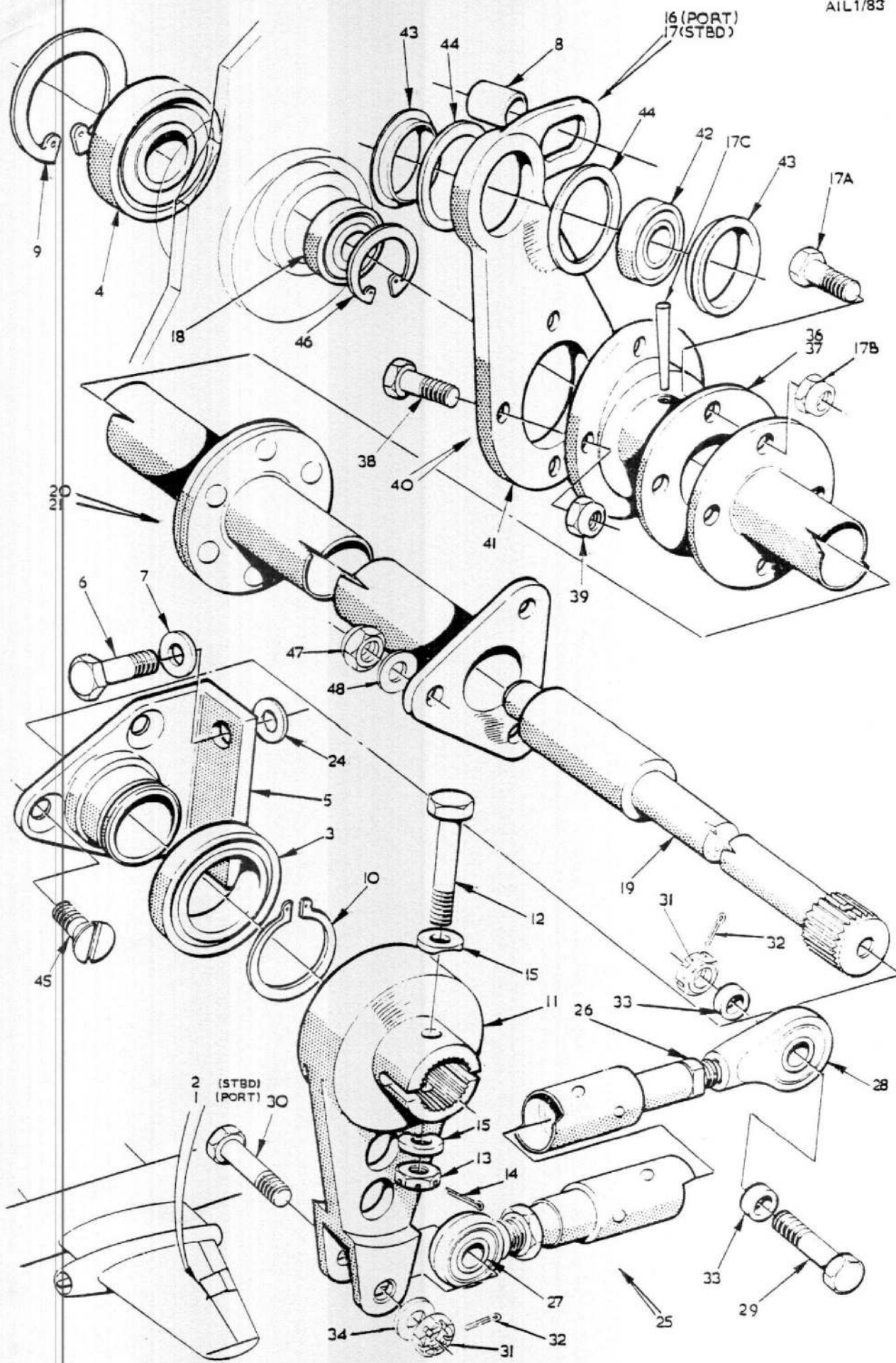


FIG 2 AILERON, PORT AND STARBOARD

CODE RST

SECT L.B.

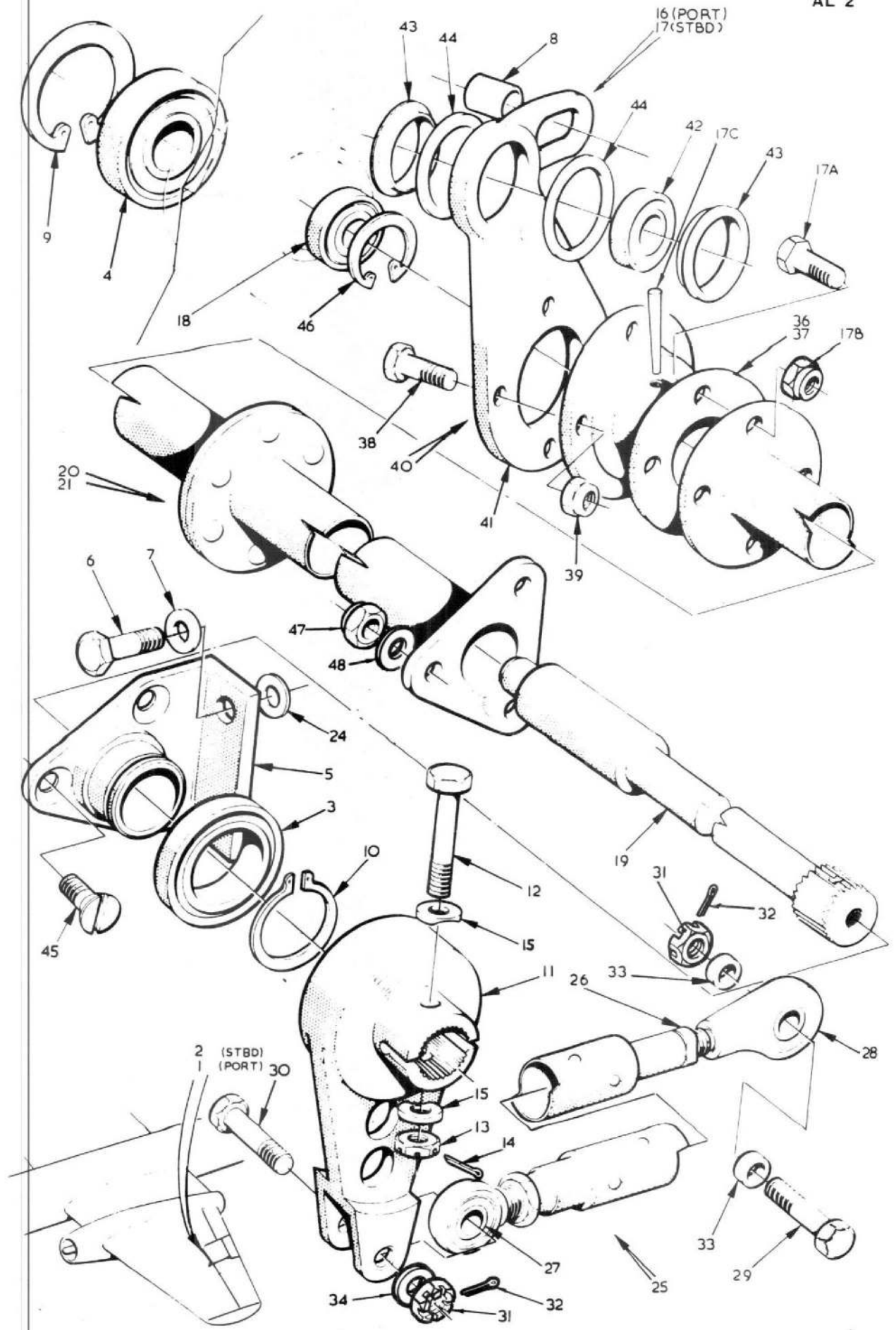


FIG 2 AILERON, PORT AND STARBOARD

This file was downloaded  
from the RTFM Library.

Link: [www.scottbouch.com/rtfm](http://www.scottbouch.com/rtfm)

Please see site for usage terms,  
and more aircraft documents.

