

AP101B-0402-3A

MAINPLANE

WING TIP

Part Number	Description	No. Off	Mati. Spec.	Plate No.	
					1
EA3.00.5174	WING TIP, PORT, ASSEMBLY (Spares condition) (Ref. Drg. EA1.00.67)	1	—	LD1/1	
EA3.00.5175	WING TIP, STARBOARD, ASSEMBLY (Spares condition) (Ref. Drg. EA1.00.68)	1	—	LD1/2	
EA1.20.1953	Spares for: STRUCTURE, WING TIP, PORT, ASSEMBLY	—	—	LD1/3	
EA1.20.1954	STRUCTURE, WING TIP, STARBOARD, ASSEMBLY	—	—	LD1/4	
EA3.20.2443	Spares for: PLATE, blanking, explosive bolt hole	1	DTD683	LD1/5	
EA1.20.2471	PLATE, locking, explosive bolt hole	1	L72	LD1/6	
A33C24	Attaching parts for EA3.20.2443 and EA1.20.2471: Screw, 2BA	1	—	LA1/7	
EA3.00.5168	WING TIP, CENTRE, PORT, ASSEMBLY (Spares condition) (Ref. Drg. EA3.20.1023)	1	—	LD1/8	
EA3.00.5169	WING TIP, CENTRE, STARBOARD, ASSEMBLY (Spares condition) (Ref. Drg. EA3.20.1024)	1	—	LD1/9	
EA3.20.1061	Spares for: PANEL, access, explosive bolt	1	—	LA1/10	
EA1.20.2399	PANEL, removable, fuel and air pipe access, port	1	—	LD1/11	
EA1.20.2400	PANEL, removable, fuel and air pipe access, starboard	1	—	LD1/12	
EA1.20.2395	PANEL, top, access, port	1	—	LA1/13	
EA1.20.2396	PANEL, top, access, starboard	1	—	LA1/14	
EEAS1/1C	Attaching parts for EA1.20.2395 and EA1.20.2396: Screw, 2BA	8	S96	LD1/15	
EEAS1/1C	Attaching parts for EA3.00.5168 and EA3.00.5169: Screw, 2BA	10	S96	LD1/16	
EA3.00.5170	WING TIP, FORWARD, PORT, ASSEMBLY (Spares condition) (Ref. Drg. EA1.20.2433)	1	—	LD1/17	
EA3.00.5171	WING TIP, FORWARD, STARBOARD, ASSEMBLY (Spares condition) (Ref. Drg. EA1.20.2434)	1	—	LD1/18	
EA1.20.9151	Spares for: COVER, navigation light	1	DTD846	LA1/19	
EA3.20.3192	PANEL, ACCESS, NAVIGATION LIGHT, PORT	1	—	LD1/20	
EA3.20.3197	or DOOR, ACCESS, NAVIGATION LIGHT, PORT	1	—		
EA3.20.3191	PANEL, ACCESS, NAVIGATION LIGHT, STARBOARD	1	—	LA1/21	
EA3.20.3198	or DOOR, ACCESS, NAVIGATION LIGHT, STARBOARD	1	—		
EA3.20.5069	PANEL, access, navigation light, lower, port (Mod.4152)	1	—	LD1/25	
EA3.20.5070	PANEL, access, navigation light, lower, starboard (Mod.4152)	1	—	LD1/26	
EA3.20.5073	PIECE, packing (Mod.4152)	1	—	LD1/27	
EA3.20.5071	STRIP, backing (Mod.4152)	1	—	LD1/28	
EA3.20.5072	STRIP, backing (Mod.4152)	1	—	LD1/29	
EA3.00.5172	WING TIP, rear, port, assembly (Spares condition) (Ref. Drg. EA1.20.1955)	1	—	LD1/22	
EA3.00.5173	WING TIP, rear, starboard, assembly (Spares condition) (Ref. Drg. EA1.20.1956)	1	—	LD1/23	
EEAS1/2C	Attaching parts for EA3.00.5174 and EA3.00.5175: Screw, 2BA	92	S96	LD1/24	

R
R
R
R

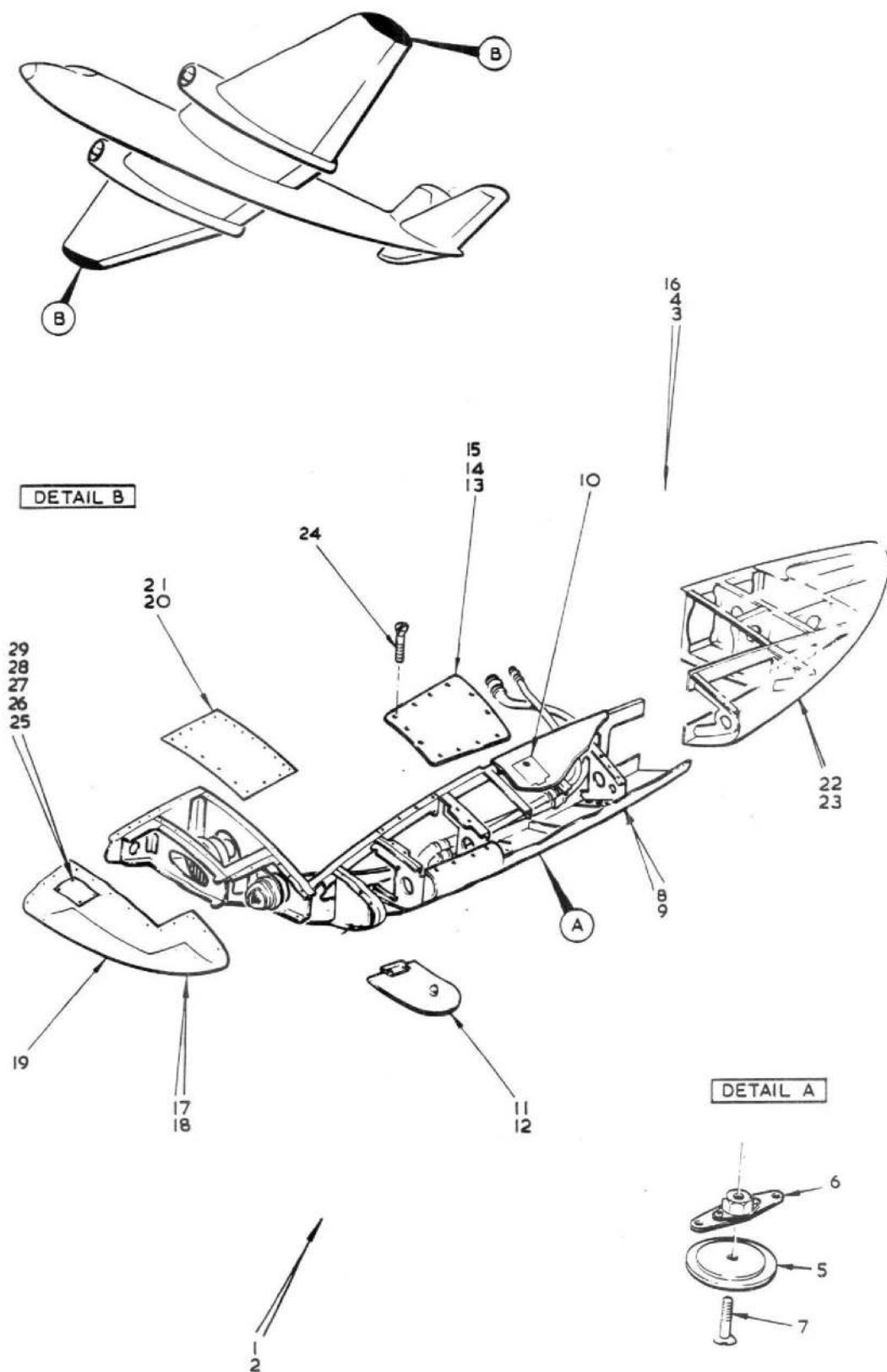


FIG 1 WING TIP PORT AND STARBOARD

CODE RB

SECT LD

This file was downloaded
from the RTFM Library.

Link: www.scottbouch.com/rtfm

Please see site for usage terms,
and more aircraft documents.



LIGHTNING MK. 1
COVER PITOT HEAD
EB2-88-511