

POWER INSTALLATION

ENGINE MOUNTINGS AND ATTACHMENTS, PORT

Part Number	Description	No. Off	Matl. Spec.	Plate No.
EA1.51.1	ENGINE MOUNTINGS AND ATTACHMENTS, PORT ASSEMBLY	—	—	
	Spares for:			
EA1.51.17	. BEARING, spherical	2	S11	PC1/1
EA1.51.3	. BRACKET, ENGINE MOUNTING, REAR, OUTBOARD ASSEMBLY (PRE MOD.5045)	1	—	PC1/2
EA1.51.211	. BRACKET, ENGINE MOUNTING, REAR, OUTBOARD ASSEMBLY (MOD.5045)	1	—	
	Consisting of:			
EA1.51.11	. . BRACKET, mounting (Pre Mod.5045)	1	DTD683	PC1/3
EK5.51.611	. . BRACKET, mounting (Mod.5045)	1	—	
EA1.51.13	. . CAP, retaining (Pre Mod.5045)	1	DTD683	PC1/4
	Attaching parts for EA1.51.13:			
A27JP	. . Nut, 3/8" BSF	2	—	PC1/5
AGS195/4	. . Washer, tab	2	—	PC1/6
EA1.51.215	. . CAP, retaining (Mod.5045)	1	—	
	Attaching parts for EA1.51.215:			
A27JS	. . Nut, slotted, 3/8" BSF	1	—	
A27LS	. . Nut, slotted, 7/16" BSF	1	—	
SP90C8	. . Pin, split	1	—	
SP90C9	. . Pin, split	1	—	
SP122J	. . Washer	1	—	
SP122L	. . Washer	1	—	
EA1.51.207	. . SCREW, grub	1	S11	PC1/8
EA1.51.15	. . STUD, special (Pre Mod.5045)	2	S11	PC1/7
EA1.51.15	. . STUD, special (Mod.5045)	1	—	PC1/7
EA1.51.213	. . STUD, special (Mod.5045)	1	—	PC1/18
	Attaching parts for EA1.51.3 and EA1.51.211:			
A25/8G	. Bolt, 5/16" BSF	6	—	PC1/9
A27GP	. Nut, 5/16" BSF	6	—	PC1/10
EA1.51.209	. Shim (if necessary)	2	—	PC1/11
SP15G	. Washer	6	—	PC1/12
EA1.51.4	. BRACKET, ENGINE MOUNTING, REAR INBOARD, ASSEMBLY (PRE MOD.5045)	1	—	PC1/13
EA1.51.212	. BRACKET, ENGINE MOUNTING, REAR, INBOARD ASSEMBLY (MOD.5045)	1	—	
	Consisting of:			
EA1.51.12	. . BRACKET, mounting (Pre Mod.5045)	1	DTD683	PC1/14
EK5.51.612	. . BRACKET, mounting (Mod.5045)	1	—	
EA1.51.13	. . CAP, retaining	1	DTD683	PC1/15
	Attaching parts for EA1.51.13:			
A27JP	. . Nut, 3/8" BSF	2	—	PC1/16
AGS195/4	. . Washer, tab	2	—	PC1/17

POWER INSTALLATION

ENGINE MOUNTINGS AND ATTACHMENTS, PORT

Part Number	Description	No. Off	Matl. Spec.	Plate No.
EA1.51.215	. . CAP, retaining (Mod. 5045) Attaching parts for EA1.51.215:—	1	—	
A27JS	. . Nut, slotted, 3/8" BSF	1	—	
A27LS	. . Nut, slotted, 7/16" BSF	1	—	
SP90C8	. . Pin, split	1	—	
SP90C9	. . Pin, split	1	—	
SP122J	. . Washer	1	—	
SP122L	. . Washer	1	—	
EA1.51.207	. . SCREW, grub	1	S11	PC1/19
EA1.51.15	. . STUD, special (Pre Mod. 5045)	2	S11	PC1/7
EA1.51.15	. . STUD, special (Mod. 5045)	1	—	PC1/7
EA1.51.213	. . STUD, special (Mod. 5045) Attaching parts for EA1.51.4 and EA1.51.212:—	1	—	PC1/18
A25/8G	. Bolt, 5/16" BSF	6	—	PC1/20
A27/GP	. Nut, 5/16" BSF	6	—	PC1/21
EA1.51.209	. Shim (if necessary)	2	—	PC1/11
SP15G	. Washer	6	—	PC1/23
R EA1.51.229	. MOUNTING, ENGINE, FORWARD, INBOARD, ASSEMBLY (MOD. 5048) Spares for:—	1	—	PC1/24
EA1.51.33	. . BOLT, shouldered	1	S11	PC1/25
R EA1.51.225	. . BRACKET, engine mounting (Mod. 5048) (Pre Mod. 5240)	1	—	PC1/26
R EA1.51.233	. . BRACKET, engine mounting (Mod. 5240) (Port) (AS4766)	1	—	
EA1.51.45	. . FORK-END	1	S96	PC1/27
EA1.51.27	. . NUT, locking	1	L40	PC1/28
A27JS	. . NUT, slotted, 3/8" BSF	1	—	PC1/28A
R A27PT	. . NUT, 9/16"	1	—	PC1/60
SP90C7	. . PIN, split, 1/16" BSF	1	—	PC1/28B
EA1.51.25	. . PLUG, retaining	1	L40	PC1/29
EA1.51.43	. . ROD, tie adjustable	1	S65	PC1/30
SP16J	. . WASHER	1	—	PC1/30A
EA1.51.37	. Bolt, eye, lower	1	S11	PC1/31
EA1.51.39	. Bolt, eye, upper	1	S11	PC1/32
R EEAS222/11G	. Bolt, 5/16" BSF (Mod. 5048)	2	—	PC1/33
R A27GP	. Nut, 5/16" BSF	2	—	PC1/34
R A27GS	. Nut, 5/16" BSF, slotted (Mod. 5048)	2	—	PC1/35
R SP90C7	. Pin, split (Mod. 5048)	2	—	PC1/35A
R SP125G	. Washer, thick (Mod. 5048)	4	—	PC1/36

POWER INSTALLATION
ENGINE MOUNTINGS AND ATTACHMENTS, PORT

Part Number	Description	No. Off	Matl. Spec.	Plate No.
R EA1.51.231	. MOUNTING, ENGINE, FORWARD OUTBOARD, ASSEMBLY (MOD. 5048) Spares for:—	1	—	PC1/37
EA1.51.33	. . BOLT, shouldered	1	S11	PC1/38
R EA1.51.227	. . BRACKET, mounting (Mod. 5048)	1	—	PC1/39
EA1.51.45	. . FORK-END	1	S96	PC1/40
EA1.51.27	. . NUT, locking	1	L40	PC1/41
A27PT	. . NUT, locking, 9/16" BSF	1	—	PC1/41A
A27JS	. . NUT, slotted, 3/8" BSF	1	—	PC1/41B
SP90C7	. . PIN, split, 1/16" dia	1	—	PC1/41C
EA1.51.25	. . PLUG, retaining	1	L40	PC1/42
EA1.51.43	. . ROD, tie, adjustable	1	S65	PC1/43
SP16J	. . WASHER	1	—	PC1/43A
R	Attaching parts for EA1.51.231:—			
R EEAS222/11G	. Bolt, 5/16" BSF (Mod. 5048)	3	—	PC1/44
R EEAS222/12G	. Bolt, 5/16" BSF (Mod. 5048) (Make from A25/12G)	1	—	PC1/44A
R A58GS	. Nut, slotted, 5/16" BSF (Mod. 5048)	1	—	PC1/45
SP90C7	. Pin, split (Mod. 5048)	1	—	PC1/45A
R EA1.51.209	. Shim (if necessary)	2	—	PC1/61
R SP125G	. Washer (Mod. 5048)	4	—	PC1/46
EA1.51.19	. PIN	1	S11	PC1/47



ENGINE MOUNTINGS AND ATTACHMENTS, STARBOARD

Part Number	Description	No. Off	Matl. Spec.	Plate No.
EA1.51.2	ENGINE MOUNTINGS AND ATTACHMENTS, STARBOARD, ASSEMBLY	—	—	
	Spares for:			
EA1.51.17	. BEARING, spherical	2	S11	PD1/1
EA1.51.3	. BRACKET, ENGINE MOUNTING, REAR INBOARD, ASSEMBLY (PRE MOD.5045)	1	—	PD1/2
EA1.51.211	. BRACKET, ENGINE MOUNTING, REAR INBOARD, ASSEMBLY (MOD.5045)	1	—	
	Consisting of:			
EA1.51.11	. . BRACKET, mounting (Pre Mod.5045)	1	DTD683	PD1/3
EK5.51.611	. . BRACKET, mounting (Mod.5045)	1	—	
EA1.51.13	. . CAP, retaining (Pre Mod.5045)	1	DTD683	PD1/4
	Attaching parts for EA1.51.13:			
A27JP	. . Nut, 3/8" BSF	2	—	PD1/5
AGS195/4	. . Washer, tab	2	—	PD1/6
EA1.51.215	. . CAP, retaining, spherical bearing (Mod.5045)	1	DTD5044	
	Attaching parts for EA1.51.215:			
A27JS	. . Nut, 3/8" BSF	1	—	
A27LS	. . Nut, 7/16" BSF	1	—	
SP90C8	. . Pin, split	1	—	
SP90C9	. . Pin, split	1	—	
SP122J	. . Washer	1	—	
SP122L	. . Washer	1	—	
EA1.51.207	. . SCREW, grub	1	S11	PD1/8
EA1.51.15	. . STUD, special (Pre Mod.5045)	2	S11	PD1/7
EA1.51.15	. . STUD, special (Mod.5045)	1	—	PD1/7
EA1.51.213	. . STUD, special (Mod.5045)	1	—	PD1/18
	Attaching parts for EA1.51.3 and EA1.51.211:			
A25/8G	. Bolt, 5/16" BSF	6	—	PD1/9
A27GP	. Nut, 5/16" BSF	6	—	PD1/10
EA1.51.209	. Shim (if necessary)	2	—	PD1/11
SP15G	. Washer	6	—	PD1/12
EA1.51.4	. BRACKET, ENGINE MOUNTING, REAR OUTBOARD, ASSEMBLY (PRE MOD.5045)	1	—	PD1/13
EA1.51.212	. BRACKET, ENGINE MOUNTING, REAR OUTBOARD, ASSEMBLY (MOD.5045)	1	—	
	Consisting of:			
EA1.51.12	. . BRACKET, mounting (Pre Mod.5045)	1	DTD683	PD1/14
EK5.51.612	. . BRACKET, mounting (Mod.5045)	1	DTD683	
EA1.51.13	. . CAP, retaining (Pre Mod.5045)	1	DTD683	PD1/15
	Attaching parts for EA1.51.13:			
A27JP	. . Nut, 3/8" BSF	2	—	PD1/16
AGS195/4	. . Washer, tab	2	—	PD1/17

POWER INSTALLATION
ENGINE MOUNTINGS AND ATTACHMENTS, STARBOARD

Part Number	Description	No. Off	Matl. Spec.	Plate No.
EA1.51.215	. . CAP, retaining, spherical bearing (Mod. 5045) Attaching parts for EA1.51.215:—	1	DTD5044	
A27JS	. . Nut, 3/8" BSF	1	—	
A27LS	. . Nut, 7/16" BSF	1	—	
SP90C8	. . Pin, split	1	—	
SP90C9	. . Pin, split	1	—	
SP122J	. . Washer	1	—	
SP122L	. . Washer	1	—	
EA1.51.207	. . SCREW, grub	1	S11	PD1/19
EA1.51.16	. . STUD, special (Pre Mod. 5045)	2	S11	PD1/7
EA1.51.15	. . STUD, special (Mod. 5045)	1	—	PD1/7
EA1.51.213	. . STUD, special (Mod. 5045)	1	—	PD1/18
	Attaching parts for EA1.51.4 and EA1.51.212:—			
A25/8G	. Bolt, 5/16" BSF	6	—	PD1/20
A27GP	. Nut, 5/16" BSF	6	—	PD1/21
EA1.51.209	. Shim (if necessary)	2	—	PD1/11
SP15G	. Washer	6	—	PD1/23
EA6.50.27	. BRACKET, toggle attachment on starboard engine, forward, outboard, mounting, assembly	1	S96	PD1/52
	Attaching parts for EA6.50.27:—			
A25/3E	. Bolt, 1/4" BSF	1	—	PD1/53
A25/5G	. Bolt, 5/16" BSF	1	—	PD1/54
SP15E	. Washer	1	—	PD1/55
SP15G	. Washer	1	—	PD1/56
SP47E	. Washer, spring	1	—	PD1/57
SP47G	. Washer	1	—	PD1/58
R EA1.51.230	. MOUNTING, ENGINE, FORWARD, INBOARD ASSEMBLY (MOD. 5048) Spares for:—	1	—	PD1/48
EA1.51.33	. . BOLT, shouldered	1	S11	PD1/25
R EA1.51.226	. . BRACKET, mounting (Mod. 5048) (Pre Mod. 5240)	1	—	PD1/49
R EA1.51.234	. . BRACKET, engine mounting (Mod. 5240) (Starboard) (AS4766)	1	—	
EA1.51.45	. . FORK-END	1	S96	PD1/27
EA1.51.27	. . NUT, locking	1	L40	PD1/28
A27JS	. . NUT, slotted, 3/8" BSF	1	—	PD1/28A
R A27PT	. . NUT, 9/16"	1	—	PD1/60
SP90C7	. . PIN, split, 1/16" dia	1	—	PD1/28B
EA1.51.25	. . PLUG, retaining	1	L40	PD1/29

POWER INSTALLATION

ENGINE MOUNTINGS AND ATTACHMENTS, STARBOARD

Part Number	Description	No. Off	Matl. Spec.	Plate No.
EA1.51.43	. . ROD, tie, adjustable	1	S95	PD1/30
AS471J	. . WASHER	1	—	PD1/30A
	Attaching parts for EA1.51.230:—			
EA1.51.37	. Bolt, eye lower	1	S11	PD1/31
EA1.51.39	. Bolt, eye upper	1	S11	PD1/32
EEAS222/11G	. Bolt, 5/16" BSF (Mod. 5048)	2	—	PD1/33
A27GP	. Nut, 5/16" BSF	2	—	PD1/34
A27GS	. Nut, 5/16" BSF slotted (Mod. 5048)	2	—	PD1/35
SP90C7	. Pin, split	2	—	PD1/35A
SP125G	. Washer, thick	4	—	PD1/36
EA1.51.232	. MOUNTING, ENGINE, FORWARD OUTBOARD, ASSEMBLY (MOD. 5048) Spares for:—	1	—	PD1/50
EA1.51.33	. . BOLT, shouldered	1	S11	PD1/38
EA1.51.228	. . BRACKET, engine mounting (Mod. 5048)	1	—	PD1/51
EA1.51.45	. . FORK-END	1	S96	PD1/40
EA1.51.27	. . NUT, locking	1	L40	PD1/41
A27PT	. . NUT, locking, 9/16" BSF	1	—	PD1/41A
A27JS	. . NUT, slotted, 3/8" BSF	1	—	PD1/41B
SP90C7	. . PIN, split, 1/16" dia	1	—	PD1/41C
EA1.51.25	. . PLUG, retaining	1	L40	PD1/42
EA1.51.43	. . ROD, tie, adjustable	1	S65	PD1/43
SP16J	. . WASHER	1	—	PD1/43A
	Attaching parts for EA1.51.232:—			
EA6.50.29	. Bolt, eye	1	S96	PD1/59
EEAS222/11G	. Bolt, 5/16" BSF (Mod. 5048)	3	—	PD1/44
EEAS222/12G	. Bolt, 5/16" BSF (Mod. 5048) (Make from A25/12G)	1	—	PD1/44A
A58GS	. Nut, slotted, 5/16" BSF (Mod. 5048)	1	—	PD1/45
SP90C7	. Pin, split (Mod. 5048)	1	—	PD1/45A
SP125G	. Washer (Mod. 5048)	1	—	PD1/46
EA1.51.19	. PIN	1	S11	PD1/47

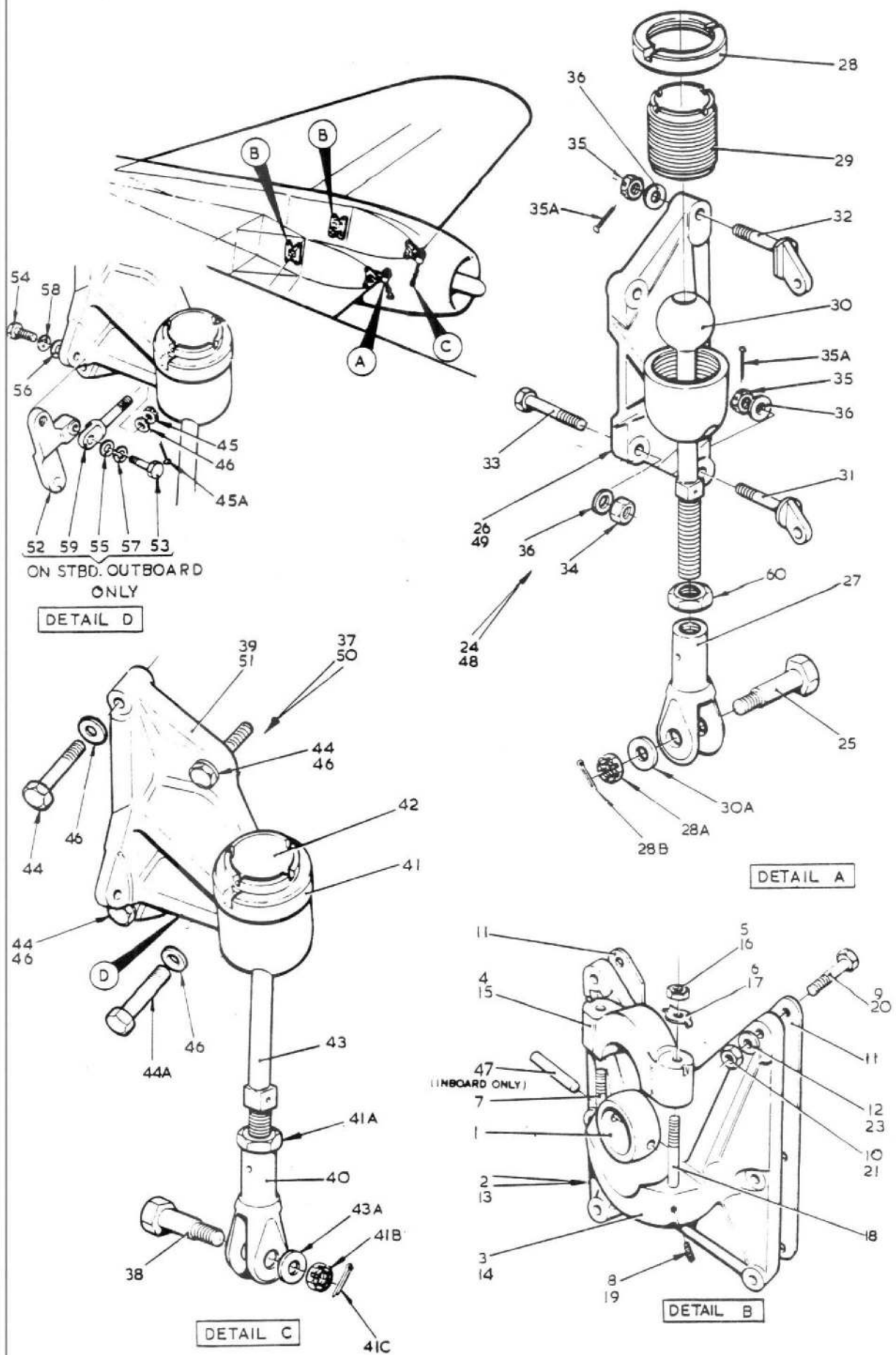


FIG1 ENGINE MOUNTINGS & ATTACHMENTS PORT & STBD

CODE RSTZ

SECT PC/PB

This file was downloaded from the RTFM Library.
Link: www.scottbouch.com/rtfm

Please see site for usage terms, and more aircraft documents.

