

## POWER INSTALLATION

## RA3 ENGINE INSTALLATION, PORT

Part Number	Description	No. Off	Matl. Spec.	Plate No.	
					1
EA1.00.103	RA3, ENGINE, INSTALLATION, PORT, ASSEMBLY	—	—		
	Spares for:—				
AGS1142H	. ADAPTOR, nipple	1	—	PE1/1	
EA4.61.93	. BRACKET	1	—	PE1/2	
SP91N	. CLIP	2	—	PE1/3	
EA4.61.97	. CLIP	1	—	PE1/4	
	Attaching parts for EA4.61.97:—				
A25/13C	. Bolt, 2BA	2	—	PE1/5	
EA1.50.959	. DUCT, compressor bleed valve	2	—	PE1/6	
AGS1167H	. ELBOW	1	—	PE1/7	
EA1.60.5	. FIRE PROTECTION SYSTEM, ENGINE BAY ASSEMBLY (See Chapter SF)	—	—		
EA4.61.101	. PIPE	1	—	PE1/8	
EA4.61.105	. PIPE, flexible (Pre-Mod 5448)	1	—	PE1/9	
EA4.61.115	. PIPE, flexible (Mod 5448)	1	—		
EA1.60.57	. PIPE, flexible fireproof (Dunlop Part No. AHO24508/10.75)	1	WH2/1	PE1/10	
EA1.57.15	. PIPE, flexible, fuel (Dunlop Part No. AHM541/21.0)	1	WH2/1	PE1/11	
EA1.50.1667	. PIPE, FUEL, DRAIN, ASSEMBLY (PRE-MOD 4726)	—	—		
EA3.50.37	. PIPE, FUEL, DRAIN, ASSEMBLY (MOD 4726)	—	—	PE1/12	
	Spares for:—				
SP93A12	. . GROMMET (Mod 4726)	2	—	PE1/13	
EA1.50.1665	. . PIPE, drain (Pre-Mod 4726)	1	—		
EA3.50.35	. . PIPE, assembly, drain (Mod 4726)	1	DTD5019	PE1/14	
EA3.75.263	. PIPE, ASSEMBLY, H.P. CABIN PRESSURE SYSTEM	1	—	PE1/15	
	Spares for:—				
K.A.C CO. GLASGOW C2593	. . COUPLING, flexible	1	—	PE1/32	
AGS1142H	. . NIPPLE	2	—	PE1/33	
EA3.75.255	. . PIPE, assembly	1	—	PE1/34	
EA3.75.257	. . PIPE, assembly	1	—	PE1/16	
EA3.50.1	. PIPE, ENGINE WHEELCASE BREATHER ASSEMBLY	1	—	PE1/17	
	Spares for:—				
SP91J	. . CLIP	2	—	PE1/18	
EA3.50.7	. . CLIP, P	2	—	PE1/19	
	Attaching parts for EA3.50.7:—				
A25/1E	. . Bolt	1	—	PE1/20	
AGS2001E1/66	. . Nut	1	—	PE1/21	
SP15E	. . Washer	1	—	PE1/22	
EA3.50.3	. . PLATE	1	—	PE1/23	
EEAS66/4	. . RING, clamping	2	L72	PE1/24	
EA3.50.9	. . SLEEVE, pipe connecting	1	Silastic	PE1/25	

## POWER INSTALLATION

## RA3 ENGINE INSTALLATION, PORT

Part Number	Description	No. Off	Mati. Spec.	Plate No.
R EA2.57.785	. PIPE, flexible, drop tank air supply (Pre-Mod 5448)	1	-	PE1/26
R EA2.57.825	. PIPE, flexible (Mod 5448)	1	-	
EA3.57.33	. PIPE, assembly from compressor coupling to hose coupling	1	T26	PE1/27
EA1.50.973	. RING, retaining, split	4	L59	PE1/28
R 126-3PG	. SWITCH, warning, fuel pressure	1	-	PE1/35
EA3.81.1105	. THERMO-COUPLE, ASSEMBLY Spares for:-	4	-	PE1/29
R TYPE B8	. THERMO-COUPLE, Type B8	1	-	PE1/30
R DUNLOP 26FZ3613	. TUBE, silicone rubber, $\frac{5}{16}$ " i/d x 16" long	1	Shore 75-80	PE1/31
or HELLERMANN SLP80	. TUBING	1	-	

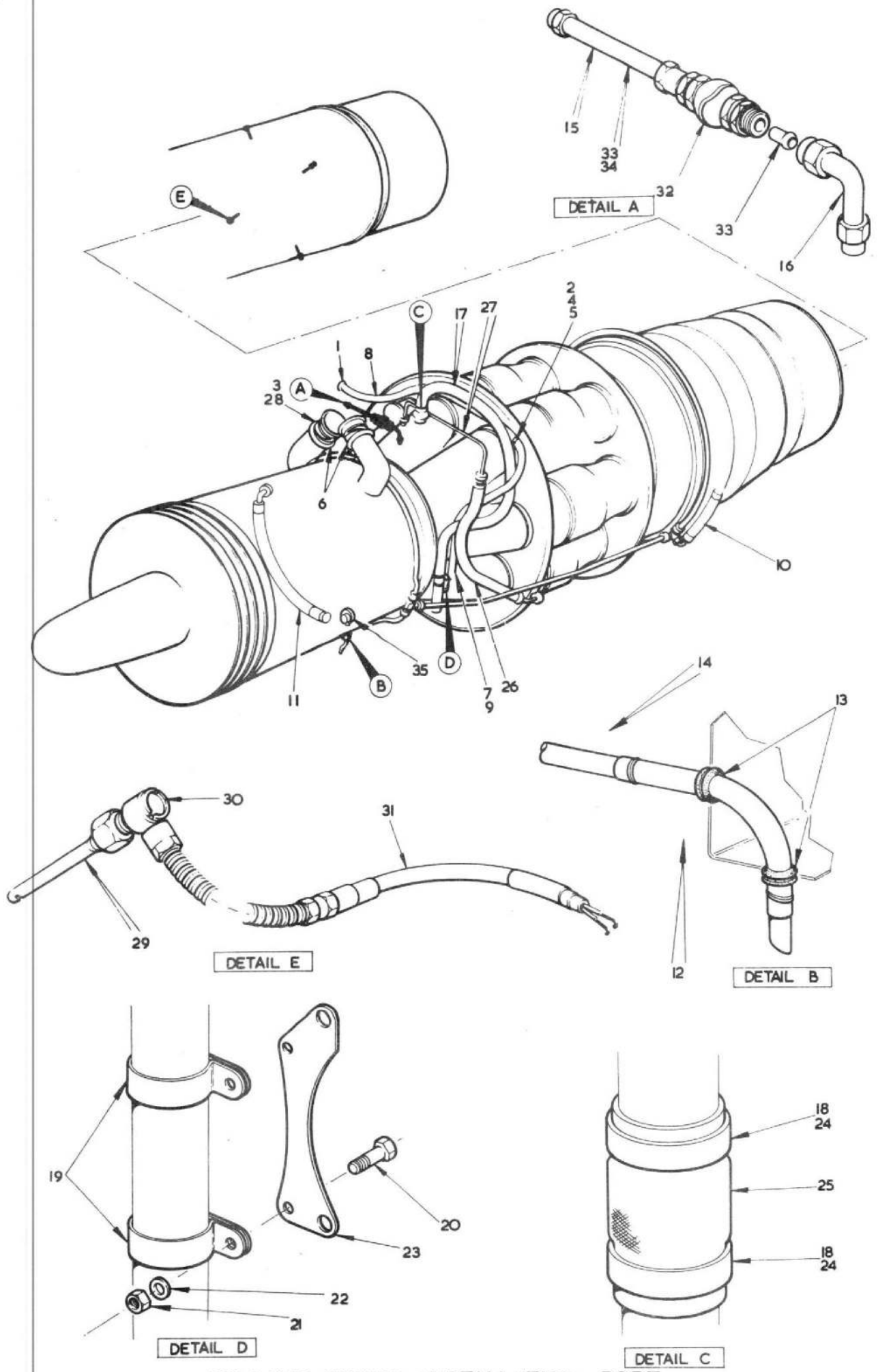


FIG.1 RA3 ENGINE INSTALLATION PORT

CODE R

SECT. PE

This file was downloaded  
from the RTFM Library.

Link: [www.scottbouch.com/rtfm](http://www.scottbouch.com/rtfm)

Please see site for usage terms,  
and more aircraft documents.

