

AP101B-0402-3A

## POWER INSTALLATION

## RA3 ENGINE, INSTALLATION, STARBOARD

Part Number	Description	No. Off	Matl. Spec.	Plate No.
EA1.00.104	RA3, ENGINE, INSTALLATION, STARBOARD Spares for:—	—	—	
AGS1142H	. ADAPTOR, nipple	2	—	PF1/1
SP91N	. CLIP	2	—	PF1/2
EA1.50.959	. DUCT, compressor bleed valve	2	—	PF1/3
EA1.60.6	. FIRE PROTECTION SYSTEM, ENGINE BAY (See Chapter SF)	—	—	
EA1.60.58	. PIPE, flexible fireproof (Dunlop Part No. AHO24509/10-75)	1	WH2/1	PF1/16
EA1.57.16	. PIPE, flexible fuel (Dunlop Part No. AHO542/21-0)	1	WH2/1	PF1/17
EB7.61.85	. PIPE, flexible air (Pre-Mod 3797)	1	—	PF1/18
EB7.61.135	. PIPE, flexible air (Mod 3797)	1	—	
EB6.57.83	. PIPE, flexible (Pre-Mod 5448)	1	—	PF1/19
EB6.57.351	. PIPE, flexible (Mod 5448)	1	—	
EA3.75.265	. PIPE, H.P. CABIN PRESSURE SYSTEM, ASSEMBLY Consisting of:—	1	—	PF1/20
K.A.C. Co. C2593	. . COUPLING, flexible	2	—	PF1/21
AGS1142H	. . NIPPLE	2	—	PF1/22
EA3.75.257	. . PIPE, assembly	1	—	PF1/23
EA3.75.259	. . PIPE, assembly	1	—	PF1/24
EA1.50.1667	. PIPE, FUEL DRAIN, ASSEMBLY (PRE-MOD 4726)	1	—	
EA3.50.37	. PIPE, FUEL DRAIN, ASSEMBLY (MOD 4726) Spares for:—	1	—	PF1/25
SP93A12	. . GROMMET (Mod 4726)	2	—	PF1/26
EA1.50.1665	. . PIPE, drain	1	—	
EA3.50.35	. . PIPE, assembly, drain (Mod 4726)	1	DTD5019	PF1/30
EA3.50.1	. PIPE, ENGINE, WHEELCASE BREATHER, ASSEMBLY Spares for:—	1	—	PF1/27
SP91J	. . CLIP	2	—	PF1/4
EA1.50.7	. . CLIP, P Attaching parts for EA3.50.7:—	2	—	PF1/5
A25/1E	. . Bolt	1	—	PF1/6
AGS2001E1/66	. . Nut	1	—	PF1/7
SP15E	. . Washer	1	—	PF1/8
EA3.50.3	. . PLATE	1	—	PF1/9
EEAS66/4	. . RING, clamping	2	L72	PF1/28
EA3.50.9	. . SLEEVE, pipe connecting	1	Silastic	PF1/29
EA1.50.973	. RING, air duct retaining	4	—	PF1/10
305V9700	. SWITCH, warning, fuel pressure	1	—	PF1/11
KGA0463	. TACHOMETER, generator, Mk. 8	1	—	PF1/12
EA3.81.1105	. THERMO-COUPLE, ASSEMBLY Spares for:—	4	—	PF1/13
TYPE B8	. . THERMO-COUPLE, Type B8	1	—	PF1/14
DUNLOP 26FZ8613	. . TUBE, silicon rubber $\frac{5}{16}$ " dia x 16" long	1	Shore 75-80	PF1/15
or HELLERMANN SLP80	. . TUBING	1	—	

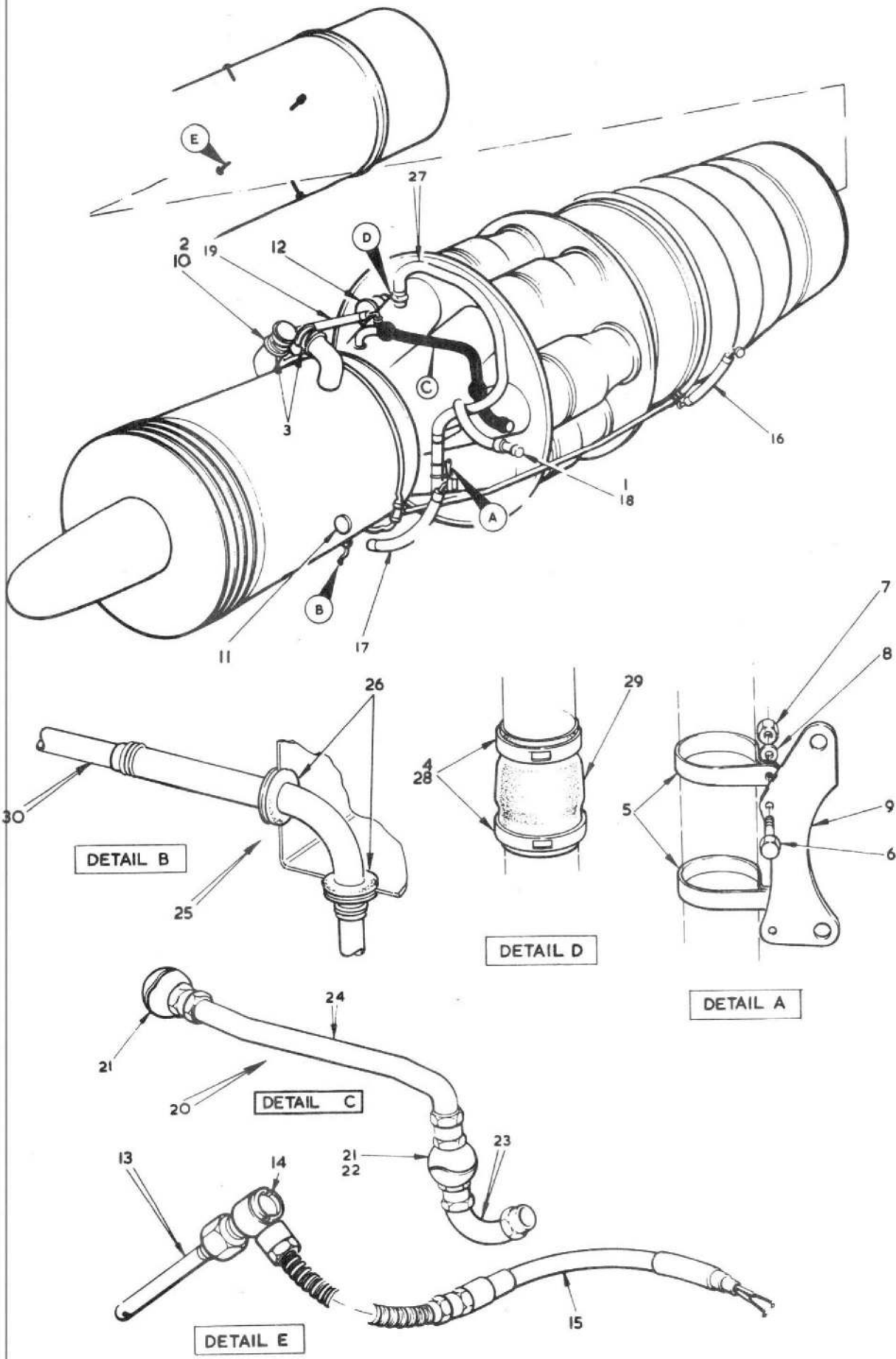


FIG.1 RA3 ENGINE INSTALLATION STBD

CODE R

SECT. PF

This file was downloaded  
from the RTFM Library.  
Link: [www.scottbouch.com/rtfm](http://www.scottbouch.com/rtfm)  
Please see site for usage terms,  
and more aircraft documents.

