

RADIO

RADIO COMPASS, ARI.23023, AD7092D

Part Number	Description	No. Off	Matl. Spec.	Plate No.	
					1
R EA3.82.7011	INSTALLATION OF RADIO COMPASS, ARI.23023, AD7092D (MOD.4937-S.O.O)	-	-		
R EA3.82.8011	INSTALLATION OF RADIO COMPASS, ARI.23023, AD7092D (MOD.5204-S.O.O)	-	-	RA1/1	
SI178511	Spares for: . . . AERIAL, LOOP, IN UPPER EQUIPMENT HATCH, INSTALLATION (SRIM.1785) (MOD.4937)	-	-	RA1/2	
R W25140	Spares for: . . . AERIAL, loop type W25140 Attaching parts for Ref. 10B/4306005:	1	-	RA1/3	
AGS2007B1	. . . Nut, anchor, 4BA	16	-	RA1/4	
A33B20	. . . Screw, 4BA	16	-	RA1/5	
	. . . HATCH, UPPER, EQUIPMENT BAY, INSTALLATION (SRIM.1785) (MOD.4937-S.O.O)	-	-		
SI178515/6	Spares for: . . . BRACKET, strut attachment, 18 SWG Attaching parts for SI178515/6:	1	L72	RA1/6	
AGS2007B1	. . . Nut, anchor, 4BA	2	-	RA1/7	
A31B16	. . . Screw, 4BA	2	-	RA1/8	
SI178515/2	. . . EYE-BOLT, strut attachment Attaching parts for SI178515/2:	1	S1	RA1/9	
A27ES	. . . Nut, 1/4" BSF	1	-	RA1/10	
SP90C6	. . . Pin, split	1	-	RA1/11	
SI178515/3	. . . Tube, distance	1	L85	RA1/12	
SP13E	. . . Washer	1	-	RA1/13	
SI178517	. . . FASTENER, assembly, strut anchor	1	-	RA1/14	
SI178501	. . . HINGE assembly	1	-	RA1/15	
SI178520	. . . MODIFICATION TO UPPER EQUIPMENT BAY HATCH Spares for:	-	-	RA1/16	
SI178549	. . . PANEL, Di-Electric, assembly Attaching parts for SI178549:	1	-	RA1/17	
AS1242/2B	. . . Bolt, 4BA	36	-	RA1/18	
AGS2007B1	. . . Nut, anchor, 4BA	36	-	RA1/19	
SI178516	. . . STRUT ASSEMBLY Spares for:	1	-	RA1/20	
SI178515/4	. . . SPIGOT Attaching parts for SI178516:	1	-	RA1/21	
A25/3E	. . . Bolt, 1/4" BSF	1	-	RA1/22	
A27ES	. . . Nut, 1/4" BSF	1	-	RA1/23	
SP90C6	. . . Pin, split	1	-	RA1/24	
SP13E	. . . Washer	1	-	RA1/25	
SI178518	. . . PLATE, aerial mounting, 16 SWG Attaching parts for SI178518:	1	L72	RA1/26	
AGS2007C1	. . . Nut, 2BA	10	-	RA1/27	
A31C16	. . . Screw, 2BA	10	-	RA1/28	

RADIO

AP101B-0402-3A

RADIO COMPASS, ARI.23023, AD7092D

Part Number	Description	No. Off	Matl. Spec.	Plate No.
EA3.82.425	. . AERIAL, SENSE, ON STARBOARD BOMB DOOR, INSTALLATION (MOD 4937-S.O.O.) Spares for:—	—	—	
R EA3.82.427	. . . AERIAL ASSEMBLY Spares for:—	1	—	RA4/1
R EA3.82.437	. . . BUSH	1	—	RA4/2
R EA3.82.435	. . . CONDUCTOR	1	—	RA4/3
R EA3.82.439	. . . DISC, insulating	1	—	RA4/4
R A14EB	. . . NUT	4	—	RA4/5
R EA3.82.429	. . . PILLAR, end	2	—	RA4/6
R EA3.82.431	. . . PILLAR, centre	1	—	RA4/7
R EA3.82.433	. . . ROD, antenna	1	—	RA4/8
R A45B24	. . . SCREW	1	—	RA4/9
R SP22C	. . . WASHER	2	—	RA4/10
R A33C28	. . . Attaching parts for EA3.82.427:— Screw, 2BA	18	—	RA4/11
R EA3.82.459	. . . CLEAT, angle	1	—	RA4/12
R AGS2008BI	. . . Nut, anchor Attaching parts for:—	1	—	RA4/13
R A25/1B	. . . Bolt, 4BA	2	—	RA4/14
R AGS2001B1	. . . Nut, 4BA	2	—	RA4/15
R SP13B	. . . Washer	2	—	RA4/16
R AS3180/5B	. . . CLIP, 'P' Attaching parts for AS3180/5B:—	1	—	RA4/17
R A25/1B	. . . Bolt, 4BA	1	—	RA4/18
R EA3.82.449	. . . FAIRLEAD Attaching parts for EA3.82.449:—	2	—	RA4/19
R A32C24	. . . Screw, 2BA	1	—	RA4/20
R EA3.82.425A	. . . PACKING, 18 SWG	—	L72	RA4/21
R EA3.82.455	. . . PLATE, cover Attaching parts for EA3.82.455:—	1	—	RA4/22
R AGS2018BI	. . . Nut, anchor, 4BA	4	—	RA4/23
R A32B20	. . . Screw, 4BA	4	—	RA4/24
R SP13B	. . . Washer	4	—	RA4/25
R EA3.82.441	. . . PLATE, cover	2	—	RA4/26
R EA3.82.443	. . . PLATE, doubling	2	—	RA4/27
R EA3.82.451	. . . PLATE, doubling	1	—	RA4/28
R EA3.82.457	. . . PLATE, nut	1	—	RA4/29
R EA3.82.447	. . . PLATE, reinforcing	1	—	RA4/30

RADIO

RADIO COMPASS, ARI.23023, AD7092D

Part Number	Description	No. Off	Matl. Spec.	Plate No.
SI178509	. AMPLIFIER, SENSE AERIAL, BETWEEN FRAMES 25 AND 26, STARBOARD SIDE, INSTALLATION (SRIM.1785) (MOD 4937-S.O.O.) Spares for:-	-	-	
R 10U4698828	. . AMPLIFIER, sense, type 1628 Attaching parts for Ref. 10U/4698828	1	-	
R A25 ¹ / ₂ C	. . Bolt, 2BA	4	-	
CS5391/2	. CABLE, ASSEMBLY, from navigator's indicator type 1630 to terminal block (SRIM 3577) (Mod 4937-S.O.O.)	1	-	
CS5391/6	. CABLE, ASSEMBLY, from radio junction box to terminal block (SRIM 3577) (Mod 4937-S.O.O.)	1	-	
R 10HA16202	. CONNECTOR, type 11197, from loop control unit to pressure bulkhead (SRIM 1785) (Mod 4937-S.O.O.)	1	-	
R 10HA16204	. CONNECTOR, type 11199, from pressure bulkhead to terminal block (SRIM 1785) (Mod 4937-S.O.O.)	1	-	
R 10HA16206	. CONNECTOR, type 11201, from loop aerial to JB, type 1629 (SRIM 1785) (Mod 4937-S.O.O.)	1	-	
R 10HA16213	. CONNECTOR, type 11208, from receiver control unit to pressure bulkhead (SRIM 1785) (Mod 4937-S.O.O.)	1	-	
R 10HA16216	. CONNECTOR, type 11211, from pressure bulkhead to terminal block (SRIM 1785) (Mod 4937-S.O.O.)	1	-	
R 10HA16217	. CONNECTOR, type 11212, from pilot's indicator type 1630 to terminal block (SRIM 1785) (Mod 4937-S.O.O.)	1	-	
R 10HA16221	. CONNECTOR, type 11216, from pressure bulkhead to terminal block (SRIM 1785) (Mod 4937-S.O.O.)	1	-	
R 10HA16222	. CONNECTOR, type 11217, from voice range filter type 1275 to terminal block (SRIM 1785) (Mod 4937-S.O.O.)	1	-	
R 10HA16237	. CONNECTOR, type 11250, from pressure bulkhead to loop aerial (SRIM 1785) (Mod 4937-S.O.O.)	1	-	
R 10HA16238	. CONNECTOR, type 11255, from pressure bulkhead to loop aerial (SRIM 1785) (Mod 4937-S.O.O.)	1	-	
R 10HA16239	. CONNECTOR, type 11256, from pressure bulkhead to receiver type 7092D (SRIM 1785) (Mod 4937-S.O.O.)	1	-	

RADIO

RADIO COMPASS, ARI.23023, AD7092D

Part Number	Description 1 2 3 4 5 6	No. Off	Matl. Spec.	Plate No.

AP101B-0402-3A

RADIO

RADIO COMPASS, ARI.23023, AD7092D

Part Number	Description	No. Off	Matl. Spec.	Plate No.
R TYPE 11257	. CONNECTOR, type 11257, from pressure bulkhead to receiver type 7092D (SRIM.1785) (Mod 4937-S.O.O.)	1	-	RA2/15
R R TYPE 11258	. CONNECTOR, type 11258, from power factor transformer type 1571 to receiver type 7092D (SRIM.1785) (Mod 4937-S.O.O.)	1	-	RA2/16
R R TYPE 11259	. CONNECTOR, type 11259, from power factor transformer type 1571 to No. 1 distribution box (SRIM.1785) (Mod 4937-S.O.O.)	1	-	RA2/17
R R TYPE 11261	. CONNECTOR, type 11261, from pressure bulkhead to voltage regulator type 1555A (SRIM.1785) (Mod 4937-S.O.O.)	1	-	RA2/18
R R TYPE 11203	. CONNECTOR, type 11203, from JB. type 1629 to receiver type 7092D (SRIM.1785) (Mod.4937-S.O.O.)	1	-	RA2/19
R R TYPE 11251	. CONNECTOR, type 11251, from loop aerial to JB, type 1629 (SRIM.1785) (Mod 4937-S.O.O.)	1	-	RA2/20
R R TYPE 11260	. CONNECTOR, type 11260, from voltage regulator type 1555A to receiver type 7092D (SRIM.1785) (Mod 4937-S.O.O.)	1	-	RA2/21
R R TYPE 11204	. CONNECTOR, type 11204, from sense aerial to sense amplifier type 1628 (SRIM.1785) (Mod 4937-S.O.O.)	1	-	RA2/22
R R TYPE 11253	. CONNECTOR, type 11253, from sense amplifier type 1628 to aerial transformer type 1343A (SRIM.1785) (Mod 4937-S.O.O.)	1	-	RA2/23
R R TYPE 11252	. CONNECTOR, type 11252, from sense amplifier type 1628 to JB. type 1629 (SRIM.1785) (Mod 4937-S.O.O.)	1	-	RA2/24
R EA3.82.7083	. EQUIPMENT IN UPPER EQUIPMENT BAY, INSTALLATION Spares for:-	-	-	RA2/25
R TYPE 1629	. . BOX, junction, type 1629	1	-	RA2/26
EA3.82.487	. . BRACKET, mounting, JB. type 1629	1	-	RA2/27
EA3.82.5605	. . BRACKET, assembly, mounting voltage regulator, type 1555A	1	-	RA2/28
EA3.82.5607	. . BRACKET, assembly, mounting, voltage regulator, type 1555A	1	-	RA2/29
178533	. . BRACKET, mounting, power factor transformer type 1571, 16 SWG (SRIM.1785) (Mod 4937-S.O.O.) Attaching parts for 178533:-	1	L72	RA2/30
A25/1B	. . Bolt, 4BA	5	-	RA2/31
AGS2001B1	. . Nut, 4BA	5	-	RA2/32
SP13B	. . Washer	5	-	RA2/33
R W25385	. . REGULATOR, voltage, type 1555A	1	-	RA2/34
R W26424	. . TRANSFORMER, power factor, type 1571	1	-	RA2/35

RADIO

RADIO COMPASS, ARI.23023, AD7092D

Part Number	Description	No. Off	Mati. Spec.	Plate No.
SI178507	. RECEIVER, TYPE 7092D, IN UPPER EQUIPMENT BAY, INSTALLATION (SRIM.1785) (MOD 4937-S.O.O.) Spares for:-	-	-	
R W2396B	. . . BACKPLATE	1	-	RA2/36
R AD7092D	. . . RECEIVER, type AD7092D	1	-	RA2/37
R RD9-2833	. . . RACK, electrical equipment, type 182 Attaching parts for RD9-2833	1	-	RA2/38
R A25/8E	. . . Bolt, 1/4" BSF	4	-	RA2/39
R WT/3304707	. . . Washer, check	4	-	RA2/40
41055	. . . RACK, ELECTRICAL EQUIPMENT, MODIFIED (NHA. EA3.82.7011) (SRIM.3577) (MOD 4937-S.O.O. OR NHA. EA3.82.8011) (MOD 5204-S.O.O.)	-	-	
R 41185	. . . RACK, ELECTRICAL EQUIPMENT, MODIFIED (NHA. EA3.82.8011) (SRIM.3676) (MOD 5204-S.O.O.) Alternative fit Spares for:-	-	-	RA2/41
R WT41712-949	. . . MOUNT, anti-vibration Attaching parts for WT41712-949	4	-	RA2/42
R A251B	. . . Bolt, 4BA	4	-	RA2/43
AGS2001B1	. . . Nut, 4BA	4	-	RA2/44
SP15B	. . . Washer	4	-	RA2/45
13940	. . . PLATE, support, AV mount, 12 SWG Attaching parts for 13940:-	4	L72	RA2/46
R A25/1/2C	. . . Bolt, 2BA	4	-	RA2/47
R AGS2001C1-66	. . . Nut, 2BA	4	-	RA2/48
SP15C	. . . Washer	4	-	RA2/49
R RD9-2833	. . . RACK, electrical equipment, type 182 (To be modified with above items)	1	-	RA2/50
R 10K18225	. . . TRANSFORMER, aerial, type 1343A	1	-	RA2/51

AP101B-0402-3A

RADIO

RADIO COMPASS, ARI.23022

Part Number	Description	No. Off	Matl. Spec.	Plate No.	
					1
EA3.82.463	RADIO COMPASS, ARI.23022, MISCELLANEOUS DETAILS (MOD 1190-S.O.O. AND MOD 1191-S.O.O.) (PRE-MODS 4937 and 4868) Spares for:—	—	—	RA3/1	
R TYPE 1628	. AMPLIFIER, sense aerial, type 1628	1	—	RA3/2	
R A31C16	. Attaching parts for TYPE 1628:— . Screw, 2BA	4	—	RA3/3	
R TYPE B No. 1	. BLOCK, terminal, 3-way	1	—	RA3/4	
R A33/A24	. Attaching parts for TYPE B No. 1 . Nut, 6BA	2	—	RA3/5	
R 703.2.00244	. Screw, 6BA	2	—	RA3/6	
R 703.2.00244	. BLOCK, terminal, 10-way	1	—	RA3/7	
R Z28426	. Attaching parts for 703-2-00244 . Nut, 4BA	2	—	RA3/8	
R SP13B	. Pillar, fixing	2	—	RA3/9	
R TYPE 1629	. BOX, junction, type 1629	1	—	RA3/10	
EA3.82.465	. BRACKET, switch	1	L72	RA3/11	
A25/1B	. Attaching parts for EA3.82.465:— . Bolt, 4BA	2	—	RA3/12	
AGS2001B1	. Nut, 4BA	2	—	RA3/13	
SP13B	. Washer	2	—		
EA3.82.479	. BRACKET, mounting, assembly, sense amplifier	1	—	RA3/14	
A25/1B	. Attaching parts for EA3.82.479:— . Bolt, 4BA	6	—	RA3/15	
AGS2001B1	. Nut, 4BA	6	—	RA3/16	
SP13B	. Washer	6	—	RA3/17	
EA3.82.483	. BRACKET, mounting, assembly, power factor transformer	1	—	RA3/18	
EA3.82.487	. BRACKET, mounting, assembly, junction box, type 1629	1	—	RA3/19	
EA3.82.5605	. BRACKET, assembly, voltage regulator (Mod 4960)	1	—	RA3/20	
EA3.82.5607	. BRACKET, assembly, voltage regulator (Mod 4960)	1	—	RA3/21	
EA3.82.467	. CABLE, ASSEMBLY, earth, from D.C. distribution box	2	—		
EA3.82.497	. CABLE, ASSEMBLY, FS.102 from D.C. distribution box to pressure bulkhead	1	—		
EA3.82.499	. CABLE, ASSEMBLY, NS.102, from radio compass On/Off switch to pressure bulkhead	1	—		
R UNINYVIN 16	. CABLE, Uninyvin 16	QR	—		
R UNINYVIN 20	. CABLE, Uninyvin 20	QR	—		
R UNINYVINMET-SHEATH 20	. CABLE, Uninyvinmetsheath 20	QR	—		
EEAS143/6H	. CLIP, 1/4" o/d	2	L72		
CZ69733	. CLAMP, cable	1	—		
R M2161	. CORD, copper, flexible	QR	—		
CZ26808	. COVER, terminal block, 10-way	1	—		
EA3.82.521	. EQUIPMENT ON FLYING PANEL Spares for:—	—	—	RA3/22	
R 10D4684123	. BOX, junction, type 148	1	—	RA3/23	
R A44B16	. Attaching parts for Ref.10D/4684123 . Screw, 4BA	4	—	RA3/24	

RADIO

RADIO COMPASS, ARI.23022

Part Number	Description	1 2 3 4 5 6						No. Off	Matl. Spec.	Plate No.
		1	2	3	4	5	6			
EA3.82.525	. . BRACKET, bearing, indicator Attaching parts for EA3.82.525:--							1	—	RA3/25
A25/1B	. . Bolt, 4BA							6	—	RA3/26
AGS2001B4	. . Nut, 4BA							6	—	RA3/27
SP15B	. . Washer							6	—	RA3/28
R HV3711 GREY	. . CAP, Helvin							1	—	RA3/29
R TYPE 1630	. . INDICATOR, bearing, type 1630 Attaching parts for TYPE 1630							1	—	RA3/30
R A44B28	. . Screw, 4BA							4	—	RA3/31
AGS2073B	. . Washer, shakeproof							4	—	RA3/32
EA6.80.509	. . PANEL, mounting, VHF control							1	—	RA3/33
EA3.82.495	. . CLEAT, half, starboard wheel bay							1	LFS	RA3/34
EA3.82.496	. . CLEAT, half, starboard wheel bay							1	LFS	RA3/35
R AS5	. FUSE, type S, 5 amp.							1	—	RA3/36
R TDA-62-10A	. FUSE, type S, 10 amp.							1	—	RA3/37
Z22432	. GROMMET							1	—	RA3/38
EEAS40/1	. LUG							1	—	RA3/39
EEAS40/2	. LUG							1	—	RA3/40
CZ62269	. PLUG/SOCKET, type 11							1	—	RA3/41
CZ62270/1	. PLUG/SOCKET, type 18							1	—	RA3/42
CZ62270/2	. PLUG/SOCKET, type 19							1	—	RA3/43
CZ62271	. PLUG/SOCKET, type 23							1	—	RA3/44
CZ62275	. PLUG/SOCKET, type 48							1	—	RA3/45
CZ62277	. PLUG/SOCKET, type 59							1	—	RA3/46
R W25385	. REGULATOR, voltage, type 1555A							1	—	RA3/47
EA3.82.491	. SHROUD, cable assembly, starboard wheel bay Attaching parts for EA3.82.491:--							1	—	
A25/4B	. Bolt, 4BA							6	—	RA3/48
SP13B	. Washer							6	—	RA3/49
EEAS146/6	. SLEEVE							13	—	
EEAS146/16	. SLEEVE							45	—	
CZ61881	. SOCKET/PLUG							1	—	RA3/50
R C5162YMK3	. SWITCH, push, type B Attaching parts for C5162YMK3							1	—	RA3/51
A47Z	. Nut, 8BA							2	—	RA3/52
A31Z12	. Screw, 8BA							2	—	RA3/53
AGS2035AA	. Washer, shakeproof							2	—	RA3/54
HC500	. TAG							20	—	RA3/55
HC510	. TAG							1	—	RA3/56
HC304	. TAG							1	—	RA3/57
R W26424	. TRANSFORMER, power factor, type 1571							1	—	RA3/58

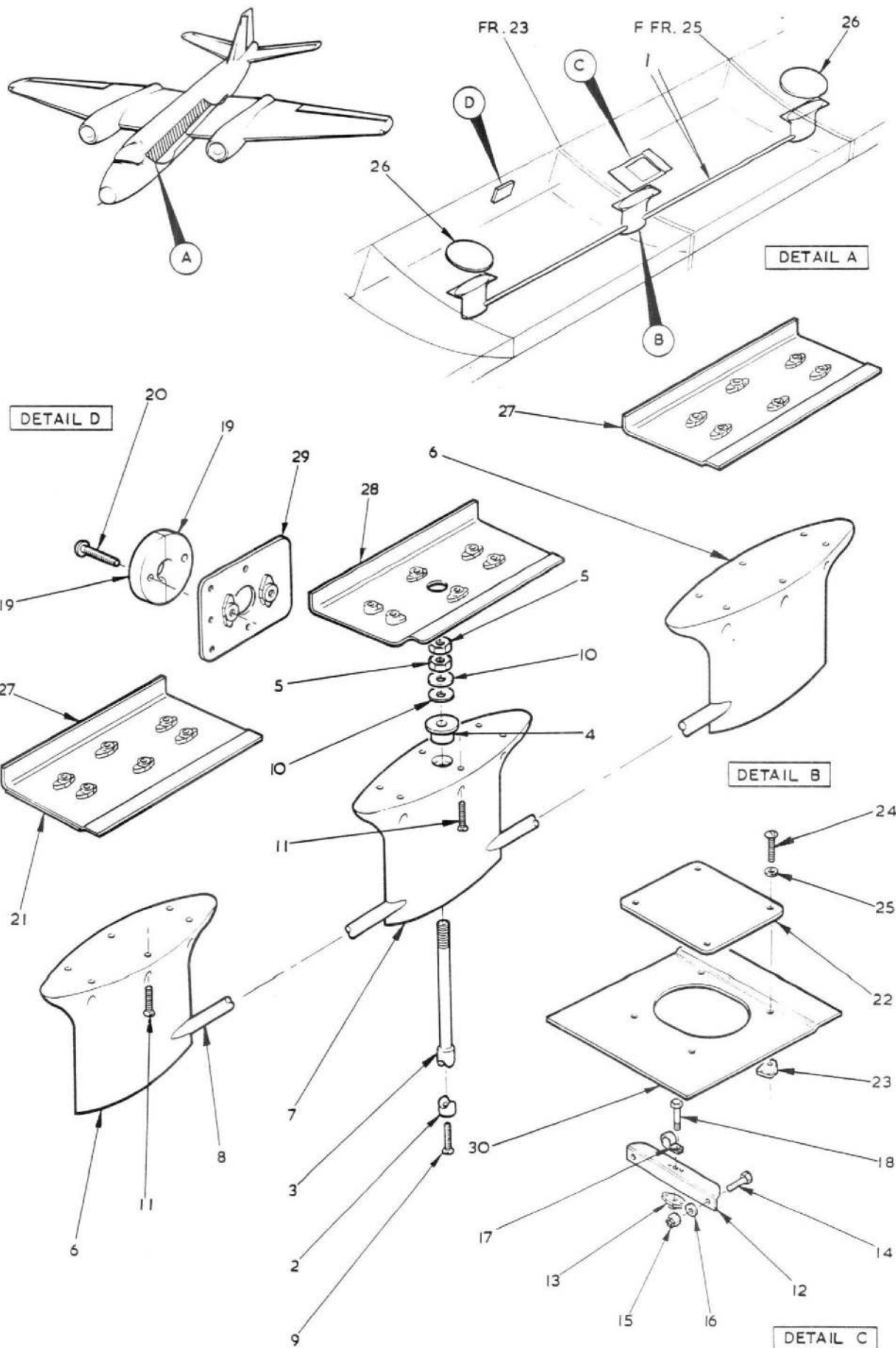


FIG 4 SENSE AERIAL BOMB DOOR STBD.

CODE R

SECT. RA

This file was downloaded
from the RTFM Library.

Link: www.scottbouch.com/rtfm

Please see site for usage terms,
and more aircraft documents.

