

## CABIN PRESSURE SYSTEM - FRONT FUSELAGE

Part Number	Description	No. Off	Mati. Spec.	Plate No.	
					1
EA3.75.141	CABIN PRESSURE SYSTEM ASSEMBLY, FRONT FUSELAGE (Pre. Mod.2523)	—	—		
EA3.04.9535	CABIN PRESSURE SYSTEM ASSEMBLY, FRONT FUSELAGE (Mod.2523-S.O.O.)	—	—		
GODFREY 22688	ADAPTOR, water extractor drain (Mod.2523-S.O.O.)	1	—	SB1/1	
AGS1142B	ADAPTOR, nipple (Mod.2523-S.O.O.)	2	—	SB1/2	
EA3.75.83	ADAPTOR	1	—	SB1/3	
	Attaching parts for EA3.75.83:				
A25/2C	Bolt, 2BA	1	—	SB1/4	
A25/5C	Bolt, 2BA	5	—	SB1/5	
AGS2001C1/66	Nut, 2BA	5	—	SB1/6	
SP47C	Washer, spring	1	—	SB1/7	
EA3.75.539	AIR, DISTRIBUTION, CABIN ASSEMBLY (Mod.1272) (Pre Mod.2523)	—	—		
	Spares for:				
EEAS136	BRACKET	2	—		
EA3.75.547	BRACKET, assembly	1	—		
AS4526/16	CLIP, pipe, 1" (Alt. R60/91 - Mod.5097)	3	—		
AS3181/16C	CLIP, pipe	1	—		
AS3181/20C	CLIP, pipe	12	—		
SP91C	CLIP, pipe	2	—		
SP91J	CLIP, pipe	2	—		
SP144/028	CLIP	15	—		
EA3.75.145	CONNECTION, rubber	1	Silastic		
EA3.75.143	CONNECTION, rubber	1	Silastic		
EB7.75.5301	DIFFUSER, NAVIGATOR'S ASSEMBLY (Mod.4045)	—	—		
	Spares for:				
EB7.75.51	BRACKET, diffuser mounting (pre. Mod.4868)	1	L72		
	Attaching parts for EB7.75.51:				
R S971.6R3/16	Screw, PK	6	—		
EA3.75.89	CLIP (Pre. Mod.4868)	2	L72		
	Attaching parts for EA3.75.89:				
A25/3C	Bolt, 2BA	2	—		
AGS2001C1/66	Nut, 2BA	2	—		
R EB7.75.5299	DIFFUSER, ASSEMBLY	1	—		
	Spares for:				
EB7.75.27	Screw, grub	1	—		
EB7.75.83	FAIRLEAD, navigator's fishtail connecting pipe at frame 4	1	LFS21		
	Attaching parts for EB7.75.83:				
A25/2B	Bolt, 4BA	4	—		
AGS2001B1	Nut, 4BA	4	—		
EB7.75.43	FISHTAIL, NAVIGATOR'S ASSEMBLY	—	—		
	Spares for:				
EB7.75.49	FISHTAIL	1	—		
	Attaching parts for EB7.75.49:				
A25/1C	Bolt, 2BA	2	—		
AGS2001C1/66	Nut, 2BA	2	—		
SP13C	Washer	1	—		
EA3.75.549	FISHTAIL, PILOT'S ASSEMBLY	—	—		
	Spares for:				
EA3.75.551	FISHTAIL	1	L54		

## CABIN PRESSURE SYSTEM - FRONT FUSELAGE

Part Number	Description	No. Off	Matl. Spec.	Plate No.
R DTD 900/6005 EB7.75.55	. . . LAGGING, fibreglass blanket . . . LOUVRE, punkah, type DAR2 Attaching parts for EB7.75.55:	QR 1	— —	
R AS1246/4B AGS2001B1	. . . Bolt, 4BA . . . Nut, 4BA	3 3	— —	
EB7.75.61	. . . LOUVRE, PILOT'S (PEDAL GUARD) ASSEMBLY Spares for:	—	—	
EB7.75.41	. . . BRACKET, punkah louvre mounting Attaching parts for EB7.75.41:	1	—	
AS1246/1C AGS2001C1/66	. . . Bolt, 2BA . . . Nut, 2BA	3 3	— —	
THERMOTANK DAR2	. . . LOUVRE, punkah Attaching parts for DAR2:	1	—	
AS2922/4B AGS2001B1 SP14B	. . . Bolt, 4BA . . . Nut, 4BA . . . Washer	3 3 3	— — —	
EB7.75.65	. . . LOUVRE, PILOT'S (STARBOARD SIDE) ASSEMBLY Spares for:	—	—	
EB7.75.33	. . . BOX, louvre, assembly Attaching parts for EB7.75.33:	1	—	
A25/5C AGS2001C1/66 AS2811/5/046	. . . Bolt, 2BA . . . Nut, 2BA . . . Piece, distance	2 2 2	— — LM	
EB7.75.35 EB7.75.37	. . . BRACKET, punkah louvre mounting . . . BRACKET, punkah louvre mounting Attaching parts for EB7.75.35 and EB7.75.37:	1 1	— —	
4101/10R3/8	. . . Screw, self tapping	1	—	
EB7.75.523	. . . BRACKET, demand, oxygen hose clip attachment Attaching parts for EB7.75.523:	1	—	
A25/1B AGS2001B1 SP13B	. . . Bolt, 4BA . . . Nut, 4BA . . . Washer	1 1 1	— — —	
EB7.75.55	. . . LOUVRE, punkah type DAR2 Attaching parts for EB7.75.55:	1	—	
AS2922/3B SP14B	. . . Bolt, 4BA . . . Washer	3 3	— —	
EA3.75.443	. . . PIPE, BRANCH, MAIN, ASSEMBLY Spares for:	1	—	
EA3.75.445	. . . PIPE, assembly	1	—	
EA3.75.447	. . . PIPE, from main branch pipe for pilot's and navigator's louvres	1	L54	
EA3.75.489	. . . PIPE, branch, pilot's and navigator's louvres	1	—	
EA3.75.559	. . . PIPE, flexible, from main branch pipe at frame 2 to branch pipe connection for navigator's fishtail and louvre (Mod.1272) (Pre. Mod.5236)	1	Bell Asbestos	

## CABIN PRESSURE SYSTEM - FRONT FUSELAGE

Part Number	Description	No. Off	Mati. Spec.	Plate No.
EA3.75.699	. . PIPE, flexible, from main branch pipe at frame 2 to branch pipe connection for navigator's fishtail and louvre (Mod.5236)	1	Bell Asbestos	
R EB7.75.233	. . PIPE, flexible, from branch pipe to pilot's louvre (Pre Mod.5236)	1	Bell Asbestos	
R EA3.75.677	. . PIPE, flexible, from branch pipe to pilot's louvre (Mod.5236)	1	Bell Asbestos	
EB7.75.223	. . PIPE, flexible for pilot's fishtail (Pre Mod.5236)	1	Bell Asbestos	
EA3.75.685	. . PIPE, flexible for pilot's fishtail (Mod.5236)	1	Bell Asbestos	
EB7.75.71	. . PIPE, branch, for pilot's louvre pedal guard	1	L54	
EB7.75.237	. . PIPE, flexible, between pilot's louvre branch pipe (pre Mod.5236)	1	Bells Asbestos	
EA3.75.679	. . PIPE, flexible, between pilot's louvre branch pipe (Mod.5236)	1	Bells Asbestos	
EA3.75.541	. . PIPE, flexible, navigator's punkah louvre (pre Mod.5236)	1	Bells Asbestos	
EA3.75.683	. . PIPE, flexible, navigator's punkah louvre (Mod.5236)	1	Bells Asbestos	
EA3.75.561	. . PIPE, branch for navigator's fishtail (Mod.1272)	1	L54	
EB7.75.77	. . PIPE, connecting navigator's fishtail	1	L54	
EA2.75.871	. . PIPE, flexible, between diffuser branch pipes at frame 4 (Pre Mod.5236)	1	Bells Asbestos	
EA3.75.687	. . PIPE, flexible, between diffuser branch pipes at frame 4 (Mod.5236)	1	Bells Asbestos	
EB7.75.5303	. . PIPE, flexible from branch pipe to navigator's diffuser (Mod.4045) (Pre Mod.4868) or (Mod.5204) (Pre Mod.5236)	1	Bells Asbestos	
†	. . PIPE, flexible, from branch pipe to navigator's diffuser (SRIM.3479) (Mod.4868 - S'O.O.) or (Mod.5204-S.O.O.) (Make from Ref. 34324)	1	-	
EA3.75.683	. . PIPE, flexible, from branch pipe to navigator's duffuser (Mod.5236)	1	Bells Asbestos	
R EA3.75.453	PIPE, assembly Consisting of:	1	-	
R AGS805/2	CLIP, jubilee	2	-	
R EA3.75.525	PIPE, non metallic (Alt R60/75)	1	-	
R EA3.75.455	PIPE, branch, assembly	1	-	
R EA3.75.453/A	WASHER, asbestos	1	-	
EEAS66/3	. . RING, clamping	4	L72	
EA3.75.177	. BRACKET, pipe support clip	4	-	SB2/1
EA3.75.283	. BRACKET, pipe support Attaching parts for EA3.75.283:	1	-	SB2/2
A25/2C	. Bolt, 2BA	3	-	SB2/3
AGS2001C1/66	. Nut, 2BA	3	-	SB2/4
SP15C	. WASHER	3	-	SB2/5
EA3.75.547	. BRACKET, pipe support (Mod.2523-S.O.O.)	1	-	SB3/1
EB6.75.369	. BRACKET, assembly, support forward water extractor (Mod.2523-S.O.O.) Attaching parts for EB6.75.369:	1	-	SB1/8
A25/11C	. Bolt, 3BA	4	-	SB1/9
AGS2001C1/66	. Nut, 2BA	4	-	SB1/10
AS2811/5/093	. Piece, distance	4	-	SB1/11
SP15C	. Washer	4	-	SB1/12
EB6.75.591	. BRACKET, assembly, support aft water extractor (Mod.2523-S.O.O.) Attaching parts for EB6.75.591:	1	-	SB1/13
A25/11C	. Bolt, 2BA	3	-	SB1/14
AGS2001C1/66	. Nut, 2BA	3	-	SB1/15
AS2811/5/093	. Piece, distance	3	-	SB1/16
SP15C	. Washer	3	-	SB1/17

## CABIN PRESSURE SYSTEM - FRONT FUSELAGE

Part Number	Description	No. Off	Matl. Spec.	Plate No.
EB6.75.621	. BRACKET, assembly (Mod.2523-S.O.O.) Attaching parts for EB6.75.621:	1	—	SB2/6
AS1246/1/2/B	. Bolt, 4BA	2	—	SB2/7
AGS2001B2	. Nut, 4BA	2	—	SB2/8
EB6.75.699	. BRACKET, pipe support, frame 12A (Mod.2523-S.O.O.) Attaching parts for EB6.75.699:—	1	—	SB1/18
A25/1C	. Bolt, 2BA	2	—	SB1/19
AGS2001C1/66	. Nut, 2BA	2	—	SB1/20
SP15C	. Washer	2	—	SB1/21
EB6.75.697	. BRACKET, pipe support, frame 12A (Mod.2523-S.O.O.) Attaching parts for EB6.75.697:	1	—	SB1/22
A25/1B	. Bolt, 4BA	2	—	SB1/23
AGS2001B1	. Nut, stiff, 4BA	3	—	SB1/24
SP15B	. Washer	2	—	SB1/25
EA3.75.79	. BRACKET, pressure pipe mounting at frame 10 (Pre Mod.2523)	1	L72	
EA3.75.81	. CLIP, special, for cabin pressure pipe at frame 10 (Pre Mod.2523) Attaching parts for EA3.75.79 and EA3.75.81:	1	L72	
A25/1C	. Bolt, 2BA	1	—	
AGS2001C1/66	. Nut, 2BA	1	—	
SP15C	. Washer	1	—	
EA3.75.421	. CABIN PRESSURE, STATIC LINE INSTALLATION Spares for:	—	—	SB4/1
EA3.80.2473	. BRACKET Attaching parts for EA3.80.2473:	1	—	SB4/2
A25/1B	. Bolt, 4BA	2	—	SB4/3
A27BP	. Nut, 4BA	2	—	SB4/4
SP47B	. Washer	2	—	SB4/5
AGS838/9	. Bush, rubber	20	—	SB4/6
EEAS136	. CLEAT, angle	3	—	SB4/7
EEAS91/2	. CLIP, pipe, double	13	—	SB4/8
AS4525/5	. CLIP, pipe (Alt.R60/91-Mod.5097) Attaching parts for EEAS91/2 and EEAS112/7:	8	—	SB4/9
A61/1B	. Bolt, 4BA	1	—	SB4/10
AGS2001B3	. Nut, 4BA	1	—	SB4/11
EA3.80.1649	. PIPE, drain at tee coupling aft of frame A tee and coupling for master control valve at pressure bulkhead	2	L54	SB4/12
EA3.80.1965	. PIPE, assembly, static vent from coupling tee to master control valve at pressure bulkhead	1	DTD232	SB4/13
EA3.80.1967	. PIPE, static vent, from running coupling aft of frame 5 to running coupling aft of frame 7	1	L56	SB4/14
EA3.80.1969	. PIPE, static vent from running coupling aft of frame 4 to running coupling aft of frame 5	1	L56	SB4/15
EA3.80.1971	. PIPE, static vent, from drain tee connection aft of frame A to running coupling aft of frame 4	1	L56	SB4/16

AP101B-0402-3A

## SERVICES

## CABIN PRESSURE SYSTEM - FRONT FUSELAGE

Part Number	Description	No. Off	Matl. Spec.	Plate No.
EA3.80.1973	. . PIPE, static vent, from nose tee piece at frame B to drain tee connection aft of frame A	1	L56	SB4/17
EA3.80.1977	. . PIPE, static vent, from nose tee piece at frame B to starboard connection in side of fuselage (Pre-Mod 5197)	1	L56	SB4/18
EA3.80.6687	. . PIPE, static vent, from nose tee piece at frame B to starboard connection in side of fuselage (Mod 5197)	1	L54	
EA3.80.1975	. . PIPE, static, from nose tee piece at frame B to port connection in side of fuselage (Pre-Mod 5197)	1	L56	SB4/19
EA3.80.6885	. . PIPE, static, from nose tee piece at frame B to port connection in side of fuselage (Mod 5197)	1	L54	
EA3.90.1995	. . PIPE, static, to tee piece at pressure bulkhead	1	-	SB4/20
AGS838/3	. . UNION, elbow	2	-	SB4/21
AGS838/1	. . UNION, straight	3	-	SB4/22
AGS838/2	. . UNION, tee	3	-	SB4/23
AGS838/13	. . UNION, nut	20	-	SB4/24
EA1.75.105	. CLIP, special for cabin pressure pipe (Pre-Mod 2523)	5	-	
EA1.75.105	. CLIP, pipe at frames 2 and 6 (Mod 2523-S.O.O.) Attaching parts for EA1.75.105:-	2	-	SB2/9
A25/1C	. Bolt, 2BA	2	-	SB2/10
AGS2001C1/66	. Nut, 2BA	2	-	SB2/11
SP15C	. Washer	2	-	SB2/12
EA2.75.37	. CLIP, pipe 1½" dia Attaching parts for EA2.75.37:-	5	-	SB2/13
A25/1C	. Bolt, 2BA	2	-	SB2/14
A25/2C	. Bolt, 2BA	2	-	SB2/15
AGS2001C1/66	. Nut, 2BA	2	-	SB2/16
SP15C	. Washer	2	-	SB2/17
AS4525/3	. CLIP Attaching parts for AS4525/3:-	5	-	SB1/26
A25/1B	. Bolt	1	-	SB1/27
AGS2001B1	. Nut	1	-	SB1/28
SP15B	. Washer	1	-	SB1/29
AS3181/20C	. CLIP (Mod 2523-S.O.O.) Attaching parts for AS3181/20C:-	12	-	SB2/18 SB3/2
A25/1C	. Bolt, 2BA (as required)	1	-	SB2/19
AGS2001C1/66	. Nut, 2BA (as required)	1	-	SB3/3 SB2/20
4101/BR¼	. Screw, self tapping (as required)	1	-	SE3/4 SE3/5
4101/BR3/8	. Screw, self tapping (as required)	1	-	SE2/21
SP15C	. Washer (as required)	1	-	SE2/22 SB3/6
EB7.75.505	. CLIP (Mod 2523-S.O.O.) Attaching parts for EB7.75.505:-	4	-	SB4/13
A61/2B	. Bolt, 4BA	1	-	SB3/8
AGS2001B3	. Nut, 4BA	1	-	SB3/9
SP15B	. Washer	1	-	SB3/10
EB7.75.507	. CLIP (Mod 2523-S.O.O.) Attaching parts for EB7.75.507:-	3	-	SB2/23
A61/2B	. Bolt, 4BA	1	-	SB2/24
AGS2001B3	. Nut, 4BA	1	-	SB2/25
SP15B	. Washer	1	-	SB2/26

R

## CABIN PRESSURE SYSTEM - FRONT FUSELAGE

Part Number	Description	No. Off	Matl. Spec.	Plate No.
R AS4525/16	. CLIP (Mod 2523-S.O.O.) Attaching parts for AS4525/16:-	3	-	SB3/11
R A25/1B	. Bolt, 4BA	2	-	SB3/12
AGS2001B1	. Nut, 4BA	2	-	SB3/13
SP15B	. Washer	2	-	SB3/14
AS3181/16C	. CLIP (Mod 2523-S.O.O.) Attaching parts for AS3181/16C:-	2	-	SB2/27
A25/1C	. Bolt, 2BA	1	-	SB2/28
AGS2001C1/66	. Nut, 2BA	1	-	SB2/29
SP15C	. Washer	1	-	SB2/30
SP91C	. CLIP (Mod 2523-S.O.O.)	2	-	SB3/15
SP144/028	. CLIP (Mod 2523-S.O.O.)	19	-	SB2/31
SP19J	. CLIP	13	-	SB3/16
SP91L	. CLIP	26	-	SB2/32
				SB2/33
				SB3/17
				SB1/30
SP91N	. CLIP (Mod 2523-S.O.O.)	13	-	SB2/34
				SB3/18
				SB1/31
SP91P	. CLIP (Mod 2523-S.O.O.)	8	-	SB1/32
SP91R	. CLIP (Mod 2523-S.O.O.)	2	-	SB1/33
EB6.75.623	. CLIP, pipe (Mod 2523-S.O.O.) Attaching parts for EB6.75.623:-	1	-	SB2/35
AS1246/½B	. Bolt, 4BA	2	-	SB2/36
AGS2001B2	. Nut, 4BA	2	-	SB2/37
AGS1104A	. CONE, adaptor	2	-	SB1/34
AGS1159A	. CONE, cap	1	-	SB1/35
EA3.75.145	. CONNECTION, rubber (Pre-Mod 2523)	6	Silastic	
EA3.75.145	. CONNECTION, rubber (Mod 2523-S.O.O.)	5	Silastic	SB2/38
R EA3.75.147	. CONNECTION, rubber 2.5" I'D x 3.0" long	5	Silastic	SB1/36
or				SB3/19
R DUNLOP				
R DAS582/40/3,0				
EB7.75.125	. CONNECTOR, flanged, for main pipe at frame 3 LH (Mod 2523-S.O.O.)	1	Glass cloth	SB3/20
EB7.75.126	. CONNECTOR, flanged, for main pipe at frame 4 RH (Mod 2523-S.O.O.)	1	Glass cloth	SB3/21
EB7.75.127	. CONNECTOR, flanged for main pipe at frame 5 (Mod 2523-S.O.O.) Attaching parts for EB7.75.125, EB7.75.126 and EB7.75.127:-	1	-	SB3/22
A25/2B	. Bolt, 4BA	6	-	SB3/23
AGS2001B1	. Nut, 4BA	6	-	SB3/24
SP15B	. Washer	6	-	SB3/25
EB6.75.379	. COUPLING, water extractor, drain pipe outlet aft of frame 10 (Mod 2523-S.O.O.)	1	-	SB1/37
EB7.75.53	. DIFFUSER, NAVIGATOR'S ASSEMBLY (MOD 2523-S.O.O.) Spares for:-	1	-	SB3/26
EB7.75.51	. BRACKET Attaching parts for EB7.75.51:-	1	L72	SB3/27
S971.6R. <sup>3</sup> / <sub>16</sub>	. Screw, PK	6	-	SB3/28
EA3.75.89	. CLIP Attaching parts for EA3.75.89:-	2	L72	SB3/29
A25/3C	. Bolt, 2BA	2	-	SB3/30
AGS2001C1/66	. Nut, 2BA	2	-	SB3/31
EB7.75.23	. DIFFUSER, assembly	1	-	SB3/32

## CABIN PRESSURE SYSTEM - FRONT FUSELAGE

Part Number	Description	No. Off	Matl. Spec.	Plate No.	
					1
EB7.75.63	. DIFFUSER, PILOT'S ASSEMBLY (Mod.2523-S.O.O.) Spares for:	—	—	SB3/33	
EB7.75.29	. . BRACKET, diffuser, mounting Attaching parts for EB7.75.29:	1	L59	SB3/34	
AS1246/1B	. . Bolt, 4BA	2	—	SB3/35	
AGS2001B1	. . Nut, 4BA	2	—	SB3/36	
SP13B	. . Washer	2	—	SB3/37	
EB7.75.31	. . CLIP, diffuser retaining Attaching parts for EB7.75.31:	1	L59	SB3/38	
A25/10C	. . Bolt, 2BA	1	—	SB3/39	
AGS2001C1/66	. . Nut, 2BA	1	—	SB3/40	
AS2811/5/095	. . Tube, distance	1	—	SB3/41	
SP13C	. . Washer	1	—	SB3/42	
EB7.75.23	. . DIFFUSER, assembly	1	—	SB3/43	
GODFREY 22697B	. . EXTRACTOR, water, type W.E.30 Mk.2 (Mod.2523-S.O.O.)	1	—	SB1/38	
EB7.75.83	. . FAIRLEAD, navigator's fishtail connecting pipe at frame 4 (Mod.2523-S.O.O.) Attaching parts for EB7.75.83:	1	LFS21	SB3/44	
A25/2B	. . Bolt, 4BA	4	—	SB3/45	
AGS2001B1	. . Nut, 4BA	4	—	SB3/46	
EB7.75.43	. . FISHTAIL, NAVIGATOR'S ASSEMBLY (Mod.2523-S.O.O.) Spares for:	—	—	SB3/47	
EB7.75.49	. . FISHTAIL Attaching parts for EB7.75.49:	1	—	SB3/48	
A25/1C	. . Bolt, 2BA	2	—	SB3/49	
AGS2001C1/66	. . Nut, 2BA	2	—	SB3/50	
SP13C	. . Washer	1	—	SB3/51	
EB7.75.59	. . FISHTAIL, PILOT'S ASSEMBLY (Mod.2523-S.O.O.) Spares for:	—	—	SB3/39	
EB7.75.21	. . FISHTAIL, pilot's diffuser Attaching parts for EB7.75.21:	1	—	SB2/40	
A25/1B	. . Bolt, 4BA	4	—	SB2/41	
EA3.75.295	. LAGGING (pre Mod.2523) (Make from Ref.32B/1270)	1	—		
EA3.75.297	. LAGGING (pre Mod.2523) (Make from Ref.32B/1270)	1	—		
EA3.75.291	. LAGGING (pre Mod.2523) (Make from Ref.32B/1270)	1	—		
EA3.75.293	. LAGGING (pre Mod.2523) (Make from Ref.32B/1250460)	1	—		
DTD 900/6005	. LAGGING, fibreglass blanket (Pre Mod.2523)	QR	—		
EB6.75.385	. LAGGING (Mod.2523-S.O.O.)	1	—	SB1/39	
EB6.75.387	. LAGGING (Mod.2523-S.O.O.)	1	—	SB1/40	
EB6.75.389	. LAGGING (Mod.2523-S.O.O.)	1	—	SB1/41	
EB6.75.391	. LAGGING (Mod.2523-S.O.O.)	1	—	SB1/42	
EB6.75.393	. LAGGING (Mod.2523-S.O.O.)	1	—	SB1/43	
EB6.75.395	. LAGGING (Mod.2523-S.O.O.)	1	—	SB1/44	

## CABIN PRESSURE SYSTEM - FRONT FUSELAGE

Part Number	Description	No. Off	Matl. Spec.	Plate No.
EB6.75.397A	. LAGGING (Mod.2523-S.O.O.)	1	—	SB1/45
EB6.75.399A	. LAGGING (Mod.2523-S.O.O.)	1	—	SB1/46
EB6.75.619	. LAGGING (Mod.2523-S.O.O.)	1	—	SB1/47
EB7.75.155A	. LAGGING (Mod.2523-S.O.O.)	1	—	SB3/52
EB7.75.157A	. LAGGING (Mod.2523-S.O.O.)	1	—	SB3/53
EB7.75.159A	. LAGGING (Mod.2523-S.O.O.)	1	—	SB3/54
EB7.75.195A	. LAGGING (Mod.2523-S.O.O.)	1	—	SB3/55
EB7.75.197A	. LAGGING (Mod.2523-S.O.O.)	1	—	SB3/56
EB7.75.199A	. LAGGING (Mod.2523-S.O.O.)	2	—	SB3/57
EB7.75.201A	. LAGGING (Mod.2523-S.O.O.)	2	—	SB3/58
EB7.75.203A	. LAGGING (Mod.2523-S.O.O.)	2	—	SB3/59
EB7.75.205A	. LAGGING (Mod.2523-S.O.O.)	2	—	SB2/42
EB7.75.207A	. LAGGING (Mod.2523-S.O.O.)	2	—	SB2/43
EB7.75.209A	. LAGGING (Mod.2523-S.O.O.)	1	—	SB2/44
EB7.75.211A	. LAGGING (Mod.2523-S.O.O.)	1	—	SB2/45
EB7.75.213A	. LAGGING (Mod.2523-S.O.O.)	1	—	SB2/46
EB7.75.215A	. LAGGING (Mod.2523-S.O.O.)	1	—	SB2/47
EB7.75.219A	. LAGGING (Mod.2523-S.O.O.)	1	—	SB2/48
EB7.75.415A	. LAGGING (Mod.2523-S.O.O.)	8	—	SB1/48
EB7.75.509A	. LAGGING (Mod.2523-S.O.O.)	1	—	SB1/49
EB7.75.511A	. LAGGING (Mod.2523-S.O.O.)	1	—	SB2/49
EB7.75.513A	. LAGGING (Mod.2523-S.O.O.)	1	—	SB2/50
EB7.75.525A	. LAGGING (Mod.2523-S.O.O.)	1	—	SB3/60
EB7.75.597A	. LAGGING (Mod.2523-S.O.O.)	2	—	SB2/51
EB7.75.697A	. LAGGING (Mod.2523-S.O.O.)	1	—	SB1/50
EB7.75.805A	. LAGGING (Mod.2523-S.O.O.)	1	—	SB2/52
EB7.75.67	. LOUVRE, NAVIGATOR'S ASSEMBLY (Mod.2523-S.O.O.)	—	—	SB3/61
	Spares for:			
EB7.75.47	. . BOX, 'punkah' louvre mounting	1	—	SB3/62
EB7.75.517	. . BRACKET, mounting, louvre, assembly	1	—	SB3/63
EB7.75.55	. . LOUVRE, 'punkah', type DAR2	1	—	SB3/64
	Attaching parts for EB7.75.55:			
AS2922/4B	. . Bolt, 4BA	3	—	SB3/65
SP14B	. . Washer	3	—	SB3/66
EB7.75.61	. LOUVRE, PILOT'S (PEDAL GUARD), ASSEMBLY (Mod.2523-S.O.O.)	—	—	SB5/1
	Spares for:			
EB7.75.41	. . BRACKET, punkah louvre mounting	1	—	SB5/2
	Attaching parts for EB7.75.41:			
AS1246/1C	. . Bolt, 2BA	3	—	SB5/3
AGS2001C1/66	. . Nut, 2BA	3	—	SB5/4
THERMO TANK DAR2	. . LOUVRE, punkah	1	—	SB5/5
	Attaching parts for DAR2:—			
AS2922/4B	. . Bolt, 4BA	3	—	SB5/6
AGS2001B1	. . Nut, 4BA	3	—	SB5/7
SP14B	. . Washer	3	—	SB5/8
EB7.75.65	. LOUVRE, PILOT'S (STARBOARD SIDE), ASSEMBLY (Mod.2523-S.O.O.)	—	—	SB5/9
	Spares for:			
EB7.75.33	. . BOX, louvre assembly	1	—	SB5/10
	Attaching parts for EB7.75.33:			
A25/5C	. . Bolt, 2BA	2	—	SB5/11
AGS2001C1/66	. . Nut, 2BA	2	—	SB5/12
AS2811/5/046	. . Piece, distance	2	—	SB5/13

## CABIN PRESSURE SYSTEM - FRONT FUSELAGE

Part Number	Description	No. Off	Matl. Spec.	Plate No.
EB7.75.35	. . BRACKET, punkah louvre mounting	1	—	SB5/14
EB7.75.37	. . BRACKET, punkah louvre mounting	1	—	SB5/15
4101/10R3/8	. . Attaching parts for EB7.75 and EB7.75.37: . . Screw, self tapping	1	—	SB5/16
EB7.75.523	. . BRACKET, demand, oxygen hose clip attachment . . Attaching parts for EB7.75.523:	1	—	SE5/17
A25/1B	. . Bolt, 4BA	1	—	SB5/18
AGS2001B1	. . Nut, 4BA	1	—	SB5/19
SP13B	. . Washer	1	—	SB5/20
EB7.75.55	. . LOUVRE, punkah, type DAR2 . . Attaching parts for EB7.75.55:	1	—	SB5/21
AS2922/3B	. . Bolt, 4BA	3	—	SB5/22
SP14B	. . Washer	3	—	SB5/23
EA3.75.167	. . NOZZLE, hot air, bomb aimer's window	1	—	SB2/53
AGS2001C1/66	. . NUT, 2BA (Mod.2523-S.O.O.)	2	—	SB1/51
AS2811/5/093	. . PIECE, distance (Mod.2523-S.O.O.)	2	—	SB1/52
SP90C5	. . PIN, split 1/16" dia (Mod.2523-S.O.O.)	3	—	SB1/53
EA3.75.73	. . PIPE, assembly, from pressure bulkhead connection to rubber joint aft of frame 6 (Pre Mod.2523)	1	L59	
EA3.75.77	. . PIPE, from transport rubber, joint to rubber joint aft of frame 10 (Pre Mod.2523)	1	L59	
EA3.75.155	. . PIPE, from rubber joint aft of frame 6 to rubber joint aft of frame 5 (Pre Mod.2523)	1	L56	
EA3.75.171	. . PIPE, elbow for cabin at frame 2 (Pre Mod.2523)	1	L54	
EA3.75.571	. . PIPE, from rubber joint aft of frame 5 to flanged joint at frame 4 (Pre Mod.2523) (Alt R60/75)	1	Glass cloth	
EA3.75.309	. . PIPE, elbow from rubber joint aft of frame 10 to rubber joint aft of frame 9 (Pre Mod.2523)	1	L59	
EA3.75.311	. . PIPE, flanged elbow, from rubber joint aft of frame 9 to non-return valve (Pre Mod.2523)	1	L59	
EA3.75.279	. . PIPE, bend, between nose frames A and B	1	—	SB2/54
EA3.75.281	. . PIPE, bend, at nose frame B	1	—	SB2/55
EB6.75.367	. . PIPE, water extractor drain (Mod.2523-S.O.O.)	1	—	SB1/54
EB6.75.587	. . PIPE, bend, between Nomalair non-return valve and hose coupling at frame 9 (Mod.2523-S.O.O.)	1	Glass cloth	SB1/55
EB6.75.589	. . PIPE, bend, from water extractor forward coupling to hose coupling at frame 9 (Mod.2523-S.O.O.)	1	Glass cloth	SB1/56
EB6.75.591	. . PIPE, bend, from hose coupling between frames 11 and 12A, to coupling aft to frame 12A (Mod.2523-S.O.O.)	1	Glass cloth	SB1/57
EB6.75.593	. . PIPE, from water extractor aft coupling to coupling between frames 11 and 12A (Mod.2523-S.O.O.)	1	Glass cloth	SB1/58
EB6.75.595	. . PIPE, main continuation between frames 3 and 4 (Mod.2523-S.O.O.) (Alt R60/75)	1	Glass cloth	SB3/67

## SERVICES

## CABIN PRESSURE SYSTEM - FRONT FUSELAGE

Part Number	Description	No. Off	Mati. Spec.	Plate No.
EB7.75.69	. PIPE, branch, assembly, for pilot's louvre, navigator's diffuser and canopy demisting (Mod.2523-S.O.O.)	1	—	SP2/56
EB7.75.71	. PIPE, branch, for pilot's louvre (pedal guard) (Mod.2523-S.O.O.)	1	—	SB2/57
EB7.75.79	. PIPE, flanged, canopy demisting at frame 2 (Mod.2523-S.O.O.)	1	—	SB2/58 SB3/68
EB7.75.89	. PIPE, branch, main, between frames 1 and 2, for diffusers and canopy demisting (Mod.2523-S.O.O.)	1	—	SB2/59
EB7.75.223	. PIPE, flexible, for pilot's fishtail (pre Mod.5236) (Mod.2523-S.O.O.)	1	Bells Asbestos	SB2/60
EA3.75.685	. PIPE, flexible, for pilot's fishtail (Mod.2523-S.O.O.) (Mod.2523-S.O.O.)	1	Bells Asbestos	
EB7.75.227	. PIPE, flexible, between diffuser branch pipes at frame 4 (pre Mod.5236) (Mod.2523-S.O.O.)	1	Bells Asbestos	SB3/69
EA3.75.687	. PIPE, flexible (Mod.5236)	1	—	
EA3.75.711	. PIPE, flexible, between diffuser branch pipes at frame 4 (Mod.5236) (Mod.2523-S.O.O.)	1	Bells Asbestos	
EB7.75.229	. PIPE, flexible, from branch pipe to pilot's diffuser (pre Mod.5236) (Mod.2523-S.O.O.)	1	Bells Asbestos	SB3/70
EA3.75.673	. PIPE, flexible from branch pipe to pilot's diffuser (Mod.5236) (Mod.2523-S.O.O.)	1	Bells Asbestos	
EB7.75.231	. PIPE, flexible from branch pipe to navigator's louvre (pre Mod.5236) (Mod.2523-S.O.O.)	1	Bells Asbestos	SB3/71
EA3.75.675	. PIPE, flexible from branch pipe to navigator's louvre (Mod.5236) (Mod.2523-S.O.O.)	1	Bells Asbestos	
EB7.75.233	. PIPE, flexible from branch pipe to pilot's louvre (pre Mod.5236) (Mod.2523-S.O.O.)	1	Bells Asbestos	SB2/61
EA3.75.677	. PIPE, flexible, from branch pipe to pilot's louvre (Mod.5236) (Mod.2523-S.O.O.)	1	Bells Asbestos	
EB7.75.237	. PIPE, flexible, between pilot's louvre branch pipes (pre Mod.5236) (Mod.2523-S.O.O.)	1	Bells Asbestos	SB2/62
EA3.75.679	. PIPE, flexible, between pilot's louvre branch pipes (Mod.5236) (Mod.2523-S.O.O.)	1	Bells Asbestos	
EB7.75.239	. PIPE, flexible, from branch pipe to navigator's diffuser (pre Mod.5236) (Mod.2523-S.O.O.)	1	Bells Asbestos	SB3&2
EB7.75.781	. PIPE, main continuation, between frames 5 and 6 (Mod.2523-S.O.O.)	1	Glass cloth	SB3/73
EB7.75.783	. PIPE, flanged, main at forward face of pressure bulkhead (Mod.2523-S.O.O.)	1	Glass cloth	SB3/74
EB7.75.791	. PIPE, branch, pilot's fishtail (Mod.2523-S.O.O.) Attaching parts for EB7.75.791:	1	Glass cloth	SB2/63
A61/2B	. Bolt, 4BA	2	—	SB2/64
AGS2001C1/66	. Nut, 4BA	2	—	SB2/65
SP15B	. Washer	2	—	SB2/66

## CABIN PRESSURE SYSTEM - FRONT FUSELAGE

Part Number	Description	No. Off	Matl. Spec.	Plate No.
EA3.76.221	. PIPE, DEMISTING, INNER CANOPY, ASSEMBLY Spares for:	1	—	SB3/75
EEAS143/25	. . CLIP, pipe (pre Mod.5097)	1	L72	SB3/76
AS4525/14	. . CLIP, pipe (Alt. R60/91-Mod.5097)	1	—	
SP144/028	. . CLIP	2	—	SB3/77
EA3.76.241	. . FLANGE, assembly	1	—	SB3/78
EA3.76.253	. . PIPE, assembly Attaching parts for EA3.76.253:	1	—	SB3/79
S971/13R	. . Screw, self tapping 5-16"	7	—	SB3/80
EA3.76.223	. . VALVE, butterfly, assembly	1	—	SB3/81
EB7.75.793	. PIPE, main, continuation, between frames 4 and 5 (Mod.2523-S.O.O.)	1	Glass cloth	SB3/82
EB7.75.73	. PIPE, branch assembly, for navigator's fishtail (Mod.2523-S.O.O.)	1	L59	SB3/83
EB7.75.75	. PIPE, branch, for pilot's diffuser (pre Mod.5236) connection in cockpit (Mod.2523-S.O.O.)	1	L54	SB3/84
EB7.75.77	. PIPE, connecting navigator's fishtail (Mod.2523-S.O.O.)	1	L54	SB3/85
EA3.04.2055	. PIPE, flexible, from main branch pipe at frame 2 for pilot's and navigator's louvre (Make from Ref. 13016) (pre Mod.5236) (Mod.2523-S.O.O.)	1	Bells Asbestos	SB2/67
EA3.75.703	. PIPE, flexible from main branch pipe at frame 2 for pilot's and navigator's louvre (Mod.5236) (Mod.2523-S.O.O.)	1	Bells Asbestos	
EA3.75.287	. PIPE, pressure control valve to master unit	1	—	SB1/59
EEAS66/14	. RING, clamping (Mod.2523-S.O.O.)	8	—	SB1/60
EB7.75.129	. RING, half (Mod.2523-S.O.O.)	4	—	SB3/86
EB7.75.131	. RING, half (Mod.2523-S.O.O.)	2	—	SB3/87
EA3.75.139	. RING, retaining	1	—	SB1/61
EB6.75.381	. ROD, tension (Mod.2523-S.O.O.)	2	—	SB1/62
EA3.75.307	. SEAL, pipe flange, at frame 2 (pre Mod.2523)	2	Langite	
EB7.75.613	. SEAL, canopy demister pipe flange at frame 2 (Mod.2523-S.O.O.) Attaching parts for EA3.75.307 and EB7.75.613:	2	Asbestos	SB3/88
A25/3C	. Bolt, 2BA	6	—	SB3/89
AGS2001C1/66	. Nut, 2BA	6	—	SB3/90
SP15C	. Washer	6	—	SB3/91
AGS904A	. SLEEVE, outer	1	—	SB1/63
EB6.75.377	. STRAP (Mod.2523-S.O.O.) Attaching parts for EB6.75.377:	2	—	SB1/64
A25/11C	. Bolt, 2BA	1	—	SB1/65
AGS2001C1	. Nut, 2BA	1	—	SB1/66
AS2811/5/093	. Piece, distance	1	—	SB1/67
SP15C	. Washer	1	—	SB1/68
EEAS20/4BR	. TAB, locking (Mod.2523-S.O.O.)	1	—	SB1/69
EB6.75.383	. TRUNNION (Mod.2523-S.O.O.)	2	—	SB1/70
NORMALAIR 500326	. UNIT, master Attaching parts for 500326:	1	—	SB1/71
A25/2E	. Bolt, 1/4" BSF	2	—	SB1/72
AGS2001E1/66	. Nut, 1/4" BSF	2	—	SB1/73
SP15E	. Washer	2	—	SB1/74

CABIN PRESSURE SYSTEM - FRONT FUSELAGE

Part Number	Description	No. Off	Matl. Spec.	Plate No.
NORMALAIR 500457	. VALVE, non-return Attaching parts for 500457:	1	-	SB1/75
A25/3C	. Bolt, 2BA	2	-	SB1/76
A25/5C	. Bolt, 2BA	10	-	SB1/77
AGS2001C1/66	. Nut, 2BA	10	-	SB1/78
EB7.75.133	. Ring, half bolt (Mod.2523-S.O.O.)	2	-	SB1/79
EA1.75.131	. Washer, jointing	2	Langite	SB1/80
SP15C	. Washer	12	-	SB1/81
SP47C	. Washer	2	-	SB1/82
NORMALAIR 493020	. VALVE, pressure control (pre Mod.3955)	1	-	
NORMALAIR 527060	. VALVE, pressure control (Mod.3955) Attaching parts for 527060:	1	-	SB1/83
A25/2E	. Bolt, 1/4" BSF	7	-	SB1/84
A27ET	. Nut, 1/4" BSF	1	-	SB1/85
EA3.75.573	. Stud	1	-	SB1/86
SP15E	. Washer	11	-	SB1/87
SP47E	. Washer	11	-	SB1/88
EA3.75.95	. WASHER	2	-	SB1/89
SP15C	. WASHER	2	-	SB1/90
AGS567A	. WASHER, jointing	2	-	SB1/91

R

## SERVICES

## CABIN PRESSURE SYSTEM - CENTRE FUSELAGE

Part Number	Description	No. Off	Matl. Spec.	Plate No.
EA3.75.5	CABIN, PRESSURE SYSTEM IN CENTRE FUSELAGE ASSEMBLY (PRE MOD. 2523)	—	—	
EA3.04.9559	CABIN PRESSURE SYSTEM IN CENTRE FUSELAGE ASSEMBLY (MOD. 2523-S.O.O.)	—	—	
A25/½B	Spares for:— · BOLT, 4BA (Mod. 2523-S.O.O.)	1	—	SB6/1
EB6.75.639	· BRACKET, for starboard cabin pressure wing to fuselage pipe between frames 16 and 17 (Mod. 2523-S.O.O.)	1	—	SB6/2
A25/5C	Attaching parts for EB6.75.639:— · Bolt, 2BA	2	—	SB6/3
AGS2001C1/66	· Nut, stiff, 2BA	2	—	SB6/4
SP15C	· Washer	2	—	SB6/5
EA3.75.649	· BRACKET (Mod. 2523-S.O.O.)	1	—	SB6/6
EA1.75.121	· BRACKET (Mod. 2523-S.O.O.)	3	—	SB6/7
EA3.04.9557	· BRACKET (Mod. 2523-S.O.O.)	1	—	SB6/8
EB6.11.1533	· BRACKET (Mod. 2523-S.O.O.)	1	—	SB6/9
SP91J	· CLIP (Mod. 2523-S.O.O.)	1	—	SB6/10
SP91L	· CLIP	21	—	SB6/11
SP91N	· CLIP (Mod. 2523-S.O.O.)	12	—	SB6/12
AGS1661M	· CLIP	4	—	SB6/13
EA1.75.105	· CLIP, pipe, between frames 12 to 17 Attaching parts for EA1.75.105:—	4	—	SB6/14
A25/1C	· Bolt, 2BA	2	—	SB6/15
AGS2201C1/66	· Nut, 2BA	2	—	SB6/16
SP15C	· Washer	2	—	SB6/17
EA3.75.65	· CLIP, pipe (pre Mod. 2523)	7	L72	
EA2.75.37	· CLIP, pipe, for port and starboard elbows and transverse pipe at frame 16 (Mod. 2523-S.O.O.) Attaching parts for EA3.75.65 and EA2.75.37:—	3	—	SB6/18
A25/2C	· Bolt, 2BA (as required)	2	—	SB6/19
A25/3C	· Bolt, 2BA (as required)	2	—	SB6/20
AGS2001C1/66	· Nut, 2BA	2	—	SB6/21
SP15C	· Washer	2	—	SB6/22
EB6.75.181	· CLIP, pipe, for transverse pipe at frame 16 (Mod. 2523-S.O.O.) Attaching parts for EB6.75.181:—	4	—	SB6/23
A25/2C	· Bolt, 2BA	2	—	SB6/24
AGS2001C1/66	· Nut, stiff, 2BA	2	—	SB6/25
SP15C	· Washer	2	—	SB6/26
EB6.75.183	· CLIP, special, for lagging on transverse pipe on frame 16 (Mod. 2523-S.O.O.)	6	—	SB6/27
AGS952J	· COLLAR, pipe (Mod. 2523-S.O.O.)	1	—	SB6/28
AGS1104B	· CONE, adaptor	1	—	SB6/29
R EA3.75.147	· CONNECTION, rubber, 2.5" i/d x 3" long	7	Silastic 150	SB6/30
or				
DUNLOP				
R DAS.582/40/3.0				
EA4.75.321	· CONNECTOR, straight (Mod. 2523-S.O.O.)	1	—	
EA3.75.21	· FAIRLEAD, assembly (pre Mod. 2523) Attaching parts for EA3.75.21:—	1	BSS216	
A25/3C	· Bolt, 2BA	4	—	
AGS2001C1/66	· Nut, 2BA	4	—	
SP15C	· Washer	4	—	

## CABIN PRESSURE SYSTEM - CENTRE FUSELAGE

Part Number	Description	No. Off	Matl. Spec.	Plate No.
EB6.75.641	. FAIRLEAD, assembly (Mod.2523-S.O.O.) Attaching parts for EB6.75.641:	1	—	SB6/31
A25/4C	. Bolt, 2BA	6	—	SB6/32
AGS2001C1/66	. Nut, stiff, 2BA	6	—	SB6/33
SP15C	. Washer	6	—	SB6/34
EA1.75.65	. GROMMET, electrical cable entry (pre Mod.2523)	1	Tufnol	
DTD 900/6005	. LAGGING, fibreglass blanket (pre Mod.2523)	QR	—	
EB6.75.179A	. LAGGING (Mod.2523-S.O.O.)	2	—	SB6/35
EB6.75.129A	. LAGGING (Mod.2523-S.O.O.)	1	—	SB6/36
EB6.75.131A	. LAGGING (Mod.2523-S.O.O.)	1	—	SB/637
EB6.75.133A	. LAGGING (Mod.2523-S.O.O.)	2	—	SB6/38
EB6.75.135A	. LAGGING (Mod.2523-S.O.O.)	2	—	SB6/39
EB6.75.137A	. LAGGING (Mod.2523-S.O.O.)	1	—	SB6/40
EB6.75.139A	. LAGGING (Mod.2523-S.O.O.)	1	—	SB6/41
EB6.75.141A	. LAGGING (Mod.2523-S.O.O.)	1	—	SB6/42
EB6.75.143A	. LAGGING (Mod.2523-S.O.O.)	1	—	SB6/43
EB6.75.707A	. LAGGING (Mod.2523-S.O.O.)	1	—	SB6/44
EB6.75.709A	. LAGGING (Mod.2523-S.O.O.)	1	—	SB6/45
EB6.75.5J	. LAGGING, fibre glass blanket (Mod.2523-S.O.O.)	1	—	SB6/46
EB6.75.5D	. LAGGING, fibre glass blanket (Mod.2523-S.O.O.)	1	—	SB6/47
EB6.75.5E	. LAGGING, fibre glass blanket (Mod.2523-S.O.O.)	1	—	SB6/48
EB6.75.167A	. LAGGING (Mod.2523-S.O.O.)	2	—	SB6/49
EB6.75.169A	. LAGGING (Mod.2523-S.O.O.)	2	—	SB6/50
EB6.75.5B	. LAGGING, fibre glass blanket	2	—	SB6/51
EB6.75.175A	. LAGGING (Mod.2523-S.O.O.)	1	—	SB6/52
EB6.75.177A	. LAGGING (Mod.2523-S.O.O.)	1	—	SB6/53
EB6.75.613A	. LAGGING (Mod.2523-S.O.O.)	1	—	SB6/54
EB6.75.5H	. LAGGING, fibre glass blanket	1	—	SB6/55
EB6.75.5C	. LAGGING, fibre glass blanket	1	—	SB6/56
EB6.75.5F	. LAGGING, fibre glass blanket	1	—	SB6/57
EB6.75.163A	. LAGGING (Mod.2523-S.O.O.)	1	—	SB6/58
EB6.75.165A	. LAGGING (Mod.2523-S.O.O.)	1	—	SB6/59
EB6.75.541A	. LAGGING (Mod.2523-S.O.O.)	1	—	SB6/60
EB6.75.543A	. LAGGING (Mod.2523-S.O.O.)	1	—	SB6/61
—	. LAGGING (Make from 32B/1234) (Mod.2523-S.O.O.)	QR	—	SB6/62
EB6.75.777	. LAGGING, fibre glass blanket (Mod.2523-S.O.O.)	1	—	SB6/63
EB6.75.779	. LAGGING, fibre glass blanket	1	—	SB6/64
AS3360B6B	. LEAD, bonding (Mod.2523-S.O.O.)	1	—	SB6/65
AS3360B4B	. LEAD, bonding (Mod.2523-S.O.O.)	1	—	SB6/66
EB6.75.643	. NIPPLE, special (Mod.2523-S.O.O.)	1	—	SB6/67
AGS2120H	. NIPPLE (pre Mod.2523)	1	—	
AGS1170K	. NIPPLE (Mod.2523-S.O.O.)	1	—	SB6/68
AGS1142H	. NIPPLE, adaptor (pre Mod.2523)	4	—	
AGS1142K	. NIPPLE, adaptor (Mod.2523-S.O.O.)	4	—	SB6/69
AGS1140B	. NIPPLE, plug	1	—	SB6/70
AGS1140H	. NIPPLE, plug (Mod.5081)	1	—	SB6/71
A27BP	. NUT, 4BA (Mod.2523-S.O.O.)	1	—	SB6/72
EB6.75.595	. PACKING (Mod.2523-S.O.O.)	1	—	SB6/73
EA.3.75.221	. PIECE, four-way special (pre Mod.2523)	1	DTD133C	
EB6.75.157A	. PIECE, four-way bombsight and cabin pressure air supply at frame 16 (Mod.2523-S.O.O.)	1	—	SB6/74
SP90C5	. PIN, split	1	—	SB6/75
SP90C4	. PIN, split (Mod.5081)	1	—	SB6/76

## SERVICES

## CABIN PRESSURE SYSTEM - CENTRE FUSELAGE

Part Number	Description	No. Off	Matl. Spec.	Plate No.
EA3.75.55	. PIPE, from rubber joint at frame 13 to rubber joint at frame 12	1	—	SB6/77
EA3.75.57	. PIPE, from rubber joint at frame 13 to rubber joint at frame 14 and frame 14 to frame 15	2	—	SB6/78
EA3.75.59	. PIPE, from rubber joint at frame 15 to rubber joint at frame 16	1	—	SB6/79
EA3.75.61	. PIPE, from rubber joint at frame 16 to rubber joint at elbow	1	—	SB6/80
EA3.75.63	. PIPE, elbow joint between wing and fuselage starboard (pre Mod. 2523)	1	L54	
EA3.75.203	. PIPE, assembly, from port wing connection to camera bay tee-piece, port (pre Mod. 2523)	1	L54	
EA3.75.323	. PIPE, assembly, from starboard wing connection to special, four-way union (pre Mod. 2523)	1	L54	
EA3.75.325	. PIPE, assembly, from special four-way union to running joint aft of frame 16 (pre Mod. 2523)	1	L54	
EA3.75.327	. PIPE, assembly, from running joint aft of frame 16 to camera bay tee-piece (pre Mod. 2523)	1	L54	
EB6.75.151	. PIPE, assembly from coupling forward of frame 16 to rear camera bay tee-piece (Mod. 2523-S.O.O.)	1	—	SB6/81
EB6.75.153	. PIPE, assembly, transverse from special 4-way union to joint forward of frame 16 (Mod. 2523-S.O.O.)	1	—	SB6/82
EB6.75.503	. PIPE, assembly, from port wing connection to special 4-way piece (Mod. 2523-S.O.O.)	1	—	SB6/83
EB6.75.505	. PIPE, assembly, from starboard wing connection to rear camera bay tee-piece (Mod. 2523-S.O.O.)	1	—	SB6/84
EB6.75.507	. PIPE, elbow joint between port wing and fuselage (Mod. 2523-S.O.O.)	1	—	SB6/85
AGS2111	. SLEEVE, outer (pre Mod. 5257)	1	—	SB6/86
AGS904H	. SLEEVE, outer (Mod. 5081)	1	—	SB6/87
R No27x1.0"	. TAPE, fibreglass (Apply in layers to 1/8" thick for 7" length) (AS4766)	QR	—	
AGS1119H	. UNION, tee, special (pre Mod. 2523)	1	—	SB6/87
EB6.75.823	. UNION, reducing, special, aft of frame 16 for rear camera bay air supply	1	—	SB6/88
AGS1121/1	. UNION, tee, special (Mod. 2523-S.O.O.)	1	—	SB6/89
AGS1105B	. UNION, adaptor	1	—	SB6/90
AGS1138B	. WASHER, jointing	2	—	SB6/91
EEAS27/16FR	. WASHER, packing, 16SWG (pre Mod. 2523)	3	L72	

## SERVICES

## CABIN PRESSURE AND COLD AIR SYSTEM IN STARBOARD WING

Part Number	Description	No. Off	Matl. Spec.	Plate No.	
					1
EA3.75.8	CABIN, PRESSURE SYSTEM IN STARBOARD WING, ASSEMBLY (PRE MOD.2523)	—	—		
	Spares for:				
EA3.75.65	. CLIP, special, pipe	2	—		
	Attaching parts for EA3.75.65:				
A25/1C	. Bolt, 2BA	2	—		
AGS2001C1/66	. Nut, 2BA	2	—		
SP15C	. Washer	2	—		
EA3.75.409	. ELBOW, SPECIAL, PIPE COUPLING, INBOARD ENGINE RIB, ASSEMBLY (MOD.255)	1	—		
	Spares for:				
EA3.75.419	. . CLIP, locking	1	—		
KING AIRCRAFT C2593	. . COUPLING, elbow	1	—		
or					
C5623H	. . COUPLING	1	—		
EA3.75.253	. . ELBOW	1	—		
EA3.75.53	. FAIRLEAD, at rib No.1	1	LFS		
	Attaching parts for EA3.75.53:				
A25/3C	. Bolt, 2BA	4	—		
AGS2001C1/66	. Nut, 2BA	4	—		
SP15C	. Washer	4	—		
R DTD 900/6005	. LAGGING, fibre glass blanket	QR	—		
EA3.75.389	. PIPE, assembly, between inboard engine rib coupling and aft non-return valve	1	L56		
EA3.75.387	. PIPE, assembly, from non-return valve to joint at rib No.1	1	L56		
EA3.75.397	. PIPE, assembly, from fuselage pipe coupling to coupling at wing rib No.1	1	L56		
EA3.75.117	. VALVE, non-return	1	—		
EA3.04.10941	CABIN, PRESSURE AND COLD AIR SYSTEM IN STARBOARD WING, ASSEMBLY (MOD.2523-S.O.O.)				
	Spares for:				
EB6.75.258	. BRACKET, support, non-return valve	1	L72	SB11/1	
EA3.75.177	. BRACKET	2	—	SB11/2	
G43B	. CLAMP, half	2	—	SB11/3	
or					
R EB6.75.1557	. CLAMP, assembly (Replacement Spare)	1	—		
	Attaching parts for G43B or EB6.75.1557:				
A25/15E	. Bolt	2	—	SB11/4	
AGS2001E1/66	. Nut	2	—	SE11/5	
SP13E	. Washer	2	—	SB11/6	
GODFREY 50270	. CLAMP, segmented, pipe jointing at Marston cooler	2	—	SB11/7	
EA2.75.37	. CLIP, pipe at ribs 2 and 3	2	L72	SB11/8	
	Attaching parts for EA2.75.37:				
A25/1C	. Bolt, 2BA	2	—	SB11/9	
AGS2001C1/66	. Nut, 2BA	2	—	SB11/10	
SP13C	. Washer	2	—	SB11/11	

## CABIN PRESSURE AND COLD AIR SYSTEM IN STARBOARD WING

Part Number	Description	No. Off	Matl. Spec.	Plate No.
SP91L	. CLIP	19	—	SB11/12
EB6.75.261	. CONNECTION, flanged non-return valve and fitting Attaching parts for EB6.75.261:	1	DTD683	SB11/13
A25/1C	. Bolt, 2BA	3	—	SB11/14
A25/4C	. Bolt, 2BA	3	—	SB11/15
AGS2001C1/66	. Nut, 2BA	3	—	SB11/16
SP13C	. Washer	3	—	SB11/17
SP47C	. Washer	3	—	SB11/18
EA3.75.642	. DUCTS AND AIR COOLER, ASSEMBLY (PRE MOD.4858)	—	—	SB11/19
EA3.75.5158	. DUCTS AND AIR COOLER, ASSEMBLY (MOD.4858) Spares for:	—	—	
EA3.75.640	. . DUCT, air inlet, at rib 1 (pre Mod.4858)	1	—	SB11/20
EA3.75.5156	. . DUCT, air inlet, at rib 1 (Mod.4858) Attaching parts for EA3.75.640 or EA3.75.5156:	1	—	
EEAS1/1C	. . Screw, 2BA	17	S96	SB11/21
EB6.75.329	. . DUCT, cooler, air outlet, assembly Attaching parts for EB6.75.329:	1	—	SB11/22
EEAS1/1C	. . Screw, 2BA	2	S96	SB11/23
EB6.75.318	. . INSTALLATION OF MARSTON COOLER (PRIMARY) Spares for:	—	—	SB11/24
EB6.75.344	. . . BRACKET, bottom support Attaching parts for EB6.75.344:	2	—	SB11/25
A25/16C	. . . Bolt, 2BA	2	—	SB11/26
AGS2001C1/66	. . . Nut, 2BA	2	—	SB11/27
AS2809/4/139	. . . Piece, distance	2	L62	SB11/28
SP15C	. . . Washer	2	—	SB11/29
EB6.75.346	. . . BRACKET, top attachment, assembly Attaching parts for EB6.75.346:	1	—	SB11/30
A25/16C	. . . Bolt, 2BA	3	—	SB11/31
AGS2001C1/66	. . . Nut, 2BA	3	—	SB11/32
AS2809/4/139	. . . Piece, distance	3	L62	SB11/33
SP15C	. . . Washer	3	—	SB11/34
D106/8A	. . . COOLER, primary (EB6.75.319) Attaching parts for D106/8A:	1	—	SB11/35
A25/5E	. . . Bolt, 3/4" BSF	1	—	SB11/36
EB6.75.351	. . . Washer, felt, on support bracket	2	DTD590	SB11/37
SP15E	. . . Washer	1	—	SB11/38
EB6.75.335	. . STRAP, JOINT, INLET AIR DUCT TO MARSTON COOLER, ASSEMBLY Consisting of:	2	—	SB11/39
EB6.75.337	. . . STRAP, joint	1	—	SB11/40
EB6.75.339	. . . STRAP, clamping Attaching parts for EB6.75.337 and EB6.75.339:	1	—	SB11/41
A25/8C	. . . Bolt, 2BA	2	—	SB11/42
R AGS2001C1/66	. . . Nut, 2BA	2	—	SB11/43

## CABIN PRESSURE AND COLD AIR SYSTEM IN STARBOARD WING

Part Number	Description	No. Off	Matl. Spec.	Plate No.
EA4.75.184	. ELBOW, engine connection to non-return valve Attaching parts for EA4.75.184:	1	—	SB11/44
A25/1C	. Bolt, 2BA	7	—	SB11/45
A25/2C	. Bolt, 2BA	2	—	SB11/46
A25/4C	. Bolt, 2BA	3	—	SB11/47
AGS2001C1/66	. Nut, 2BA	9	—	SB11/48
SP13C	. Washer	9	—	SB11/49
SP47C	. Washer, spring	3	—	SB11/50
EA2.75.345	. FAIRLEAD, at rib 1 Attaching parts for EA2.75.345:	2	LFS21	SB11/51
A25/3C	. Bolt, 2BA	4	—	SB11/52
AGS2001C1/66	. Nut, 2BA	4	—	SB11/53
SP13C	. Washer	4	—	SB11/54
EB7.50.25	. FITTING, end for pipe connection to hot air valve	1	DTD683	SB11/55
EB6.75.675	. GASKET, hot air valve joint	3	Aero Permanite	SB11/56
EB6.75.669	. GASKET, non-return valve joint	2	Aero Permanite	SB11/57
R EB6.75.427A	. LAGGING	1	—	SB11/58
R EB6.75.429A	. LAGGING	1	—	SB11/59
R EB6.75.435A	. LAGGING	1	—	SB11/60
R EB6.75.437A	. LAGGING	1	—	SB11/61
R EB6.75.439A	. LAGGING	1	—	SB11/62
R EB6.75.441A	. LAGGING	1	—	SB11/63
R EB6.75.443A	. LAGGING	1	—	SB11/64
R EB6.75.445A	. LAGGING	1	—	SB11/65
R EB6.75.411A	. LAGGING	1	—	SB11/66
R EB6.75.413A	. LAGGING	1	—	SB11/67
R EB6.75.415A	. LAGGING	1	—	SB11/68
R EB6.75.417A	. LAGGING	1	—	SB11/69
R EB7.75.189A	. LAGGING	2	—	SB11/70
R EB6.75.419A	. LAGGING	1	—	SB11/71
R EB6.75.421A	. LAGGING	1	—	SB11/72
R EB6.75.423A	. LAGGING	1	—	SB11/73
R EB6.75.425A	. LAGGING	1	—	SB11/74
AGS1142K	. NIPPLE, adaptor	4	—	SB11/75
EB6.75.403	. PIPE, assembly, from Marston air cooler to engine and fuselage 'T'	1	—	SB11/76
EB6.75.405	. PIPE, assembly, from wheel well bulkhead fitting to Marston air cooler	1	—	SB11/77
EB6.75.407	. PIPE, assembly, from hot air valve to connection between ribs 2 and 3	1	—	SB11/78
EB6.75.409	. PIPE, flexible from connection between ribs 2 and 3 to pipe coupling at rib 1	1	Metalic hose	SE11/79
EB6.75.20	. PIPE, RUN IN WHEEL BAY, ASSEMBLY Spares for:	—	—	SB12/1
EB6.75.401	. ADAPTOR, bulkhead, Marston air cooler Attaching parts for EB6.75.401:	1	DTD683	SB12/2
A25/2C	. Bolt, 2BA	6	—	SB12/3
AGS2001C1/66	. Nut, 2BA	6	—	SB12/4
EB6.75.647	. Shim	1	—	SB12/5
EEAS20/1DR	. Tab, locking	2	L65	SB12/6
AGS1142J	. ADAPTOR, nipple	2	—	SB12/7
AGS1170J	. ADAPTOR, nipple	1	—	SB12/8
EB6.75.211	. BRACKET	2	—	SB12/9
EB6.75.213	. CLIP, pipe, in wheel well Attaching parts for EB6.75.213:	2	L72	SB12/10
A25/2C	. Bolt, 2BA	2	—	SB12/11
AGS2001C1/66	. Nut, 2BA	2	—	SB12/12
SP15C	. Washer	2	—	SB12/13

## SERVICES

## CABIN PRESSURE AND COLD AIR SYSTEM IN STARBOARD WING

Ref. No.	Part No.	Description 1 2 3 4 5 6	No. off	Matl. Spec.	Cl. of Equip M.R. L.M.	Plate No.
6769	EB6.75.209	. . PIPE, assembly, from Marston air cooler bulkhead elbow connection to intermediate pipe coupling	1	L56	C	SB12/14
16591	EB6.75.615	. . PIPE, assembly, from intermediate coupling to fuselage bulkhead connection	1	L56	C	SB12/15
28F/12399	AGS1167J	. . UNION, elbow, assembly	1	—	C	SB12/16
28P/9527619	SP90C7	. PIN, split	1	—	C	SB11/80
28F/8011884	AGS1140D	. PLUG, nipple	1	—	C	SB11/81
28F/4169558	AS5402	. RING, sealing, type 'A' between pipe flanges	3	—	C	SB11/82
28F/9439535	AGS954D	. SLEEVE, outer	1	—	C	SB11/83
28F/4051715	AGS1119K	. UNION, tee at Marston cooler	1	—	C	SB11/84
21060	EB7.50.31	. VALVE, HOT AIR, ASSEMBLY Consisting of:—	1	—	A	SB11/85
5W/4511908	E. E. CO. LTD. TYPE 234	. . ACTUATOR	1	—	A	SB11/86
27V/4604668	TEDDINGTON FKHA16	. . VALVE, hot air	1	—	A	SB11/87
27KD/4631324	NORMALAIR 501670	. VALVE, non-return	1	—	A	SB11/88



## SERVICES

## CABIN PRESSURE AND COLD AIR SYSTEM IN PORT WING

Part Number	Description	No. Off	Matl. Spec.	Plate No.
EA3.75.7	CABIN PRESSURE SYSTEM IN PORT WING, ASSEMBLY (PRE MOD.2523)	—	—	
EA3.04.9547	CABIN PRESSURE AND COLD AIR SYSTEM IN PORT WING, ASSEMBLY (MOD.2523-S.O.O.)	—	—	
	Spares for:			
AGS1142H	. ADAPTOR, nipple (pre Mod.2523)	4	—	
AGS1142K	. ADAPTOR, nipple (Mod.2523-S.O.O.)	2	—	SB7/1
AGS1142B	. ADAPTOR, nipple (Mod.2523-S.O.O.) (Pre Mod.2316)	2	—	
EB6.75.501	. ADAPTOR, oil vapour breather pipe (Mod.2523-S.O.O.) (Pre Mod.2316)	1	L85	
EA1.75.103	. BRACKET, support air cooler, inlet pipe (Pre Mod.714) (Pre Mod.2523)	1	L59	
EA4.75.67	. BRACKET, support air cooler, inlet pipe (Pre Mod.714) (Pre Mod.2523)	1	L59	
EA3.75.35	. BRACKET, constant flow valve, bottom mounting (Pre Mod.2523)	1	L72	
EA3.75.43	. BRACKET, constant flow valve, top mounting (Pre Mod.2523)	1	L72	
EA3.75.37	. BRACKET, pipe clip at rib 3 (Pre Mod.2523)	1	L59	
EA3.75.87	. BRACKET, pipe mounting at ribs 1 and 3 (Pre Mod.2523)	2	L59	
	Attaching parts for brackets:			
A25/1C	. Bolt, 2BA	2	—	
AGS2001C1/66	. Nut, 2BA	2	—	
SP15C	. Washer	2	—	
G43B	CLAMP, half (Mod.2523-S.O.O.)	14	—	
or				
EB6.75.1557	CLAMP, assembly (Replacement spare) (Mod.2523-S.O.O.) Attaching parts for G43B or EB6.75.1557:	7	—	SB7/2
A25/15E	Bolt, 1/4" BSF	2	—	SB7/3
AGS2001E2/66	Nut, stiff, 1/4" BSF	2	—	SB7/4
SP15E	Washer	2	—	SB7/5
50270	. CLAMP, segmented, pipe jointing at Marston cooler (Mod.2523-S.O.O.)	4	—	SB10/52
EA3.75.93	. CLIP, special, for pipe support bracket at outboard engine rib (Pre Mod.2523)	1	L72	
EA3.75.45	. CLIP, constant flow valve mounting (Pre Mod.2523)	1	L72	
EA3.75.89	. CLIP, special pipe at wing ribs 1 and 3 (Pre Mod.2523)	2	L72	
EA1.75.105	. CLIP, pipe (Pre Mod.2523)	1	—	
	Attaching parts for clips:			
A25/1C	. Bolt, 2BA	2	—	
AGS2001C1/66	. Nut, 2BA	2	—	
SP15C	. Washer	2	—	

## SERVICES

## CABIN PRESSURE AND COLD AIR SYSTEM IN PORT WING

Part Number	Description	No. Off	Mati. Spec.	Plate No.
SP91J	. CLIP (Mod. 2523-S.O.O.)	4	—	SB7/6
SP91L	. CLIP	20	—	SB7/7
AS4525/4	. CLIP, pipe single, ¼" o/d (pre Mod. 2316) (Mod. 2523-S.O.O.)	1	L72	
SP144/028	. CLIP (pre Mod. 2316) (Mod. 2523-S.O.O.)	1	—	
AGS1661M	. CLIP, bonding	4	—	SB7/8
SP91P	. CLIP (Mod. 2523-S.O.O.)	1	—	SB7/9
AS4525/24	. CLIP, bonding (Mod. 2523-S.O.O.)	4	—	SB7/10
EB6.75.833	. COLLECTOR, OIL WASTE, ASSEMBLY (MOD. 2316) (MOD. 2523-S.O.O.) Spares for:—	1	—	SB7/11
EB6.75.849	. BRACKET, mounting Attaching parts for EB6.75.849:—	1	—	SB7/12
AGS1148B	. Nut, ¼" BSP	2	—	SB7/13
AGS1149/2	. Washer, plate	1	—	SB7/14
EB6.75.843	. COLLECTOR, top, assembly	1	—	SB7/15
EB6.75.847	. CONTAINER, waste oil	1	DTD339	SB7/16
EB6.75.845	. RETAINER, assembly Attaching parts for EB6.75.833:—	1	—	SB7/17
A25/2C	. Bolt, 2BA	2	—	SB7/18
AGS2002C1	. Nut, 2BA	2	—	SB7/19
SP15C	. Washer	2	—	SB7/20
AGS1111B	. CONE, union body (Mod. 2316) (Mod. 2523-S.O.O.)	1	—	SB7/21
R EA3.75.145	. CONNECTION, rubber, 1.5" i/d x 2.5 long (Mod. 2523-S.O.O.)	2	—	SB7/22
or				
R DUNLOP				
R DAS.582/24/2.5				
R EA3.75.147	. CONNECTION, rubber, 2.5" i/d x 3.0" long	1	—	SB7/23
or				
R DUNLOP				
R DAS.582/40/3.0				
EB6.75.461	. CONNECTION, duct, tapered, from cold air unit junction pipe (Mod. 2523-S.O.O.)	1	L59	SB7/24
EA1.75.47	. CONNECTION, spill pipe (pre Mod. 2523)	1	DTD124A	
EA1.75.101	. COVER, gauge, spill pipe (pre Mod. 2523)	1	—	
EA3.75.641	. DUCT AND AIR COOLER, ASSEMBLY (PRE MOD. 4858) (MOD. 2523-S.O.O.)	—	—	SB8/1
EA3.75.5157	. DUCT AND AIR COOLER, ASSEMBLY (MOD. 4858) (MOD. 2523-S.O.O.) Spares for:—	—	—	
EA3.75.639	. DUCT, air inlet, at rib 1 (pre Mod. 4858)	1	—	SB8/2
EA3.75.5155	. DUCT, air inlet, at rib 1 (Mod. 4858) Attaching parts for EA3.75.639 and EA3.75.5155:	1	—	
EEAS1/1C	. Screw	16	—	SB8/3
EB6.75.735	. DUCT, cooler, air outlet Attaching parts for EB6.75.735:	1	—	SB8/4
EEAS1/1C	. Screw	2	—	SB8/5
EA3.75.645	. FAIRING	1	—	SB8/6
EB6.75.317	. INSTALLATION OF MARSTON COOLER (SECONDARY) Spares for:—	—	—	SB8/7
EB6.75.343	. BRACKET, bottom support Attaching parts for EB6.75.343:—	2	—	SB8/8
A25/16C	. Bolt	2	—	SB8/9
AGS2001C1/66	. Nut	2	—	SB8/10
AS2809/4/139	. Piece, distance	2	—	SB8/11
SP15C	. Washer	2	—	SB8/12
EB6.75.345	. BRACKET, top attachment Attaching parts for EB6.75.345:—	1	—	SB8/13
A25/16C	. Bolt	3	—	SB8/14
AGS2001C1/66	. Nut	3	—	SB8/15
AS2809/4/139	. Piece, distance	3	—	SB8/16
SP15C	. Washer	3	—	SB8/17

AP 101B-0402-3A

## SERVICES

## CABIN PRESSURE AND COLD AIR SYSTEM IN PORT WING

Part Number	Description	No. Off	Matl. Spec.	Plate No.
MARSTON D106/6A	. . . COOLER, secondary (EB6.75.321) Attaching parts for D106/6A:	1	—	SB8/18
A25/5E	. . . Bolt, ¼" BSF	1	—	SB8/19
EB6.75.351	. . . Washer, felt	2	—	SB8/20
SP15E	. . . Washer	1	—	SB8/21
EB6.75.335	. . STRAP, JOINT, INLET AIR DUCT TO MARSTON COOLER, ASSEMBLY Consisting of:	2	—	SB8/22
A25/8C	. . . BOLT, 2BA	2	—	SB8/23
AGS2001C1-66	. . . NUT, 2BA	2	—	SB8/24
EB6.75.337	. . . STRAP, joint	1	—	SB8/25
EB6.75.339	. . . STRAP, clamping	1	—	SB8/26
EA3.75.405	. ELBOW, SPECIAL, PIPE COUPLING INBOARD ENGINE RIB, ASSEMBLY (MOD.255) (PRE MOD.2523) Spares for:	1	—	
KING AIRCRAFT C2593	. . COUPLING, flexible	1	—	
or C5623H	. . COUPLING, flexible	1	—	
EA3.75.251	. . ELBOW	1	—	
EA3.04.10957	. FAIRLEAD, assembly (Mod.2523-S.O.O.) Attaching parts for EA3.04.10957:	1	—	SB7/25
A25/4C	. Bolt, 2BA	4	—	SB7/26
AGS2001C1-66	. Nut, stiff, 2BA	4	—	SB7/27
SP15C	. Washer	4	—	SB7/28
EA3.04.10927	. INSTALLATION OF COLD AIR UNIT (MOD.2523-S.O.O.) Spares for:	—	—	SB7/29
EB6.75.199	. . UNIT, COLD AIR, ASSEMBLY Spares for:	1	—	SB7/30
GODFREY 23421HX	. . . DIPSTICK and filler, oil level	1	—	SB7/31
23414	. . . UNIT, cold air, A.C.R.E. 9 Mk. 10E Attaching parts for EB6.75.199:	1	—	SB7/32
A25/1C	. . . Bolt, 2BA	16	—	SB7/33
SP55C	. . Washer	16	—	SB7/34
SP16C	. . Washer	16	—	SB7/35
EA3.04.10937	. INSTALLATION OF VALVES AND PIPING (MOD.2523-S.O.O.) Spares for:	—	—	SB9/1
EB6.75.257	. . BRACKET, hot air and non-return valve	1	—	SB9/2
G43B	. . CLAMP, half	10	—	
or EB6.75.1557	. . CLAMP, assembly (Replacement Spare) Attaching parts for G43B or EB6.75.1557:—	5	—	SB9/3
A25/15E	. . Bolt, ¼" BSF	2	—	SB9/4
AGS2001E1/66	. . Nut, ¼" BSF	2	—	SB9/5
SP13E	. . Washer	2	—	SB9/6

## SERVICES

## CABIN PRESSURE AND COLD AIR SYSTEM IN PORT WING

Part Number	Description	No. Off	Mati. Spec.	Plate No.
GODFREY 50270	. . . CLAMP, segmented, pipe jointing	3	—	SB9/7
SP91L	. . . CLIP	17	—	SB9/8
EB6.75.261	. . . CONNECTOR, flanged, non-return valve end fitting	1	DTD683	SB9/9
EA4.75.183	. . . ELBOW, from engine connection to non-return valve Attaching parts for EA4.75.183:	1	—	SB9/10
A25/2C	. . . Bolt, 2BA	6	—	SB9/11
AGS2001C1/66	. . . Nut, 2BA	6	—	SB9/12
SP13C	. . . Washer	6	—	SB9/13
EB7.50.25	. . . FITTING, end, for pipe connection to hot air valve	1	DTD683	SB9/14
EB6.75.675	. . . GASKET, hot air valve joint	3	Aero Permantie	SB9/15
EB6.75.669	. . . GASKET, non-return valve joint	2	Aero Permantie	SB9/16
EB6.75.447A	. . . LAGGING	1	—	SB9/17
EB6.75.449A	. . . LAGGING	1	—	SB9/18
EB6.75.275A	. . . LAGGING	1	—	SB9/19
EB6.75.277A	. . . LAGGING	1	—	SB9/20
EB6.75.279A	. . . LAGGING	1	—	SB9/21
EB6.75.281A	. . . LAGGING	1	—	SB9/22
EB6.75.283A	. . . LAGGING	1	—	SB9/23
EB6.75.285A	. . . LAGGING	1	—	SB9/24
EB6.75.287A	. . . LAGGING	1	—	SB9/25
EB6.75.289A	. . . LAGGING	1	—	SB9/26
EB6.75.297A	. . . LAGGING	1	—	SB9/27
EB6.75.295A	. . . LAGGING	1	—	SB9/28
EB6.75.631A	. . . LAGGING	1	—	SB9/29
EB6.75.633A	. . . LAGGING	1	—	SB9/30
EB6.75.443A	. . . LAGGING	1	—	SB9/31
EB6.75.445A	. . . LAGGING	1	—	SB9/32
EB6.75.299A	. . . LAGGING	1	—	SB9/33
EB6.75.301A	. . . LAGGING	1	—	SB9/34
EB6.75.635A	. . . LAGGING	1	—	SB9/35
EB6.75.637A	. . . LAGGING	1	—	SB9/36
EB6.75.299	. . . LAGGING, assembly Spares for:	1	—	SB9/37
EB6.75.299A	. . . COVER, outer for 2-way mixing valve	1	Glass cloth	SB9/38
SP90C7	. . . PIN, split	1	—	SB9/39
EB6.75.231	. . . PIPE, assembly, from non-return valve on inboard engine rib to tee piece at rib 3	1	T26	SB9/40
EB6.75.233	. . . PIPE, assembly, from mixing valve to constant flow valve	1	T26	SB9/41
EB6.75.235	. . . PIPE, assembly, from mixing valve to clamping joint at rib 2	1	T26	SB9/42
EB6.75.237	. . . PIPE, assembly, connection from mixing valve to tee piece at frame 3	1	T26	SB9/43
EB6.75.239	. . . PIPE, assembly, from mixing valve to wheel well bay connection	1	T26	SB9/44
AGS1140D	. . . PLUG, nipple	1	—	SB9/45
AS5402	. . . RING, sealing type 'A' between pipe flanges	8	—	SB9/46
AGS954D	. . . SLEEVE, outer	1	—	SB9/47
EB6.75.259	. . . TEE-PIECE, mixing, and non-return valve at rib 3	1	—	SB9/48
EB7.50.31	. . . VALVE, HOT AIR, ASSEMBLY Consisting of:	1	—	SB9/49
E.E. CO, LTD. TYPE 234	. . . ACTUATOR	1	—	SB9/50
FKHA16 NORMALAIR	. . . VALVE, hot air	1	—	SB9/51

SERVICES  
CABIN PRESSURE AND COLD AIR SYSTEM IN PORT WING

Part Number	1 2 3 4 5 6	Description	No. Off	Matl. Spec.	Plate No.
NORMALAIR 501670	. . .	VALVE, non-return	1	—	SB9/52
EA3.04.10939	. . .	VALVE, 2-WAY, MIXING, ASSEMBLY Spares for:—	1	—	SB9/53
EB6.75.245	. . .	BRACKET, valve support, outboard	1	L72	SB9/54
EB6.75.246	. . .	BRACKET, valve support, inboard	1	L72	SB9/55
EB6.75.247	. . .	BRACKET, Desynn transmitter mounting	1	L72	SB9/56
EB6.75.649	. . .	ROD, ADJUSTING, MIXING VALVE AND DESYNN TRANSMITTER, ASSEMBLY Consisting of:—	1	—	SB9/57
AGS899-2	. . . .	COLLAR, shackle pin	2	—	SB9/58
EB6.75.653	. . . .	FORK, R.H.	1	—	SB9/59
EB6.75.655	. . . .	FORK, L.H.	1	—	SB9/60
A27CT	. . . .	NUT, 2BA	1	—	SB9/61
A27CTL	. . . .	NUT, 2BA	1	—	SB9/62
SP4YB4	. . . .	PIN, shackle	2	—	SB9/63
SP90C7	. . . .	PIN, split	2	—	SB9/64
EB6.75.651	. . . .	ROD, screwed, 2BA	1	—	SB9/65
132FL	. . . .	TRANSMITTER, desynn type C Attaching parts for 132FL:—	1	—	SB9/66
A25-1C	. . . .	Bolt, 2BA	2	—	SB9/67
AGS2001C1-66	. . . .	Nut, stiff, 2BA	4	—	SB9/68
EEAS1-1C	. . . .	Screw, 2BA	2	—	SB9/69
EB7.75.103	. . . .	VALVE, DOUBLE, HOT AIR AND ACTUATOR, ASSEMBLY Consisting of:—	1	—	SB9/70
E.E. CO. LTD. TYPE 233	. . . .	ACTUATOR	1	—	SB9/71
FKHA15	. . . .	VALVE, hot air, 2" Attaching parts for EB7.75.103:—	1	—	SB9/72
AGS-4C	. . . .	Bolt, 2BA	6	—	SB9/73
AGS2001C1-66	. . . .	Nut, stiff, 2BA	6	—	SB9/74
SP15C	. . . .	Washer, 2BA	6	—	SB9/75
EB6.75.479	. . . .	INSTALLATION OF CONSTANT FLOW VALVE (MOD 2523—S.O.O.) Spares for:—	—	—	SB10/1
SP91P	. . . .	CLIP, hose	2	—	SB10/2
EB6.75.481	. . . .	VALVE, CONSTANT FLOW, ASSEMBLY Consisting of:—	1	—	SB10/3
EB6.75.579	. . . .	ADAPTOR, special	1	DTD683	SB10/4
EB6.75.491	. . . .	PIPE, assembly Attaching parts for EB6.75.491:—	1	L56	SB10/5
A25-2C	. . . .	Bolt, 2BA	12	—	SB10/6
SP13C	. . . .	Washer	12	—	SB10/7
NORMALAIR 502090	. . . .	VALVE, constant flow	1	—	SB10/8
497776	. . . .	WASHER, sealing	1	—	SB10/9
AGS1138H	. . . .	WASHER, jointing	1	—	SB10/10
EB6.75.727	. . . .	INSTALLATION OF COLD AIR UNIT RELIEF VALVE AND PIPES (MOD 2523—S.O.O.) Spares for:—	—	—	SB10/11
A25-6C	. . . .	Bolt, 2BA	4	—	SB10/12
EB6.75.733	. . . .	BRACKET, assembly Attaching parts for EB6.75.733:—	1	—	SB10/13
A25-1E	. . . .	Bolt, 1-4" BSF	2	—	SB10/14
SP13E	. . . .	Washer	2	—	SB10/15

SERVICES  
CABIN PRESSURE AND COLD AIR SYSTEM IN PORT WING

Part Number	Description	No. Off	Matl. Spec.	Plate No.
G43B or EB6.75.1557	. . CLAMP, half	6	—	
A25-15E AGS2001E1-66 SP13E	. . CLAMP, assembly (Replacement Spare) Attaching parts for G43B or EB6.75.1557:— . . Bolt, 1-4" BSF . . Nut, 1-4" BSF . . Washer	3 2 2 2	— — — —	SB10/16 SB10/17 SB10/18 SB10/19
SP91L EB6.75.731 AGS2001C1-66 EB6.75.737 EB6.75.739	. . CLIP . . COVER, valve, assembly . . Nut, 2BA . . PIPE, assembly, bend, relief valve pipe joint . . PIPE, assembly, from relief valve pipe joint bend to inlet tee-piece	2 1 4 1 1	— — — L59 L54	SB10/20 SB10/21 SB10/22 SB10/23 SB10/24
EB6.75.741	. . PIPE, assembly, inlet tee-piece from pipe joint at rib 1 to Marston cooler	1	L54	SB10/25
AS5402 EB6.75.729	. . RING, sealing, type 'A', between pipe flanges . . VALVE, RELIEF, ASSEMBLY	3 1	— —	SB10/26 SB10/27
EB6.75.747 EB6.75.745 SP13C	Spares for:— . . PISTON, valve . . SEAT, VALVE . . WASHER	1 1 4	— — —	SB10/28 SB10/29 SB10/30
DTD900-6005	. LAGGING, fibreglass blanket(Pre-Mod 2523)	QR	—	
EB6.75.523A	. LAGGING (Mod 2523-S.O.O.)	2	—	SB7/36
EB6.75.517A	. LAGGING (Mod 2523-S.O.O.)	1	—	SB10/31
EB6.75.629A	. LAGGING (Mod 2523-S.O.O.)	1	—	SB10/32
EB6.75.509A	. LAGGING (Mod 2523-S.O.O.)	1	—	SB7/37
EB6.75.511A	. LAGGING (Mod 2523-S.O.O.)	1	—	SB7/38
EA3.75.651A	. LAGGING (Mod 2523-S.O.O.)	1	—	SB7/39
EA3.75.653A	. LAGGING (Mod 2523-S.O.O.)	1	—	SB7/40
EB6.75.519A	. LAGGING (Mod 2523-S.O.O.)	1	—	SB7/41
EB6.75.521A	. LAGGING (Mod 2523-S.O.O.)	1	—	SB7/42
EB6.75.513A	. LAGGING (Mod 2523-S.O.O.)	1	—	SB7/43
EB6.75.515A	. LAGGING (Mod 2523-S.O.O.)	1	—	SB7/44
EA3.04.10959	. LAGGING (Mod 2523-S.O.O.)	1	—	SB7/45
EA3.04.10961	. LAGGING (Mod 2523-S.O.O.)	1	—	SB7/46
EB6.75.533A	. LAGGING (Mod 2523-S.O.O.)	1	—	SB7/47
EB6.75.535A	. LAGGING (Mod 2523-S.O.O.)	1	—	SB7/48
EB6.75.625A	. LAGGING (Mod 2523-S.O.O.)	1	—	SB7/49
EB6.75.627A	. LAGGING (Mod 2523-S.O.O.)	1	—	SB7/50
AS3360C6C	. LEAD, special, electrical bonding (Pre-Mod 2523)	3	—	
AS3360B4B	. LEAD, bonding (Mod 2523-S.O.O.)	2	—	SB7/51
AGS2120H	. NIPPLE (Pre-Mod 2523)	3	—	
AGS1170K	. NIPPLE (Mod 2523-S.O.O.)	3	—	SB7/52
EB6.75.673	. NIPPLE, special (Mod 2523-S.O.O.)(Pre-Mod 2316)	1	—	
EB6.75.19	. PIPE, RUN IN WHEEL BAY, ASSEMBLY (MOD 2523-S.O.O.) Spares for:—	—	—	SB10/33
EB6.75.207	. . AADAPTOR, bulkhead, mixing valve pipe connection Attaching parts for EB6.75.207:—	1	DTD683	SB10/34
A25-2C AGS2001C1-66	. . Bolt, 2BA . . Nut, 2BA	6 6	— —	SB10/35 SB10/36

## SERVICES

## CABIN PRESSURE AND COLD AIR SYSTEM IN PORT WING

Part Number	Description	No. Off	Matl. Spec.	Plate No.	
					1
AS3181/20B	. . CLIP Attaching parts for AS3181/20B:-	4	-	SB10/37	
A25/3C	. . Bolt, 2BA (as required)	2	-	SB10/38	
A25/8C	. . Bolt, 2BA (as required)	1	-	SB10/39	
A25/16C	. . Bolt, 2BA (as required)	1	-	SB10/40	
AGS2001C1/66	. . Nut, 2BA	4	-	SB10/41	
AS2811/5/049	. . Piece, distance (as required)	1	-	SB10/42	
AS2808/5/150	. . Piece, distance (as required)	1	-	SB10/43	
SP13C	. . Washer (as required)	1	-	SB10/44	
AGS1142J	. . NIPPLE, adaptor	2	-	SB10/45	
AGS2120J	. . NIPPLE	2	-	SB10/46	
EB6.75.201	. . PIPE, assembly, from fuselage bulkhead adaptor to pipe joint in wheel well	1	L56	SB10/47	
EB6.75.203	. . PIPE, assembly, in wheel well, between ribs A and E	1	L56	SB10/48	
EB6.75.205	. . PIPE, assembly, from mixing valve connection to pipe joint on rib E	1	L56	SB10/49	
AGS1115/13	. . PLATE, washer	1	-	SB10/50	
EEAS20/1DR	. . TAB, locking	2	-	SB10/51	
EA3.75.29	. . PIPE, 'Y' branch connection for cooler and by-pass pipe (Pre Mod. 2523)	1	-		
EA3.75.33	. . PIPE, assembly, continuation from mixing valve to branch pipe connection (Pre Mod. 2523)	1	L56		
EA3.75.395	. . PIPE, assembly, continuation through rib 2 (Pre Mod. 2523)	1	L56		
EA3.75.27	. . PIPE, assembly, from non-return valve tee to mixing valve banjo (Pre Mod. 2523)	1	L56		
EA3.75.391	. . PIPE, assembly, between inboard engine rib elbow connection and non-return valve (Pre Mod. 2523)	1	L56		
EA1.75.49	. . PIPE, spill, 2½" o/d x 20 SWG (Pre Mod. 2523)	1	L56		
EA3.75.31	. . PIPE, bend, from leading edge, air intake connection to rubber joint at mixing valve (Pre Mod. 2523)	1	L54		
EA1.75.93	. . PIPE, leading edge, connection (Pre Mod. 2523)	1	DTD124A		
EA1.75.59	. . PIPE, from mixing valve to cooler (Pre Mod. 714) (Pre Mod. 2523)	1	L56		
EA4.75.65	. . PIPE, from mixing valve to cooler (Mod. 714) (Pre Mod. 2523)	1	L56		
EA3.75.393	. . PIPE, assembly, continuation through rib (Pre Mod. 2523)	1	L56		
EB6.75.459	. . PIPE, assembly, junction from cold air unit (Mod. 2523-S.O.O.)	1	L56	SB7/53	
EB6.75.835	. . PIPE, assembly, from coupling to waste oil collector, adjacent to rib 1 (Mod. 2316) (Mod. 2523-S.O.O.)	1	-	SB7/54	
EB6.75.837	. . PIPE, assembly, from cold air unit to coupling adjacent to rib 1 (Mod. 2316) (Mod. 2523-S.O.O.)	1	-	SB7/55	
EB6.75.467	. . PIPE, assembly, from cold air unit compressor connection to pipe joint at rib 1 (Mod. 2523-S.O.O.)	1	L54	SB7/56	
EB6.75.469	. . PIPE, assembly, from connection at rib 1 to cold air unit turbine connection (Mod. 2523-S.O.O.)	1	L54	SB7/57	
EB6.75.463	. . PIPE, assembly, breather oil vapour outlet (Pre Mod. 2316) (Mod. 2523-S.O.O.)	1	-		

## SERVICES

## CABIN PRESSURE AND COLD AIR SYSTEM IN PORT WING

Part Number	Description	No. Off	Mati. Spec.	Plate No.	
					1
EB6.75.471	. PIPE, assembly, from Marston cooler to connection at rib 1 (Mod. 2523-S.O.O.)	1	L56	SB7/58	
EB6.75.775	. PIPE, assembly, from cold air unit compressor connection to pipe joint at rib 2 (Mod. 2523-S.O.O.)	1	L56	SB7/59	
EA3.04.9549	. PIPE, assembly, from mixing valve tee piece at rib 3 to connection at rib 2 (Mod. 2523-S.O.O.)	1	—	SB7/60	
EB6.75.455	. PIPE, assembly, continuation, from non return valve and mixing valve tee-piece through rib 2 (Mod. 2523-S.O.O.)	1	—	SB7/61	
EB6.75.457	. PIPE, assembly (Mod. 2523-S.O.O.)	1	—	SB7/62	
AGS1115/2	. PLATE, washer (Mod. 2316) (Mod. 2523-S.O.O.) Attaching parts for AGS1115/2:—	1	—	SB7/63	
A25/2B	. Bolt, 4BA	3	—	SB7/64	
AGS2001B1	. Nut, 4BA	3	—	SB7/65	
SP13B	. Washer	3	—	SB7/66	
EB6.75.839	. PLATE, instruction (Mod. 2316) (Mod. 2523-S.O.O.)	1	—	SB7/67	
AS5402	. RING, sealing, type A, between pipe flanges (Mod. 2523-S.O.O.)	10	—	SB7/68	
EEAS66/1	. RING, clamping (Mod. 2523-S.O.O.)	1	L72	SB7/69	
EEAS20/2CR	. TAB, locking (Mod. 2316) (Mod. 2523-S.O.O.)	2	—	SB7/70	
EA3.75.25	. VALVE, CONSTANT FLOW ASSEMBLY (PRE MOD. 2523) Consisting of:—	1	—		
AGS1132H	. . . BODY, banjo	1	—		
AGS1213H	. . . BOLT, banjo	1	—		
or					
AGS1135H	. . . BOLT, banjo	1	—		
EA3.75.25A	. . . BOLT, special, outlet pipe mounting (Make from A25/3C)	6	—		
EA3.75.23	. . . PIPE, elbow, connection between constant flow and mixing valve	1	DTD124A		
NORMALAIR					
502090	. . . VALVE, constant flow	1	—		
497776	. . . WASHER, sealing	1	—		
AGS1138H	. . . WASHER, jointing	2	—		
SP13C	. . . WASHER	6	—		
R 30A/9610755	. . . WIRE, locking, 16 SWG	QR	Soft Iron		
R 30A/9140209	. . . WIRE, locking, 20 SWG	QR	Soft Iron		
EA3.75.359	. VALVE, MIXING, ASSEMBLY (PRE MOD. 2523) Spares for:—	1	—		
E. E. CO. LTD.					
TYPE 203 Mk. 4	. . . ACTUATOR	1	DTD126		
HOFFMANN T25	. . . BEARING	2	—		
EA1.75.37	. . . BRACKET, mixing valve, support	1	L72		
EA1.75.39	. . . BRACKET, mixing valve, suspension	1	L72		
EA3.75.385	. . . CASING, valve	1	DTD289		
EA1.75.25	. . . COUPLING, mixing valve barrel to actuator	1	S11		
EA3.75.379	. . . COUPLING, mixing valve to transmitter	1	S92		
EA1.75.19	. . . COVER, end mixing valve	1	DTD289		
EA3.75.349	. . . ELBOW, mixing valve to cabin direct air pipe	1	DTD124A		
EA3.75.351	. . . ELBOW, cabin blower to mixing valve	1	DTD124A		
EA3.75.355	. . . ELBOW, mixing valve to valve spill	1	DTD124A		
EA3.75.357	. . . ELBOW, mixing valve to cooler	1	DTD124A		
EA3.75.353	. . . ELBOW, mixing valve inlet	1	DTD124A		

## SERVICES

## CABIN PRESSURE AND COLD AIR SYSTEM IN PORT WING

Ref. No.	Part No.	Description	No. off	Matl. Spec.	Cl. of Equip			Plate No.
					M.R.	L.M.		
			1	2	3	4	5	6
2198	EA3.75.367	. . GLAND, sealing	1	DTD683				C
2192	EA1.75.43	. . PACKING, mixing valve elbow connection	1	TNF				C
2193	EA1.75.45	. . PACKING, mixing valve to cooler elbow	1	TNF				C
2195	EA3.75.375	. . PLATE, baffle	1	L72				C
2188	EA1.75.21	. . STOP, barrel unit travel	1	—				—
1548	EA1.75.245	. . STOP, transmitter	1	DTD124A				C
2189	EA3.75.399	. . STUD, actuator and transmitter mounting	1	S11				C
2190	EA3.75.401	. . STUD, mixing valve end cover mounting	8	S11				C
2196	EA3.75.377	. . STUD, transmitter mounting	4	S11				C
	EA3.75.403	. . STUD, actuator and transmitter mounting	2	S11				—
2191	EA1.75.41	. . STUD, mixing valve support bracket	2	S11				C
2199	EA3.75.369	. . WASHER, special, distance	1	S92				C
2200	EA3.75.371	. . WASHER, distance	1	DTD683				C
2201	EA3.75.365	. . WASHER, special, 18 SWG	2	L72				C
2197	EA3.75.373	. . WASHER, thrust, 18 SWG	1	DTD124				C
1365	EA3.75.117	. VALVE, non-return (Pre—Mod 2523)	2	—				A

SERVICES

CABIN PRESSURE AND COLD AIR SYSTEM IN PORT WING

Ref. No.	Part No.	Description 1 2 3 4 5 6	No. off	Matl. Spec.	Cl. of Equip M.R. L.M.	Plate No.

SERVICES  
CABIN PRESSURE SYSTEM

Ref. No.	Part No.	Description	No. off	Matl. Spec.	Cl. of Equip M.R. L.M.	Plate No.
	EA3.04.10943	C.A.U. SYSTEM IN BOMB BAY, ASSEMBLY (MOD 2523—S.O.O.) Spare for:—	1	—	—	
28F/9517916	AGS1112J	. ADAPTOR, bulkhead Attaching parts for AGS1112J:—	2	—	C	SB13/1
28D/9133012	A25/3C	. Bolt, 2BA	4	—	C	SB13/2
28M/1012D15	AGS2001C1/66	. Nut, stiff, 2BA	4	—	C	SB13/3
980	EEAS20/1DR	. Tab, locking	2	—	C	SB13/4
28F/4051810	AGS1115/12	. Washer, plate	1	—	C	SB13/5
15181	EB6.75.213	. CLIP Attaching parts for EB6.75.213:—	4	—	—	SB13/6
28D/9133011	A25/2C	. Bolt, hex. head, 2BA	2	—	C	SB13/7
28D/9133012	A25/3C	. Bolt, hex. head, 2BA	2	—	C	SB13/8
28M/1012D15	AGS2001C1/66	. Nut, stiff, 2BA	2	—	C	SB13/9
28474	EB6.75.593	. Packing, fibre	1	—	C	SB13/10
28W/9419475	SP15C	. Washer	2	—	—	SB13/11
	—	. GAUZE, bonding	QR	—	C	SB13/12
28F/4051887	AGS2120J	. NIPPLE	2	—	C	SB13/13
28F/9513420	AGS1142J	. NIPPLE	2	—	C	SB13/14
15182	EB6.75.215	. PIPE, assembly	1	—	—	SB13/15
32373	EA9.75.429	. PIPE, assembly	1	—	—	SB13/16
15183	EB6.75.219	. PIPE, assembly	1	—	—	SB13/17
28475	EB6.75.597	. SHIM	2	—	—	SB13/18

SERVICES  
CABIN PRESSURE SYSTEM

Ref. No.	Part No.	Description 1 2 3 4 5 6	No. off	Matl. Spec.	Cl. of Equip M.R. L.M.	Plate No.

SERVICES  
COLD AIR SUPPLY TO PILOT

Ref. No.	Part No.	Description 1 2 3 4 5 6	No. off	Matl. Spec.	Cl. of Equip	Plate No.
					M.R. L.M.	
	EA3.74.21	COLD AIR SUPPLY TO PILOT, ASSEMBLY Spares for:—	—	—	—	
7240	EA3.74.45	. BRACKET, non-return valve mounting	1	L72	C	SB14/1
	EEAS133	. BRACKET	1	—	C	SB14/2
		Attaching parts for EEAS133:—				
28D/1212964	A61/1B	. Bolt, 4BA	1	—	C	SB14/3
28M/9129524	A29BP	. Nut, 4BA	1	—	C	SB14/4
28W/9416642	SP47B	. Washer, 4BA	1	—	C	SB14/5
5K/1037287	AS4525/3	. CLIP, pipe, 3/16" o/d	5	L16	C	SB14/6
5K/2231767	AS4525/16	. CLIP, pipe, 1" o/d	6	L16	C	SB14/7
		Attaching parts for AS4525/3 and AS4525/16:—				
28D/1212964	A61/1B	. Bolt, 4BA	1	—	C	SB14/8
28M/9129524	A29BP	. Nut, 4BA	1	—	C	SB14/9
28W/9416642	SP47B	. Washer	1	—	C	SB14/10
8995	EA3.74.47	. CLIP, for non-return valve mounting Attaching parts for EA3.74.47:—	2	L54	C/MR	SB14/11
28D/1013250	A61/15C	. Bolt, 2BA	2	—	C	SB14/12
28W/9419475	SP15C	. Washer	2	—	C	SB14/13
8990	EA3.74.53	. COUPLING, drain pipe outlet	1	DTD423	C/MR	SB14/14
	EA3.74.63	. HOSE, connection between air pipe sections (Make from 32C/1275038) Attaching parts for EA3.74.63:—	5	DTD625	LM	SB14/15
28E/8211233	SP144/028	. Clip	2	—	C	SB14/16
	EA3.74.67	. HOSE, connection, from water trap to drain pipe (Make from 32C/1275029) Attaching parts for EA3.74.67:—	1	DTD625	C	SB14/17
28E/8211228	SP144/013	. Clip	2	—	C	SB14/18
5042	THERMOTANK K1259/43	. LOUVRE, 'punkah' air, type D.A.R.2	1	—	B	SB14/19
	EA2.74.55	. PIPE, cold air, from non-return valve to hose connection on frame 1	1	T9	C	SB14/20
5633	EA3.74.111	. PIPE, cold air, continuation from hose connection on frame 1 to hose connection between frames 1 and 2	1	T9	C	SB14/21
5634	EA3.74.113	. PIPE, cold air, from hose connection between frames 1 and 2 to louver	1	T9	C	SB14/22
5635	EA3.74.115	. PIPE, assembly, drain	1	T9	C	SB14/23
8991	EA3.74.51	. RING, louver mounting	1	DTD36	C/MR	SB14/24
3681	EA3.74.49	. SCOOP, cold air	1	L59	C	SB14/25
981	EEAS20/2DR	. TAB, locking, for water drain pipe	1	L72	C	SB14/26
	EA3.74.109	. TRAP, water Attaching parts for EA3.74.109:—	1	—	B	SB14/27
28M/1086175	AGS2001A3	. Nut, stiff, 6BA	10	—	C	SB14/28
28S/1200060	A33A16	. Screw, 6BA	10	—	C	SB14/29
28W/9419473	SP15A	. Washer	10	—	C	SB14/30
5638	EA3.74.23	. VALVE, NON-RETURN, ASSEMBLY Consisting of:—	1	—	A	SB14/31
	EA3.74.39	. . ADAPTOR	2	DTD683	—	SB14/32
	EA3.74.41	. . BODY, non-return valve	1	DTD683	—	SB14/33
5639	EA3.74.25	. . PLUNGER, VALVE SEAL, ASSEMBLY Spares for:—	1	—	C	SB14/34
28D/1213253	AS4565/1B	. . . BOLT, rd. head, 4BA	1	—	C	SB14/35
28M/1956039	AGS2001B3	. . . NUT, stiff, 4BA	1	—	C	SB14/36
5640	EA3.74.29	. . . SEAL	1	Hallprene 21	C	SB14/37
	EA3.74.27	. . . WASHER, seal retaining	1	DTD683	—	SB14/38
5060	EA3.74.35	. . SHIM, laminated	1	Laminated Aluminium	C	SB14/39
5059	EA3.74.37	. . SPRING, compression	1	DTD215	C	SB14/40
5043	EA3.74.33	. . WASHER, sealing	1	DTD378A	C	SB14/41

SERVICES  
COLD AIR SUPPLY TO PILOT

Ref. No.	Part No.	Description 1 2 3 4 5 6	No. off	Matl. Spec.	Cl. of Equip M.R. L.M.	Plate No.

## SERVICES

## AIR VENTILATED SUIT SYSTEM — FRONT FUSELAGE

Ref. No.	Part No.	Description	No. off	Mati. Spec.	Cl. of Equip M.R. L.M.	Plate No.
		AIR VENTILATED SUIT, Mk. 2, SYSTEM (EA3.75.575) (MOD 2717—S.O.O.)	—	—	—	
	EA3.04.14003	SUIT, VENTILATED, FRONT FUSELAGE, INSTALLATION	—	—	—	
	EA3.04.14015	BULKHEAD, PRESSURE, PIPE CONNECTION, ASSEMBLY Spares for:—	—	—	—	SB15/1
28F/9486111	AGS1142H	. . NIPPLE, adaptor	2	—	C	SB15/2
26DK/4762	EEAS20/3D/U	. . TAB, locking	2	—	C	SB15/3
28F/9996122	AGS1112H	. . UNION, body, flanged bulkhead Attaching parts for AGS1112H:—	1	—	C	SB15/4
28D/9133011	A25/2C	. . Bolt, 2BA	6	—	C	SB15/5
28M/1012015	AGS2001C1/66	. . Nut, 2BA	6	—	C	SB15/6
28W/9419402	SP13C	. . Washer, 2BA	6	—	C	SB15/7
	AGS1115/10	. . Washer, plate	1	—	C	SB15/8
37856	EA4.75.253	. . Washer, sealing	1	—	C	SB15/9
28E/1012878	AS3181/16C	. . CLIP, pipe	2	—	C	SB15/10
28E/9496856	AS3181/10C	. . CLIP, pipe Attaching parts for AS3181/16C and AS3181/10C:—	4	—	C	SB15/11
28D/9436920	A25/1C	. . Bolt, 2BA	1	—	C	SB15/12
28M/1012015	AGS2001C1/66	. . Nut, 2BA	1	—	C	SB15/13
28W/9419402	SP13C	. . Washer	1	—	C	SB15/14
	EA3.04.14013	. . FRAME 12, INSTALLATION Spares for:—	—	—	—	SB15/15
32744	EA3.04.14099	. . UNION, union Attaching parts for EA3.04.14099:—	1	—	C	SB15/16
28D/9133011	A25/2C	. . Bolt, 2BA	6	—	C	SB15/17
28M/1012015	AGS2001C1/66	. . Nut, 2BA	6	—	C	SB15/18
32745	EA3.04.14101	. . Washer, plate	1	—	C	SB15/19
28F/9486111	AGS1142H	. . NIPPLE, adaptor	2	—	C	SB15/20
26DK/4762	EEAS20/3DU	. . TAB, locking	2	—	C	SB15/21
32743	EA3.04.14097	. . JOINT, tee	2	—	C	SB15/22
28F/1046083	AGS1170E	. . NIPPLE	1	—	C	SB15/23
28F/1036552	AGS2120H	. . NIPPLE	7	—	C	SB15/24
9544	EA3.81.1955	. . PACKING	1	—	C	SB15/25
	EA3.04.14325	. . PIPE, INSTALLATION, FOR BOMB-AIMER'S VENTILATED SUIT Spares for:—	—	—	—	SB15/26
28E/9156991	AS3180/12E	. . CLIP, pipe Attaching parts for AS3180/12E:—	1	—	C	SB15/27
28M/9480017	AGS2001E1/66	. . Nut, 1/4" BSF	1	—	C	SB15/28
28W/9418921	SP13E	. . Washer, 1/4" BSF	1	—	C	SB15/29
32748	EA3.75.621	. . PIPE, assembly, flexible, for bomb-aimer's suit, connection	1	—	C	SB15/30
27L/4527646	O/MBEU1748C	. . PLATE, base, for pipe clip	1	—	—	SB15/31
	EA3.04.14323	. . PIPE, INSTALLATION, FOR PILOT'S AND NAVIGATOR'S VENTILATED SUIT Spares for:—	—	—	—	SB15/32
28E/9156991	AS3180/12E	. . CLIP, pipe Attaching parts for AS3180/12E:—	2	—	C	SB15/33
28M/9480017	AGS2001E1/66	. . Nut, 1/4" BSF	1	—	C	SB15/34
28W/9418921	SP13E	. . Washer, 1/4" BSF	1	—	C	SB15/35

## SERVICES

## AIR VENTILATED SUIT SYSTEM — FRONT FUSELAGE

Ref. No.	Part No.	Description	No. off	Matl. Spec.	Cl. of Equip M.R. L.M.	Plate No.
32746	EA3.75.619	. . PIPE, assembly, flexible, for pilot's suit connection	1	—	C	SB15/36
32747	EA3.75.623	. . PIPE, assembly, flexible, for navigator's suit connection	1	—	C	SB15/37
32731	EA3.04.14065	. PIPE, assembly, from connection on frame 12 to joint at frame 10	1	—	C	SB15/38
32732	EA3.04.14069	. PIPE, assembly, from joint at frame 10 to pressure bulkhead connection	1	—	C	SB15/39
32733	EA3.04.14071	. PIPE, assembly, from forward connection pressure bulkhead to joint	1	—	C	SB15/40
32734	EA3.04.14073	. PIPE, assembly, continuation, forward of pressure bulkhead	1	—	C	SB15/41
32735	EA3.04.14075	. PIPE, assembly, from joint to tee joint	1	—	C	SB15/42
32736	EA3.04.14077	. PIPE, assembly, from tee joint on pressure bulkhead to tee joint forward of pressure bulkhead	1	—	C	SB15/43
32737	EA3.04.14079	. PIPE, assembly, from tee joint forward of pressure bulkhead to navigator's control valve	1	—	C	SB15/44
32738	EA3.04.14083	. PIPE, assembly, from tee joint on pressure bulkhead to bomb-aimer's control valve	1	—	C	SB15/45
32739	EA3.04.14087	. PIPE, assembly, from joint at frame 6 to joint at frame 4	1	—	C	SB15/46
32740	EA3.04.14089	. PIPE, assembly, continuation between frames 3 and 4	1	—	C	SB15/47
32741	EA3.04.14091	. PIPE, assembly, from joint forward of frame 4 to pilot's control valve	1	—	C	SB15/48
32742	EA3.04.14093	. PIPE, assembly, from joint at frame 6 to tee joint forward of pressure bulkhead	1	—	C	SB15/49
42421	EA3.75.655	. PIPE, assembly, from joint forward of frame 4 to pilot's control valve (For aircraft embodying Bomber Command Mod 15)	1	—	—	SB15/50
3418	EEAS132/12	. STRAP Attaching parts for EEAS132/12:—	1	—	C	SB15/51
28D/1218384	AS1248/1B	. Bolt, 4BA	1	—	C	SB15/52
28M/1278189	AGS2001B1	. Nut, 4BA	1	—	C	SB15/53
	EA3.75.581	. VALVES, BOMB AIMER AND NAVIGATOR'S INSTALLATION Spares for:—	—	—	—	SB15/54
28F/9439897	AGS1142E	. . NIPPLE, adaptor	2	—	C	SB15/55
	EA3.04.14029	. . PLATE, mounting, assembly Attaching parts for EA3.04.14029:—	1	—	—	SB15/56
28D/1200119	A25/4C	. . Bolt, 2BA	2	—	C	SB15/57
28M/1012015	AGS2001C1/66	. . Nut, 2BA	2	—	C	SB15/58
28W/9419402	SP13C	. . Washer, 2BA	2	—	C	SB15/59
	EA3.04.14331	. . PLATE, mounting, assembly Attaching parts for EA3.04.14331:—	1	—	—	SB15/60
28D/1200119	A25/4C	. . Bolt, 2BA	2	—	C	SB15/61
28M/1012015	AGS2001C1/66	. . Nut, 2BA	2	—	C	SB15/62
28W/9419402	SP13C	. . Washer, 2BA	2	—	C	SB15/63
	EA3.75.609	. . VALVE, COMPLETE, ASSEMBLY Spares for:—	2	—	—	SB15/64
	DUNLOP ACO23654 NORMALAIR	. . . SOCKET, quick release	1	—	—	SB15/65
27KD/4631315	513390	. . . VALVE, control manual	1	—	B	SB15/66

## SERVICES

## AIR VENTILATED SUIT SYSTEM — FRONT FUSELAGE

Ref. No.	Part No.	Description	No. off	Matl. Spec.	Cl. of Equip M.R. L.M.	Plate No.
32749	R. TRIST & CO. RT.SQ.S13	. . . WASHER, sealing, for quick release socket Attaching parts for EA3.75.609:—	1	—	C	SB15/67
28D/9133011	A25/2C	. . . Bolt, 2BA, for bomb aimer's valve	2	—	C	SB15/68
28D/9133012	A25/3C	. . . Bolt, 2BA, for navigator's valve	2	—	C	SB15/69
	EA3.75.583	. VALVE, PILOT'S CONTROL, INSTALLATION Spares for:—	—	—	—	SB15/70
	EA3.04.14021	. . . BRACKET, assembly	1	—	—	SB15/71
28F/9439897	AGS1142E	. . . NIPPLE, adaptor	1	—	C	SB15/72
	EA3.75.609	. . . VALVE, COMPLETE, ASSEMBLY Spares for:—	1	—	—	SB15/73
	DUNLOP ACO23654 NORMALAIR	. . . SOCKET, quick release	1	—	—	SB15/74
27KD/4631315	513390	. . . VALVE, control manual	1	—	B	SB15/75
32749	R. TRIST & CO. RT.SQ.S13	. . . WASHER, sealing, for quick release socket Attaching parts for EA3.75.609:—	1	—	C	SB15/76
28D/9133011	A25/2C	. . . Bolt, 2BA	2	—	C	SB15/77
28W/9419402	SP13C	. . . Washer, 2BA	2	—	C	SB15/78

SERVICES

AIR VENTILATED SUIT SYSTEM — FRONT FUSELAGE

Ref. No.	Part No.	Description 1 2 3 4 5 6	No. off	Matl. Spec.	Cl. of Equip M.R. L.M.	Plate No.

## SERVICES

## AIR VENTILATED SUIT SYSTEM - CENTRE FUSELAGE

Part Number	Description	No. Off	Matl. Spec.	Plate No.
EA3.75.577	SUIT, VENTILATED, CENTRE FUSELAGE, INSTALLATION (MOD.2717-S.O.O.) Spares for:	—	—	
R A25/1C	. BOLT, 2BA	34	—	SB16A/1
R A25/3C	. BOLT, 2BA	9	—	SB16A/2
R A25/14C	. BOLT, 2BA	2	—	SB16A/3
R EA3.75.843	. BRACKET, attachment, for pipe clips	8	—	SB16A/4
R EA3.73.971	. CLAMP, pipe forward face of frame 13 Attaching parts for EA3.73.971:—	1	—	SB16A/5
R A25/15B	. Bolt, 4BA	2	—	SB16A/6
R A27BP	. Nut, 4BA	2	—	SB16A/7
R SP47B	. Washer, spring	2	—	SB16A/8
R AS3181/12C	. CLIP, pipe	15	—	SB16A/9
R AS3181/16C	. CLIP, pipe	34	—	SB16A/10
R EA3.04.14011	. CONNECTION, GROUND SUPPLY, VALVE REDUCING AND PRESSURE RELIEF VALVE, ASSEMBLY Spares for:	—	—	SB16B/11
R EA3.04.14221	. . BLOCK, mounting, for pressure relief valve Attaching parts for EA3.04.14221:	1	—	SB16B/12
R A25/20C	. . Bolt, 2BA	2	—	SB16B/13
R SP15C	. . Washer, 2BA	2	—	SB16B/14
R NORMALAIR 512070	. . CONNECTION, charging, break-away	1	—	SB16B/15
R EA3.04.14227	. . FAIRLEAD, half (bottom)	1	—	SB16B/16
R EA3.04.14229	. . FAIRLEAD, half (top) Attaching parts for EA3.04.14227 and EA3.04.14229:	1	—	SB16B/17
R A25/25C	. . Bolt, 2BA	2	—	SB16B/18
R A27CP	. . Nut, 2BA	2	—	SB16B/19
R SP15C	. . Washer, 2BA	2	—	SB16B/20
R AGS1142F	. . NIPPLE, adaptor	1	—	SB16B/21
R AGS1142H	. . NIPPLE, adaptor	7	—	SB16B/22
R EA3.04.14037	. . PIPE, assembly, from break-away charging valve to tee union	1	—	SB16B/23
R EA3.04.14039	. . PIPE, assembly, from pressure reducing valve to pressure relief valve mounting block	1	—	SB16B/24
R EA3.04.14041	. . PIPE, assembly, from pressure relief valve mounting block to non-return valve forward of frame 13	1	—	SB16B/25
R EA3.04.14043	. . PIPE, assembly, from non-return valve forward of frame 13 to tee union between frames 12 and 13	1	—	SB16B/26
R EA3.04.14045	. . PIPE, assembly, from tee union between frames 12 and 13 to non-return valve at frame 12	1	—	SB16B/27
R EA3.04.14047	. . PIPE, assembly, from non-return valve at frame 12 to connection on frame 12	1	—	SB16B/28
R EA3.04.14223	. . PLATE, mounting, assembly, for pressure relief valve mounting block	1	L72	SB16B/29
R AGS904C	. . SLEEVE, outer, on reducing valve	1	—	SB16B/30
R AGS1121/2 FLIGHT REFUELLING	. . UNION, tee	1	—	SB16B/31
R 9811125H HYMATIC	. . VALVE, non-return	2	—	SB16B/32
R RAV.158-002	. . VALVE, pressure relief	1	—	SB16B/33

## AIR VENTILATED SUIT SYSTEM - CENTRE FUSELAGE

Part Number	Description	No. Off	Matl. Spec.	Plate No.
R R R	HYMATIC PAS148-074 EA3.75.585 . . VALVE, reducing . CUT-IN, COLD AIR, INSTALLATION Spares for:	1 —	— —	SB16B/34 SB16A/35
R	EB6.75.213 . . CLIP, pipe Attaching parts for EB6.75.213:	2	—	SB16A/36
R R R R	A25/3C AGS2001C1/66 SP15C . . Bolt, 2BA . . Nut, 2BA . . Washer, plain	2 2 2	— — —	SB16A/37 SB16A/38 SB16A/39
R R R R	AGS2120J AGS1142H AGS1142J EA3.75.605 . . NIPPLE, pipe . . NIPPLE, adaptor . . NIPPLE, adaptor . PIPE, assembly, from starboard wing connection to tee joint aft frame 20	1 1 3 1	— — — —	SB16A/40 SB16A/41 SB16A/42 SB16A/43
R	EA3.75.607 . . PIPE, assembly, from tee joint aft of frame 20 to joint, port side	1	—	SB16A/44
R R R R R R R	AGS1121/3 EEAS136 AGS1170F AGS2120H AGS2002C1 EA3.04.14147 EA3.04.14149 . . UNION, tee . LUG . NIPPLE, pipe . NIPPLE, pipe . NUT, 2BA	1 3 4 8 45	— — — — —	SB16A/45 SB16A/46 SB16A/47 SB16A/48 SB16A/49
R R	EA3.04.14151 EA3.04.14153 . PIPE, assembly, from reducing valve to joint forward of frame 13 . PIPE, assembly, continuation, from port side to centre joint forward of frame 13	1 1	— —	SB16A/50 SB16A/51
R R	EA3.04.14151 EA3.04.14153 . PIPE, assembly, continuation, from joint forward of frame 13 to joint aft of frame 13, port side . PIPE, assembly, continuation, from joint aft to frame 13 to joint aft of frame 17 port side	1 1	— —	SB16A/52 SB16A/53
R R	EA3.04.14215 EA3.75.593 . PIPE, assembly, from joint aft of frame 17 to water separator . PIPE, assembly, continuation, from joint aft of frame 28 to joint aft of frame 24, starboard side	1 1	— —	SB16A/54 SB16A/55
R	EA3.75.595 . PIPE, assembly, continuation, from joint aft of frame 24 to joint forward of frame 22, starboard side	1	—	SB16A/56
R R	EA3.75.597 EA3.75.599 EA3.75.601 . PIPE, assembly, from joint forward of frame 22 to tee union at frame 20 . PIPE, assembly, aft connection of water separator . PIPE, assembly, continuation, from joint forward of frame 20 to joint forward of frame 22, port side	1 1 1	— — —	SB16A/57 SB16A/58 SB16A/59
R	EA3.75.627 . PIPE, assembly, continuation, from joint forward of frame 22 to joint aft of frame 24, port side	1	—	SB16A/60
R	EA3.75.629 . PIPE, assembly, continuation, from joint aft of frame 24 to joint aft of frame 28, port side	1	—	SB16A/61
R	EA3.75.631 . PIPE, assembly, continuation, from joint aft of frame 28, port side, to centre joint forward of frame 29	1	—	SB16A/62
R	EA3.75.633 . PIPE, assembly, continuation, from centre joint to joint forward of frame 29, starboard side	1	—	SB16A/63

## AIR VENTILATED SUIT SYSTEM - CENTRE FUSELAGE

Part Number	Description	No. Off	Mati. Spec.	Plate No.
R EA3.75.615	. SEPARATOR, WATER, INSTALLATION	—	—	SB16B/64
	Spares for:			
R EA3.04.14131	. . BRACKET, assembly	1	—	SB16B/65
R EA3.04.14133	. . CHANNEL, assembly	1	—	SB16B/66
R EA3.04.14141	. . CHANNEL	1	—	SB16B/67
R EA3.04.14143	. . CLIP, attachment for water separator	1	—	SB16B/68
	Attaching parts for EA3.04.14143:			
R A25/1C	. . Bolt, 2BA	2	—	SB16B/69
R SP13C	. . Washer	2	—	SB16B/70
R AGS1104A	. . CONE, adaptor, for water vent pipe connection to separator	1	—	SB16B/71
R EA3.75.613	. . CONNECTOR, water vent pipe to fuselage	1	—	SB16B/72
R AGS1142F	. . NIPPLE, adaptor	2	—	SB16B/73
R EA3.75.617	. . PACKING	1	—	SB16B/74
R EA3.75.625	. . PAD, felt	1	—	SB16B/75
R EA3.04.14201	. . PAD, stress, for clip attachment bolts	2	—	SB16B/76
R EA3.04.14145	. . PIPE, assembly, water vent	1	—	SB16B/77
R GODFREY				
R 119013	. . SEPARATOR, water, WS. Mk.4	1	—	SB16B/78
R EEAS20/2DR	. . TAB, locking, for water pipe vent	1	—	SB16B/79
R AGS164E	. . WASHER, fibre jointing for water vent pipe adaptor	1	—	SB16B/80
R AS2810/5/1	. . TUBE, distance	2	—	SB16A/81
R EEAS21/2ER/H	. . WASHER, 'D'	34	—	SB16A/82
R SP13C	. . WASHER	11	—	SB16A/83

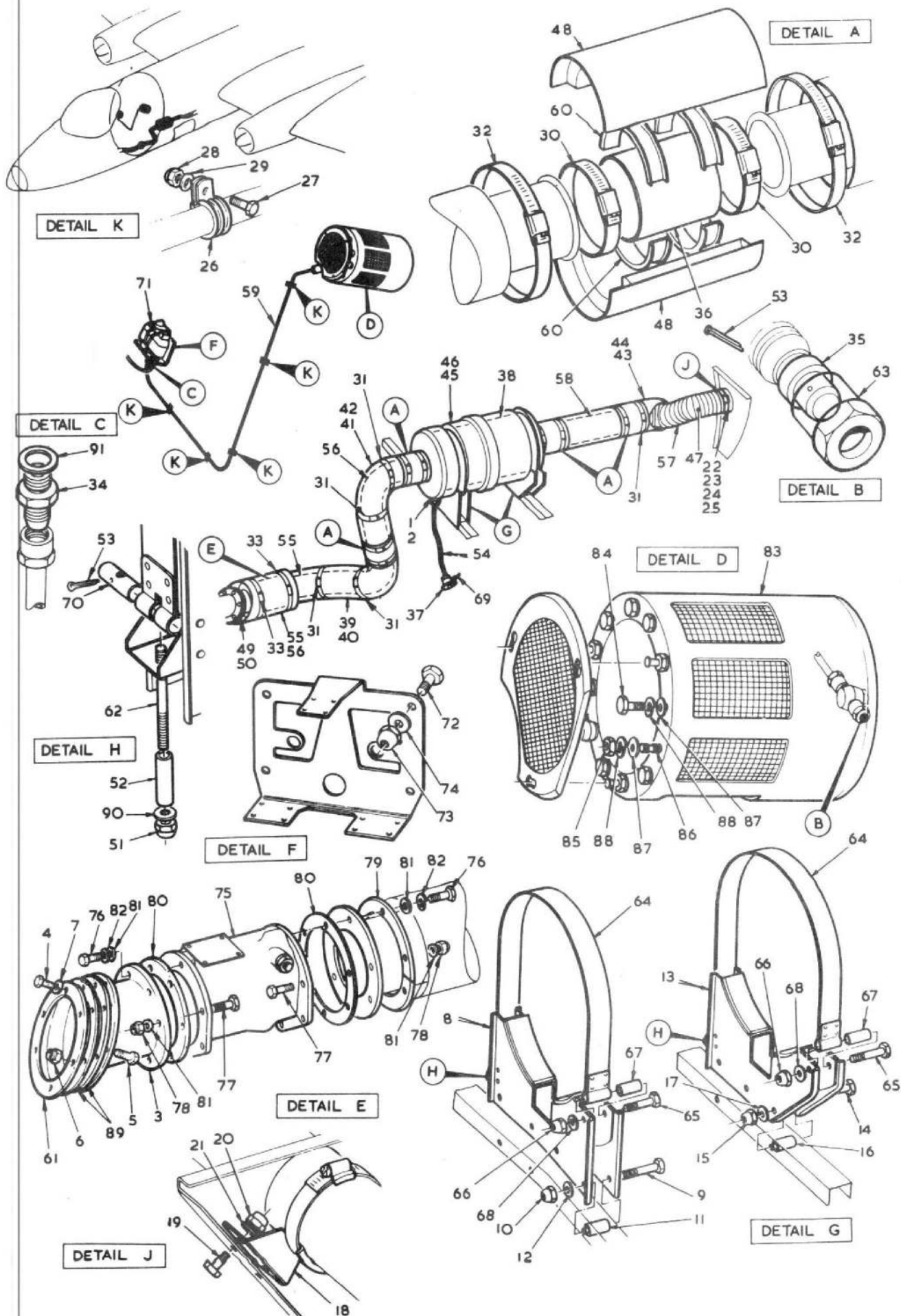


FIG. I. CABIN PRESSURE SYSTEM FRONT FUSELAGE

This file was downloaded  
from the RTFM Library.

Link: [www.scottbouch.com/rtfm](http://www.scottbouch.com/rtfm)

Please see site for usage terms,  
and more aircraft documents.

