

TAIL UNIT

TAILPLANE AND ELEVATORS

Part Number	Description	No. Off	Matl. Spec.	Plate No.	
					1
EA1.00.19	TAILPLANE AND ELEVATORS, ASSEMBLY (Pre-Mod 5097)	—	—	TB1/1	
EA3.00.5473	TAILPLANE AND ELEVATORS, ASSEMBLY (Alt. R60/13 Mod 5097)	—	—		
	Spares for:—				
EEAS13/1	. BOLT, special, 1/4" BSF	1	S11	TB6/2	
EA1.30.335	. BUFFER, rubber	2	Shore 45	TB9/8A	
EA3.31.47	. BUSH, serrated	1	—	TB6/3	
R EA3.00.5485	. ELEVATOR, c/w TAB, PORT ASSEMBLY (Spares for EA3.31.5021) (Pre-Mod 5344)	1	—		
R EA3.00.5705	. ELEVATOR, c/w TAB, PORT ASSEMBLY (Spares for EA3.31.5021) (Mod 5344)	1	—	TB1/2	
	Spares for:—				
EA1.31.709	. . ARM, MASS BALANCE, ASSEMBLY Consisting of:—	1	—	TB1/3	
EA1.31.713	. . . ARM, balance weight	1	S95	TB1/4	
EA1.31.705	. . . PIN, special, locking balance weight to arm	1	S95	TB1/5	
EA1.31.707	. . . PLUG, screwed, end fitting	1	S95	TB1/6	
EA1.31.711	. . . WEIGHT, mass balance	1	GEC	TB1/7	
EA1.31.129	. . . WEIGHT, balance make-up	1	Heavy Metal GEC	TB1/8	
	Attaching parts for EA1.31.129:—				
EA1.31.133	. . Bolt, special	2	MS	TB1/9	
	Attaching parts for EA1.31.709:—				
A27JS	. . Nut, 3/8" BSF	1	—	TB1/10	
SP90C7	. . Pin, split 1/18" dia	1	—	TB1/10A	
EEAS28/34JF	. . Washer	1	—	TB1/11	
SKEFCO					
CBA2	. . BALLRACE, elevator tab	1	—	TB5/1	
SKEFCO					
T.T.S8 ¹ / ₂	. . BALLRACE, tab control lever at tab torque mounting	1	—	TB5/2	
EA1.31.63	. . BOLT, special, bearing tab hinge	1	S11	TB5/3	
EA1.31.157	. . BRACKET, link mounting	1	L40	TB1/12	
	Attaching parts for EA1.31.157:—				
A25/5E	. . Bolt, 1/4" BSF	2	—	TB1/13	
A27EP	. . Nut, 1/4" BSF	2	—	TB1/14	
AGS2031/22	. . CIRCLIP, external, 11/16" dia	1	—	TB5/4	
AGS2030/22	. . CIRCLIP, internal 23 m/m	1	—	TB5/5	
EA1.31.11	. . ELEVATOR, PORT, ASSEMBLY (Pre-Mod 5097)	1	—	TB3/1	
EA3.31.5025	. . ELEVATOR, PORT, ASSEMBLY (Alt. R60/50 Mod 5097)	1	—		
	Spares for:—				
EA1.31.79	. . . BRACKET, hinge	3	—	TB3/2	
	Attaching parts for EA1.31.79:—				
A25/3C	. . . Bolt, 2BA	2	—	TB3/3	
AS1242/3C	. . . Bolt, 2BA	1	—	TB3/4	
A25/4C	. . . Bolt, 2BA	2	—	TB3/5	
AS1242/4C	. . . Bolt, 2BA	1	—	TB3/5A	
AGS2001C1/66	. . . Nut, 2BA	3	—	TB3/6	
SP125C	. . . Washer	3	—	TB3/7	
EA1.31.485	. . . COVER, hand hole	2	L72	TB3/8	
	Attaching parts for EA1.31.495:—				
AS1242/1C	. . . Bolt, 2BA	8	—	TB3/9	

TAIL UNIT

TAILPLANE AND ELEVATORS

Part Number	Description	No. Off	Matl. Spec.	Plate No.
R EA1.31.7 HORN, ELEVATOR, PORT, ASSEMBLY (Pre Mod.5097)	1	—	TB3/10
EA3.31.5033 HORN, ELEVATOR, PORT, ASSEMBLY (Alt. R60/50 - Mod.5097)	1	—	
	Spares for:			
EA1.31.51 BRACKET, horn (pre Alt. R60/50 - Mod.5097)	1	L53	TB3/11
R EA3.31.5009 BRACKET, horn (Alt. R60/50 - Mod.5097)	1	DTD300	
R AGS2001C1-66 NUT	8	—	TB3/13A
R AGS2002C1 NUT	3	—	TB3/12A
R AGS2001E1-66 NUT	16	—	TB3/14A
EEAS1/2C SCREW, 2BA	3	—	TB3/12
EEAS1/4C SCREW, 2BA	8	—	TB3/13
EEAS1/4½E SCREW, ¼" BSF	16	S96	TB3/14
EA1.31.91 SPIGOT, hinge	1	S96	TB3/15
	Attaching parts for EA1.31.91:			
R A27NP Nut, ½BSF	1	—	TB3/15A
R SP124N Washer (Mod.5097)	1	—	TB3/15B
R SP124D WASHER	8	—	TB3/13B
R SP125D WASHER	3	—	TB3/12B
R SP124E WASHER	16	—	TB3/14B
EA3.31.25 WEIGHT, ELEVATOR HORN BALANCE, ASSEMBLY	1	—	TB3/16
	Consisting of:			
EA3.31.29 BOLT, special	1	MS	TB3/17
R EA3.31.27 DISC, balance weight	1	DTD126A	TB3/18
EA1.31.333 DISC, balance weight	QR	L64	TB3/19
R EA1.31.339 HOUSING, balance weight	1	—	TB3/20
SP42J WASHER, tab	1	—	TB3/21
SP15J WASHER	QR	—	TB3/22
EA3.31.39 WEIGHT, mass balance	1	S92	TB3/23
EA3.31.41 WEIGHT, mass balance	QR	S92	TB2/24
EA1.31.83 HOUSING, bearing tab spar	1	L40	TB3/25
	Attaching parts for EA1.31.83:			
A27CT Nut, 2BA	4	—	TB3/25A
EEAS1/2C Screw, 2BA	4	—	TB3/28
SP16C Washer	4	—	TB3/28A
EA1.31.679 MEMBER, trailing edge	1	L72	TB3/26
EA1.31.325 PACKING, trailing edge	8	Balsa	TB3/27
EEAS1/2½E SCREW, ¼" BSF	6	S11	TB2/29
EA1.31.15 SPAR ELEVATOR, MAIN, PORT ASSEMBLY (Pre Mod 5097)	1	—	TB1/15
R EA3.31.5035 SPAR, ELEVATOR, MAIN, PORT ASSEMBLY (Alt. R60/50 - Mod.5097)	1	—	
	Spares for:			
R EA1.31.249 BLOCK, support	1	—	TB6/17B
	Attaching parts for EA1.31.249:			
A25/10C Bolt, 2BA	2	—	TB6/17C
A27CP Nut, 2BA	2	—	TB6/17D
SP16C Washer	2	—	TB6/17E
EA1.31.169 BRACKET, C/W BALLRACE, ASSEMBLY	1	—	TB1/46
	Consisting of:			
T.T.S8½ BALLRACE	1	—	TB1/17
EEAS3K HOUSING	1	—	TB1/18
EA1.31.169A PLATE	1	L40	TB1/19
	Attaching parts for EA1.31.169:			
AS1246/4E Bolt, ¼" BSF	2	—	TB1/20
A27EP Nut, ¼" BSF	2	—	TB1/21
SP15E Washer	2	—	TB1/22

TAIL UNIT

TAILPLANE AND ELEVATORS

Part Number	Description	No. Off	Mati. Spec.	Plate No.
EA1.31.155	. . . LINK, restricting, operating lever travel Attaching parts for EA1.31.155:—	2	L72	TB1/32
AGS899/6	. . . Collar, 5/18" i/d	2	—	TB1/33
SP4YF11	. . . Pin	1	—	TB1/34
SP4YF13	. . . Pin	1	—	TB1/35
SP90E6	. . . Pin, split 3/32" x 3/4 "	2	—	TB1/36
SP15G	. . . Washer (Pre Mod.5097)	2	—	TB1/37
SP124G	. . . Washer (Alt. R60/50 - Mod.5097)	2	—	TB1/37A
A27GT	. . . NUT, 5/16" BSF	1	—	TB5/21
EA1.31.211	. . . NUT, special clamp torque tube	1	S1	TB5/14
EA1.31.363	. . . PLUG, elevator mechanism inspection	2	—	TB5/15
EA3.30.273	. . . ROD, CONNECTING, BETWEEN ELEVATOR TAB AND OPERATING LEVER ASSEMBLY (PRE MOD.4930) (PRE MOD.5097)	1	—	TB5/16
EA3.30.411	. . . ROD, CONNECTING, BETWEEN ELEVATOR TAB AND OPERATING LEVER ASSEMBLY (MOD.4930) (MOD.5097) Spares for:—	1	—	
EA1.31.99 ROD-END	1	DTD683	TB5/17
EA1.31.101 ROD-END, assembly Attaching parts for EA3.30.273 or EA3.30.411:—	1	—	TB5/18
EA1.31.65	. . . Bolt, special, connecting rod bearing	2	S65	TB5/19
A27CS	. . . Nut, 2BA	2	—	TB5/20
SP90C7	. . . Pin, split 1/16" dia	2	—	TB5/11
EEAS27/8/4	. . . Shim washer	1	—	TB5/22
SP15C	. . . Washer	2	—	TB5/23
SP16C	. . . Washer	2	—	TB5/24
SP124D	. . . Washer (Alt. R60/50 - Mod.5097)	2	—	TB5/23A
SP125D	. . . Washer (Alt. R60/50 - Mod.5097)	2	—	TB5/24A
HOFFMANN CF2 or RANSOME & MARLES CM3/16C	. . . ROD-END, assembly	1	—	TB5/6
R EA3.00.5487	. . . ROD-END, assembly TAB, ELEVATOR, PORT ASSEMBLY (Spares for EA3.31.5051) (Pre-Mod 5344)	1	—	TB4/2
R EA3.00.5731	. . . TAB, ELEVATOR, PORT ASSEMBLY (Spares for EA3.31.5051) (Mod 5344) Spares for:—	1	—	
EA3.31.53 ARM, support balance weight Attaching parts for EA3.31.53:—	8	L40	TB4/3
A29EP Nut, 1/4 " BSF	1	—	TB4/4
EA1.31.269 Tube, distance	1	—	TB4/4A
SP16E Washer	1	—	TB4/5
SP15E Washer	1	—	TB4/6

TAILPLANE AND ELEVATORS

Part Number	Description	No. Off	Matl. Spec.	Plate No.	
					1
EA1.31.49	. . . FITTING, tab hinge, inter, inboard	1	L65	TB4/7	
EA1.31.55	. . . FITTING, tab hinge, inter, outboard	1	L65	TB4/8	
EA1.31.57	. . . FITTING, tab hinge, inboard end	1	—	TB4/9	
EA3.31.23	. . . FITTING, tab hinge, outboard end	1	L40	TB4/10	
EA1.31.61	. . . PIN, special tab bearing	3	S11	TB4/11	
A27ET	Attaching parts for EA1.31.61: . . . Nut, 1/4" BSF	1	—	TB4/11A	
EA1.31.267	. . . PLATE, doubling (Pre Mod 5097)	8	—		
EA1.31.267	. . . PLATE, doubling (Alt.R60/73-Mod.5097)	4	—		
EA3.31.5055	. . . PLATE, reinforcing (Alt.R60/73-Mod.5097)	4	—		
EA1.31.445	. . . WEIGHT, balance	2	—	TB4/12	
EA1.31.355	. . . WEIGHT, balance	2	—	TB4/12A	
EA1.45.49	Attaching parts for EA1.31.445 or EA1.31.355: . . . Bolt, special	2	S1	TB4/13	
EA1.31.277	. . . Shim	1	Alum	TB4/14	
EA3.31.117	. . TORQUE TUBE AND BLOW BACK ROD ASSEMBLY Consisting of:	1	—	TB5/25	
EA1.31.167	. . . BRACKET, torque tube bearing	1	—	TB5/26	
EA1.31.443	. . . LEVER, operating	1	—	TB5/27	
EEAS1/5C	Attaching parts for EA1.31.443: . . . Bolt, 2BA	4	S11	TB5/28	
A27C S	. . . Nut, 2BA	4	MS	TB5/29	
SP90C7	. . . Pin, split 1/16" dia	4	—	TB5/29A	
SP15C	. . . Washer	4	—	TB5/30	
EA1.31.199	. . . TUBE, torsion, assembly	1	—	TB5/31	
EA1.31.193	. . . ROD, blow back, assembly	1	—	TB5/32	
A29JS	Attaching parts for EA1.31.193: . . . Nut, 3/8" BSF	1	—	TB5/33	
SP90C7	. . . Pin, split 1/16" dia	1	—	TB5/33A	
A25/5E	Attaching parts for EA3.31.117: . . . Bolt, 1/4" BSF	2	—	TB5/34	
A27ES	. . . Nut, 1/4" BSF	2	—	TB5/35	
SP90C7	. . . Pin, split 1/16" dia	2	—	TB5/35A	
R EA3.00.5505	. ELEVATOR, C/W TAB, STARBOARD ASSEMBLY (Spares for EA3.31.5023) (Pre-Mod 5344)	1	—		
R EA3.00.5707	. ELEVATOR, C/W TAB, STARBOARD ASSEMBLY (Spares for EA3.31.5023) (Mod 5344)	1	—	TB2/1	
EA1.31.710	Spares for: . . ARM, MASS BALANCE ELEVATOR, ASSEMBLY Consisting of:	1	—	TB2/2	
EA1.31.713	. . . ARM, balance weight	1	S95	TB2/3	
EA1.31.705	. . . PIN, special, locking balance weight to arm	1	S95	TB2/4	
EA1.31.707	. . . PLUG, screwed, end fitting	1	S95	TB2/5	
EA1.31.712	. . . WEIGHT, mass balance	1	GEC	TB2/6	
EA1.31.129	. . . WEIGHT, balance make-up	1	Heavy Metal GEC Heavy Metal	TB2/7	
EA1.31.133	Attaching parts for EA1.31.129: . . . Bolt, special	2	MS	TB2/8	
R EA1.31.710	Attaching parts for EA1.31.710:- . . . Nut, 1/4" BSF	1	—	TB2/9	
SP90C7	. . . Pin, split 1/16" dia	1	—	TB2/9A	
EEAS2B/34JF	. . . Washer	1	—	TB2/10	

TAIL UNIT
TAILPLANE AND ELEVATORS

Part Number	Description	No. Off	Matl. Spec.	Plate No.
SKEFKO CBA2	. . . BALLRACE, elevator tab	1	—	TB5/1
EA1.31.63	. . . BOLT, special, bearing tab hinge	1	S11	TB5/3
EA1.31.275	. . . BOLT, special stop	1	L40	TB2/11
AGS2030/22	. . . CIRCLIP, internal, 23m/m	1	—	TB5/5
EA1.31.13	. . . ELEVATOR, STARBOARD, ASSEMBLY (Pre Mod.5097)	1	—	TB2/12
EA3.31.5027	. . . ELEVATOR, STARBOARD ASSEMBLY (Alt. R60/50—Mod 5097) Spares for:—	1	—	
EA1.31.79	. . . BRACKET, hinge Attaching parts for EA1.31.79:	3	—	TB3/2
A25/3C	. . . Bolt, 2BA	2	—	TB3/3
AGS1242/3C	. . . Bolt, 2BA	1	—	TB3/4
AGS2001C1/66	. . . Nut, 2BA	2	—	TB3/6
SP16C	. . . Washer (Pre Mod.5097)	1	—	TB3/7
SP15C	. . . Washer (Pre Mod.5097)	1	—	
SP124D	. . . Washer (Alt.R60/50-Mod.5097)	1	—	
SP125D	. . . Washer (Alt.R60/50-Mod.5097)	1	—	
EA1.31.485	. . . COVER, hand hole Attaching parts for EA1.31.485:	1	L72	TB3/8
AS1242/1C	. . . Bolt, 2BA	8	—	TB3/9
EA1.31.8	. . . HORN, ELEVATOR, ASSEMBLY (Pre Mod 5097)	1	—	TB3/30
EA3.31.5034	. . . HORN, ELEVATOR, ASSEMBLY (Alt.R60/50-Mod.5097) Spares for:	1	—	
EA1.31.52	. . . BRACKET, horn (Pre Alt.R60/50-Mod.5097)	1	L53	TB3/31
EA3.31.5010	. . . BRACKET, horn (Alt R60/50-Mod.5097)	1	DTD300	
AGS2001C1-66	. . . NUT	8	—	TB3/13A
AGS2002C1	. . . NUT	3	—	TB3/12A
AGS2001E1-66	. . . NUT	16	—	TB3/14A
EEAS1/2C	. . . SCREW, 2BA	3	S95	TB3/12
EEAS1/4C	. . . SCREW	8	—	
EEAS1/4½E	. . . SCREW	16	—	
EA3.31.91	. . . SPIGOT, hinge Attaching parts for EA1.31.91:	1	S11	TB3/15
A27NP	. . . Nut	1	—	TB3/15A
SP124N	. . . Washer (Mod.5097)	1	—	TB3/15B
SP124D	. . . WASHER	8	—	TB3/13B
SP125D	. . . WASHER	3	—	TB3/12B
SP124E	. . . WASHER	16	—	TB3/14B
EA3.31.25	. . . WEIGHT, ELEVATOR, HORN BALANCE ASSEMBLY Consisting of:	1	—	TB3/16
EA3.31.29	. . . BOLT, special	1	MS	TB3/17
EA3.31.27	. . . DISC, balance weight	1	DTD126A	TB3/18
EA1.31.333	. . . DISC, balance weight	QR	L64	TB3/19
EA1.31.339	. . . HOUSING, balance weight	1	—	TB3/20
SP42J	. . . WASHER, tab	1	—	TB3/21
SP15J	. . . WASHER	QR	—	TB3/22
EA3.33.39	. . . WEIGHT, mass balance	1	S92	TB3/23
EA3.31.41	. . . WEIGHT, mass balance	QR	S92	TB3/24

R

R
R
R

AP101B-0402-3A

TAIL UNIT
TAILPLANE AND ELEVATORS

Part Number	1 2 3 4 5 6	Description	No. Off	Matl. Spec.	Plate No.
EA1.31.83	. . .	HOUSING, bearing, tab spar Attaching parts for EA1.31.83:—	1	L40	TB3/25
A27CT	. . .	Nut, 2BA	4	—	TB3/25A
EEAS1-2C	. . .	Screw, 2BA	4	—	TB3/28
SP16C	. . .	Washer	4	—	TB3/28A
EA1.31.679	. . .	MEMBER, trailing edge	1	L72	TB3/26
EA1.31.325	. . .	PACKING, trailing edge	8	Balsa Wood	TB3/27
EEAS1-2-1-2E	. . .	SCREW, 1-4" BSF	6	S11	TB3/29
EA1.31.17	. . .	SPAR ELEVATOR, MAIN STARBOARD ASSEMBLY (Pre Mod 5097) Spares for:—	1	—	TB3/13
EA1.31.53	BRACKET, hinge, elevator, centre (Pre Alt. R60/72 Mod 5097)	1	L53	TB6/4
EA3.31.5007	BRACKET, hinge, elevator, centre (Alt. R60/72 Mod 5097) Attaching parts for EA1.31.53 or EA3.31.5007:—	1	DTD300	
A25-4C	Bolt, 2BA	2	—	TB6/5
AS1242-5C	Bolt, 2BA	4	—	TB6/6
A27CP	Nut, 2BA	6	—	TB6/7

R

TAIL UNIT
TAILPLANE AND ELEVATORS

Part Number	Description 1 2 3 4 5 6	No. Off	Mati. Spec.	Plate No.

AP101B-0402-3A

TAIL UNIT
TAILPLANE AND ELEVATORS

Part Number	1 2 3 4 5 6	Description	No. Off	Matl. Spec.	Plate No.
EA9.31.89	SHIM	2	—	TB6/11
EA9.31.91	SHIM	2	—	TB6/12
EA1.31.421	BUSH, balance weight arm	1	S95	TB2/14
EA1.31.151	HINGE, elevator, inboard Attaching part for EA1.31.151:—	1	L45	TB2/15
EEAS37-8A	Nipple, 4BA	8	S11	TB2/16
EEAS38-2A	Spoke, 4BA (Make from Ref. 28R6124)	4	S11	TB2/17
EA1.31.91	SPIGOT, hinge Attaching parts for EA1.31.91:—	1	S11	TB6/20
A29NS	Nut, 1-2" BSF	1	—	TB6/8
SP90E8	Pin, split 3-32" dia	1	—	TB6/10
EA1.31.351	LEVER, stop, coupling arm attachment Attaching parts for EA1.31.351:—	1	DTD683	TB2/18
A25-5G	Bolt, 5-16" BSF	3	—	TB2/19
A27GT	Nut, 5-16" BSF	3	—	TB2/20
EA1.31.271	LEVER, COUPLING CONTROL, ASSEMBLY (Pre Mod 2705)	1	—	TB2/31
EA9.31.47	LEVER, COUPLING CONTROL, ASSEMBLY (MOD 2705) or (Mod 5097) Consisting of:—	1	—	
EA1.31.275	BOLT, special stop	1	L40	TB2/32
EA1.31.159	LEVER, elevator coupling (Pre Mod 2705)	1	—	TB2/33
EA9.31.45	LEVER, elevator coupling (Mod 2705) or (Mod 5097) Spares for:—	1	—	
R SKEFCO CBA3	BEARING, ballrace for lever EA1.31.159	1	—	TB2/34
R FAFNIR KSP6	BEARING, ballrace for lever EA9.31.45	1	—	
R A27JT	NUT, 3-8" BSF Attaching parts for EA1.31.271 or EA9.31.47:—	1	—	TB2/30
A25-7E	Bolt, 1-4" BSF	4	—	TB2/35
A25-8E	Bolt, 1-4" BSF	5	—	TB2/36
A27EP	Nut, 1-4" BSF	9	—	TB2/37
A27JT	NUT, 3-8" BSF	1	—	
EA1.31.363	PLUG, elevator, mechanism inspection	2	—	TB2/38
EA1.31.105	ROD, connecting, elevator tab gear Attaching parts for EA1.31.105:—	1	—	TB6/21
EA1.31.65	Bolt, special connecting rod bearing	1	—	TB6/22
A27CS	Nut, 2BA	1	—	TB6/23
SP90C5	Pin, split 1-16" dia	1	—	TB6/24
EEAS27-8-4	Shim, washer	1	—	TB6/25
SP15C	Washer	1	—	TB6/26
SP16C	Washer	1	—	TB6/27
R EA3.00.5507	TAB, ELEVATOR, STARBOARD ASSEMBLY (Spares for EA3.31.5053) (Pre-Mod 5344)	1	—	TB4/16
R EA3.00.5733	TAB, ELEVATOR, STARBOARD ASSEMBLY (Spares for EA3.31.5053) (Mod 5344)	1	—	TB4/6

TAIL UNIT

TAILPLANE AND ELEVATORS

Part Number	Description	No. Off	Matl. Spec.	Plate No.
EA3.31.53	Spares for: ARM, support, balance weight	12	L40	TB4/3
A29EP	Attaching parts for EA3.31.53: Nut, 1/4" BSF	1	—	TB4/4
EA1.31.269	Tube, distance	1	—	
SP15E	Washer	1	—	TB4/5
SP16E	Washer	1	—	TB4/6
EA1.31.50	FITTING, tab hinge, inter, inboard	1	L40	TB4/17
EA1.31.55	FITTING, tab hinge, inter, outboard	1	L40	TB4/18
EA3.31.23	FITTING, tab hinge, outboard end	1	—	TB4/10
EA1.31.499	FITTING, tab hinge, inboard end	1	—	TB4/19
EA1.31.61	PIN, special, tab bearing	3	S11	TB4/11
A27ET	Attaching parts for EA1.31.61: Nut, 1/4" BSF	1	—	
EA1.31.267	PLATE, doubling (Pre Mod.5097)	12	—	
EA1.31.267	PLATE, doubling (Alt.R60/73-Mod.5097)	6	—	
EA3.31.5055	PLATE, reinforcing (Alt.R60/73-Mod.5097)	6	—	
EA1.31.355	WEIGHT, balance inboard	2	—	TB4/20
EA1.31.353	WEIGHT, balance outboard	4	—	TB4/21
EA1.45.49	Attaching parts for EA1.31.355 and EA1.31.353: Bolt, special	2	S1	TB4/13
EA1.31.277	Shim, washer	1	—	TB4/14
EA1.30.1147	FAIRING, DETACHABLE, PORT, ASSEMBLY (Pre Mod.1277)	1	—	TB7/1
EA9.00.377	FAIRING, DETACHABLE, PORT, ASSEMBLY (Mod.1277)	1	—	
EA1.30.1107	Spares for: PANEL, access	1	L72	TB7/3
A33B12	Attaching parts for EA1.30.1107: Screw, 4BA	8	—	TB7/4
EA3.30.267	PLATE, insert (Mod.1277)	1	—	TB7/5
EA9.30.39	SEAL, spring (Mod.1277)	1	—	TB7/7
EA1.30.1148	FAIRING, DETACHABLE, STARBOARD, ASSEMBLY (Pre Mod.1277)	1	—	TB7/2
EA9.00.378	FAIRING, DETACHABLE, STARBOARD, ASSEMBLY (Mod.1277)	1	—	
EA1.30.1107	Spares for: PANEL, access	1	L72	TB7/3
A33B12	Attaching parts for EA1.30.1107: Screw, 4BA	8	—	TB7/4
EA3.30.268	PLATE, insert (Mod.1277)	1	—	TB7/6
EA9.30.40	SEAL, spring (Mod.1277)	1	—	TB7/8
A25/3C	Attaching parts for EA1.30.1147 or EA9.00.377 & EA1.30.1148 or EA9.00.378: Bolt, 2BA	2	—	TB7/9
A33C16	Screw, 2BA	4	—	TB7/10

R
R
R
R

TAILPLANE AND ELEVATORS

Part Number	Description	No. Off	Matl. Spec.	Plate No.
EA3.31.43	. LINK, connecting Attaching parts for EA3.31.43:	1	DTD683	TB6/28
A25/14J	. Bolt, 3/8" BSF	1	—	TB6/29
EA3.31.45	. Bolt, special	1	S95	TB6/1
A27JS	. Nut, 3/8" BSF	2	—	TB6/30
SP90C7	. Pin, split 1/16" dia	2	—	TB6/30A
SP16J	. Washer	1	—	TB6/31
EA1.31.165	. Washer	2	—	TB6/31A
A27JT	. NUT, 3/8" BSF	1	—	TB6/34A
A27JTL	. NUT, 3/8" BSF	1	—	TB6/34B
A27NC	. NUT, 1/2" BSF	2	—	TB9/32
A58ES	. NUT, 1/4" BSF	1	—	TB6/38
SP90C7	. PIN, split 1/16" dia	1	—	TB6/39
SP90E8	. PIN, split 3/32" dia	2	—	TB9/33
EA3.31.49	. PLATE, locking for serrated brush Attaching parts for EA3.31.49:	1	S95	TB6/32
A33C16	. Screw, 2BA	1	—	TB6/33
EA1.31.279	. ROD, end c/w ballrace, tab operating (Pre Alt.R60/16-Mod.5097)	1	—	TB6/34
EK5.31.607	. ROD, end c/w ballrace, tab operating (Alt.R60/14-Mod.5097)	1	—	
EB8.31.31	. SCREW, special	1	—	TB6/35
EA3.00.1003	. TAILPLANE, ASSEMBLY (Pre Mod.5097) (Pre Mod.5261)	1	—	TB7/35
EA3.00.5521	. TAILPLANE, ASSEMBLY (Mod.5261)	1	—	
EA3.00.5519	. TAILPLANE, ASSEMBLY (This tailplane reworked to dwg EA3.03.267 will fit Canberra MK.2) Spares for:	1	—	
EA9.30.9	. . BLOCK	1	—	TB7/36
EA9.30.10	. . BLOCK	1	—	TB7/37
EA9.30.11	. . BLOCK	1	—	TB7/38
EA9.30.12	. . BLOCK	1	—	TB7/39
EA9.30.17	. . BLOCK	1	—	TB7/40
EA9.30.18	. . BLOCK	1	—	TB7/41
EA9.30.19	. . BLOCK	1	—	TB7/42
EA9.30.20	. . BLOCK	1	—	TB7/43
EA9.30.13	. . PACKING	1	—	TB7/44
EA9.30.14	. . PACKING	1	—	TB7/45
EA9.30.15	. . PACKING	1	—	TB7/46
EA9.30.16	. . PACKING	1	—	TB7/47
EA9.30.21	. . PACKING	1	—	TB7/48
EA9.30.22	. . PACKING	1	—	TB7/49
EA9.30.23	. . PACKING	1	—	TB7/50
EA9.30.24	. . PACKING	1	—	TB7/51
EA3.30.265	. . PLATE, insert	1	—	TB7/52
EA3.30.266	. . PLATE, insert	1	—	TB7/53
EA9.30.35	. . SEAL	1	—	TB7/54
EA9.30.36	. . SEAL, spring assembly	1	—	TB7/55

R
R
R

TAIL UNIT
TAILPLANE AND ELEVATORS

Part Number	1 2 3 4 5 6	Description	No. Off	Mati. Spec.	Plate No.
EA1.30.1	. . .	TAILPLANE ASSEMBLY (Pre Mod.5261)	1	—	TB7/11
EA3.30.431	. . .	TAILPLANE, ASSEMBLY (Mod.5261)	1	—	
		Spares for:			
EA1.30.297	. . .	BOLT, special mounting between main spar and tailplane structure, bottom, port and starboard (Mod.5261 Amdt. 1)	4	S95	TB7/12
EA3.30.459	. . .	BOLT, special (Pre Mod.5261. Amdt.1)	4	—	
EA1.30.299	. . .	BOLT, special mounting between main spar and tailplane structure, top port and starboard	4	S65	TB7/13
A25/10L	. . .	BOLT, special jointing, at rib 1 to main spar bracket	4	—	TB7/14
EA1.30.323	. . .	BOLT, special jointing, at rib 1 to main spar bracket	1	S11	TB7/15
EA3.30.409	. . .	BOLT, special (Mod.5261 Amdt.1)	8	—	
EA3.30.461	. . .	BOLT, special (Pre Mod.5261. Amdt.1)	8	—	
EA1.30.413	. . .	BRACKET, TAILPLANE ACTUATOR CHANNEL ASSEMBLY	1	—	TB8/1
		Spares for:			
EA1.30.407	BLOCK, bearing	1	—	TB8/2
EA1.30.408	BLOCK, bearing	1	—	TB8/3
		Attaching parts for EA1.30.407 & EA1.30.408:			
EA1.30.379	Bolt, special 1/4" BSF	2	S65	TB8/4
A27EP	Nut, 1/4" BSF	2	—	TB8/5
SP16E	Washer	2	—	TB8/6
EA1.30.279	BUSH, bearing	2	S1	TB8/7
EA1.30.409	CHANNEL	1	—	TB8/7A
EA1.30.411	CHANNEL	1	—	TB8/7B
EA1.30.277	PIN, attachment	1	S11	TB8/8
SP90H10	PIN, split	1	—	TB8/8A
		Attaching parts for EA1.30.413:			
A25/7G	Bolt	4	—	
A27/GP	Nut	4	—	
EA1.30.5	. . .	EDGE, LEADING, TAILPLANE, PORT ASSEMBLY (Pre Mod.5261) (Supplied to drg. No. EA9.00.23 for spares purposes)	1	—	TB7/16
EA3.30.433	. . .	EDGE, LEADING, TAILPLANE, PORT ASSEMBLY (Mod.5261)	1	—	
		Spares for:			
R	—	RIB 3, FRONT ASSEMBLY (EA1.30.69)	—	—	
		Spares for:			
R	EA3.30.405	LUG, attachment (Mod. 4783)	1	S97	TB8/32
R	EA3.30.406	LUG, attachment (Mod. 4783)	1	S97	TB8/33
		Attaching parts for EA3.30.405 and EA3.30.406:			
R	A60/3G	Bolt	10	—	TB8/35
R	A58GT	Nut	10	—	TB8/37
R	SP124G	Washer	10	—	TB8/38

TAIL UNIT
TAILPLANE AND ELEVATORS

Part Number	Description	No. Off	Mati. Spec.	Plate No.
R EA1.30.6 EDGE, LEADING, TAILPLANE STARBOARD ASSEMBLY (Pre Mod. 5261) (Supplied to drg, No. EA9.00.24 for spares purposes)	1	—	TB7/18
R EA3.30.434 EDGE, LEADING, TAILPLANE STARBOARD ASSEMBLY (Mod. 5261)	1	—	
R — RIB 3, FRONT ASSEMBLY (EA1.30.69) Spares for:—	—	—	
R EA3.30.405 LUG, attachment (Mod. 4783)	1	S97	TB8/32
R EA3.30.406 LUG, attachment (Mod. 4783) Attaching parts for EA3.30.405 and EA3.30.406:—	1	S97	TB8/33
R A60/3G Bolt	10	—	TB8/35
R A58GT Nut	10	—	TB8/37
R SP124G Washer	10	—	TB8/38

TAIL UNIT
TAILPLANE AND ELEVATORS

Part Number	Description 1 2 3 4 5 6	No. Off	Matl. Spec.	Plate No.

TAILPLANE AND ELEVATORS

Part Number	Description	No. Off	Matl. Spec.	Plate No.
EA1.30.7 EDGE, TRAILING, TAILPLANE, PORT ASSEMBLY	1	—	TB8/9
	Spares for:			
EA1.30.49 BRACKET, HINGE, ELEVATOR OUTBOARD ASSEMBLY	1	—	TB8/10
	Spares for:			
SKEFCO BAL½ BALLRACE	1	BSS292	TB8/11
EA1.30.401 HOUSING, ballrace	1	DTD693	TB8/12
EEAS4/20G WASHER, packing 20 SWG	1	L72	TB8/13
	Attaching parts for EA1.30.49:			
A25/4C Bolt, 2BA	2	—	TB8/14
AS1242/5E Bolt, ¼" BSF	4	—	TB8/15
A27CP Nut, 2BA	2	—	TB8/16
A27EP Nut, ¼" BSF	4	—	TB8/17
EA1.30.257 Washer, packing	4	—	TB8/17A
EA1.30.117 BRACKET, HINGE, ELEVATOR, CENTRE PORT ASSEMBLY	1	—	TB8/18
	Consisting of:			
SKEFCO BAL½ BALLRACE	1	BSS292	TB8/19
EA1.30.399 HOUSING, ballrace	1	DTD683	TB8/20
	Attaching parts for EA1.30.117:			
EA1.30.121 Bolt, special	2	S.11	TB8/21
A27ES Nut ¼" BSF	2	—	TB8/22
SP90C7 Pin split 1/16" dia	2	—	TB8/22A
EA1.30.383 CUP, sealing elevator lock recess	2	L40	TB8/23
 RIB 3, REAR ASSEMBLY (EA1.30.93)	—	—	—
	Spares for:			
EA3.30.407 LUG, attachment (Mod.4783)	1	—	TB8/39
EA3.30.408 LUG, attachment (Mod.4783)	1	—	TB8/40
	Attachments for EA3.30.407 and EA3.30.408:			
A60/4G Bolt	10	—	TB8/41
A58GT Nut	10	—	TB8/37
SP125G Washer	10	—	TB8/42
EA1.30.3 EDGE, TRAILING, TAILPLANE STARBOARD ASSEMBLY	1	—	TB8/24
	Spares for:			
EA1.30.49 BRACKET, HINGE, ELEVATOR, OUTBOARD ASSEMBLY	1	—	TB8/10
	Consisting of:			
SKEFCO BAL½ BALLRACE	1	BSS292	TB8/11
EA1.30.401 HOUSING	1	DTD683	TB8/12
EEAS4/20G WASHER, packing	1	L72	TB8/13
	Attaching parts for EA1.30.49:			
A25/4C Bolt, 2BA	2	—	TB8/14
AS1242/5E Bolt, ¼" BSF	4	—	TB8/15
A27CP Nut 2BA	2	—	TB8/16
A27EP Nut ¼" BSF	4	—	TB8/17
EA1.30.257 Washer	4	—	TB8/17A

R

TAIL UNIT
TAILPLANE AND ELEVATORS

Part Number	Description	No. Off	Matl. Spec.	Plate No.
EA1.30.117	BRACKET, HINGE, ELEVATOR CENTRE STARBOARD C/W BALLRACE ASSEMBLY Consisting of:	1	—	TB8/18
SKEFCO BAL½	BALLRACE	1	BSS292	TB8/19
EA1.30.399	HOUSING, ballrace Attaching parts for EA1.30.117:	1	DTD683	TB8/20
EA1.30.121	Bolt, special	2	S11	TB8/21
A27ES	Nut, ¼" BSF	2	—	TB8/22
S90C7	Pin split 1/16" dia	2	—	TB8/22A
EA1.30.315	BRACKET, operating tab Attaching parts for EA1.30.315:	1	—	TB9/1
EA1.30.313	Bolt special	2	S11	TB9/2
A27ES	Nut, ¼" BSF	2	—	TB9/3
SP90C7	Pin, split 1/16" dia	2	—	TB9/3A
EA1.30.291	BRACKET, stop, elevator lever Attaching parts for EA1.30.291:	1	—	TB9/4
AS1242/3C	Bolt, 2BA	4	—	TB9/5
AGS2001C1/66	Nut, 2BA	4	—	TB9/6
SP16C	Washer	4	—	TB9/7
EA1.30.293	BRACKET, stop, elevator, upper Attaching parts for EA1.30.293:	1	—	TB9/8
AS1246/3C	Bolt, 2BA	4	—	TB9/9
AGS2001C1/66	Nut, 2BA	4	—	TB9/10
SP16C	Washer	4	—	TB9/11
EA1.30.383	CUP, sealing elevator lock recess	2	L40	TB8/23
EA1.30.93	RIB 3, REAR Spares for:	1	—	
EA3.30.407	LUG, attachment rib 3, trailing edge (Mod. 4783)	1	—	TB8/39
EA3.30.408	LUG, attachment rib 3, trailing edge (Mod. 4783) Attaching parts for EA3.30.407 and EA3.30.408:	1	—	TB8/40
A60/4G	Bolt	10	—	TB8/41
A58GT	Nut	10	—	TB8/37
SP125G	Washer	10	—	TB8/42
EA1.30.389	FAIRING, assembly, port	1	—	TB8/28
EA1.30.390	FAIRING, assembly, starboard Attaching parts for EA1.30.389 & EA1.30.390:	1	—	TB8/29
No12Cx1½"	Screw, self tapping type Z.4100	8	—	TB8/30
EA1.30.393	Washer plate	8	—	TB8/31
EA1.31.307	HOUSING, BEARING, CENTRE CONTROL, PORT ASSEMBLY (Pre Mod.5261) (Pre Mod.5097)	1	—	TB9/12
EK5.31.603	HOUSING, BEARING, CENTRE CONTROL PORT ASSEMBLY (Alt.P60/13 - Mod.5097) or (Mod.5261) Consisting of:	1	—	
SKEFCO CBA5	BALLRACE	1	—	TB9/13
AGS2030/57	CIRCLIP, internal 50 m/m	1	—	TB9/14
EA1.31.45	HOUSING, bearing (Pre Mod.5097) (Pre Mod.5261)	1	—	TB9/15
EK5.31.605	HOUSING, bearing (Alt.R60/13 -Mod.5097) or or (Mod.5261) Attaching parts for EA1.31.307 or EK5.31.603:	1	—	
A25/4G	Bolt, 5/16" BSF	3	—	TB9/16
A27GS	Nut, 5/16" BSG	3	—	TB9/17
SP90C7	Pin split 1/16" dia	3	—	TB9/17A

R
R
R
R

TAILPLANE AND ELEVATORS

Part Number	Description	No. Off	Matl. Spec.	Plate No.
EA1.31.308	. . . HOUSING, BEARING, CENTRE CONTROL STARBOARD ASSEMBLY (Pre Mod.5261) (Pre Mod.5097)	1	—	TB9/18
R EK5.31.604	. . . HOUSING, BEARING, CENTRE CONTROL, STARBOARD ASSEMBLY (Alt R60/13 - Mod.5097) or (Mod.5261) Consisting of:	1	—	
SKEFCO CBA5 BALLRACE	1	—	TB9/13
AGS2030/57 CIRCLIP, internal 50 m/m	1	—	TB9/14
R EA1.31.46 HOUSING (Pre Mod.5097) (Pre Mod.5261)	1	—	TB9/19
R EK5.31.606 HOUSING, bearing (Alt R60/13 - Mod.5097) or (Mod.5261)	1	—	
	Attaching parts for EA1.31.308 or EK5.31.604:			
A25/4G	. . . Bolt, 5/16" BSF	3	—	TB9/16
A27GS	. . . Nut, 5/16" BSF	3	—	TB9/17
SP90C7	. . . Pin, split 1/16" dia	3	—	TB9/17A
R AGS759G	. . . NUT, 7/16" BSF (Pre Mod.5261)	8	LA	TB7/32
R A27LP	. . . NUT, 7/16" BSF (Mod.5261)	8	—	
R AGS759H	. . . NUT, 1/2" BSF (Pre Mod.5261)	4	LA	TB7/33
R A27NP	. . . NUT 1/2" BSF (Mod.5261)	4	—	
R AGS759J	. . . NUT, 9/16" BSF (Pre Mod 5261)	4	LA	TB7/34
R A27PP	. . . NUT, 9/10" BSF (Mod.5261)	4	—	
R A27GP	. . . NUT, 5/16" BSF	8	—	TB8/36
EEAS66	. . . PLATE, serial record	1	—	TB8/25
EA1.30.33	. . . SPAR, MAIN TAILPLANE CENTRE SECTION ASSEMBLY	1	—	TB7/20
	Spares for:			
EA3.30.145 BUSH, hinge	4	S99	TB7/21
EA1.30.263 FORK, bottom	2	S65	TB7/22
EA1.30.265 FORK, top	2	S65	TB7/23
EA1.30.267 SHIM,	4	Alum	TB7/24
EEAS28/15JR WASHER 10SWG	8	L72	TB7/25
EEAS28/34JR WASHER	4	L72	TB7/26
EEAS28/38JR WASHER	4	L72	TB7/27
SP16N WASHER	4	LA	TB7/28
SP16P WASHER	4	LA	TB7/29
SP16Q WASHER	4	LA	TB7/30
SP16S WASHER	4	LA	TB7/31
R SP124G WASHER	8	—	TB8/38

TAILPLANE AND ELEVATORS

Part Number	Description	No. Off	Matl. Spec.	Plate No.
R EA1.30.373	. TAPPET, MICRO SWITCH, TAILPLANE TRAVEL LIMIT, ASSEMBLY (Pre Mod..5229)	1	—	TB9/18A
R EB6.30.21	. TAPPET, MICRO SWITCH, TAILPLANE TRAVEL LIMIT, ASSEMBLY (Mod.5229)	1	—	
R EA1.30.67	. . BODY, tappet (Pre Mod.5229)	1	L40	TB9/19A
R EB6.30.25	. . BODY, tappet (Mod.5229)	1	—	
EA1.30.371	. . COLLAR	1	L56	TB9/20
R EA1.30.365	. . PIN, tappet (Pre Mod.5229)	1	L40	TB9/21
R EB6.30.23	. . PIN, tappet (Mod.5229)	1	—	
AGS502/1	. . PIN, taper	1	LA	TB9/22
R EA1.30.369	. . SPRING, compression (Pre Mod.5229)	1	DTD215	TB9/23
R EB6.30.27	. . SPRING, compression (Mod.5229)	1	—	
A27JT	Attaching parts for EA1.30.373 and EB6.30.21: . Nut, 3/8" BSF	1	—	TB9/24
R EA3.30.269	. TAPPET, MICRO SWITCH, TAILPLANE TRAVEL LIMIT, ASSEMBLY	1	—	TB9/25
	Consisting of:			
EA1.30.367	. . BODY, tappet	1	L40	TB9/26
EA1.30.371	. . COLLAR	1	L56	TB9/27
EA3.30.277	. . PIN, tappet	1	L64	TB9/28
EA1.30.369	. . SPRING, compression	1	DTD215	TB9/29
A27JT	Attaching parts for EA3.30.269: . Nut, 3/8" BSF	1	—	TB9/30
R EA1.31.361	. WASHER, special	2	L72	TB9/31
R SP15E	. WASHER, (Pre Mod 5097)	2	—	TB6/36
R SP16E	. WASHER (Pre Mod 5097)	1	—	TB6/37
R SP124E	. WASHER (Mod.5097)	2	—	
R SP125D	. WASHER (Mod.5097)	1	—	

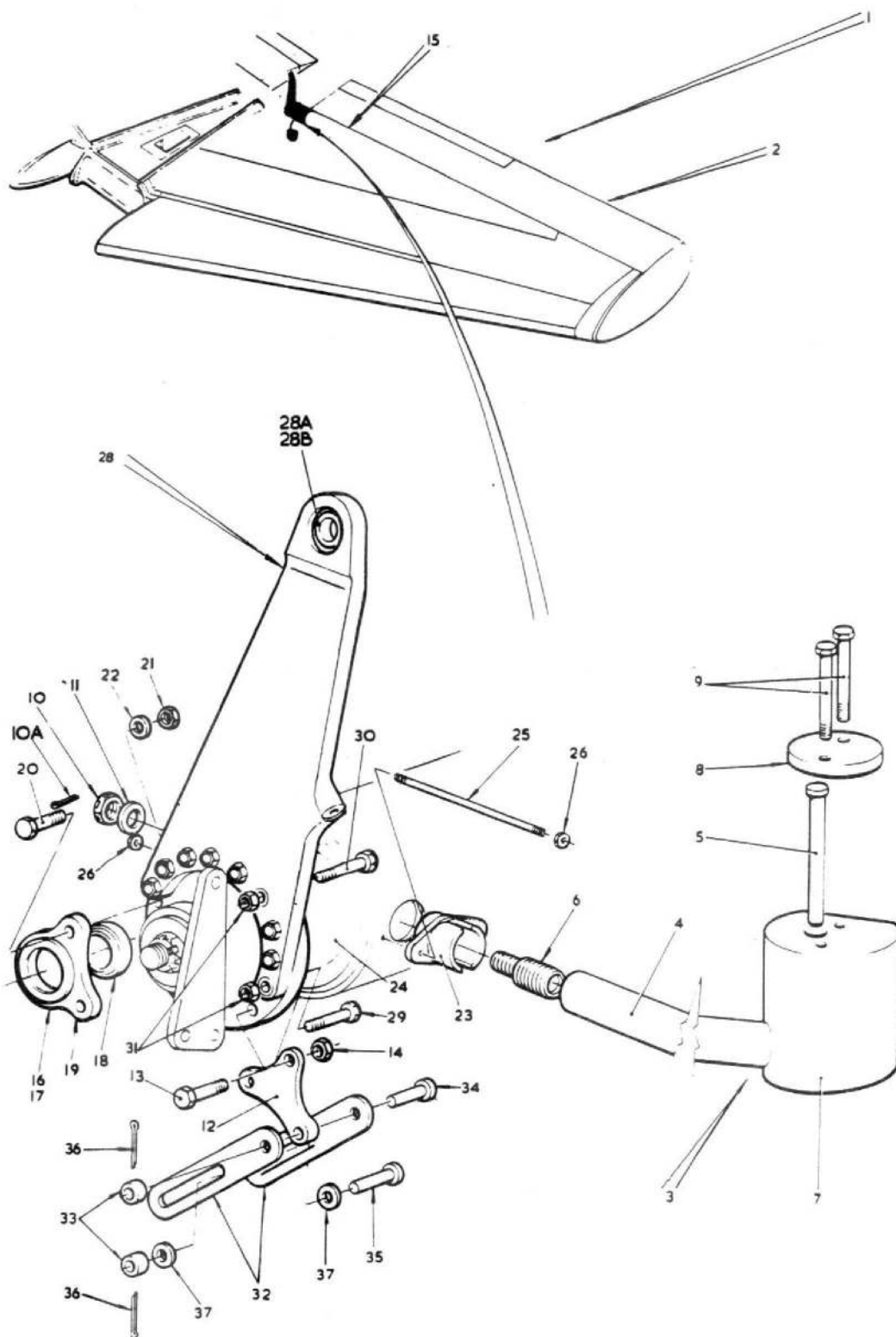


FIG 1 TAIL UNIT

CODE RS TZ

SECT TB

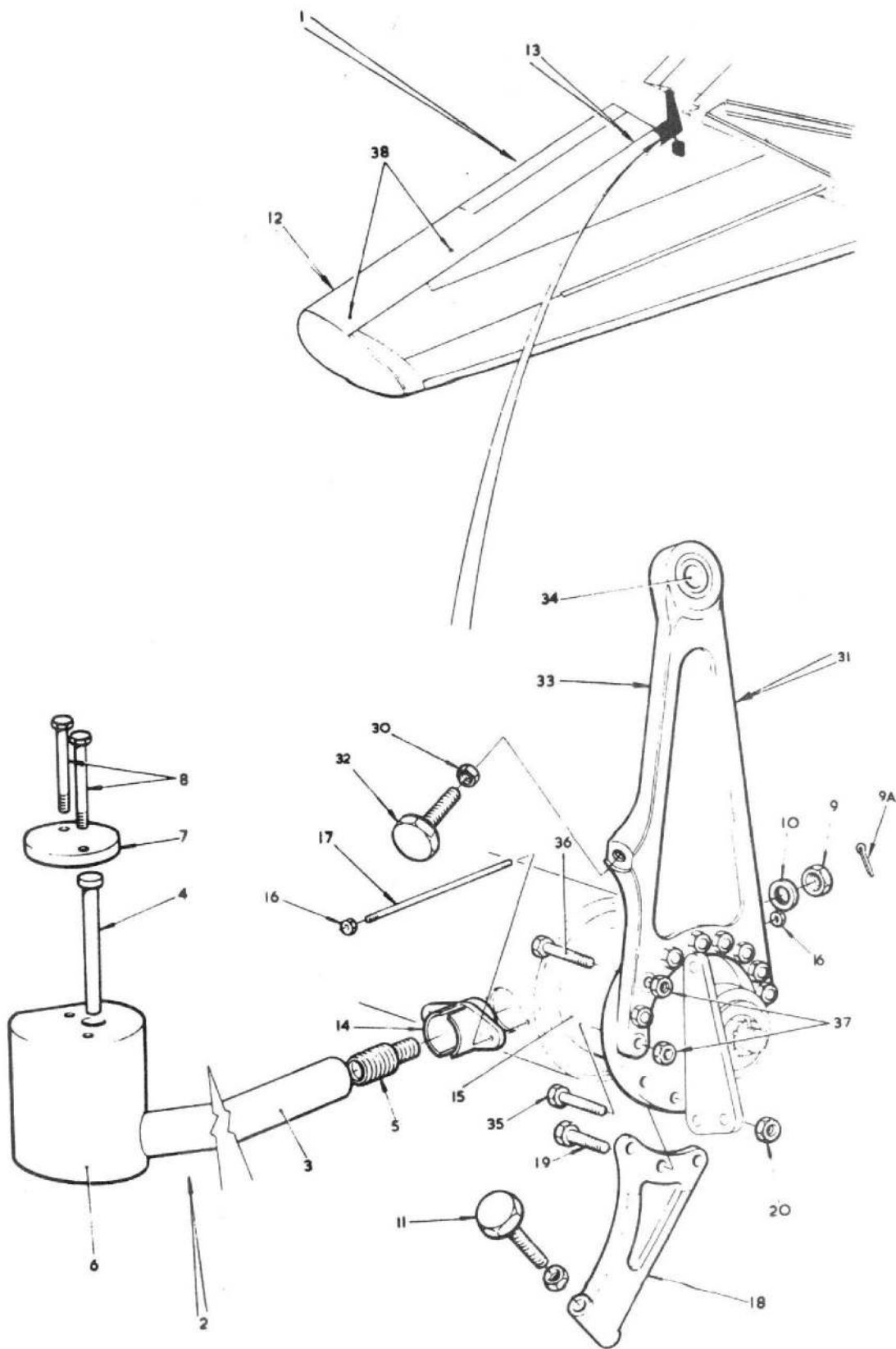


FIG 2 TAIL UNIT

CODE RSTZ

SECT TB

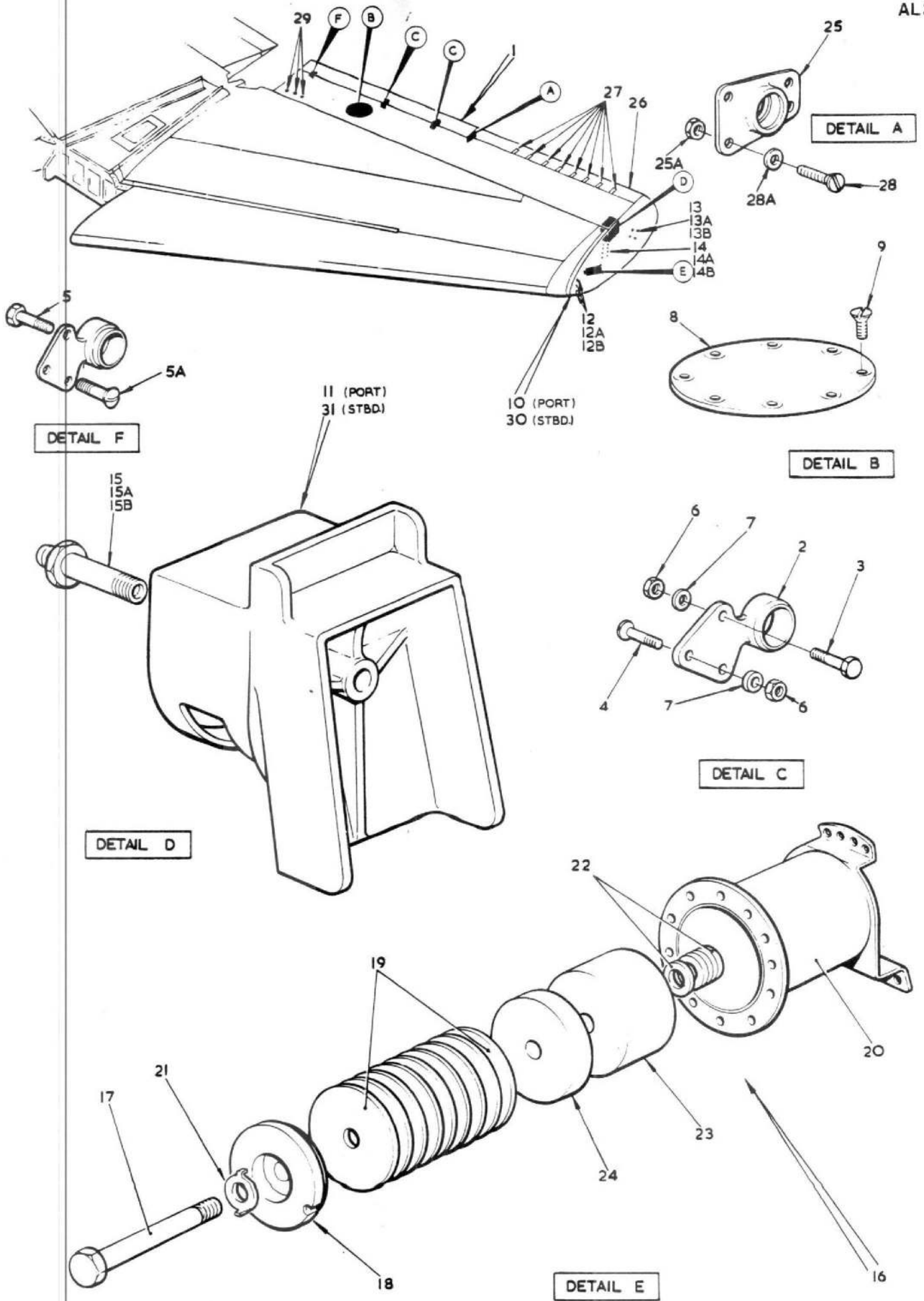


FIG 3 TAIL UNIT

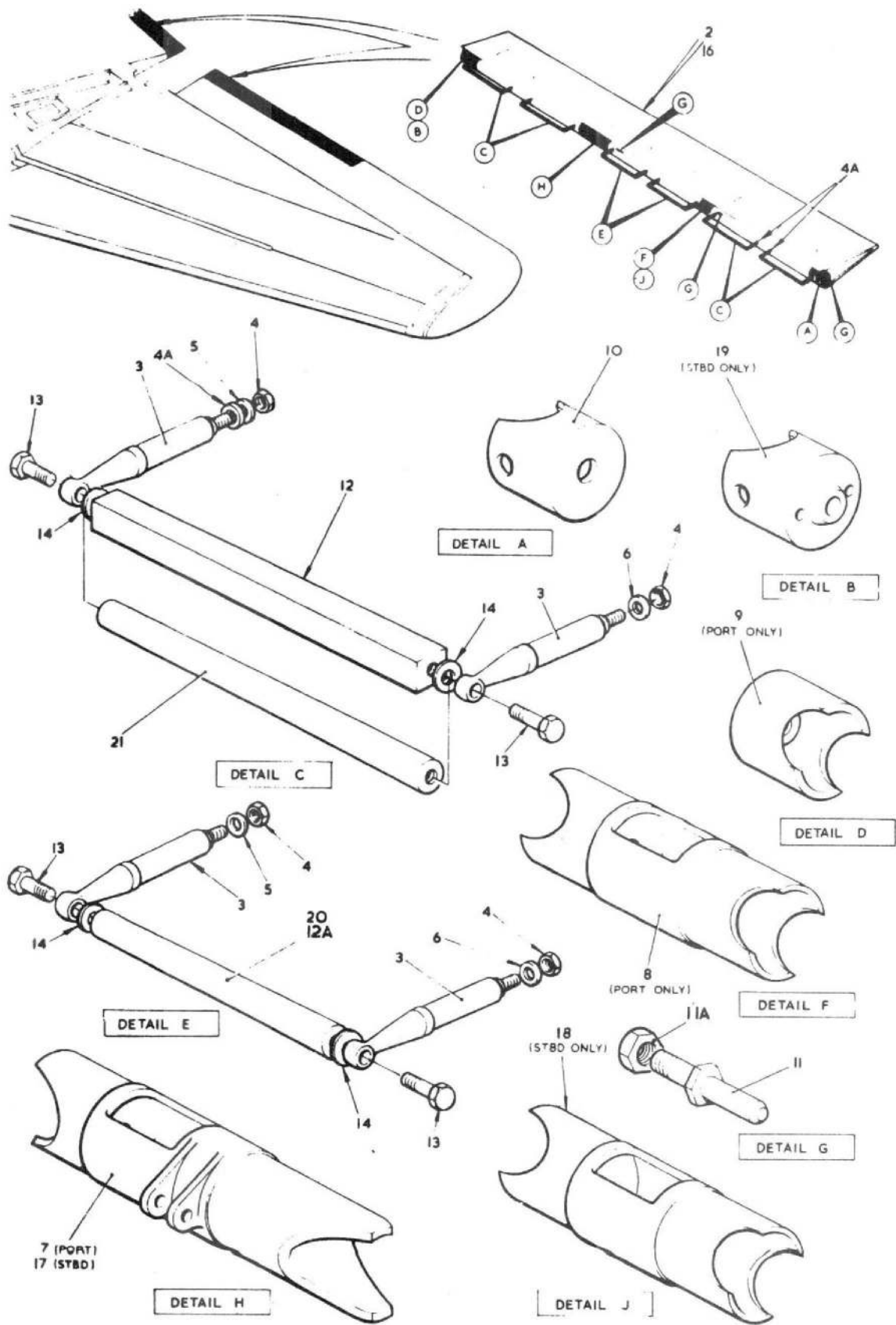


FIG. 4 TAIL UNIT

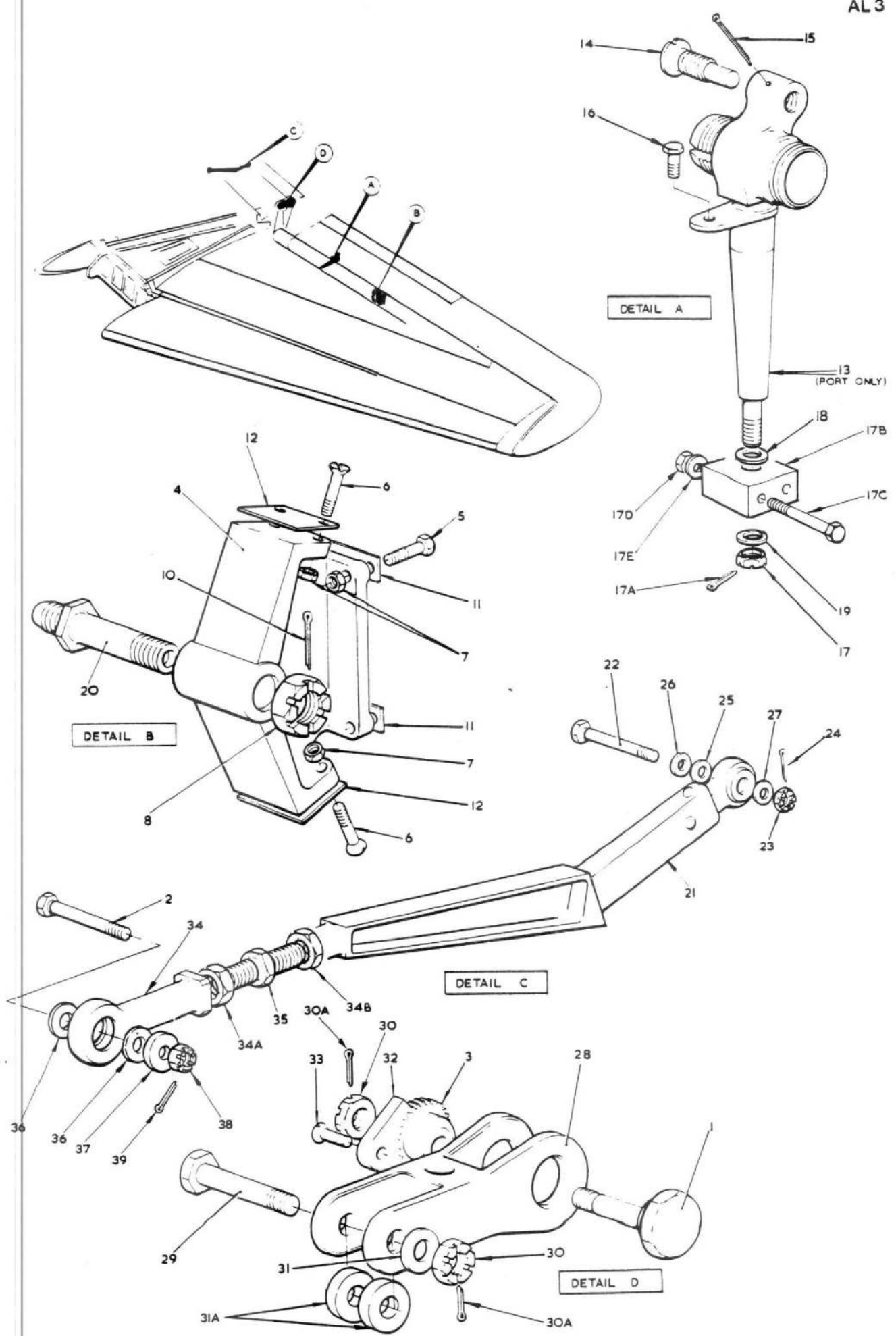


FIG 6 TAIL UNIT

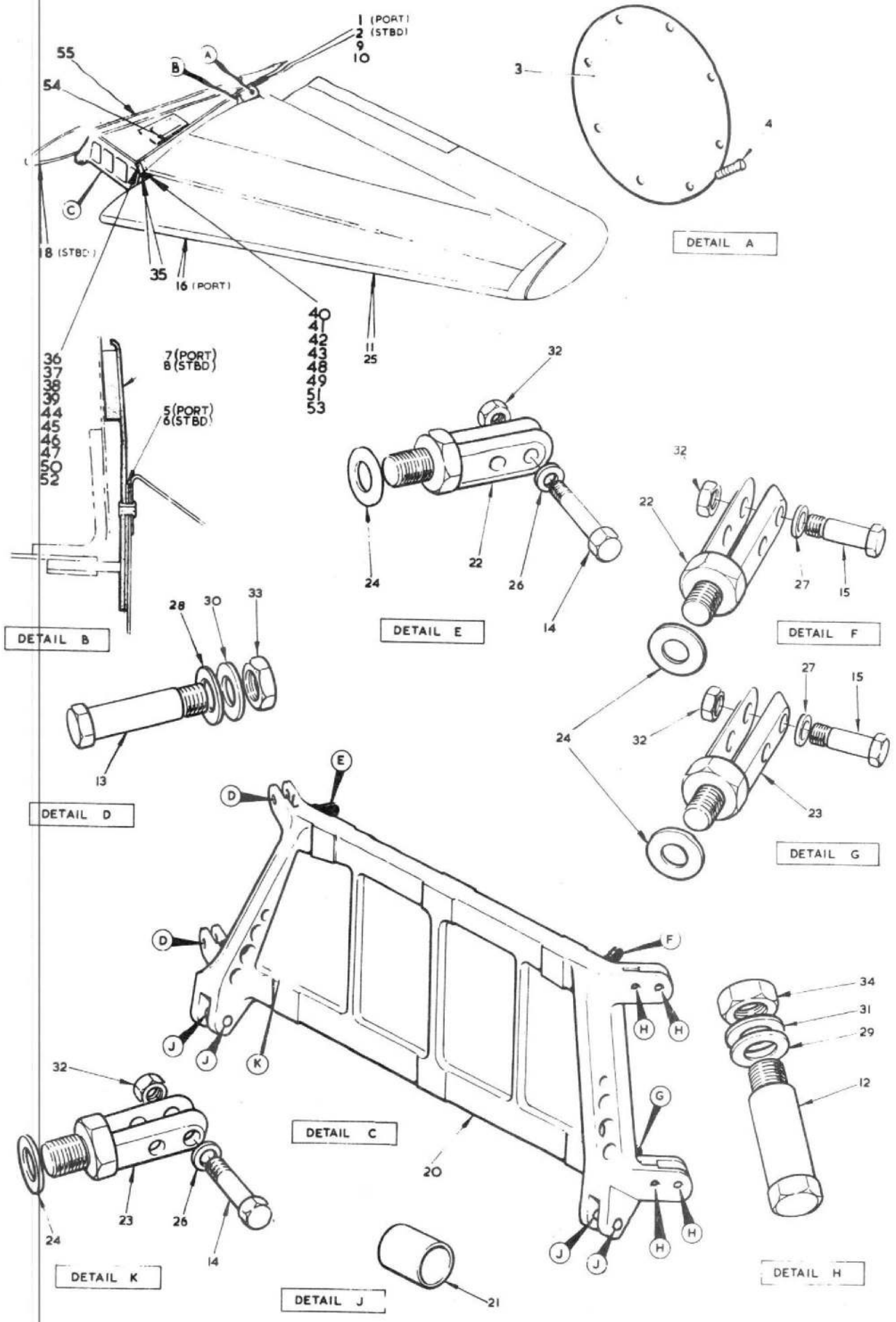


FIG 7 TAILPLANE AND ELEVATORS

CODE RST Z

SECT TB

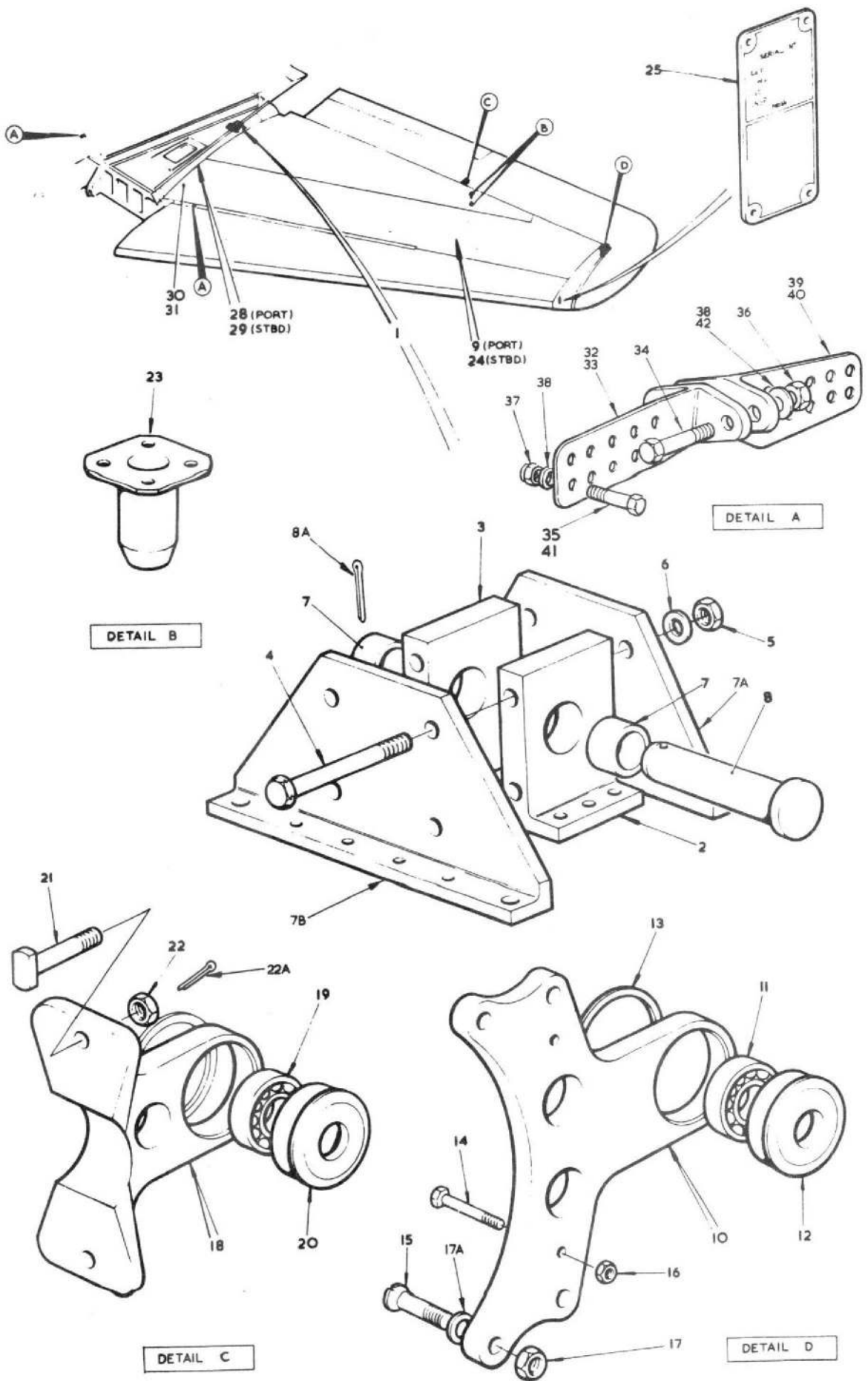


FIG 8 TAILPLANE AND ELEVATORS

CODE R

SECT TB

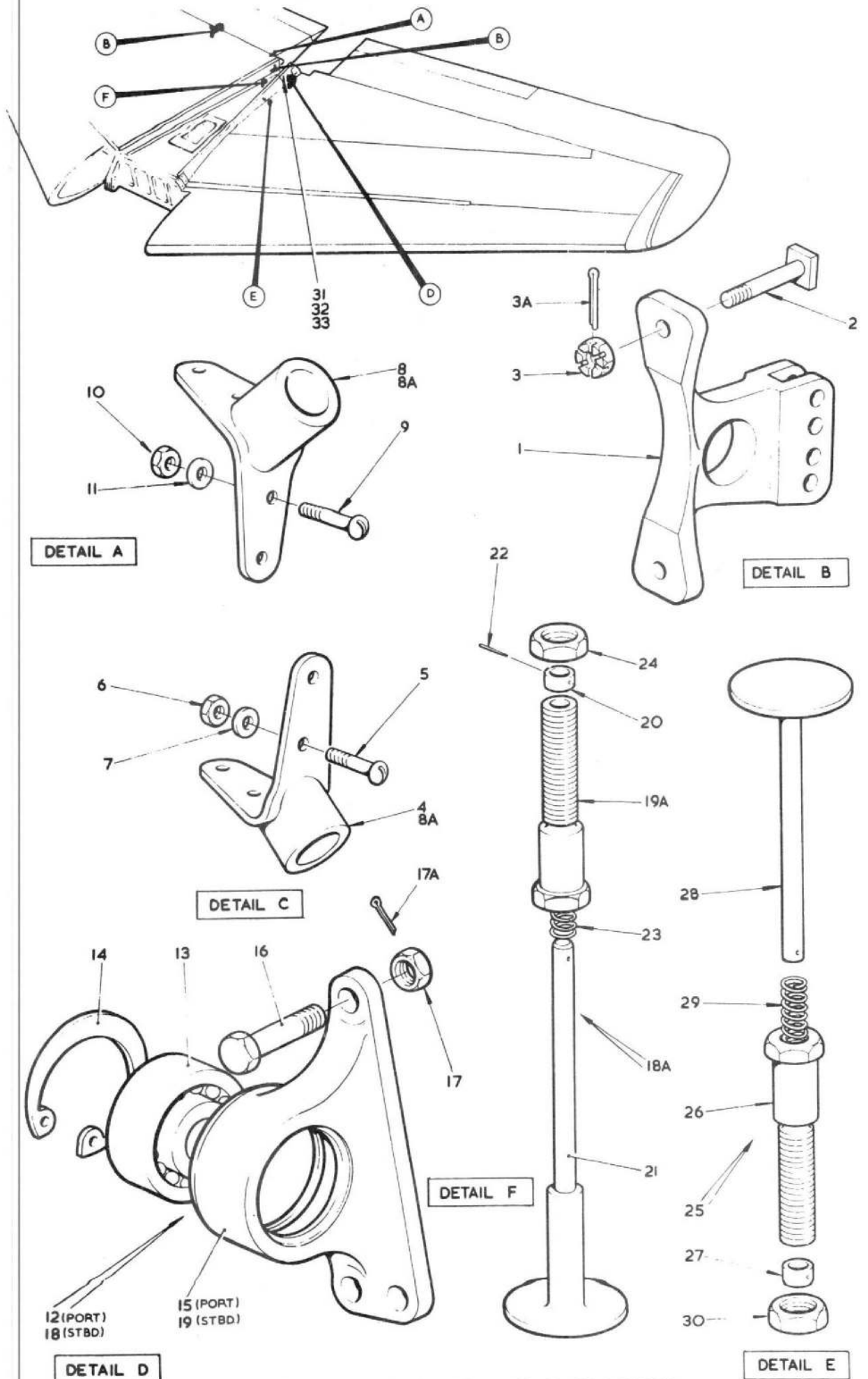


FIG 9 TAILPLANE AND ELEVATORS

This file was downloaded
from the RTFM Library.

Link: www.scottbouch.com/rtfm

Please see site for usage terms,
and more aircraft documents.

