

AP 101B-0402-3A

TANKS

JETTISON WING FUEL TANK

Part Number	Description	No. Off	Matl. Spec.	Plate No.						
				1	2	3	4	5	6	
EA3.00.505	TANK, 250 GALLON, JETTISONABLE, WING FUEL INSTALLATION, PORT (Pre Mod.2395)	-	-							
EB6.00.347	TANK, 250 GALLON, JETTISONABLE, WING FUEL INSTALLATION, PORT (MOD.2395)	-	-							
EA3.00.506	TANK, 250 GALLON, JETTISONABLE, WING FUEL INSTALLATION, STARBOARD (Pre Mod.2395)	-	-							
R EB6.00.348	TANK, 250 GALLON, JETTISONABLE, WING FUEL INSTALLATION, STARBOARD (MOD.2395) Consisting of:	-	-							
EA1.00.81	. ATTACHMENT DETAILS, DROP TANK TO WING, PORT	-	-							
EA1.00.82	. ATTACHMENT DETAILS, DROP TANK TO WING, STARBOARD Consisting of:	-	-							
EA1.20.2031	. . . BOLT, explosive	3	DTD683						UA1/1	
EA1.81.317	. . . DETONATOR, FORWARD, EXPLOSIVE BOLT, ASSEMBLY Consisting of:	1	-						UA1/10	
EA3.81.353 DETONATOR	1	-						UA1/2	
EA1.81.939 PLUG, detonator	1	-						UA1/3	
R H15 SLEEVE, 1/2" long	2	-						UA1/4	
R H50 SLEEVE, 1/2" long	1	-						UA1/5	
EA1.81.938 SPRING	1	-						UA1/6	
703-2-00315-020 TAG, quick release	2	-						UA1/7	
703-2-00339-021 THIMBLE	2	-						UA1/8	
EA1.81.428 TUBE, detonator	1	-						UA1/9	
R BS2848/3/85T TUBE, rubber	QR	-						UA1/9A	
EA1.81.318	. . . DETONATOR, REAR, OUTBOARD, EXPLOSIVE BOLT, ASSEMBLY Consisting of:	1	-						UA1/11	
EA3.81.353 DETONATOR	1	-						UA1/2	
EA1.81.939 PLUG, detonator	1	-						UA1/3	
R H15 SLEEVE, 1/2" long	2	-						UA1/4	
R H50 SLEEVE, 1/2" long	1	-						UA1/5	
EA1.81.938 SPRING	1	-						UA1/6	
R 703-2-00315-020 TAG, quick release	2	-						UA1/7	
R 703-2-00339-020 THIMBLE	2	-						UA1/8	
EA1.81.428 TUBE, detonator	1	-						UA1/9	
R BS2848/3/85T TUBE, rubber	QR	-						UA1/9A	
EA1.81.599	. . . DETONATOR, REAR, INBOARD, EXPLOSIVE BOLT, ASSEMBLY Consisting of:	1	-						UA1/12	
EA3.81.353 DETONATOR	1	-						UA1/2	
EA1.81.939 PLUG, detonator	1	-						UA1/3	
R H15 SLEEVE, 1" x 1/2"	2	-						UA1/4	
R H50 SLEEVE, 3" x 1/2"	1	-						UA1/5	
EA1.81.938 SPRING	1	-						UA1/6	
R 703-2-00315-020 TAG, quick release	2	-						UA1/7	
R 703-2-00339-020 THIMBLE	2	-						UA1/8	
EA1.81.428 TUBE, detonator	1	-						UA1/9	
R BS2848/3/85T TUBE, rubber	QR	-						UA1/9A	
AGS2002Q1	. . . NUT, stiff, 5/8" BSF	3	-						UA1/9B	
EA1.57.1239	. . . PIPE, air break, c/w stop	1	-						UA1/13	
EA1.57.1241	. . . PIPE, fuel break, c/w stop	1	-						UA1/14	
EA1.20.10505	. . . WASHER, special, explosive bolt	3	DTD124						UA1/15	
EA1.20.8833	. . . WASHER, special, explosive bolt	3	DTD683						UA1/16	

JETTISON WING FUEL TANK

Part Number	Description	No. Off	Matl. Spec.	Plate No.
EA3.62.175	. TANK, DROP, PORT ASSEMBLY (PRE MOD.2395)	1	—	
EA3.62.217	. TANK, DROP, PORT ASSEMBLY (MOD 2395)	1	—	UA1/17
or BRISTOL A/C 75-04-0001				
EA3.62.176	. TANK, DROP, STARBOARD ASSEMBLY (PRE MOD.2395)	1	—	
EA3.62.218	. TANK, DROP, STARBOARD, ASSEMBLY (Mod.2395)	1	—	UA1/18
or BRISTOL A/C 75-04-0002				
EA3.62.113	. . Spares for: . . BLOCK, contact, navigation light Attaching parts for EA3.61.113:	1	—	UA1/19
A33B16	. . Screw, csk. head 4BA	2	—	UA1/19A
EA3.62.151	. . BODY, adaptor for filler cap Attaching parts for EA3.62.151:	1	—	UA1/20
AS1242/1C	. . Bolt, csk. head 2BA	18	—	UA1/20A
EA2.62.57	. . Ring, nut	1	—	UA1/20B
EA2.62.71	. . Washer, sealing	1	—	UA1/20C
EA3.62.191	. . CAP, FILLER, C/W INBOARD VENT VALVE, ASSEMBLY	1	—	UA1/21
EA3.62.159	. . . Spares for: . . RING, locking (Pre Mod.5239)	1	—	UA1/21A
EA3.62.219	. . . RING, locking (Mod.5239)	1	—	
EA2.62.143	. . . WASHER, sealing, filler cap assembly	1	—	UA1/22
EA3.62.197	. . . WASHER, sealing, vent valve head	1	Hycatrol 257	UA1/22A
5L/9952431	. . . FILAMENT, lamp	1	—	UA1/36
E & I 7733	. . . LAMP, navigation, type B, port	1	—	UA1/37
WNL 32P	. . . LAMP, navigation, type B, starboard Attaching parts for E & I 7733 and WNL32P:—	1	—	UA1/37A
AGS2002A1	. . Nut, stiff, 6BA	4	—	UA1/38
EA3.62.77	. . PANEL, access, top skin Attaching parts for EA3.62.77:	1	—	UA1/39
AS1248/1C	. . Bolt, mush. head 2BA	18	—	UA1/40
EA2.62.57	. . Ring, nut	1	—	UA1/41
EA2.62.71	. . Washer, sealing	1	—	UA1/42
EA2.62.73	. . PIPE AND MOUNTING, FUEL, PORT, ASSEMBLY	—	—	UA1/23
EA2.62.74	. . PIPE AND MOUNTING, FUEL, STARBOARD, ASSEMBLY	—	—	UA1/24
EA2.62.227	. . . Spares for: . . CLIP, bottom, air pipe	1	—	UA1/25
EA2.62.229	. . . CLIP, bottom, fuel pipe	1	—	UA1/26
SP91C	. . . CLIP, top, air pipe	1	—	UA1/25A
SP91J	. . . CLIP, top, fuel pipe	1	—	UA1/26A
EEAS77/84	. . . HOSE, connection, for fuel break pipe, 1 3/4" i/d x 1-5-8" o/d x 3" long	1	DTD625	UA1/27
EEAS77-32	. . . HOSE, connection, for fuel break pipe, 1/2" i/d x 3/4" o/d x 2 3/4" long	1	DTD625	UA1/28
AS4566/1B	. . . SCREW, 4BA mush. head	50	—	UA1/47
EA3.62.115	. . SEAL 'P' (Make from EEAS121) (26FZ/4432) (Pre Mod.5282)	1	—	UA1/34
EA3.62.223	. . SEAL, 'P' (Make from EEAS843) (26FZ/6147758) (Mod.5282)	1	—	
EA3.62.189	. . SOCKET, EARTHING, ASSEMBLY Consisting of:	1	—	UA1/29
EA3.62.181	. . . CAP, sealing	1	DTD683	UA1/30
EA3.62.177	. . . SOCKET, earth plug	1	DTD683	UA1/31
EA3.62.183	. . . SPRING	1	DTD215	UA1/32
No4. x 3/8"	. . . Attaching parts for EA3.62.189: . . Screw, self tapping, type Z	6	—	UA1/33A
EA3.62.185	. . Washer, sealing	1	Neo-K-Tex	UA1/33

JETTISON WING FUEL TANK

Part Number	Description	No. Off	Matl. Spec.	Plate No.
EA1.20.10897	. . VALVE, DRAIN, ASSEMBLY Spares for:	1	—	UA1/35
EA1.20.10901	. . . PLUG, DRAIN, ASSEMBLY Spares for:	1	—	UA1/43
EA1.20.10903 PLUG, housing	1	L40	UA1/44
EA1.20.10907 PLUG	1	L40	UA1/45
EA1.20.10905 RING, Hycatrol	1	Grade HE/4	UA1/46
EA3.62.117	. . WASHER, special	50	Petrolite	UA1/48
EA1.20.2903	. . WASHER, sealing	2	Neo-K-Tex	UA1/49

R

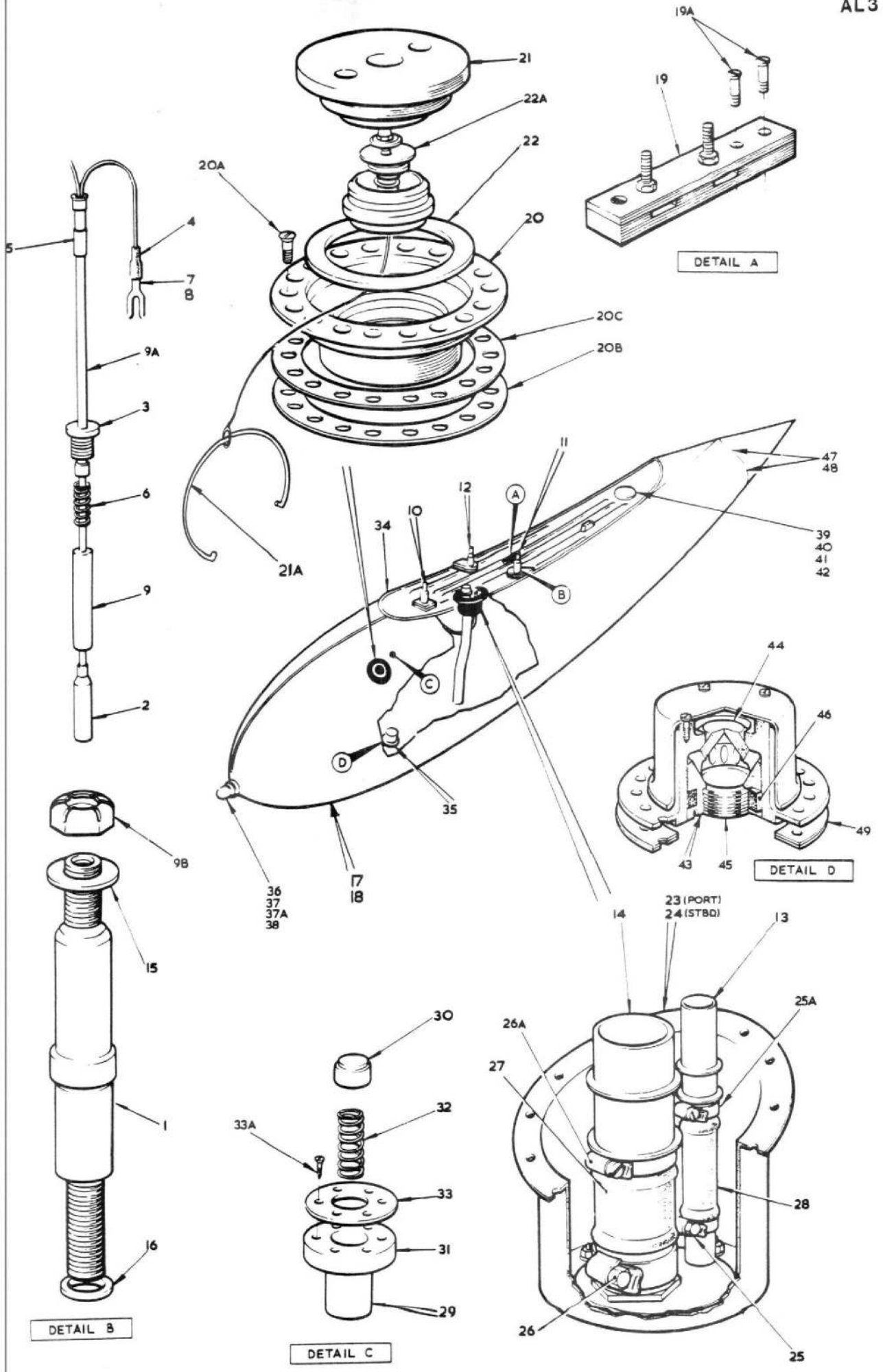


FIG.1 JETTISONABLE WING FUEL TANK

This file was downloaded
from the RTFM Library.

Link: www.scottbouch.com/rtfm

Please see site for usage terms,
and more aircraft documents.

