

CONTROLS
FLYING CONTROLS IN COCKPIT

Part Number	Description	No. Off						Mati. Spec.	Plate No.
		1	2	3	4	5	6		
EA4.45.3	CONTROLS, FLYING, IN COCKPIT, ASSEMBLY Spares for:—							—	DA1/1
EA4.45.389	. AILERON BIAS, ASSEMBLY Spares for:—							1	DA1/2
R E.E. Co. Ltd. BRADFORD AE259 Mk 2	. . . ACTUATOR, linear, Type 259 Attaching parts for Ref. AE259 Mk 2:—							1	DA1/3
EA6.45.345	. . . Bolt, shouldered							1	S92 DA1/4
A25/3E	. . . Bolt, 1/2" BSF							1	DA1/5
A27ES	. . . Nut, slotted, 1/4" BSF							2	DA1/6
SP90/C7	. . . Pin, split 1/16" dia							2	DA1/7
EA6.45.337	. . . ANGLE							1	L72 DA1/8
EA6.45.338	. . . ANGLE Attaching parts for EA6.45.337 and EA6.45.338:—							1	L72 DA1/9
A25/2C	. . . Bolt, 2BA							2	DA1/10
A25/1C	. . . Bolt, 2BA							4	DA1/11
AGS2001C1/68	. . . Nut, stiff, 2BA							6	DA1/12
SP13/C	. . . Washer							6	DA1/13
AGS899/4	. . . COLLAR							1	DA1/13A
EA4.45.485	. . . PACKING							QR	DA1/13B
SP4Y/D5	. . . PIN, 1/4" dia							1	DA1/13C
SP90C5	. . . PIN, split, 1/16" dia							1	DA1/13D
SP8Y16	. . . ROLLER							1	DA1/14
EA6.45.335	. . . TUBE, torque and levers, assembly Attaching parts for EA6.45.335:—							1	DA1/15
EA6.45.343	. . . Bolt, shouldered							1	S92 DA1/16
EA6.45.341	. . . Bush, oilite							2	DA1/17
A27ES	. . . Nut, slotted, 1/4" BSF							1	DA1/18
SP90C7	. . . Pin, split, 1/16" dia							1	DA1/19
SP42G	. . . Washer, tab							1	DA1/20
EA4.45.371	. CABLE, BRAKE CONTROL, ASSEMBLY Spares for:—							1	DA4/1
EA4.45.375	. . . CABLE, brake, instructor's control column							1	DA4/2
R EB2.15.2355	. . . CLIP, assembly Spares for:—							1	DA4/19
R EB2.15.2359 CLAMP							1	DA4/20
R EB2.15.2357 PLATE, back Attachments for clamp to plate:—							1	DA4/21
R AGS.2001/A/1 Nut, stiff, 6BA							2	DA4/22
R A31/A10 Screw, ch. hd, 6BA							2	DA4/23
L3/5578GF116	. CHARGE, H.E. emergency							1	DA7/1
EA4.45.9	. CONTROLS AND ATTACHMENTS ON PILOT'S FLOOR, ASSEMBLY (PRE-MOD 4499)							—	DA2/1
EA4.45.5227	. CONTROLS AND ATTACHMENTS ON PILOT'S FLOOR, ASSEMBLY (MOD 4499) (PRE-MOD 5068) (For Aircraft Not Embodying MOD 5098)							—	—
R EA4.45.5077	. CONTROLS AND ATTACHMENTS ON PILOT'S FLOOR, ASSEMBLY (MOD 5068) (For Aircraft Embodying MOD 5098) Spares for:—							—	—
EA4.45.395	. . BEARING, STUB, ASSEMBLY Consisting of:—							1	DA2/2
HOFFMANN ULS9	. . . BEARING, ballrace							1	DA2/3
SP90E10	. . . PIN, split, 3/32" dia							1	DA2/4
EA4.45.399	. . . RING, screwed							1	DTD683 DA2/5
EA4.45.595	. . . SPINDLE, stub bearing Attaching parts for EA4.45.395:—							1	DTD683 DA2/6
AS1242/2C	. . Bolt, csk. head, 2BA							4	DA2/7
EA1.45.107	. . BUSH							1	L40 DA3/1
EA4.45.715	. . CLIP, brake cable							2	DA3/2

CONTROLS
FLYING CONTROLS IN COCKPIT

Part Number	Description	No. Off	Matl. Spec.	Plate No.
EA4.45.17	. . . COLUMN, CONTROL, INSTRUCTOR'S ASSEMBLY	1	—	DA8/1
EA4.45.5071	. . . COLUMN, CONTROL, INSTRUCTOR'S ASSEMBLY (MOD 3816-S.O.O) (PRE-MOD 5081) (Supplied to Drg. EA4.00.145 for spares purposes) Spares for:—	1	—	
HOFFMANN T17	. . . BEARING, ballrace	1	—	DA8/2
HOFFMANN T25	. . . BEARING, ballrace	1	—	DA8/3
EA4.45.709	. . . BRACKET, drive brake switch (Pre-Mod 4043)	1	—	DA8/4
EA4.45.5139	. . . BRACKET, drive brake switch (Mod 4043)	1	L72	
R EA4.81.493	. . . CABLE, ASSEMBLY, N.688 (PRE-MOD 5091) Consisting of:—	1	—	DA8/5
R EA4.81.7063	. . . CABLE, assembly N.688 (Mod 5091)	1	—	
R EA4.82.245	. . . CABLE, assembly (Mod 1288)	1	—	
EA4.45.5033	. . . CLAMP, half, control column (Mod 3400)	1	L53	DA8/6
EA4.45.5031	. . . CLAMP, HALF, CONTROL COLUMN ASSEMBLY (MOD 3400) Spares for:—	1	—	DA8/7
EA4.45.5035 BUSH	1	—	DA8/8
EA4.45.5037 CLAMP, half Attaching parts for EA4.45.5033 and EA4.45.5031:—	1	L53	DA8/9
A25/7E	. . . Bolt, 1/4" BSF	2	—	DA8/10
AGS2001E1/66	. . . Nut, stiff, 1/4" BSF	2	—	DA8/11
SP13E	. . . Washer	2	—	DA8/12
EA4.45.29	. . . COLUMN, CONTROL, SUB-ASSEMBLY Spares for:—	1	—	DA8/13
EA4.45.3003 CASTING, top	1	DTD300	DA8/14
EA4.45.309 HOUSING, UPPER, BRAKE MECHANISM, ASSEMBLY Spares for:—	1	—	DA8/15
RESERVOIL RF176 BUSH	1	—	DA8/16
EA4.45.313 HOUSING, LOWER, BRAKE MECHANISM, ASSEMBLY Spares for:—	1	—	DA8/17
RESERVOIL RF176 BUSH	1	—	DA8/18
EA4.45.37 TUBE, 2 1/4" o/d x 20 SWG	1	T45	DA8/19
EA4.45.305 YOKE, bottom casting	1	DTD300	DA8/20
EA4.45.635	. . . COUPLING, R.H. brake lever	1	S92	DA8/21
EA4.45.393	. . . FORK-END, control column	1	S11	DA8/22
EA6.45.267	. . . GEAR, bevel (supplied with tube EA4.45.27)	1	—	DA8/23
EA6.45.265	. . . HOUSING, control column Attaching parts for EA6.45.265:—	1	S11	DA8/24
AS.1242/8C	. . . Bolt, mush hd, 2BA	3	—	DA8/25
AGS2002C1	. . . Nut, stiff, 2BA	3	—	DA8/26
R EA1.45.1059	. . . LABEL, "Quadrant to mesh centrally with control unit"	1	L72	DA8/27
R EA4.81.743	. . . LABEL	1	—	DA8/28

CONTROLS
FLYING CONTROLS IN COCKPIT

Part Number	Description	No. Off	Mati. Spec.	Plate No.
EA6.45.215	LEVER, BRAKE OPERATING, ASSEMBLY Spares for:—	1	—	DA8/29
EA6.45.217	CAP, for collar member	1	DTD126	DA8/30
EA6.45.219	COLLAR, fulcrum pin retaining	1	DTD683	DA8/31
EA6.45.221	LEVER	1	—	DA8/32
EA6.45.222	LEVER	1	—	DA8/32A
EA6.45.223	BLOCK, distance	1	—	DA8/32B
SP90B5	PIN, split, 3/64" dia	1	—	DA8/32C
SP90B3	PIN, split, 3/64" dia	2	—	DA8/32D
SP15C	WASHER	2	—	DA8/32E
R EA4.45.603	LEVER, brake operating Attaching parts for EA4.45.603:—	1	—	DA8/33
AGS899/2	Collar	2	—	DA8/33A
SP4Y/B14	Pin	1	—	DA8/33B
SP4Y/B15	Pin	1	—	DA8/33C
SP90C5	Pin, split, 1/16" dia	2	—	DA8/33D
SP15C	Washer	1	—	DA8/33E
EA4.45.323	LEVER, c/w ballrace, brake mechanism Attaching parts for EA4.45.323:—	1	—	DA8/34
AS2504/11E	Bolt, 1/4" BSF	1	—	DA8/34A
A27ES	Nut, 1/4" BSF	1	—	DA8/34B
SP90C7	Pin, split, 1/16" dia	1	—	DA8/34C
SP15E	Washer	1	—	DA8/34D
EA4.45.333	LINK, connecting brake, push rod Attaching parts for EA4.45.333:—	2	L72	DA8/35
AGS899/2	Collar	1	—	DA8/35A
SP4Y/B12	Pin	1	—	DA8/35B
SP90C5	Pin, split, 1/16" dia	1	—	DA8/35C
EA4.45.111	LUG, brake lever pivot	1	DTD683	DA8/36
EA4.45.665	MECHANISM, BRAKE OPERATING, ASSEMBLY Spares for:—	1	—	DA8/37
EA6.45.285	PIN, fulcrum brake lever cable operating	1	S92	DA8/38
EA6.45.255	PLUG, screwed, spring retaining	1	DTD683	DA8/39
EA4.45.633	PLUNGER	1	L40	DA8/40
EA6.45.251	SHAFT	1	S11	DA8/41
EA1.45.679	SPRING	1	DTD215	DA8/42
EEAS37/1A	NIPPLE, 6BA	1	S11	DA8/43
EA6.45.263	NUT, clamp bevel gear ballrace retaining	1	DTD683	DA8/44
EA6.45.269	NUT, clamp, ballrace retaining	1	DTD683	DA8/45
EA6.45.271	NUT, clamp ballrace retaining	1	DTD683	DA8/46
EA1.45.153	PLATE, cover at bottom casting	1	L72	DA8/47
EA4.45.621	PLATE, ring, brake mechanism	1	L72	DA8/48
EA6.45.273	PLATE, cover, brake mechanism Attaching parts for EA6.45.273:—	1	DTD683	DA8/49
A33C16	Screw	4	—	DA8/49A
EA6.45.283	PLATE, cover	1	L72	DA8/50
R EA4.81.741	PLATE, packing	1	—	DA8/51
EA4.45.319	ROD, push brake mechanism Attaching parts for EA4.45.319:—	1	—	DA8/53
AGS899/2	Collar	1	—	DA8/53A
AGS899/4	Collar	1	—	DA8/53B
SP4Y/D8	Pin	1	—	DA8/53C
SP4Y/B12	Pin	1	—	DA8/53D
SP90C5	Pin, split, 1/16" dia	1	—	DA8/53E
SP90C8	Pin, split, 1/16" dia	1	—	DA8/53F
EA4.45.343	Washer, packing	2	—	DA8/53G

CONTROLS
FLYING CONTROLS IN COCKPIT

Part Number	1 2 3 4 5 6	Description	No. Off	Mtl. Spec.	Plate No.
EA4.45.329	. . .	ROLLER, lower push rod attachments	1	Phos.Br. 288	DA8/54
EEAS.1/1C	. . .	SCREW, 2BA	4	HTS	DA8/55
EA1.31.277	. . .	SHIM, brake mechanism, cover plate	4	Alumn	DA8/56
or					
EEAS.27/8/4B	. . .	SHIM, brake mechanism, cover plate	4	—	DA8/57
EEAS.146/20	. . .	SLEEVE, 3/4" long	QR	—	DA8/58
EEAS.146/12	. . .	SLEEVE, 1" long	QR	—	DA8/59
EEAS.146/6	. . .	SLEEVE, 1" long	QR	—	DA8/60
EEAS.146/2	. . .	SLEEVE, 1" long	QR	—	DA8/61
EEAS.146/00	. . .	SLEEVE, 1" long	QR	—	DA8/62
EEAS.38/1A	. . .	SPOKE	2	S11	DA8/63
EA4.45.589	. . .	STOP, brake cable	1	DTD683	DA8/64
XD778	. . .	SWITCH (Pre-Mod 4004)	1	—	DA8/65
R XD776	. . .	SWITCH (Mod 4004)	1	—	
		Attaching parts for XD778 and XD776:—			
A32B12	. . .	Screw, 4BA	2	—	DA8/66
SP55B	. . .	Washer, spring	2	—	DA8/67
EA4.45.27	. . .	TUBE, INNER, AILERON OPERATING ASSEMBLY (Supplied with bevel gear EA6.45.267) Spares for:—	1	—	DA8/68
HOFFMANN T29	BEARING, ballrace	1	—	DA8/69
EEAS37/1A	NIPPLE, 6BA	4	S11	DA8/70
EA1.45.101	QUADRANT	1	—	DA8/70A
EEAS38/1A	SPOKE, 6BA	2	S11	DA8/71
EA4.45.39	TUBE, operating, 3/4" o/d x 4 SWG	1	T45	DA8/72
EA4.45.331	TUBE, distance, brake mechanism	1	L65	DA8/73
EA6.45.267	WASHER, special, brake mechanism	1	DTD683	DA8/74
EA3.45.413	WASHER, special	4	Alumn	DA8/75
EA4.45.711	WHEEL, CONTROL, ASSEMBLY (MOD 1927)	1	—	DA1/21
EA4.45.5067	WHEEL, CONTROL, ASSEMBLY (MOD 3816—S.O.O.) (PRE-MOD 5081) Spares for:—	1	—	
DUNLOP R AC61584	BLOCK, mounting switch (Mod 3816—S.O.O.) (Pre-Mod 5081) Attaching parts for AC61584:—	1	—	DA1/35
R A33B14	Screw, 4BA	2	—	DA1/36
DUNLOP ACO21077	CIRCLIP (Mod 1927)	1	—	
AGS2030/31	CIRCLIP	1	—	DA1/22
EA3.81.351	CLAMP assembly Attaching parts for EA3.81.351:—	1	—	DA1/23
A32.A16	Screw, round head, 6BA	2	—	DA1/24
A33B12	Screw, csk. head, 4BA	1	—	DA1/25
R EA4.45.619	COVER, switch intercomm (Pre-Mod 5401) Attaching parts for EA4.45.619:—	1	LFS21	DA1/26
R AS1242/1B	Bolt, 4BA	1	—	DA1/26A
R AS1242/2B	Bolt, 4BA	1	—	DA1/26B
EA6.45.353	DISC, blanking	1	—	DA1/27
EB6.45.57	MOUNTING, tailplane trim and isolating switches (Mod 1927)	1	—	DA1/28
R EB6.45.59	PIN, locating (Mod 1927)	1	—	DA1/43

CONTROLS

FLYING CONTROLS IN COCKPIT

Part Number	Description					No. Off	Mtl. Spec.	Plate No.
	1	2	3	4	5			
EA6.45.297	SOCKET, SWITCH, ASSEMBLY	1	-	DA1/29
DUNLOP	SWITCH, push-button (Mod 1927)	1	-	DA1/30
ACM26960	SWITCH, 2-way, tailplane trim (Mod 1927)	1	-	DA1/44
DUNLOP	SWITCH, push-button (Pre-Mod 5401)	1	-	DA1/37
AC14834	SWITCH, press to transmit assembly (Mod 5401)	1	-	DA1/38
SMITHS	Spares for:-			
C1387	PIECE, distance	1	L54	DA1/39
EA4-82-5376	PLATE, cover	1	L59	DA1/40
EG7.45.27	Attaching parts for EG7.45.33:-			
EG7.45.33	Screw, csk, 6BA	2	-	DA1/41
A33/A8	SWITCH	1	-	DA1/42
PAGE	WHEEL, control (Mod 1927)	1	-	DA1/32
B1640-H	WHEEL, control (Mod 3816-S.O.O) (Pre-Mod 5081)	1	-	
EA4.45.713	COLUMN, CONTROL, PUPIL'S ASSEMBLY (Pre-Mod 4043)	1	-	DA9/1
EA4.45.5065	COLUMN, CONTROL, PUPIL'S ASSEMBLY (Mod 4043)	1	-	
EA4.45.15	COLUMN, CONTROL, PUPIL'S ASSEMBLY (Mod 4043)	1	-	
EA4.45.5149	COLUMN, CONTROL, PUPIL'S ASSEMBLY (Mod 3816-S.O.O) (Pre Mod 5081)	1	-	
EA4.45.5073	Spares for:-			
HOFFMANN	BEARING, ballrace	1	-	DA9/2
T17	BEARING, ballrace	1	-	DA9/3
HOFFMANN	BRACKET, dive brake switch (Pre Mod 4043)	1	-	DA9/4
T25	BRACKET, dive brake switch (Mod 4043)	1	L72	
EA4.45.709	Attaching parts for EA4.45.709 or EA4.45.5139:-			
EA4.45.5139	Screw	4	-	DA9/4A
AGS.247/21	Washer	4	-	DA9/4B
AGS.162/B	CABLE, ASSEMBLY, N.69B (Pre-Mod 5091)	1	-	DA9/5
EA4.81.491	CABLE, ASSEMBLY, N.69B (Mod 5091)	1	-	
EA4.81.7061	CABLE, ASSEMBLY, RT.6A FROM T/B ON U/C INSTRUMENTS, TO 2-WAY T/B UNDER PUPIL'S FLOOR (Mod 3816-S.O.O) (Pre-Mod 5081)	1	-	
EA4.82.291	CABLE, BRAKE, ASSEMBLY	1	-	DA9/6
EA4.45.355	Consisting of:-			
BOWDEN	CABLE, bowdenite	QR	-	DA9/7
P19/2A	CONDUIT, bowdenite	QR	-	DA9/8
BOWDEN	EYE-END	1	S1	DA9/9
B2H	EYE-END	1	S1	DA9/10
EA4.45.339	FERRULE	2	-	DA9/11
or	FORK-END	1	S1	DA9/12
SP37A	FORK-END	1	S1	DA9/13
BOWDEN	STOP, plain, adjusting, c/w locknut	1	-	DA9/14
PN991/3	CLIP, pliable brake cable	2	-	DA9/15
EA4.45.337	COLUMN, CONTROL, SUB-ASSEMBLY	1	-	DA9/16
or	Spares for:-			
SP38/A	CASTING, top	1	DTD300	DA9/17
BOWDEN	STOP, adjustable	1	L65	DA9/18
PN476	TUBE, 2 1/4" o/d x 20 SWG	1	T45	DA9/19
BOWDEN	YOKE, bottom casting	1	DTD300	DA9/20
6/40	CORD, braided, waxed	QR	4F/35	DA9/15
EA4.45.45				
EA6.45.247				
EA4.45.353				
EA4.45.37				
EA4.45.35				
F-35 SECTION 2				

CONTROLS
FLYING CONTROLS IN COCKPIT

Part Number	Description						No. Off	Matl. Spec.	Plate No.
	1	2	3	4	5	6			
EA4.45.393	.	.	.				1	S11	DA9/21
EA6.45.267	.	.	.				1	—	DA9/22
EA6.45.265	.	.	.				1	S11	DA9/23
									Attaching parts for EA6.45.265:—
AS1242/8C	.	.	.				3	—	DA9/24
AGS2002C1	.	.	.				3	—	DA9/25
EA1.45.1059	.	.	.				1	L72	DA9/26
EA1.81.148	.	.	.				1	—	DA9/27
EA4.45.5145	.	.	.				1	—	
EA6.45.215	.	.	.				1	—	DA9/28
									Spares for:—
EA6.45.217	.	.	.				1	DTD126	DA9/29
EA6.45.219	.	.	.				1	DTD683	DA9/30
EA6.45.221	.	.	.				1	—	DA9/31
EA6.45.222	.	.	.				1	—	DA9/31A
EA6.45.223	.	.	.				1	—	DA9/31B
SP90B5	.	.	.				1	—	DA9/31C
SP90B3	.	.	.				2	—	DA9/31D
SP15C	.	.	.				2	—	DA9/31E
EA4.45.615	.	.	.				1	DTD721	DA9/32
or									
EA4.45.5075	.	.	.				1	—	DA9/33
									Attaching parts for EA4.45.615 and EA4.45.5075:—
AGS899/2	.	.	.				2	—	DA9/33A
SP4Y/B14	.	.	.				1	—	DA9/33B
SP4Y/B16	.	.	.				1	—	DA9/33C
SP90C5	.	.	.				2	—	DA9/33D
SP15C	.	.	.				1	—	DA9/33E
EA4.45.349	.	.	.				1	—	DA9/34
EA4.45.719	.	.	.				1	—	
									Attaching parts for EA4.45.719:—
AGS899/1	.	.	.				1	—	DA9/34A
AGS899/2	.	.	.				1	—	DA9/34B
SP4Y/A10	.	.	.				1	—	DA9/34C
SP4Y/B10	.	.	.				1	—	DA9/34D
SP90C5	.	.	.				2	—	DA9/34E
EA4.45.351	.	.	.				2	L65	DA9/73

CONTROLS
FLYING CONTROLS IN COCKPIT

Part Number	Description	No. Off	Mati. Spec.	Plate No.
EA3.45.257	. . . LUG, brake lever pivot	1	DTD683	DA9/35
EA4.45.665	. . . MECHANISM, BRAKE OPERATING, ASSEMBLY	1	-	DA9/36
	Spares for:-			
EA6.45.285 PIN, fulcrum brake lever operating	1	S92	DA9/37
EA6.45.255 PLUG, screwed, spring retaining	1	DTD683	DA9/38
EA4.45.633 PLUNGER	1	L40	DA9/39
EA6.45.251 SHAFT	1	S11	DA9/40
EA1.45.679 SPRING	1	DTD275	DA9/41
EEAS37/13A	. . . NIPPLE, 6BA	4	S11	DA9/42
EA6.45.263	. . . NUT, clamp, bevel gear ballrace retaining	1	DTD683	DA9/43
EA6.45.269	. . . NUT, clamp, ballrace retaining	1	DTD683	DA9/44
EA6.45.271	. . . NUT, clamp, ballrace retaining	1	DTD683	DA9/45
EA1.45.153	. . . PLATE, cover at bottom casting	2	L72	DA9/46
	Attaching parts for EA1.45.153:-			
A31B12	. . . Screw	2	-	DA9/46A
SP47B	. . . Washer	2	-	DA9/46B
EA3.45.259	. . . PLATE, brake locking	1	L72	DA9/47
EA3.45.261	. . . PLATE, brake mechanism, retaining	1	L72	DA9/48
EA6.45.273	. . . PLATE, cover brake mechanism	1	DTD683	DA9/49
	Attaching parts for EA6.45.273:-			
A33C16	. . . Screw	4	-	DA9/49A
EA6.45.283	. . . PLATE, cover (Pre-Mod 4043)	1	L72	DA9/50
EA4.45.5141	. . . PLATE, cover (Mod 4043)	1	L72	DA9/50
EA1.81.1207	. . . PLATE, packing (Pre-Mod 4043)	1	-	DA9/51
EA4.45.5143	. . . PLATE, packing (Mod 4043)	1	-	DA9/51
EA6.45.287	. . . PLUNGER, operating, brake mechanism	1	L40	DA9/52
EA3.45.265	. . . RING, locking brake mechanism	1	DTD683	DA9/53
EEAS1/1C	. . . SCREW, 2BA	4	HTS	DA9/54
EA1.31.277	. . . SHIM, brake mechanism, cover plate	4	Alumn	DA9/55
or				
EEAS27/8/4B	. . . SHIM, brake mechanism, cover plate	4	Alumn	DA9/56
EEAS146/20	. . . SLEEVE, 3/4" long	QR	-	DA9/57
EEAS146/12	. . . SLEEVE, 1" long	QR	-	DA9/58
EEAS146/6	. . . SLEEVE, 1" long	QR	-	DA9/59
EEAS146/2	. . . SLEEVE, 1" long	QR	-	DA9/60
EEAS146/00	. . . SLEEVE, 1" long	QR	-	DA9/61
EEAS38/1A	. . . SPOKE, 6BA	2	S11	DA9/62
EA3.45.263	. . . SPRING, locking plate compression	1	DTD215	DA9/63
XD778	. . . SWITCH (Pre-Mod 4004)	1	-	DA9/64
R XD776	. . . SWITCH (Mod 4004)	1	-	DA9/64
	Attaching parts for XD778 and XD776			
A32B12	. . . Screw, 4BA	2	-	DA9/65
SP55B	. . . Washer, spring	2	-	DA9/66
R 5F/9401209	. . . TAPE, empire 1/2"	QR	BS419	
or				
R 5F/9401210	. . . TAPE, empire 3/4"	QR	BS419	

CONTROLS
FLYING CONTROLS IN COCKPIT

Part Number	Description	No. Off	Mati. Spec.	Plate No.
EA4.45.27 TUBE, INNER, AILERON OPERATING, ASSEMBLY (Supplied with bevel gear EA6.45.267) Spares for:—	1	—	DA9/67
HOFFMANN T29 BEARING, ballrace	1	—	DA9/68
EEAS37/1A NIPPLE, 6BA	4	S11	DA9/69
EA1.45.101 QUADRANT	1	—	DA9/70
EEAS38/1A SPOKE, 6BA	2	S11	DA9/71
EA4.45.39 TUBE, operating, 3/4" o/d x 14 SWG	1	T45	DA9/72
EA6.45.261 WASHER, special brake mechanism	1	DTD683	DA9/74
EA3.45.413 WASHER, special bevel gear ball bearing thrust	1	Alumn	DA9/75
EA4.45.712 WHEEL, CONTROL, ASSEMBLY (Mod 1927)	1	—	DA1/31
EA4.45.5069 WHEEL, CONTROL, ASSEMBLY (Mod 3816—S.O.O) (Pre-Mod 5081) Spares for:—	1	—	
R AC61584	DUNLOP BLOCK, mounting switch (Mod 3816—S.O.O) (Pre-Mod 5081) Attaching parts for AC61584:—	1	—	DA1/35
R A33B14 Screw, 4BA	2	—	DA1/36
DUNLOP ACO21077 CIRCLIP (Mod 1927)	1	—	
AGS2030/31 CIRCLIP	1	—	DA1/22
EA3.81.351 CLAMP, ASSEMBLY Attaching parts for EA3.81.351:—	1	—	DA1/23
A32A16 Screw, round head, 6BA	2	—	DA1/24
A33B12 Screw, csk. head, 4BA	1	—	DA1/25
R EA4.45.619 COVER, switch intercom. (Pre-Mod 5401) Attaching parts for EA4.45.619:—	1	LFS21	DA1/26
R AS1242/1B Bolt, 4BA	1	—	DA1/26A
R AS1242/2B Bolt, 4BA	1	—	DA1/26B
R EA6.45.353 DISC, blanking	1	—	DA1/27
EA6.45.57 MOUNTING, tailplane trim and isolating switches (Mod 1927)	1	—	DA1/28
R EA6.45.59 PIN, locating (Mod 1927)	1	—	DA1/43
EA6.45.297 SOCKET, SWITCH, ASSEMBLY	1	—	DA1/29
R EB7.81.2029 STUD, special (Mod 3816) (Pre-Mod 5081)	1	—	
DUNLOP R ACM26960 SWITCH, push button (Mod 1927)	1	—	DA1/30
DUNLOP R AC14834 SWITCH, 2-way tailplane trim (Mod 1927)	1	—	DA1/31
R EA4.82.5375 SWITCH, press to transmit, assembly (Mod 5401)	1	—	DA1/45
R EG7.45.27 PIECE, distance	1	L54	DA1/39
R EG7.45.33 PLATE, cover Attaching parts for EG7.45.33:—	1	L59	DA1/40
R A33/A8 Screw, csk. head, 6BA	2	—	DA1/41
PAGE R B1640-H SWITCH	1	—	DA1/42
EA4.45.714 WHEEL, control (Mod 1927)	1	—	DA1/33
EA4.45.5066 WHEEL, control (Mod 3816—S.O.O) (Pre-Mod 5081)	1	—	
EA4.45.411	. . . COUPLING, control column to cross shaft Attaching parts for EA4.45.411:—	3	DTD683	DA2/8
EA1.45.1153	. . . Bolt, special	1	S11	DA2/9
EA4.45.639	. . . Bolt, 1/4" BSF	3	—	DA2/9A
A27ES	. . . Nut, slotted, 1/4" BSF	3	—	DA2/9B
A27JS	. . . Nut, slotted, 3/8" BSF	1	—	DA2/10
SP90C7	. . . Pin, split, 1/16" dia	4	—	DA2/11
SP15J	. . . Washer	1	—	DA2/12
SP15E	. . . Washer	3	—	DA2/12A

CONTROLS

FLYING CONTROLS IN COCKPIT

Part Number	Description	No. Off	Matl. Spec.	Plate No.	1 2 3 4 5 6					
EA4.45.409	. . . LAMINATION, spring	9	DTD187	DA2/13						
EA1.45.1029	. . . SPHERE, control column locating	2	DTD265	DA2/14						
EA4.45.325	. . . STOP, bowden brake cable Attaching parts for EA4.45.325:--	1	L65	DA3/3						
A25/9C	. . . Bolt, 2BA	1	--	DA3/4						
A25/3C	. . . Bolt, 2BA	2	--	DA3/5						
A27CS	. . . Nut, slotted 2BA	1	--	DA3/6						
SP90C4	. . . Pin, split, 1/16" dia	1	--	DA3/7						
SP15C	. . . Washer	3	--	DA3/8						
EA4.45.247	. . . SUPPORT, R.H. CONTROL COLUMN CASTING, ASSEMBLY (Pre-Mod 5028)	1	--	DA3/9						
EA4.45.5239	. . . SUPPORT, R.H. CONTROL COLUMN CASTING, ASSEMBLY (Mod 5028)	1	--							
EA4.45.5083	. . . SUPPORT, R.H. CONTROL COLUMN CASTING, ASSEMBLY (Mod 5068) (For Aircraft Not Embodying Mod 5028, but Embodying Mod 5098)	1	--							
EA4.45.5085	. . . SUPPORT, R.H. CONTROL COLUMN CASTING, ASSEMBLY (Mod 5068) (For Aircraft Embodying Mods 5028 and 5098) Spares for:--	1	--							
HOFFMANN T17	. . . BEARING, ballrace	2	--	DA3/10						
HOFFMANN T25	. . . BEARING, ballrace	2	--	DA3/11						
EA1.45.93	. . . CASTING, control column support (Pre-Mod 5028)	1	DTD289	DA3/12						
EA3.45.711	. . . CASTING, control support (Mod 5028)	1	L122							
EA4.45.383	. . . FORK-END	1	S95	DA3/13						
EA4.45.251	. . . PULLEY, AILERON OPERATING, ASSEMBLY Spares for:--	1	--	DA3/15						
AS1628/15 1/2 CABLE, ASSEMBLY Attaching parts for AS1628/15 1/2:--	1	--	DA3/15A						
AGS899/3 Collar, 7/32" dia	1	--	DA3/15B						
SP4Y/C9 Pin, 7/32" dia	1	--	DA3/15C						
SP90C4 Pin, split, 1/16" dia	1	--	DA3/15D						
AS1629/15 1/2 CABLE, ASSEMBLY Attaching parts for AS1629/15 1/2:--	1	--	DA3/15E						
AGS899/3 Collar, 7/32" dia	1	--	DA3/15F						
SP4Y/C9 Pin, 7/32" dia	1	--	DA3/15G						
SP90C4 Pin, split, 1/16" dia	1	--	DA3/15H						
EA4.45.255 PULLEY, cable	1	DTD683	DA3/16						
EA4.45.259 RING, cable retaining Attaching parts for EA4.45.259:--	1	L72	DA3/17						
AS1242/4C Bolt, csk. head, 2BA	4	--	DA3/17A						
A27CP Nut, 2BA	4	--	DA3/17B						
SP15C Washer	4	--	DA3/17C						
EA4.45.5091	. . . Bolt, special	1	--	DA3/14						
EA3.45.5103	. . . Bolt, special	1	--	DA3/18						
A27/CS	. . . Nut, 2BA, slotted	2	--	DA3/39						
SP90/C5	. . . Pin, split	2	--	DA3/40						
EA4.45.5093	. . . Washer, saddle	1	--	DA3/41						
EA3.45.5101	. . . Washer, saddle	1	--	DA3/42						
EA4.45.5109	. . . Washer, saddle	1	--	DA3/43						
EA4.45.5111	. . . Washer, saddle	1	--	DA3/44						
A25/6E	. . . Bolt, 1/4" BSF	4	--	DA3/19						
A27ES	. . . Nut, slotted, 1/4" BSF	4	--	DA3/20						
SP90C7	. . . Pin, split, 1/16" dia	4	--	DA3/21						
SP15E	. . . Washer	4	--	DA3/22						
EA4.45.249	. . . SUPPORT, LH CONTROL COLUMN CASTING ASSEMBLY (Pre-Mod 5028)	1	--	DA2/15						
EA4.45.5241	. . . SUPPORT, LH CONTROL COLUMN CASTING ASSEMBLY (Mod 5028)	1	--							

R
R
R
R
R
R
R
R

CONTROLS

FLYING CONTROLS IN COCKPIT

Part Number	Description	No. Off	Matl. Spec.	Plate No.
EA4.45.5079	SUPPORT, L.H. CONTROL COLUMN CASTING, ASSEMBLY (Mod 5068) (For Aircraft Not Embodying Mod 5028, but Embodying Mod 5098)	1	-	
EA4.45.5081	SUPPORT, L.H. CONTROL COLUMN CASTING, ASSEMBLY (Mod 5068) (For Aircraft Embodying Mods 5028 and 5098)	1	-	
HOFFMANN T17	BEARING, ballrace	2	-	DA2/16
HOFFMANN T25	BEARING, ballrace	2	-	DA2/17
EA1.45.93	CASTING, control column support (Pre-Mod 5028)	1	DTD289	DA2/18
EA3.45.711	CASTING, control column support (Mod 5028)	1	L122	
EA4.45.383	FORK-END	1	S95	DA2/19
EA4.45.625	LEVER, AILERON, OPERATING ASSEMBLY Consisting of:-	1	-	DA2/20
SKEFKO CBA2	BEARING, ballrace	1	-	DA2/21
EA1.45.483	COLLAR, distance between lever and eye-bolt	1	L64	DA2/22
AGS798E	EYE-BOLT	1	-	DA2/23
EEAS3D	HOUSING	1	L40	DA2/24
EA4.45.623	LEVER, operating	1	DTD683	DA2/25
A27EP	NUT, 1/4" BSF	1	-	DA2/26
EEAS4/20C	WASHER, packing	2	L72	DA2/27
AS1242/4C	Bolt, 2BA, csk. head	1	-	DA2/63
EA4.45.5113	Bolt, special	3	-	DA2/33
A27/CS	Nut, 2BA, slotted	4	-	DA2/34
SP90/C5	Pin, split	4	-	DA2/35
SP15/C	Washer, 2BA	4	-	DA2/36
R EA4.45.5087	PULLEY, AILERON, OPERATING, ASSEMBLY (Mod 5068) Spares for:-	1	-	DA2/29
R AS1628/15 ¹ / ₂	CABLE, assembly	1	-	DA2/79
R AS1629/15 ¹ / ₂	CABLE, assembly	1	-	DA2/78
	Attaching parts for cables:-			
R AGS899/3	Collar	2	-	DA2/80
R SP4YC9	Pin, shackle	2	-	DA2/81
R SP90C4	Pin, split	2	-	DA2/82
EA4.45.257	PULLEY, cable	1	DTD683	DA2/30
EA4.45.259	RING, cable retaining	1	L72	DA2/31
	Attaching parts for EA4.45.259:-			
R AS1242/4C	Bolt, 2BA	4	-	DA2/83
R A27CP	Nut, 2BA	4	-	DA2/84
R SP15C	Washer, 2BA	4	-	DA2/85
	Attaching parts for EA4.45.5087:-			
R EA3.45.5103	Bolt, special	1	-	DA2/28
R EA4.45.5091	Bolt, special	1	-	DA2/32
R A27/CS	Nut, 2BA, slotted	2	-	DA2/68
R SP90/C5	Pin, split	2	-	DA2/69
R EA3.45.5101	Washer, saddle	1	-	DA2/70
R EA4.45.5093	Washer, saddle	1	-	DA2/71
R EA4.45.5111	Washer, saddle	1	-	DA2/72
R EA4.45.5109	Washer, saddle	1	-	DA2/73
	Attaching parts for EA4.45.249, EA4.45.5241, EA4.45.5079 and EA4.45.5081:-			
R A25/6E	Bolt, 1/4" BSF	4	-	DA2/64
R A27ES	Nut, slotted 1/4" BSF	4	-	DA2/65
R SP90C7	Pin, split, 1/16" dia	4	-	DA2/66
R SP15E	Washer	4	-	DA2/67
EA4.45.401	TUBE, ELEVATOR TORQUE, ASSEMBLY (Pre-Mod 4499)	1	-	
EA4.45.5207	TUBE, ELEVATOR, TORQUE, ASSEMBLY (Mod 4499) Consisting of:-	1	-	DA2/37
EA4.45.407	COUPLING, flexible tube fitting	1	DTD683	DA2/38
R EA4.45.97	LEVER, OPERATING, ELEVATOR, ASSEMBLY	1	-	DA2/39

CONTROLS

FLYING CONTROLS IN COCKPIT

Part Number	Description	No. Off	Mati. Spec.	Plate No.
	Spares for:-			
SKEFKO				
CBA2 BEARING, ballrace	1	-	DA2/40
EEAS3D HOUSING, ballrace	1	L40	DA2/41
EA4.45.379 LEVER	1	L72	DA2/42
EEAS4/20C WASHER, packing	2	L72	DA2/43
	Attaching parts for EA4.45.97:-			
AS1242/5E	. . . Bolt, csk. head, 1/4" BSF	8	-	DA2/44
A27ES	. . . Nut, slotted, 1/4" BSF	8	-	DA2/45
SP90C5	. . . Pin, split, 1/16" dia	8	-	DA2/46
SP15/E	. . . Washer, 1/4" BSF	8	-	DA2/77
or				
SP124/E				
EA1.45.5205	. . . RING, packing assembly	1	-	DA2/47
EA4.45.405	. . . SLEEVE	1	-	DA2/48
EA4.45.605	. . . TUBE, torque	1	-	DA2/49
	Attaching parts for EA4.45.606:-			
A59/25G	. . . Bolt, 5/16" BSF	6	-	DA2/50
A27/GS	. . . Nut, slotted, 5/16" BSF	6	-	DA2/51
SP90C7	. . . Pin, split, 1/16" dia	6	-	DA2/52
EA4.45.5195	. . . Washer, saddle	12	-	DA2/53
SP16G	. . . Washer	6	-	DA2/54
	Attaching parts for EA4.45.401 and EA4.45.5207:-			
EA4.45.639	. . Bolt, special	6	S95	DA2/55
A27ES	. . Nut, slotted, 1/4" BSF	6	-	DA2/56
SP90C7	. . Pin, split, 1/16" dia	6	-	DA2/57
SP15E	. . Washer	6	-	DA2/58
SP16E	. . Washer	6	-	DA2/59
EA4.45.415	. . TUBE, INTERCONNECTING, CONTROL COLUMN, ASSEMBLY (PRE-MOD 4499)	1	-	
EA4.45.5191	. . TUBE, INTERCONNECTING, CONTROL COLUMN, ASSEMBLY (MOD 4499)	1	-	DA3/23
	Consisting of:-			
EA4.45.407	. . . COUPLING, flexible tube fitting	2	DTD683	DA3/24
EA4.45.413	. . . TUBE, torque	1	T45	DA3/25
	Attaching parts for EA4.45.413:-			
A59/26G	. . . Bolt, 5/16" BSF	6	-	DA3/26
A27GS	. . . Nut, slotted, 5/16" BSF	6	-	DA3/27
SP90C7	. . . Pin, split, 1/16" dia	6	-	DA3/28
EA4.45.5195	. . . Washer, saddle	12	-	DA3/29
SP16G	. . . Washer	6	-	DA3/30
	Attaching parts for EA4.45.415 and EA4.45.5191:-			
EA4.45.639	. . Bolt, special	12	S95	DA3/31
A27ES	. . Nut, slotted, 1/4" BSF	12	-	DA3/32
SP90C7	. . Pin, split, 1/16" dia	12	-	DA3/33
SP15E	. . Washer	12	-	DA3/34
SP16E	. . Washer	12	-	DA3/35
EA4.45.481	. COVER, sealing instructor's control column	1	-	DA3/36
	Attaching parts for EA4.45.481:-			
SP58/D	. Burr, rivet	4	-	DA3/40
A40/C12	. Screw, 2BA, round head	4	-	DA3/39
SP47/C	. Washer, spring, 2BA	4	-	DA3/41
EA4.45.533	. COVER, sealing pupil's control column	1	-	DA2/60
	Attaching parts for EA4.45.533:-			
SP58/D	. Burr, rivet	4	-	DA2/74
A40/C12	. Screw, 2BA, round head	4	-	DA2/75
SP47/C	. Washer, spring, 2BA	4	-	DA2/76

CONTROLS

FLYING CONTROLS IN COCKPIT

Part Number	Description	No. Off	Matl. Spec.	Plate No.
EA3.45.477	. COVER, PRESSURE BOX, ASSEMBLY (MOD 1407) Spares for:—	1	—	DA12/1
EA3.45.479	. . COVER, access	1	—	DA12/2
EA3.45.475	. . PANEL	1	—	DA12/3
EA4.45.459	. GUARD, end, base of control column	1	L72	DA11/1
EA4.45.5027	. GUARD, centre, base of control column	1	L72	DA11/2
EA4.45.5157	. GUARD, SNATCH UNIT, INSTALLATION (MOD 3933) Spares for:—	—	—	DA11/3
EA4.45.5173	. . CLAMP, half	1	S510	DA11/4
EA4.45.5175	. . CLAMP, half Attaching parts for EA4.45.5173 and EA4.45.5175:—	1	S510	DA11/5
A25/2C	. . Bolt, 2BA	2	—	DA11/6
AGS2001C1/66	. . Nut, stiff, 2BA	2	—	DA11/7
SP15C	. . Washer	2	—	DA11/8
AGS899/6	. . Collar	1	—	DA11/8A
EA4.45.5159	. . PANEL, GUARD, ASSEMBLY Spares for:—	1	—	DA11/9
DZUS A4/30	. . . FASTENER	6	—	DA11/10
DZUS GH4	. . . GROMMET	6	—	DA11/11
SP90E4	. . PIN, split, $\frac{3}{32}$ " dia	1	—	DA11/11A
EA4.45.5003	. MOUNTING, ELEVATOR CONTROL LEVERS AT FRAME 5, ASSEMBLY (MOD 2350) (PRE-MOD 4499)	1	—	DA11/12
EA4.45.5229	. MOUNTING, ELEVATOR CONTROL LEVERS AT FRAME 5, ASSEMBLY (MOD 4499) Spares for:—	1	—	
EA4.45.5006	. . BRACKET, mounting, layshaft	1	L72	DA11/13
EA4.45.269	. . LEVER, CONTROL ASSEMBLY (PRE-MOD 4499)	1	—	
EA4.45.5193	. . LEVER, CONTROL, ASSEMBLY (MOD 4499) Spares for:—	1	—	DA11/14
EA4.45.385	. . . BEARING AND HOUSING, ASSEMBLY Consisting of:—	2	—	DA11/15
HOFFMANN T17 BEARING, ballrace	1	—	DA11/16
EA4.45.537 HOUSING, ballrace bearing	1	DTD683	DA11/17
EA4.45.539 PLATE, bearing retaining	1	L72	DA11/18
AGS2031.22 CIRCLIP	1	—	DA11/18A
EA4.45.729 LEVER, ASSEMBLY (PRE-MOD 4499)	1	—	
or				
EA4.45.271 LEVER, ASSEMBLY (PRE-MOD 4499)	1	—	
EA4.45.5225 LEVER, ASSEMBLY (MOD 4499) Spares for:—	1	—	DA11/19
EA4.45.519 BLOCK, distance	1	DTD683	DA11/20
EA4.45.517 LEVER, snatch unit (Pre-Mod 4499)	1	DTD683	
EA4.45.5219 LEVER, snatch unit (Mod 4499)	1	DTD683	DA11/21
EA4.45.275 LEVER, LONG, ASSEMBLY (PRE-MOD 4499)	1	—	
EA4.45.5215 LEVER, LONG, ASSEMBLY (MOD 4499) Spares for:—	1	—	DA11/22
EA4.45.739 LEVER, ASSEMBLY	1	—	DA11/22A
SKEFKO				
CBA2 BEARING, ballrace	1	—	DA11/23
EEAS 3 D HOUSING, ballrace bearing	1	L40	DA11/24
EA4.45.733 LEVER	1	L73	DA11/25
EEAS4/20C WASHER, packing Attaching parts for EA4.45.739:—	2	L72	DA11/26
A25/5C Bolt, 2BA	5	—	DA11/26A
A27CP Nut, 2BA	5	—	DA11/26B
SP15C Washer	5	—	DA11/26C

CONTROLS
FLYING CONTROLS IN COCKPIT

Ref. No.	Part No.	Description	No. off	Mtrl. Spec.	Cl. of Equip M.R. L.M.	Plate No.
	EA4.45.5221	LEVER (Mod 4499)	1	—	—	DA11/26D
		Attaching parts for EA4.45.5215:—				
28D/1013178	AS1242/5E	Bolt, csk. head 1/4" BSF	6	—	C	DA11/27
28M/1011467	A27ES	Nut, 1/4" BSF	6	—	C	DA11/28
28P/9486478	SP90C5	Pin, split, 1/16" dia	6	—	C	DA11/29
28W/9419405	SP15E	Washer	6	—	C	DA11/30
3474	EA4.45.279	LEVER, SHORT, ASSEMBLY (PRE—MOD 4499)	1	—	B	
44510	EA4.45.5217	LEVER, SHORT, ASSEMBLY (MOD 4499) Consisting of:—	1	—	B	DA11/31
	SKEFKO					
	CBA2	BEARING, ballrace 1	1	—	B	DA11/32
2A/9500463	EEAS 3 D	HOUSING, ballrace bearing	1	L40	C	DA11/33
75	EA4.45.281	LEVER (Pre—Mod 4499)	1	L73	—	
	EA4.45.5223	LEVER (Mod 4499)	1	L73	—	DA11/34
92	EEAS4/20C	WASHER, special packing	2	L72	C	DA11/35
1439256	EA4.45.5209	RING, PACKING, ASSEMBLY	1	—	C	DA11/35A
		Spares for:—				
	EA4.45.5211	RING, half	2	—	C	DA11/35B
		Attaching parts for EA4.45.519:—				
		EA4.45.5217, EA4.45.5219 and EA4.45.5209:—				
28D/1013178	AS1242/10E	Bolt, csk. head, 1/4" BSF	6	—	C	DA11/35C
28M/1011467	A27ES	Nut, 1/4" BSF	6	—	C	DA11/35D
28P/9486478	SP90C5	Pin, split, 1/16" dia	6	—	C	DA11/35E
	EA4.45.5197	RING, PACKING, ASSEMBLY	1	—	C	DA11/35F
		Spares for:—				
	EA4.45.5199	RING, half	2	—	C	DA11/35G
	EA4.45.521	SLEEVE, control levers	1	DTD683	—	DA11/36
13099	EA4.45.507	STUD, special	1	S95	C	DA11/37
		Attaching parts for EA4.45.507:—				
		Nut, 1/4" BSF	1	—	C	DA11/37A
28M/1011467	A27ES	Nut, 1/4" BSF	1	—	C	DA11/37B
28P/9486478	SP90C5	Pin, split, 1/16" dia	1	—	C	DA11/37C
28W/9419405	SP15E	Washer	1	—	C	DA11/37C
1088	EEAS.37.2B	NIPPLE	4	DTD683	C	DA11/38
6051183	EA4.45.387	RING, distance	1	DTD683	—	DA11/39
	EA4.45.427	SHAFT, control mounting	1	DTD683	—	DA11/40
1571	EEAS38/2A	SPOKE	2	S11	C	DA11/41
		Attaching parts for EA4.45.5193:—				
28D/9436920	A25/1C	Bolt, 2BA	3	—	C	DA11/41A
28D/9133012	A25/3C	Bolt, 2BA	1	—	C	DA11/41B
28D/1200119	A25/4C	Bolt, 2BA	2	—	C	DA11/41C
28M/9403520	A27CP	Nut, 2BA	3	—	C	DA11/41D
28M/9403520	A27CS	Nut, 2BA	3	—	C	DA11/41E
28P/9486478	SP90C5	Pin, split, 1/16" dia	3	—	C	DA11/41F
28W/9419475	SP15C	Washer	6	—	C	DA11/41G

CONTROLS
FLYING CONTROLS IN COCKPIT

Ref. No.	Part No.	Description	No. off	Matl. Spec.	Cl. of Equip M.R. L.M.	Plate No.
	EA3.45.21	MOUNTING, AILERON, ELEVATOR AND RUDDER CONTROL LEVERS AT PRESSURE BULKHEAD, ASSEMBLY Spares for:—	1	—	—	DA12/4
8195	EA3.45.121	. . . BAR, stop top	1	DTD300	C	DA12/5
8196	EA3.45.123	. . . BAR, stop bottom Attaching parts for EA3.45.121 and EA3.45.123:—	1	DTD300	C	DA12/6
28D/9140844	A25/9C	. . . Bolt, 2BA	4	—	C	DA12/7
28M/1012015	AGS2001C1/66	. . . Nut, stiff 2BA	4	—	C	DA12/8
28W/9419404	SP16C	. . . Washer	4	—	C	DA12/9
1535	EA3.45.27	. . . BOLT, stop control levers	5	—	C	DA12/10
1534	EA1.45.1207	. . . BOLT, stop elevator at pressure bulkhead	1	S11	C	DA12/11
8197	EA3.45.125	. . . BRACKET, stop bar	6	—	C	DA12/12
8198	EA3.45.255	. . . BRACKET, stop bar Attaching parts for EA3.45.125 and EA3.45.255:—	2	—	C	DA12/13
28D/9133011	A25/2C	. . . Bolt, 2BA	2	—	C	DA12/14
28D/1214091	AS1242/2C	. . . Bolt, csk. head 2BA	2	—	C	DA12/15
28M/1012015	AGS2001C1/66	. . . Nut, stiff, 2BA	2	—	C	DA12/16
28W/9419404	SP16C	. . . Washer	2	—	C	DA12/17
3878	EA3.45.23	. . . CASING, lever control	1	—	C	DA12/18
1439156	EA3.45.537	. . . LEVER, CONTROL, ASSEMBLY (MOD 4489) Spares for:—	1	—	B	DA12/19
111	EA1.45.367	. . . DOWEL	2	S1	C	DA12/27
33007	EA1.45.361	. . . END-PIECE, control lever mounting Attaching parts for EA1.45.361:—	2	L40	C	DA12/20
28D/9133011	A25/2C	. . . Bolt, 2BA	2	—	C	DA12/21
28D/1007976	AS1242/4C	. . . Bolt, csk. head, 2BA	3	—	C	DA12/21A
28M/1012015	AGS2001C1/66	. . . Nut, stiff, 2BA	5	—	C	DA12/22
28W/9457834	SP124D	. . . Washer	2	—	C	DA12/23
28W/5806394	SP125D	. . . Washer	3	—	C	DA12/23A
24754	EA1.45.349	. . . HOUSING	1	DTD289	C	DA12/24
112	EA1.45.345	. . . LEVER, c/w ballrace Attaching parts for EA1.45.345:—	6	—	C	DA12/25
28D/1215686	A59/7E	. . . Bolt	2	S96	C	DA12/26
28M/9480017	AGS2001E1/66	. . . Nut, stiff, 1/4" BSF	2	—	C	DA12/28
28W/9471273	SP124E	. . . Washer	2	—	C	DA12/29
1439241	EA3.45.535	. . . PIECE, packing	2	—		DA12/29A
1948	EA1.45.351	. . . RING, sealing, outboard	1	L45	C	DA12/30
1949	EA1.45.353	. . . RING, sealing centre	1	L45	C	DA12/31
1950	EA1.45.355	. . . RING, sealing inner Attaching parts for EA3.45.537:—	1	L45	C	DA12/32
28D/1200119	A25/4C	. . . Bolt, 2BA	12	—	C	DA12/23
28D/9133012	A25/3C	. . . Bolt, 2BA	4	—	C	DA12/34
28M/1012015	AGS2001C1/66	. . . Nut, stiff, 2BA	16	—	C	DA12/35
28M/1007404	A27JT	. . . NUT, thin 1/8" BSF, locking stop bolt	6	—	C	DA12/36
113	EA3.45.25	. . . SEAL, rubber, between control lever casing and pressure bulkhead.	1	—	C	DA12/37

CONTROLS
FLYING CONTROLS IN COCKPIT

Part Number	Description	No. Off						Matl. Spec.	Plate No.	
		1	2	3	4	5	6			
EA4.45.523	. MOUNTING, SNATCH UNIT INSTALLATION							-	-	DA10/1
R EA4.45.513	Spares for:-									
EA4.45.501	. . . ANGLE							1	-	DA10/2
	. . . BAND, support							1	L72	DA10/3
	Attaching parts for EA4.45.501:-									
A25/2C	. . . Bolt, 2BA							1	-	DA10/4
A25/4C	. . . Bolt, 2BA							1	-	DA10/5
A27CP	. . . Nut, 2BA							2	-	DA10/6
SP15C	. . . Washer							2	-	DA10/7
SP16C	. . . Washer							1	-	DA10/8
EA4.45.511	. . . Washer							1	-	DA10/9
R EA4.45.505	. . . LINK							1	-	DA10/10
	Attaching parts for EA4.45.505:-									
A25/10E	. . . Bolt, 1/4" BSF							1	-	DA10/11
A27ES	. . . Nut, slotted, 1/4" BSF							1	-	DA10/12
A27GS	. . . Nut, slotted, 5/16" BSF							1	-	DA10/13
SP90C7	. . . Pin, split, 1/16" dia							2	-	DA10/14
SP15E	. . . Washer							1	-	DA10/15
SP15G	. . . Washer							1	-	DA10/16
EA4.45.617	. . . Washer, profile							1	-	DA10/17
R EA4.45.495	. . . PLATE							1	-	DA10/18
	Attaching parts for EA4.45.495:-									
A25/4C	. . . Bolt, 2BA							1	-	DA10/19
A27CP	. . . Nut, 2BA							1	-	DA10/20
SP15C	. . . Washer							1	-	DA10/21
EA4.45.499	. . . Washer, profile							1	-	DA10/22
R EA4.45.503	. . . STAY, tie							1	-	DA10/23
	Attaching parts for EA4.45.503:-									
A25/2C	. . . Bolt, 2BA							2	-	DA10/24
AGS2001C1/66	. . . Nut, stiff, 2BA							2	-	DA10/25
SP15C	. . . Washer							2	-	DA10/26
MARTIN BAKER MBEU1323EE	. . . UNIT, SNATCH, INSTALLATION							1	-	DA10/27

CONTROLS
FLYING CONTROLS IN COCKPIT

Part Number	Description	No. Off	Matl. Spec.	Plate No.
R EA4.45.5115	. PEDALS, RUDDER, CONTROL BAR AND BRAKE OPERATING CONTROL, ASSEMBLY (Mod 5068) (For Aircraft Embodying Mod 5098) Spares for:—	1	—	DA5/1
EA3.45.5085	. . BEARING, c/w housing (Mod 5068) Attaching parts for EA3.45.5085:—	2	—	DA4/3
AS1242/3C	. . Bolt, 2BA	8	—	DA4/24
A27CS	. . Nut, 2BA	8	—	DA4/25
SP90C5	. . Pin, split	8	—	DA4/26
EA3.45.5089	. . Ring, clamping	1	L65	DA4/27
EA4.45.5103	. . Ring, packing (if required)	2	L72	DA4/28
SP13C	. . Washer	8	—	DA4/29
EEAS13/1	. . BOLT, special, inter-connection tube	2	S11	DA5/2
EA4.45.637	. . BOLT, special, brake control unit fixing	4	S96	DA4/4
EEAS14	. . BUSH, special inter-connecting tube	2	S11	DA5/3
EA3.45.189	. . CAM, plate guide Attaching parts for EA3.45.189:—	1	DTD683	DA4/5
A25/4C	. . Bolt, 2BA	2	—	DA4/5A
AS1242/4C	. . Bolt, csk. head, 2BA	1	—	DA4/5B
SP47C	. . Washer	2	—	DA4/5C
EA3.45.191	. . LEVER, brake valve operating Attaching parts for EA3.45.191:—	1	S11	DA4/6
A25/6G	. . Bolt, 2BA	1	—	DA4/6A
A27CS	. . But, slotted, 2BA	1	—	DA4/6B
SP90C7	. . Pin, split, 1/16" dia	1	—	DA4/6C

AP101B-0404-3A

CONTROLS
FLYING CONTROLS IN COCKPIT

Part Number	1 2 3 4 5 6	Description	No. Off	Matl. Spec.	Plate No.
EA4.45.5097		LEVER, RUDDER BAR, L.H. ASSEMBLY (Mod 5068) Consisting of:—	1	—	DA5/4
SKEFKO					
CBA2		BEARING, ballrace	2	—	DA5/5
EEAS3D		HOUSING, ballrace	2	L40	DA5/6
EA4.45.5105		LEVER (Mod 5068)	1	—	DA5/7
EEAS4/20C		WASHER, packing	4	L72	DA5/8
		Attaching parts for EA4.45.361 and EA4.45.5097:—			
A25/5C		Bolt, 2BA	6	—	DA5/8A
A27CT		Nut, 2BA	6	—	DA5/8B
SP15C		Washer	6	—	DA5/8C
EA4.45.5099		LEVER, RUDDER BAR, R.H. ASSEMBLY (Mod 5068) Consisting of:—	1	—	DA4/7
SKEFKO					
CBA2		BEARING, ballrace	1	—	DA4/8
EEAS3D		HOUSING, ballrace	1	L40	DA4/9
EA4.45.5107		LEVER (Mod 5068)	1	—	DA4/10
EEAS4/20C		WASHER, packing	2	L72	DA4/11
		Attaching parts for EA4.45.365 and EA4.45.5099:—			
A25/5C		Bolt, 2BA	6	—	DA4/11A
A27CT		Nut, 2BA	6	—	DA4/11B
SP15C		Washer	2	—	DA4/11C
EA3.45.193		LINK, tie between valve operating lever and rudder control lever	1	—	DA4/12
		Attaching parts for EA3.45.193:—			
R AGS899-2		Gollar	2	—	DA4/12A
EA3.45.195		Pin	1	S11	DA4/14
SP90C7		Pin, split, 1/16" dia	2	—	DA4/14A

CONTROLS
FLYING CONTROLS IN COCKPIT

Part Number	Description	No. Off	Mater. Spec.	Plate No.
EEAS63/E	NUT, special inter-connection tube	2	S96	DA6/9
EA4.45.5061	PEDALS, INSTRUCTOR AND PUPIL'S RUDDER CONTROL, ASSEMBLY	2	-	DA6/1
	Spares for:-			
EA4.45.5059	ARM, RUDDER, BAR ASSEMBLY	2	-	DA6/2
	Spares for:-			
AS2187	EYE-BOLT	1	-	DA6/3
	Attaching parts for AS2187:-			
A24JS	Nut, slotted, 3/8" BSF	1	-	DA6/4
SP90C7	Pin, split, 1/16" dia	1	-	DA6/5
	Attaching parts for EA4.45.5059:-			
AS2180	Bush, upper	1	-	DA6/6
AS2226	Bush, lower	1	-	DA6/7
AS2224	Cap-nut	1	-	DA6/8
SP90E12	Pin, split, 3/32" dia	1	-	DA6/9
AS2181	Shim	1	-	DA6/10
HOFFMANN				
T21	BEARING, ballrace	1	-	DA6/11
AS2175	CAP, worm adjusting	2	-	DA6/12
AS2178	COLLAR, worm adjusting	1	-	DA6/13
	Attaching parts for AS2178:-			
SP29H10	Pin, taper	1	-	DA6/14
SP21	GREASER	2	-	DA6/14A
AS2195	LINK, adjusting	4	-	DA6/15
	Attaching parts for AS2195:-			
AS2196	Bolt, special	2	-	DA6/16
AS2197	Nut, special	2	-	DA6/17
SP90C5	Pin, split, 1/16" dia	2	-	DA6/18
AS2206	LINK-BAR, ASSEMBLY	2	-	DA6/19
	Attaching parts for AS.2206:-			
AS2202	Bolt, pivot	1	-	DA6/20
AS2203	Bolt, pivot	2	-	DA6/21
A24CS	Nut, slotted, 2BA	3	-	DA6/22
A24EP	Nut, 1/4" BSF	3	-	DA6/23
SP90C5	Pin, cotter, split	3	-	DA6/24
SP14C	Washer	3	-	DA6/25
SP15E	Washer	3	-	DA6/26
EA4.45.5063	PEDAL, ASSEMBLY, L.H.	1	-	DA6/27
	Consisting of:-			
EA4.45.5039	PEDAL	1	-	DA6/28
AS2219	PLATE, foot	1	-	DA6/29
AS4568	STIRRUP (Pre Alt R60/49-Pre-Mod 5098)	1	-	DA6/30
AS46744	STIRRUP (Alt R60/49-Mod 5098)	1	-	
	Attaching parts for AS2219, AS4568 and AS46744:-			
AS4565/2C	Bolt, round head, 2BA	4	-	DA6/31
A29CP	Nut, 2BA	4	-	DA6/32

CONTROLS
FLYING CONTROLS IN COCKPIT

Part Number	1 2 3 4 5 6	Description	No. Off	Matl. Spec.	Plate No.
EA4.45.5064	. . .	PEDAL ASSEMBLY, R.H. Consisting of:—	1	—	DA6/33
EA4.45.5040	PEDAL	1	—	DA6/34
AS2219	PLATE, foot	1	—	DA6/35
AS4568	STIRRUP (Pre Alt R60/49—Pre Mod 5098)	1	—	DA6/36
AS46744	STIRRUP (Alt R60/49—Mod 5098)	1	—	DA6/36
AS4565/2C	Attaching parts for AS2219, AS4568 and AS46744:—			
A29CP	Bolt, round head, 2BA	4	—	DA6/37
	Nut, 2BA	4	—	DA6/38
	Attaching parts for EA4.45.5063 and EA4.45.5064:—			
AS2209	Bolt, pivot	1	—	DA6/39
A24JS	Nut, slotted, 3/8" BSF	1	—	DA6/40
AS2210	Piece, distance	2	—	DA6/41
SP90C7	Pin, split, 1/16" dia	1	—	DA6/42
AS2191	PEDESTAL	1	—	DA5/10
AS2189	PLATE, support	1	—	DA6/43
	Attaching parts for AS2189:—			
A25/1C	Bolt, 2BA	4	—	DA6/44
AS2242	Washer, tab	1	—	DA6/45
AS2179	PLATE, wheel adjustment	1	—	DA6/46
AS2412	SLEEVE, screwed	1	—	DA6/47
AS2411	WORM, adjusting (supplied with sleeve)	1	—	DA6/48
	Attaching parts for AS2412 and AS2411:—			
AS3399	Bolt, taper	2	—	DA6/49
A24ES	Nut, slotted, 1/4" BSF	2	—	DA6/50
SP90C7	Pin, split, 1/16" dia	2	—	DA6/51
AS3398	Washer	2	—	DA6/52
AS2188	SPINDLE, centre	1	—	DA5/11
AS2177	WHEEL, adjusting	1	—	DA6/53
	Attaching parts for EA4.45.5061:—			
A25/4E	Bolt, 1/4" BSF	8	—	DA5/12
SP15E	Washer	8	—	DA5/13
EEAS127	PIECE, distance, inter-connecting tube	2	S89	DA5/14
EA4.45.367	PIN, special between tie link and rudder control lever	1	S11	DA4/15
	Attaching parts for EA4.45.367:—			
A27ET	Nut, 1/4" BSF	1	—	DA4/15A
SP15E	Washer	1	—	DA4/15B

CONTROLS
FLYING CONTROLS IN COCKPIT

Part Number	Description	No. Off	Mati. Spec.	Plate No.
EA4.45.5101	. . SPOOL (Mod 5068) Attaching parts for EA4.45.5101:-	2	S92	DA4/18
EEAS95/15G	. . Bolt, 5/16" BSF	2	-	DA4/13
A27GS	. . Nut, 5/16" BSF	2	-	DA4/16
SP90C7	. . Pin, split	2	-	DA4/17
AS1903G11	. . Washer	4	-	DA4/30
SP13G	. . Washer	2	-	DA4/31
EA4.45.681	. . TUBE, inter-connecting between rudder bars (Pre-Mod 5473)	1	-	DA5/15
EA4.45.753	. . TUBE, connecting (Mod 5473)	1	-	
EA4.45.480	. RING, half, attachment of sealing cover to instructor's control column	1	L72	DA2/61
EA4.45.578	. RING, half, attachment of sealing cover to instructor's control column	1	L72	DA3/37
EA4.45.479	. RING, half, attachment of sealing cover to pupil's control column	1	L72	DA2/62
EA4.45.577	. RING, half, attachment of sealing cover to pupil's control column	1	L72	DA3/38
EA1.45.477	. SPRING, aileron bias assembly	1	-	DA1/34
EA4.45.663	. TUBE CONTROL, BETWEEN PILOT'S RUDDER BAR AND RUDDER LEVER AT REAR OF PRESSURE BULKHEAD, ASSEMBLY (Pre-Mod 4930)	1	-	DA7/2
EA4.45.5237	. TUBE CONTROL, BETWEEN PILOT'S RUDDER BAR AND RUDDER LEVER AT REAR OF PRESSURE BULKHEAD, ASSEMBLY (Mod 4930) (Pre-Mod 5473)	1	-	
EA4.45.751	. TUBE, CONTROL, ASSEMBLY (Mod 5473) Spares for:-	1	-	
EEAS47/2	. . FORK-END, adjusting	1	DTD683	DA7/3
EA3.45.339	. TUBE, CONTROL, BETWEEN CONTROL COLUMN AND AILERON CONTROL LEVER AT REAR OF PRESSURE BULKHEAD, ASSEMBLY (Pre-Mod 4930)	1	-	DA7/4
EA3.45.661	. TUBE, CONTROL, BETWEEN CONTROL COLUMN AND AILERON CONTROL LEVER AT REAR OF PRESSURE BULKHEAD, ASSEMBLY (Mod 4930) (Pre-Mod 5473)	1	-	
EA3.45.733	. TUBE, CONTROL, ASSEMBLY (Mod 5473) Spares for:-	1	-	
EA3.45.329	. . TUBE, control forward portion (Pre-Mod 4930)	1	-	DA7/5
EA3.45.657	. . TUBE, control forward portion (Mod 4930) (Pre-Mod 5473)	1	-	
EA3.45.823	. . TUBE, control, forward (Mod 5473)	1	-	
EA3.45.335	. . TUBE, CONTROL, AFT, ASSEMBLY (Pre-Mod 4930)	1	-	DA7/6
EA3.45.659	. . TUBE, CONTROL, AFT, ASSEMBLY (Mod 4930) (Pre-Mod 5473)	1	-	
EA3.45.825	. . TUBE, control, aft (Mod 5473) Spares for:-	1	-	
EEAS47/2	. . FORK-END, adjusting Attaching parts for EA3.45.329, EA3.45.335, EA3.45.659, EA3.45.657, EA3.45.823 and EA3.45.825:-	1	DTD683	DA7/7
A25/22C	. . Bolt, 2BA	2	-	DA7/8
AS484JA	. . Bush, taper, sheer	4	-	DA7/9
A27CS	. . Nut, slotted, 2BA	2	-	DA7/10
SP90C7	. . Pin, split, 1/16" dia	2	-	DA7/11

CONTROLS

FLYING CONTROLS IN COCKPIT

Part Number	Description	No. Off	Mtl. Spec.	Plate No.
EA4.45.657	. TUBE, CONTROL, BETWEEN CONTROL COLUMN AND ELEVATOR LEVER AT FRAME 5, ASSEMBLY (PRE-MOD 4930)	1	-	DA7/12
EA4.45.5235	. TUBE, CONTROL, BETWEEN CONTROL COLUMN AND ELEVATOR LEVER AT FRAME 5, ASSEMBLY (MOD 4930) (PRE-MOD 5473)	1	-	
R EA4.45.749	. TUBE, CONTROL, ASSEMBLY (MOD 5473) Spares for:-	1	-	
R EEAS47/2	. . FORK-END, adjusting	1	DTD683	DA7/13
R EEAS131/2	. . FORK-END, (PRE-MOD 5473)	1	DTD683	DA7/14
R EA3.45.765	. . FORK-END (MOD 5473)	1	-	
EA4.45.655	. TUBE, CONTROL, BETWEEN ELEVATOR LEVER AT FRAME 5 AND CONTROL LEVER AT REAR PRESSURE BULKHEAD, ASSEMBLY (PRE-MOD 4930)	1	-	DA7/15
EA4.45.5233	. TUBE, CONTROL, BETWEEN ELEVATOR LEVER AT FRAME 5 AND CONTROL LEVER AT REAR PRESSURE BULKHEAD, ASSEMBLY (MOD 4930) (PRE-MOD 5473)	1	-	
R EA4.45.747	. TUBE, CONTROL, ASSEMBLY (MOD 5473) Spares for:-	1	-	
R EEAS47/2	. . FORK-END, adjusting	1	DTD683	DA7/16
R EA4.45.653	. . FORK-END, special (PRE-MOD 5473)	1	DTD683	DA7/17
R EA4.45.769	. . FORK-END, (MOD 5473)	1	-	
EA3.45.351	. TUBE, CONTROL AILERON AND RUDDER AT REAR PRESSURE BULKHEAD, ASSEMBLY (PRE-MOD 4930)	3	-	DA7/18
EA3.45.669	. TUBE, CONTROL AILERON AND RUDDER AT REAR PRESSURE BULKHEAD, ASSEMBLY (MOD 4930) (PRE-MOD 5473)	3	-	
R EA3.45.739	. TUBE, CONTROL, ASSEMBLY (MOD 5473) Spares for:-	3	-	
EEAS47/2	. . FORK-END, adjusting Attaching parts for control tubes:-	1	DTD683	DA7/19
EEAS13/1	. Bolt	2	S96	DA7 20
EEAS14	. Bush	2	S96	DA7/21
EEAS63E	. Nut	2	S96	DA7/22
EEAS127	. Piece, distance	2	S96	DA7/23
SP90C7	. Pin, split, 1/16" dia	2	-	DA7/24

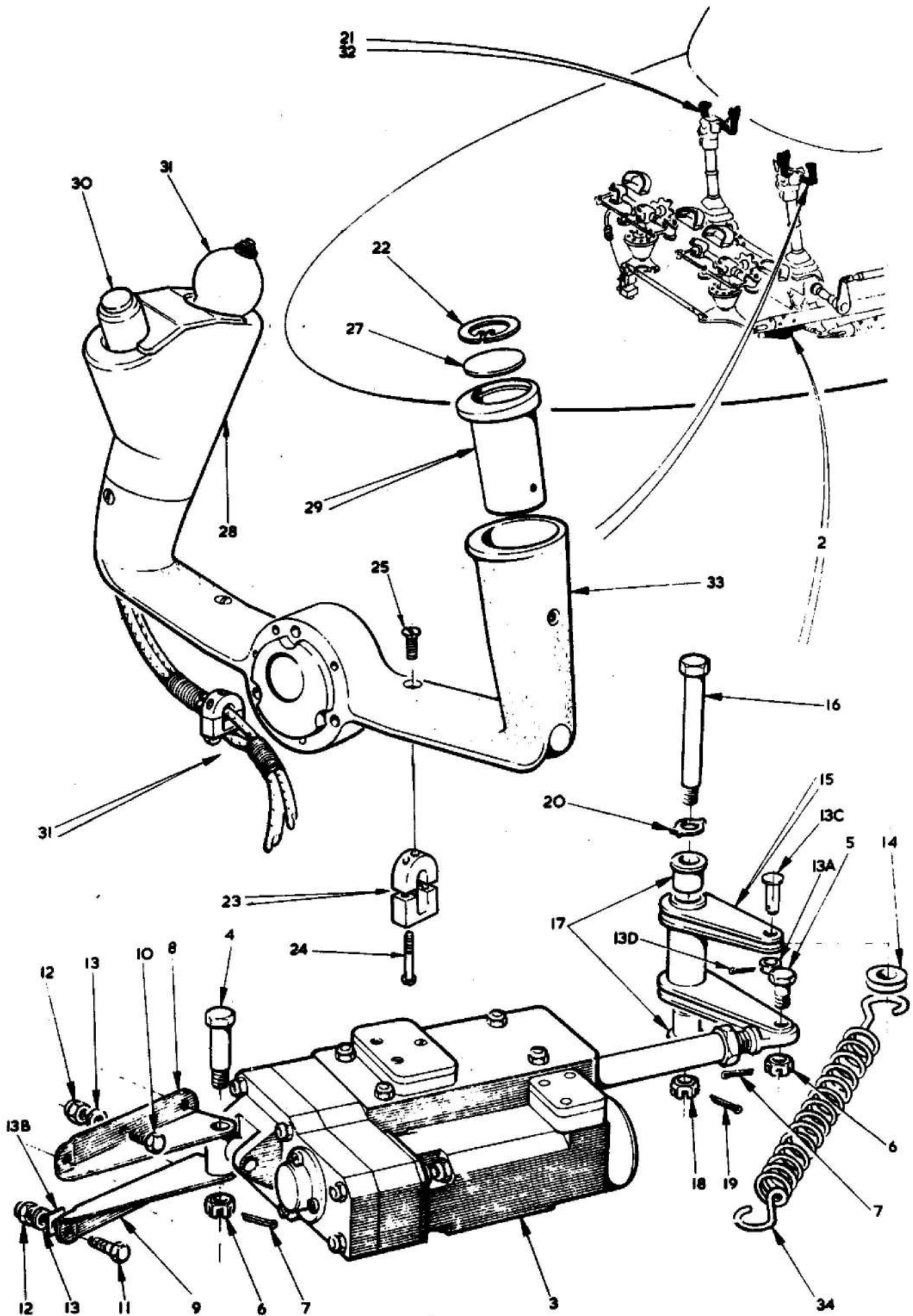


FIG.1 FLYING CONTROLS IN COCKPIT

CODE 5

SECT DA

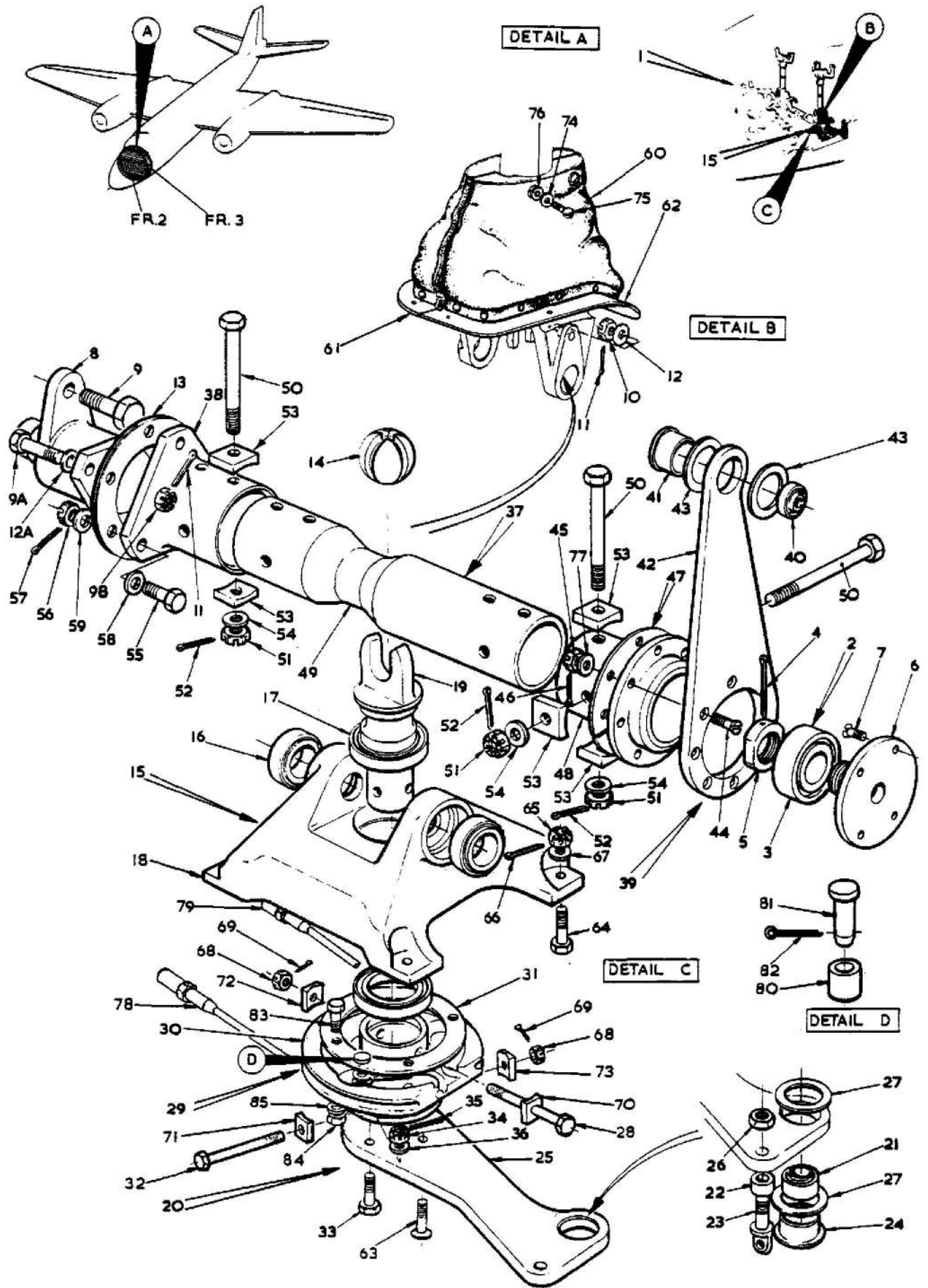


FIG. 2 FLYING CONTROLS IN COCKPIT

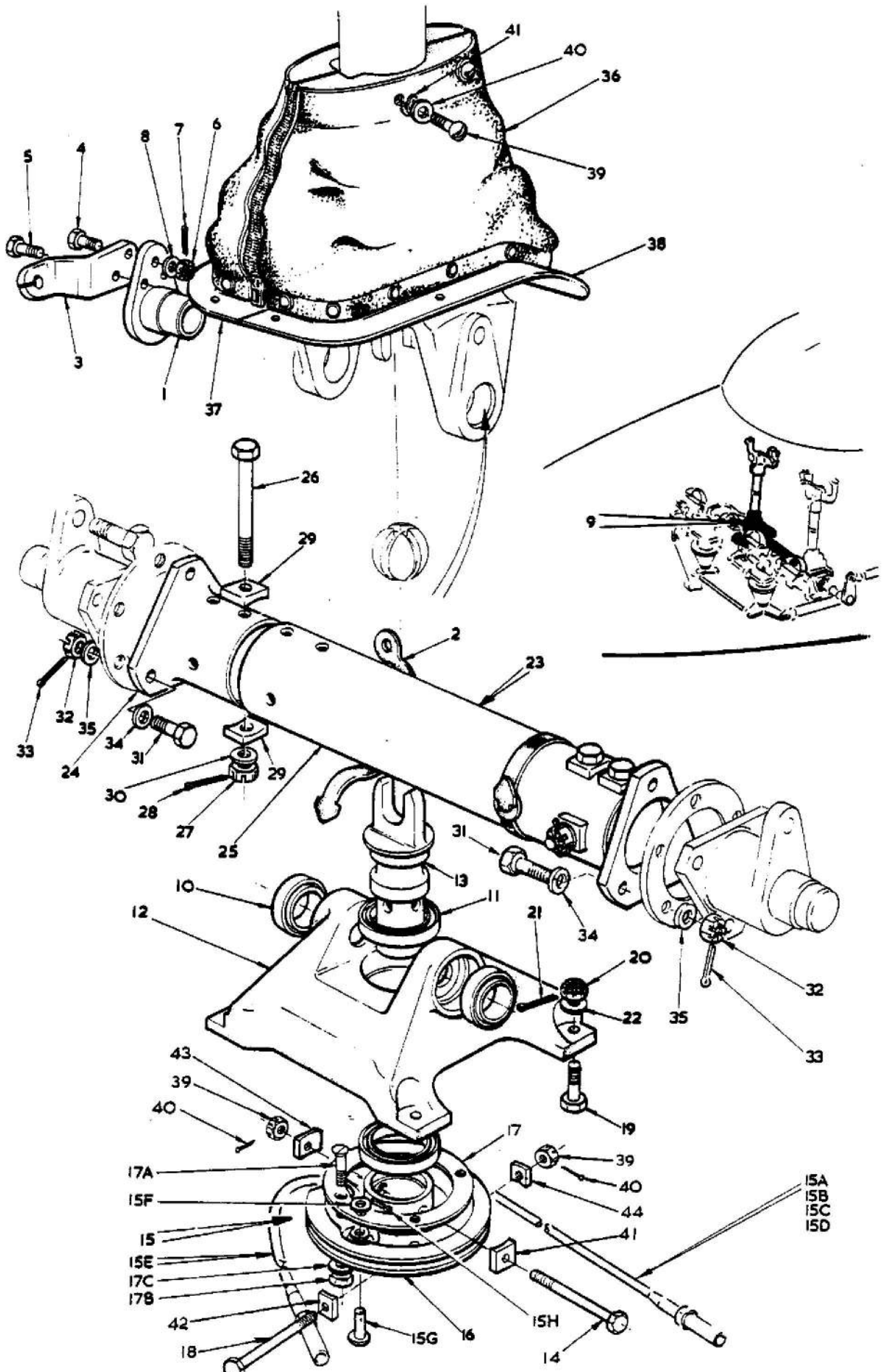


FIG. 3 FLYING CONTROLS IN COCKPIT

CODE S

SECT DA

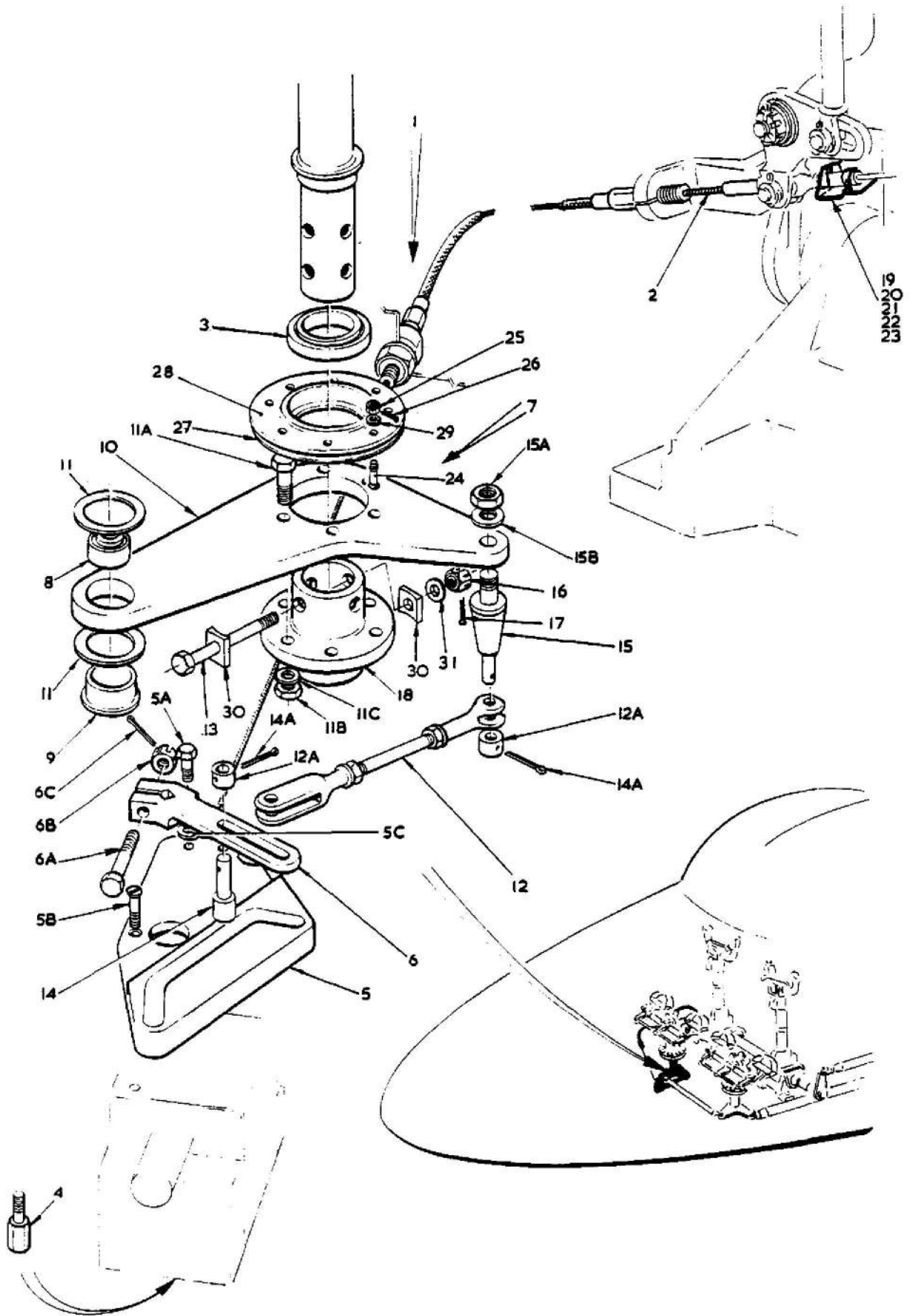


FIG. 4 FLYING CONTROLS IN COCKPIT

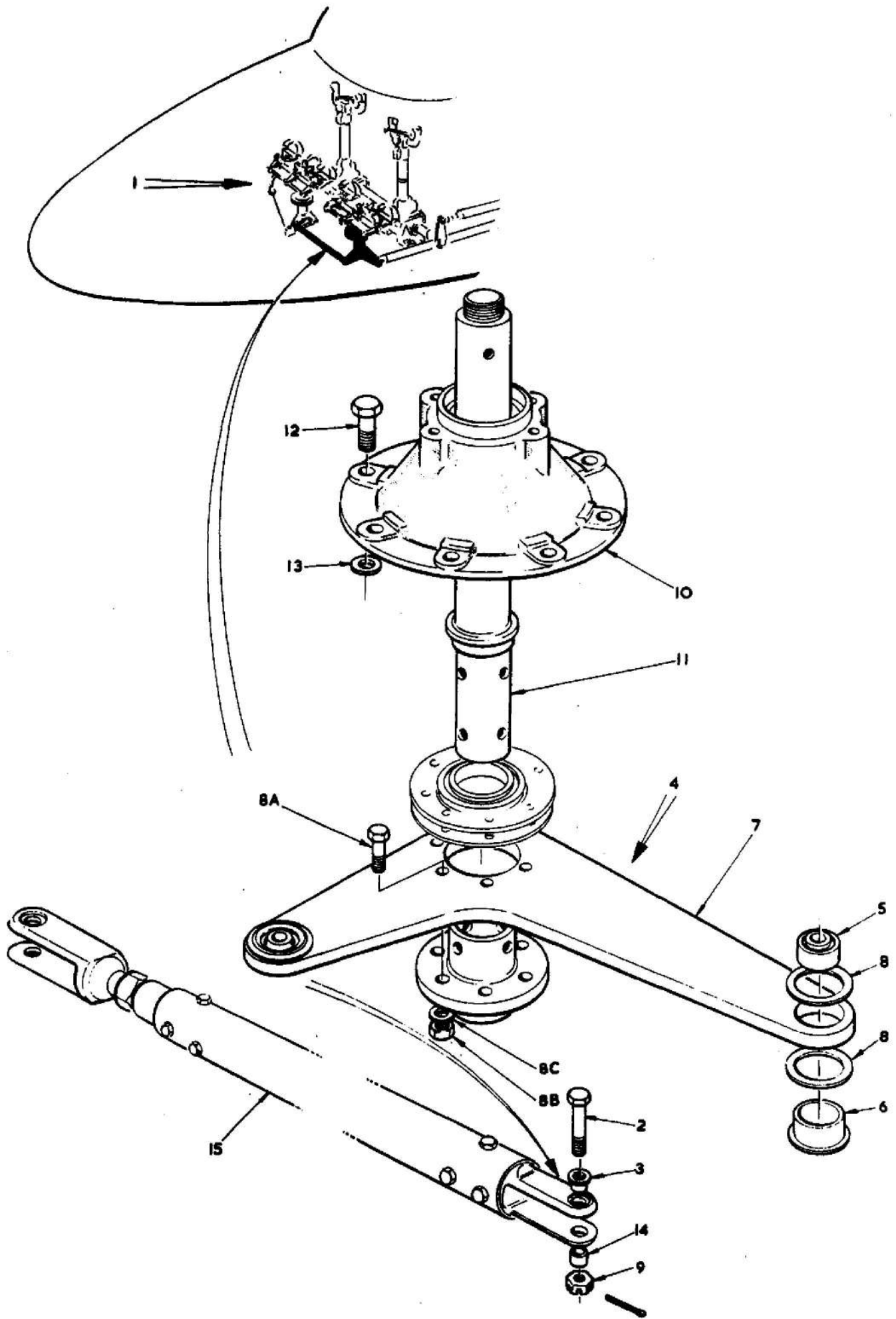
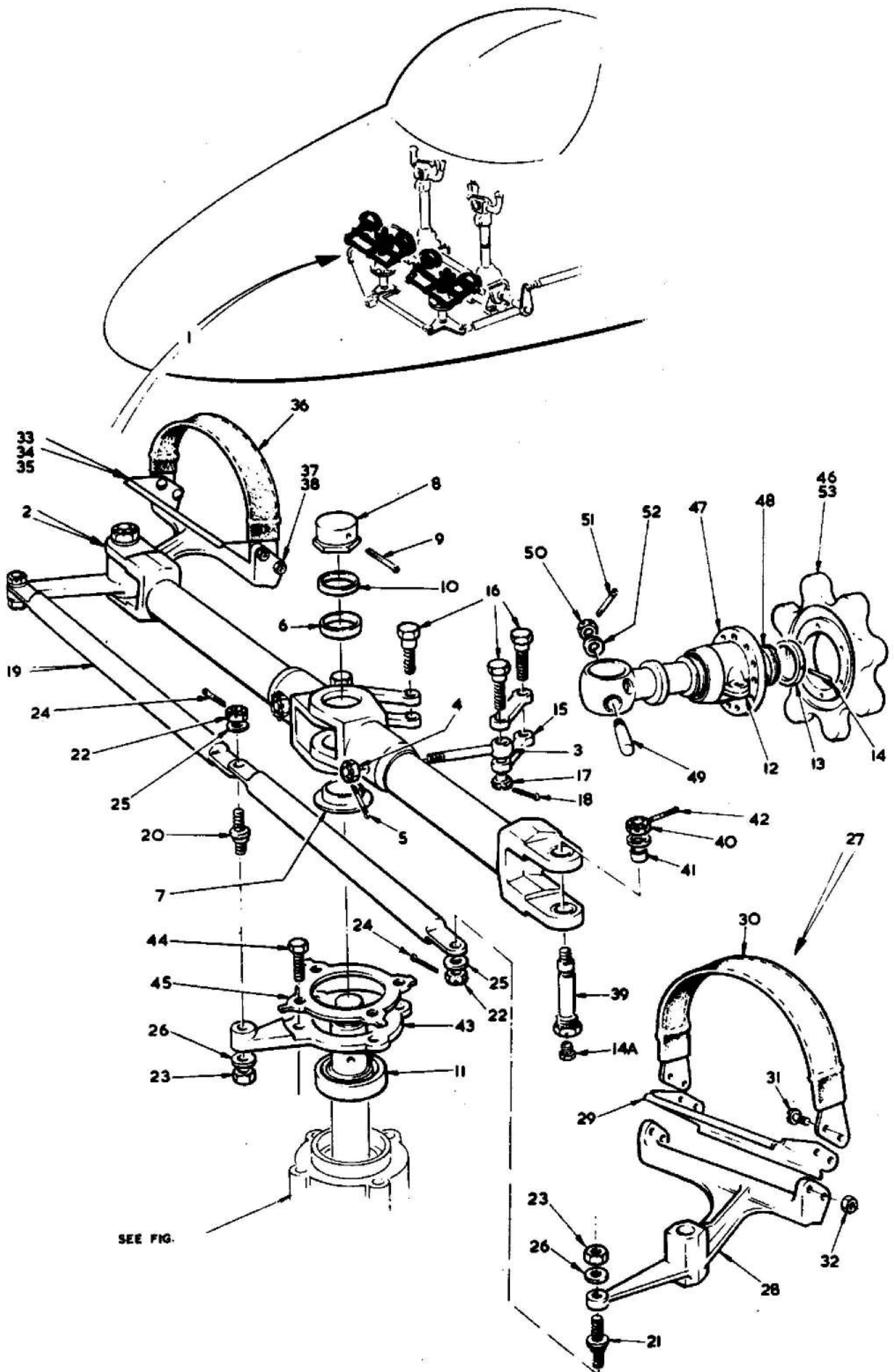


FIG. 5 FLYING CONTROLS IN COCKPIT



SEE FIG.

FIG. 6 FLYING CONTROLS IN COCKPIT

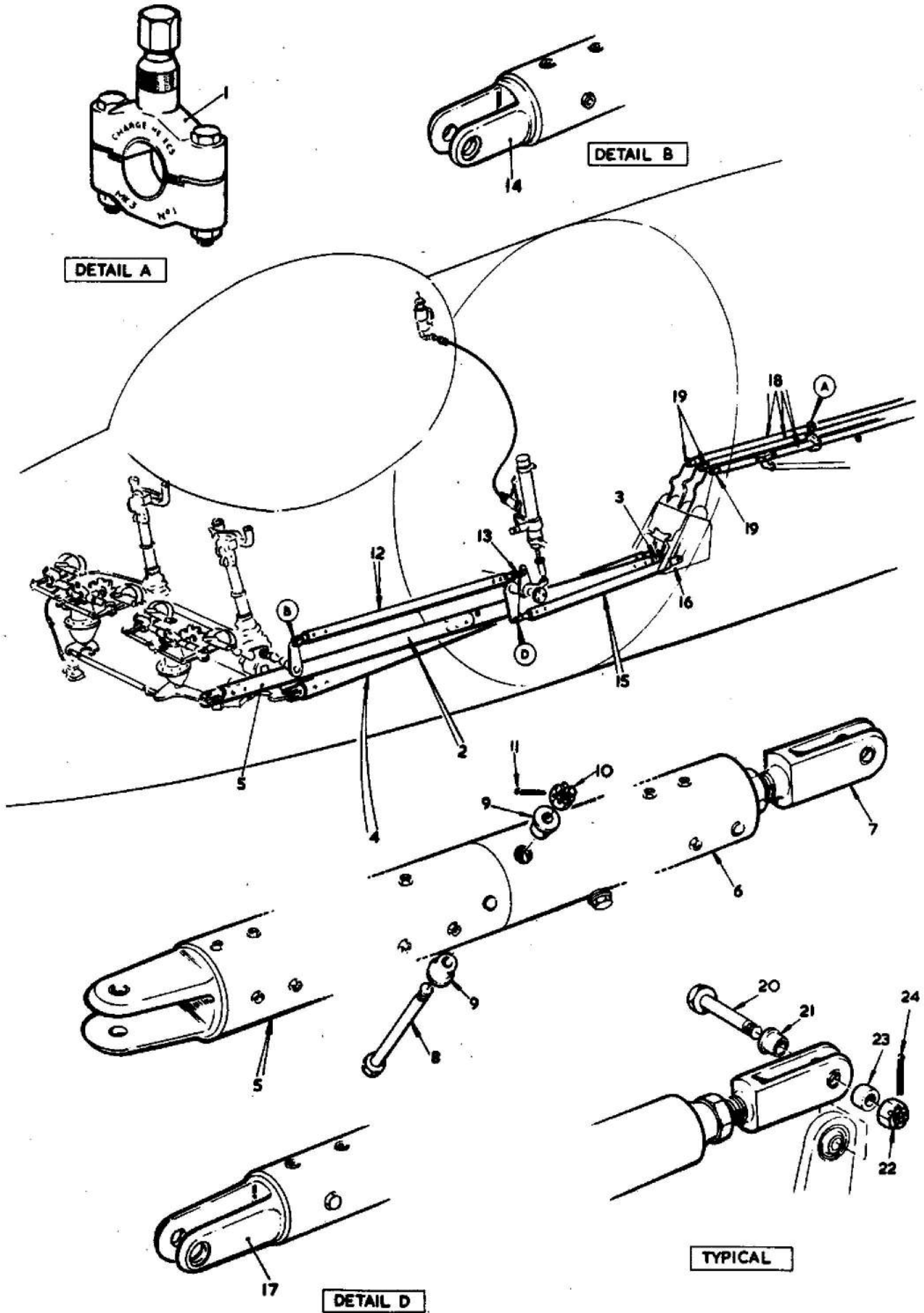


FIG.7 FLYING CONTROLS IN COCKPIT

CODE 5

SECT DA

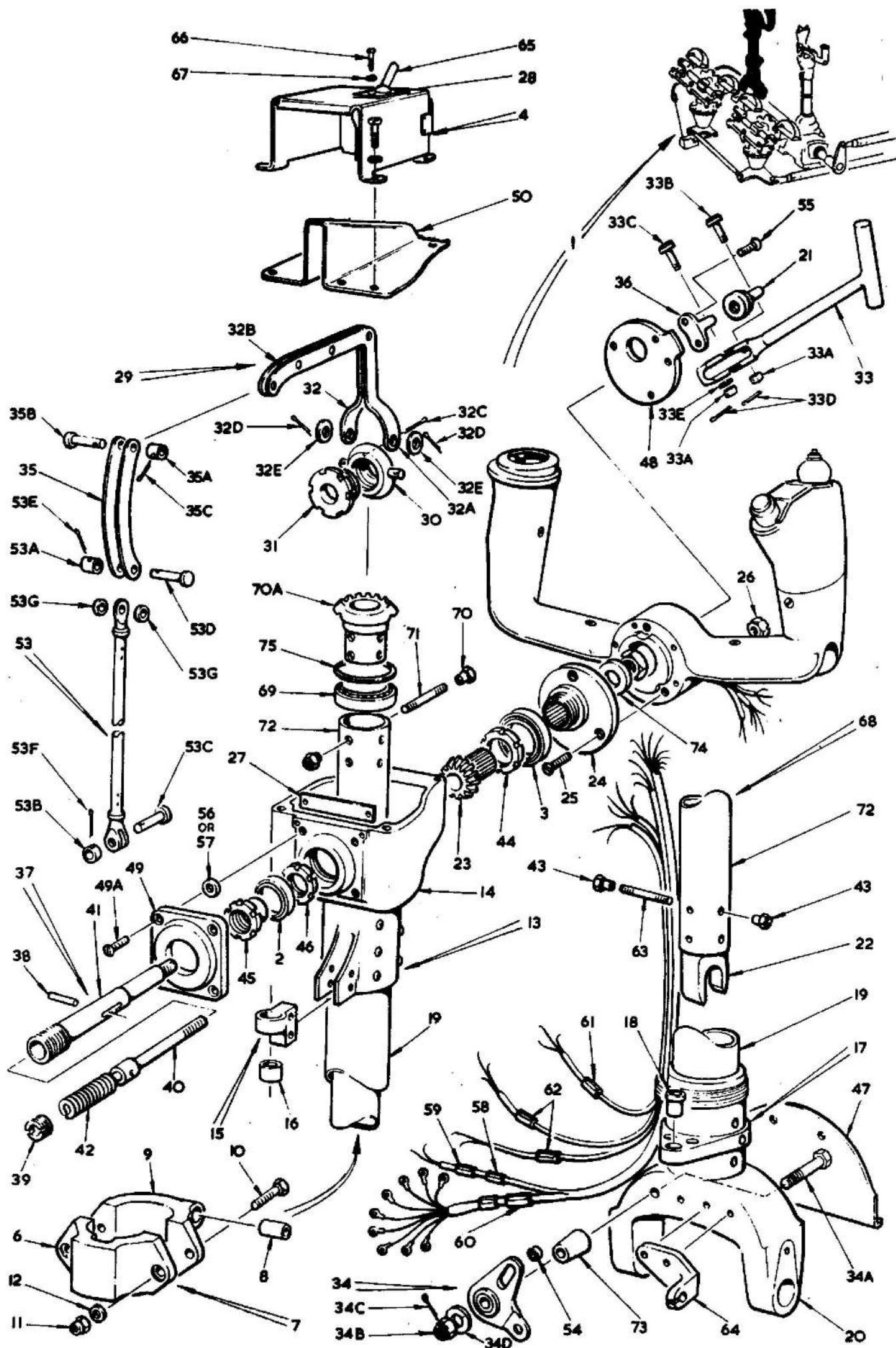


FIG.8 FLYING CONTROLS IN COCKPITS

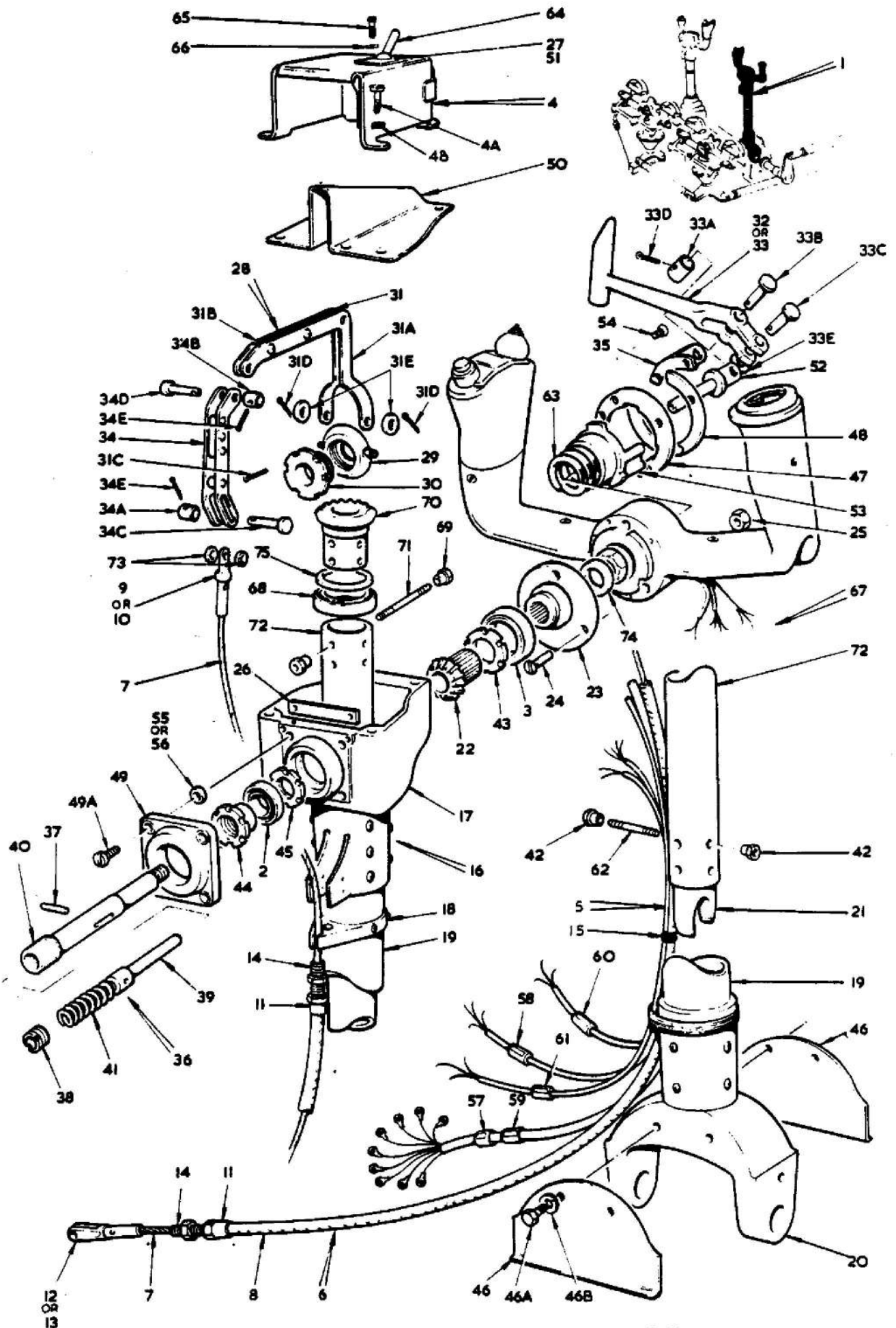


FIG. 9 FLYING CONTROLS IN COCKPIT

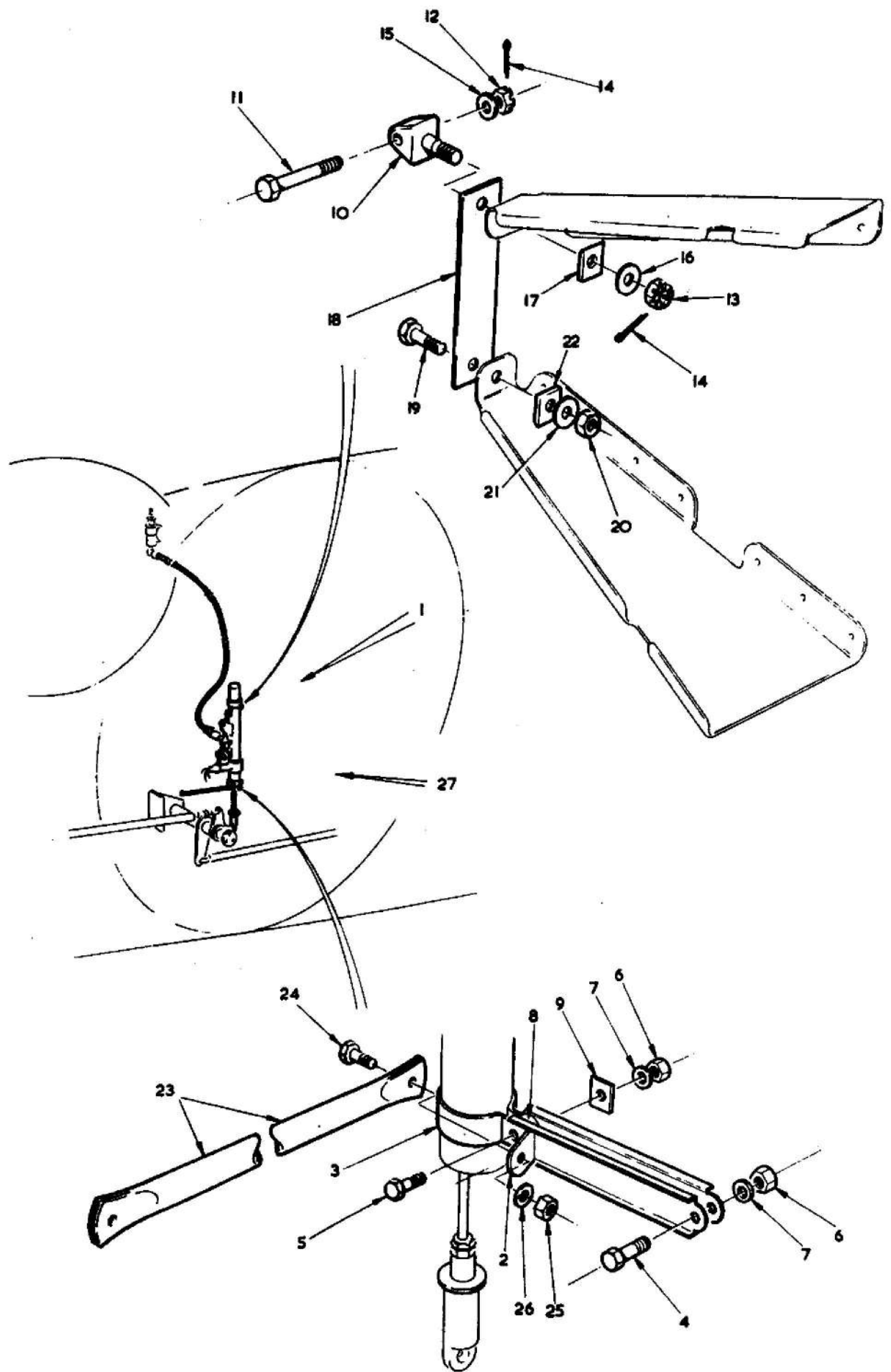


FIG.10 FLYING CONTROLS IN COCKPIT

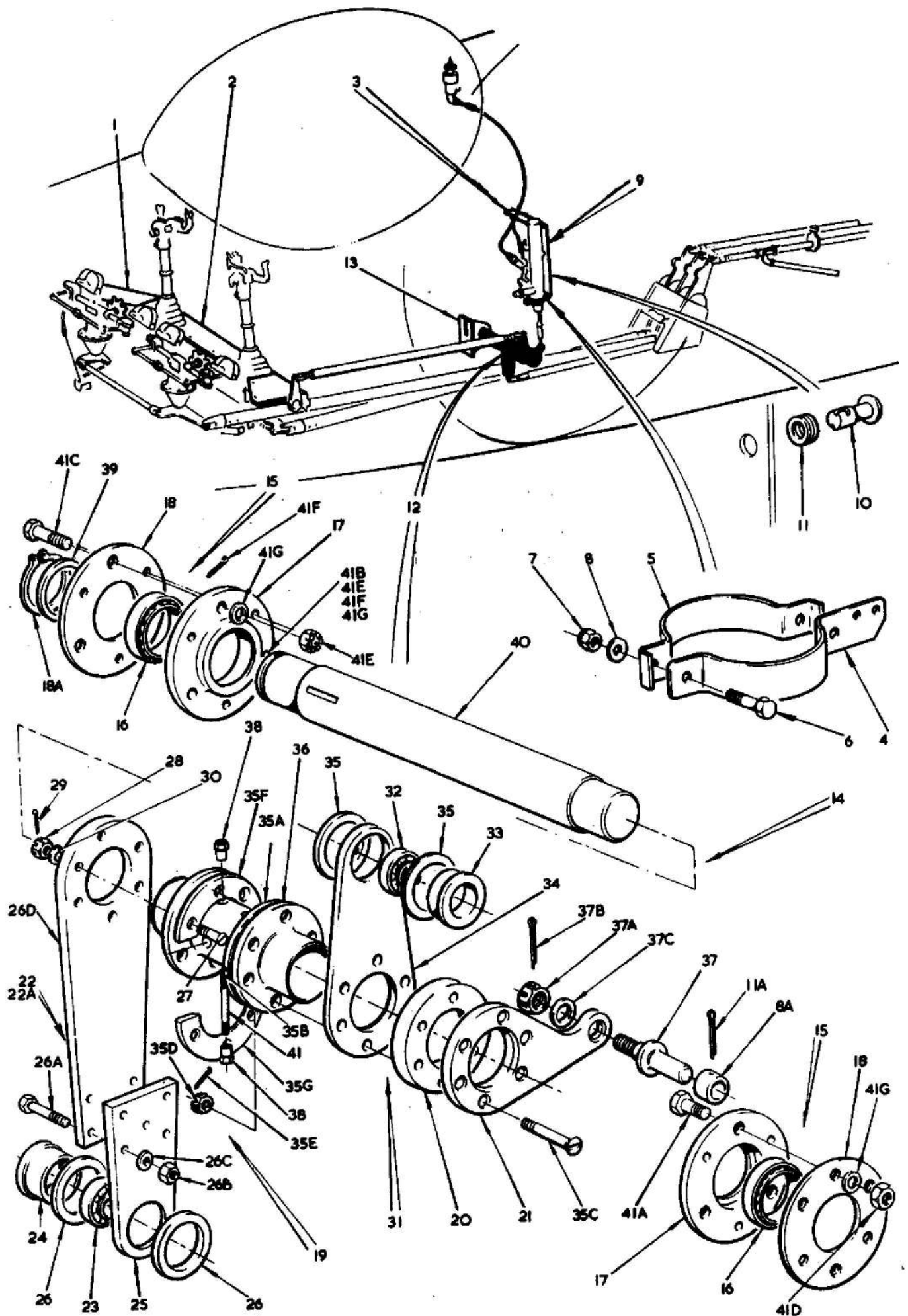


FIG. II FLYING CONTROLS IN COCKPIT

CODE 5

SECT. DA

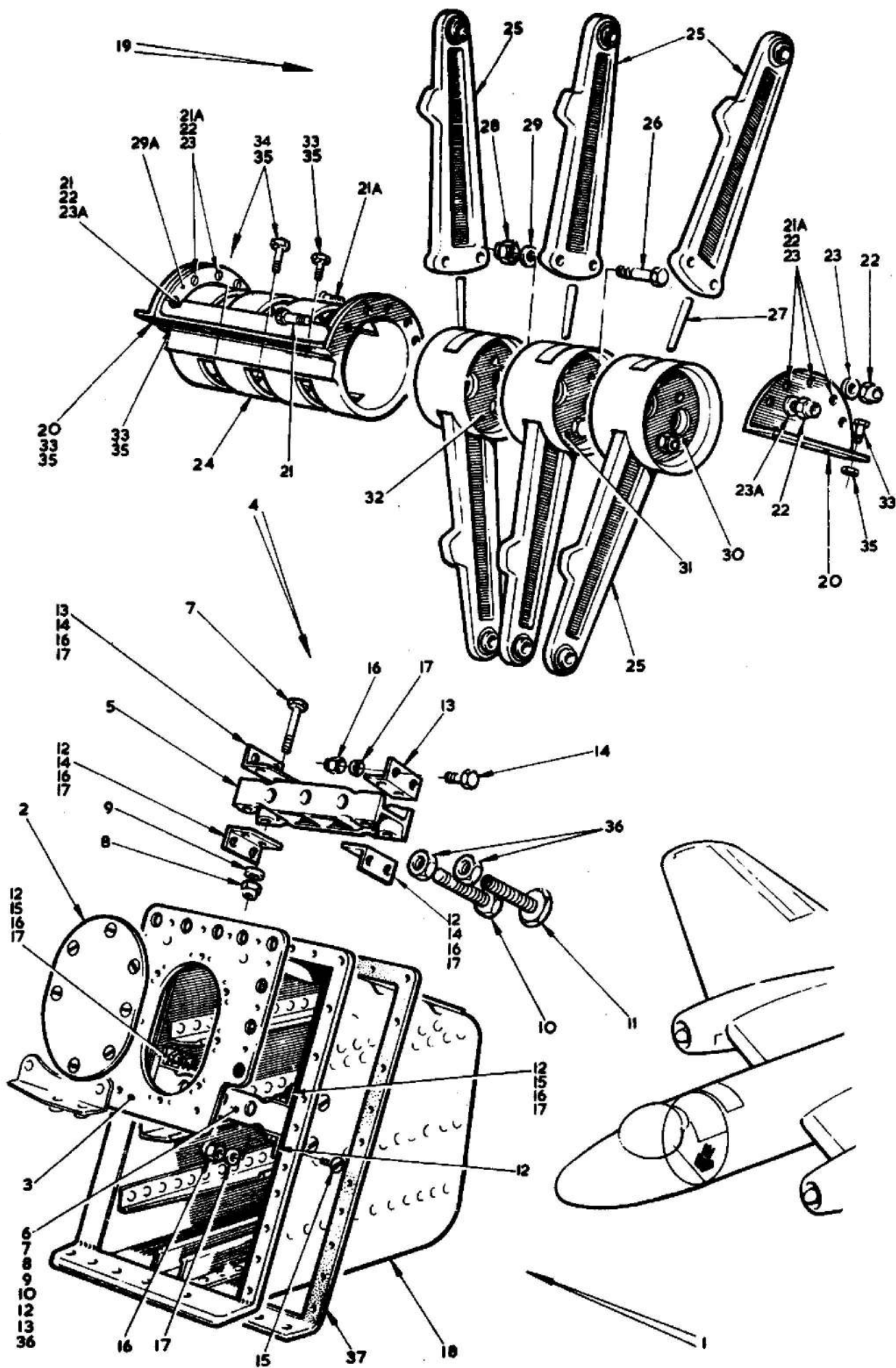


FIG. 12 FLYING CONTROLS IN COCKPIT



This file was downloaded from the RTFM Library.

Link: www.scottbouch.com/rtfm

Please see site for usage terms, and more aircraft documents.

