

EQUIPMENT
GROUND AND MAINTENANCE

Ref. No.	Part No.	Description	1 2 3 4 5 6						No. off	Mtrl. Spec.	Cl. of Equip M.R. L.M.	Plate No.
	EA1.88.2	GROUND EQUIPMENT, ASSEMBLY										
		Spares for:—										
4Q/4230826	EA1.88.77	ADAPTOR, fuselage jacking						1	—	B	F1/1	
		Spares for:—										
28M/1013167	AGS120C	NUT, wing						1	—	C	F1/1A	
28W/9416644	SP47E	WASHER, spring						1	—	C	F1/1B	
1L/9106303	BRITTOOL AP.ES	ADAPTOR, canopy fuselage to torque wrench (Mod 2536—S.O.O.)						1	—	C		
4G/1050581	†	ADAPTOR, oleo charging						2	—	B	F3/9	
4GC/4232223	†	ADAPTOR-SETS, engine stand						1	—	B		
95087	EA3.88.157	ARM, NOSEWHEEL STEERING, ASSEMBLY						1	—	A	F1/2	
		Spares for:—										
20870	EA3.88.57	ARM, STEERING, ATTACHMENT						1	—	MR	F1/3	
		Spares for:—										
21123	EA3.88.47	BAR, release, axle pin						2	—	MR	F1/4	
21124	EA3.88.49	BAR, release plunger						2	—	MR	F1/5	
21218	EA3.88.51	BUSH						2	—	MR	F1/6	
95459	EA3.88.43	GUIDE, plunger						2	—	C	F1/7	
26190	EA3.88.55	PIN, adaptor						2	—	MR	F1/8	
		Attaching parts for EA3.88.55:—										
28D/1202774	A25/30J	Bolt, 1/8" BSF						4	—	C	F1/8A	
28M/1011473	A27JP	Nut, 1/8" BSF						4	—	C	F1/8B	
28W/9416646	SP47J	Washer, spring						4	—	C	F1/8C	
22988	EA3.88.25	PIN, axle, port						1	—	MR	F1/9	
21120	EA3.88.27	PIN, axle, starboard						1	—	MR	F1/10	
21122	EA3.88.45	PLUNGER						2	—	C	F1/11	
28S/9157820	A55C6	SCREW, grub, 2BA						2	—	C	F1/30	
28S/9435716	A33B12	SCREW, cak. head, 4BA						2	—	C	F1/31	
21219	EA3.88.69	SPRING						2	—	MR	F1/12	
95460	EA3.88.53	WASHER, saddle						2	—	C	F1/13	
		Attaching parts for EA3.88.57:—										
28D/1011324	A25/30N	Bolt, 1/8" BSF						2	—	C	F1/32	
27M/1011477	A27NP	Nut, 1/8" BSF						2	—	C	F1/33	
28W/9416648	SP47N	Washer						2	—	C	F1/34	
95494	FLEXELLO 633C1	CASTOR, unit						2	—	C	F1/14	
95022	EA3.88.15	ATTACHMENT, NOSE TOWING BAR, ASSEMBLY						1	—	B	F1/5	
		Spares for this assembly are identical with those for assembly Part No. E.A3.88.57 except for the following deletion and addition.										
		Delete:—										
26190	EA3.88.55	PIN, adaptor						2	—	MR		
		Add:										
25733	EA3.88.37	PIN, adaptor						2	—	MR	F1/16	
4GB/4409924	†	BAR, towing						1	—	A	F1/17	
95299	EA3.88.297	BLOCK, removable, No. 1 and 2 fuel tank vents						2	—	B	F2/22	
		ELECTRO HYDS.										
95103	T1342/75	BLOCK, split for air brakes jack servicing						1	—	B	F2/23	
95490	EA1.88.889	BOLT, alave, canopy (ST4833) (Mod 2536—S.O.O.)						32	S97	C	F2/1	
95413	EA3.88.307	BRACKET, MAIN WHEEL JACKING ASSEMBLY						2	—	B	F3/1	
		Spares for:—										
21870	EA3.88.219	BOLT, special						2	S94 or S95	C	F3/2	
21869	EA3.88.215	NUT, special						2	—	C	F3/2A	

EQUIPMENT
GROUND AND MAINTENANCE

Ref. No.	Part No.	Description	No. off	Matl. Spec.	Cl. of Equip M.R. L.M.	Plate No.
95013	EA3.88.79	. BRIDLE, detachable for wing slinging Spares for:—	1	—	A	F4/1
951	EA1.51.17	. . BEARING, spherical	2	—	—	F4/31
	EA3.88.85	. . PICK-UP	2	—	—	F4/32
	or					
	EA3.88.381	. . PICK-UP	2	—	—	F4/32
971	EA1.51.19	. . PIN	2	—	C	F4/33
4GB/4409987	↑	. BRIDLE, towing, main undercarriage	1	—	B	
1971	EA3.88.91	. CLAMP, AILERON LOCKING, ASSEMBLY Spares for:—	1	—	B	F3/3
6799	EA3.88.103	. . PENNANT	2	—	C	F3/4
6800	EA3.88.101	. . STRAP, assembly	1	—	C	F3/5
1972	EA3.88.92	. CLAMP, AILERON LOCKING, ASSEMBLY Spares for:—	1	—	B	F3/6
6799	EA3.88.103	. . PENNANT	2	—	C	F3/4
20738	EA3.88.102	. . STRAP, assembly	1	—	C	F3/7
1867	EA1.88.73	. CLAMP, ELEVATOR LOCKING, STARBOARD ASSEMBLY Spares for:—	1	—	B	F4/2
20736	EA1.88.185	. . PENNANT	1	—	C	F4/3
28FP/4062336	AGS2105/617	. . PIN, 'Pip'	2	—	C	F4/4
13142	EA1.88.873	. CLAMP, elevator locking, port Spares for:—	1	—	B	F4/5
20736	EA1.88.185	. . PENNANT	1	—	C	F4/3
28FP/4062336	AGS2105-617	. . PIN, 'Pip'	2	—	C	F4/4
2468	EA3.88.153	. CLAMP, RUDDER LOCKING, ASSEMBLY (PRE—MOD 5096) Spares for:—	1	—	B	F4/6
6119203	EA3.88.383	. CLAMP, RUDDER LOCKING, ASSEMBLY (MOD 5096) Spares for:—	1	—	B	F4/6A
20778	EEAS20/2ER	. . LUG	4	—	C	F4/30
20432	EA3.88.97	. . PENNANT, assembly	1	—	C	F4/6B
28FP/9432062	AGS2105-413	. . PIN, 'Pip'	1	—	C	F4/7
14747	TERRY EX12	. . SPRING	1	—	C	F4/8
95298	EA3.88.205	. COVER, blanking, No. 1 & 2 fuel tank vents	2	—	B	F6/21
	EA1.88.399	. COVERS, AIRCRAFT, ASSEMBLY Spares for:—	—	—	—	
27D/2809	EA1.88.401	. . COVER, coupe	1	—	B	F5/2
27D/2810	EA1.88.403	. . COVER, engine	2	—	B	F5/3
27D/2811	EA1.88.405	. . COVER, jet pipe	2	—	B	F5/4
27D/2807	EA1.88.407	. . COVER, main wheel	2	—	B	F5/5
27D/2806	EA1.88.409	. . COVER, nosewheel	2	—	B	F5/6
27D/2666	EA1.88.597	. . COVER, pressure head	1	—	B	F5/7
27D/2878	EA1.88.787	. . COVER, equipment door	1	—	B	F5/8
95109	EA3.88.211	. CRADLE, for handling jettisonable wing tanks	1	—	A	
95037	EA1.88.417	. CRADLE, retraction (for use at frame 13)	1	—	A	F4/9
95038	EA1.88.419	. CRADLE, retraction test (for use at frame 29)	1	—	A	F4/10
95072	EA1.88.551	. DISC, setting, engine control, 12 SWG	2	L72	A	F2/2
95114	A6313	. EXTRACTOR, and assembly, tool for wheel	1	—	A	
95047	EA1.88.359	. EXTRACTOR, wing to fuselage, pick up pins	1	—	A	F2/4
95044	EA1.88.375	. EXTRACTOR, for tab torque tube lever	1	—	A	F2/5
95104	EA1.88.825	. EXTRACTOR, for aileron hinge pin	1	—	A	F2/6
95462	EB6.88.103	. EXTRACTOR, rudder blow-back rod (Mod 1912—S.O.O.)	1	—	B	F2/7
27G/4628835	DUNLOP A10009	. FIXTURE, brake alignment	1	—	A	

EQUIPMENT
GROUND AND MAINTENANCE

Part Number	Description	No. Off						Matl. Spec.	Plate No.	
		1	2	3	4	5	6			
EA1.88.91	FORMERS, ASSEMBLY, DRAWING, PORT Consisting of:-							-	-	F5/9
EA1.88.91A	FORMER, wing lifting gantry, forward							1	-	F5/10
EA1.88.91B	FORMER, wing lifting gantry, centre							1	-	F5/11
EA1.88.91C	FORMER, wing lifting gantry, aft							1	-	F5/12
EA1.88.91D	FORMER, wing lifting gantry, forward							1	-	F5/13
EA1.88.91E	FORMER, wing lifting gantry, centre							1	-	F5/14
EA1.88.91F	FORMER, wing lifting gantry, aft							1	-	F5/15
EA1.88.92	FORMERS, ASSEMBLY, DRAWING, STARBOARD Consisting of:-							-	-	F5/16
EA1.88.92A	FORMER, wing lifting gantry, forward							1	-	F5/17
EA1.88.92B	FORMER, wing lifting gantry, centre							1	-	F5/18
EA1.88.92C	FORMER, wing lifting gantry, aft							1	-	F5/19
EA1.88.92D	FORMER, wing lifting gantry, forward							1	-	F5/20
EA1.88.92E	FORMER, wing lifting gantry, centre							1	-	F5/21
EA1.88.92F	FORMER, wing lifting gantry, aft							1	-	F5/22
4Q1245	GANTRY, lifting, main plane							2	-	F5/23
EA3.88.179	GAUGE, tailplane incidence and dihedral							1	-	F4/11
EA1.88.93	GAUGE, wing incidence dihedral							1	-	F3/10
EA4.88.3	GAUGE, levelling, cockpit lateral and fuselage longeron							1	-	F1/18
EA1.88.893	GAUGE, inspection, assembly of canopy to fuselage (Mod 2536-S.O.O.)							1	-	F2/8
26FZ95653	GAUGES, clearance, aileron shroud screen (Supplied in set of three)							1 set	-	
EA1.88.747	GAUGE, levelling cockpit longeron and fuselage lateral							1	-	F1/19
EA1.88.823	GAUGE, aileron fixed tab angle checking							1	-	F2/9
EA1.88.785	GEAR LIFTING, COMPLETE AIRCRAFT, ASSEMBLY Spares for:-							2	-	F3/11
EA3.88.317	BOLT, special, shouldered							2	S97	F3/12
†	NUT, 3/4" Whitworth							2	-	F3/12A
EA3.88.315	RING, lifting and cable assembly							1	-	F3/12B
EA3.88.319	WASHER, special							2	MS	F3/13
EA1.88.817	GUARD, AIR INTAKE DEBRIS, ASSEMBLY Spares for:-							2	-	F5/24
EA3.88.295	BOLT, key							2	MS	F5/25
1B9575041	GUN, lubricating							1	-	
AT81489	HANDLE, crutching							1	-	
4Q4230661	HEAD, adaptor for 15 ton pillar jack							2	-	F3/8
EA1.88.257	HEAD, 10 ton jack adaptor							2	MS	F3/14
EA1.88.831	INDICATOR, engine controls setting disc, 16 SWG							1	DTD124	F2/10
EA1.88.349	INSERTER, piston ring main u/c oleo leg							1	L72	F2/11
EA1.88.363	INSERTER, wing to fuselage pick-up pins							1	-	F2/12
EA1.88.383	INSERTER, main oleo pivot point bush							1	-	F2/13
EA1.88.389	INSERTER, for bushes in torque links, main oleo leg							1	-	F2/14
EA1.88.391	INSERTER, and extractor, for sealing rings, main oleo leg							1	-	F2/15
EA1.88.733	INSERTER, main u/c pivot pin							1	-	F2/16
4Q4230641	JACK, hydraulic, fuselage							1	-	F1/21
4Q1045838	JACK, 10 ton, hydraulic, main wing							2	-	F3/15
4Q1045837	JACK, 15 ton, hydraulic pillar							2	-	F3/16
FT.8/2571	JIG, alignment, vent mast							1	-	
EA1.88.395	KEY, hydraulic, tank							1	-	F6/20

EQUIPMENT
GROUND AND MAINTENANCE

Part Number	Description	No. Off	Mati. Spec.	Plate No.
EA4.88.5024	. LOCKING handle (Mod 3488-S.O.O.)	1	-	
EA1.40.169	. LUG, picketing and towing	2	S11	F4/12
D2606Y	. NOZZLE, flexible, c/w gauge	1	-	
EA1.88.255	. PIN, nosewheel locking	1	-	F1/22
EA1.88.891	. PIN, locating (ST.8/4842)	6	-	F2/17
EA1.88.547	. PLATE, setting, bellcrank lever, engine control, port	1	-	F2/18
EA1.88.548	. PLATE, setting, bellcrank lever, engine control, starboard	1	-	F2/19
EA1.88.549	. PLATE, setting, throttle box, 16 SWG	1	L72	F2/20
EA3.88.281	. PLUG, BLANKING, CABIN PRESSURE CONTROL VALVE, GROUP	1	-	F1/23
-	Consisting of:-			
-	. . CHAIN, retaining	QR	Brass	F1/24
EA2.88.77	. . PENNANT	1	-	F1/25
EA3.88.283	. . PLUG	1	L40	F1/26
-	. . RING, split, 3/4" o/d x 1/16" dia	2	-	F1/27
IN15258	. PLUG, protective, static vents	4	-	
4G4420031	. PUMP, type 'F', oleo	1	-	
1C9105853	. SCREW-DRIVER	1	-	
EA1.88.599	. SEAL, engine dust	2	-	F5/31
EA1.88.797	. SLAVE, ENGINE COWLING, PORT, ASSEMBLY	1	-	F5/26A
-	Spares for:-			
EA1.50.1053	. . BLOCK, attachment, debris guard	2	-	F5/26B
EA1.50.1055	. . COVER, plate debris guard attachment plate	2	L72	F5/27
EA1.88.809	. . PIPE, EXHAUST ASSEMBLY	2	-	F5/28
-	Spares for:-			
EA1.88.853	. . . BOLT, special	3	-	F5/33
EA1.88.855	. . . PLATE, swivel	3	-	F5/34
AS460/214	. . . RIVET, 7/8" dia, 90° csk	3	-	F5/35
EA1.88.813	. . . SCREW, special	3	S1	F5/29
EA1.88.849	. . . SCREW, special	2	S1	F5/30
EA1.88.851	. . . SCREW, special	4	S1	F5/30A
EA1.88.798	. SLAVE, COWLING, STARBOARD, ASSEMBLY	1	-	F5/26
-	Spares for this assembly are identical with those for assembly Part No.EA1.88.797			
EA1.88.743	. SLEEVE, MAIN UNDERCARRIAGE WHEEL LOCKING, GROUP	2	-	F3/17
-	Spares for:-			
EA2.88.77	. . PENNANT	1	-	F3/18
AVDEL A817	. . PIN, 'Pip', quick release	2	-	F3/19

R
R
R

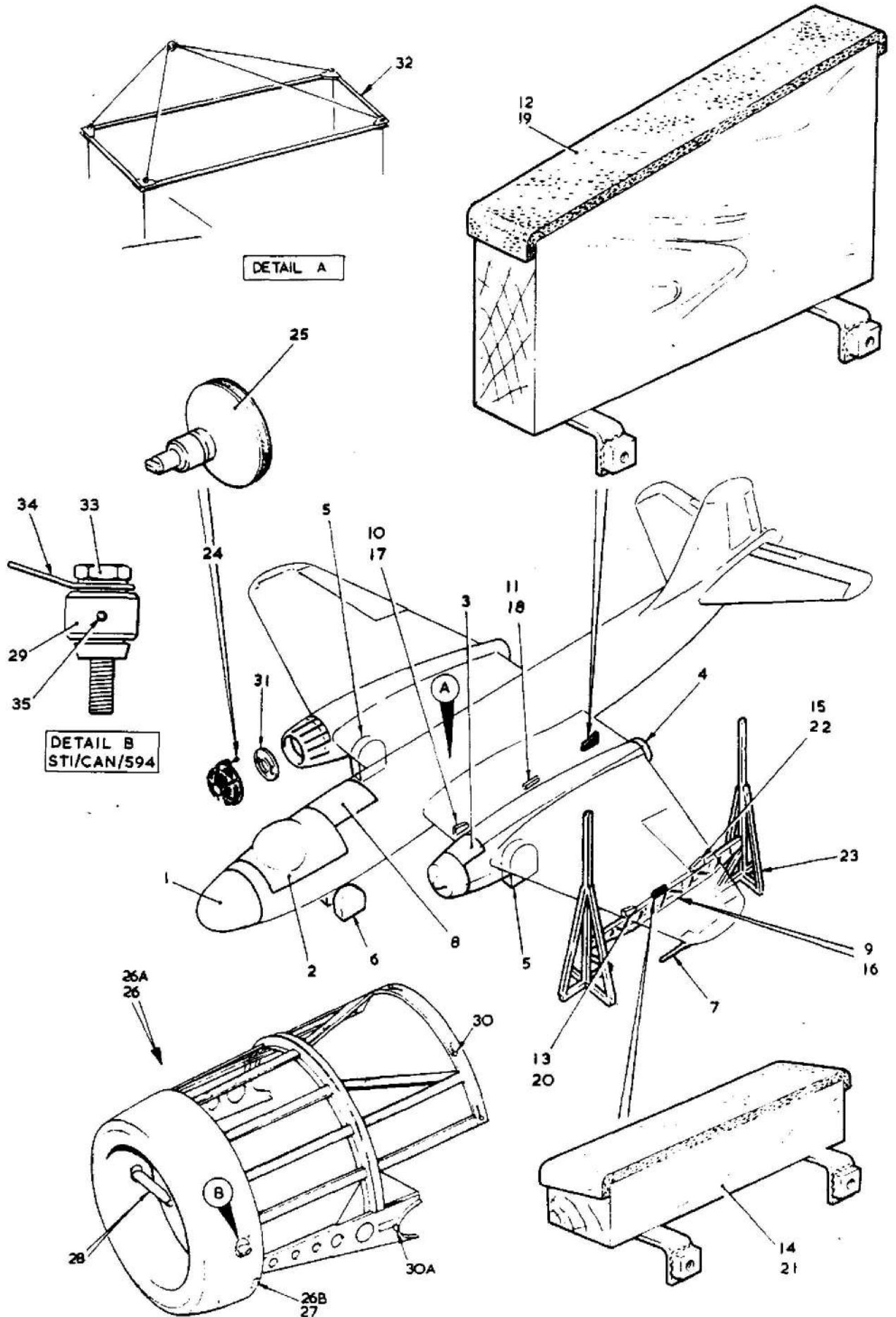


FIG.5 EQUIPMENT GROUND & MAINTENANCE

EQUIPMENT
GROUND AND MAINTENANCE

Part Number	Description	No. Off	Mati. Spec.	Plate No.
EA1.88.919	. SLING AND FRAME, MAINPLANE LIFTING, ASSEMBLY Spares for:-	1	-	F3/20
EA1.88.919G	. . CABLE, 1/2" dia, 6 x 19	1	BS302	F3/21
EA1.88.919H	. . CABLE, 1/2" dia, 6 x 19	1	BS302	F3/22
EA1.88.919J	. . CABLE, 1/2" dia, 6 x 19	1	BS302	F3/23
EA1.88.919K	. . CABLE, 1/2" dia, 6 x 19	1	BS302	F3/24
EA1.88.919M	. . CABLE, 1/2" dia, 6 x 19	1	BS302	F3/25
EA1.88.919N	. . CABLE, 1/2" dia, 6 x 19	1	BS302	F3/26
EA1.88.919P	. . CABLE, 1/2" dia, 6 x 19	1	BS302	F3/27
EA1.88.919R	. . CABLE, 1/2" dia, 6 x 19	1	BS302	F3/28
A9	. . FERRULE, cable	4	-	F3/29
A13	. . FERRULE, cable	12	-	F3/30
EA1.88.17	. . HOOK	3	-	F3/31
EA1.88.927	. . HOOK	1	-	F3/32
EA1.88.933	. . LABEL, ident	1	-	F3/33
EA1.88.925	. . NUT and bolt, assembly	3	-	F3/34
EA1.88.923	. . RING	3	-	F3/35
EA1.88.921	. . SHACKLE	6	-	F3/36
EA1.88.929	. . Bolt, 3/8"	1	-	F3/37
MS103/28	. . Nut, 3/8"	1	-	F3/38
SP18J	. . Washer	1	-	F3/39
EA1.88.919A	. . TUBE, 3" o/d x 203" long	1	-	F3/40
EA1.88.919B	. . TUBE, 3" o/d x 143.8" long	1	-	F3/41
EA1.88.919C	. . TUBE, 3" o/d x 167.4" long	1	-	F3/42
	Attaching parts for EA1.88.919A, EA1.88.919B and EA1.88.919C:-			
EA1.88.931	. . Bolt, 1/2"	1	-	F3/43
MS109/29	. . Nut, 1/2"	1	-	F3/44
SP90G10	. . Ping, split, 1/8" dia	1	-	F3/45
SP18N	. . Washer	1	-	F3/46
SP122S	. . WASHER	3	-	F3/47
EA1.88.59	. SLING, tailplane	1	-	F4/14
EA1.88.61	. SLING, centre fuselage, lifting, complete	1	-	F5/32
EA1.88.63	. SLING, front fuselage, lifting, complete	1	-	F4/13
	Spares for:-			
EA1.88.219	. . NUT	2	-	F4/13A
AGS2105-930	. . PIN, pip	1	-	F4/13B
EA1.88.65	. SLING, rear fuselage, lifting, complete	1	-	F4/15
EA1.88.601	. SLING, fin and rudder	1	-	F4/16
EA1.88.741	. SLING, combined nose and mid-fuselage, lifting	1	-	F4/24
H5572	. SOCKET, 7/16" BSF, for explosive bolts	1	-	
H4532	. SOCKET, 3/4" BSF, for attachment bolts	2	-	

R
R

EQUIPMENT
GROUND AND MAINTENANCE

Part Number	Description 1 2 3 4 5 6	No. Off	Matl. Spec.	Plate No.

EQUIPMENT
GROUND AND MAINTENANCE

Part Number	Description	No. Off	Matl. Spec.	Plate No.
H4541	. SOCKET, 1" BSF, for explosive bolts	6	-	
EA1.88.263	. SPANNER, integral and wing tip tanks drain plug	1	DTD124A	F6/4
EA3.88.293	. SPANNER, wing tip tank drain plug	1	-	F6/5
EA1.88.877	. SPANNER, nosewheel 'up' lock release	1	-	F6/6
EA1.88.345	. SPANNER, torque link main u/c special screw	1	DTD124	F6/7
EA1.88.347	. SPANNER, special 'C' main u/c oleo stop nut	1	-	F6/8
EA1.88.353	. SPANNER, special, main u/c oleo piston	1	-	F6/9
EA3.88.303	. SPANNER, special, main u/c oleo bearing ring	1	-	F6/10
EA3.88.135	. SPANNER, special, main u/c oleo, axle clamp	1	Steel	F6/2
EA1.88.365	. SPANNER, special, plug forward jacking point housing	1	-	F6/11
EA1.88.379	. SPANNER, universal, for attaching aileron to centre hinge bracket	1	MS	F6/12
EA1.88.385	. SPANNER, special, for u/c pivot pin	1	MS	F6/13
EA1.88.531	. SPANNER, special, for drop tank assembly	1	MS	F6/15
EA1.88.387	. SPANNER, special, for u/c pivot nut	1	MS	F6/14
1C9106265	. SPANNER, union, main fuel feed	2	-	
EA1.88.749	. SPANNER, forward bomb crutch	1	-	F2/24
EA1.88.23	. SPIGOT, forward jacking, front fuselage	1	S65	F1/28
EA3.88.273	. STRAP, metal, for use with combined nose and centre fuselage sling	1	-	F4/21
EA1.88.799	. STRUT, jury tailplane	1	-	F4/17
EA4.88.25	. TEMPLATE, NEUTRAL RIGGING, ASSEMBLY	-	-	F4/18
	Spares for:-			
EA3.88.257 TEMPLATE, neutral rigging, aileron	1	-	F4/20
EA4.88.27 TEMPLATE, neutral rigging, elevator	1	-	F4/19
EA3.88.247 TEMPLATE, neutral rigging, rudder	1	-	F2/21
EA1.88.361	. TOOL, shock absorbing piston centralising	1	-	F6/16
EA1.88.361	. TOOL, special combination, main u/c oleo, insertion and extraction of spherical bearing	1	-	F6/17
EA1.88.821	. TOOL, setting, for aileron fixed tab	1	-	F6/18
MARTIN BAKER AMBEU/70/EE	. TOOL, for cocking and uncocking snatch unit	1	-	
EB6.88.101	. TOOL, separating	1	-	F6/19
4Q4230643	. TRESTLE, fuselage jacking, Mk.2	1	-	F1/29
4Q4230849	. TRESTLE, wing jacking, Mk.1	2	-	F3/52
EA1.88.87	. TRESTLE, REAR FUSELAGE, ASSEMBLY	-	-	F4/25
	Spares for:-			
EA1.88.87A FORMER, forward	1	Spruce	F4/26
EA1.88.87B FORMER, aft	1	Spruce	F4/27
EA1.88.85	. TROLLEY, MAINTENANCE, GROUND PRESSURE CABIN, ASSEMBLY	1	-	
	Spares for:-			
EA2.88.53 WHEEL, trolley (Capowheel T82)	4	-	
4F1041044	. TROLLEY, Mk.1, pressure cabin testing	1	-	
4F2088744	. TROLLEY, Mk.1A, servicing, hydraulic	1	-	
1C9551731	. WRENCH, torque, for attachment bolts	1	-	
H5774	. WRENCH, torque, pilot's canopy	1	-	
JENKS BROS. EVT.600	. WRENCH, torque, for explosive bolts, canopy to fuselage attachment (Mod 2536-S.O.O.)	1	-	
AS17026	. YOKE, bar towing	1	-	

EQUIPMENT
GROUND AND MAINTENANCE

Part Number	Description	No. Off	Matl. Spec.	Plate No.
	TRANSPORTATION EQUIPMENT	—	—	
	Spares for:—			
26FZ95279	. BEAM, transportation, fuselage nose (43G/SAL/180)	1	Deal	
26FZ95280	. BEAM, transportation, mid section front fuselage (43G/SAL/180)	1	Deal	
26FZ95281	. BEAM, transportation, fuselage, rear section, rear (43G/SAL/181)	1	Deal	
26FZ95282	. BEAM, transportation, fuselage, rear section, front (43G/SAL/181)	1	Deal	
26FZ95285	. BEAM, transportation, fuselage, mid section, rear (43G/SAL/182)	1	Ash	
26FZ95289	. BEAM, transportation, mainplane, outer, port (43G/SAL/194)	1	Ash	
26FZ95290	. BEAM, transportation, mainplane, outer, starboard (43G/SAL/194)	1	Ash	
26FZ95291	. BEAM, transportation (Support Blocks), mainplane (43G/SAL/195)	2	RSJ	
26FZ95286	. BLOCK, transportation, mainplane, front (43G/SAL/185)	2	Ash	
26FZ95287	. BLOCK, transportation, mainplane, rear (43G/SAL/185)	2	Ash	
26FZ95288	. BLOCK, transportation, mainplane, centre (43G/SAL/185)	2	Ash	
26FZ95283	. PEDESTAL, transportation, tailplane (43G/SAL/183)	1	MS	
26FZ95284	. PEDESTAL, transportation, tailplane (43G/SAL/184)	2	MS	
	NOTE:—The number off shown is the quantity required for the transportation of one aircraft.			

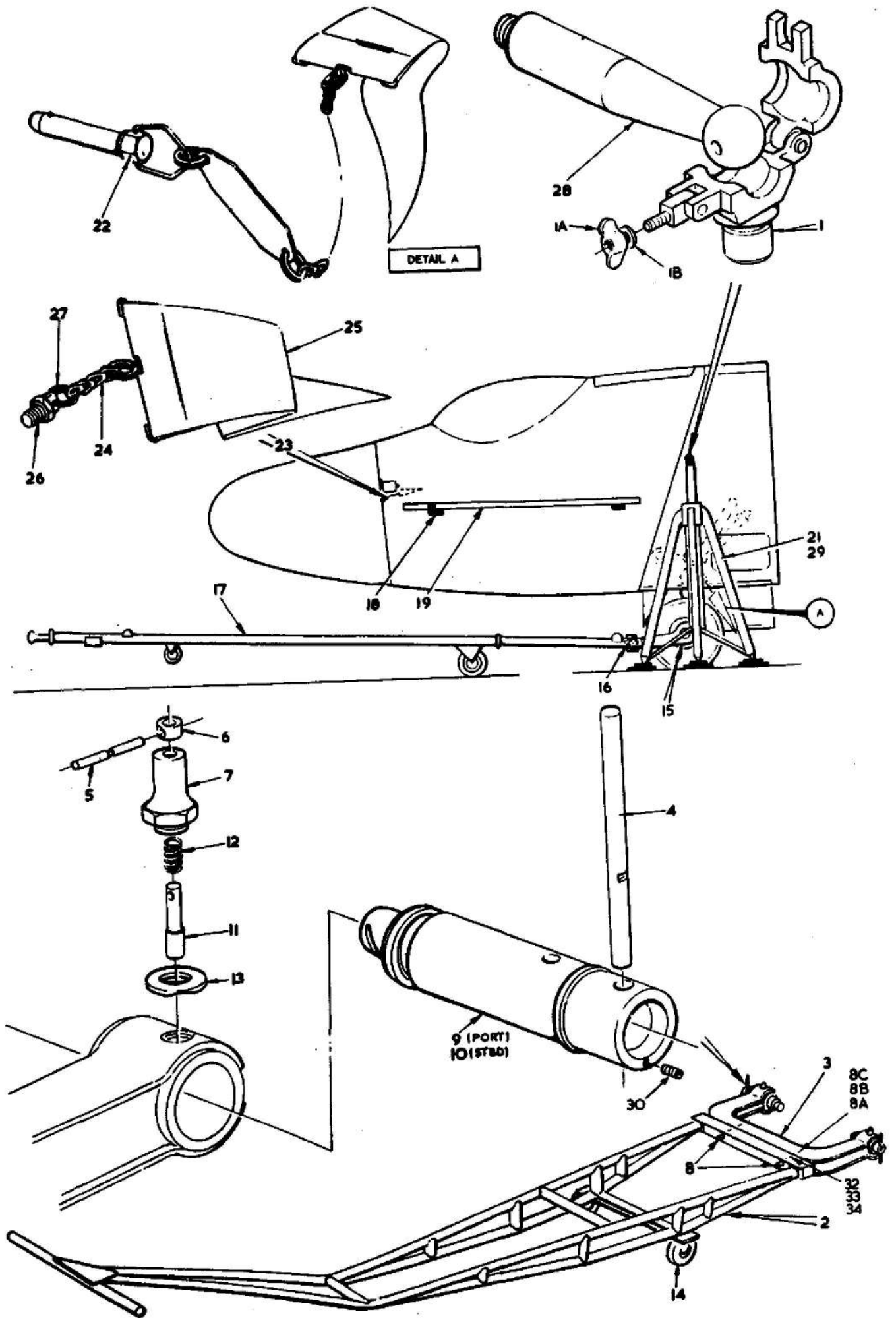


FIG.1 EQUIPMENT GROUND & MAINTENANCE

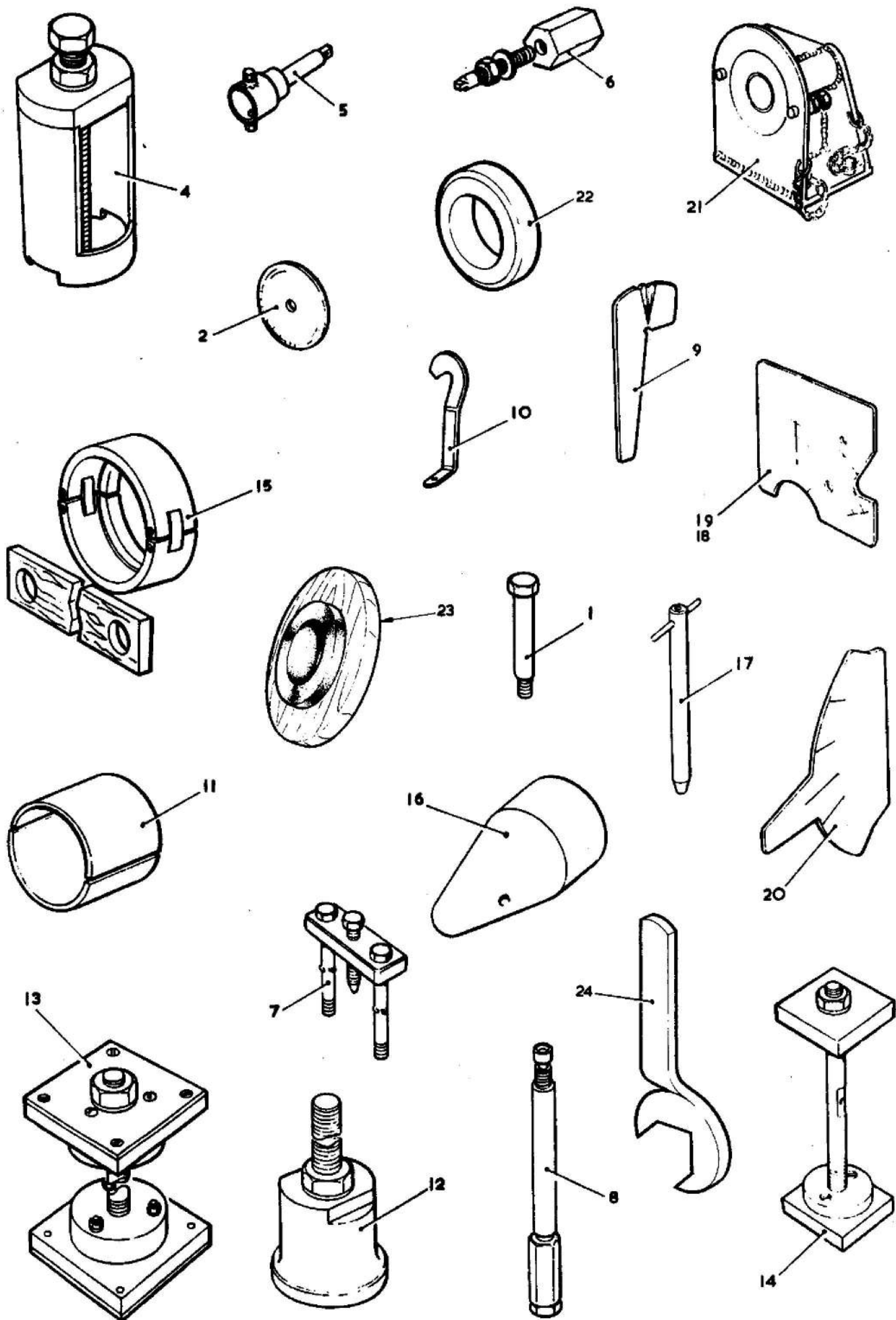


FIG.2 EQUIPMENT GROUND & MAINTENANCE

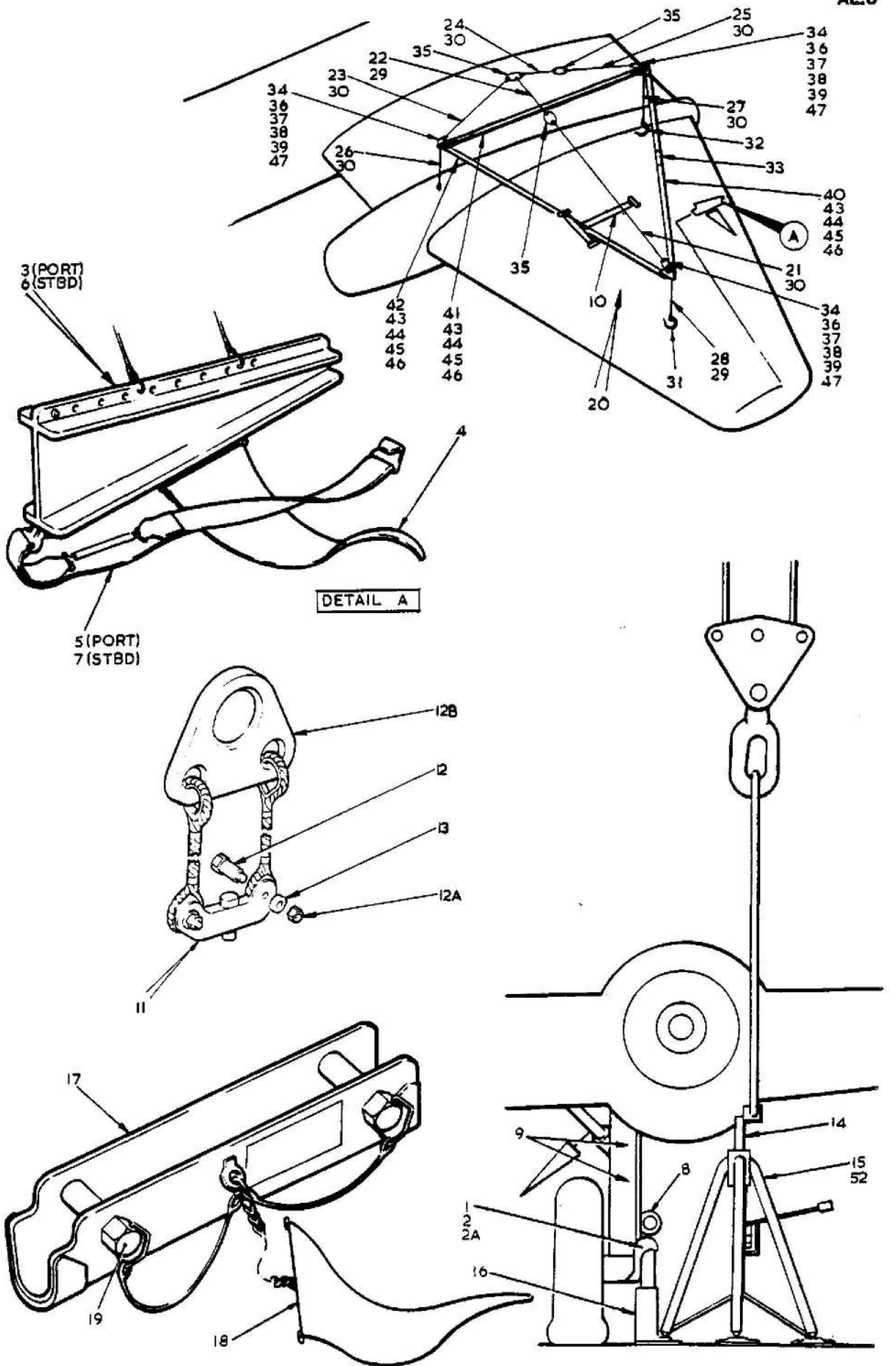


FIG.3 EQUIPMENT GROUND & MAINTENANCE

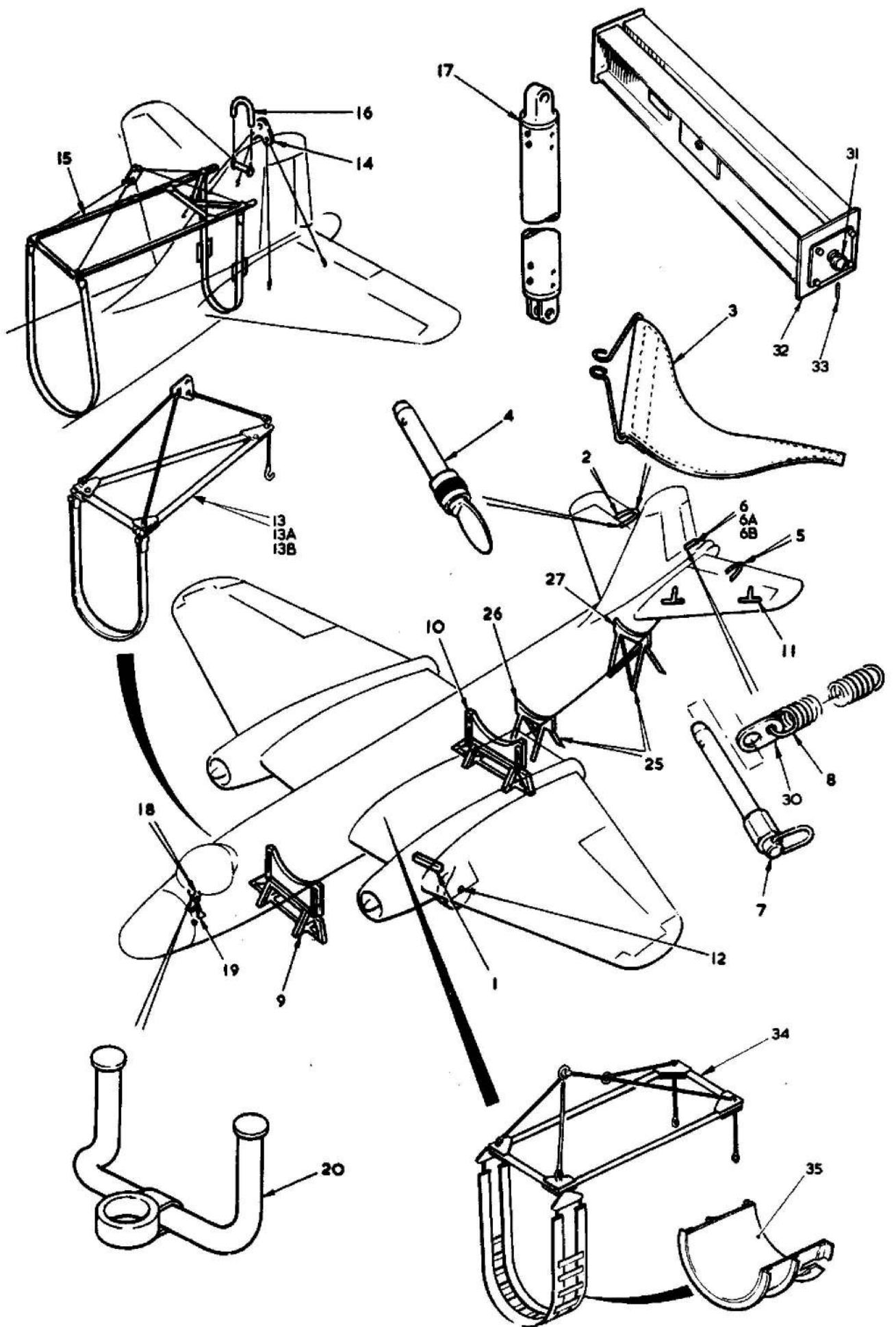


FIG.4 EQUIPMENT GROUND & MAINTENANCE

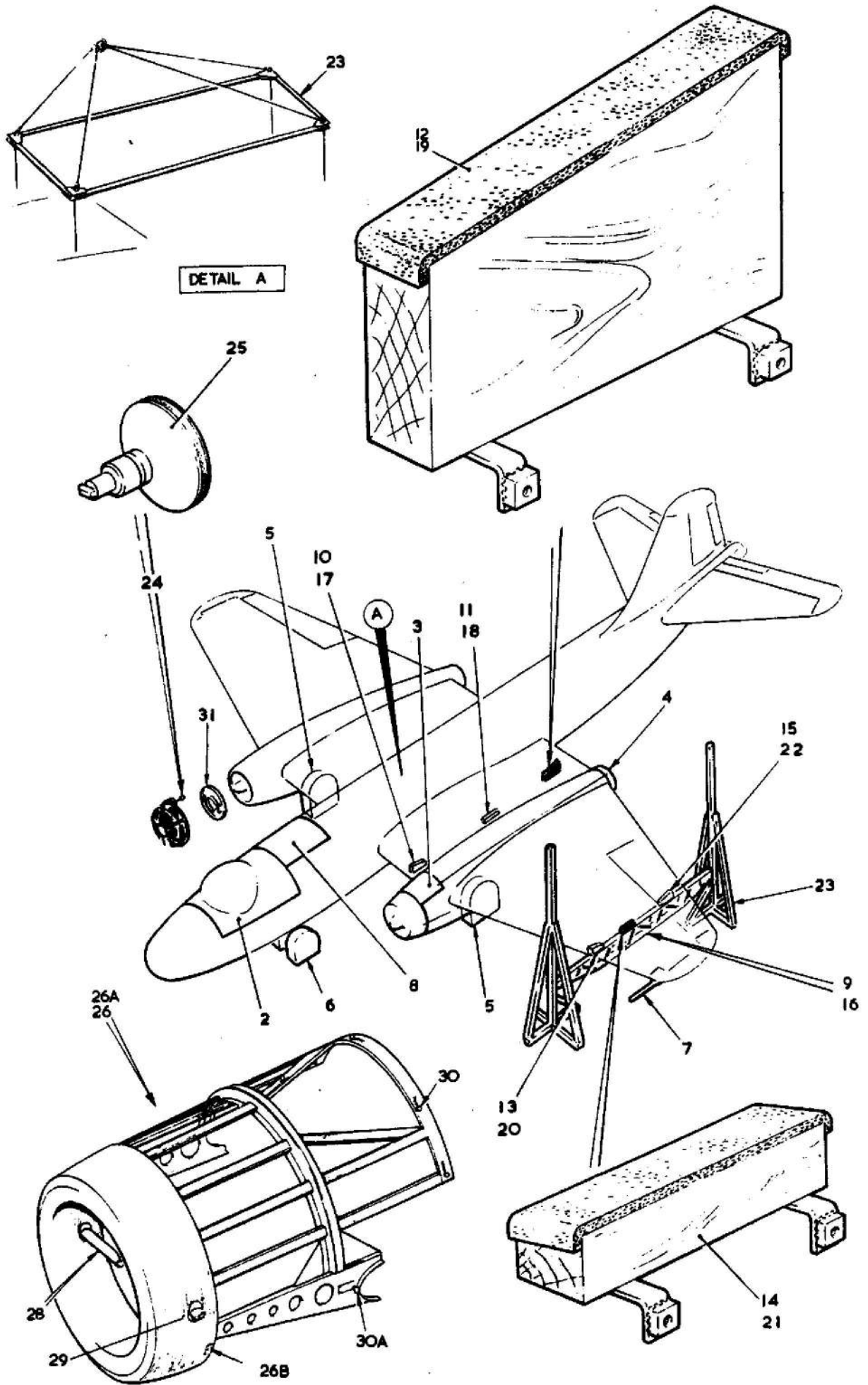


FIG 5 EQUIPMENT GROUND & MAINTENANCE

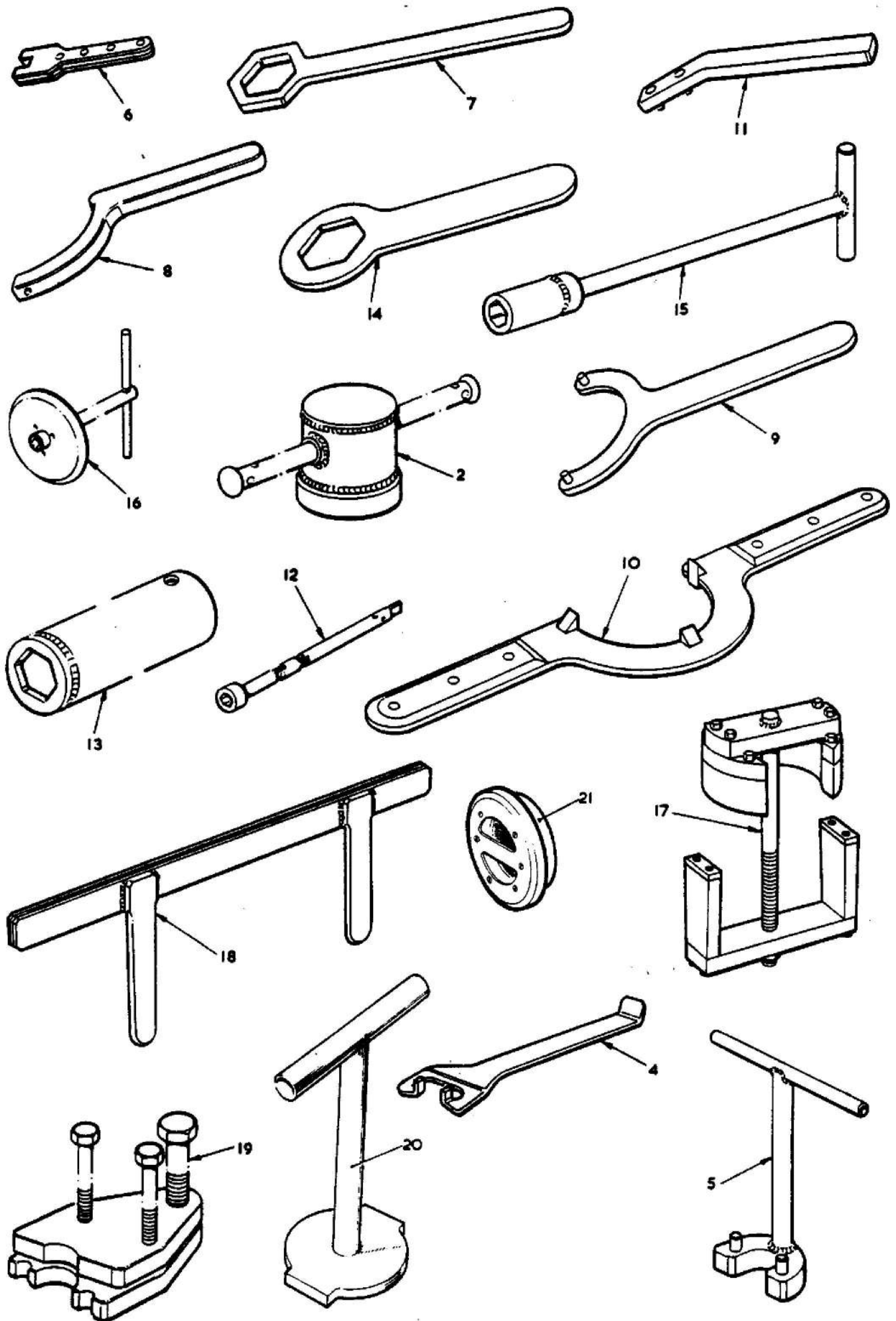


FIG.6 EQUIPMENT_GROUND & MAINTENANCE

This file was downloaded
from the RTFM Library.
Link: www.scottbouch.com/rtfm

Please see site for usage terms,
and more aircraft documents.

