

RADAR
A.R.I. 5816 (GEE Mk. 3), INSTALLATION

Part Number	Description	No. Off	Matl. Spec.	Plate No.
EA4.90.35	A.R.I., 5816, INSTALLATION (PRE-MOD 4854) Spares for:—	—	—	QD1/1
R EA4.90.255	. CONNECTOR, Type B17/300/6, receiver to waveform generator	1	—	QD1/2
R EA3.90.557	. CONNECTOR, Type 3355/2, pressure bulkhead to bomb bay bulkhead	1	—	QD1/3
R EA3.90.559	. CONNECTOR, Type 3355/3, bomb bay bulkhead to fin	1	—	QD1/4
R EA4.90.259	. CONNECTOR, pressure bulkhead to receiver, Type 3746/1	1	—	QD1/5
R EA4.90.5065	. CONNECTOR, No. 3, receiver to indicator (Mod 3933)	1	—	QD1/6
R EA4.90.5067	. CONNECTOR, No. 6, waveform generator to indicator (Mod 3933)	1	—	QD1/7
Type 26	. INDICATOR	1	—	QD1/8
R3673	. RECEIVER	1	—	QD1/9
Type 72	. WAVEFORM, generator	1	—	QD1/10

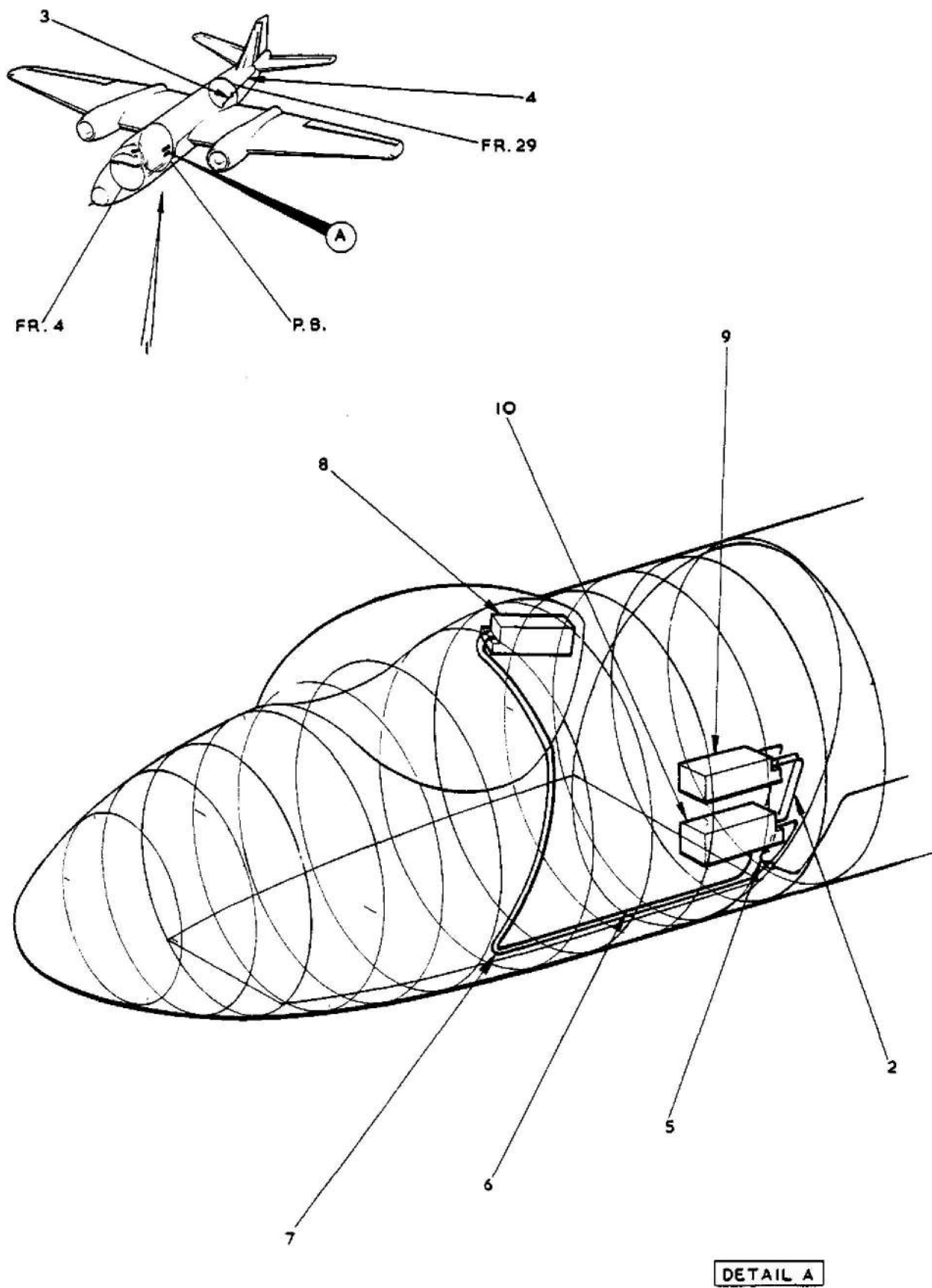


FIG.1 RADAR, A.R.I. 5816 (GEE Mk.3) INSTALLATION

This file was downloaded
from the RTFM Library.

Link: www.scottbouch.com/rtfm

Please see site for usage terms,
and more aircraft documents.

