

RADIO COMPASS, A.R.I. 23023, AD7092D

Ref. No.	Part No.	Description 1 2 3 4 5 6	No. off	Mtrl. Spec.	Cl. of	Plate No.
					Equip M.R. L.M.	
	EA4.82.307	A.R.I. 23023, AD7092D, RADIO COMPASS, INSTALLATION (SRIM.2001—MOD 5181) (SRIM.3508—MOD 3912) Applicable to Aircraft WE188, WT478 and WT480 Spares for:—	—	—	—	RA1/1
	SI178511	AERIAL, LOOP, IN UPPER EQUIPMENT HATCH, INSTALLATION Spares for:—	—	—	—	RA1/2
108/4306005	†	AERIAL, loop, type W25140 Attaching parts for Ref. 108/4306005:—	1	—	A	RA1/3
28M/9434253 28S/1200068	AGS2007B1 A33820	Nut, anchor, 4BA Screw, 4BA	16 16	— —	C C	RA1/4 RA1/5
	—	HATCH, UPPER, EQUIPMENT BAY, INSTALLATION Spares for:—	—	—	—	
	SI178515/6	BRACKET, strut attachment, 18 SWG Attaching parts for SI178515/6:—	1	L72	—	RA1/6
28M/9434253 28S/1200034	AGS2007B1 A31B16	Nut, anchor, 4BA Screw, 4BA	2 2	— —	C C	RA1/7 RA1/8
	SI178515/2	EYE-BOLT, strut attachment Attaching parts for SI178515/2:—	1	S1	—	RA1/9
28M/1011467 28P/9559603	A27ES SP90C6 SI178515/3 SP13E	Nut, 1/4" BSF Pin, split Tube, distance Washer	1 1 1 1	— — L85 —	C C — C	RA1/10 RA1/11 RA1/12 RA1/13
28W/9418921	SI178517 SI178520	FASTENER, assembly, strut anchor MODIFICATION TO UPPER EQUIPMENT BAY HATCH Spares for:—	1 —	— —	— —	RA1/14 RA1/15
	SI178549	PANEL, Di-Electric, assembly Attaching parts for SI178549:—	1	—	—	RA1/16
28D/1007973 28M/9434253	AS1242/2B AGS2007B1	Bolt, 4BA Nut, anchor, 4BA	36 36	— —	C C	RA1/17 RA1/18
	SI178516	STRUT, ASSEMBLY Spares for:—	1	—	—	RA1/19
	SI178515/4	SPIGOT Attaching parts for SI178516:—	1	—	—	RA1/20
28D/1011238 28M/1011467 28P/1040787 28W/9418921	A25/3E A27ES SP90C6 SP13E	Bolt, 1/4" BSF Nut, 1/4" BSF Pin, split Washer	1 1 1 1	— — — —	C C C C	RA1/21 RA1/22 RA1/23 RA1/24
	SI178518	PLATE, serial mounting, 16 SWG Attaching parts for SI178518:—	1	L72	—	RA1/25
28M/4095866 28S/9897545	AGS2007C1 A31C16	Nut, anchor, 2BA Screw, 2BA	10 10	— —	C C	RA1/26 RA1/27

RADIO

RADIO COMPASS, A.R.I. 23023, AD7092D

Ref. No.	Part No.	Description	No. off	Matl. Spec.	Cl. of Equip M.R. L.M.	Plate No.
	SI178510	AERIAL, SENSE, ON STARBOARD BOMB DOOR, INSTALLATION Spares for:—	—	—	—	RA1/28
	SI178556	AERIAL, ASSEMBLY Spares for:—	1	—	—	RA1/29
10B/4693353	†	AERIAL, sense, type 8071 Attaching parts for Ref. 10B/4693353:—	1	—	B	RA1/30
28S/1200039	A31832	Screw, 4BA	9	—	C	RA1/31
28W/9419401	SP108	Washer	9	—	C	RA1/32
5K/9443255	†	GROMMET	1	—	C	RA1/33
	SI178546	PLATE, cover, assembly, on bomb door inner skin Attaching parts for SI178546:—	3	—	—	RA1/34
28D/1007981	AS1248/1/2C	Bolt, 2BA	4	—	C	RA1/35
	SI178509	AMPLIFIER, SENSE AERIAL, BETWEEN FRAMES 25 AND 26, STARBOARD SIDE, INSTALLATION Spares for:—	—	—	—	RA2/1
10U/16964	†	AMPLIFIER, type 1628	1	—	A	RA2/2
10AR/4306026	†	BACKPLATE, type 1332 Attaching parts for Ref. 10AR/4306026:—	1	—	B	RA2/3
28D/1007972	A25/1/2C	Bolt, 2BA	4	—	C	RA2/4
10HB/12704	EA4.81.5199	CABLE, ASSEMBLY, DW, from pressure bulkhead to receiver type 7092D (Mod 3912)	1	—	C	
10HB/12703	EA4.81.5193	CABLE, ASSEMBLY, DS, from pressure bulkhead to receiver type 7092D (Mod 3912)	1	—	C	
10HA/16218	†	CONNECTOR, type 11213, from navigator's indicator type 1630 to terminal block	1	—	C	RA2/5
10HA/16214	†	CONNECTOR, type 11209, from receiver type 7092D to voltage regulator type 1555A	1	—	C	RA2/6
10HA/16202	†	CONNECTOR, type 11197, from loop control unit to pressure bulkhead	1	—	C	RA2/7
10HA/16204	†	CONNECTOR, type 11199, from pressure bulkhead to terminal block at navigator's station	1	—	C	RA2/8
10HA/16206	†	CONNECTOR, type 11201, from loop aerial to receiver type 7092D	1	—	C	RA2/9
10HA/16213	†	CONNECTOR, type 11206, from receiver control unit to pressure bulkhead	1	—	C	RA2/10
10HA/16216	†	CONNECTOR, type 11211, from pressure bulkhead to terminal block at navigator's station	1	—	C	RA2/11
10HA/16217	†	CONNECTOR, type 11212, from pilot's indicator type 1630 to terminal block at navigator's station	1	—	C	RA2/12
10HA/16221	†	CONNECTOR, type 11216, from pressure bulkhead to terminal block at navigator's station	1	—	C	RA2/13
10HA/16237	†	CONNECTOR, type 11254, from pressure bulkhead to loop aerial	1	—	C	RA2/14
10HA/16238	†	CONNECTOR, type 11255, from pressure bulkhead to loop aerial	1	—	C	RA2/15
10HA/16241	†	CONNECTOR, type 11258, from power factor transformer type 1571 to receiver type 7092D	1	—	C	RA2/16
10HA/16242	†	CONNECTOR, type 11259, from power factor transformer type 1571 to 400 cycle distribution box	1	—	C	RA2/17

RADIO

RADIO COMPASS, A.R.I. 23023, AD7092D

Ref. No.	Part No.	Description	1 2 3 4 5 6						No. off	Matl. Spec.	Cl. of Equip M.R. L.M.	Plate No.
10HA/16244	†	. CONNECTOR, type 11261, from pressure bulkhead to voltage regulator type 1555A						1	—	C	RA2/18	
10HA/16208	†	. CONNECTOR, type 11203, from JB. type 1629 to receiver type 7092D						1	—	C	RA2/19	
10HA/16234	†	. CONNECTOR, type 11251, from loop aerial to JB. type 1629						1	—	C	RA2/20	
10HA/16209	†	. CONNECTOR, type 11204, from sense aerial to sense amplifier type 1628						1	—	C	RA2/21	
10HA/16236	†	. CONNECTOR, type 11253, from sense amplifier type 1628 to serial transformer type 1343A						1	—	C	RA2/22	
10HA/16235	†	. CONNECTOR, type 11252, from sense amplifier type 1628 to JB. type 1629						1	—	C	RA2/23	
	—	. EQUIPMENT IN UPPER EQUIPMENT BAY (Ref. Drgs. SI178508 and SI200108) Spares for:—						—	—	—	RA2/24	
10AR/4306028	†	. . BACKPLATE, type 1332						1	—	B	RA2/25	
10D/4680190	†	. . BOX, junction, type 1629						1	—	A	RA2/26	
10D/4306015	†	. . RACK, type 182, electrical equipment						1	—	A	RA2/27	
10D/4306039	†	. . RECEIVER, type AD7092D						1	—	A	RA2/28	
5UC/4379189	†	. . REGULATOR, voltage, type 1555A						1	—	A	RA2/29	
10K/4681960	†	. . TRANSFORMER, serial, type 1343A						1	—	B	RA2/30	
10K/4309264	†	. . TRANSFORMER, power factor, type 1571						1	—	B	RA2/31	
	SI200104	. INDICATOR, RELATIVE BEARING, AT NAVIGATOR'S STATION, INSTALLATION Spares for:—						—	—	—	RA2/32	
	SI200115	. . BRACKET, mounting, indicator and air gauge, 16 SWG Attaching parts for SI200115:—						1	L72	—	RA2/33	
28D/1010658	A25/1B	. . Bolt, 4BA						7	—	C	RA2/34	
28M/1278189	AGS2001B1	. . Nut, 4BA						7	—	C	RA2/35	
28W/9149486	AGS164D	. . Washer						7	—	C	RA2/36	
10Q/4696518	†	. . INDICATOR, bearing, type 1630 Attaching parts for Ref. 10Q/4696518:—						1	—	A	RA2/37	
28S/1200033	A31B24	. . Screw, 4BA						3	—	C	RA2/38	
10Q/4696518	†	. INDICATOR, bearing, type 1630, on pilot's engine instrument panel (NHA. EA4.80.5311)						1	—	A	RA2/39	
	SI200103	. SWITCH, PRESS, TO CALL NAVIGATOR AT PILOT'S PORT WALL, INSTALLATION Spares for:—						—	—	—	RA2/40	
10F/4706662	†	. . SWITCH, type 896						1	—	C	RA2/41	
10L/6401206	†	. VOLUME-CONTROL, on pilot's starter panel (NHA. EA4.81.6893)						1	—	A	RA2/42	

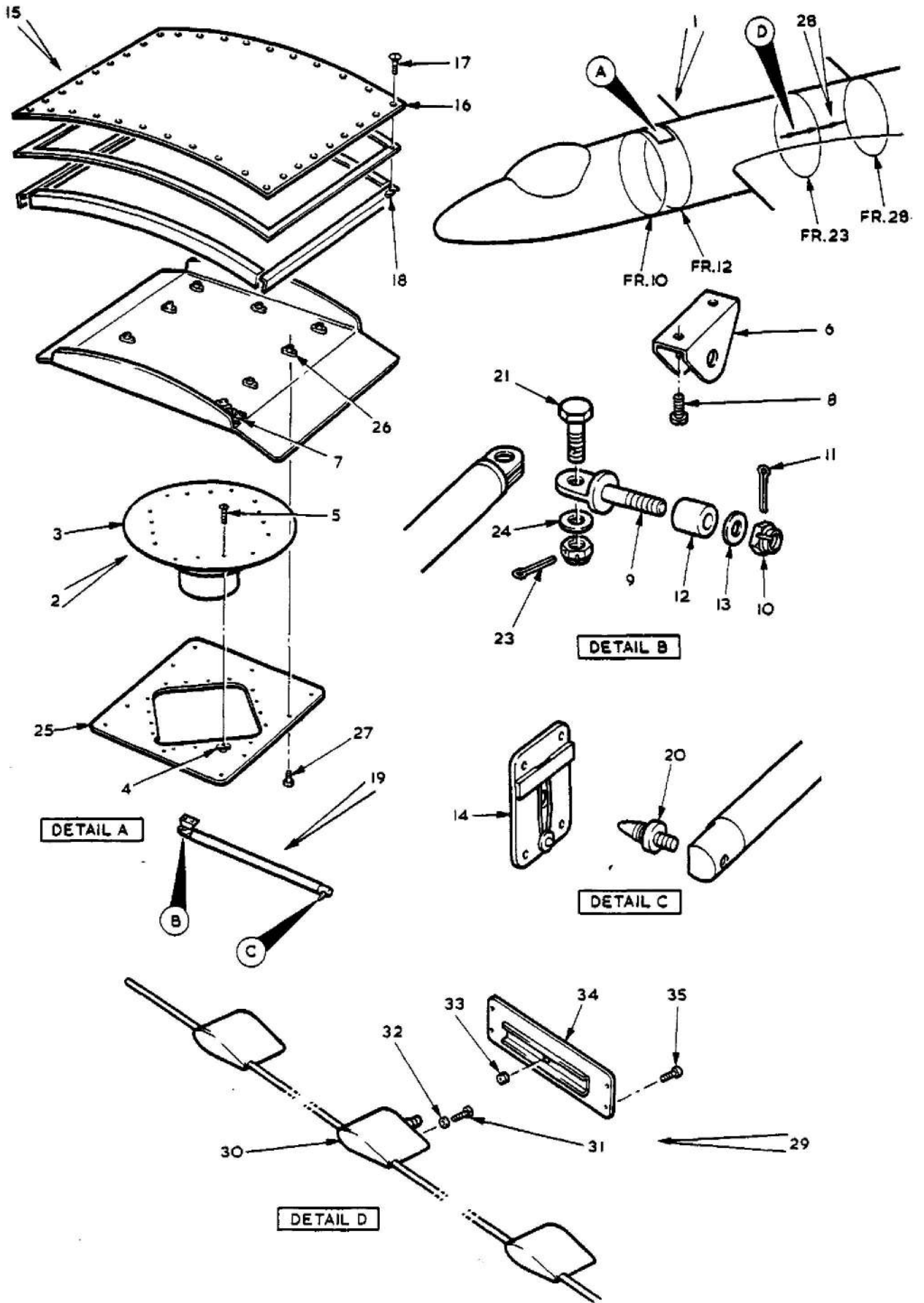


FIG. 1 RADIO, RADIO COMPASS, A.R.I.23023, A.D.7092D INSTALLATION

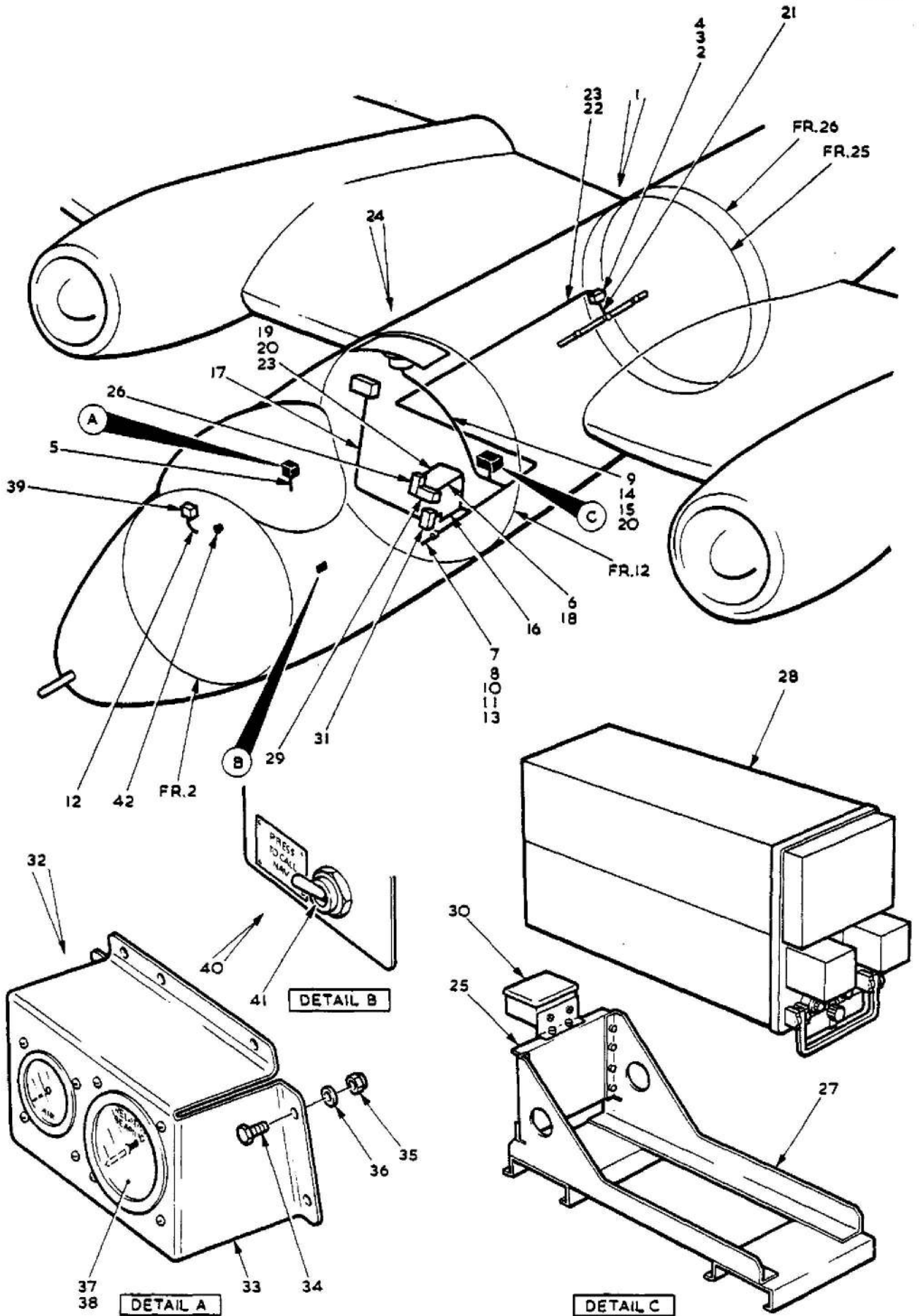


FIG. 2 RADIO, RADIO COMPASS, A.R.I.23023, A.D.7092D INSTALLATION

This file was downloaded
from the RTFM Library.

Link: www.scottbouch.com/rtfm

Please see site for usage terms,
and more aircraft documents.

**TELEBRIEF
CONNECTIONS**

E