

## P.T.R. 175 AND STANDBY UHF INSTALLATION

Part Number	Description	No. Off	Matl. Spec.	Plate No.
R EA4.82.5349	P.T.R. 175 AND STANDBY UHF INSTALLATION (Pre Mod 5437)	—	—	
R EA4.82.379	(Pre Mod 5235) P.T.R. 175 AND STANDBY UHF INSTALLATION (Mod 5235) Royal Navy aircraft only Spares for:—	—	—	
R EA4.82.5351	. P.T.R. 175 AND STANDBY UHF IN FRONT FUSELAGE (Pre Mod 5235)	—	—	RC1/1
R EA4.82.375	. P.T.R. 175 AND STANDBY UHF IN FRONT FUSELAGE (Mod 5235) Royal Navy aircraft only Spares for:—	—	—	
R EA4.81.6047	. . CABLE, ASSEMBLY, N416 (Pre Mod 5235)	1	—	RC1/2
R EA4.81.6335	. . CABLE, ASSEMBLY, N416 (Mod 5235) Royal Navy aircraft	1	—	
R EA4.82.5237	. . CABLE, ASSEMBLY, RT1 (Pre Mod 5235)	1	—	RC1/3
R EA4.82.5239	. . CABLE, ASSEMBLY, RT2 (Pre Mod 5235)	1	—	RC1/4
R EA4.82.299	. . CABLE, ASSEMBLY, RT407 (Pre Mod 5235)	1	—	RC1/5
R EA4.82.5245	. . CABLE, ASSEMBLY, RT408 (Pre Mod 5235)	1	—	RC1/6
R CANNON ELECTRIC K02-21	. . CAP, dust	1	—	RC1/7
R EA4.82.5057	. . CONNECTOR, ASSEMBLY, UHF2	1	—	RC1/8
R EA4.82.5197	. . CONNECTOR, ASSEMBLY, UHF Standby 2 (Pre Mod 5235)	1	—	RC1/9
R EA4.82.5401	. . CONNECTOR, ASSEMBLY, UHF Standby 2 (Mod 5235) Royal Navy aircraft	1	—	
R EA4.82.5199	. . CONNECTOR, ASSEMBLY, UHF Standby 3 (Pre Mod 5235)	1	—	RC1/10
R EA4.82.5403	. . CONNECTOR, ASSEMBLY, UHF Standby 3 (Mod 5235) Royal Navy aircraft	1	—	
R EA4.82.5339	. . CONNECTOR, ASSEMBLY, UHF3	1	—	RC1/11
R EB7.82.5477	. . CONNECTOR, ASSEMBLY, UHF1	1	—	RC1/12
R EC4.82.279	. . CONNECTION, AERIAL, VHF, port (Pre Mod 5235)	1	—	RC1/13
R EC4.82.280	. . CONNECTION, AERIAL, VHF, starboard (Pre Mod 5235) Spares for:—	1	—	RC1/14
R EA4.82.99	. . . BRACKET, connector Attaching parts for EA4.82.99:—	1	—	RC1/15
R 8R3/8" S971	. . . Screw, self-tapping	2	—	RC1/16
R FILMS & EQUIPT. LTD. CAT.No.DC239	. . . COVER, Code RFCE	1	—	RC1/17
R 4R3/16" S971	. . . SCREW, self-tapping	1	—	RC1/18
R 10H/4306905	. . . SOCKET, Type 684	1	—	RC1/19
R EA6.82.69	. . . STRIP, connector	1	—	RC1/20
R EC4.82.563	. . . WASHER, bonding	1	—	RC1/21
R EA6.82.73	. . . WASHER	1	—	RC1/22

## RADIO

## P.T.R. 175 AND STANDBY UHF INSTALLATION

Part Number	Description	No. Off	Matl. Spec.	Plate No.
R EA4.81.6045	. . . COUPLER, PANEL MOUNTING, INSTALLATION Spares for:—	—	—	RC1/23
R EA4.81.6049	. . . BRACKET, angle	1	—	RC1/24
R EA4.82.5183	. . . PANEL, RADIO, ASSEMBLY (See Page RC6) (Pre Mod 5235)	—	—	
R EA4.82.5053	. . . SWITCH, TONE, INSTALLATION Spares for:—	—	—	RC1/25
R EA4.82.295	. . . BRACKET, assembly	1	L72, 18 SWG	RC1/26
R AS10512A7	. . . SWITCH, SP	1	—	RC1/27
R EA4.82.5357	. . . U.H.F. STANDBY TRANSMITTER-RECEIVER, INSTALLATION Spares for:—	—	—	RC1/28
R 10P9700362	. . . FILTER, type D170	1	—	RC1/29
R 10AJ9701497	. . . TRAY, mounting type 1031 Attaching parts for 10AJ9701497:—	1	—	RC1/30
R A25/7B	. . . Bolt, 4BA	4	—	RC1/31
R AGS2001B1	. . . Nut, 4BA	4	—	RC1/32
R SP13B	. . . Washer	4	—	RC1/33
R EG5.82.121	. . . TRAY, mounting	1	—	RC1/34

RADIO  
P.T.R. 175 AND STANDBY UHF INSTALLATION

Part Number	Description 1 2 3 4 5 6	No. Off	Matl. Spec.	Plate No.

## RADIO

## P.T.R. 175 AND STANDBY UHF INSTALLATION

Part Number	Description	No. Off	Mtl. Spec.	Plate No.
				1 2 3 4 5 6
EA4.82.5353	. P.T.R. 175 AND STANDBY UHF IN CENTRE FUSELAGE (Pre Mod 5235)	—	—	RC2/1
EA4.82.377	. P.T.R. 175 AND STANDBY UHF IN CENTRE FUSELAGE (Mod 5235) Royal Navy aircraft	—	—	
EA4.82.5365	. . . AERIAL, VHF INSTALLATION (Installed to Drg. S.K.7239) (Pre Mod 5235)	1	—	RC2/2
EA4.82.5355	. . . AERIAL, UHF STANDBY INSTALLATION Spares for:—	—	—	RC2/3
Type 11789	. . . . AERIAL Attaching parts for Type 11789:—	1	—	RC2/4
AS1242/20E	. . . . Bolt, 1/4" BSF	5	—	RC2/5
AGS2001E1/77	. . . . Nut, 1/4" BSF	5	—	RC2/6
SP13E	. . . . Washer	5	—	RC2/7
HESTON RUBBER				
P416-H-1327	. . . . GROMMET	1	—	RC2/8
AS3360E6C	. . . . LEAD, bonding	2	—	RC2/9
EA4.82.5263	. . . . STRUCTURE, AERIAL SUPPORT Spares for:—	—	—	RC2/10
EA4.82.5343	. . . . BRACKET, aerial mounting Attaching parts for EA4.82.5343:—	1	L72	RC2/11
A25/2C	. . . . Bolt, 2BA	4	—	RC2/12
SP13C	. . . . Washer	4	—	RC2/13
EA4.82.5289	. . . . BRACKET, conduit support	1	L72	RC2/14
EA4.82.5265	. . . . PANEL, access Attaching parts:—	1	L72	RC2/15
AS1242/2C	. . . . Bolt, 2BA	20	—	RC2/16
EA4.82.5277	. . . . TUBE, conduit assembly	1	—	RC2/17
EB6.82.611	. . . AERIAL, UPPER, FRAMES 29-30, INSTALLATION Spares for:—	—	—	RC2/18
CHELTON Type 16-1	. . . . AERIAL, Type 16-1 Attaching parts for TYPE 16-1P1:—	1	—	RC2/19
AS1248/6C	. . . . Bolt, 2BA	6	—	RC2/20
AS1242/3C	. . . . Bolt	1	—	RC2/21
SP13C	. . . . Washer	6	—	RC2/22
EB6.82.1417	. . . . PLATE, mounting	1	—	RC2/23
PRC-1422-2	. . . . SEALANT	QR	—	
EA4.82.5055	. . . CONNECTOR, UHF 1A (Pre Mod 5235)	1	—	RC2/24
EA4.82.389	. . . CONNECTOR, UHF 1A (Mod 5235) Royal Navy aircraft	1	—	
EA4.82.391	. . . CONNECTOR, UHF 1B (Mod 5235) Royal Navy aircraft	1	—	
EA4.82.5059	. . . CONNECTOR, UHF 2A	1	—	RC2/25
EA4.82.5063	. . . CONNECTOR, UHF 3A	1	—	RC2/26
EA4.82.5347	. . . CONNECTOR, Standby 1	1	—	RC2/27
EA4.82.5345	. . . CONNECTOR, VHF 9 (Pre Mod 5235)	1	—	RC2/28
EA4.82.5295	. . . CONNECTOR, UHF 4	1	—	RC2/29
EA4.82.5297	. . . CONNECTOR, UHF 7	1	—	RC2/30
EB7.82.5499	. . . CONNECTOR, UHF 8 (Pre Mod 5437)	1	—	RC2/31

## RADIO

## P.T.R. 175 AND STANDBY UHF INSTALLATION

Part Number	Description	No. Off	Matl. Spec.	Plate No.
EA4.82.5013	. . . MOUNTING, SUPPORT, T/R UNIT Spares for:—	1	—	RC3/1
EA4.82.5019	. . . CHANNEL, support, assembly	2	—	RC3/2
10AJ9428544	. . . MOUNTING, Type MT1477/ARC52 (Pre-Mod 5437) Attaching parts for 10AJ/9428544:—	1	—	RC3/3
A25/1C	. . . Bolt, 2BA	16	—	RC3/4
SP15C	. . . Washer	16	—	RC3/5
EA4.82.5017	. . . PANEL, UHF EQUIPMENT, INSTALLATION Spares for:—	—	—	RC3/6
AS2654	. . . BLOCK, connector Attaching parts for AS2654:—	2	—	RC3/7
A32824	. . . Screw, 4BA	2	—	RC3/8
10AD9326361	. . . BOX, interconnecting Attaching parts for 10AD/9326361:—	1	—	RC3/9
A32816	. . . Screw, 4BA	4	—	RC3/10
EA4.81.6023	. . . CABLE, ASSEMBLY, C401	1	—	RC3/11
EA4.81.6025	. . . CABLE, ASSEMBLY, earth	1	—	RC3/12
AS2655	. . . COVER, block, connector	2	—	RC3/13
10L9433247	. . . CONTROL, receiver, muting (Pre-Mod 5437) Attaching parts for 10L/9433247:—	1	—	RC3/14
A32816	. . . Screw, 4BA	4	—	RC3/15
EA4.82.5031	. . . PANEL, assembly	1	—	RC3/16
EA9.81.2335	. . . STUD, earth	1	—	RC3/17
EEAS28/33EW	. . . WASHER, for earth stud	1	—	RC3/18
R C303-01-2 or	. TRANSMITTER/RECEIVER, Type M6 (Mod 5235) Royal Navy aircraft	1	—	
R 5821-99-6467611	. TRANSMITTER/RECEIVER, Type D403M (Pre and Post-Mod 5235)	1	—	RC1/35
10D9711781	. TRANSMITTER/RECEIVER, P.T.R. 175 (Pre-Mod 5437)	1	—	RC3/19
10D6523788	. TRANSMITTER/RECEIVER, standby, Type M6 (Mod 5281—S.O.O. 1 aircraft, serial No.WJ824)	1	—	RC1/36
10L9455739	. UNIT, control, type 1607/4 (Pre-Mod 5437)	1	—	RC1/37

## RADIO

## PTR 1751 ARI 23300 INSTALLATION

Part Number	Description	No. Off	Matl. Spec.	Plate No.
				1 2 3 4 5 6
R EA4.81.7113	PTR 1751 ARI 23300 INSTALLATION (Mod 5437) RAF Spares for:—	—	—	
R UG349AU	. ADAPTOR (service supply)	1	—	RC8/1
R EA4.82.5429	. ALTERATIONS TO RADIO JUNCTION BOX Spares for:—	—	—	
R DEF STAN 59-30 PT1	. . RESISTOR, 68 ohm, Type MR6	1	—	RC9/1
R EEAS146-20-3-4	. . SLEEVE, 3/4" long	6	—	RC9/2
R HC490	. . TAG, QR	6	—	RC9/3
R DEF STAN 61-12-8	. . WIRE, equipment, Type B 19-0076	QR	—	RC9/4
R EA4.81.7099	. BLOCK, fuse assembly Spares for:—	1	—	RC10/1
R 703-1-00416	. . BLOCK, fuse, 4 way	1	—	RC10/2
R EA4.81.7097	. . LABEL (Fuses 159-162) Attaching parts for EA4.81.7099:—	1	—	RC10/3
R A31B6	. Screw	2	—	RC10/4
R SP47B	. Washer, spring	2	—	RC10/5
R A33-6986-01	. CABLE (service supply)	1	—	RC10/6
R A33-7061-01	. CABLE (service supply)	1	—	RC10/7
R EA4.82.5413	. COVER FOR LOWER IFF AERIAL INSTALLATION Spares for:—	—	—	
R AN77	. . INSULATION, Eccosorb, 2 1/4" thick	QR	—	RC8/2
R EA4.82.5417	. . PLATE, end	1	—	RC8/3
R EA4.82.5419	. . PLATE, end	1	—	RC8/4
R EA4.82.5415	. . SECTION, top hat Attaching parts for EA4.82.5415:—	1	—	RC8/5
R A25/1B	. . Bolt, 4BA	8	—	RC8/6
R AGS2007B1	. . Nut, anchor, 4BA	8	—	RC8/7
R EA4.82.5421	. . Packing	2	—	RC8/8
R SP15B	. . Washer	8	—	RC8/9
R AS10	. FUSE, 10 AMP	1	—	RC10/8
R 102096	. FUSE, dummy	3	—	RC10/9
R A34-3606	. HOUSING, controller, assembly (service supply)	1	—	RC9/5
R EA4.82.5423	. INSULATION, R/F, ON REAR ACCESS HATCH DOOR Spares for:—	—	—	
R EA4.82.5425	. . COVER, fibreglass Attaching parts for EA4.82.5425:—	1	—	RC8/10
R A25/2C	. . Bolt, 2BA	14	—	RC8/11
R AGS2007C1	. . Nut, anchor, 2BA	14	—	RC8/12
R SP124D	. . Washer	14	—	RC8/13
R AN77	. . INSULATION, Eccosorb 2 1/4" thick	QR	—	RC8/14
R EA4.82.5427	. . STRIP, rubber, 0.75" wide	1	—	RC8/15

## RADIO

## PTR 1751 ARI 23300 INSTALLATION

Part Number	Description	No. Off	Matl. Spec.	Plate No.
R EA4.81.7109	. INTRODUCTION OF NEW CABLE ENTRY HOLE IN BULKHEAD FRAME 29 STARBOARD Spares for:—	—	—	
R EA4.81.7103	. . FAIRLEAD Attaching parts for EA4.81.7103:—	1	—	RC8/16
R A25/3B	. . Bolt, 4BA	4	—	RC8/17
R AGS2001B1	. . Nut, stiff, 4BA	4	—	RC8/18
R SP15B	. . Washer	4	—	RC8/19
R EA4.11.107	. . RING, reinforcing	1	—	RC8/20
R EA4.82.5405	. INTRODUCTION OF SWITCHED RESISTOR Spares for:—	—	—	
R EA4.82.5407	. . CABLE assembly, RT 410 Spares for:—	1	—	RC9/6
R FR3838-6020	. . . CABLE, uniminyvin 20	QR	—	
R EC010022	. . . RESISTOR, 68 ohms, Style FX	1	—	
R EEAS146-20-3-4	. . . SLEEVE, $\frac{3}{4}$ " long	2	—	
R EEAS146-16-1-2	. . . SLEEVE, $\frac{1}{2}$ " long	2	—	
R EEAS146EQ1	. . . SLEEVE, 1" long	2	—	
R HC294	. . . TAG, RT	4	—	
R P587-03A3	. MOUNTING, A/V (DARK RED)	2	—	RC8/21
R P587-03A2	. MOUNTING, A/V (MID RED)	2	—	RC8/22
R A34-3603-1	. PLUG, muting, angled	1	—	RC10/10
R EA3.81.7511	. PLATE Attaching parts for EA3.81.7511:—	1	—	RC10/11
R A31B20	. Screw, 4BA	4	—	RC10/12
R WB1114-22	. Spacer	4	—	RC10/13
R A33-7103-50	. STRAP, bonding	2	—	RC10/14
R AA1201-3	. TRANSCEIVER, VHF	1	—	RC10/15
R 630-1-37851-018	. TRANSCEIVER, UHF, PTR 1751 W	1	—	RC10/16
R AA13306-1	. TRAY, assembly	1	—	RC10/17
R 630-1-37854-010	. UNIT, control V-UHF	1	—	RC9/7
R 630-1-37846-001	. UNIT, interface, PV1746B	1	—	RC10/18
R AA1220-1	. UNIT, adaptor	1	—	RC10/19

## PTR 1751W (ARI 23301) INSTALLATION

Part Number	Description	No. Off	Matl. Spec.	Plate No.
EA4.81.7111	PTR 1751W (ARI 23301) INSTALLATION (Mod 5425) RN	-	-	
EA4.81.7099	Spares for:- BLOCK, fuse assembly	1	-	RC10/1
703-1-00416	Spares for:- BLOCK, fuse, 4 way	1	-	RC10/2
EA4.81.7097	LABEL (Fuses 159-162)	1	-	RC10/3
A3186	Attaching parts for EA4.81.7099:- Screw	2	-	RC10/4
SP47B	Washer, spring	2	-	RC10/5
EA4.82.5413	COVER, FOR LOWER IFF AERIAL INSTALLATION	-	-	
AN77	Spares for:- INSULATION, Eccosorb 2 1/4" thick	QR	-	RC8/2
EA4.82.5417	PLATE, end	1	-	RC8/3
EA4.82.5419	PLATE, end	1	-	RC8/4
EA4.82.5415	SECTION, top hat	1	-	RC8/5
A26/1B	Attaching parts for EA4.82.5415:- Bolt, 4BA	8	-	RC8/6
AGS2007B1	Nut, anchor, 4BA	8	-	RC8/7
EA4.82.5421	Packing	2	-	RC8/8
SP15B	Washer	8	-	RC8/9
AS10	FUSE, 10 AMP	1	-	RC10/8
102096	FUSE, dummy	3	-	RC10/9
A34-3606	HOUSING, controller assembly (service supply)	1	-	RC9/5
EA4.82.5423	INSULATION, R/F ON REAR ACCESS HATCH DOOR	-	-	
EA4.82.5425	Spares for:- COVER, fibreglass	1	-	RC8/10
A25/2C	Attaching parts for EA4.82.5425:- Bolt, 2BA	14	-	RC8/11
AGS2007C1	Nut, anchor, 2BA	14	-	RC8/12
SP124D	Washer	14	-	RC8/13
AN77	INSULATION, Eccosorb 2 1/4" thick	QR	-	RC8/14
EA4.82.5427	STRIP, rubber, 0.75" wide	1	-	RC8/15
EA4.81.7109	INTRODUCTION OF NEW CABLE ENTRY HOLE IN BULKHEAD FRAME 29 STARBOARD	-	-	
EA4.81.7103	Spares for:- FAIRLEAD	1	-	RC8/16
A25/3B	Attaching parts for EA4.81.7103:- Bolt, 4BA	4	-	RC8/17
AGS2001B1	Nut, stiff, 4BA	4	-	RC8/18
SP15B	Washer	4	-	RC8/19
EA4.11.107	RING, reinforcing	1	-	RC8/20

AP101B-0404-3A

Page RC.5B

## RADIO

## PTR 1751W (ARI 23301) INSTALLATION

Part Number	Description	No. Off	Mati. Spec.	Plate No.
EA4.82.5409	. INTRODUCTION OF SWITCHED RESISTOR	-	-	
	Spares for:-			
EA4.82.5407	. . CABLE, assembly, RT 410	1	-	RC9/6
	Spares for:-			
FR3838-6020	. . . CABLE, uniminyvin 20	QR	-	
EC010022	. . . RESISTOR, 68 ohms, Style FX	1	-	
EEAS146-20-3-4	. . . SLEEVE, 3/4" long	2	-	
EEAS146-16-1-2	. . . SLEEVE, 1/2" long	2	-	
EEAS146EQI	. . . SLEEVE, 1" long	2	-	
HC294	. . . TAG, RT	4	-	
P587-03A1	. MOUNTING, A/V, (LIGHT RED)	2	-	RC8/21
P587-03A2	. MOUNTING, A/V, (MID RED)	2	-	RC8/22
A34-3603-1	. PLUG, muting, angled	1	-	RC10/10
EA3.81.7511	. PLATE	1	-	RC10/11
	Attaching parts for EA3.81.7511:-			
A31B20	. Screw, 4BA	4	-	RC10/12
WB1114-22	. Spacer	4	-	RC10/13
A33-7103-50	. STRAP, bonding	2	-	RC10/14
630-1-37851-018	. TRANSCEIVER, UHF, PTR 1751W	1	-	RC10/16
PV1748B	. TRAY, assembly	1	-	RC10/17
630-1-37854-010	. UNIT, control, V-UHF	1	-	
630-1-37846-001	. UNIT, interface, PV1746B	1	-	RC10/18

RADIO  
RADIO PANEL

Part Number	Description	No. Off	Mtl. Spec.	Plate No.
EA4.82.5183	PANEL, RADIO, ASSEMBLY (MOD 4092-S.O.O.) (Pre Mod 5235)	1	-	RC5/1
5CZ1053794	Spares for:- BLOCK, terminal, type B	5	-	RC5/2
AGS2001A1	Attaching parts for Ref.5CZ/1053794:- Nut, 6BA	2	-	RC5/3
A33A20	Screw, 6BA	2	-	RC5/4
CZ50207	BLOCK, terminal, 5-way	1	-	RC5/5
Z28426	Attaching parts for CZ50207:- Pillar, fixing	2	-	RC5/6
5E9467424	CABLE, Uninyvin 20	QR	-	
5E1062269	CABLE, Uninyvinmetsheath 20	QR	-	
Z56810	CAP, protective	1	-	RC5/7
CZ69736	CLAMP, cable	1	-	
CZ26805	COVER, terminal block	1	-	RC5/8
Z60668	GASKET, outlet	1	-	
Z50210	LINK, 2-way	1	-	RC5/9
Z51526	OUTLET, straight	1	-	
EA4.82.5181	PANEL, ASSEMBLY	1	-	RC5/10
EA4.82.5367	Spares for:- BRACKET, test socket	1	-	
EA4.82.5179	PANEL	1	L72	
508-2-07709-200	RING, sealing	1	-	
Z51342	RING, thrust	1	-	
EEAS146/12	SLEEVE	QR	-	
EEAS146/20	SLEEVE	QR	-	
CZ56745	SOCKET, fixed, Mk.4	1	-	
HV3254	STRAP	QR	-	RC5/11
NT3255	STUD	QR	-	RC5/12
HC490	TAG	2	-	RC5/13
EA4.82.5171	UNIT, RESISTOR, ASSEMBLY	1	-	RC5/14
CZ50207	Spares for:- BLOCK, terminal, 5-way	1	-	RC5/15
A25/8B	Attaching parts for CZ50207:- Bolt, 4BA	2	-	FC5/16
AGS2001B1	Nut, 4BA	2	-	RC5/17
SP13B	Washer	2	-	RC5/18
5E9467180	CABLE, Unisersil 20	QR	-	RC5/19
BRITISH ELECTRIC RESISTOR CO.				
CL1B	CLIP, resistor mounting	2	-	RC5/20
EB3.82.153	COVER	1	-	RC5/21
EB3.82.155	PLATE, resistor base, assembly	1	-	RC5/22
BRITISH ELECTRIC RESISTOR CO.				
RWV 1-L	RESISTOR, type VWS/K3, 0-68 ohms	1	-	RC5/23
10W1070353	RESISTOR, 30W, 2 ohms (Mod 4921-S.O.O.)	1	-	
EEAS146/12	SLEEVE	4	-	RC5/24
EEAS146/20	SLEEVE	2	-	RC5/25
HC292	TAB	2	-	RC5/26
HC490	TAB	2	-	RC5/27
A25/3C	Attaching parts for EA4.82.5171:- Bolt, 2BA	2	-	RC5/28

RADIO  
I.L.S. INSTALLATION

Part Number	Description	No. Off						Mati. Spec.	Plate No.
		1	2	3	4	5	6		
EA4.82.265	I.L.S. A.R.J. 18011, INSTALLATION (MOD 1443)								RC6/1
	Spares for:—								
WTC125808	. AERIAL, glide path, Type 238					1			RC6/2
	Attaching parts for WTC125808:—								
A25/2C	. Bolt, 2BA					10			RC6/3
EEAS28/3FU	. Washer					10			RC6/4
Type 239	. AERIAL, localiser					1			RC6/6
	Attaching parts for Type 239:—								
A25/2C	. Bolt, 2BA					18			RC6/7
EEAS28/3FU	. Washer					18			RC6/8
WTC125784	. AERIAL, marker, Type 237					1			RC6/5
AS2635	. BLOCK, terminal, 5-way					1			RC6/9
	Attaching parts for AS2635:—								
AGS2001B1	. Nut, 4BA					2			RC6/10
A31B20	. Screw, 4BA					2			RC6/11
SP13B	. Washer					2			RC6/12
EA4.82.283	. BOX ATTENUATOR, INSTALLATION								RC7/1
	Spares for:—								
EB6.82.161	. . . BOX ATTENUATOR					1			RC7/2
	Spares for:—								
EB6.82.165	. . . . BASE					1			RC7/3
EB6.82.169	. . . . CASE					1			RC7/4
	Attaching parts for EB6.82.169:—								
A27BT	. . . . Nut, 4BA					4			RC7/5
EB6.82.163	. . . . Piece, distance					4			RC7/6
A32B36	. . . . Screw, 4BA					4			RC7/7
EB6.82.167	. . . . Seal, x 1/16" thick					1	Linatex		RC7/8
SP26B	. . . . Washer					4			RC7/9
EB6.82.171	. . . . INSULATOR					1			RC7/10
	Attaching parts for EB6.82.171:—								
A27BT	. . . . Nut, 4BA					2			RC7/11
A32B8	. . . . Screw, 4BA					2			RC7/12
508-1-40063-320	. . . . PLUG, 6-way					1			RC7/13
ERG-58-TCL220	. . . . RESISTOR, 220 ohms					3			RC7/14
ERG-58-TCL10000	. . . . RESISTOR, 10,000 ohms					1			RC7/15
508-1-40042-320	. . . . SOCKET, 4-way					1			RC7/16
TYPE 2-1/036 BLACK	. . . . WIRE, equipment, Type 2, 1/-036, black					QR			RC7/17
PN 1213-24	. . . . WIRE, equipment, Type 2, 1/-036, blue					QR			RC7/18
PN 1213-23	. . . . WIRE, equipment, Type 2, 1/-036, red					QR			RC7/19
	Attaching parts for EB6.82.161:—								
AGS2001B1	. . . . Nut, 4BA					4			RC7/20
EA6.10.2181	. . . . Packing, cork					4			RC7/21
EA3.81.1165	. . . . Stud, mounting					4			RC7/22
SP13B	. . . . Washer					4			RC7/23
154LU71T	. . . . BOX, junction, Type 157					1			RC6/13
EA4.82.269	. . . . BOX, JUNCTION, TYPE 164, INSTALLATION								RC6/14
	Spares for:—								
Type 164	. . . . BOX, junction					1			RC6/15
	Attaching parts for Type 164:—								
A31B12	. . . . Screw, 4BA					4			RC6/16

RADIO  
I.L.S. INSTALLATION

Part Number	1 2 3 4 5 6	Description	No. Off	Matl. Spec.	Plate No.
EA4.82.5039	.	CABLE, ASSEMBLY, R.T.1, from radio junction box to pressure bulkhead (Mod 3512)	1	-	
EA4.82.5237	.	CABLE, ASSEMBLY, R.T.1, from radio junction box to pressure bulkhead (Mod 4092-S.O.O.)	1	-	
EA4.82.5301	.	CABLE, ASSEMBLY, R.T.1A, from attenuator box to terminal block (Mod 4092-S.O.O.)	1	-	
EB6.82.191	.	CABLE, ASSEMBLY, R.T.2, from pressure bulkhead to V.H.F. relay panel, and I.L.S., J.B.157	1	-	
EA4.82.5043	.	CABLE, ASSEMBLY, R.T.401, from radio junction box to attenuator box (Mod 3512)	1	-	
R R WT41930	.	CONNECTOR, Type 3793, at junction box 164	1	-	RC6/32
RESWT41622ITEM5	.	CONNECTOR, Type 3794, at junction box 164, fitted when Zero Reader is not used	1	-	RC6/33
EA4.82.505	.	CONNECTOR, Type B7/20A/R1, from junction box 157 to pressure bulkhead	1	-	RC6/21
R 10HB/38	.	CONNECTOR, Type B7/30A/R2, from pressure bulkhead to control unit 703	1	-	RC6/22
EA4.82.509	.	CONNECTOR, Type B11/20A/R2, from junction box 157 to pressure bulkhead	1	-	RC6/23
EA4.82.511	.	CONNECTOR, Type B11/30B/R7, from pressure bulkhead to junction box 164	1	-	RC6/24
EA4.82.515	.	CONNECTOR, Type B11/30B/R8, from junction box 164 to pilot's indicator	1	-	RC6/26
EA4.82.517	.	CONNECTOR, Type B19/50E/R1, from junction box 157 to terminal block	1	-	RC6/27
EA4.82.513	.	CONNECTOR, Type B21/50F/R1, from junction box 164 to marker lamp	1	-	RC6/25
EA4.82.541	.	CONNECTOR, Type D243/20D/R2, from junction box 157 to pressure bulkhead	1	-	RC6/28

RADIO  
I.L.S. INSTALLATION

Part Number	Description	No. Off	Mati. Spec.	Plate No.
10HB54	. CONNECTOR, Type D243/20D/R3, from pressure bulkhead to control unit 703	1	—	RC6/29
EA4.82.545	. CONNECTOR, Type D243/30B/R6, from junction box 157 to pressure bulkhead	1	—	RC6/30
10HB56	. CONNECTOR, Type D243/30B/R7, from pressure bulkhead to control unit 703	1	—	RC6/31
EA4.82.525	. CONNECTOR, Type D267/30A/R8, from fuselage to engine break, port side	1	—	RC6/37
EA4.82.529	. CONNECTOR, Type D267/30A/R9, from localiser aerial to engine break, port side	1	—	RC6/39
EA4.82.533	. CONNECTOR, Type D267/30A/R10, from fuselage to engine break, starboard side	1	—	RC6/40
EA4.82.537	. CONNECTOR, Type D267/30A/R11, from glide path aerial to engine break, starboard side	1	—	RC6/42
EA4.82.523	. CONNECTOR, Type D267/30B/R16, from fuselage/wing to localiser marker receiver	1	—	RC6/34
EA4.82.531	. CONNECTOR, Type D267/30B/R17, from fuselage/wing to glide path receiver	1	—	RC6/35
EA4.82.539	. CONNECTOR, Type D267/30B/R18, from marker aerial to localiser marker receiver	1	—	RC6/36
EA4.82.527	. CONNECTOR, Type D273/30A/R1, between engine breaks, port side	1	—	RC6/39
EA4.82.535	. CONNECTOR, Type D273/30A/R2, between engine breaks, starboard side	1	—	RC6/41
AS2603	. COVER	1	—	RC6/45
EA4.82.289	. ENGINE BREAK, INNER, PORT, INSTALLATION Spares for:—	—	—	RC6/46
EA9.82.171	. BRACKET, assembly Attaching parts for EA9.82.171:—	1	—	RC6/50
A25/1B	. Bolt, 4BA	4	—	RC6/51
AGS2001B1	. Nut, 4BA	4	—	RC6/52
SP15B	. Washer	4	—	RC6/53
10H0540103	. PLUG, Type 757	1	—	RC6/54
EA4.82.290	. ENGINE BREAK, INNER, STARBOARD, INSTALLATION Spares for this installation are identical to installation EA4.82.289	—	—	RC6/48
EA4.82.287	. ENGINE BREAK, OUTER, PORT, INSTALLATION Spares for this installation are identical to installation EA4.82.289	—	—	RC6/47
EA4.82.288	. ENGINE BREAK, OUTER, STARBOARD, INSTALLATION Spares for this installation are identical to installation EA4.82.289	—	—	RC6/49
AS2674	. FERRULE, 19 amp	8	—	
AS2666	. LINK, 19 amp	1	—	
Type 933	. MOUNTING, Type 933 Attaching parts for Type 933:—	1	—	RC6/55
A25/8E	. Bolt, 1/4" BSF	4	—	RC6/43
SP13E	. Washer	4	—	RC6/44

RADIO  
I.L.S. INSTALLATION

Part Number	Description	No. Off	Matl. Spec.	Plate No.
R Type R1964	. RECEIVER (Alternative fit to item below when 40 channel pairing required)	1	—	
R 10AD4042150	. RECEIVER, Type R1964 (Localiser marker)	1	—	RC6/59
R Type R1965	. RECEIVER (Alternative fit to item below when 40 channel pairing required)	1	—	
R 10D4042151	. RECEIVER, Type R1965 (Glide path)	1	—	RC6/58
5UC4379142	. REGULATOR, voltage, Type VR60	1	—	RC6/60
AS1246/16C	Attaching parts for Ref.5UC/4379142:— . Bolt, 2BA	4	—	RC6/61
AS2606	. TERMINAL, double tier, 19 amp, 4-way	4	—	RC6/62
EA4.82.285	. UNIT, CONTROL, INSTALLATION Spares for:—	—	—	RC7/24
EB6.82.155	. BRACKET, assembly Attaching parts for EB6.82.155:—	1	—	RC7/25
A32C16	. Screw, 2BA	6	—	RC7/26
SP13C	. Washer	6	—	RC7/27
10L4427677	. UNIT, control, Type 705	1	—	RC7/28

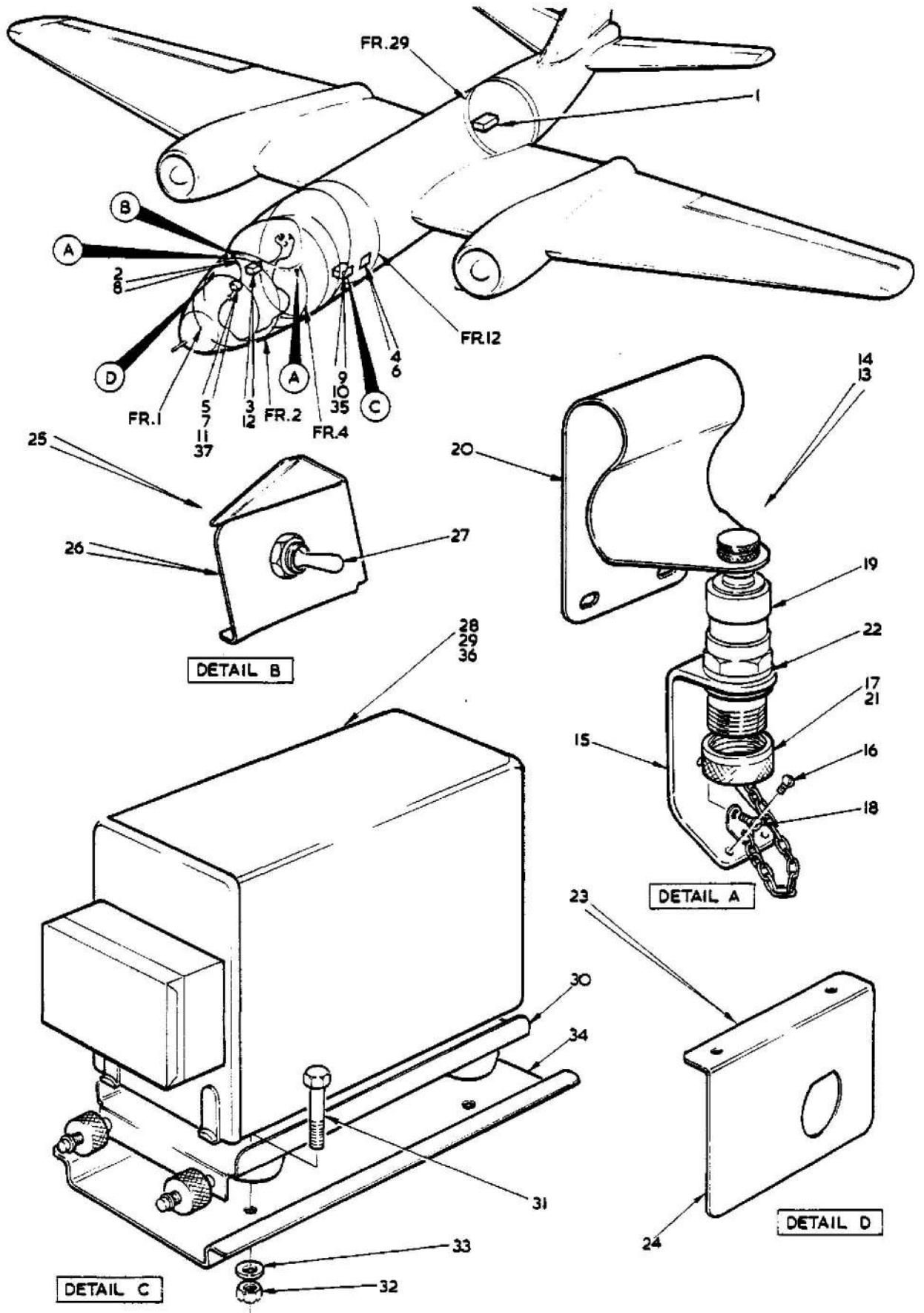


FIG 1 RADIO INSTALLATION



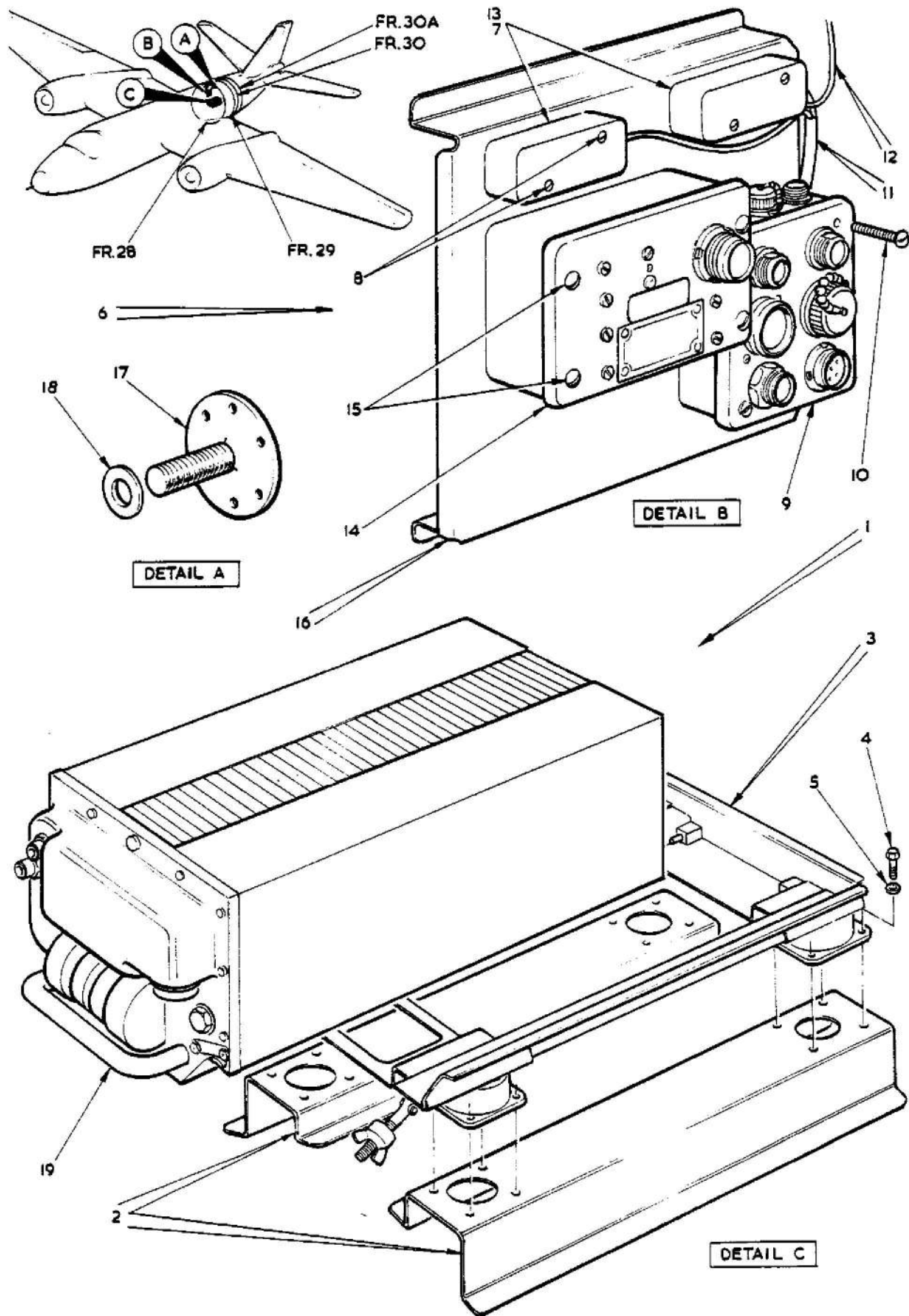


FIG 3 RADIO INSTALLATION

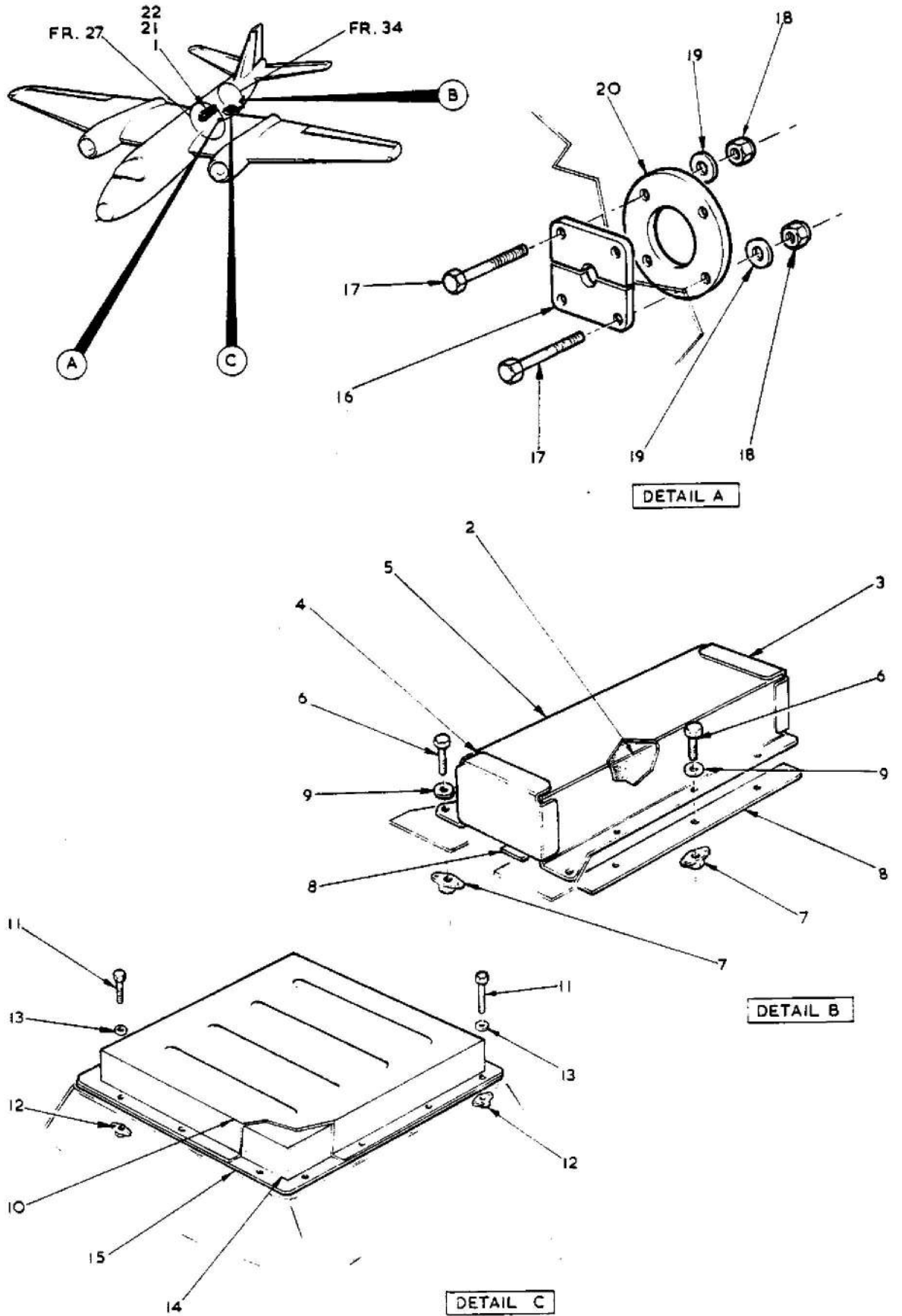


FIG.8 RADIO INSTALLATION

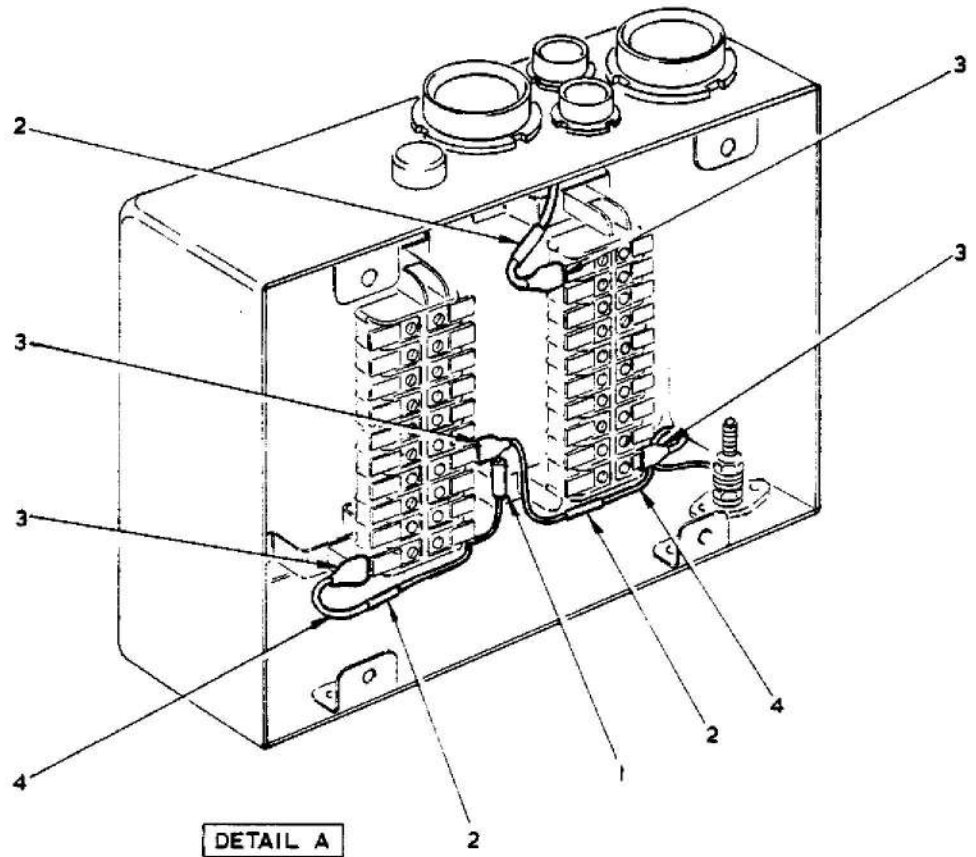
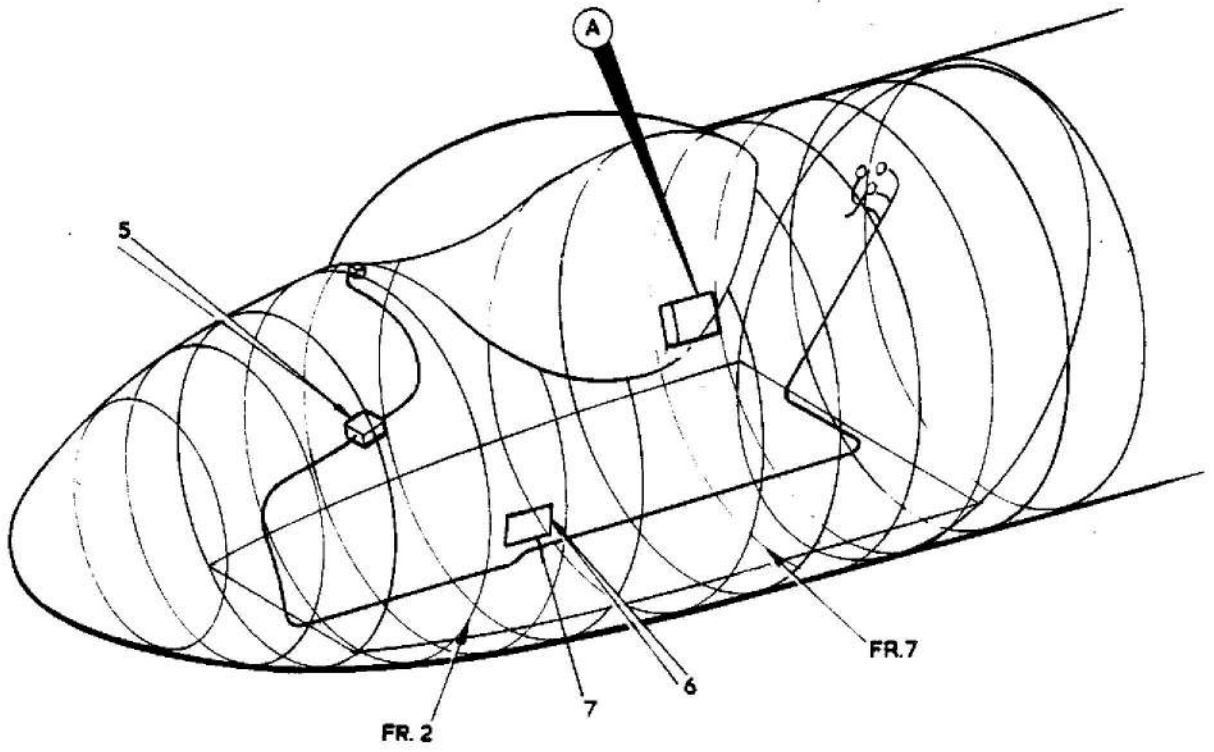


FIG 9 RADIO INSTALLATION

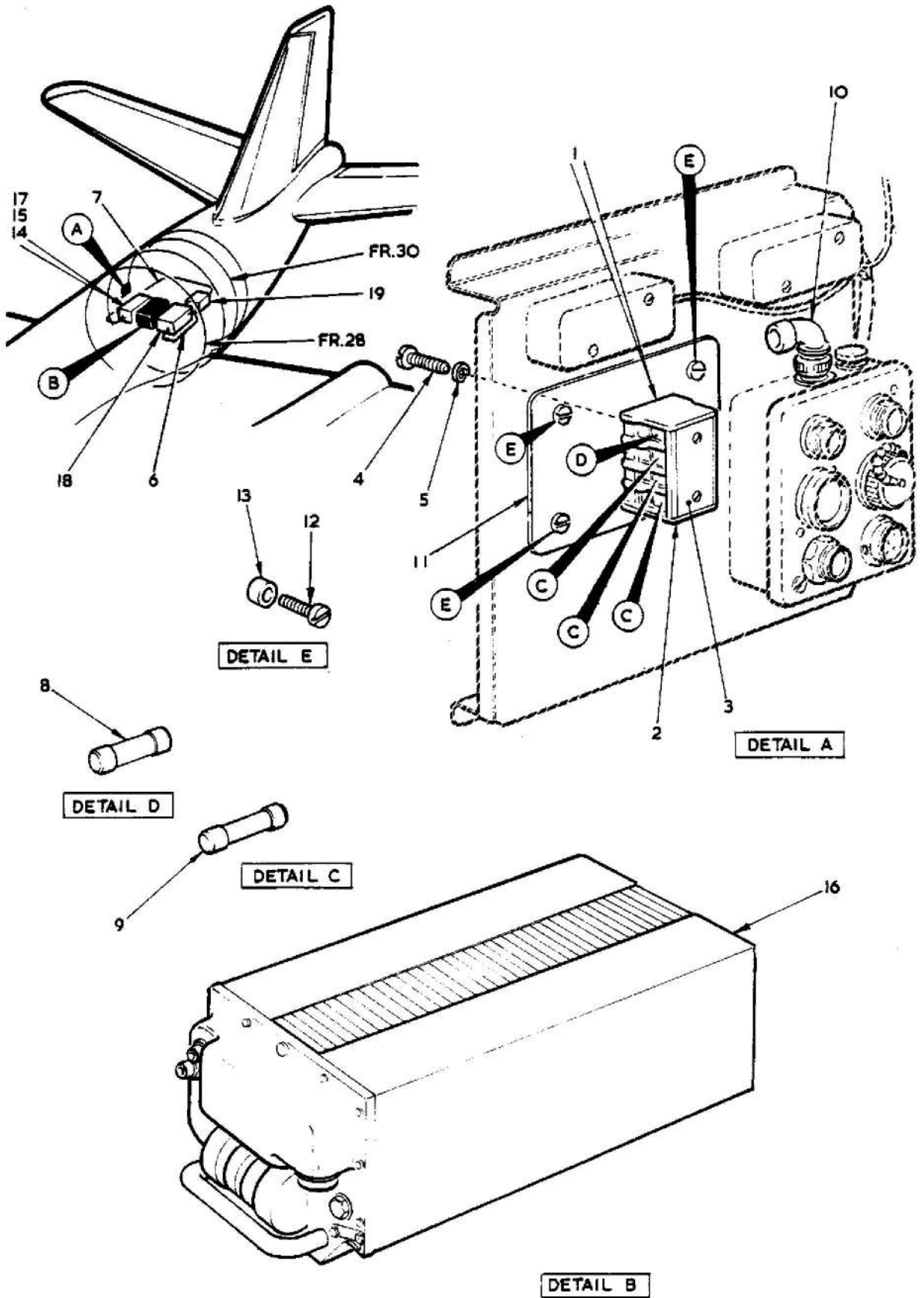


FIG 10 RADIO INSTALLATION



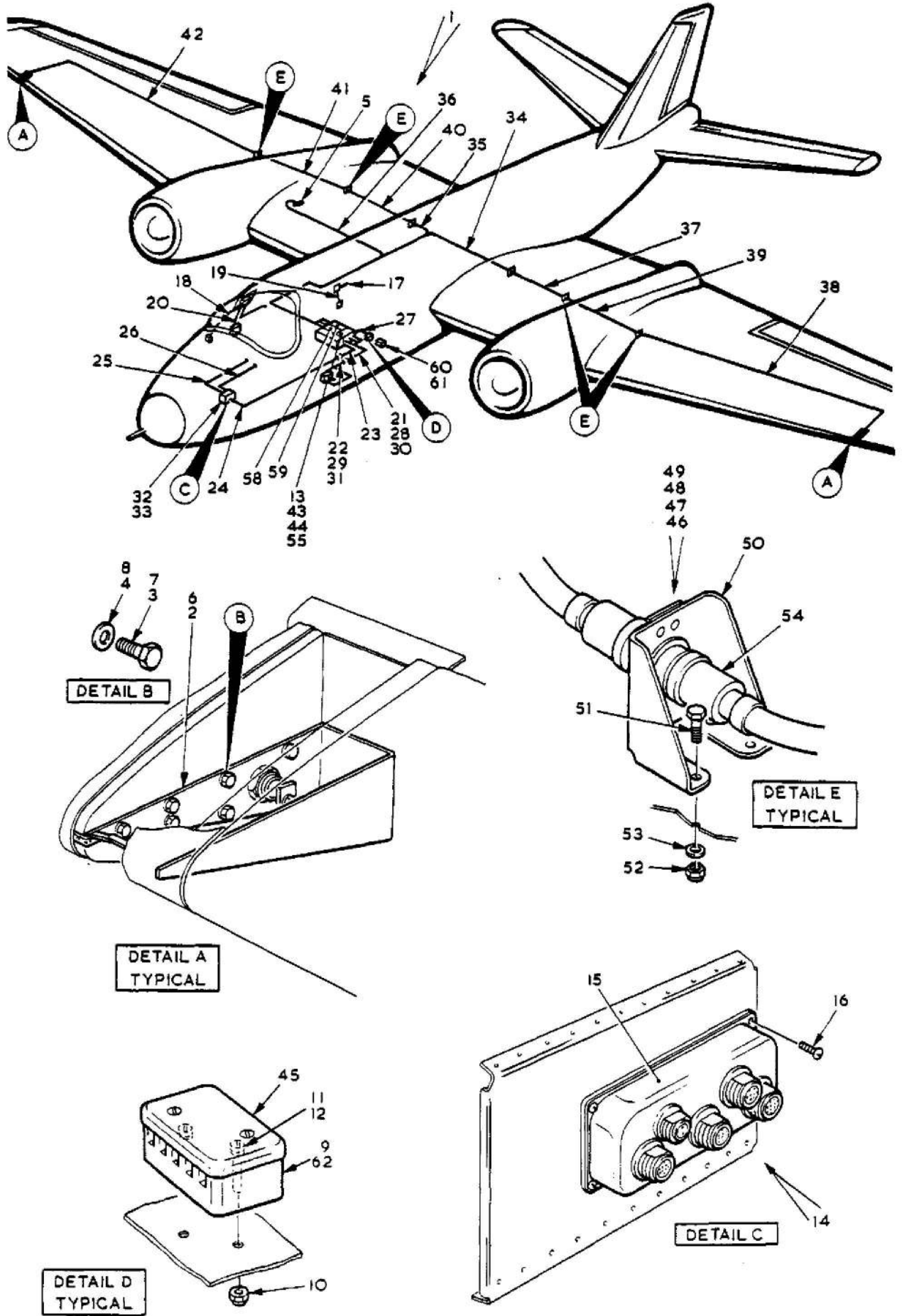


FIG. 6 RADIO, I.L.S. INSTALLATION

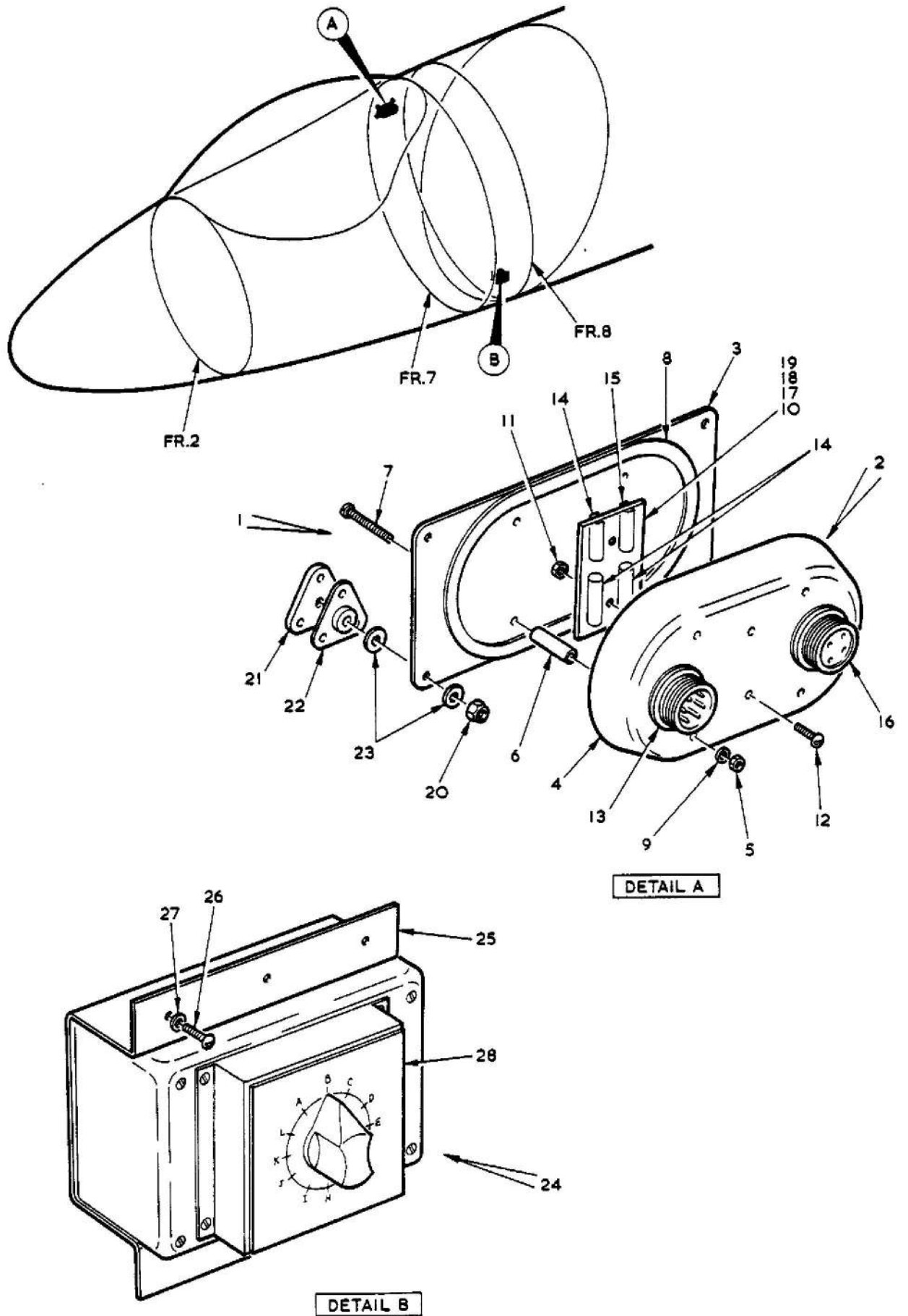


FIG. 7 RADIO, I.L.S. INSTALLATION

This file was downloaded  
from the RTFM Library.  
Link: [www.scottbouch.com/rtfm](http://www.scottbouch.com/rtfm)  
Please see site for usage terms,  
and more aircraft documents.

