

TAIL UNIT
RUDDER C/W TAB

Part Number	Description	No. Off	Mtl. Spec.	Plate No.
				1 2 3 4 5 6
EA3.33.1	RUDDER, C/W TAB, ASSEMBLY (PRE-MOD 4478)	1	-	TA1/1
EA3.00.1069	RUDDER, C/W TAB, ASSEMBLY (MOD 4478) (PRE-MOD 5043) (SPARES CONDITIONED)	1	-	
EA3.00.5397	RUDDER, C/W TAB, ASSEMBLY (MOD 5043) (SPARES CONDITIONED) Spares for:-	1	-	
EA1.33.247	. BOLT, special trim tab actuator connecting	1	S11	TA1/2
EA1.33.287	. BOLT, special nose rib 2 and trailing edge rib 2	2	S95	TA2/1
EA1.33.283	. BRACKET, TOP HINGE MOUNTING, ASSEMBLY Spares for:-	1	-	TA2/2
R EA1.33.71	. BRACKET, HINGE, RUDDER, ASSEMBLY Spares for:-	1	-	TA2/3
HOFFMANN				
R CBA3	. . . BALLRACE, self aligning	1	-	TA2/4
EEAS3J	. . . HOUSING, ballrace	1	-	TA2/5
EEAS4/18J	. . . WASHER, packing	2	-	TA2/6
EA1.33.293	. . BRACKET, hinge, top mounting	1	DTD683	TA2/7
EA3.33.215	. . CUP, sealing	2	Rubber	TA2/8
A27GS	. . NUT, 5/16" BSF	1	-	TA2/9
EA1.33.281	. . PIN, special, hinge	1	S65	TA2/10
SP90C8	. . PIN, split	1	-	TA2/11
EA3.33.213	. . PLATE, locking	1	DTD124A	TA2/12
4104-8-5/16	. . SCREW, self tapping, type Z	1	-	TA2/13
SP15J	. . WASHER Attaching parts for EA1.33.283:-	1	-	TA2/14
A25/6E	. Bolt, 1/4" BSF	2	-	TA2/15
EA1.33.297	. COWL, rubber, tab control rod Attaching parts for EA1.22.297:-	1	-	TA2/16
AS1248/1/2B	. Bolt, 48A	9	-	TA2/17
EA1.33.189	. HINGE, BOTTOM TAB, RIB 1, ASSEMBLY Spares for:-	1	-	TA2/18
SKEFKO				
CBA2	. . BALLRACE	1	-	TA2/19
AGS2030/24	. . CIRCLIP, internal, 29/32" dia Attaching parts for EA1.33.189:-	1	-	TA2/20
A25/3C	. Bolt, 2BA	3	-	TA2/22
EA1.31.63	. Bolt, ballrace attachment	1	-	TA2/23
SP15C	. Washer	3	-	TA2/24
EA3.33.7	. NOSE, RUDDER AND PIVOT POINT, ASSEMBLY Spares for:-	1	-	TA1/3
EA3.33.247	. . ARM, mass balance Attaching parts for EA3.33.247:-	1	-	TA1/4
A25/3C	. . Bolt, 2BA	8	-	TA1/5
A27CP	. . Nut, 2BA	8	-	TA1/6
SP13C	. . Washer	8	-	TA1/7
RANSOME & MARLES				
CA1 ¹³ /16"	. . BALLRACE, main, lower, tab operating gear	1	-	TA1/8
EA1.33.301	. . BOLT, special, rudder trim tab actuator	1	S11	TA1/9

TAIL UNIT
RUDDER C/W TAB

Part Number	Description	No. Off	Matl. Spec.	Plate No.
EA1.33.125	BRACKET, BOTTOM, RUDDER HINGE, ASSEMBLY Spares for:—	1	—	TA1/10
EA3.33.217	SHROUD, sealing	1	—	TA1/11
EA1.33.815	SPIGOT	1	S11	TA1/12
	Attaching parts for EA1.33.125:—			
A25/2C	Bolt, 2BA	10	—	TA1/13
A25/3C	Bolt, 2BA	2	—	TA1/14
AGS2001C1/66	Nut, 2BA	12	—	TA1/15
SP13C	Washer	12	—	TA1/16
EA1.33.215	GEAR, TAB OPERATING, ASSEMBLY Spares for:—	1	—	TA1/17
EA1.33.231	BRACKET, lever stop Attaching parts for EA1.33.231:—	1	—	TA1/19
A25/3C	Bolt, 2BA	2	—	TA1/20
AGS2002C1	Nut, 2BA	1	—	TA1/21
EA3.00.259	GEAR, RUDDER TAB, ASSEMBLY Spares for:—	1	—	TA1/21A
RANSOME & MARLES CA11/16"	BALLRACE	2	—	TA1/18
AGS2031/22	CIRCLIP, external 1.1/16"	1	—	TA1/18A
EA1.33.161	LEVER, assembly Attaching parts for EA1.33.161:—	1	—	TA1/22
EA3.33.339	Bolt, special	3	—	TA1/23
AGS2002E1	Nut, 1/4" BSF	3	—	TA1/24
EA3.33.211	PLATE, sealing Attaching parts for EA3.33.211:—	1	—	TA1/25
4100/6x3/8"	Screw	2	—	TA1/26
EA1.33.165	ROD, assembly	1	—	TA1/27
EA1.33.151	SLEEVE, BEARING, ASSEMBLY Spares for:—	1	—	TA1/28
RANSOME & MARLES CA15/16"	BALLRACE	1	—	TA1/29
EA1.33.157	SLEEVE	1	—	TA1/30
EA1.33.233	TUBE, distance	1	—	TA1/35
EA1.33.131	TUBE, torque, inner	1	—	TA1/36
EA1.33.803	TUBE, TORQUE, OUTER, ASSEMBLY Spares for:—	1	—	TA1/37
EA1.33.721	LEVER Attaching parts for EA1.33.721:—	1	—	TA1/38
EA3.33.339	Bolt, special	3	—	TA1/39
AGS2002E1	Nut, 1/4" BSF	3	—	TA1/40
SP15E	Washer	3	—	TA1/41
EA1.33.143	SLEEVE, BEARING, ASSEMBLY Spares for:—	1	—	TA1/42
RANSOME & MARLES CA15/16"	BALLRACE	1	—	TA1/43
EA1.33.211	STOP, limit Attaching parts for EA1.33.211:—	1	—	TA1/31
A25/7E	Bolt, 1/4" BSF	1	—	TA1/32
AGS2001E1/66	Nut, 1/4" BSF	1	—	TA1/33
SP13E	Washer	1	—	TA1/34

RUDDER C/W TAB

Part Number	Description	No. Off	Matl. Spec.	Plate No.
EA1.33.177	. . . HOUSING, BEARING, FOR RUDDER OPERATING GEAR AT RIB 6, ASSEMBLY Spares for:—	1	—	TA3/1
RANSOME & MARLES CA1 5/16" BALLRACE	1	—	TA3/2
AGS2031/24 CIRCLIP, 1/16" external	1	—	TA3/3
AGS2030/48 CIRCLIP, 1 3/4" internal	1	—	TA3/4
EA1.33.123 HOUSING, bearing Attaching parts for EA1.33.123:—	1	L40	TA3/5
A25/3E Bolt, 1/4" BSF	4	—	TA3/6
EA1.33.179 LEVER, ASSEMBLY Spares for:—	1	—	TA3/7
SKEFKO CBA2 BALLRACE	1	—	TA3/8
EA1.33.205 PLATE, stop Attaching parts for EA1.33.205:—	1	L40	TA3/9
AS1246/3C Bolt, round head, 2BA	1	HTS	TA3/10
EA1.33.201 RING, ballrace retaining	1	L64	TA3/11
EA1.33.203 TUBE, distance	1	T4	TA3/12
EA1.33.383	. . . HOUSING, bearing tab operating gear at rib 2 Attaching parts for EA1.33.383:—	1	L40	TA1/44
A25/3E	. . . Bolt, 1/4" BSF	6	—	TA1/45
EA1.33.445	. . . PANEL, access L.H. lower hinge bracket	1	—	TA3/13
EA1.33.447	. . . PANEL, access R.H. lower hinge bracket Attaching parts for EA1.33.445 & EA1.33.447:—	1	—	TA3/14
EEAS1/1C	. . . Screw, 2BA	8	—	TA3/15
EA1.33.791	. . . PANEL, access upper hinge bracket Attaching parts for EA1.33.791:—	1	—	TA3/16
EEAS1/1C	. . . Screw, 2BA	10	—	TA3/17
EA1.33.425	. . . PLUG, sealing rudder lifting point	2	—	TA3/18
EA1.33.57	. . . RIB, nose No. 1 L.H. (Pre-Mod 4427)	1	—	—
EA9.33.75	. . . RIB, nose No. 1 L.H. (Mod 4427)	1	—	TA3/19
EA1.33.58	. . . RIB, nose No. 1 R.H. (Pre-Mod 4427)	1	—	—
EA9.33.76	. . . RIB, nose No. 1 R.H. (Mod 4427) (Supplied for spares to drg EA3.00.5265)	1	—	TA3/20
EA1.33.779	. . . NUT, special ballrace weight clamping	1	MS	TA3/21
EA3.33.133	. . . PAD, assembly	1	—	TA3/22
SP90H13	. . . PIN, split, 5/32" dia	1	—	TA3/22A
EA1.33.93	. . . RIB, TRAILING, No. 6 ASSEMBLY Spares for:—	1	—	TA3/23
EA1.33.187	. . . HINGE, tab centre Attaching parts for EA1.33.187:—	1	—	TA3/24
A25/2C	. . . Bolt, 2BA	1	—	TA3/25
A25/3C	. . . Bolt, 2BA	2	—	TA3/26
A27CP	. . . Nut, 2BA	3	—	TA3/27
SP15C	. . . Washer	2	—	TA3/28

TAIL UNIT
RUDDER C/W TAB

Part Number	Description	No. Off	Matl. Spec.	Plate No.
EA3.33.271	. ROD, TAB, CONTROL, ASSEMBLY (PRE-MOD 4930)	1	—	TA2/25
EA3.33.303	. ROD, TAB, CONTROL, ASSEMBLY (MOD 4930) (PRE-MOD 5473)	1	—	
EA3.33.341	. ROD, CONTROL, ASSEMBLY (MOD 5473) Spares for:—	1	—	
EA3.33.269	. . BOLT, special, adjusting	1	S95	TA2/26
EEAS131/1	. . FORK-END, control tube (PRE-MOD 5473)	1	DTD683	TA2/27
EA3.33.347	. . FORK-END (MOD 5473)	1	—	
EEAS37/13A	. . NIPPLE, $\frac{3}{16}$ " dia	10	—	TA2/29
A27GP	. . NUT	1	—	TA2/29A
A27GPL	. . NUT	1	—	TA2/29B
HOFFMANN CF2	. . ROD END, assembly	1	—	TA2/28
or				
CF2A	. . ROD END, assembly	1	—	
EA1.33.275	. . SOCKET, screwed (PRE-MOD 5473)	1	L40	TA2/30
EA3.33.349	. . SOCKET, screwed (MOD 5473)	1	—	
EEAS38/1A	. . SPOKE, 6BA Attaching parts for EA3.33.271, EA3.33.303 or EA3.33.341:—	5	—	TA2/31
EEAS13	. Bolt, special, $\frac{1}{4}$ " BSF	1	S11	TA2/32
EA1.31.65	. Bolt, special	1	—	TA2/33
EEAS14	. Bush, bearing	2	S11	TA2/34
A27ES	. Nut, $\frac{1}{4}$ " BSF	1	—	TA2/35
A27CS	. Nut, 2BA	1	—	TA2/36
SP90C7	. Pin, split, $\frac{1}{16}$ " dia	2	—	TA2/36A
EEAS28/8GR	. Washer	2	L72	TA2/37
SP16C	. Washer	1	—	TA2/38
EA3.33.21	. TAB, RUDDER, TRIM, ASSEMBLY (PRE-MOD 4478)	1	—	TA2/39
EA3.00.1079	. TAB, RUDDER, TRIM, ASSEMBLY (MOD 4478) (PRE-MOD 5043) (Spares Conditioned)	1	—	
EA3.00.5407	. TAB, RUDDER, TRIM, ASSEMBLY (MOD 5043) (Spares Conditioned) Spares for:—	1	—	
EA3.31.53	. . ARM, balance support Attaching parts for EA3.31.53:—	6	L40	TA2/40
A29EP	. . Nut, $\frac{1}{4}$ " BSF	1	—	TA2/41
SP16E	. . Washer	1	—	TA2/42
SP15E	. . Washer	1	—	TA2/43
EA1.45.49	. . BOLT, special, balance weight retaining	6	S1	TA2/44
EA3.33.23	. . BRACKET, rudder tab actuator	1	—	TA3/29
EA1.31.61	. . PIN, hinge bearing Attaching parts for EA1.31.61:—	1	S11	TA3/30
A27ET	. . Nut, $\frac{1}{4}$ " BSF	1	—	TA3/31
EA3.33.107	. . WEIGHT, balance	2	—	TA2/44A
EA3.33.125	. . WEIGHT, balance	1	—	TA2/44B
EA1.33.481	. WASHER, mass balance	19	—	TA3/32
EA1.33.249	. WASHER, special thrust trim actuator connecting bolt	2	L40	TA1/46
EA3.33.249	. WEIGHT, balance Attaching parts for EA3.33.131:—	1	—	TA3/33
EA1.33.489	. Bolt	4	—	TA3/34
EA1.33.491	. Packing	4	—	TA3/35
EA3.33.139	. WEIGHT, balance	3	—	TA3/36
EA1.33.483	. WEIGHT, balance	7	—	TA3/37

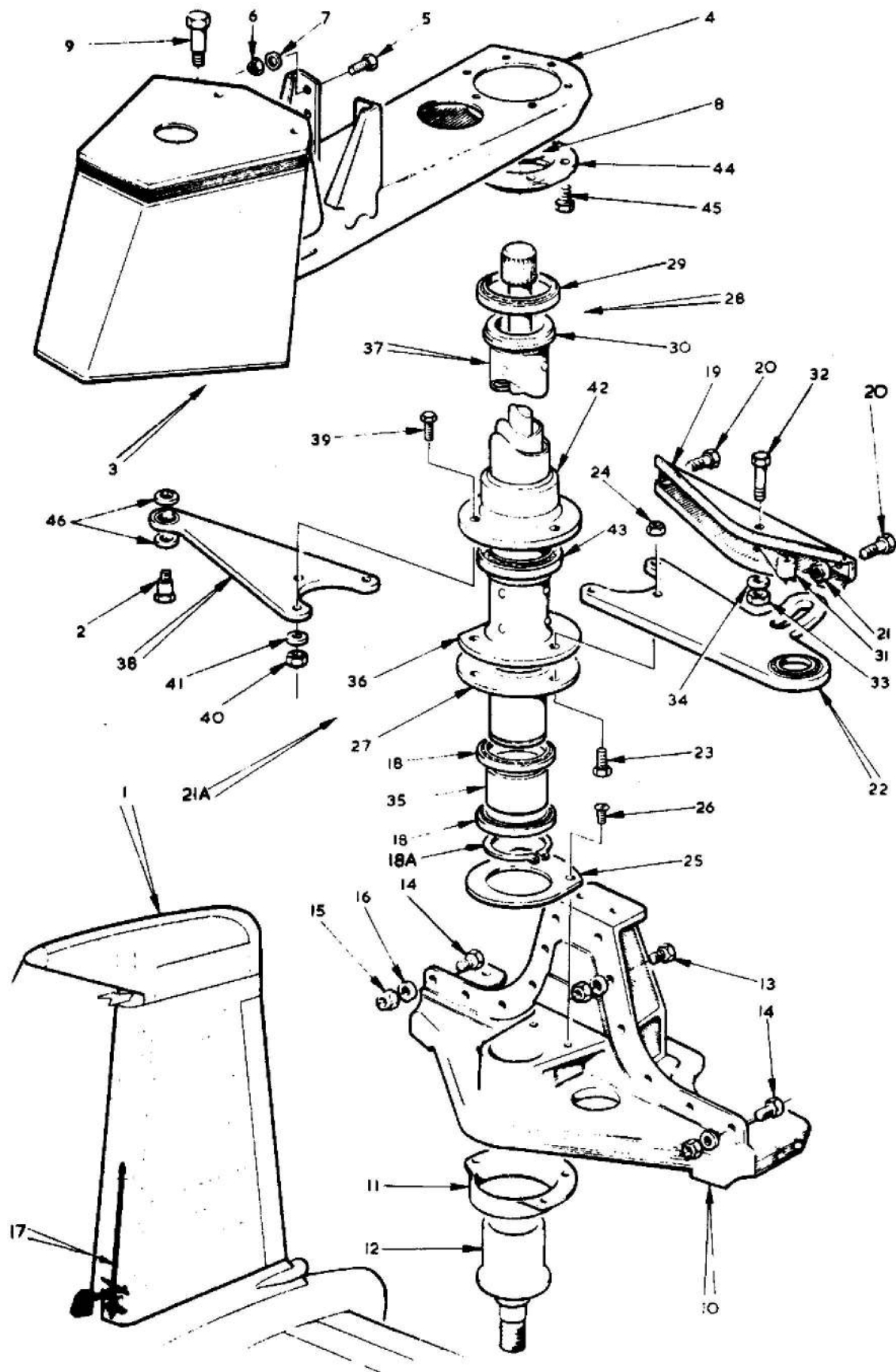


FIG 1 RUDDER C/W TAB

CODE RSTZ

SECT TA

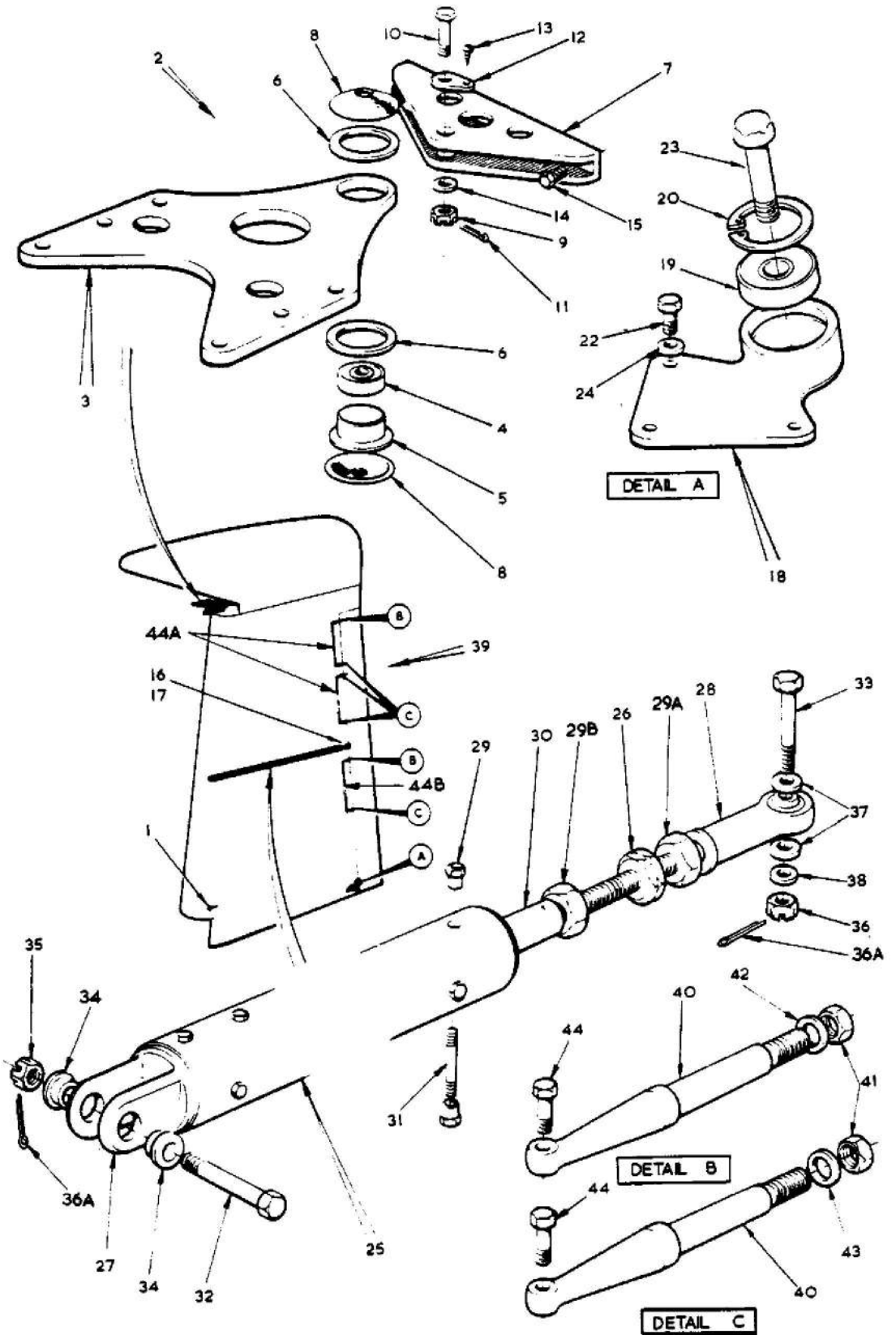


FIG. 2 RUDDER C/W TAB

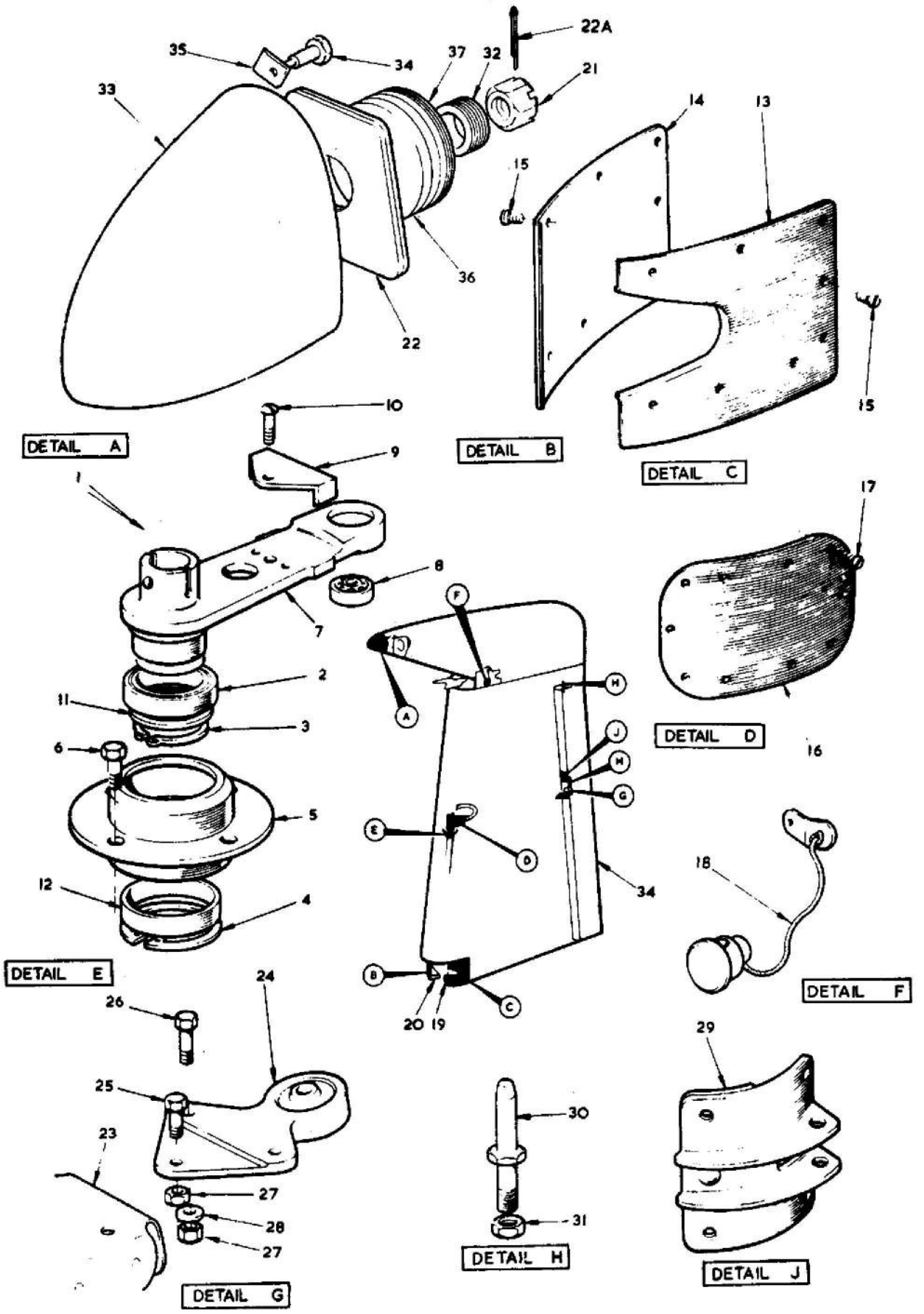


FIG 3 RUDDER C/W TAB

CODE RSTZ

SECT TA

This file was downloaded
from the RTFM Library.

Link: www.scottbouch.com/rtfm

Please see site for usage terms,
and more aircraft documents.

