

**UNDERCARRIAGE  
MAIN UNDERCARRIAGE, PORT**

| Ref. No. | Part No.       | Description  | No. off | Matl. Spec.      | Cl. of Equip. |      | Plate No. |
|----------|----------------|--|---------|------------------|---------------|------|-----------|
|          |                |  |         |                  | M.R.          | L.M. |           |
|          | E.A1.40.727    | <b>MAIN UNDERCARRIAGE, PORT, ASSEMBLY</b> ...  | 1       | —                | —             |      |           |
|          | E.A1.40.729    | Consisting of:—<br><b>LEG, OLEO (LESS WHEEL BRAKE UNIT AND FIXED FAIRING) ASSEMBLY</b> ... | 1       | —                | —             |      | U.1       |
|          |                | Consisting of:—  |         |                  |               |      |           |
| 2168     | E.A6.40.35     | <b>BOLT</b> , special, securing ... ..   | 10      | S.97             | C             |      | U.1       |
| 4173     | E.A1.40.517    | <b>BOLT</b> , special, securing cowl door mechanism to leg (Made from A25/5E)              | 4       | H.T.S.           | C             |      | U.2       |
| 4174     | E.A1.40.519    | <b>BOLT</b> , special, securing fixed fairing mounting bracket to leg (Made from A25/5G)   | 8       | H.T.S.           | C             |      |           |
| 27G/4085 | DUNLOP AS.9780 | <b>BRAKE</b> , unit (For spares see AP.4515C, Vol. 3, Part 1, sect. 2, Chap. 37)           | 1       | —                | A             |      | U.1       |
| 6848     | E.B6.20.729    | <b>FAIRING, MIXED, ASSEMBLY</b> ... ..<br>(Supplied with trim allowance)                   | 1       | —                | B             |      | U.1       |
|          |                | Spares for:—   |         |                  |               |      |           |
| 3060     | E.A3.20.853    | <b>FAIRING, FIXED, GROUP</b> ... ..  | 1       | —                | B             |      |           |
|          |                | Spares for:—   |         |                  |               |      |           |
| 16205    | E.A3.20.831    | <b>MEMBER</b> , edge ... ..  | 1       | —                | C             |      |           |
| 16214    | E.A3.20.847    | <b>MEMBER</b> , edge ... ..  | 1       | —                | C             |      |           |
| 21164    | E.A3.20.2869   | <b>PANEL, HINGE, ASSEMBLY</b> ... ..   | 1       | —                | B             |      |           |
|          |                | Spares for:—   |         |                  |               |      |           |
|          | E.A1.20.1679   | <b>HINGE</b> (Made from 28N/9486785) ...   | 1       | —                | LM            |      |           |
| 3025     | E.A1.20.1675   | <b>PANEL</b> , hinge, 16 SWG ... ..  | 1       | L.72             | C             |      |           |
| 520      | E.A1.40.435    | <b>SPRING</b> ... ..   | 2       | Spring Steel     | C             |      |           |
| 1413     | E.A1.20.6817   | <b>PANEL</b> , access picket point ... ..  | 1       | —                | C             |      | U.1       |
|          | E.A3.20.1627   | <b>SEAL</b> , $\frac{3}{8}$ " dia. x 90" long (Make from Ref. 4432)                        | 1       | Synthetic Rubber | LM            |      | U.1       |
| 16160    | E.A1.20.9367   | <b>STIFFENER</b> ... ..  | 1       | —                | C             |      |           |
| 5970     | E.A3.73.93     | <b>WASHER</b> , special, for flexible pipe, bottom bracket                                 | 2       | L.72             | C             |      | U.1       |
| 34712    | E.A9.40.59     | <b>LEG, SLIDING AND OLEO HEAD, GROUP (MOD. 4270)</b>                                       | 1       | —                | A             |      |           |
|          |                | Spares for:—   |         |                  |               |      |           |
| 661      | E.A1.40.153    | <b>BUSH</b> , bearing ... ..   | 4       | DTD.412          | C             |      | U.2       |
|          | E.A9.40.57     | <b>HEAD, OLEO, GROUP (MOD. 4270)</b> ... ..  | 1       | —                | —             |      |           |
|          |                | Spares for:—   |         |                  |               |      |           |
| 663      | E.A1.40.89     | <b>BEARING</b> , spherical, seated ball joint side stay                                    | 1       | S.11             | C             |      | U.2       |
| 664      | E.A1.40.101    | <b>BUSH</b> , bearing ... ..   | 1       | DTD.412          | C             |      | U.2       |
| 1438501  | E.A9.40.63     | <b>BUSH</b> , pivot (Mod. 4270) ... ..   | 2       | —                | C/MR          |      | U.2       |
| 666      | E.A1.40.111    | <b>BUSH</b> , torque, link leg ... ..  | 2       | DTD.412          | C             |      | U.2       |
| 667      | E.A1.40.133    | <b>DISC</b> , sealing, piston dowel plug ... ..  | 2       | L.40             | C             |      | U.2       |
| 668      | E.A1.40.131    | <b>DOWEL</b> , special, piston ... ..  | 2       | S.11             | C             |      | U.2       |
|          | or             |  |         |                  |               |      |           |
| 36258    | E.A3.03.101    | <b>DOWEL</b> , piston, (First repair) ... ..   | 2       | —                | C             |      |           |
|          | or             |  |         |                  |               |      |           |
| 36259    | E.A3.03.103    | <b>DOWEL</b> , piston (Second repair) ... ..   | 2       | —                | C             |      |           |
| 42058    | E.A9.40.55     | <b>HEAD</b> , oleo, forging (Mod. 4270) ... ..   | 1       | DTD.5094         | A/MR          |      | U.2       |
| 669      | E.A1.40.103    | <b>HOOK</b> , "S" shaped, 16 SWG ... ..  | 2       | M.S. Wire        | C             |      | U.2       |
| 20656    | E.A1.40.127    | <b>PIPE</b> , stack, assembly ... ..   | 1       | —                | B/MR          |      | U.2       |

**UNDERCARRIAGE  
MAIN UNDERCARRIAGE, PORT**

| Ref. No.    | Part No.    | 1 | 2 | 3 | 4 | 5 | 6 | Description  | No. off | Matl. Spec.      | Cl. of Equip. |      | Plate No. |
|-------------|-------------|---|---|---|---|---|---|--|---------|------------------|---------------|------|-----------|
|             |             |   |   |   |   |   |   |  |         |                  | M.R.          | L.M. |           |
|             | E.A6.40.5   |   |   |   |   |   |   | <b>PISTON, OPERATING, GROUP</b> ... ..   | 1       | —                | —             |      | U.2       |
|             |             |   |   |   |   |   |   | Consisting of:—  |         |                  |               |      |           |
| 683         | E.A1.40.61  |   |   |   |   |   |   | <b>BOLT</b> , special, attachment enclosure orifice plate                      | 3       | S.11             | C             |      | U.2       |
| 1099        | EEAS.37/22A |   |   |   |   |   |   | <b>NIPPLE</b> , 2 BA ... ..  | 2       | S.11             | C             |      | U.2       |
| 670         | E.A1.40.647 |   |   |   |   |   |   | <b>PISTON</b> ... ..   | 1       | DTD.197          | C             |      | U.2       |
| 22528       | E.A6.40.33  |   |   |   |   |   |   | <b>PLATE</b> , orifice enclosure control ... ..                                | 1       | S.11             | C/MR          |      | U.2       |
| 672         | E.A1.40.651 |   |   |   |   |   |   | <b>RING</b> , piston ... ..  | 1       | —                | C             |      | U.2       |
|             | EEAS.38/3A  |   |   |   |   |   |   | <b>SPOKE</b> , 2 BA (Make from 28R/6328) ... ..                                | 1       | S.11             | LM            |      | U.2       |
|             | E.A1.40.117 |   |   |   |   |   |   | <b>STRUT</b> , piston, main ... ..   | 1       | T.4              | —             |      | U.2       |
| 30A/9140209 | †           |   |   |   |   |   |   | <b>WIRE</b> , locking, 20 SWG ... ..   | QR      | Soft Iron        | C             |      |           |
| 673         | E.A1.40.679 |   |   |   |   |   |   | <b>PLUG</b> , pivot, bearing, bush retaining ... ..                            | 2       | L.40             | C             |      | U.2       |
| 674         | E.A1.40.95  |   |   |   |   |   |   | <b>RING</b> , lower, retaining ball joint ... ..                               | 1       | DTD.124          | C             |      | U.2       |
| 676         | E.A1.40.97  |   |   |   |   |   |   | <b>RING</b> , upper, retaining ball joint ... ..                               | 1       | DTD.124          | C             |      | U.2       |
| 678         | E.A1.40.155 |   |   |   |   |   |   | <b>RING</b> , sealing, at dowel ... ..   | 2       | Synthetic Rubber | C             |      | U.2       |
| 679         | E.A1.40.625 |   |   |   |   |   |   | <b>SCREW</b> , special, retaining plug dowel seal ... ..                       | 2       | L.40             | C             |      | U.2       |
| 680         | E.A1.40.99  |   |   |   |   |   |   | <b>STUD</b> , for retaining rings at ball joint ... ..                         | 12      | S.11             | C             |      | U.2       |
| 681         | E.A1.40.105 |   |   |   |   |   |   | <b>TUBE</b> , distance, packing, for locking washer ... ..                     | 1       | L.40             | C             |      | U.2       |
| 28Y/15486   | AGS.2096    |   |   |   |   |   |   | <b>VALVE</b> , charging, hydraulic ... ..                                      | 1       | —                | C             |      | U.2       |
| 682         | E.A1.40.149 |   |   |   |   |   |   | <b>WASHER</b> , special, locking, 14 SWG ... ..                                | 1       | DTD.124          | C             |      | U.2       |
|             | E.A9.40.61  |   |   |   |   |   |   | <b>LEG, SLIDING, COMPRESSION, GROUP (MOD. 4270)</b>                            | 1       | —                | —             |      | U.2       |
|             |             |   |   |   |   |   |   | Spares for:—   |         |                  |               |      |           |
| 26640       | E.A3.40.201 |   |   |   |   |   |   | <b>BOLT</b> , special, clamp, locking (Mod. 2308) ... ..                       | 1       | S.95 or S.96     | C             |      |           |
| 683         | E.A1.40.61  |   |   |   |   |   |   | <b>BOLT</b> , special, stud ... ..   | 6       | S.11             | C             |      | U.2       |
| 684         | E.A1.40.161 |   |   |   |   |   |   | <b>BUSH</b> , bearing, in lug ... ..   | 2       | DTD.124          | C             |      | U.2       |
| 2467        | E.A3.40.45  |   |   |   |   |   |   | <b>BUSH</b> , bearing ... ..   | 1       | —                | C             |      | U.2       |
|             | E.A3.40.217 |   |   |   |   |   |   | <b>CLAMP, AXLE, GROUP</b> ... ..   | 1       | —                | MR            |      | U.2       |
|             |             |   |   |   |   |   |   | Spares for:—   |         |                  |               |      |           |
| 21355       | E.A3.40.23  |   |   |   |   |   |   | <b>BUSH</b> ... ..   | 1       | L.16             | C             |      | U.2       |
| 13024       | E.A3.40.183 |   |   |   |   |   |   | <b>CLAMPING</b> , axle body (Mod. 1999) ... ..                                 | 1       | —                | C             |      | U.2       |
| 1753        | E.A3.40.19  |   |   |   |   |   |   | <b>LINK</b> , towing ... ..  | 1       | —                | C             |      | U.2       |
| 21537       | E.A3.40.21  |   |   |   |   |   |   | <b>WASHER</b> , special, tow link ... ..                                       | 1       | —                | C             |      | U.2       |
| 14706       | E.A3.40.209 |   |   |   |   |   |   | <b>HOUSING</b> , seal (Mod. 2361) ... ..                                       | 1       | L.65             | C             |      |           |
| 1462        | E.A3.40.9   |   |   |   |   |   |   | <b>LEG, SLIDING, C/W INTEGRAL AXLE</b> ... ..                                  | 1       | —                | A             |      | U.2       |
|             |             |   |   |   |   |   |   | Spares for:—   |         |                  |               |      |           |
| 6627        | E.A3.40.51  |   |   |   |   |   |   | <b>PIN</b> , shear ... ..  | 1       | S.65             | C             |      |           |
| 6500        | E.A3.40.53  |   |   |   |   |   |   | <b>SCREW</b> , grub ... ..   | 1       | S.95             | C             |      |           |
| 691         | E.A1.40.41  |   |   |   |   |   |   | <b>NUT</b> , stop, special ... ..  | 1       | S.11             | C             |      | U.2       |
| 32210       | E.A3.40.221 |   |   |   |   |   |   | <b>PIN</b> , locking, piston ... ..  | 3       | S.97             | C             |      |           |
|             | E.A3.40.219 |   |   |   |   |   |   | <b>PISTON</b> , sliding leg ... ..   | 1       | DTD.197          | —             |      |           |
| 693         | E.A1.40.175 |   |   |   |   |   |   | <b>PLATE</b> , orifice ... ..  | 1       | S.65             | C             |      | U.2       |
| 694         | E.A1.40.655 |   |   |   |   |   |   | <b>PLUG</b> , sealing (Pre-Mod. 2361) ... ..                                   | 1       | DTD.683          | C             |      |           |
| 14701       | E.A3.40.203 |   |   |   |   |   |   | <b>PLUG</b> , sealing (Mod. 2361) ... ..                                       | 1       | DTD.683          | C             |      | U.2       |
| 695         | E.A1.40.677 |   |   |   |   |   |   | <b>PLUG</b> , pivot bearing, bush retaining ... ..                             | 2       | L.40             | C             |      | U.2       |
| 696         | E.A1.40.37  |   |   |   |   |   |   | <b>RING</b> , sealing between bush end retaining washer (Pre-Mod. 2361) ... .. | 2       | Synthetic Rubber | C             |      |           |
| 14703       | E.A3.40.213 |   |   |   |   |   |   | <b>RING</b> , sealing, seal housing (Mod. 2361) ... ..                         | 2       | Synthetic Rubber | C             |      | U.2       |
| 12915       | E.A1.40.45  |   |   |   |   |   |   | <b>RING</b> , retaining, felt washer, 12 SWG ... ..                            | 1       | M.S.             | C             |      | U.2       |
| 697         | E.A1.40.57  |   |   |   |   |   |   | <b>RING</b> , piston ... ..  | 1       | —                | C             |      | U.2       |
| 14705       | E.A3.40.215 |   |   |   |   |   |   | <b>RING</b> , backing (Mod. 2361) ... ..                                       | 2       | Fabric CX.18     | C             |      | U.2       |

**UNDERCARRIAGE  
MAIN UNDERCARRIAGE, PORT**

| Ref. No. | Part No.  | Description   | No. off | Matl. Spec.      | Cl. of Equip. | Plate No. |
|----------|---|---|---------|------------------|---------------|-----------|
|          |   |   |         |                  | M.R. L M      |           |
| 21221    | E.A1.40.635   | RING, distance, between felt washer and sealing rings (Pre-Mod. 2361) | 3       | DTD.138          | C             |           |
| 14700    | E.A3.40.207   | RING, distance, between sealing and backing rings (Mod. 2361)         | 1       | L.64             | C             | U.2       |
| 12913    | E.A1.40.657   | RING, spacer, between sealing rings ...                               | 1       | DTD.683          | C             | U.2       |
| 21354    | E.A1.40.659   | RING, shock absorber stop ...   | 1       | DTD.683          | C             | U.2       |
| 698      | E.A1.40.661   | RING, sealing (Pre-Mod. 2361) ...                                     | 1       | Synthetic Rubber | C             |           |
| 14702    | E.A3.40.205   | RING, sealing (Mod. 2361) ...   | 1       | Synthetic Rubber | C             |           |
| 14704    | E.A3.40.211   | RING, sealing, seal housing (Mod. 2361) ...                           | 1       | Soft rubber      | C             | U.2       |
| 700      | E.A1.40.167   | SCREW, grub stop, nut locking ...                                     | 1       | S.1              | C             |           |
| 701      | E.A1.40.39  | WASHER, fibre, between retaining ring and stop nut                    | 1       | BS.216           | C             | U.2       |
| 702      | E.A1.40.43  | WASHER, packing, 3/8" thick ...                                       | 1       | Hard Felt        | C             |           |
| 3631     | E.A1.40.27  | LINK, torque, top ...   | 1       | DTD.683          | C             | U.2       |
| 3632     | E.A1.40.28  | LINK, torque, bottom ...  | 1       | DTD.683          | C             | U.2       |
| 703      | E.A1.40.67  | PIN, bearing, bottom toggle link ...                                  | 1       | S.11             | C             | U.2       |
| 704      | E.A1.40.69  | PIN, bearing, top toggle link ...                                     | 1       | S.11             | C             | U.2       |
| 1500     | E.A3.40.27  | PIN, bearing, toggle joint ...  | 1       | S.97             | C             | U.2       |
| 707      | E.A1.40.77  | SCREW, special, retaining bearing pin ...                             | 2       | S.11             | C             | U.2       |
| 708      | E.A1.40.139   | SCREW, grub special, locking, top and bottom, bearing pins            | 2       | M.S.             | C             | U.2       |
| 709      | E.A1.40.619   | SHIM, bearing, pin sleeve ...   | 2       | LA               | C             | U.2       |
| 710      | E.A1.40.71  | SLEEVE, bearing, for toggle sleeve ...                                | 1       | S.11             | C             | U.2       |
| 711      | E.A1.40.73  | SLEEVE, bearing, for toggle sleeve ...                                | 1       | S.11             | C             | U.2       |
| 712      | E.A1.40.137   | TAB, locking, 16 SWG ...  | 1       | M.S.             | C             | U.2       |
| 713      | E.A1.40.75  | WASHER, special, bearing, thrust ...                                  | 2       | DTD.412          | C             | U.2       |
| 714      | E.A1.40.79  | WASHER, special, locking bearing pin retaining screw, 16 SWG          | 2       | M.S.             | C             | U.2       |
| 715      | E.A1.40.83  | WASHER, spacing, at toggle joint between link bearings                | 1       | S.11             | C             | U.2       |
| 1514     | E.A3.40.29  | WASHER, special, at toggle joint ...                                  | 1       | S.96             | C             | U.2       |
| 1515     | E.A3.40.31  | WASHER, special, at toggle joint ...                                  | 1       | S.96             | C             | U.2       |
| 718      | E.A1.40.147   | WASHER, special, bearing thrust ...                                   | 2       | DTD.412          | C             | U.2       |
| 521      | E.A1.40.467   | LEVER, COWL DOOR MECHANISM, GROUP ...                                 | 1       | —                | C             | U.2       |
|          |   | Spares for:—  |         |                  |               |           |
| 522      | E.A1.40.465   | BUSH, bearing ...   | 2       | L.40             | C             | U.2       |
|          | E.A1.40.529   | LEVER, operating ...  | 1       | —                | —             | U.2       |
| 27G/2485 | A.H.M.2572<br>DUNLOP                                      | PIPE, feed for maxaret unit ...                                       | 1       | —                | B             |           |
| 27G/2486 | A.H.M.2574<br>DUNLOP                                      | PIPE, feed for maxaret unit ...                                       | 1       | —                | B             |           |
| 27A/3153 | D.T.1606<br>DUNLOP  | TUBE, inner, 43" x 12"5 x 21" ...                                     | 1       | —                | A             | U.1       |
| 27A/3152 | DF.1621<br>FIRESTONE<br>ZA.101<br>or<br>DUNLOP<br>DR.1623 | TYRE, outer, 43" x 12"5 x 21" ...                                     | 1       | —                | A             | U.1       |
| 27A/4655 | GOODYEAR<br>GA.1266<br>FIRESTONE<br>ZA.303                |   |         |                  |               |           |

**UNDERCARRIAGE  
MAIN UNDERCARRIAGE, PORT**

| Ref. No.    | Part No.           | Description  | No. off | Matl. Spec.  | Cl. of Equip. | Plate No. |
|-------------|--------------------|--|---------|--------------|---------------|-----------|
|             |                    |  |         |              | M.R. L.M.     |           |
| 27G/2382    | AC.11516           | <b>UNIT</b> , maxaret automatic brake control ... ..                                     | 1       | —            | A             | U.1       |
| 2169        | EA3.40.43          | <b>WASHER</b> ... ..   | 10      | DTD.124A     | C             | U.1       |
| 27A/4217    | AH.51337           | <b>WHEEL</b> , undercarriage (Pre-Mod. 4481) (For spares see AP.4515C, Vol. 3)           | 1       | —            | A             | U.1       |
| 27A/1450713 | DUNLOP<br>AH.52692 | <b>WHEEL</b> , undercarriage (Mod. 4481) (For spares see AP.4515C, Vol. 3)               | 1       | —            | A             |           |
| 30A/9140209 | †                  | <b>WIRE</b> , locking, 20 SWG ... ..   | QR      | —            | C             |           |
| 523         | EA1.40.29          | <b>STAY, SIDE UNDERCARRIAGE, GROUP (PRE-MOD. 3585)</b><br>Spares for:—                   | 1       | —            | A             |           |
| 525         | EA1.40.195         | <b>BOLT</b> , special, hook ... ..   | 1       | S.65 or S.81 | C             | U.3       |
| 526         | EA1.40.197         | <b>BOLT</b> , special, connecting stay and link ... ..                                   | 1       | S.65 or S.81 | C             | U.3       |
| 527         | EA1.40.203         | <b>BOLT</b> , special, for roller, assembly, locking gear                                | 1       | S.11         | C             | U.3       |
| 528         | EA1.40.221         | <b>BOLT</b> , special, connecting undercarriage operating jack                           | 1       | S.65 or S.81 | C             | U.3       |
| 529         | EA1.40.239         | <b>BOLT</b> , stop, special, link stay ... ..  | 1       | S.65 or S.81 | C             | U.3       |
| 530         | EA1.40.405         | <b>BOLT</b> , special, sequence valve operating ... ..                                   | 1       | S.11         | C             | U.3       |
| 7112        | EA1.40.229         | <b>BRACKET</b> , stop bolt ... ..  | 1       | S.11         | C             | U.3       |
| 7114        | EA1.40.403         | <b>BRACKET</b> , sequence valve operating stud ... ..                                    | 1       | L.40         | C             | U.3       |
| 531         | EA1.40.199         | <b>LEVER, UNDERCARRIAGE, LOCK, GROUP</b> ...<br>Consisting of:—                          | 1       | —            | C             | U.3       |
| 532         | EA1.40.213         | <b>BUSH</b> ... ..   | 1       | DTD.197      | C             | U.3       |
|             | EA1.40.201         | <b>LEVER</b> ... ..  | 1       | S.11         | —             |           |
| 533         | EA1.40.200         | <b>LEVER, UNDERCARRIAGE, LOCK, GROUP</b> ...<br>Consisting of:—                          | 1       | —            | C             | U.3       |
| 532         | EA1.40.213         | <b>BUSH</b> ... ..   | 1       | DTD.197      | C             | U.3       |
|             | EA1.40.202         | <b>LEVER</b> ... ..  | 1       | S.11         | —             |           |
| 13168       | EA3.40.191         | <b>LEVER, UNDERCARRIAGE, "DOWN", MICRO SWITCH, ASSEMBLY (MOD. 2151)</b><br>Spares for:—  | 1       | —            | C             | U.3       |
| 179         | EA1.40.569         | <b>SCREW</b> , tappet ... ..   | 1       | S.11         | C             | U.3       |
| 6472        | EA1.40.225         | <b>LINK, SIDE STAY, GROUP</b> ... ..<br>Spares for:—                                     | 1       | —            | B             | U.3       |
| 536         | EA1.40.227         | <b>BUSH</b> , bearing ... ..   | 2       | DTD.197      | C             | U.3       |
| 26667       | EA3.40.193         | <b>NUT</b> , special, slotted for undercarriage operating jack bolt (Make from A27/JS)   | 1       | MT.5         | C             | U.3       |
| 12916       | EA1.40.347         | <b>NUT</b> , special, slotted, for link and link stay connecting bolt (Make from A27/WS) | 1       | M.S.         | C             | U.3       |
|             | EA1.40.351         | <b>NUT</b> , special, slotted, for hook catch pin bolt (Make from A27/QS)                | 1       | M.S.         | C             | U.3       |
|             | EA1.40.349         | <b>NUT</b> , special, slotted, for undercarriage roller locking bolt (Make from A27/JS)  | 1       | M.S.         | —             | U.3       |
| 537         | EA1.40.353         | <b>NUT</b> , special, lock for stay link stop bolt ...                                   | 1       | S.11         | C             | U.3       |
| 13184       | EA3.40.199         | <b>PLATE</b> ... ..  | 1       | DTD.124      | C             | U.3       |
| 538         | EA1.40.223         | <b>PLUG</b> , adaptor, for Tecaletit grease nipple in link and stay connecting bolt      | 1       | L.40         | C             | U.3       |
| 539         | EA1.40.205         | <b>ROLLER</b> , stop lever, assembly ... ..  | 1       | —            | C             | U.3       |
| 7113        | EA1.40.233         | <b>SLEEVE</b> , operating spring for undercarriage lock stop                             | 1       | DTD.197      | C             | U.3       |
| 540         | EA1.40.237         | <b>SPRING</b> , compression at lock stop ... ..  | 1       | Spring Steel | C             | U.3       |
| 30706       | EA1.40.31          | <b>STAY</b> , side ... ..  | 1       | DTD.683      | MR            |           |

**UNDERCARRIAGE  
MAIN UNDERCARRIAGE, PORT**

| Ref. No. | Part No.                       | Description |   |   |   |   |   | No. off | Matl. Spec. | Cl. of Equip. |      | Plate No. |
|----------|--------------------------------|-------------|---|---|---|---|---|---------|-------------|---------------|------|-----------|
|          |                                | 1           | 2 | 3 | 4 | 5 | 6 |         |             | M.R.          | L.M. |           |
| 541      | EA1.40.235                     |             |   |   |   |   |   | 1       | S.11        | C             | U.3  |           |
| 542      | EA1.40.217                     |             |   |   |   |   |   | 1       | L.40        | C             | U.3  |           |
| 543      | EA1.40.219                     |             |   |   |   |   |   | 1       | L.40        | C             | U.3  |           |
| 544      | EA1.40.291                     |             |   |   |   |   |   | 1       | S.3         | C             | U.3  |           |
| 545      | EA1.40.355                     |             |   |   |   |   |   | 1       | L.72        | C             | U.3  |           |
| 546      | EA1.40.357<br>or<br>EA1.40.765 |             |   |   |   |   |   | 1       | S.3         | C             | U.3  |           |
| 547      | EA1.40.417                     |             |   |   |   |   |   | 1       | L.72        | C             | U.3  |           |
| 34172    | EA9.40.43                      |             |   |   |   |   |   | 1       | —           | A             | U.1  |           |
|          |                                |             |   |   |   |   |   |         |             |               |      |           |
|          | EA1.40.31                      |             |   |   |   |   |   | 1       | DTD.683     | —             |      |           |
|          | EA9.40.39                      |             |   |   |   |   |   | 1       | DTD.5024    | —             | U.3  |           |

Restricted

| Ref. No. | Part No. | 1 | 2 | 3 | 4 | 5 | 6 | Description | No. off | Matl. Spec. | Cl. of Equip. | Plate No. |
|----------|----------|---|---|---|---|---|---|-------------|---------|-------------|---------------|-----------|
|          |          |   |   |   |   |   |   |             |         |             | M.R.          |           |
|          |          |   |   |   |   |   |   |             |         |             |               |           |

1317  
**Pages 1319 to 1328 not issued**  
AL 20 1315

AL 23. 1317

**UNDERCARRIAGE  
MAIN UNDERCARRIAGE, STARBOARD**

| Ref. No. | Part No.       | Description   | No. off | Matl. Spec.      | Cl. of Equip. | Plate No. |
|----------|----------------|---|---------|------------------|---------------|-----------|
|          |                |   |         |                  | M.R. L.M.     |           |
|          | EA1.40.728     | <b>MAIN, UNDERCARRIAGE, STARBOARD, ASSEMBLY</b>   | 1       | —                | —             |           |
|          | EA1.40.730     | Consisting of—<br><b>LEG, OLEO (LESS WHEEL BRAKE UNIT AND FIXED FAIRING), GROUP</b>               | 1       | —                | —             | U.1       |
|          |                | Consisting of:—   |         |                  |               |           |
| 2168     | EA.6.40.35     | <b>BOLT</b> , special, securing ... ..  | 10      | S.97             | C             | U.1       |
| 4173     | EA1.40.517     | <b>BOLT</b> , special, securing cowl door mechanism to leg (Made from A25/5E)                     | 4       | H.T.S.           | C             | U.2       |
| 4174     | EA1.40.519     | <b>BOLT</b> , special, securing fixed fairing mounting bracket to leg (Made from A25/5G)          | 8       | H.T.S.           | C             |           |
| 27G/4086 | DUNLOP AH.9781 | <b>BRAKE</b> , unit (For spares see AP.4515C, 1641E and 4303B, Vol. 3, Part 1, Sect. 2, Chap. 37) | 1       | —                | A             | U.1       |
| 6849     | EB6.20.730     | <b>FAIRING, FIXED, ASSEMBLY</b> ... ..<br>(Supplied with trim allowance)                          | 1       | —                | B             | U.1       |
|          |                | Spares for:—  |         |                  |               |           |
| 3061     | EA3.20.854     | <b>FAIRING, FIXED, GROUP</b> ... ..   | 1       | —                | B             |           |
|          |                | Spares for:—  |         |                  |               |           |
| 16206    | EA3.20.832     | <b>MEMBER</b> , edge ... ..   | 1       | —                | C             |           |
| 16215    | EA3.20.848     | <b>MEMBER</b> , edge ... ..   | 1       | —                | C             |           |
| 21721    | EA3.20.2870    | <b>PANEL, HINGE, ASSEMBLY</b> ... ..  | 1       | —                | B             |           |
|          |                | Spares for:—  |         |                  |               |           |
|          | EA1.20.1679    | <b>HINGE</b> (Made from 28N/9486785) ... ..   | 1       | —                | LM            |           |
| 3026     | EA1.20.1676    | <b>PANEL</b> , hinge, 16 SWG ... ..   | 1       | L.72             | C             |           |
| 1887     | EA1.40.436     | <b>SPRING</b> ... ..  | 2       | Spring Steel     | C             |           |
| 1413     | EA1.20.6817    | <b>PANEL</b> , access ... ..  | 1       | —                | C             |           |
|          | EA3.20.1627    | <b>SEAL</b> , ½" dia. x 90" long (Make from Ref. 4432)  | 1       | Synthetic rubber | LM            |           |
| 16161    | EA1.20.9368    | <b>STIFFENER</b> ... ..   | 1       | —                | C             |           |
| 5970     | EA6.73.93      | <b>WASHER</b> , special, for flexible pipe, bottom bracket  | 2       | L.72             | C             | U.1       |
| 34713    | EA9.40.60      | <b>LEG, SLIDING OLEO HEAD, GROUP (MOD. 4270)</b>  | 1       | —                | A             |           |
|          |                | Spares for:—  |         |                  |               |           |
| 660      | EA1.40.639     | <b>BRACKET</b> , angle, micro switch mounting, 20 SWG   | 1       | L.72             | C             | U.1       |
| 661      | EA1.40.153     | <b>BUSH</b> , bearing ... ..  | 4       | DTD.462          | C             | U.2       |
| 662      | EA1.40.671     | <b>FINGER</b> , operating micro switch ... ..   | 1       | —                | C             | U.1       |
|          | EA9.40.58      | <b>HEAD, OLEO, GROUP (MOD. 4270)</b> ... ..   | 1       | —                | —             |           |
|          |                | Spares for:—  |         |                  |               |           |
| 663      | EA1.40.89      | <b>BEARING</b> , special, seated ball joint side stay   | 1       | S.11             | C             | U.2       |
| 664      | EA1.40.101     | <b>BUSH</b> , bearing ... ..  | 1       | DTD.412          | C             | U.2       |
| 1438501  | EA9.40.63      | <b>BUSH</b> , pivot (Mod. 4270) ... ..  | 2       | DTD.412          | MR            | U.2       |
| 666      | EA1.40.111     | <b>BUSH</b> , torque, link leg ... ..   | 2       | DTD.412          | C             | U.2       |
| 667      | EA1.40.133     | <b>DISC</b> , sealing, piston dowel plug ... ..   | 2       | L.40             | C             | U.2       |
| 668      | EA1.40.131     | <b>DOWEL</b> , special, piston ... ..   | 2       | S.11             | C             | U.2       |
|          | or             |   |         |                  |               |           |
| 36258    | EA3.03.101     | <b>DOWEL</b> , piston (First repair) ... ..   | 2       | —                | C             |           |
|          | or             |   |         |                  |               |           |
| 36259    | EA3.03.103     | <b>DOWEL</b> , piston (Second repair) ... ..  | 2       | —                | C             |           |

**UNDERCARRIAGE  
MAIN UNDERCARRIAGE, STARBOARD**

| Ref. No.    | Part No.    | 1 | 2 | 3 | 4 | 5 | 6 | Description   | No. off | Matl. Spec.      | Cl. of Equip. | Plate No. |
|-------------|-------------|---|---|---|---|---|---|---|---------|------------------|---------------|-----------|
|             |             |   |   |   |   |   |   |   |         |                  | M.R.          |           |
|             |             |   |   |   |   |   |   |   |         |                  |               | L.M.      |
| 42059       | EA9.40.56   |   |   |   |   |   |   | <b>HEAD</b> , oleo forging (Mod. 4270) ... ..             | 1       | DTD.5094         | A/MR          | U.2       |
| 669         | EA1.40.103  |   |   |   |   |   |   | <b>HOOK</b> , "S" shaped, 6 SWG ... ..                    | 2       | M.S. Wire        | C             | U.2       |
| 20656       | EA1.40.127  |   |   |   |   |   |   | <b>PIPE</b> , stack, assembly ... ..                      | 1       | —                | B/MR          | U.2       |
|             | EA6.40.6    |   |   |   |   |   |   | <b>PISTON, OPERATING, GROUP</b> ... ..                    | 1       | —                | —             | U.2       |
|             |             |   |   |   |   |   |   | Consisting of:—   |         |                  |               |           |
| 683         | EA1.40.61   |   |   |   |   |   |   | <b>BOLT</b> , special, attachment enclosure orifice plate | 3       | S.11             | C             | U.2       |
| 1099        | EEAS.37/22A |   |   |   |   |   |   | <b>NIPPLE</b> , 2 BA ... ..                               | 2       | S.11             | C             | U.2       |
| 670         | EA1.40.647  |   |   |   |   |   |   | <b>PISTON</b> ... ..                                      | 1       | DTD.197          | C             | U.2       |
| 22528       | EA6.40.33   |   |   |   |   |   |   | <b>PLATE</b> , orifice enclosure control ... ..           | 1       | S.11             | C/MR          | U.2       |
| 672         | EA1.40.651  |   |   |   |   |   |   | <b>RING</b> , piston ... ..                               | 1       | —                | C             | U.2       |
|             | EEAS.38/3A  |   |   |   |   |   |   | <b>SPOKE</b> , 2 BA (Make from 28R/6328) ... ..           | 1       | S.11             | LM            | U.2       |
| 12914       | EA1.40.118  |   |   |   |   |   |   | <b>STRUT</b> , piston, main ... ..                        | 1       | T.4              | C             | U.2       |
| 30A/9140209 | †           |   |   |   |   |   |   | <b>WIRE</b> , locking, 20 SWG ... ..                      | QR      | Soft Iron        | C             |           |
| 673         | EA1.40.679  |   |   |   |   |   |   | <b>PLUG</b> , pivot bearing bush retaining ... ..         | 2       | L.40             | C             | U.2       |
| 675         | EA1.40.96   |   |   |   |   |   |   | <b>RING</b> , lower, retaining ball joint ... ..          | 1       | DTD.124          | C             | U.2       |
| 677         | EA1.40.98   |   |   |   |   |   |   | <b>RING</b> , upper, retaining ball joint ... ..          | 1       | DTD.124          | C             | U.2       |
| 678         | EA1.40.155  |   |   |   |   |   |   | <b>RING</b> , sealing at dowel ... ..                     | 2       | Synthetic Rubber | C             | U.2       |
| 679         | EA1.40.625  |   |   |   |   |   |   | <b>SCREW</b> , special, retaining plug dowel seal ... ..  | 2       | L.40             | C             | U.2       |
| 680         | EA1.40.99   |   |   |   |   |   |   | <b>STUD</b> , for retaining rings at ball joint ... ..    | 12      | S.11             | C             | U.2       |
| 681         | EA1.40.105  |   |   |   |   |   |   | <b>TUBE</b> , distance, packing for locking washer ... .. | 1       | L.40             | C             | U.2       |
| 15486       | AGS.2096    |   |   |   |   |   |   | <b>VALVE</b> , charging, hydraulic ... ..                 | 1       | —                | C             | U.2       |
| 682         | EA1.40.149  |   |   |   |   |   |   | <b>WASHER</b> , special, locking, 14 SWG ... ..           | 1       | DTD.124          | C             | U.2       |
|             | EA9.40.62   |   |   |   |   |   |   | <b>LEG, SLIDING, COMPRESSION, GROUP</b> (MOD. 4270)       | 1       | —                | —             | U.2       |
|             |             |   |   |   |   |   |   | Spares for:—  |         |                  |               |           |
| 26640       | EA3.40.201  |   |   |   |   |   |   | <b>BOLT</b> , special, clamp locking (Mod. 2308) ... ..   | 1       | S.95 or S.96     | C             |           |
| 683         | EA1.40.61   |   |   |   |   |   |   | <b>BOLT</b> , special, stud ... ..                        | 6       | S.11             | C             | U.2       |
| 684         | EA1.40.161  |   |   |   |   |   |   | <b>BUSH</b> , bearing, in lug ... ..                      | 2       | DTD.124          | C             | U.2       |
| 2467        | EA3.40.45   |   |   |   |   |   |   | <b>BUSH</b> , bearing ... ..                              | 1       | —                | C             | U.2       |
|             | EA3.40.217  |   |   |   |   |   |   | <b>CLAMP, AXLE, GROUP</b> ... ..                          | 1       | —                | MR            | U.2       |
|             |             |   |   |   |   |   |   | Spares for:—  |         |                  |               |           |
| 21355       | EA3.40.23   |   |   |   |   |   |   | <b>BUSH</b> ... ..  | 1       | L.16             | C             | U.2       |
| 13024       | EA3.40.183  |   |   |   |   |   |   | <b>CLAMP</b> , axle body (Mod. 1999) ... ..               | 1       | —                | C             | U.2       |
| 1753        | EA3.40.19   |   |   |   |   |   |   | <b>LINK</b> , towing ... ..                               | 1       | —                | C             | U.2       |
| 21537       | EA3.40.21   |   |   |   |   |   |   | <b>WASHER</b> , special, tow link ... ..                  | 1       | —                | C             | U.2       |
| 14706       | EA3.40.209  |   |   |   |   |   |   | <b>HOUSING</b> , seals (Mod. 2361) ... ..                 | 1       | L.65             | C             |           |
| 1463        | EA3.40.10   |   |   |   |   |   |   | <b>LEG, SLIDING, C/W INTEGRAL AXLE, ASSEMBLY</b>          | 1       | —                | A             |           |
|             |             |   |   |   |   |   |   | Spares for:—  |         |                  |               |           |
| 6627        | EA3.40.51   |   |   |   |   |   |   | <b>PIN</b> , shear ... ..                                 | 1       | S.65             | C             |           |
| 6500        | EA3.40.53   |   |   |   |   |   |   | <b>SCREW</b> , grub ... ..                                | 1       | S.95             | C             |           |
| 691         | EA3.40.41   |   |   |   |   |   |   | <b>NUT</b> , stop, special ... ..                         | 1       | S.11             | C             | U.2       |
| 32210       | EA3.40.221  |   |   |   |   |   |   | <b>PIN</b> , locking, piston ... ..                       | 3       | S.97             | C             |           |
|             | EA3.40.219  |   |   |   |   |   |   | <b>PISTON</b> , sliding leg ... ..                        | 1       | DTD.197          | —             |           |
| 693         | EA1.40.175  |   |   |   |   |   |   | <b>PLATE</b> , orifice ... ..                             | 1       | S.65             | C             | U.2       |
| 694         | EA1.40.655  |   |   |   |   |   |   | <b>PLUG</b> , sealing (Pre-Mod. 2361) ... ..              | 1       | DTD.683          | C             |           |
| 4701        | EA3.40.203  |   |   |   |   |   |   | <b>PLUG</b> , sealing, (Mod. 2361) ... ..                 | 1       | DTD.683          | C             | U.2       |
| 695         | EA1.40.677  |   |   |   |   |   |   | <b>PLUG</b> , pivot bearing bush retaining ... ..         | 2       | L.40             | C             | U.2       |

**UNDERCARRIAGE**  
**MAIN UNDERCARRIAGE, STARBOARD**

| Ref. No. | Part No.        | Description |   |   |   |   |   | No. off | Matl. Spec.      | Cl. of Equip. | Plate No. |
|----------|-----------------|-------------|---|---|---|---|---|---------|------------------|---------------|-----------|
|          |                 | 1           | 2 | 3 | 4 | 5 | 6 |         |                  | M.R. L.M.     |           |
| 696      | EA1.40.37       |             |   |   |   |   |   | 2       | Synthetic Rubber | —             |           |
| 14703    | EA3.40.213      |             |   |   |   |   |   | 2       | Soft Rubber      | C             | U.2       |
| 12915    | EA1.40.45       |             |   |   |   |   |   | 1       | M.S.             | C             | U.2       |
| 697      | EA1.40.57       |             |   |   |   |   |   | 1       | —                | C             | U.2       |
| 14705    | EA3.40.215      |             |   |   |   |   |   | 2       | Fabric CX.18     | C             | U.2       |
| 21221    | EA1.40.635      |             |   |   |   |   |   | 3       | DTD.138          | C             |           |
| 14700    | EA3.40.207      |             |   |   |   |   |   | 1       | L.64             | C             | U.2       |
| 12913    | EA1.40.657      |             |   |   |   |   |   | 1       | DTD.683          | C             | U.2       |
| 21354    | EA1.40.659      |             |   |   |   |   |   | 1       | DTD.683          | C             |           |
| 698      | EA1.40.661      |             |   |   |   |   |   | 1       | Synthetic Rubber | C             |           |
| 14702    | EA3.40.205      |             |   |   |   |   |   | 1       | Soft Rubber      | C             | U.2       |
| 14704    | EA3.40.211      |             |   |   |   |   |   | 1       | Soft Rubber      | C             | U.2       |
| 700      | EA1.40.167      |             |   |   |   |   |   | 1       | S.L.             | C             |           |
| 701      | EA1.40.39       |             |   |   |   |   |   | 1       | BS.216           | C             | U.2       |
| 702      | EA1.40.43       |             |   |   |   |   |   | 1       | Hard Felt        | C             | U.2       |
| 3631     | EA1.40.27       |             |   |   |   |   |   | 1       | DTD.683          | C             | U.2       |
| 3632     | EA1.40.28       |             |   |   |   |   |   | 1       | DTD.683          | C             | U.2       |
| 703      | EA1.40.67       |             |   |   |   |   |   | 1       | S.11             | C             | U.2       |
| 704      | EA1.40.69       |             |   |   |   |   |   | 1       | S.11             | C             | U.2       |
| 1500     | EA3.40.27       |             |   |   |   |   |   | 1       | S.97             | C             | U.2       |
| 706      | EA1.40.335      |             |   |   |   |   |   | 1       | L.A.             | C             | U.1       |
| 707      | EA1.40.77       |             |   |   |   |   |   | 2       | S.11             | C             | U.2       |
| 708      | EA1.40.139      |             |   |   |   |   |   | 2       | S.11             | C             | U.2       |
| 709      | EA1.40.619      |             |   |   |   |   |   | 2       | L.40             | C             | U.2       |
| 710      | EA1.40.71       |             |   |   |   |   |   | 1       | S.11             | C             | U.2       |
| 711      | EA1.40.73       |             |   |   |   |   |   | 1       | S.11             | C             | U.2       |
| 712      | EA1.40.137      |             |   |   |   |   |   | 1       | M.S.             | C             | U.2       |
| 713      | EA1.40.75       |             |   |   |   |   |   | 2       | DTD.412          | C             | U.2       |
| 714      | EA1.40.79       |             |   |   |   |   |   | 2       | M.S.             | C             | U.2       |
| 715      | EA1.40.83       |             |   |   |   |   |   | 1       | S.11             | C             | U.2       |
| 1514     | EA3.40.29       |             |   |   |   |   |   | 1       | S.96             | C             | U.2       |
| 718      | EA1.40.147      |             |   |   |   |   |   | 2       | DTD.412          | C             | U.2       |
| 1515     | EA3.40.31       |             |   |   |   |   |   | 1       | S.96             | C             | U.2       |
| 521      | EA1.40.467      |             |   |   |   |   |   | 1       | —                | C             | U.2       |
| 522      | EA1.40.465      |             |   |   |   |   |   | 2       | L.40             | C             | U.2       |
|          | EA1.40.529      |             |   |   |   |   |   | 1       | —                | —             | U.2       |
| 27G/2487 | DUNLOP AHM.2576 |             |   |   |   |   |   | 1       | —                | C             |           |
| 27G/2488 | DUNLOP AHM.2578 |             |   |   |   |   |   | 1       | —                | C             |           |
| 27A/3153 | DUNLOP DT.1606  |             |   |   |   |   |   | 1       | —                | A             | U.1       |



**UNDERCARRIAGE  
MAIN UNDERCARRIAGE, PORT AND STARBOARD**

| Ref. No.   | Part No.     | Description |                 |             |     |     |     | No. off | Matl. Spec. | Cl. of Equip. | Plate No. |
|--|--------------|-------------|-----------------|-------------|-----|-----|-----|---------|-------------|---------------|-----------|
|  |              | 1           | 2               | 3           | 4   | 5   | 6   |         |             | M.R. L.M.     |           |
| <b>SUMMARY OF STOCK ITEMS USED ON MAIN UNDERCARRIAGE, PORT AND STARBOARD, ASSEMBLY</b> |              |             |                 |             |     |     |     |         |             |               |           |
| 28D/9140638  | A25/4B       | Bolt,       | 4               | BA          | ... | ... | ... | ...     | ...         | C             |           |
| 28D/1010142  | A25/9B       | Bolt,       | 4               | BA          | ... | ... | ... | ...     | ...         | C             |           |
| 28D/9436920  | A25/1C       | Bolt,       | 2               | BA          | ... | ... | ... | ...     | ...         | C             |           |
| 28D/9133011  | A25/2C       | Bolt,       | 2               | BA          | ... | ... | ... | ...     | ...         | C             |           |
| 28D/9133012  | A25/3C       | Bolt,       | 2               | BA          | ... | ... | ... | ...     | ...         | C             |           |
| 28D/9133013  | A25/5C       | Bolt,       | 2               | BA          | ... | ... | ... | ...     | ...         | C             |           |
| 28D/7002428  | A25/6C       | Bolt,       | 2               | BA          | ... | ... | ... | ...     | ...         | C             |           |
| 28D/1011019  | A25/8C       | Bolt,       | 2               | BA          | ... | ... | ... | ...     | ...         | C             |           |
| 28D/9140644  | A25/9C       | Bolt,       | 2               | BA          | ... | ... | ... | ...     | ...         | C             |           |
| 28D/9453970  | A25/15C      | Bolt,       | 2               | BA          | ... | ... | ... | ...     | ...         | C             |           |
| 28D/1206739  | A25/4J       | Bolt,       | $\frac{3}{8}$ " | BSF         | ... | ... | ... | ...     | ...         | C             |           |
| 28D/1011299  | A25/6J       | Bolt,       | $\frac{3}{8}$ " | BSF         | ... | ... | ... | ...     | ...         | C             |           |
| 28D/1011310  | A25/8L       | Bolt,       | $\frac{1}{8}$ " | BSF         | ... | ... | ... | ...     | ...         | C             |           |
| 28D/1212690  | A25/15L      | Bolt,       | $\frac{1}{8}$ " | BSF         | ... | ... | ... | ...     | ...         | C             |           |
| 28D/1212688  | A25/18L      | Bolt,       | $\frac{1}{8}$ " | BSF         | ... | ... | ... | ...     | ...         | C             |           |
| 28D/1007285  | AS.1242/1B   | Bolt,       | 4               | BA          | ... | ... | ... | ...     | ...         | C             |           |
| 28D/1215078  | AS.1246/5C   | Bolt,       | 2               | BA          | ... | ... | ... | ...     | ...         | C             |           |
| 28N/9156370  | SP.21        | Nipple,     |                 | lubricating | ... | ... | ... | ...     | ...         | C             |           |
| 28M/1011001  | A24/NS       | Nut,        | $\frac{1}{2}$ " | BSF         | ... | ... | ... | ...     | ...         | C             |           |
| 28M/9403519  | A27/BP       | Nut,        | 4               | BA          | ... | ... | ... | ...     | ...         | C             |           |
| 28M/9403520  | A27/CP       | Nut,        | 2               | BA          | ... | ... | ... | ...     | ...         | C             |           |
| 28M/1011470  | A27/GT       | Nut,        | $\frac{1}{8}$ " | BSF         | ... | ... | ... | ...     | ...         | C             |           |
| 28M/1011476  | A27/JS       | Nut,        | $\frac{3}{8}$ " | BSF         | ... | ... | ... | ...     | ...         | C             |           |
| 28M/13259  | A27/NS       | Nut,        | $\frac{1}{2}$ " | BSF         | ... | ... | ... | ...     | ...         | C             |           |
| 28M/13590  | A27/SS       | Nut,        | $\frac{1}{2}$ " | BSF         | ... | ... | ... | ...     | ...         | C             |           |
| 28M/1278190  | AGS.2001/C/1 | Nut,        | stiff,          | 2 BA        | ... | ... | ... | ...     | ...         | C             |           |
| 28M/12050  | AGS.2007/C/3 | Nut,        | plate,          | 2 BA        | ... | ... | ... | ...     | ...         | C             |           |
| 28P/19157  | SP.90/G10    | Pin,        |                 | split       | ... | ... | ... | ...     | ...         | C             |           |
| 28P/1207   | AGS.166/3    | Pin,        |                 | split       | ... | ... | ... | ...     | ...         | C             |           |
| 28P/19241  | SP.90/G16    | Pin,        |                 | split       | ... | ... | ... | ...     | ...         | C             |           |
| 28P/9486478  | SP.90/C5     | Pin,        |                 | split       | ... | ... | ... | ...     | ...         | C             |           |
| 28P/9527619  | SP.90/C7     | Pin,        |                 | split       | ... | ... | ... | ...     | ...         | C             |           |
| 28P/1011034  | SP.9/E12     | Pin,        |                 | split       | ... | ... | ... | ...     | ...         | C             |           |
| 28P/20112  | SP.90/K20    | Pin,        |                 | split       | ... | ... | ... | ...     | ...         | C             |           |
| 28S/1200034  | A31/B16      | Screw,      | 4               | BA          | ... | ... | ... | ...     | ...         | C             |           |
| 28S/9437020  | A31/C12      | Screw,      | 2               | BA          | ... | ... | ... | ...     | ...         | C             |           |
| 28F/9435713  | A31/C20      | Screw,      | 2               | BA          | ... | ... | ... | ...     | ...         | C             |           |
| 28W/9419466  | SP.13/J      | Washer      |                 | ...         | ... | ... | ... | ...     | ...         | C             |           |
| 28W/9419474  | SP.15/B      | Washer      |                 | ...         | ... | ... | ... | ...     | ...         | C             |           |
| 28W/9419475  | SP.15/C      | Washer      |                 | ...         | ... | ... | ... | ...     | ...         | C             |           |
| 28W/9416642  | SP.47/B      | Washer,     |                 | spring      | ... | ... | ... | ...     | ...         | C             |           |
| 28W/9416643  | SP.47/C      | Washer,     |                 | spring      | ... | ... | ... | ...     | ...         | C             |           |
| 28W/9416644  | SP.47/E      | Washer,     |                 | spring      | ... | ... | ... | ...     | ...         | C             |           |

| Ref. No. | Part No. | 1 | 2 | 3 | 4 | 5 | 6 | No.<br>off | Matl. Spec. | Cl. of<br>Equip.<br>M.R.<br>L.M. | Plate<br>No. |
|----------|----------|---|---|---|---|---|---|------------|-------------|----------------------------------|--------------|
|          |          |   |   |   |   |   |   |            |             |                                  |              |

**UNDERCARRIAGE  
NOSEWHEEL**

| Ref. No. | Part No.    | Description   | No. Off | Matl Spec. | Cl. of Equip. | Plate No. |
|----------|-------------|---|---------|------------|---------------|-----------|
|          |             |   |         |            | M.R. L.M.     |           |
|          | E.A9.40.1   | <b>NOSEWHEEL, ASSEMBLY (MOD. 1740)</b> ... ..<br>Spares for:—                                   | 1       | —          | —             |           |
| 22055    | E.A9.40.15  | <b>BLOCK</b> , flexible hose support ... ..   | 2       | LFS.21     | C             | U.6       |
| 161      | E.A1.40.451 | <b>BOLT</b> , special, c/w spoke and nut, radius rod, strut bearing                             | 1       | —          | C             | U.6       |
| 22373    | E.A9.40.19  | <b>BOLT</b> , special, connecting operating jack to undercarriage locking lever (Pre-Mod. 2704) | 1       | S.96       | C             |           |
| 32172    | E.A9.40.21  | <b>BOLT</b> , special, connecting operating jack to undercarriage locking lever (Mod. 2704)     | 1       | S.96       | C             |           |
| 163      | E.A1.40.491 | <b>BOLT</b> , special, nosewheel door "up" latch ... ..   | 1       | S.11       | C             | U.4       |
| 164      | E.A1.40.493 | <b>BOLT</b> , special, nosewheel door "up" catch ... ..   | 1       | S.11       | C             | U.6       |
| 4507     | E.A3.40.139 | <b>BOLT</b> , special, jack attachment to crosshead ... ..                                      | 1       | S.11       | C             | U.6       |
| 166      | E.A1.40.581 | <b>BOLT</b> , special, fulcrum, undercarriage door actuating sequence valve                     | 1       | S.11       | C             | U.6       |
| 167      | E.A1.40.593 | <b>BOLT</b> , special, connecting door operating strut to door                                  | 2       | S.11       | C             | U.6       |
| 168      | E.A1.40.595 | <b>BOLT</b> , special, attachment door actuating link to crosshead                              | 2       | S.11       | C             | U.6       |
| 169      | E.A1.40.605 | <b>BOLT</b> , special, hydraulic jack anchor ... ..   | 1       | S.65       | C             | U.6       |
| 3753     | E.A1.40.617 | <b>BOLT</b> , special, adjusting undercarriage door crosshead (Made from 28D/1008145)           | 2       | H.T.S.     | C             | U.6       |
| 170      | E.A1.40.683 | <b>BOLT</b> , special, connecting stay link and undercarriage unit                              | 1       | S.11       | C             | U.4       |
| 22056    | E.A9.40.11  | <b>BOLT</b> , special, nose undercarriage jack hinge ... ..                                     | 1       | S.96       | C             | U.6       |
| 12023    | E.A3.40.159 | <b>BRACKET, UNDERCARRIAGE "UP" HOOK, GROUP</b>  | 1       | —          | B/MR          | U.4       |
| 1439142  | E.A3.40.251 | <b>BRACKET, UNDERCARRIAGE "UP" HOOK, GROUP (MOD. 4449—S.O.O.)</b><br>Consisting of:—            | 1       | —          | B/MR          |           |
|          | E.A1.40.385 | <b>BEAM, BRACKET, LOCKING HOOK, GROUP</b> ... ..<br>Spares for:—                                | 1       | —          | —             | U.4       |
| 20845    | E.A1.40.369 | <b>LUG</b> ... ..   | 1       | L.40       | C/MR          | U.4       |
| 25628    | E.A1.40.377 | <b>PLATE</b> , locking ... ..   | 1       | L.72       | C             | U.4       |
| 171      | E.A1.40.371 | <b>BOLT</b> , special, pivot hook ... ..  | 1       | S.11       | C             | U.4       |
| 12024    | E.A3.40.151 | <b>BOLT</b> , special, for buffer, assembly ... ..  | 2       | —          | C             | U.4       |
| 22251    | E.A1.40.373 | <b>BRACKET</b> , hook suspension ... ..   | 1       | S.11       | C             | U.4       |
| 12025    | E.A3.40.143 | <b>HOOK, UNDERCARRIAGE "UP" LATCH, GROUP</b>  | 1       | —          | B             | U.4       |
| 1439143  | E.A3.40.249 | <b>HOOK, UNDERCARRIAGE "UP" LATCH, GROUP (MOD. 4449—S.O.O.)</b><br>Consisting of:—              | 1       | —          | B             |           |
| 13109    | E.A3.40.147 | <b>BOLT</b> , special ... ..  | 1       | DTD.126A   | C             | U.4       |
|          | E.A1.40.393 | <b>BUSH</b> ... ..  | 1       | DTD.197    | —             | U.4       |
|          | E.A3.40.145 | <b>HOOK</b> , "up" latch ... ..   | 1       | H.T.S.     | —             | U.4       |
|          | E.A3.40.243 | <b>HOOK</b> , "up" latch (Mod. 4449—S.O.O.) ... ..  | 1       | —          | —             |           |
| 20846    | E.A1.40.389 | <b>SCREW</b> , special, hook stop ... ..  | 1       | S.11       | C/MR          | U.4       |
|          | E.A1.40.381 | <b>TUBE</b> , distance, for beam mounting bolts ... ..  | 8       | T.4        | —             | U.4       |
| 174      | E.A1.40.399 | <b>WASHER</b> , special, laminum, at buffer bolts ... ..  | 3       | L.A.       | C             | U.4       |
| 22057    | E.A9.40.13  | <b>CLIP</b> , flexible hose support ... ..  | 2       | L.72       | C             | U.6       |
| 4694     | E.A3.40.93  | <b>CROSSHEAD, NOSEWHEEL DOORS, C/W VALVE TRIP, ASSEMBLY</b><br>Spares for:—                     | 1       | —          | B/MR          | U.6       |
| 5514     | E.A3.40.97  | <b>PIN</b> , roller top ... ..  | 1       | S.11       | C             | U.6       |
| 12926    | E.A3.40.181 | <b>PIN</b> , roller, bottom ... ..  | 1       | S.11       | C             | U.6       |
| 178      | E.A1.40.553 | <b>ROLLER</b> , guide ... ..  | 2       | DTD.683    | C             | U.6       |
| 5515     | E.A1.40.561 | <b>VALVE</b> , trip ... ..  | 1       | —          | C             | U.6       |

**UNDERCARRIAGE  
NOSEWHEEL**

| Ref. No.    | Part No.      | Description   | No. Off | Matl Spec. | Cl. of Equip. | Plate No. |
|-------------|---------------|---|---------|------------|---------------|-----------|
|             |               |   |         |            | M.R.<br>L.M.  |           |
|             |               | 1 2 3 4 5 6   |         |            |               |           |
| 3751        | E.A1.40.567   | <b>LEVER, UNDERCARRIAGE SEQUENCE VALVE, GROUP</b>                                   | 1       | —          | B/MR          | U.6       |
|             |               | Spares for:—  |         |            |               |           |
| 179         | E.A1.40.569   | <b>TAPPET, valve screw</b> ... ..   | 1       | S.11       | C             | U.6       |
| 3754        | E.A1.40.703   | <b>LEVER, BRACKET, UNDERCARRIAGE SEQUENCE VALVE, GROUP</b>                          | 1       | —          | B/MR          | U.4       |
|             |               | Spares for:—  |         |            |               |           |
| 13182       | E.A1.40.709   | <b>BOLT, special, operating lever fulcrum</b> ... ..                                | 1       | S.11       | C             | U.4       |
|             | E.A1.40.573   | <b>LEVER, sequence valve operating</b> ... ..                                       | 1       | DTD.683    | —             | U.4       |
| 179         | E.A1.40.569   | <b>TAPPET, valve screw</b> ... ..   | 1       | S.11       | C             | U.4       |
|             | E.A1.40.711   | <b>WASHER, special, fulcrum bolt</b> ... ..   | 2       | L.40       | —             | U.4       |
| 39181       | E.A9.40.35    | <b>LEVER, micro switch operating, undercarriage (Mod. 2183)</b>                     | 1       | —          | C             | U.4       |
|             |               | Attaching parts for E.A9.40.35:—  |         |            |               |           |
| 28D/9140647 | A25/14C       | <b>Bolt, 2 BA</b> ... ..  | 1       | —          | C             |           |
| 28M/1278190 | AGS.2001/C/1  | <b>Nut, 2 BA</b> ... ..   | 1       | —          | C             |           |
| 4141        | E.A1.45.989   | <b>Shim</b> ... ..  | 2       | Alumn.     | C             | U.4       |
|             | AS.2811/7/023 | <b>Spacer</b> ... ..  | 2       | T.4        | LM            |           |
| 180         | E.A1.40.531   | <b>LINK, DOOR, OPERATING, GROUP</b> ... ..  | 2       | —          | C             | U.6       |
|             |               | Spares for:—  |         |            |               |           |
| 4778        | E.A1.40.535   | <b>BOLT, eye, assembly</b> ... ..   | 2       | —          | C             | U.6       |
| 33793       | E.A1.40.541   | <b>NUT, special (Make from 28M/14533)</b> ... ..                                    | 2       | M.S.       | C             | U.6       |
| 8987        | E.A3.40.169   | <b>MUDGUARD, NOSEWHEEL, ASSEMBLY</b> ... ..   | 1       | —          | B             | U.4       |
|             |               | Consisting of:—   |         |            |               |           |
| 28D/9133012 | A25/3C        | <b>BOLT, 2 BA</b> ... ..  | 12      | H.T.S.     | C             |           |
| 28D/1007974 | AS.1242/1/3C  | <b>BOLT, 2 BA</b> ... ..  | 3       | H.T.S.     | C             |           |
| 28D/1013177 | AS.1242/2E    | <b>BOLT, 1/2" BSF</b> ... ..  | 9       | H.T.S.     | C             |           |
| 5503        | E.A3.40.133   | <b>FLAP, rubber, nosewheel mudguard</b> ... ..                                      | 1       | Shore 40   | C             | U.4       |
| 5504        | E.A3.40.127   | <b>MUDGUARD, nosewheel</b> ... ..   | 1       | L.72       | C             | U.4       |
| 28M/1006473 | A27/CT        | <b>NUT, 2 BA</b> ... ..   | 12      | M.S.       | C             |           |
| 28M/1007403 | A27/ET        | <b>NUT, 1/4" BSF</b> ... ..   | 6       | M.S.       | C             |           |
| 5505        | E.A3.40.131   | <b>NUT, special, shoulder, 1/4" BSF</b> ... ..                                      | 3       | S.95       | C             |           |
| 5506        | E.A3.40.137   | <b>NUT, special, shoulder, 2 BA</b> ... ..  | 3       | S.95       | C             |           |
| 6948        | E.A3.40.165   | <b>STAY, mudguard</b> ... ..  | 1       | —          | C             | U.4       |
| 6949        | E.A3.40.167   | <b>STAY, end, mudguard attachment</b> ... ..  | 3       | DTD.683    | C             | U.4       |
| 20930       | E.A3.40.135   | <b>STRIP, backing</b> ... ..  | 1       | L.72       | C/MR          | U.4       |
| 28W/9419475 | SP.15/C       | <b>WASHER</b> ... ..  | 12      | Alumn.     | C             |           |
| 8988        | E.A3.40.170   | <b>MUDGUARD, NOSEWHEEL, ASSEMBLY</b> ... ..   | 1       | —          | B             | U.4       |
|             |               | Spares for this assembly are identical with those for Part No. E.A3.40.169          |         |            |               |           |
| 28N/9156370 | SP.21         | <b>NIPPLE, lubricating</b> ... ..   | 1       | —          | C             |           |
| 181         | E.A1.40.449   | <b>PIN, strut pivot, radius rod bearing</b> ... ..                                  | 1       | S.65       | C             | U.6       |
| 3688        | E.A6.40.37    | <b>ROD, RADIUS, GROUP</b> ... ..  | 1       | —          | A             | U.5       |
| 1439144     | E.A3.40.261   | <b>ROD, RADIUS, GROUP (MOD. 4449—S.O.O.)</b> ... ..                                 | 1       | —          | A             |           |
|             |               | Consisting of:—   |         |            |               |           |
| 34309       | E.A9.40.47    | <b>BOLT, special, operating lever bearing (Mod. 3487)</b>                           | 1       | S.96       | C             | U.5       |
| 4447        | E.A1.40.321   | <b>BOLT, special, bearing for undercarriage "up" micro switch, operating finger</b> | 1       | DTD.126A   | C             | U.5       |
| 184         | E.A1.40.681   | <b>BOLT, special, connecting radius rod and stay link</b>                           | 1       | S.11       | C             | U.5       |
| 5126        | E.A3.40.77    | <b>BRACKET, micro switch</b> ... ..   | 1       | L.72       | C             | U.5       |
| 1439148     | E.A3.40.255   | <b>BRACKET, micro switch (Mod. 4449—S.O.O.)</b> ... ..                              | 1       | —          | C             |           |

**UNDERCARRIAGE  
NOSEWHEEL**

| Ref. No.    | Part No. | Description     |   |   |   |   |   | No. Off | Matl Spec. | Cl. of Equip.<br>M.R.<br>L.M. | Plate No. |     |
|-------------|----------|-----------------|---|---|---|---|---|---------|------------|-------------------------------|-----------|-----|
|             |          | 1               | 2   | 3 | 4 | 5 | 6 |         |            |                               |           |     |
| 28N/2001540 | 3656     | E.A3.40.65      | BUSH, spring plunger ... ..   |   |   |   |   |         | 1          | DTD.197                       | C         | U.5 |
|             |          | AGS.2031/4      | CIRCLIP, "Seegar", external dia. $\frac{3}{8}$ ", for under-carriage hook latch spindle |   |   |   |   |         | 2          | —                             | C         |     |
|             | 186      | E.A1.40.621     | DOWEL, special ... ..   |   |   |   |   |         | 2          | S.11                          | C         | U.5 |
|             | 1893     | E.A6.40.21      | END PLUG RADIUS ROD, GROUP ... ..   |   |   |   |   |         | 1          | —                             | B         | U.5 |
|             |          |                 | Spares for:—  |   |   |   |   |         |            |                               |           |     |
| 28N/9156370 | 187      | E.A1.40.363     | BUSH, bearing ... ..  |   |   |   |   |         | 1          | DTD.197                       | C         | U.5 |
|             |          | SP.21           | NIPPLE, lubricating ... ..  |   |   |   |   |         | 1          | —                             | C         |     |
|             | 4937     | E.A1.40.311     | FINGER, operating undercarriage "up" micro switch                                       |   |   |   |   |         | 1          | L.40                          | C         | U.5 |
|             | 1894     | E.A6.40.29      | FORK, strut end ... ..  |   |   |   |   |         | 1          | DTD.683                       | C         | U.5 |
|             | 3655     | E.A3.40.73      | HOUSING, spring locking plunger ... ..  |   |   |   |   |         | 1          | L.40                          | C         | U.5 |
|             | 41255    | E.A9.40.49      | LEVER, LOCKING, NOSEWHEEL UNDER-CARRIAGE, GROUP (MOD. 3487)                             |   |   |   |   |         | 1          | —                             | B         | U.5 |
|             |          |                 | Spares for:—  |   |   |   |   |         |            |                               |           |     |
|             | 188      | E.A1.40.343     | BOLT, special ... ..  |   |   |   |   |         | 1          | S.11                          | C         | U.5 |
|             | 189      | E.A1.40.345     | BOLT, special ... ..  |   |   |   |   |         | 1          | S.11                          | C         | U.5 |
| 28N/9156370 | 190      | E.A1.40.337     | BUSH, bearing ... ..  |   |   |   |   |         | 2          | DTD.197                       | C         | U.5 |
|             |          | SP.21           | NIPPLE, lubricating ... ..  |   |   |   |   |         | 1          | —                             | C         | U.5 |
|             | 191      | E.A1.40.341     | ROLLER, assembly ... ..   |   |   |   |   |         | 1          | —                             | C         | U.5 |
|             | 192      | E.A1.40.339     | ROLLER, assembly ... ..   |   |   |   |   |         | 1          | —                             | C         | U.5 |
|             | 549      | EEAS.5          | WASHER, for grease nipple (only required when locking lever unit is modified)           |   |   |   |   |         | 1          | BSS.216                       | C         | U.5 |
|             | 1889     | E.A6.40.23      | LINK, STAY, NOSEWHEEL UNDERCARRIAGE AT RADIUS ROD, GROUP                                |   |   |   |   |         | 1          | —                             | C         | U.5 |
|             |          |                 | Spares for:—  |   |   |   |   |         |            |                               |           |     |
| 28N/9156370 | 194      | E.A1.40.359     | BUSH, bearing ... ..  |   |   |   |   |         | 2          | DTD.197                       | C         | U.5 |
|             | 195      | E.A1.40.361     | BUSH, bearing ... ..  |   |   |   |   |         | 2          | DTD.197                       | C         | U.5 |
| 28N/9156370 |          | SP.21           | NIPPLE, lubricating ... ..  |   |   |   |   |         | 2          | —                             | C         | U.5 |
|             |          | SP.21           | NIPPLE, lubricating ... ..  |   |   |   |   |         | 1          | —                             | C         |     |
|             | 1100     | EEAS.37/24A     | NIPPLE, $\frac{1}{4}$ " BSF ... ..  |   |   |   |   |         | 24         | —                             | C         | U.5 |
|             | 6187     | E.A1.40.415     | PAD, undercarriage "down" micro switch ...  |   |   |   |   |         | 1          | L.40                          | C         | U.5 |
|             | 1439145  | E.A3.40.241     | PAD, undercarriage "down" micro switch (Mod. 4449—S.O.O.)                               |   |   |   |   |         | 1          | L.40                          | C         |     |
|             | 3659     | E.A3.40.75      | PIN, latch ... ..   |   |   |   |   |         | 1          | S.11                          | C         | U.5 |
|             | 197      | E.A1.40.277     | PLATE, stop stay link ... ..  |   |   |   |   |         | 1          | S.11                          | C         | U.5 |
|             | 3657     | E.A3.40.67      | SCREW, cap retaining undercarriage locking plunger                                      |   |   |   |   |         | 1          | L.40                          | C         | U.5 |
|             | 3660     | E.A3.40.71      | SCREW, grub, latch pin and bush retaining ...   |   |   |   |   |         | 1          | S.97                          | C         | U.5 |
|             | 199      | E.A1.40.431     | SPINDLE, hook latch, nosewheel undercarriage stay                                       |   |   |   |   |         | 1          | S.11                          | C         | U.5 |
|             |          | EEAS.38/44      | SPOKE, $\frac{1}{4}$ " BSF (Make from 28R/6330) ... ..                                  |   |   |   |   |         | 12         | S.11                          | LM        | U.5 |
|             | 3658     | E.A3.40.69      | SPRING, compression operating locking plunger 14 SWG                                    |   |   |   |   |         | 1          | Spring Wire                   | C         | U.5 |
|             | 201      | E.A1.40.313     | SPRING, leaf, for micro switch operating finger   |   |   |   |   |         | 1          | Spring Steel                  | C         | U.5 |
|             | 1439146  | E.A3.40.259     | SPRING, leaf, for micro switch operating finger (Mod. 4449—S.O.O.)                      |   |   |   |   |         | 1          | S.513                         | C         |     |
| 5CW/9504373 |          | BURGESS MS.5752 | SWITCH, micro, undercarriage "up" lock (Mod. 3562) (Pre-Mod. 4080)                      |   |   |   |   |         | 1          | —                             | C         |     |
| 5CW/1085884 |          | HONEYWELL 1H.Y1 | SWITCH, limit, undercarriage "up" lock (Mod. 4080)                                      |   |   |   |   |         | 1          | —                             | B         |     |
|             |          |                 | Attaching parts for switches:—  |   |   |   |   |         |            |                               |           |     |
| 28D/1011011 |          | A25/8B          | Bolt, 4 BA ... ..   |   |   |   |   |         | 2          | —                             | C         |     |
| 28M/1278189 |          | AGS.2001/B/1    | Nut, 4 BA ... ..  |   |   |   |   |         | 2          | —                             | C         |     |
| 28W/9419474 |          | SP.15/B         | Washer, 4 BA ... ..   |   |   |   |   |         | 2          | —                             | C         |     |

**UNDERCARRIAGE  
NOSEWHEEL**

| Ref. No.    | Part No.  | 1 | 2 | 3 | 4 | 5 | 6 | Description   | No. Off | Matl Spec.   | Cl. of Equip. | Plate No. |
|-------------|---|---|---|---|---|---|---|---|---------|--------------|---------------|-----------|
|             |   |   |   |   |   |   |   |   |         |              | M.R. L.M.     |           |
| 5CW/12444   | DOWTY<br>DN1322Z MK.2   |   |   |   |   |   |   | <b>SWITCH</b> , limit, undercarriage "up" lock (Mod. 4449—S.O.O.) (Pre-Mod. 4959)   | 1       | —            | B             |           |
| 5CW/13598   | DN1322Z MK.3  |   |   |   |   |   |   | <b>SWITCH</b> , limit, undercarriage "up" lock (Mod. 4959)                          | 1       | —            | B             |           |
| 5CW/6672    | BURGESS<br>MS.5750  |   |   |   |   |   |   | <b>SWITCH</b> , micro, undercarriage "down" lock (Mod. 3562) (Pre-Mod. 4080)        | 1       | —            | C             |           |
| 5CW/1085884 | HONEYWELL<br>1H.Y1  |   |   |   |   |   |   | <b>SWITCH</b> , limit, undercarriage "down" lock (Mod. 4080)                        | 1       | —            | B             |           |
| 5CW/12444   | DOWTY<br>DN1322Z MK.2   |   |   |   |   |   |   | <b>SWITCH</b> , limit, undercarriage "down" lock (Mod. 4449—S.O.O.) (Pre-Mod. 4959) | 1       | —            | B             |           |
| 5CW/13598   | DN1322Z MK.3  |   |   |   |   |   |   | <b>SWITCH</b> , limit, undercarriage "down" lock (Mod. 4959)                        | 1       | —            | B             |           |
| 28D/1214303 | AS.1242/10B   |   |   |   |   |   |   | Attaching parts for switches:—<br>Bolt, 4 BA ... ..                                 | 2       | —            | C             |           |
| 28M/1278189 | AGS.2001/B/1  |   |   |   |   |   |   | Nut, 4 BA ... ..  | 2       | —            | C             |           |
| 28W/9419474 | SP.15/B   |   |   |   |   |   |   | Washer ... ..   | 2       | —            | C             |           |
| 1895        | E.A.6.40.27   |   |   |   |   |   |   | <b>TUBE</b> , strut nose, undercarriage ... ..                                      | 1       | T.60         | C             | U.5       |
| 6182        | E.A.1.40.309  |   |   |   |   |   |   | <b>TUBE</b> , distance spindle ... ..   | 1       | —            | C             | U.5       |
| 202         | E.A.1.40.325  |   |   |   |   |   |   | <b>WASHER</b> , special, cap ... ..   | 1       | DTD.126A     | C             | U.5       |
| 203         | E.A.1.40.327  |   |   |   |   |   |   | <b>WASHER</b> , special, at operating lever bearing ...                             | 1       | DTD.126A     | C             | U.5       |
| 3748        | E.A.1.40.455  |   |   |   |   |   |   | <b>SCREW</b> , grub, 2 BA, special, strut bearing retaining                         | 1       | S.11         | C/MR          | U.6       |
| 343         | E.A.1.31.277  |   |   |   |   |   |   | <b>SHIM</b> ... ..  | 2       | Alumn.       | C             |           |
|             | or<br>EEAS.27/8/4   |   |   |   |   |   |   |   |         |              |               |           |
| 4141        | E.A.1.45.989  |   |   |   |   |   |   | <b>SHIM</b> ... ..  | 2       | Alumn.       | C             |           |
| 204         | E.A.1.40.599  |   |   |   |   |   |   | <b>SPRING</b> , return undercarriage hook, 14 SWG ...                               | 1       | Spring Steel | C             | U.4       |
| 1439147     | E.A.3.40.245  |   |   |   |   |   |   | <b>SPRING</b> , return, undercarriage hook, 11 SWG (Mod. 4449—S.O.O.)               | 1       | DTD.215      | C             |           |
| 205         | E.A.1.40.601  |   |   |   |   |   |   | <b>SPRING</b> , tension, undercarriage sequence valve, 18 SWG                       | 1       | Spring Steel | C             | U.6       |
| 1587        | E.A.1.40.719  |   |   |   |   |   |   | <b>SPRING</b> ... ..  | 1       | Spring Steel | C             | U.4       |
| 4693        | E.A.3.40.157  |   |   |   |   |   |   | <b>STOP</b> , door jack extension ... ..  | 2       | S.11         | C/MR          | U.6       |
| 992         | E.A.1.40.701  |   |   |   |   |   |   | <b>STOP</b> , sequence valve filter ... ..  | 1       | S.11         | C             | U.6       |
| 39182       | E.A.9.40.37   |   |   |   |   |   |   | <b>TAPPET</b> (Mod. 2183) ... ..  | 1       | S.1          | C             |           |
| 3755        | E.A.1.40.731  |   |   |   |   |   |   | <b>TUBE</b> , distance ... ..   | 1       | M.S.         | C             |           |
| 27A/2655    | DUNLOP<br>KK.2  |   |   |   |   |   |   | <b>TUBE</b> ... ..  | 2       | —            | A             |           |
| 27A/2654    | DUNLOP<br>K.K.E.N.14N   |   |   |   |   |   |   | <b>TYRE</b> , 26" x 6"5 x 14" ... ..  | 2       | —            | A             |           |
|             | or  |   |   |   |   |   |   |   |         |              |               |           |
| 27A/4683    | DUNLOP<br>DR.2565<br>GOODYEAR<br>GA.1202<br>FIRESTONE<br>ZA.297 |   |   |   |   |   |   |   |         |              |               |           |

**UNDERCARRIAGE  
NOSEWHEEL**

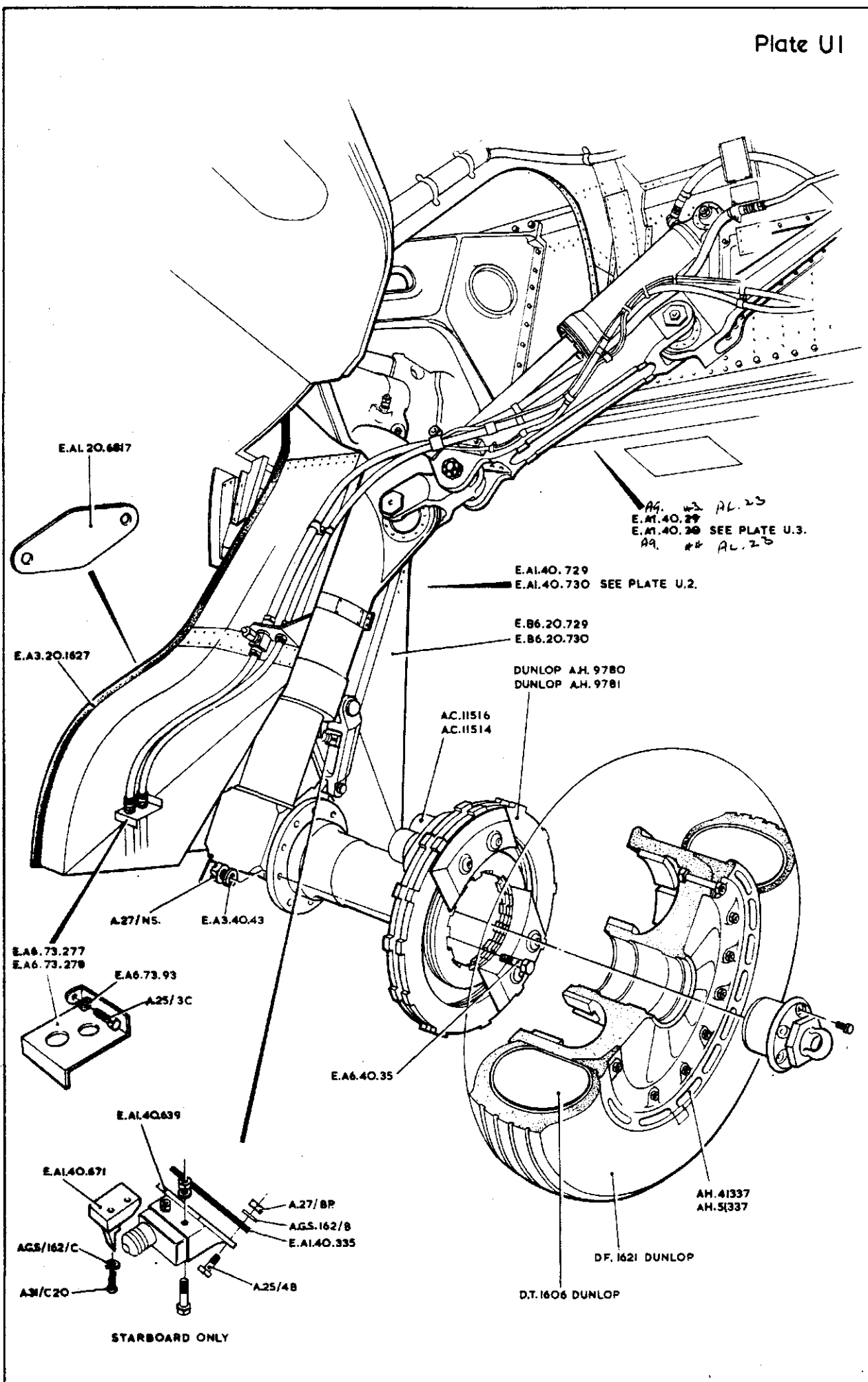
| Ref. No.                      | Part No.             | Description  |   |   |   |   |   | No. Off | Matl Spec. | Cl. of Equip. |      | Plate No. |
|-------------------------------|----------------------|--|---|---|---|---|---|---------|------------|---------------|------|-----------|
|                               |                      | 1  | 2 | 3 | 4 | 5 | 6 |         |            | M.R.          | L.M. |           |
| 27QM/                         | DOWTY<br>2:0039.6040 | <b>UNIT</b> , undercarriage (For spares see A.P.4515B, Vol. 3, Part 1) (Mod. 4855) |   |   |   |   |   | 1       | —          |               | A    |           |
| 202                           | E.A1.40.325          | <b>WASHER</b> , special, cup ... ..  |   |   |   |   |   | 3       | DTD.126A   |               | C    | U.6       |
| 3752                          | E.A1.40.587          | <b>WASHER</b> , special, packing undercarriage sequence valve mounting bolt        |   |   |   |   |   | 2       | DTD.683    |               | C    | U.4       |
| 22329                         | E.A9.40.17           | <b>WASHER</b> , corner ... ..  |   |   |   |   |   | 2       | L.72       |               | C    | U.6       |
| 1877                          | EEAS.28/30EU         | <b>WASHER</b> , special, 18 SWG ... ..   |   |   |   |   |   | 1       | DTD.124    |               | C    |           |
| 1078                          | EEAS.28/35FU         | <b>WASHER</b> , special, sequence valve fulcrum ... ..                             |   |   |   |   |   | 1       | DTD.124    |               | C    |           |
| 27A/2814                      | DUNLOP<br>AH.9590    | <b>WHEEL</b> , landing ... ..  |   |   |   |   |   | 2       | —          |               | A    |           |
| Pages 1353 to 1362 not issued |                      |  |   |   |   |   |   |         |            |               |      |           |

| Ref. No. | Part No. |   |   |   |   |   |   | No. Off | Mach Spec. | Cl. of Equip. | Plate No. |
|----------|----------|---|---|---|---|---|---|---------|------------|---------------|-----------|
|          |          | 1 | 2 | 3 | 4 | 5 | 6 |         |            | M.R.<br>L.M.  |           |
|          |          |   |   |   |   |   |   |         |            |               |           |

UNDERCARRIAGE  
NOSEWHEEL

| Ref. No.   | Part No.     | Description                         | No. off | Mater. Spec. | Cl. of Equip. |      | Plate No. |
|--|--------------|-------------------------------------|---------|--------------|---------------|------|-----------|
|  |              |                                     |         |              | M.R.          | L.M. |           |
|  |              | 1 2 3 4 5 6                         |         |              |               |      |           |
| <b>SUMMARY OF STOCK ITEMS USED ON NOSEWHEEL ASSEMBLY</b> |              |                                     |         |              |               |      |           |
| 28D/1011011  | A25/8B       | Bolt, 4 BA                          | ...     | ...          | ...           | ...  | ...       |
| 28D/1200120  | A25/14B      | Bolt, 4 BA                          | ...     | ...          | ...           | ...  | ...       |
| 28D/9436920  | A25/1C       | Bolt, 2 BA                          | ...     | ...          | ...           | ...  | ...       |
| 28D/9133011  | A25/2C       | Bolt, 2 BA                          | ...     | ...          | ...           | ...  | ...       |
| 28D/9133012  | A25/3C       | Bolt, 2 BA                          | ...     | ...          | ...           | ...  | ...       |
| 28D/9140647  | A25/14C      | Bolt, 2 BA                          | ...     | ...          | ...           | ...  | ...       |
| 28D/1012995  | A25/22C      | Bolt, 2 BA                          | ...     | ...          | ...           | ...  | ...       |
| 28D/9140649  | A25/23C      | Bolt, 2 BA                          | ...     | ...          | ...           | ...  | ...       |
| 28D/1011240  | A25/5E       | Bolt, 1/2" BSF                      | ...     | ...          | ...           | ...  | ...       |
| 28D/1008145  | A25/6E       | Bolt, 1/2" BSF                      | ...     | ...          | ...           | ...  | ...       |
| 28D/1011242  | A25/7E       | Bolt, 1/2" BSF                      | ...     | ...          | ...           | ...  | ...       |
| 28D/1010031  | A25/8E       | Bolt, 1/2" BSF                      | ...     | ...          | ...           | ...  | ...       |
| 28D/12282  | AS.1242/10B  | Bolt, 4 BA                          | ...     | ...          | ...           | ...  | ...       |
| 28M/9403519  | A27/BP       | Nut, 4 BA                           | ...     | ...          | ...           | ...  | ...       |
| 28M/9403520  | A27/CP       | Nut, 2 BA                           | ...     | ...          | ...           | ...  | ...       |
| 28M/1006473  | A27/CT       | Nut, 2 BA                           | ...     | ...          | ...           | ...  | ...       |
| 28M/12928  | A27/EP       | Nut, 1/2" BSF                       | ...     | ...          | ...           | ...  | ...       |
| 28M/1011467  | A27/ES       | Nut, 1/2" BSF                       | ...     | ...          | ...           | ...  | ...       |
| 28M/12931  | A27/ET       | Nut, 1/2" BSF                       | ...     | ...          | ...           | ...  | ...       |
| 28M/1006939  | A27/GP       | Nut, 5/8" BSF                       | ...     | ...          | ...           | ...  | ...       |
| 28M/13122  | A27/GS       | Nut, 5/8" BSF                       | ...     | ...          | ...           | ...  | ...       |
| 28M/1011470  | A27/GT       | Nut, 5/8" BSF                       | ...     | ...          | ...           | ...  | ...       |
| 28M/1011476  | A27/JS       | Nut, 5/8" BSF                       | ...     | ...          | ...           | ...  | ...       |
| 28M/9129449  | A27/LS       | Nut, 5/8" BSF                       | ...     | ...          | ...           | ...  | ...       |
| 28M/13266  | A24/ES       | Nut, 1/2" BSF                       | ...     | ...          | ...           | ...  | ...       |
| 28M/1011001  | A24/NS       | Nut, 1/2" BSF                       | ...     | ...          | ...           | ...  | ...       |
| 28M/10287  | AGS.2001/B/1 | Nut, stiff, 4 BA                    | ...     | ...          | ...           | ...  | ...       |
| 28M/10288  | AGS.2001/C/1 | Nut, stiff, 2 BA                    | ...     | ...          | ...           | ...  | ...       |
| 28M/10290  | AGS.2001/E/1 | Nut, stiff, 1/2" BSF                | ...     | ...          | ...           | ...  | ...       |
| 28M/10292  | AGS.2001/J/1 | Nut, stiff, 1/2" BSF                | ...     | ...          | ...           | ...  | ...       |
| 28M/10339  | AGS.2002/C/2 | Nut, stiff, 2 BA                    | ...     | ...          | ...           | ...  | ...       |
| 28P/1007741  | SP.9/C8      | Pin, split, 3/8" dia. x 1" long     | ...     | ...          | ...           | ...  | ...       |
| 28P/9429652  | SP.9/E10     | Pin, split, 3/8" dia. x 1 1/2" long | ...     | ...          | ...           | ...  | ...       |
| 28P/9429653  | SP.9/G12     | Pin, split, 1/2" dia. x 1 1/2" long | ...     | ...          | ...           | ...  | ...       |
| 28S/9437020  | A31/C12      | Screw, 2 BA                         | ...     | ...          | ...           | ...  | ...       |
| 28S/9997545  | A31/C16      | Screw, 2 BA                         | ...     | ...          | ...           | ...  | ...       |
| 28S/9416378  | A35/C8       | Screw, 2 BA                         | ...     | ...          | ...           | ...  | ...       |
| 28W/9419402  | SP.13/C      | Washer                              | ...     | ...          | ...           | ...  | ...       |
| 28W/9419403  | SP.13/E      | Washer                              | ...     | ...          | ...           | ...  | ...       |
| 28W/9419404  | SP.13/G      | Washer                              | ...     | ...          | ...           | ...  | ...       |
| 28W/9419467  | SP.13/L      | Washer                              | ...     | ...          | ...           | ...  | ...       |
| 28W/9419474  | SP.15/B      | Washer                              | ...     | ...          | ...           | ...  | ...       |
| 28W/9419475  | SP.15/C      | Washer                              | ...     | ...          | ...           | ...  | ...       |
| 28W/9419405  | SP.15/E      | Washer                              | ...     | ...          | ...           | ...  | ...       |
| 28W/9419478  | SP.15/L      | Washer                              | ...     | ...          | ...           | ...  | ...       |
| 28W/9419489  | SP.16/J      | Washer                              | ...     | ...          | ...           | ...  | ...       |
| 28W/9416442  | SP.47/B      | Washer, spring                      | ...     | ...          | ...           | ...  | ...       |
| 28W/9416643  | SP.47/C      | Washer, spring                      | ...     | ...          | ...           | ...  | ...       |
| 28W/9416644  | SP.47/E      | Washer, spring                      | ...     | ...          | ...           | ...  | ...       |
| 28W/1006499  | SP.55/C      | Washer, spring                      | ...     | ...          | ...           | ...  | ...       |

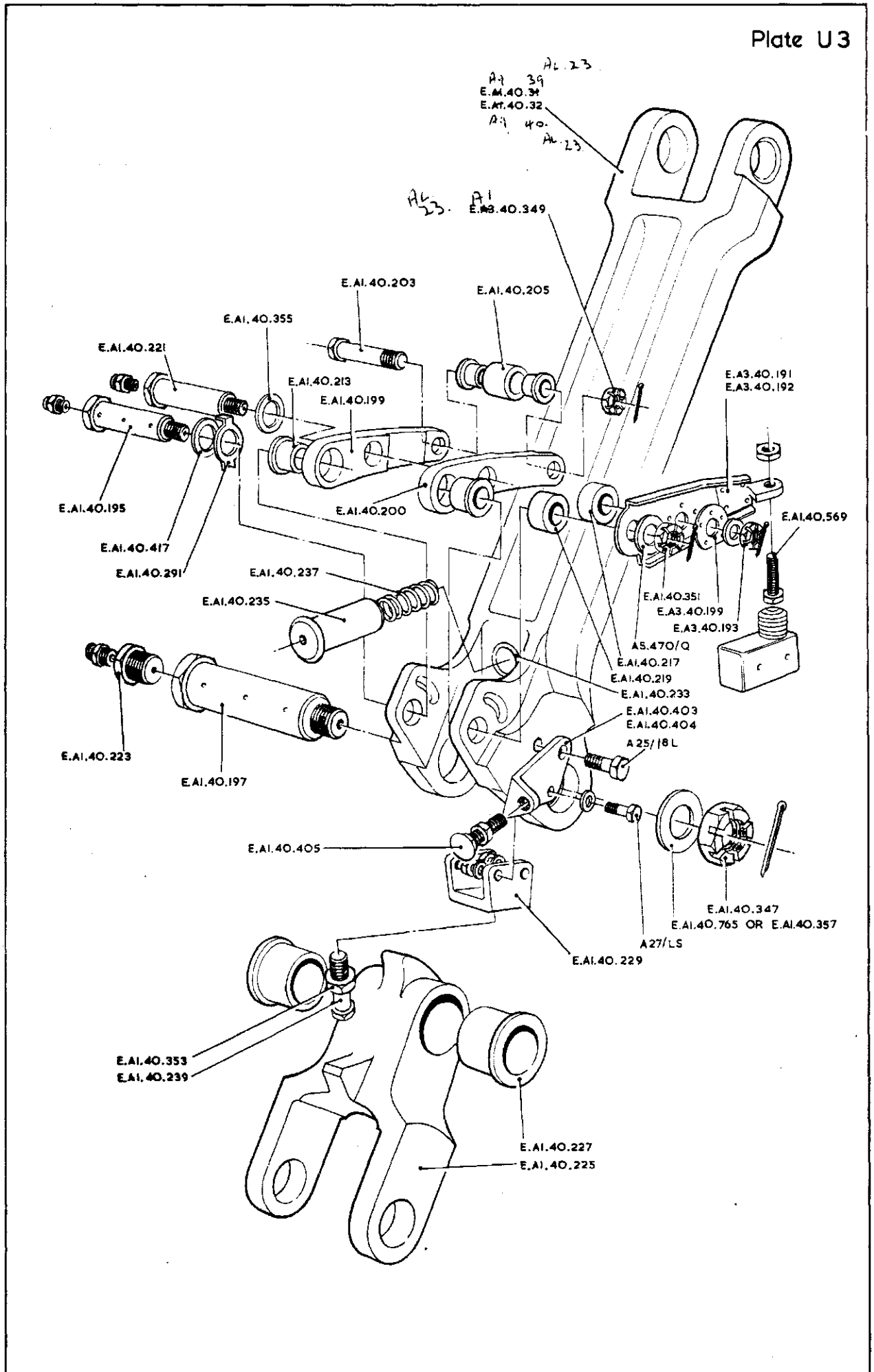
Plate UI



MAIN UNDERCARRIAGE

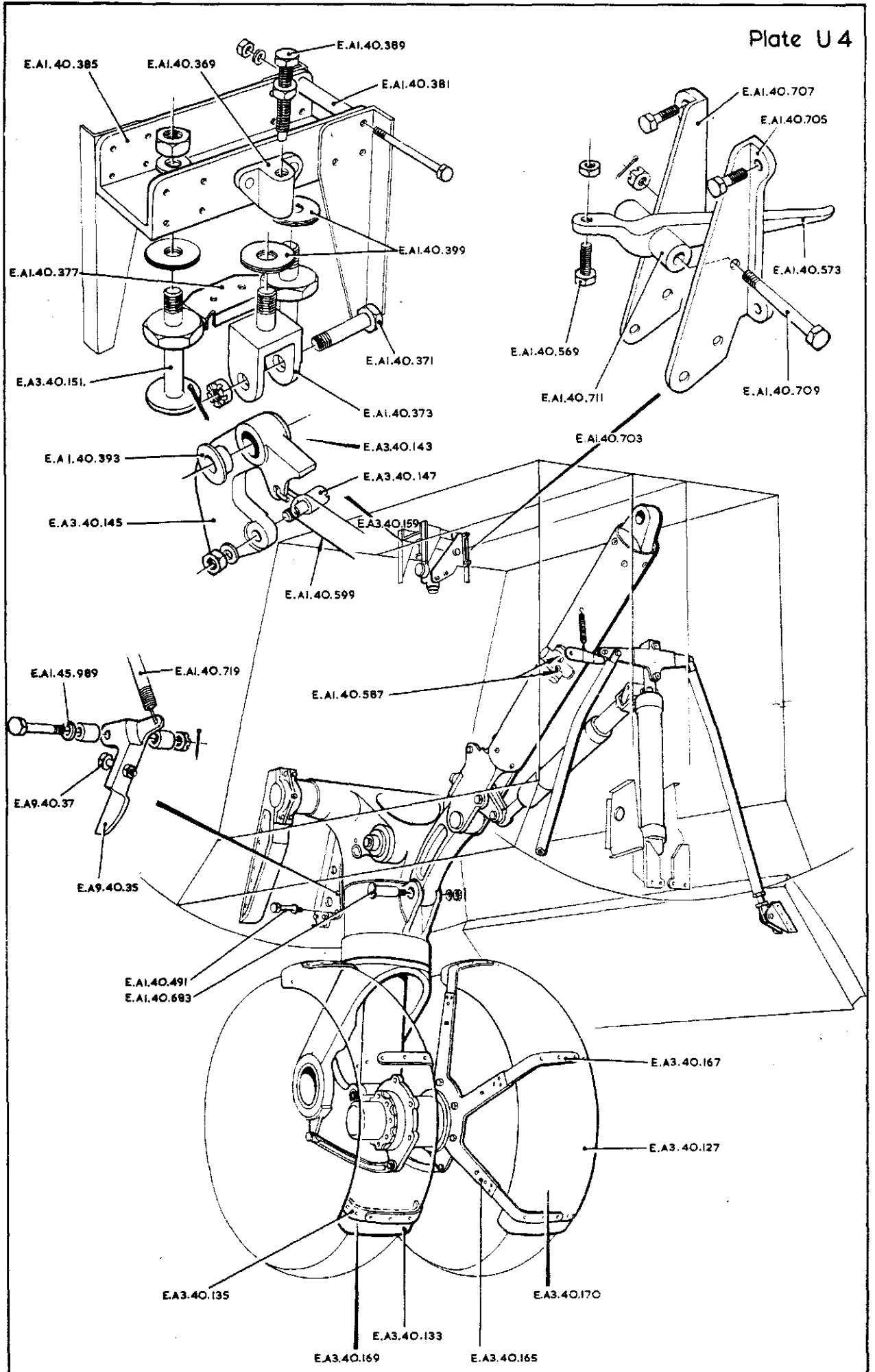


Plate U3



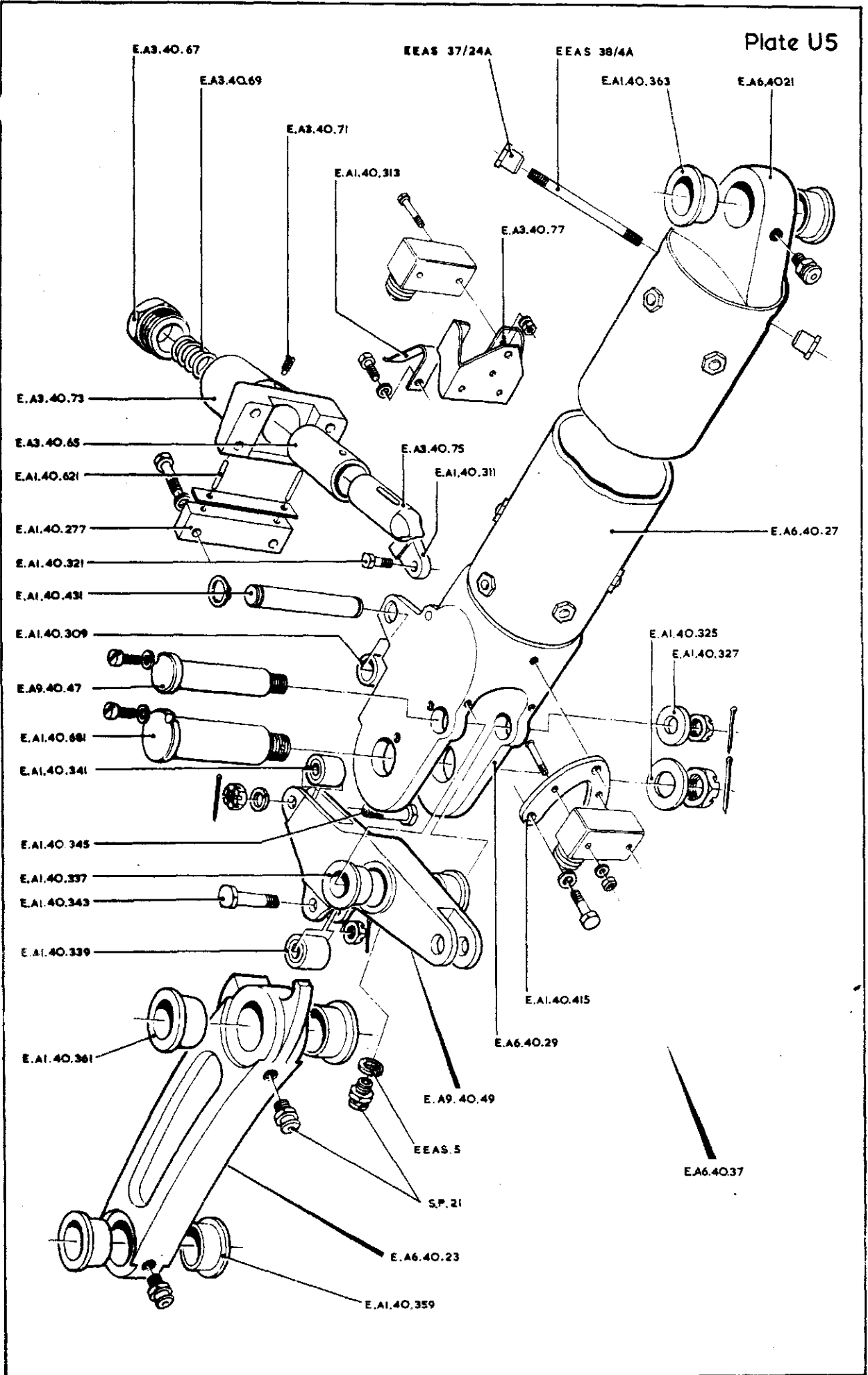
MAIN UNDERCARRIAGE SIDE STAY

Plate U 4

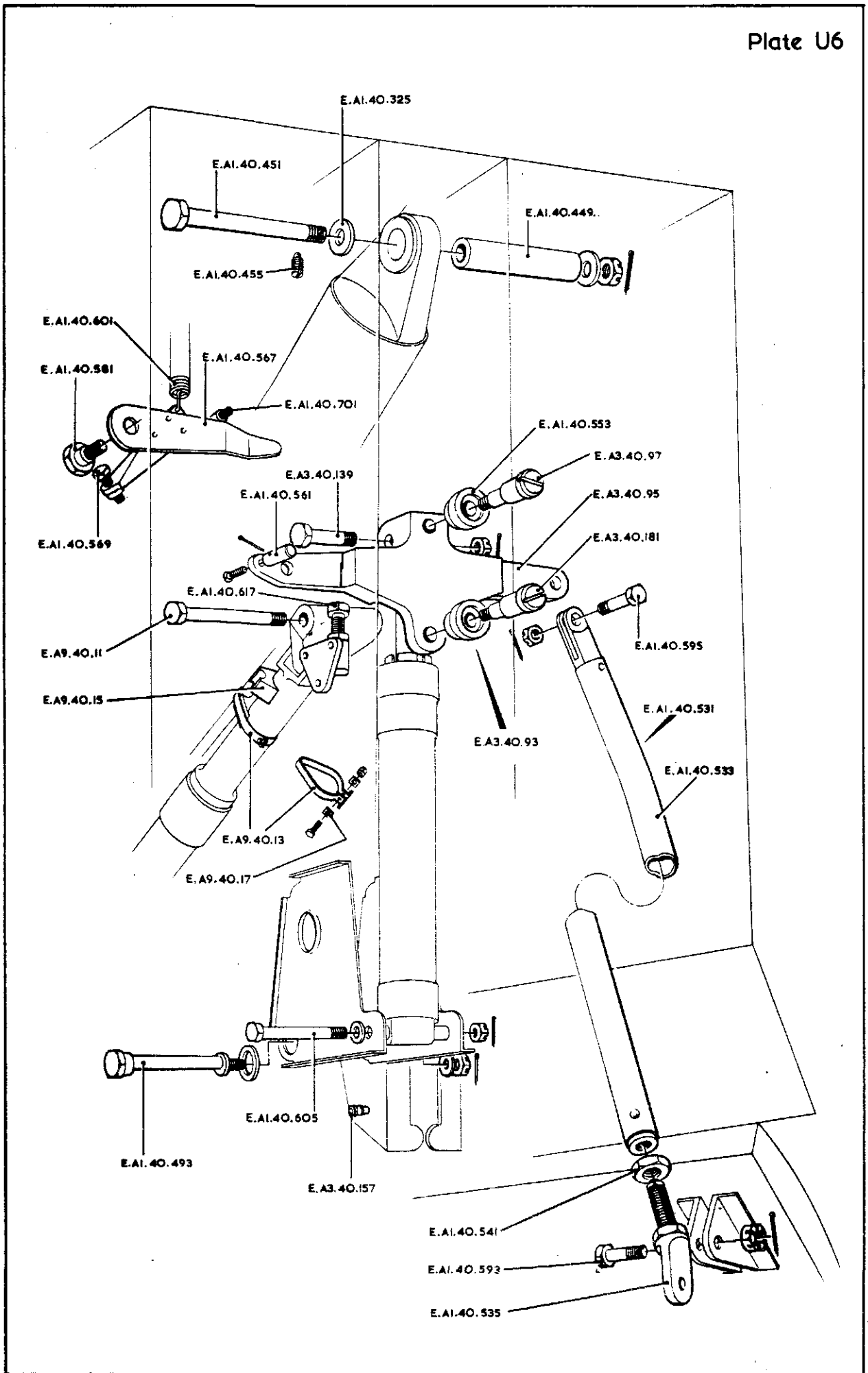


NOSE UNDERCARRIAGE

Plate U5



NOSEWHEEL RADIUS ROD



NOSEWHEEL DOOR MECHANISM

This file was downloaded  
from the RTFM Library.

Link: [www.scottbouch.com/rtfm](http://www.scottbouch.com/rtfm)

Please see site for usage terms,  
and more aircraft documents.

