

**FUSELAGE
CENTRE PORTION**

| Ref. No | Part No. | Description | | | | | | No. off | Matl. Spec. | Cl. of Equip. | | Plate No. |
|-------------|--------------|---|---|---|---|---|---|---------|-----------------|---------------|------|-----------|
| | | 1 | 2 | 3 | 4 | 5 | 6 | | | M.R. | L.M. | |
| | E.B6.00.43 | CENTRE FUSELAGE ASSEMBLY (PRE-MOD. 1010) ... | | | | | | — | — | — | | |
| | | Spares for:— | | | | | | | | | | |
| | E.B6.75.5 | Cabin, Pressure System (See page 897) ... | | | | | | — | — | — | | |
| | E.B6.75.571 | Camera, Bipe Run, Assembly (See page 949) ... | | | | | | — | — | — | | |
| | | (Make 3427) | | | | | | | | | | |
| | E.A3.45.379 | Controls, Flying (See page 137) ... | | | | | | — | — | — | | |
| | E.A1.47.125 | Controls, Engine (See page 43) ... | | | | | | — | — | — | | |
| | E.B6.81.7 | Electrical Equipment (See page 257) ... | | | | | | — | — | — | | |
| | E.A1.60.1 | Fire Protection System (Pre-Mod. 2614) ... | | | | | | — | — | — | | |
| | | (See page 1001) | | | | | | | | | | |
| | E.B6.60.1 | Fire Protection System (Mod. 2614) (See page 1002) | | | | | | — | — | — | | |
| | E.A3.57.67 | Fuel System (See page 1071) ... | | | | | | — | — | — | | |
| | E.A1.45.923 | GFAR, EMERGENCY RELEASE, BOMB DOOR AND UNDERCARRIAGE, GROUP | | | | | | 1 | — | — | | |
| | | Spares for:— | | | | | | | | | | |
| 7809 | E.A3.45.281 | CABLE, AFT CONTROL, EMERGENCY RELEASE GEAR, UNDERCARRIAGE, GROUP | | | | | | 1 | — | B/MR | | |
| | | Consisting of:— | | | | | | | | | | |
| 28U/4063 | SP.8Y/13 | Roller ... | | | | | | 2 | — | C | F.1 | |
| | E.A1.45.905 | Tubing, 1/2" dia. x 20 SWG (Make from Ref. 300 11786) | | | | | | 1 | T.4 | LM | | |
| 28X/3495 | + | Wire, rope, 5/16" ... | | | | | | 1 | W9/4 | C | F.1 | |
| 7810 | E.A3.45.283 | CABLE, AFT CONTROL, EMERGENCY RELEASE GEAR BOMB DOOR, GROUP | | | | | | 1 | — | B/MR | | |
| | | Consisting of:— | | | | | | | | | | |
| | E.A1.45.1129 | Roller, special ... | | | | | | 1 | S.1 | — | | |
| 28U/4063 | SP.8Y/13 | Roller ... | | | | | | 1 | — | C | F.1 | |
| 28X/3495 | + | Wire, rope, 5/16" ... | | | | | | 1 | W9/4 | C | F.1 | |
| 7811 | E.A3.45.245 | Fairlead, single, bomb door emergency release gear control valve | | | | | | 1 | DTD.683 or L.40 | C/MR | | |
| 7804 | E.A1.45.879 | Fairlead, single, undercarriage emergency release gear control cable | | | | | | 1 | LFS.21 | C/MR | | |
| 7805 | E.A1.45.1123 | Fairlead, double, bomb door and undercarriage emergency release gear control cables | | | | | | 1 | LFS.21 | C/MR | | |
| 28K/549 | SP.3/412 | Fork joint, undercarriage emergency release gear control cable connecting | | | | | | 1 | — | C | F.1 | |
| 28K/550 | SP.3/412L | Fork joint, undercarriage release gear control cable connecting | | | | | | 1 | — | C | F.1 | |
| 28K/551 | SP.3/413 | Fork joint, bomb door emergency release gear control cable connecting | | | | | | 1 | — | C | F.1 | |
| 28K/552 | SP.3/413L | Fork joint, bomb door emergency release gear control cable connecting | | | | | | 1 | — | C | F.1 | |
| 28P/7002435 | SP.4Y/A3 | Pin, connecting, undercarriage emergency release gear control cable fork joint | | | | | | 2 | — | C | F.1 | |

**FUSELAGE
CENTRE PORTION**

| Ref. No. | Part No. | 1 | 2 | 3 | 4 | 5 | 6 | Description | No. off | Matl. Spec. | Cl. of Equip. | | Plate No. |
|-------------|--------------|---|---|---|---|---|---|---|---------|-------------|---------------|------|-----------|
| | | | | | | | | | | | M.R. | L.M. | |
| 28P/814 | SP.4Y/A4 | | | | | | | Pin, connecting undercarriage and bomb door emergency release gear control cable, at rotary valve | 2 | — | C | | |
| 28P/830 | SP.4YB4 | | | | | | | Pin, connecting bomb door emergency release gear control cable fork joint | 2 | — | C | F.1 | |
| | E.A1.45.859 | | | | | | | PULLEYS, BOMB DOOR AND UNDERCARRIAGE EMERGENCY RELEASE GEAR, ASSEMBLY Spares for:— | — | — | — | | |
| 209 | E.A1.45.839 | | | | | | | Bracket, pulley | 1 | — | C | F.1 | |
| 210 | E.A1.45.841 | | | | | | | Bracket, pulley | 1 | L.72 | C | F.1 | |
| 211 | E.A1.45.843 | | | | | | | Bracket, pulley | 1 | L.72 | C | F.1 | |
| 212 | E.A1.45.1005 | | | | | | | Bracket, pulley | 1 | — | C | F.1 | |
| 7798 | E.A1.45.863 | | | | | | | Fairlead | 1 | LFS.21 | C/MR | | |
| 28R/13498 | AS.1151 | | | | | | | Pulley, c/w shroud | 4 | — | B | F.1 | |
| 28R/13492 | AS.108 | | | | | | | Pulley, c/w shroud | 2 | — | B | F.1 | |
| 2157 | E.A1.45.1311 | | | | | | | Washer, special | 1 | — | C | F.1 | |
| 1518 | EEAS.28/53HR | | | | | | | Washer | 1 | — | C | F.1 | |
| 28U/4051 | SP.8Y/1 | | | | | | | Rod, tension, bomb door emergency release gear cable | 1 | — | C | F.1 | |
| 28U/4052 | SP.8Y/2 | | | | | | | Rod, tension, undercarriage emergency release gear cable | 1 | — | C | F.1 | |
| | E.B4.73.5 | | | | | | | HYDRAULIC, EQUIPMENT (See page 1139) | — | — | — | | |
| | E.A1.83.93 | | | | | | | INSTALLATION OF CAMERA (PRE-MOD. 2197) Spares for:— | — | — | — | | |
| 3616 | E.A1.83.97 | | | | | | | Rail, camera | 2 | T.4 | B | | |
| | E.B4.86.169 | | | | | | | PIPES, PITOT AND STATIC, ASSEMBLY (MOD. 1014) Spares for:— | — | — | — | | |
| 28F/5109 | AGS.838/5 | | | | | | | Bush, rubber union | 11 | — | C | F.1 | |
| 1823 | EEAS.91/2 | | | | | | | Clip, pipe, double, 1/2" o/d. | 2 | L.72 | C | F.1 | |
| 6443 | E.A1.80.891 | | | | | | | Fairlead | 3 | LFS.21 | C/MR | | |
| 7796 | E.A3.80.1455 | | | | | | | Fairlead | 3 | LFS.21 | C/MR | | |
| 28F/1013780 | AGS.838/4 | | | | | | | Nut, union | 11 | — | C | F.1 | |
| 3400 | E.A3.80.1649 | | | | | | | Pipe, drain, reservoir | 2 | L.54 | C | | |
| 28F/5105 | AGS.838/2 | | | | | | | Union, tee body | 3 | — | C | F.1 | |
| 28F/5104 | AGS.838/1 | | | | | | | Union, straight, low pressure | 1 | — | C | F.1 | |
| 5259 | EEAS.21/2ERH | | | | | | | Washer, special | 2 | L.72 | C | F.1 | |
| | E.B4.75.17 | | | | | | | PIPES, COLD AIR UNIT, ACROSS BOMB BAY, AT FRAME 21, ASSEMBLY Spares for:— | — | — | — | | |
| | E.B4.75.213 | | | | | | | Clip, pipe, special | 6 | L.72 | — | | |
| 15182 | E.B4.75.215 | | | | | | | Pipe, assembly, from starboard wing connection to running coupling | 1 | L.56 | C | | |
| 32373 | E.B4.217 | | | | | | | Pipe, assembly, transverse between port and starboard coupling | 1 | L.56 | C | | |
| 15183 | E.B4.75.219 | | | | | | | Pipe, assembly, from running coupling to port wing connection | 1 | L.56 | C | | |

**FUSELAGE
CENTRE PORTION**

| Ref. No | Part No | Description | No. off | Mati. Spec. | Cl. of Equip. | | Plate No. |
|---------|--------------|--|---------|-------------|---------------|------|-----------|
| | | | | | M.R. | L.M. | |
| | | 1 2 3 4 5 6 | | | | | |
| 980 | E.B6.75.597 | Shim, for port and starboard wing connection ... | 2 | Lam. Alum. | — | — | F.1 |
| | EEAS.20/1DR | Tab. locking | 4 | — | — | C | |
| | E.B6.82.7 | Radio and Inter-Comm, Assembly (See page 891) ... | — | — | — | — | |
| | E.B6.11.1521 | Structure, Centre Fuselage (Pre-Mod. 1018) ... (See page 469) | — | — | — | — | |

**FUSELAGE
CENTRE PORTION**

| Ref. No. | Part No. | Description 1 2 3 4 5 6 | No. off | Matl. Spec. | Cl. of Equip. | Plate No |
|-------------|----------------|--|---------|-------------|---------------|----------|
| | | | | | M.R. L.M. | |
| | E.B6.00.49 | CENTRE FUSELAGE, ASSEMBLY (MOD. 1018) ... Spares for this assembly are identical with those for assembly Part No. E.B6.00.43 on page 459 except for the following deletion and additions:— Delete:— | — | — | — | |
| | E.B6.11.1521 | Structure, Centre Fuselage (Pre-Mod. 1018) (See page 469) Add:— | — | — | — | |
| | E.A3.56.453 | INSTALLATION OF 300 GALLON FUEL TANK (MOD. 432) Spares for:— | — | — | — | |
| | E.A3.56.221 | TANK, FUEL, 300 GALLON, ASSEMBLY ... | 1 | — | — | |
| 12601 | E.A3.56.261 | BRACKET AND STRAP, ASSEMBLY ... Spares for:— | 4 | — | B | |
| 12602 | E.A3.56.361 | Bracket, sub-assembly ... | 1 | — | — | F.12 |
| | E.A3.56.363 | Strap, tank ... | 1 | — | C | F.12 |
| | | Attaching parts for E.A3.56.361 and E.A3.56.363:— | | | | |
| | A25/47N | Bolt, 1/2" BSF (Make from 28D/14757) ... | 1 | — | — | |
| | E.A3.56.465 | Bush ... | 2 | — | — | F.12 |
| | E.A3.56.467 | Link, plate ... | 2 | — | — | F.12 |
| 28M/13259 | A27/NS | Nut, 1/2" BSF ... | 1 | — | C | |
| | E.A3.56.463 | Tube, distance ... | 1 | — | — | F.12 |
| 28W/9419468 | SP.13/N | Washer ... | 2 | — | C | |
| | | Attaching parts for E.A3.56.261:— | | | | |
| | A25/38J | Bolt, 3/8" BSF (Make from 28D/12893) ... | 1 | — | — | |
| | A25/38JL | Bolt, 3/8" BSF (Make from 28D/12938) ... | 1 | — | — | |
| 28M/1011476 | A27/JS | Nut, 3/8" BSF ... | 1 | — | C | |
| 28M/13120 | A27/LS | Nut, 3/8" BSF ... | 1 | — | C | |
| 28W/9419466 | SP.13/J | Washer ... | 2 | — | C | |
| 28W/9419467 | SP.13/L | Washer ... | 2 | — | C | |
| | EEAS.164/16/25 | Hose, rubber, 1" i/d x 2"5 long (vent pipe) ... (Make from Ref. 32C/376) | 2 | DTD.625 | LM | F.12 |
| 12603 | E.A3.56.245 | Pipe, assembly, fuel, from non-return valve to fuel cock, starboard side ... | 1 | L54 or L.56 | C | F.11 |
| 12604 | E.A3.56.247 | Pipe, assembly, fuel, from non-return valve to fuel cock, port side ... | 1 | L54 or L.56 | C | F.11 |
| 12606 | E.A3.56.249 | Pipe, assembly, venting, from pipe elbow joint to No. 3 fuel tank junction pipe ... | 1 | L.56 | C | F.12 |
| 12605 | E.A3.56.251 | Pipe, elbow, venting ... | 1 | L.56 | C | F.12 |
| 1444 | EEAS.44/3 | Ring, clamping ... | 4 | L.56 | C | F.12 |
| 12609 | E.A3.56.45 | Screw, trunnion ... | 2 | S.95 | C | F.12 |

**FUSELAGE
CENTRE PORTION**

| Ref. No. | Part No. | Description | No. off | Mati. Spec. | Cl. of Equip. | | Plate No. |
|-------------|----------------|--|---------|-------------|---------------|------|-----------|
| | | | | | M.R. | L.M. | |
| 12592 | E.A3.56.243 | TANK, ASSEMBLY | 1 | — | A | | |
| 26728 | E.A3.81.2527/2 | Spares for:— CABLE, ASSEMBLY, CS.2A, FROM PLUG BRACKET F.24 TO PUMP SUPPRESSORS Consisting of:— | 1 | — | — | | F.11 |
| SX/6757 | EEAS.68/6 | Adaptor, reducing | 2 | — | C | | |
| 5E/4187 | † | Cable, Uninyvin 12 | QR | — | C | | |
| 33H/56 | † | Cement, Bostik | QR | — | C | | |
| SX/1333 | Z.1381/2 | Ferrule, cut | 1 | — | C | | |
| 10H/0970107 | Z.62234 | Gasket, union | 2 | — | C | | |
| SCZ/3766 | AGS.1747/D | Lug, terminal | 4 | — | C | | |
| 10H/0970127 | Z.49046 | Nut, union | 2 | — | C | | |
| 10H/0970087 | Z.62228 | Ring, sealing | 2 | — | C | | |
| 10H/0970095 | Z.49051 | Ring, thrust | 2 | — | C | | |
| 5K/9107067 | EEAS.146/C | Sleeve | 8 | — | C | | |
| 5K/9107068 | EEAS.146/D1 | Sleeve | 2 | — | C | | |
| 5K/9107069 | EEAS.146/F | Sleeve | 6 | — | C | | |
| SX/6192 | CZ.50403 | Socket, size B (Pre-Mod. 3380) | 1 | — | B | | |
| SX/7181 | 2CZ.111439 | Socket, size B (Mod. 3380) | 1 | — | B | | |
| 32B/498 | † | Thread, waxed linen, No. 18 | QR | — | C | | |
| 26729 | E.A3.81.2689/2 | CABLE, ASSEMBLY, CS.3, FROM AFT FUEL PUMP TO AFT PUMP SUPPRESSOR Consisting of:— | 1 | — | — | | F.11 |
| SX/6757 | EEAS.68/6 | Adaptor, reducing | 1 | — | C | | |
| 5E/4203 | † | Cable, Uninyvinmet 12 | QR | — | C | | |
| 33H/56 | † | Cement, Bostik | QR | — | C | | |
| SX/240 | Z.2277/2 | Ferrule, cut | 1 | — | C | | |
| 10H/0970076 | Z.49047 | Ferrule, inner | 1 | — | C | | |
| 10H/0970075 | Z.49048 | Ferrule, outer | 1 | — | C | | |
| SCZ/3766 | AGS.1747/D | Lug, terminal | 2 | — | C | | |
| 10H/0970127 | Z.49046 | Nut, gland | 1 | — | C | | |
| 10H/0970087 | Z.62228 | Ring, sealing | 1 | — | C | | |
| 5K/9107067 | EEAS.146/C | Sleeve | 4 | — | C | | |
| 5K/9107068 | EEAS.146/D1 | Sleeve | 2 | — | C | | |
| SX/6029 | CZ.27905 | Socket, size Z (Pre-Mod. 3380) | 1 | — | B | | |
| SX/7170 | 2CZ.111436 | Socket, size Z (Mod. 3380) | 1 | — | B | | |
| 5E/2904 | † | Wire, tinned copper, 25 SWG | QR | — | C | | |
| 5E/3141 | † | Wire, tinned copper, 32 SWG | QR | — | C | | |
| 26730 | E.A3.81.2691/2 | CABLE, ASSEMBLY, CS.4, FROM FORWARD FUEL PUMP TO SUPPRESSOR Consisting of:— | 1 | — | — | | F.11 |
| SX/6757 | EEAS.68/6 | Adaptor, reducing | 1 | — | C | | |
| 5E/4203 | † | Cable, Uninyvinmet 12 | QR | — | C | | |
| 33H/56 | † | Cement, Bostik | QR | — | C | | |
| SX/240 | Z.2277/2 | Ferrule, cut | 1 | — | C | | |
| 10H/0970076 | Z.49047 | Ferrule, inner | 1 | — | C | | |
| 10H/0970075 | Z.49048 | Ferrule, outer | 1 | — | C | | |
| SCZ/3766 | AGS.1747/D | Lug, terminal | 2 | — | C | | |
| 10H/0970127 | Z.49046 | Nut, gland | 1 | — | C | | |
| 10H/0970087 | Z.62228 | Ring, sealing | 1 | — | C | | |
| 5K/9107067 | EEAS.146/C | Sleeve | 4 | — | C | | |
| 5K/9107068 | EEAS.146/D1 | Sleeve | 2 | — | C | | |
| SX/6029 | CZ.27905 | Socket, size Z (Pre-Mod. 3380) | 1 | — | B | | |

FUSELAGE
CENTRE PORTION

| Ref. No. | Part No. | Description | | | | | | No. off | Mati Spec. | Cl. of Equip. M.R. L.M. | Plate No. |
|-------------|----------------|-------------|---|---|---|---|---|---------|------------|-------------------------------|-----------|
| | | 1 | 2 | 3 | 4 | 5 | 6 | | | | |
| 5X/7176 | 2CZ.111436 | | | | | | | 1 | — | B | |
| 5E/2904 | † | | | | | | | QR | — | C | |
| 5E/3141 | † | | | | | | | QR | — | C | |
| 28J/9508352 | AS.2398 | | | | | | | 1 | — | B | F.12 |
| | | | | | | | | | | | |
| 28M/10288 | AGS.2001/C/1 | | | | | | | 12 | — | C | |
| | E.A3.56.291 | | | | | | | 1 | — | — | F.12 |
| 28W/9419475 | SP.15/C | | | | | | | 12 | — | C | |
| | | | | | | | | | | | |
| | E.A3.56.119 | | | | | | | 1 | — | LM | F.12 |
| | E.A3.56.107 | | | | | | | 2 | L.72 | — | |
| | | | | | | | | | | | |
| 28D/9133011 | A25/2C | | | | | | | 2 | — | C | |
| 28W/9419402 | SP.13/C | | | | | | | 2 | — | C | |
| | | | | | | | | | | | |
| 28F/8011809 | AGS.1104/B | | | | | | | 2 | — | C | |
| 12593 | E.A3.56.171 | | | | | | | 1 | L.59 | B | F.12 |
| | | | | | | | | | | | |
| 28D/9133012 | A25/3C | | | | | | | 10 | — | C | |
| 12596 | E.A3.56.103 | | | | | | | 1 | L.72 | C | F.12 |
| 12598 | E.A3.56.117 | | | | | | | 2 | Neo-K-Tex | C | F.12 |
| 27Q/10454 | DOWTY SP.815/2 | | | | | | | 10 | — | C | |
| | | | | | | | | | | | |
| | E.A3.56.81 | | | | | | | 2 | L.72 | — | F.11 |
| | | | | | | | | | | | |
| 28M/10288 | AGS.2001/C/1 | | | | | | | 14 | — | C | |
| 12597 | E.A3.56.83 | | | | | | | 2 | Neo-K-Tex | C | F.11 |
| 28W/9419475 | SP.15/C | | | | | | | 14 | — | C | |
| | | | | | | | | | | | |
| 28F/9513420 | AGS.1142/J | | | | | | | 2 | — | C | F.12 |
| 12594 | E.A3.56.283 | | | | | | | 1 | L.56 | C | F.11 |
| | | | | | | | | | | | |
| 12595 | E.A3.56.285 | | | | | | | 1 | L.56 | C | F.11 |
| | | | | | | | | | | | |
| | E.A3.56.433 | | | | | | | 2 | L.56 | — | F.12 |
| | PULSOMETER | | | | | | | | | | |
| | PUL.1003 Mk.4 | | | | | | | 2 | — | A | F.12 |
| SUE/6787 | | | | | | | | | | | |
| | | | | | | | | | | | |
| 28M/10288 | AGS.2001/C/1 | | | | | | | 14 | — | C | |
| 12597 | E.A3.56.83 | | | | | | | 1 | Neo-K-Tex | C | F.12 |
| 28W/9419475 | SP.15/C | | | | | | | 14 | — | C | |
| | | | | | | | | | | | |
| 12600 | E.A3.56.477 | | | | | | | 1 | — | B | F.12 |
| | | | | | | | | | | | |
| 28D/1200119 | A25/4C | | | | | | | 34 | — | C | |
| 27Q/10454 | DOWTY SP.815-2 | | | | | | | 34 | — | C | F.12 |
| 12599 | E.A3.56.479 | | | | | | | 1 | Neo-K-Tex | C | F.12 |
| 28W/9419475 | SP.15/C | | | | | | | 34 | — | C | |
| | | | | | | | | | | | |
| 5CY/2967 | † | | | | | | | 2 | — | A | |
| | | | | | | | | | | | |
| 28S/1214675 | A39/B20 | | | | | | | 4 | — | C | |

FUSELAGE
CENTRE PORTION

| Ref. No | Part No | Description | No. off | Mati. Spec. | Cl. of Equip. | | Plate No. |
|-------------|------------------------------|--|---------|-------------|---------------|------|-----------|
| | | | | | M.R. | L.M. | |
| | | 1 2 3 4 5 6 | | | | | |
| 28Y/11843 | AS.2573 | Valve, drain, assembly | 1 | — | C | | F.11 |
| | | Attaching parts for AS.2573:— | | | | | |
| 28M/10288 | AGS.2001/C/1 | Nut, 2 BA | 8 | — | C | | |
| 28V/9419475 | SP.15/C | Washer | 8 | — | C | | |
| 28W/12509 | AS.410 | Washer, sealing | 1 | Neo-K-Tex | C | | F.11 |
| | K.A.C. LTD. | | | | | | |
| | C.3191 | Valve, drain, water sediment | 1 | — | — | | |
| 12607 | E.A3.56.47 | Trunnion, strap, R.H. | 2 | S.95 | C | | F.12 |
| 12608 | E.A3.56.49 | Trunnion, strap, L.H. | 2 | S.95 | C | | F.12 |
| | SELF PRIMING ENG. CO. LTD | | | | | | |
| 27F/2152 | SPE.1706 | Valve, non-return, Type P.24A, Mk. 2 (Pre-Mod. 2690) | 2 | — | B | | F.11 |
| 27F/5178 | † | Valve, non-return, Type P.24A, Mk. 3 (Mod. 2690) | 2 | — | B | | |
| | E.B6.11.1 | Structure, centre fuselage (Mod. 1018) (See page 481) | — | — | — | | |

FUSELAGE
CENTRE PORTION

| Ref. No. | Part No. | Description | | | | | | No. off | Matl. Spec. | Cl. of Equip. M.R. L.M. | Plate No. |
|---|--------------|-------------------------------------|-----|-----|-----|-----|-----|---------|-------------|-------------------------|-----------|
| | | 1 | 2 | 3 | 4 | 5 | 6 | | | | |
| SUMMARY OF STOCK ITEMS USED ON CENTRE FUSELAGE, ASSEMBLY | | | | | | | | | | | |
| 28F/9517916 | AGS.1112/J | Adaptor, bulkhead | ... | ... | ... | ... | ... | | | C | |
| 28F/12747 | AGS.1105/J | Body, union | ... | ... | ... | ... | ... | | | C | |
| 28D/1010658 | A25/1B | Bolt, 4 BA, hex. head, 0"5 long | ... | ... | ... | ... | ... | | | C | |
| 28D/1011006 | A25/5B | Bolt, 4 BA, hex. head, 0"9 long | ... | ... | ... | ... | ... | | | C | |
| 28D/9140639 | A25/11B | Bolt, 4BA, hex. head, 1"5 long | ... | ... | ... | ... | ... | | | C | |
| 28D/1011013 | A25/13B | Bolt, 2BA, hex. head, 1"7 long | ... | ... | ... | ... | ... | | | C | |
| 28D/9436920 | A25/1C | Bolt, 2 BA, hex. head, 0"55 long | ... | ... | ... | ... | ... | | | C | |
| 28D/9133011 | A25/2C | Bolt, 2 BA, hex. head, 0"65 long | ... | ... | ... | ... | ... | | | C | |
| 28D/9133012 | A25/3C | Bolt, 2 BA, hex. head, 0"75 long | ... | ... | ... | ... | ... | | | C | |
| 28D/1200119 | A25/4C | Bolt, 2BA, hex. head, 0"85 long | ... | ... | ... | ... | ... | | | C | |
| 28D/9133013 | A25/5C | Bolt, 2BA, hex. head, 0"95 long | ... | ... | ... | ... | ... | | | C | |
| 28D/9140644 | A25/9C | Bolt, 2 BA, hex. head, 1"35 long | ... | ... | ... | ... | ... | | | C | |
| 28D/1011246 | A25/11E | Bolt, 1" BSF, hex. head, 1"6 long | ... | ... | ... | ... | ... | | | C | |
| 28D/1010132 | A25/12E | Bolt, 1" BSF, hex. head, 1"7 long | ... | ... | ... | ... | ... | | | C | |
| 28D/1011247 | A25/13E | Bolt, 1" BSF, hex. head, 1"8 long | ... | ... | ... | ... | ... | | | C | |
| 28D/9706306 | A25/17E | Bolt, 1" BSF, hex. head, 2"2 long | ... | ... | ... | ... | ... | | | C | |
| 28D/9133208 | A25/20E | Bolt, 1" BSF, hex. head, 2"5 long | ... | ... | ... | ... | ... | | | C | |
| 28D/1214299 | AS.1242/5B | Bolt, 4 BA, c'sk. head, 0"85 | ... | ... | ... | ... | ... | | | C | |
| 28F/9128961 | AGS.605/1 | Clip, hose | ... | ... | ... | ... | ... | | | C | |
| 28M/5548 | AGS.899/1 | Collar | ... | ... | ... | ... | ... | | | C | |
| 28F/8011809 | AGS.1104/B | Comp. adaptor | ... | ... | ... | ... | ... | | | C | |
| 28F/951342 | AGS.1142/J | Nipple, adaptor | ... | ... | ... | ... | ... | | | C | |
| 28M/1006504 | A27/BT | Nut, 4 BA, thin | ... | ... | ... | ... | ... | | | C | |
| 28M/13141 | A27/BTL | Nut, 4 BA, thin, L.H. | ... | ... | ... | ... | ... | | | C | |
| 28M/1006473 | A27/CT | Nut, 2 BA, thin | ... | ... | ... | ... | ... | | | C | |
| 28M/13253 | A27/CTL | Nut, 2 BA, thin, L.H. | ... | ... | ... | ... | ... | | | C | |
| 28M/1011476 | A27/JS | Nut, 1" BSF | ... | ... | ... | ... | ... | | | C | |
| 28M/9129449 | A27/LS | Nut, 1" BSF | ... | ... | ... | ... | ... | | | C | |
| 28M/132597 | A27/NS | Nut, 1" BSF | ... | ... | ... | ... | ... | | | C | |
| 28M/10286 | AGS.2001/A/1 | Nut, 6 BA, stiff | ... | ... | ... | ... | ... | | | C | |
| 28M/10287 | AGS.2001/B/1 | Nut, 4 BA, stiff | ... | ... | ... | ... | ... | | | C | |
| 28M/10288 | AGS.2001/C/1 | Nut, 2 BA, stiff | ... | ... | ... | ... | ... | | | C | |
| 28M/9436836 | AGS.2001/C/2 | Nut, 2 BA, stiff | ... | ... | ... | ... | ... | | | C | |
| 28M/10290 | AGS.2001/E/1 | Nut, 1" BSF, stiff | ... | ... | ... | ... | ... | | | C | |
| 28M/10327 | AGS.2002/B/1 | Nut, 4 BA | ... | ... | ... | ... | ... | | | C | |
| 28M/10328 | AGS.2002/C/1 | Nut, 2 BA | ... | ... | ... | ... | ... | | | C | |
| 28P/1006943 | SP.9/C6 | Pin, split, 1/8" dia. x 1/2" long | ... | ... | ... | ... | ... | | | C | |
| 28S/9419435 | A31/B12 | Screw, 4 BA, cheese head, 1/2" long | ... | ... | ... | ... | ... | | | C | |
| 28S/9415185 | A44/B12 | Screw, 4 BA, round head, 1/2" long | ... | ... | ... | ... | ... | | | C | |
| 28S/9446303 | A45/A20 | Screw, 6 BA, c'sk. head, 1/2" long | ... | ... | ... | ... | ... | | | C | |
| 28S/9435713 | A31/C20 | Screw, 2 BA, cheese head, 1/2" long | ... | ... | ... | ... | ... | | | C | |
| 28S/1214675 | A39/B20 | Screw, 4 BA, cheese head, 1/2" long | ... | ... | ... | ... | ... | | | C | |
| 28F/9439105 | AGS.1105/H | Union | ... | ... | ... | ... | ... | | | C | |
| 28W/9419465 | SP.13/B | Washer, 4 BA, plain | ... | ... | ... | ... | ... | | | C | |
| 28W/9419402 | SP.13/C | Washer | ... | ... | ... | ... | ... | | | C | |
| 28W/9419466 | SP.13/J | Washer, 1/2" | ... | ... | ... | ... | ... | | | C | |
| 28W/9419467 | SP.13/L | Washer, 1/4" | ... | ... | ... | ... | ... | | | C | |
| 28W/9419468 | SP.13/N | Washer, 1/2" | ... | ... | ... | ... | ... | | | C | |
| 28W/9419474 | SP.15/B | Washer, 4 BA, plain | ... | ... | ... | ... | ... | | | C | |
| 28W/9419475 | SP.15/C | Washer, 2 BA, plain | ... | ... | ... | ... | ... | | | C | |

**FUSELAGE
CENTRE PORTION**

| Ref. No. | Part No. | Description | No off | Mati. Spec. | Cl. of Equip. | | | Plate No. |
|-------------|-----------|--------------------------------|-----------|-------------|---------------|-----|--|-----------|
| | | | | | M.R | L.M | | |
| | | 1 2 3 4 5 6 | | | | | | |
| 28W/9419405 | SP.15/F | Washer, 1/2" BSF, plain | | | C | | | |
| 28W/9419404 | SP.16/C | Washer, 2 BA, plain | | | C | | | |
| 28W/9419487 | SP.16/E | Washer, 1/2" BSF, plain | | | C | | | |
| 28W/9416641 | SP.47/A | Washer, 6 BA, spring | | | C | | | |
| 28W/12509 | AS.410 | Washer, jointing | | | C | | | |
| 28W/13593 | AGS.568/J | Washer, jointing | | | C | | | |

**FUSELAGE
CENTRE FUSELAGE STRUCTURE**

| Ref. No. | Part No. | Description | No. off | Matl. Spec. | Cl. of Equip. | | Plate No. |
|-------------|----------------|---|---------|-------------|---------------|------|-----------|
| | | | | | M.R. | L.M. | |
| | E.B6.11.1521 | STRUCTURE, CENTRE FUSELAGE GENERAL, ASSEMBLY (PRE-MOD. 1018) Spares for:— | — | — | — | — | |
| | | BEAMS, REINFORCING, BOMB BAY DEFLECTOR AND FOOTSTEPS (BLUE SILK), FRAMES 29 TO 31, GROUP (E.A9.11.3127) (MOD. 3154) See page 477 | — | — | — | — | |
| | E.B6.11.5051 | GIRDER, FLOOR, AT FRAME 27, MODIFICATIONS (MOD. 3420) See page 480 | — | — | — | — | |
| | E.A1.11.1 | STRUCTURE, CENTRE FUSELAGE, ASSEMBLY ... Spares for:— | — | — | — | — | |
| 13091 | E.A3.11.655 | Bolt, structure (Make from A25/4E) | 10 | — | — | C | |
| 7275 | E.A3.11.677 | Bolt, special (Make from A25/4C) | 10 | — | — | C/MR | |
| | E.A1.11.1603 | Bolt, special attachment, bulkhead to floor girder at frame 17 | 2 | S.11 | — | — | |
| | E.A1.11.1605 | Bolt, special attachment, bulkhead to floor girder, at frame 17 | 2 | S.11 | — | — | |
| | E.B6.11.2403/4 | BRACKET, PICK-UP, A/C, AT FRAME 17, INSTALLATION (MODS. 3156 AND 3522) Spares for:— | — | — | — | — | |
| | E.B6.11.5025 | Bracket, port (Mod. 3156) | — | — | — | — | |
| | E.B6.11.5129 | Bracket, port (Mod. 3522) | — | — | — | — | |
| | E.B6.11.5029 | Bracket, port (Mod. 3156) | — | — | — | — | |
| | or | or | | | | | |
| 40237 | EB6.11.5127 | Bracket, port (Mod. 3522) | 1 | — | — | C | |
| | E.B6.11.5026 | Bracket, starboard (Mod. 3156) | — | — | — | — | |
| | E.B6.11.5130 | Bracket, starboard (Mod. 3522) | — | — | — | — | |
| | E.B6.11.5030 | Bracket, starboard (Mod. 3156) | — | — | — | — | |
| | or | or | | | | | |
| 40238 | E.B6.11.5128 | Bracket, starboard (Mod. 3522) | 1 | — | — | C | |
| 3503 | E.A3.11.15 | Bulkhead, rear fuel tank | 1 | — | — | A | |
| 4773 | E.A1.11.3551 | Bulkhead, fuel tank, at frame 17 | 1 | — | — | A | |
| 233 | E.A1.11.1091 | Collar, special, retaining arc linking connecting pin at hydraulic jack | 1 | DTD.126A | — | C | F.2 |
| 1781 | E.A1.11.3245 | Collar, special, retaining arc linking connecting pin at hydraulic jack | 1 | S.92 | — | C | F.2 |
| 234 | E.A1.11.1105 | Collar, special, retaining hydraulic jack pick-up bracket connecting pin aft | 1 | DTD.126A | — | C | F.2 |
| 28N/9513425 | AGS.899/12 | Collar, special, retaining hydraulic jack pick-up bracket connecting pin forward | 2 | — | — | C | F.2 |
| 28N/7:16 | AGS.899/15 | Collar, retaining, actuating link | 2 | — | — | C | F.2 |
| 28N/S924 | AGS.899/18 | Collar, retaining, hydraulic jack pick-up bracket connecting pin, aft | 2 | — | — | C | F.2 |
| 28N/12242 | AGS.899/19 | Collar, retaining, actuating link pin aft | 1 | — | — | C | F.2 |
| 3080 | E.A1.11.1097 | DOOR, BOMB, PORT, GROUP (PRE-MOD. 2197) Spares for:— | 1 | — | — | A | |
| 235 | E.A1.11.1231 | Bolt, eye, connecting for hinge support, stay | 2 | L.40 | — | C | F.3 |
| 15825 | E.A1.11.1573 | Bolt, special, bomb door hinge, at frames 15, 17 and 19 | 6 | S.11 | — | C/MR | |
| 4151 | E.A1.11.1601 | Bolt, special, bomb door hinge attachment ... | 2 | S.11 or S.2 | — | C/MR | F.3 |

**FUSELAGE
CENTRE FUSELAGE STRUCTURE**

| Ref. No. | Part No. | Description | | | | | | No. off | Mati. Spec. | Cl. of Equip. M.R. L.M. | Plate No. |
|----------|--------------|--|---|---|---|---|---|---------|-------------|-------------------------------|-----------|
| | | 1 | 2 | 3 | 4 | 5 | 6 | | | | |
| | E.A1.11.823 | BRACKET, DOOR, ROLLER GUIDE, GROUP | | | | | | 1 | — | — | |
| | | Spares for:— | | | | | | | | | |
| 236 | E.A1.11.1615 | Bolt, special, c/w lubricating nipple | | | | | | 1 | — | C | F.3 |
| 237 | E.A1.11.837 | Roller | | | | | | 1 | L.40 | C | F.3 |
| 11588 | E.A1.11.1617 | Tube, 1/2" o/d x 1"04 x 20 SWG | | | | | | 1 | T.45 | — | |
| | E.A1.11.825 | BRACKET, DOOR, ROLLER GUIDE, GROUP | | | | | | 1 | — | — | |
| | | Spares for:— | | | | | | | | | |
| 236 | E.A1.11.1615 | Bolt, special, c/w lubricating nipple | | | | | | 1 | — | C | F.3 |
| 237 | E.A1.11.837 | Roller | | | | | | 1 | L.40 | C | F.3 |
| | E.A1.11.1617 | Tube, 1/2" o/d x 1"04 x 20 SWG | | | | | | 1 | T.45 | — | |
| | E.A1.11.827 | BRACKET, DOOR, ROLLER GUIDE, GROUP | | | | | | 1 | — | — | |
| | | Spares for:— | | | | | | | | | |
| 236 | E.A1.11.1615 | Bolt, special, c/w lubricating nipple | | | | | | 1 | — | C | F.3 |
| 237 | E.A1.11.837 | Roller | | | | | | 1 | L.40 | C | F.3 |
| | E.A1.11.1617 | Tube, 1/2" o/d x 1"04 x 20 SWG | | | | | | 1 | T.45 | — | |
| | E.A1.11.829 | BRACKET, DOOR, ROLLER GUIDE, GROUP | | | | | | 1 | — | — | |
| | | Spares for:— | | | | | | | | | |
| 236 | E.A1.11.1615 | Bolt, special, c/w lubricating nipple | | | | | | 1 | — | C | F.3 |
| 237 | E.A1.11.837 | Roller | | | | | | 1 | L.40 | C | F.3 |
| | E.A1.11.1617 | Tube, 1/2" o/d x 1"04 x 20 SWG | | | | | | 1 | T.45 | — | |
| | E.A1.11.831 | BRACKET, DOOR, ROLLER GUIDE, GROUP | | | | | | 1 | — | — | |
| | | Spares for:— | | | | | | | | | |
| 236 | E.A1.11.1615 | Bolt, special, c/w lubricating nipple | | | | | | 1 | — | C | F.3 |
| 237 | E.A1.11.837 | Roller | | | | | | 1 | L.40 | C | F.3 |
| | E.A1.11.1617 | Tube, 1/2" o/d x 1"04 x 20 SWG | | | | | | 1 | T.45 | — | |
| | E.A1.11.833 | BRACKET, DOOR, ROLLER GUIDE, GROUP | | | | | | 1 | — | — | |
| | | Spares for:— | | | | | | | | | |
| 236 | E.A1.11.1615 | Bolt, special, c/w lubricating nipple | | | | | | 1 | — | C | F.3 |
| 237 | E.A1.11.837 | Roller | | | | | | 1 | L.40 | C | F.3 |
| | E.A1.11.1617 | Tube, 1/2" o/d x 1"04 x 20 SWG | | | | | | 1 | T.45 | — | |
| 11497 | E.A1.11.845 | BRACKET, ROLLER MOUNTING, BOMB DOOR CENTRE TRACK, GROUP | | | | | | 1 | — | B/MR | |
| | | Spares for:— | | | | | | | | | |
| 238 | E.A1.11.851 | Pin, special, locating, outboard roller | | | | | | 1 | S.11 | C | F.3 |
| 239 | E.A1.11.853 | Pin, special, main roller | | | | | | 1 | S.11 | C | F.3 |
| 240 | E.A1.11.855 | Pin, special, locating, inboard roller | | | | | | 1 | S.11 | C | F.3 |
| 241 | E.A1.11.847 | Roller, locating | | | | | | 1 | BSS.369 | C | F.3 |
| 242 | E.A1.11.849 | Roller, main | | | | | | 1 | BSS.369 | C | F.3 |
| 243 | E.A1.11.1365 | Roller, main | | | | | | 1 | BSS.369 | C | F.3 |

**FUSELAGE
CENTRE FUSELAGE STRUCTURE**

| Ref. No. | Part No. | Description | No. off | Matl. Spec. | Cl. of Equip. | |
|----------|--------------|---|---------|------------------|---------------|-----------|
| | | | | | M.R. | Plate No. |
| | | 1 2 3 4 5 6 | | | | |
| 244 | E.A1.11.857 | Washer, special thrust, main roller ... | 1 | DTD.124 | C | F.3 |
| 245 | E.A1.11.1367 | Washer, special ... | 1 | S.1 | C | F.3 |
| 15798 | E.A1.11.1177 | Connection, main hinge stay ... | 1 | L.40 | C/MR | |
| 15800 | E.A1.11.1179 | Connection, main hinge stay ... | 1 | DTD.683 | C/MR | |
| 247 | E.A1.11.1441 | Flap, roller, spring hinged clearance ... | 1 | — | C | F.3 |
| | E.A1.11.933 | HINGE, BOMB DOOR, MAIN BRACKET, REAR END, GROUP Spares for:— | 1 | — | — | |
| 248 | E.A1.11.927 | Bearing, journal ... | 1 | DTD.197 | C | F.3 |
| 249 | E.A1.11.929 | Bearing, journal ... | 1 | DTD.197 | C | F.3 |
| 20520 | E.A1.11.1467 | Bracket ... | 1 | L.40 | C | |
| 13224 | E.A1.11.935 | HINGE, BOMB DOOR, MAIN BRACKET, FORWARD END, GROUP (Supplied as Drg. Part No. EA3.00.100 for spares purposes) Spares for:— | 1 | — | C | |
| 249 | E.A1.11.929 | Bearing, journal ... | 1 | DTD.197 | C | F.3 |
| 250 | E.A1.11.931 | Bearing, journal ... | 1 | DTD.197 | C | F.3 |
| 20520 | E.A1.11.1467 | Bracket ... | 1 | L.40 | C | |
| | E.A1.11.1607 | Hinge, flap roller clearance (Make from AS 1878/15, Ref. No. 28N/10786) | 1 | — | LM | |
| | E.A3.11.121 | Seal, 22 3/4" long (Make from Ref. 4431) ... | 2 | Synthetic rubber | LM | |
| | E.A3.11.117 | Seal, 6 1/2" long (Make from Ref. 4431) ... | 2 | Synthetic rubber | LM | |
| | E.A3.11.119 | Seal, 5 3/4" long (Make from Ref. 4431) ... | 2 | Synthetic rubber | LM | |
| 251 | E.A1.11.1309 | Spring, leaf, outboard clearance flap ... | 1 | Spring steel | C | F.3 |
| 252 | E.A1.11.1311 | Spring, leaf, inboard clearance flap ... | 1 | Spring steel | C | F.3 |
| 253 | E.A1.11.1205 | Stay, main hinge support ... | 1 | — | C | F.3 |
| 254 | E.A1.11.1207 | Stay, main hinge support ... | 1 | — | C | F.3 |
| 15807 | E.A1.11.1327 | Stud, securing roller bracket ... | 1 | S.11 | C/MR | |
| 3081 | E.A1.11.1098 | DOOR, BOMB, STARBOARD (PRE-MOD. 2197) Spares for:— | 1 | — | A | |
| 235 | E.A1.11.1231 | Bolt, eye connection for hinge support stay ... | 2 | L.40 | C | F.3 |
| 15825 | E.A1.11.1573 | Bolt, special, bomb door hinge at frames 15, 17 and 19 | 6 | S.11 | C/MR | |
| 1151 | E.A1.11.1601 | Bolt, special, bomb door hinge attachment ... | 2 | S.2 or S.11 | C/MR | F.3 |
| | E.A1.11.823 | BRACKET, DOOR, ROLLER GUIDE, GROUP Spares for:— | 1 | — | — | |
| 236 | E.A1.11.1615 | Bolt, special, c/w lubricating nipple ... | 1 | — | C | F.3 |
| 237 | E.A1.11.837 | Roller ... | 1 | L.40 | C | F.3 |
| | E.A1.11.1617 | Tube, 3/4" o/d x 1"04 x 20 SWG ... | 1 | T.45 | — | |

**FUSELAGE
CENTRE FUSELAGE STRUCTURE**

| Ref. No. | Part No. | Description | | | | | | No. off | Matl. Spec. | Cl. of Equip. M.R. L.M. | Plate No. |
|----------|--------------|--|---|---|---|---|---|---------|-------------|-------------------------------|-----------|
| | | 1 | 2 | 3 | 4 | 5 | 6 | | | | |
| | E.A1.11.825 | BRACKET, DOOR, ROLLER GUIDE, GROUP | | | | | | 1 | — | — | |
| | | Spares for:— | | | | | | | | | |
| 236 | E.A1.11.1615 | Bolt, special, c/w lubricating nipple | | | | | | 1 | — | C | F.3 |
| 237 | E.A1.11.837 | Roller | | | | | | 1 | L.40 | C | F.3 |
| | E.A1.11.1617 | Tube, 1/2" o/d x 1"04 x 20 SWG | | | | | | 1 | T.45 | — | |
| | E.A1.11.827 | BRACKET, DOOR, ROLLER GUIDE, GROUP | | | | | | 1 | — | — | |
| | | Spares for:— | | | | | | | | | |
| 236 | E.A1.11.1615 | Bolt, special, c/w lubricating nipple | | | | | | 1 | — | C | F.3 |
| 237 | E.A1.11.837 | Roller | | | | | | 1 | L.40 | C | F.3 |
| | E.A1.11.1617 | Tube, 1/2" o/d x 1"04 x 20 SWG | | | | | | 1 | T.45 | — | |
| | E.A1.11.829 | BRACKET, DOOR, ROLLER GUIDE, GROUP | | | | | | 1 | — | — | |
| | | Spares for:— | | | | | | | | | |
| 236 | E.A1.11.1615 | Bolt, special, c/w lubricating nipple | | | | | | 1 | — | C | F.3 |
| 237 | E.A1.11.837 | Roller | | | | | | 1 | L.40 | C | F.3 |
| | E.A1.11.1617 | Tube, 1/2" o/d x 1"04 x 20 SWG | | | | | | 1 | T.45 | — | |
| | E.A1.11.831 | BRACKET, DOOR, ROLLER GUIDE, GROUP | | | | | | 1 | — | — | |
| | | Spares for:— | | | | | | | | | |
| 236 | E.A1.11.1615 | Bolt, special, c/w lubricating nipple | | | | | | 1 | — | C | F.3 |
| 237 | E.A1.11.837 | Roller | | | | | | 1 | L.40 | C | F.3 |
| | E.A1.11.1617 | Tube, 1/2" o/d x 1"04 x 20 SWG | | | | | | 1 | T.45 | — | |
| | E.A1.11.833 | BRACKET, DOOR, ROLLER GUIDE, GROUP | | | | | | 1 | — | — | |
| | | Spares for:— | | | | | | | | | |
| 236 | E.A1.11.1615 | Bolt, special, c/w lubricating nipple | | | | | | 1 | — | C | F.3 |
| 237 | E.A1.11.837 | Roller | | | | | | 1 | L.40 | C | F.3 |
| | E.A1.11.1617 | Tube, 1/2" o/d x 1"04 x 20 SWG | | | | | | 1 | T.45 | — | |
| 11498 | E.A1.11.846 | BRACKET, ROLLER MOUNTING, GROUP | | | | | | 1 | — | — | |
| | | Spares for:— | | | | | | | | | |
| 238 | E.A1.11.851 | Pin, special locating, outboard roller | | | | | | 1 | S.11 | C | F.3 |
| 239 | E.A1.11.853 | Pin, special, main roller | | | | | | 1 | S.11 | C | F.3 |
| 240 | E.A1.11.855 | Pin, special locating, inboard roller | | | | | | 1 | S.11 | C | F.3 |
| 241 | E.A1.11.847 | Roller, locating | | | | | | 1 | BSS.369 | C | F.3 |
| 242 | E.A1.11.849 | Roller, main | | | | | | 1 | BSS.369 | C | F.3 |
| 243 | E.A1.11.1365 | Roller, main | | | | | | 1 | BSS.369 | C | F.3 |
| 244 | E.A1.11.857 | Washer, special thrust, main roller | | | | | | 1 | DTD.124 | C | F.3 |
| 245 | E.A1.11.1367 | Washer, special | | | | | | 1 | S.1 | C | F.3 |
| 15799 | E.A1.11.1178 | Connection, main hinge stay | | | | | | 1 | L.40 | C/MR | |
| 15801 | E.A1.11.1180 | Connection, main hinge stay | | | | | | 1 | DTD.683 | C/MR | |
| 247 | E.A1.11.1441 | Flap, roller, spring hinged clearance | | | | | | 1 | — | C | F.3 |
| | E.A1.11.934 | HINGE, BOMB DOOR, MAIN BRACKET, REAR END, GROUP | | | | | | 1 | — | — | |
| | | Spares for:— | | | | | | | | | |
| 248 | E.A1.11.927 | Bearing, journal | | | | | | 1 | DTD.197 | C | F.3 |

**FUSELAGE
CENTRE FUSELAGE STRUCTURE**

| Ref. No. | Part No. | 1 | 2 | 3 | 4 | 5 | 6 | Description | No. Off | Matl. Spec. | Cl. of Equip. | Plate No. |
|----------|----------------|---|---|---|---|---|---|---|---------|------------------|---------------|-----------|
| | | | | | | | | | | | M.R. | |
| 249 | E.A1.11.929 | | | | | | | Bearing, journal | 1 | DTD.197 | C | F.3 |
| 18212 | E.A1.11.1468 | | | | | | | Bracket | 1 | L.40 | C/MR | |
| 13225 | E.A1.11.936 | | | | | | | HINGE, BOMB DOOR, MAIN BRACKET, FORWARD END, GROUP (Supplied as Drg. Pt. No. E.A3.00.1002 for spares purposes) | 1 | — | C | |
| 249 | E.A1.11.929 | | | | | | | Bearing, journal | 1 | DTD.197 | C | F.3 |
| 250 | E.A1.11.931 | | | | | | | Bearing, journal | 1 | DTD.197 | C | F.3 |
| 18212 | E.A1.11.1468 | | | | | | | Bracket | 1 | L.40 | C/MR | |
| | E.A1.11.1607 | | | | | | | Hinge, flap, roller clearance | 1 | — | — | |
| | E.A3.11.121 | | | | | | | Seal, 22" x 3" long (Make from Ref. 4431) | 2 | Synthetic Rubber | LM | |
| | E.A3.11.117 | | | | | | | Seal, 6 1/2" long (Make from Ref. 4431) | 2 | Synthetic Rubber | LM | |
| | E.A3.11.119 | | | | | | | Seal, 5 1/8" long (Make from Ref. 4431) | 2 | Synthetic Rubber | LM | |
| 251 | E.A1.11.1309 | | | | | | | Spring, leaf, outboard clearance flap | 1 | Spring Steel | C | F.3 |
| 252 | E.A1.11.1311 | | | | | | | Spring, leaf, inboard clearance flap | 1 | Spring Steel | C | F.3 |
| 253 | E.A1.11.1205 | | | | | | | Stay, main hinge support | 1 | — | C | F.3 |
| 254 | E.A1.11.1207 | | | | | | | Stay, main hinge support | 1 | — | C | F.3 |
| 15807 | E.A1.11.1327 | | | | | | | Stud, securing roller bracket | 1 | S.11 | C/MR | |
| | E.A1.11.5 | | | | | | | KEEL, UNIT, GROUP Spares for:— | 1 | — | — | |
| 255 | E.A1.11.1007 | | | | | | | Bracket, hinge, undercarriage door mounting | 2 | — | C | F.3 |
| 7344 | E.A1.11.1009 | | | | | | | Bracket, valve mounting, undercarriage | 1 | — | C/MR | F.3 |
| 257 | E.A1.11.1011 | | | | | | | Bracket, hinge undercarriage door mounting aft, port | 1 | L.73 | C | F.3 |
| 258 | E.A1.11.1012 | | | | | | | Bracket, hinge, undercarriage door mounting aft, starboard | 1 | L.73 | C | F.3 |
| 3082 | E.A1.11.427 | | | | | | | DOOR, ACCESS, ACCUMULATOR COMPARTMENT, GROUP Supplied to Pt. No. E.A3.00.153, for spares purposes | 1 | — | B | F.4 |
| 259 | E.A1.11.463 | | | | | | | Clip, door stay, stowage | 2 | Spring Steel | C | F.4 |
| 1495 | FAIREY FS 400A | | | | | | | Fastener, door | 3 | — | C | F.4 |
| 4152 | E.A1.11.2793 | | | | | | | Hinge, door | 1 | — | C/MR | F.4 |
| 1569 | E.A1.11.2799 | | | | | | | Sealing, door (Make from Ref. 26FZ/2060 or 12713) | 1 | — | C | F.4 |
| 260 | E.A1.11.429 | | | | | | | STAY, SIDE DOOR, GROUP Spares for:— | 2 | — | B | F.4 |
| 12081 | E.A1.11.441 | | | | | | | Bolt, eye, special, anchor, side stay | 1 | S.1 | C | F.4 |
| 3684 | E.A1.11.445 | | | | | | | Fork, stay, door support | 1 | S.1 | C | F.4 |
| | E.A1.11.2801 | | | | | | | Strip, attachment, sealing | 2 | L.72 | LM | |
| 5347 | E.A1.11.1319 | | | | | | | Fairlead, for air pipes at frame 22 | 2 | LFS/21 | C/MR | |
| 5346 | E.A1.11.1325 | | | | | | | Fairlead, for fuel pipes | 2 | LFS/21 | C/MR | |

**FUSELAGE
CENTRE FUSELAGE STRUCTURE**

| Ref. No. | Part No. | Description | No. Off | Matl. Spec. | Cl. of Equip. | Plate No. |
|--------------|----------------|--|---------|--------------|---------------|-----------|
| | | | | | M.R. L.M. | |
| | E.A3.11.7 | KEEL UNIT, STRUCTURE, ASSEMBLY ... | — | — | — | |
| | | Spares for:— | | | | |
| 7413 | E.A1.11.317 | Beam, bomb ... | 1 | — | A/MR | |
| 7507 | E.A1.11.1769 | Beam, floor, between frames 14 and 15, port | 1 | — | B/MR | |
| 7508 | E.A1.11.1777 | Beam, floor, between frames 14 and 15, starboard | 1 | — | B/MR | |
| 7425 | E.A1.11.3213 | Bolt, special, fixing bomb beam to main spar girder (port only) | 2 | M.S. | C/MR | |
| 261 | E.A1.11.871 | BULKHEAD, REAR BOMB BAY, ASSEMBLY | 1 | — | A/MR | |
| | | Spares for:— | | | | |
| | E.B6.11.2339 | COMPASS ALIGNMENT POINT (MOD. 2646) | — | — | — | |
| | | Spares for:— | | | | |
| 25352 | E.A9.11.847 | Block, attachment ... | 1 | L.65 or L.40 | MR | |
| | | Attaching parts for E.A9.11.847:— | | | | |
| 28D/9133012 | A25/3C | Bolt, 2 BA ... | 2 | — | C | |
| 28M/1278190 | AGS.2001/C/1 | Nut, 2 BA ... | 2 | — | C | |
| 28W/9419475 | SP.15/C | Washer ... | 2 | — | C | |
| | E.A9.11.3129 | DOOR, ACCESS, BOMB BAY INSPECTION, ASSEMBLY (MOD.3154) | — | — | — | |
| | | Spares for:— | | | | |
| 12229 | E.A3.11.859 | Bracket, access door, hinge, L.H. ... | 1 | DTD.683 | C | |
| 12230 | E.A3.11.860 | Bracket, access door, hinge, R.H. ... | 1 | DTD.683 | C | |
| 12227 | E.A3.11.855 | DOOR, ACCESS, GROUP | 1 | — | B | |
| | | Spares for:— | | | | |
| | AVIATION DEVS. | | | | | |
| 28FP/9713920 | A.411 | Pin, "Pip", quick release ... | 1 | — | C | |
| 12228 | E.A3.11.867 | Ring, sealing ... | 1 | Neo-K-Tex | C | |
| 23028 | E.A3.11.861 | Shim, access door hinge ... | 2 | Lam. Alum. | MR | |
| 31876 | E.A1.11.965 | Lug, attachment, L.H. ... | 1 | — | C | |
| | E.A1.11.966 | Lug, attachment, R.H. ... | 1 | — | — | |
| | — | Lug, deflector pick up (E.A9.11.3203) (Mod. 3154) See page No. 483 | — | — | — | |
| 3502 | E.A3.11.17 | Bulkhead, frame 13 bomb bay ... | 1 | — | A/MR | |
| 4745 | E.A1.11.199 | FRAME, ACCUMULATOR DOOR, GROUP ... | 1 | — | B/MR | F.4 |
| | | Spares for:— | | | | |
| 3652 | E.A3.11.135 | Bracket ... | 1 | L.72 | C | F.4 |
| 263 | E.A1.11.629 | Glass, camera frame ... | 1 | Glass | C | F.5 |
| 265 | E.A1.11.547 | Plate, cover, camera window ... | 1 | L.73 | C | F.5 |
| 7636 | E.A1.11.3523 | Ring, reinforcing, 18 SWG, 2"5 o/d x 1"25 i/d | 1 | L.72 | C | |
| 4266 | E.A1.11.537 | Ring, reinforcing, camera opening ... | 1 | — | C/MR | F.5 |
| 266 | E.A1.11.541 | Ring, retaining, camera window ... | 1 | L.72 | C | F.5 |
| 1468 | EEAS.1/2C | Screw, 2 BA, c'sk head ... | 24 | H.T.D. | C | |
| 267 | E.A1.11.673 | Strip, retaining, identification lamp window ... | 1 | L.72 | C | F.5 |
| 5322 | E.A1.11.865 | Strut, support, bomb door track at frame 22 | 2 | — | B/MR | |
| 4476 | E.A1.11.801 | Track, bomb door, main spar, port ... | 1 | — | C/MR | F.5 |
| 4477 | E.A1.11.802 | Track, bomb door, main spar, starboard ... | 1 | — | C/MR | F.5 |
| 268 | E.A1.11.669 | Window, identification lamp ... | 1 | DTD.339 | C | F.5 |
| 3406 | E.A1.11.3355 | Plug, sealing ... | 4 | Sorbo Rubber | C | |
| 1025 | EEAS.1/1C | Screw, 2 BA, c'sk. head ... | 9 | H.T.S. | C | |

**FUSELAGE
CENTRE FUSELAGE STRUCTURE**

| Ref. No. | Part No. | 1 | 2 | 3 | 4 | 5 | 6 | Description | No. off | Mati. Spec. | Cl. of Equip. | | Plate No. |
|----------|--------------------------|---|---|---|---|---|---|---|---------|------------------|---------------|------|-----------|
| | | | | | | | | | | | M.R. | L.M. | |
| 1565 | EEAS.1/3C E.A3.11.123 | | | | | | | Screw, 2 BA, c'sk. head | 88 | H.T.S. | C | | |
| | | | | | | | | Seal, 62" long (Make from Ref. 4431) | 1 | Synthetic Rubber | LM | | |
| | E.A3.11.125 | | | | | | | Seal, 51"5 long (Make from Ref. 4431) | 1 | Synthetic Rubber | LM | | |
| | E.A3.11.121 | | | | | | | Strip, 22' 3" (Make from Ref. 4431) | 1 | Synthetic Rubber | LM | | |
| 1561 | EEAS.27/34GR | | | | | | | Washer, 14 SWG | 2 | L.72 | C | | |
| 1562 | EEAS.27/46FR | | | | | | | Washer, 16 SWG | 3 | L.72 | C | | |
| 1563 | EEAS.27/61FR | | | | | | | Washer, 16 SWG | 3 | L.72 | C | | |
| 1564 | EEAS.28/4GR | | | | | | | Washer, 16 SWG | 14 | L.72 | C | | |
| 4913 | E.A1.11.817 | | | | | | | LINK, ACTUATING, CONNECTION BETWEEN HYDRAULIC JACK AND BOMB DOOR HINGE BRACKET, REAR END, GROUP | 2 | — | C | | F.2 |
| | | | | | | | | Spares for:— | | | | | |
| 270 | E.A1.11.819 | | | | | | | Fitting, fork end | 1 | DTD.683 | C | | F.2 |
| 269 | E.A1.11.821 | | | | | | | Fitting, fork end, adjustable | 1 | DTD.683 | C | | F.2 |
| 1096 | EEAS.37/15A | | | | | | | Nipple, 4 BA | 8 | S.11 | C | | F.2 |
| 271 | E.A1.11.1083 | | | | | | | Nut, special, 3/8" BSF | 1 | S.1 | C | | F.2 |
| 272 | E.A1.11.1081 | | | | | | | Sleeve | 1 | DTD.683 | C | | |
| | EEAS.38/2A | | | | | | | Spoke, 4 BA (Make from Ref. 28R/6124) | 8 | S.11 | LM | | |
| 273 | E.A1.11.937 | | | | | | | Link, connecting, arc guide between hydraulic jack and bearing anchor plate, rear end | 1 | L.40 | C | | F.2 |
| 1778 | E.A1.11.3261 | | | | | | | Link, connecting arc guide between hydraulic jack and bearing anchor plate, forward end | 2 | — | C | | F.2 |
| 4914 | E.A1.11.941 | | | | | | | LINK, ACTUATING, CONNECTION BETWEEN HYDRAULIC JACK AND BOMB DOOR HINGE BRACKET, FORWARD END, GROUP | | | | | |
| | | | | | | | | Spares for:— | | | | | |
| 275 | E.A1.11.943 | | | | | | | Fitting, fork end | 1 | DTD.683 | C | | F.2 |
| 276 | E.A1.11.945 | | | | | | | Fitting, fork end, adjustable | 1 | DTD.683 | C | | F.2 |
| 1095 | EEAS.37/14A | | | | | | | Nipple, 4 BA | 16 | S.11 | C | | F.2 |
| 277 | E.A1.11.1079 | | | | | | | Sleeve | 1 | DTD.683 | C | | |
| | EEAS.38/2A | | | | | | | Spoke, 4 BA (Make from Ref. 28R/6124) | 8 | S.11 | LM | | |
| 278 | E.A1.11.1087 | | | | | | | Pin, special, hydraulic jack pick-up bracket connection, forward end | 1 | S.11 | C | | F.2 |
| 1780 | E.A2.11.1301 | | | | | | | Pin, special, connecting actuating link to hydraulic jack, forward end | 2 | S.82 | C | | F.2 |
| 280 | E.A1.11.1103 | | | | | | | Pin, special pivot, for arc link at anchor bracket | 1 | S.11 | C | | F.2 |
| 281 | E.A1.11.1107 | | | | | | | Pin, special, hydraulic jack pick-up bracket connection, aft | | | | | |
| 282 | E.A1.11.1109 | | | | | | | Pin, special, connecting actuating link to hydraulic jack, aft | 1 | S.11 | C | | F.2 |
| 286 | E.A1.11.1587 | | | | | | | Pin, special pivot, arc stay to anchor bracket ... | 2 | S.82 | C | | F.2 |

**FUSELAGE
CENTRE FUSELAGE STRUCTURE**

| Ref. No. | Part No. | Description | No. off | Mater. Spec. | Cl. of Equip. | | Plate No. |
|-----------|-------------------------------|---|---------|--------------|---------------|------|-----------|
| | | | | | M.R. | L.M. | |
| | | 1 2 3 4 5 6 | | | | | |
| 28FP/877 | AVIATION DEVS. S.5260/916 | Pin, double lock quick release, connecting actuating stay to bomb door hinge bracket, 1/8" dia. (Mod. 3274) | 2 | — | | C | |
| 28FP/1173 | AVIATION DEVS. S.5260/1218 | Pin, double lock quick release, connecting actuating stay to bomb door hinge bracket, 1/4" dia. (Mod. 3274) | 2 | — | | C | |
| 28FP/1174 | AVIATION DEVS. S.5260/1640 | Pin, double lock quick release, bomb door pivot, 1" dia. (Mod. 3274) | 4 | — | | C | |
| 28P/11793 | SP.4Y/R29 | Pin, pivot, connecting arc stay to hydraulic jack | 1 | — | | C | F.2 |
| 28P/12243 | SP.4Y/R22 | Pin, connecting, arc link to hydraulic jack | 1 | — | | C | F.2 |
| | E.A.1.11.9 | ROOF UNIT, GROUP | 1 | — | | — | |
| | E.A.3.11.1181 | Spares for:— ACCESS TO VENT CONNECTIONS ON No. 3 FUEL TANK AT FRAME 22, ASSEMBLY | | | | | |
| 6509 | E.A.3.11.1149 | Panel (Pre-Mod. 4066) | 1 | L.73 | | C | F.6 |
| | E.B.6.11.5175 | PANEL, ACCESS, INSTALLATION (MOD. 4066) Spares for:— | | | | | |
| 1027 | E.B.6.11.5199 | Door, access | 1 | — | | — | |
| 1565 | EEAS.1/2 1/2 C | Screw, 2 BA | 28 | — | | C | |
| 1034 | EEAS.1/3 1/2 E | Screw, 2 BA | 4 | — | | C | |
| 1026 | EEAS.1/1 1/2 C | Screw, 1/2" BSF | 8 | — | | C | |
| 1027 | EEAS.1/2 1/2 C | Screw, 2 BA, c'sk. head | 28 | S.96 | | C | |
| 1033 | EEAS.1/2 1/2 E | Screw, 2 BA, c'sk. head | 4 | S.96 | | C | |
| 9527 | E.A.1.11.3173 | Screw, 1/2" BSF, c'sk. head | 8 | S.96 | | C | |
| 9528 | E.A.1.11.3174 | Angle, landing, wing, port, centre | 1 | — | | C | |
| 18187 | E.A.1.11.3175 | Angle, landing, wing, starboard, centre | 1 | — | | C | |
| 21880 | E.A.1.11.3176 | Angle, landing, wing, port, forward | 1 | L.72 | | C | |
| 2463 | E.A.1.11.3323 | Angle, landing, wing, starboard, forward | 1 | L.72 | | C | |
| 2464 | E.A.1.11.3324 | Bracket, wing to fuselage attachment at frame 17 port | 1 | S.96 | | C | F.6 |
| 287 | E.A.1.57.135 | Bracket, wing to fuselage attachment at frame 17, starboard | 1 | S.96 | | C | F.6 |
| 291 | E.A.1.11.771 | Fitting, drain outlet | 3 | — | | C | F.6 |
| | E.B.6.11.5165 | Plate, attachment, filler cap (Pre-Mod. 4066) | 3 | L.73 | | C | F.6 |
| 292 | E.A.1.11.1651 | Plate, cover, filler cap (Mod. 4066) | 3 | — | | — | |
| | E.B.6.11.5163 | Plate, cover, access, for fuel tank nitrogen and vent system couplings between frames 20-21 (Pre-Mod. 4066) | 1 | — | | C | F.6 |
| 290 | E.A.1.11.1653 | Plate, access cover (Mod. 4066) | 1 | — | | — | |
| | E.B.6.11.5159 | Plate, cover, access, for fuel tank nitrogen and vent system couplings between frames 17-18, port (Pre-Mod. 4066) | 1 | — | | C | F.6 |
| 288 | E.A.1.11.1655 | Plate, access cover (Mod. 4066) | 1 | L.73 | | — | |
| | E.B.6.11.5161 | Plate, cover, access, for fuel tank nitrogen and vent systems couplings between frames 16-17, starboard (Pre-Mod. 4066) | 1 | — | | C | F.6 |
| | | Plate, access, cover (Mod. 4066) | 1 | L.73 | | — | |

**FUSELAGE
CENTRE FUSELAGE STRUCTURE**

| Ref. No. | Part No. | Description | | | | | | No. off | Matl. Spec. | Cl. of Equip. M.R. L.M. | Plate No. |
|----------|--------------|-------------|---|---|---|---|---|---------|-------------|-------------------------------|-----------|
| | | 1 | 2 | 3 | 4 | 5 | 6 | | | | |
| 289 | E.A1.11.1657 | | | | | | | 1 | — | C | F.6 |
| | | | | | | | | | | | |
| 1025 | E.EAS.1/1C | | | | | | | 96 | S.96 | C | |
| 1026 | EEAS.1/1½C | | | | | | | 210 | S.96 | C | |
| 293 | E.A1.11.1085 | | | | | | | 4 | S.11 | C | F.2 |
| 1779 | E.A2.11.881 | | | | | | | 4 | S.82 | C | F.2 |
| | | | | | | | | | | | |
| 295 | E.A1.11.1101 | | | | | | | 4 | S.82 | C | F.2 |

| Ref. No. | Part No. | 1 2 3 4 5 6 | | | | | | Cl. of Equip. M.R. L.M. | Plate No. |
|----------|----------|-------------|--|--|--|--|--|-------------------------------|-----------|
| | | Description | | | | | | | |
| | | | | | | | | | |

**FUSELAGE
CENTRE FUSELAGE STRUCTURE**

| Ref. No. | Part No. | Description | No. off | Matl. Spec. | Cl. of Equip. | Plate No. |
|-------------|--------------|---|---------|-----------------|---------------|-----------|
| | | | | | M.R. L.M. | |
| | | 1 2 3 4 5 6 | | | | |
| | E.B6.11.1 | STRUCTURE, CENTRE FUSELAGE, ASSEMBLY ... | — | — | — | |
| | | (MOD. 1018) Spares for:— | | | | |
| | E.A9.11.2011 | ATTACHMENTS HOISTING ON FLOOR GIRDERS | — | — | — | |
| | | 17 AND 22 (MOD. 2197 - S.O.O.) Spares for:— | | | | |
| 32345 | E.A9.11.2003 | BLOCK , spacing | 2 | DTD.423 | C | |
| 32346 | E.A9.11.2005 | BLOCK , suspension | 1 | S.1 | C | |
| 32347 | E.A9.11.2015 | BLOCK , suspension | 1 | DTD.423 | C | |
| | E.A9.11.2013 | PLATE , side (Make from 10 SWG) | 2 | DTD.124 | LM | |
| | — | BEAMS, REINFORCING BOMB BAY DEFLECTOR | — | — | — | |
| | | AND FOOTSTEPS (BLUE SILK) FRAMES | | | | |
| | | 29 TO 30, ASSEMBLY (E.A9.11.3127) (MOD. 3154) Spares for:— | | | | |
| | E.A9.11.3143 | BEAM , reinforcing, port, assembly | 1 | — | — | |
| | E.A9.11.3133 | BEAM , reinforcing, starboard, assembly | 1 | — | — | |
| | | Attaching parts for E.A9.11.3143 and E.A9.11.3133:— | | | | |
| 28D/9436920 | A25/1C | Bolt, 2 BA | 3 | — | C | |
| 28D/9133011 | A25/2C | Bolt, 2 BA | 3 | — | C | |
| 28M/9403520 | A27/CP | Nut, 2 BA | 4 | — | C | |
| 28M/1278190 | AGS.2001/C/1 | Nut, 2 BA | 2 | — | C | |
| | E.A9.11.3205 | BRACKET , attachment, inboard port, frame 29 ... | 1 | L.65 | — | |
| | E.A9.11.3207 | BRACKET , attachment, outboard port, frame 29 ... | 1 | L.65 | — | |
| | E.A9.11.3206 | BRACKET , attachment, inboard starboard, frame 29 | 1 | L.65 | — | |
| | E.A9.11.3208 | BRACKET , attachment, outboard starboard, frame 29 | 1 | L.65 | — | |
| | | Attaching parts for Brackets:— | | | | |
| 28D/1008151 | A25/4E | Bolt, 1" BSF | 4 | — | C | |
| 28M/1011475 | A27/EP | Nut, 1" BSF | 4 | — | C | |
| 28W/9418921 | SP.13/E | Washer | 4 | — | C | |
| | E.A9.11.3165 | BRACKET , beam, attachment, port, frame 31 ... | 1 | — | — | |
| | E.A9.11.3166 | BRACKET , beam, attachment, starboard, frame 31 | 1 | — | — | |
| | | Attaching parts for E.A9.11.3165 and E.A9.11.3166:— | | | | |
| 28D/9133011 | A25/2C | Bolt, 2 BA | 2 | — | C | |
| 28D/9133012 | A25/3C | Bolt, 2 BA | 1 | — | C | |
| 28D/1200119 | A25/4C | Bolt, 2 BA | 1 | — | C | |
| 28M/9403520 | A27/CP | Nut, 2 BA | 4 | — | C | |
| | E.A9.11.3193 | SHIM , 1/8" thick x 0"003 | 4 | Laminated Alum. | — | |
| 29G/2180 | CARR.882 | STUD | 8 | — | C | |
| | | Attaching parts for 882:— | | | | |
| 28M/9433473 | AGS.2002/C/1 | Nut, 2 BA | 1 | — | — | |

**FUSELAGE
CENTRE FUSELAGE STRUCTURE**

| Ref. No. | Part No. | Description | No. off | Matl. Spec. | Cl. of Equip. | Plate No. |
|-----------|-------------------------------|--|---------|-------------|---------------|-----------|
| | | | | | M.R. L.M. | |
| | E.B6.11.1609 | BULKHEAD, ATTACHMENT AT FRAME 27A, ASSEMBLY | — | — | — | |
| 7275 | E.A3.11.677 | Spares for:— BOLT (Made from A25/4C) | 10 | — | C/MR | |
| 3503 | E.A3.11.15 | BULKHEAD , near fuel tank | 1 | — | A | |
| | E.B6.11.1611 | BULKHEAD, ATTACHMENT AT FRAME 17, ASSEMBLY | — | — | — | |
| | | Spares for:— | | | | |
| 13091 | E.A3.11.655 | BOLT (Make from A25/4E) | 10 | — | C | |
| | E.A1.11.1603 | BOLT , special, attachment, bulkhead to floor girder, at frame 17 | 2 | S.11 | — | |
| | E.A1.11.1605 | BOLT , special, attachment, bulkhead to floor girder, at frame 17 | 5 | S.11 | — | |
| 4773 | E.A1.11.3551 | BULKHEAD , fuel tank, at frame 17 | 1 | — | C | |
| | E.B6.11.1615 | BOMB DOOR JACK MECHANISM AT BULKHEAD, FRAME 13, ASSEMBLY | — | — | — | |
| | | Spares for:— | | | | |
| 233 | E.A1.11.1091 | COLLAR , special, retaining arc link connecting pin at hydraulic jack | 1 | DTD.126A | C | |
| 1781 | E.A1.11.3245 | COLLAR , special, retaining arc link connecting pin at hydraulic jack | 1 | — | C | |
| 27N/7116 | AGS.899/15 | COLLAR , retaining actuating link | 2 | — | C | |
| 4914 | E.A1.11.941 | LINK, ACTUATING CONNECTION, BETWEEN HYDRAULIC JACK AND BOMB DOOR HINGE BRACKET FORWARD END, GROUP | — | — | B/MR | |
| | | Spares for this group are identical with those for group Part No. E.A1.11.941 on page 475 | | | | |
| 1778 | E.A1.11.3261 | LINK , connecting, arc guide, between hydraulic jack and bearing anchor plate forward end | 1 | L.40 | C | |
| 278 | E.A1.11.1087 | PIN , special, hydraulic jack-up bracket connection forward end | 1 | S.11 | C | |
| 1780 | E.A2.11.1301 | PIN , special, connecting actuating link to hydraulic jack, forward end | 2 | S.82 | C | |
| 286 | E.A1.11.1587 | PIN , special, pivot arc stay to anchor bracket ... | 1 | S.11 | C | |
| 28FP/877 | AVIATION DEVS. S.5260/916 | PIN , double lock quick release, connecting actuating stay to bomb door hinge bracket, 5/16" dia. (Mod. 3274) | 2 | — | C | |
| 28FP/1174 | AVIATION DEVS. S.5260/1640 | PIN , double lock quick release, bomb door pivot, 1" dia. | 2 | — | C | |
| 28P/11793 | SP.4Y/R29 | PIN , pivot connecting arc stay to hydraulic jack | 1 | — | C | |
| 293 | E.A1.11.1085 | SLEEVE , bearing, main bomb door pivot | 2 | S.11 | C | |
| 1779 | E.A2.11.881 | WASHER , spherical seating at stay connection to hydraulic jack ram forward | 4 | — | C | |

**FUSELAGE
CENTRE FUSELAGE STRUCTURE**

| Ref. No. | Part No. | Description | | | | | | No. off | Matl. Spec. | Cl. of Equip. | Plate No. |
|-------------|-------------------------------|---|---|---|---|---|---|---------|-------------|---------------|-----------|
| | | 1 | 2 | 3 | 4 | 5 | 6 | | | M.R. L.M. | |
| | E.B6.11.1617 | BOMB DOOR JACK MECHANISM AT BULKHEAD, FRAME 29, ASSEMBLY | | | | | | — | — | — | |
| 234 | E.A1.11.1105 | Spares for:— COLLAR , retaining hydraulic jack pick-up brake connecting pin, aft | | | | | | 1 | DTD.126A | C | |
| 28N/9513425 | AGS.899/12 | COLLAR , retaining hydraulic jack pick-up bracket connecting pin, forward | | | | | | 1 | — | C | |
| 28N/6924 | AGS.899/18 | COLLAR , retaining hydraulic jack pick-up bracket connecting pin, aft | | | | | | 1 | — | C | |
| 28N/12242 | AGS.899/19 | COLLAR , retaining actuating link pin, aft ... | | | | | | 2 | — | C | |
| 4913 | E.A1.11.817 | LINK ACTUATING CONNECTION, BETWEEN HYDRAULIC JACK AND BOMB DOOR HINGE BRACKET REAR END, GROUP Spares for this group are identical with those for group Part No. E.A1.11.817 on page 475 | | | | | | 2 | — | B/MR | |
| 273 | E.A1.11.937 | LINK , connecting arc guide, between hydraulic jack and anchor plate, rear end | | | | | | 1 | L.40 | C | |
| 280 | E.A1.11.1103 | PIN , pivot, for arc link at anchor bracket ... | | | | | | 1 | S.11 | C | |
| 281 | E.A1.11.1107 | PIN , hydraulic pick-up bracket connection, aft ... | | | | | | 1 | S.11 | C | |
| 282 | E.A1.11.1109 | PIN , connecting actuating link to hydraulic jack, aft | | | | | | 2 | — | C | |
| 28FP/1173 | AVIATION DEVS. S.5260/1218 | PIN , double quick release, connecting actuating stay to bomb door hinge bracket $\frac{1}{2}$ " dia. (Mod. 3274) | | | | | | 2 | — | C | |
| 28FP/1174 | AVIATION DEVS. S.5260/1640 | PIN , double lock quick release bomb door pivot 1" dia. (Mod. 3274) | | | | | | 2 | — | C | |
| 293 | E.A1.11.1085 | SLEEVE , bearing, main bomb door pivot ... | | | | | | 2 | S.11 | C | |
| 295 | E.A1.11.1101 | WASHER , spherical sealing at stay connection to hydraulic jack ram, aft | | | | | | 4 | S.82 | C | |
| 3080 | E.A1.11.1097 | DOOR, BOMB, PORT GROUP (PRE-MOD. 2197) Spares for this group are identical with those for group Part No. E.A1.11.1097 on page 469 | | | | | | 1 | — | A | |
| 3081 | E.A1.11.1098 | DOOR, BOMB, STARBOARD, GROUP (PRE-MOD. 2197) Spares for this group are identical with those for group Part No. E.A1.11.1098 on page 471 | | | | | | 1 | — | A | |
| 13122 | E.A9.11.2051 | DOOR, BOMB, PORT, GROUP (MOD. 2197 - S.O.O.) Spares for this group are identical with those for group Part No. E.A1.11.1097 on page 469 | | | | | | 1 | — | A | |
| 13123 | E.A9.11.2052 | DOOR, BOMB, STARBOARD GROUP (MOD. 2197 - S.O.O.) Spares for this group are identical with those for group Part No. E.A1.11.1098 on page 471 | | | | | | 1 | — | A | |

**FUSELAGE
CENTRE FUSELAGE STRUCTURE**

| Ref. No. | Part No. | Description | No. off | Matl. Spec. | Cl. of Equip. | | Plate No. |
|-------------|------------------|--|---------|-------------|---------------|------|-----------|
| | | | | | M.R. | L.M. | |
| | | 1 2 3 4 5 6 | | | | | |
| | E.B6.11.5051 | GIRDER FLOOR AT FRAME 27, MODIFICATION FOR BOMB BAY AIR DEFLECTOR (MOD. 3420) | — | — | — | | |
| | E.B6.11.5057 | Spares for:— BLOCK, front, port, deflector pick-up point at frame 27 | 1 | DTD.683 | — | | |
| | E.B6.11.5058 | BLOCK, front, starboard, deflector pick-up point at frame 27A | 1 | DTD.683 | — | | |
| | | Attaching parts for E.B6.11.5058:— | | | | | |
| | 7275 E.A3.11.677 | Bolt: | 10 | — | C | | |
| 28D/9436920 | A25/1C | Bolt: 2 BA | 4 | — | C | | |
| 28D/1011019 | A25/BC | Bolt: 2 BA | 3 | — | C | | |
| 28D/9140645 | A25/10C | Bolt: 2 BA | 2 | — | C | | |
| 28D/9435710 | A25/11C | Bolt: 2 BA | 3 | — | C | | |
| 28D/9419397 | A25/12C | Bolt: 2 BA | 3 | — | C | | |
| 28D/9133014 | A25/13C | Bolt: 2 BA | 1 | — | C | | |
| 28D/9140647 | A25/14C | Bolt: 2 BA | 3 | — | C | | |
| 28M/9433473 | AGS.2002/C/1 | Nut: 2 BA | 13 | — | C | | |
| 6254 | E.A1.12.391 | Packing, taper | 12 | — | C | | |
| 28W/1006946 | AGS.2035/C | Washer | 4 | — | C | | |
| 28W/9419475 | SP.15/C | Washer | 15 | — | C | | |
| 28W/9416643 | SP.47/C | Washer | 1 | — | C | | |
| | E.B6.11.5055 | BLOCK, ASSEMBLY, PORT DEFLECTOR PICK-UP POINT AT FRAME 27B | 1 | — | — | | |
| | | Spares for:— | | | | | |
| | E.B6.11.5103 | BLOCK | 1 | DTD.683 | — | | |
| | E.B6.11.5105 | PLATE | 1 | DTD.687 | — | | |
| | E.B6.11.5056 | BLOCK, ASSEMBLY, REAR, STARBOARD DEFLECTOR PICK-UP POINT AT FRAME 27B | 1 | — | — | | |
| | | Spares for:— | | | | | |
| | E.B6.11.5104 | BLOCK | 1 | DTD.683 | — | | |
| | E.B6.11.5105 | PLATE | 1 | DTD.687 | — | | |
| | | Attaching parts for E.B6.11.5103, E.B6.11.5104 and E.B6.11.5105:— | | | | | |
| 28D/1214032 | AS.1242/9C | Bolt: 2 BA | 5 | — | C | | |
| 28M/9433473 | AGS.2002/C/1 | Nut: 2 BA | 5 | — | C | | |
| 28W/9419475 | SP.15/C | Washer | 5 | — | C | | |
| | | Attaching parts for E.B6.11.5055 and E.B6.11.5056:— | | | | | |
| | E.A9.11.987 | Bolt: | 5 | — | — | | |
| 28D/9436920 | A25/1C | Bolt: 2 BA | 3 | — | C | | |
| 28D/9140645 | A25/10C | Bolt: 2 BA | 6 | — | C | | |
| 28D/9435710 | A25/11C | Bolt: 2 BA | 3 | — | C | | |
| 28M/9433473 | AGS.2002/C/1 | Nut: 2 BA | 8 | — | C | | |
| 28W/1006946 | AGS.2035/C | Washer | 3 | — | C | | |
| 28W/9419475 | SP.15/C | Washer | 9 | — | C | | |
| 28W/9416643 | SP.47/C | Washer | 1 | — | C | | |

**FUSELAGE
CENTRE FUSELAGE STRUCTURE**

| Ref. No. | Part No. | Description | | | | | | No. Off | Matl. Spec. | Cl. of Equip. | | Plate No. |
|-------------|--------------|-------------|---|---|---|---|---|---------|-------------|---------------|------|-----------|
| | | 1 | 2 | 3 | 4 | 5 | 6 | | | M.R. | L.M. | |
| | E.B6.11.5063 | | | | | | | 1 | — | — | | |
| | E.B6.11.5064 | | | | | | | 1 | — | — | | |
| | E.B6.11.5065 | | | | | | | 1 | — | — | | |
| | E.B6.11.5066 | | | | | | | 1 | — | — | | |
| | | | | | | | | | | | | |
| | | | | | | | | | | | | |
| 28D/9140645 | A25/10C | | | | | | | 1 | — | — | C | |
| | E.B6.11.5113 | | | | | | | 1 | — | — | — | |
| 28W/9416643 | SP.47/C | | | | | | | 1 | — | — | C | |
| | E.B6.11.5119 | | | | | | | 2 | — | — | — | |
| | E.B6.11.5 | | | | | | | — | — | — | — | |
| 11951 | E.B6.11.957 | | | | | | | 1 | L.72 | — | C | |
| 11952 | E.B6.11.959 | | | | | | | 1 | L.72 | — | C | |
| | E.B6.11.1587 | | | | | | | — | — | — | — | |
| 3082 | E.A1.11.427 | | | | | | | 1 | — | — | B | |
| | E.B6.11.7 | | | | | | | — | — | — | — | |
| | E.B6.11.1001 | | | | | | | — | — | — | — | |
| | E.B6.11.1127 | | | | | | | — | — | — | — | |
| 4745 | E.A1.11.199 | | | | | | | 1 | — | — | B/MR | |
| 3652 | E.A3.11.135 | | | | | | | 1 | L.72 | — | C | |
| | E.B6.11.1003 | | | | | | | — | — | — | — | |
| | E.B6.11.17 | | | | | | | 1 | — | — | — | |
| 6694 | E.A1.11.867 | | | | | | | 1 | L.45 | — | C | |
| | E.B6.11.1019 | | | | | | | — | — | — | — | |
| | E.A1.11.51 | | | | | | | 1 | — | — | — | |
| | E.A1.11.2359 | | | | | | | 1 | — | — | — | |
| 6467 | E.A1.11.1789 | | | | | | | 4 | — | — | MR | |
| 6466 | E.A1.11.1787 | | | | | | | 4 | — | — | MR | |
| 6469 | E.A1.11.1793 | | | | | | | 4 | — | — | MR | |
| 6468 | E.A1.11.1791 | | | | | | | 4 | — | — | MR | |
| 5322 | E.A1.11.865 | | | | | | | 2 | — | — | B/MR | |
| 4476 | E.A1.11.801 | | | | | | | 1 | — | — | C | |
| 4477 | E.A1.11.802 | | | | | | | 1 | — | — | C | |

**FUSELAGE
CENTRE FUSELAGE STRUCTURE**

| Ref. No. | Part No. | Description | | | | | | No. Off | Matl. Spec. | Cl. of Equip. M.R. L.M. | Plate No. |
|--------------|----------------|--|---|---|---|---|---|---------|--------------|-------------------------------|-----------|
| | | 1 | 2 | 3 | 4 | 5 | 6 | | | | |
| | E.B6.11.1035 | STRUCTURE AT FRAME 29, ASSEMBLY ... | | | | | | — | — | — | |
| | | Spares for:— | | | | | | | | | |
| 261 | E.A1.11.871 | BULKHEAD, REAR BOMB BAY, ASSEMBLY | | | | | | 1 | — | A/MR | |
| | | Spares for:— | | | | | | | | | |
| | E.B6.11.2339 | COMPASS ALIGNMENT POINT (MOD.2646) | | | | | | — | — | — | |
| | | Spares for:— | | | | | | | | | |
| 25352 | E.A9.11.847 | BLOCK, attachment | | | | | | 1 | L.64 or L.40 | MR | |
| | | Attaching parts for E.A9.11.847:— | | | | | | | | | |
| 28D/9133012 | A25/3C | Bolt, 2 BA | | | | | | 2 | — | C | |
| 28M/1278190 | AGS.2001/C/1 | Nut, 2 BA | | | | | | 2 | — | C | |
| 28W/9419475 | SP.15/C | Washer | | | | | | 2 | — | C | |
| | — | DOOR, ACCESS, BOMB BAY INSPECTION, ASSEMBLY (E.A9.11.3129) (MOD.3154) | | | | | | | | | |
| | | Spares for:— | | | | | | | | | |
| 12229 | E.A3.11.859 | BRACKET, access, door hinge, L.H. ... | | | | | | 1 | DTD.683 | C | |
| 12230 | E.A3.11.860 | BRACKET, access, door hinge, R.H. ... | | | | | | 1 | DTD.683 | C | |
| 12227 | E.A3.11.855 | DOOR ACCESS, GROUP | | | | | | 1 | — | B | |
| | | Spares for:— | | | | | | | | | |
| | AVIATION DEVS. | | | | | | | | | | |
| 28FP/9713920 | A.411 | PIN, "Pip", quick release | | | | | | 1 | — | C | |
| 12228 | E.A3.11.867 | RING, sealing | | | | | | 1 | Neo-K-Tex | C | |
| 23028 | E.A3.11.861 | SHIM, access, door hinge | | | | | | 1 | Lam. Alum. | MR | |
| 38662 | E.A9.11.3203 | LUG, deflector, pick-up (Mod. 3154) ... | | | | | | 2 | L.65 | MR | |
| | | Attaching parts for E.A9.11.3203:— | | | | | | | | | |
| 28D/9133013 | A25/5C | Bolt, 2 BA | | | | | | 2 | — | C | |
| 28D/1007976 | AS.1242/4C | Bolt, 2 BA | | | | | | 6 | — | C | |
| 28M/9403520 | A27/CP | Nut, 2 BA | | | | | | 2 | — | C | |
| 28M/1278190 | AGS.2001/C/1 | Nut, 2 BA | | | | | | 6 | — | C | |
| 38668 | EEAS.238/2B | Washer, "D" | | | | | | 6 | — | C | |
| 31876 | E.A1.11.965 | LUG, attachment, L.H. | | | | | | 1 | — | C | |
| 4037 | E.A1.11.966 | LUG, attachment, R.H. | | | | | | 1 | — | C | |
| | E.B6.11.1275 | STRUCTURE AT BOMB BEAM, ASSEMBLY ... | | | | | | — | — | — | |
| | | Spares for:— | | | | | | | | | |
| 7413 | E.A1.11.317 | BEAM, bomb | | | | | | 1 | — | A/MR | |
| 7425 | E.A1.11.3213 | BOLT, fixing bomb beam to main spar girder. (Port only) | | | | | | 2 | M.S. | C/MR | |
| | E.B6.11.1325 | STRUCTURE AROUND CAMERA WINDOW ASSEMBLY | | | | | | — | — | — | |
| | | Spares for:— | | | | | | | | | |
| 263 | E.A1.11.629 | GLASS, camera, frame 10$\frac{1}{4}$" x $\frac{1}{4}$" | | | | | | 1 | Glass | C | |
| 4266 | E.A1.11.537 | RING, reinforcing camera opening | | | | | | 1 | — | C/MR | |
| 266 | E.A1.11.541 | RING, reinforcing camera opening | | | | | | 1 | L.72 | C | |
| | E.B6.11.53 | SKIN PANEL FRAMES 16-18, STARBOARD, ASSEMBLY | | | | | | — | — | — | |
| | | Spares for:— | | | | | | | | | |
| | E.B6.11.1298 | BRACKET, MOUNTING UNDERCARRIAGE DOOR HINGE AND VALVE, ASSEMBLY | | | | | | — | — | — | |
| | | Spares for:— | | | | | | | | | |
| 255 | E.A1.11.1007 | BRACKET, mounting undercarriage door hinge | | | | | | 1 | — | C | |
| 734 | E.A1.11.1009 | BRACKET, mounting undercarriage door hinge | | | | | | 1 | — | C | |

**FUSELAGE
CENTRE FUSELAGE STRUCTURE**

| Ref. No. | Part No. | Description | No. Off | Matl. Spec. | Cl. of Equip. | | Plate No. |
|-------------|--------------|---|---------|------------------|---------------|------|-----------|
| | | | | | M.R. | L.M. | |
| | E.B6.11.83 | SKIN, PANEL BOTTOM, FRAMES 12-13, ASSEMBLY | — | — | — | — | |
| | | Spares for:— | | | | | |
| 3406 | E.A1.11.3355 | PLUG , sealing | 2 | Sorbo Rubber | C | | |
| 1468 | EEAS.1/2C | SCREW , 2 BA | 21 | S.96 | C | | |
| | E.A3.11.123 | SEAL , rubber, 62" long (Made from Ref. 4431) | 1 | Synthetic Rubber | LM | | |
| 267 | E.A1.11.673 | STRIP , retaining, identification lamp window ... | 1 | L.72 | C | | |
| 268 | E.A1.11.669 | WINDOW , identification lamp | 1 | DTD.339 | C | | |
| | E.B6.11.87 | SKIN, PANEL, FRAMES 16-18, PORT, ASSEMBLY | — | — | — | | |
| | | Spares for:— | | | | | |
| | E.B6.11.1297 | BRACKET, MOUNTING, UNDERCARRIAGE DOOR HINGE AND VALVE, ASSEMBLY | — | — | — | | |
| | | Spares for:— | | | | | |
| 255 | E.A1.11.1007 | BRACKET , mounting, undercarriage door hinge | 1 | — | C | | |
| 7344 | E.A1.11.1009 | BRACKET , mounting, undercarriage door operating valve | 1 | — | C | | |
| | E.B6.11.89 | SKIN, PANEL, SIDE, L.H., FRAMES 18-21, ASSEMBLY | — | — | — | | |
| | E.B6.11.90 | SKIN, PANEL, SIDE, R.H., FRAMES 18-21, ASSEMBLY | — | — | — | | |
| | | Spares for:— | | | | | |
| 1439244 | E.B6.11.987 | BRACKET , aft hinge, undercarriage door, L.H. | 1 | L.73 | C | | |
| 36859 | E.B6.11.988 | BRACKET , aft hinge, undercarriage door, R.H. | 1 | L.73 | MR | | |
| | | Attaching parts for E.B6.11.987 and E.B6.11.988 | | | | | |
| 28D/9133012 | A25/3C | Bolt, 2 BA | 3 | — | C | | |
| 28M/9403520 | A27/CP | Nut, 2 BA | 3 | — | C | | |
| 7352 | E.A3.11.819 | Shim | 1 | — | C | | |
| 28W/9419402 | SP.13/C | Washer | 3 | — | C | | |
| | E.B6.11.97 | SKIN, PANEL BOTTOM, FRAMES 29-31, ASSEMBLY | — | — | — | | |
| | | Spares for:— | | | | | |
| 265 | E.A1.11.547 | PLATE , cover, camera window | 1 | L.73 | C | | |
| 3406 | E.A1.11.3355 | PLUG , sealing | 1 | Sorbo Rubber | C | | |
| | E.A3.11.125 | SEAL , 51" x 5" long (Make from Ref. 4431) ... | 1 | Synthetic Rubber | LM | | |
| | E.B6.11.9 | ROOF UNIT, ASSEMBLY | — | — | — | | |
| | | Spares for:— | | | | | |
| 9527 | E.A1.11.3173 | ANGLE , landing, wing, port centre | 1 | — | C | | |
| 9528 | E.A1.11.3174 | ANGLE , landing, wing, starboard centre | 1 | — | C | | |
| 18187 | E.A1.11.3175 | ANGLE , landing, wing, port forward | 1 | L.72 | C | | |
| 21880 | E.A1.11.3176 | ANGLE , landing, wing, starboard forward ... | 1 | L.72 | C | | |
| | E.B6.11.71 | SKIN, PANEL, FRAMES 12-17, TOP, ASSEMBLY | — | — | — | | |
| | | Spares for:— | | | | | |
| 12205 | E.B6.57.53 | FITTING , drain outlet | 1 | — | C | | |
| 291 | E.A1.11.771 | PLATE , attachment, filler cap (Pre-Mod. 4066) | 3 | L.73 | C | | |
| | E.B6.11.5165 | PLATE , cover, filler cap (Mod. 4066) | 3 | L.73 | — | | |
| 288 | E.A1.11.1655 | PLATE , cover, access for fuel tank nitrogen and vent system coupling, between frames 16 and 17, starboard (Pre-Mod. 4066) | 1 | — | C | | |
| | E.B6.11.5161 | PLATE , access cover (Mod. 4066) | 1 | L.73 | — | | |
| 289 | E.A1.11.1657 | PLATE , cover, access, for fuel tank nitrogen and vent system couplings, between frames 12 and 13 | 1 | — | C | | |

**FUSELAGE
CENTRE FUSELAGE STRUCTURE**

| Ref. No. | Part No. | Description | | | | | | No. Off | Matl. Spec. | Cl. of Equip. M.R. L.M. | Plate No. |
|----------|------------------------------|-------------|---|---|---|---|---|---------|-------------|-------------------------------|-----------|
| | | 1 | 2 | 3 | 4 | 5 | 6 | | | | |
| 1025 | EEAS.1/1C | | | | | | | 37 | S.96 | C | |
| 1026 | EEAS.1/1½"C E.B6.11.73 | | | | | | | 43 | S.96 | C | |
| | | | | | | | | — | — | — | |
| | | | | | | | | | | | |
| 12205 | E.B6.57.53 E.A3.11.1181 | | | | | | | 2 | — | C | |
| | | | | | | | | — | — | — | |
| | | | | | | | | | | | |
| 6509 | E.A3.11.1149 E.B6.11.5175 | | | | | | | 1 | L.73 | C | |
| | | | | | | | | — | — | — | |
| | | | | | | | | | | | |
| | E.B6.11.5199 | | | | | | | 1 | — | — | |
| 1027 | EEAS.1/2½C | | | | | | | 28 | — | C | |
| 1565 | EEAS.1/3½C | | | | | | | 4 | — | C | |
| 1034 | EEAS.1/3E | | | | | | | 8 | — | C | |
| 1026 | EEAS.1/1½C | | | | | | | 28 | S.96 | C | |
| 1027 | EEAS.1/2½C | | | | | | | 4 | S.96 | C | |
| 1033 | EEAS.1/2½E | | | | | | | 8 | S.96 | C | |
| 291 | E.A1.11.771 | | | | | | | 2 | L.73 | C | |
| 292 | E.A1.11.1651 | | | | | | | 1 | — | C | |
| | | | | | | | | | | | |
| | E.B6.11.5163 | | | | | | | 1 | — | — | |
| 290 | E.A1.11.1653 | | | | | | | 1 | — | C | |
| | | | | | | | | | | | |
| | E.B6.11.5159 | | | | | | | 1 | L.73 | — | |
| 1025 | EEAS.1/1C | | | | | | | 64 | S.96 | C | |
| 1026 | EEAS.1/1½C E.B6.11.77 | | | | | | | 48 | S.96 | C | |
| | | | | | | | | — | — | — | |
| | | | | | | | | | | | |
| 2463 | E.A1.11.3323 | | | | | | | 1 | S.96 | C | |
| | | | | | | | | | | | |
| | E.B6.11.78 | | | | | | | — | — | — | |
| | | | | | | | | | | | |
| 2464 | E.A1.11.3324 | | | | | | | 1 | S.96 | C | |

Pages ~~487~~ to 498 not issued

AL 18 487

FUSELAGE
CENTRE FUSELAGE STRUCTURE

| Ref. No. | Part No. | Description | | | | | | No. off | Matl. Spec. | Cl. of Equip. | Place No. |
|---|-------------|---|---|---|---|---|---|---------|-------------|---------------|-----------|
| | | 1 | 2 | 3 | 4 | 5 | 6 | | | M.R. L.M. | |
| SUMMARY OF STOCK ITEMS USED ON CENTRE FUSELAGE STRUCTURE, ASSEMBLY | | | | | | | | | | | |
| 28D/1010658 | A25/1B | Bolt, 4 BA, hex. head, "5 long ... | | | | | | | | C | |
| 28D/9436920 | A25/1C | Bolt, 2 BA, hex. head, "55 long ... | | | | | | | | C | |
| 28D/9133011 | A25/2C | Bolt, 2 BA, hex. head, "6 long ... | | | | | | | | C | |
| 28D/9133012 | A25/3C | Bolt, 2 BA, hex. head, "75 long ... | | | | | | | | C | |
| 28D/1200119 | A25/4C | Bolt, 2 BA, hex. head, "8 long ... | | | | | | | | C | |
| 28D/9133013 | A25/5C | Bolt, 2 BA, hex. head, "9 long ... | | | | | | | | C | |
| 28D/7002428 | A25/6C | Bolt, 2 BA, hex. head, 1" long ... | | | | | | | | C | |
| 28D/9140644 | A25/9C | Bolt, 2 BA, hex. head, 1"35 long ... | | | | | | | | C | |
| 28D/1011238 | A25/3E | Bolt, 1/2" BSF, hex. head, "75 long ... | | | | | | | | C | |
| 28D/1008151 | A25/4E | Bolt, 1/2" BSF, hex. head, "9 long ... | | | | | | | | C | |
| 28D/1011240 | A25/5E | Bolt, 1/2" BSF, hex. head, 1" long ... | | | | | | | | C | |
| 28D/1008146 | A25/6E | Bolt, 1/2" BSF, hex. head, 1"1 long ... | | | | | | | | C | |
| 28D/1011242 | A25/7E | Bolt, 1/2" BSF, hex. head, 1"2 long ... | | | | | | | | C | |
| 28D/1010031 | A25/8E | Bolt, 1/2" BSF, hex. head, 1"25 long ... | | | | | | | | C | |
| 28D/1011244 | A25/9E | Bolt, 1/2" BSF, hex. head, 1"4 long ... | | | | | | | | C | |
| 28D/1011246 | A25/11E | Bolt, 1/2" BSF, hex. head, 1"6 long ... | | | | | | | | C | |
| 28D/1011247 | A25/13E | Bolt, 1/2" BSF, hex. head, 1"8 long ... | | | | | | | | C | |
| 28D/7002413 | A25/14E | Bolt, 1/2" BSF, hex. head, 1"9 long ... | | | | | | | | C | |
| 28D/1011255 | A25/3G | Bolt, 3/8" BSF, hex. head, "85 long ... | | | | | | | | C | |
| 28D/1202771 | A25/4G | Bolt, 3/8" BSF, hex. head, "9 long ... | | | | | | | | C | |
| 28D/1011256 | A25/5G | Bolt, 3/8" BSF, hex. head, 1"05 long ... | | | | | | | | C | |
| 28D/7002427 | A25/6G | Bolt, 3/8" BSF, hex. head, 1"1 long ... | | | | | | | | C | |
| 28D/1011259 | A25/10G | Bolt, 3/8" BSF, hex. head, 1"5 long ... | | | | | | | | C | |
| 28D/1212387 | A25/14G | Bolt, 3/8" BSF, hex. head, 1"9 long ... | | | | | | | | C | |
| 28D/1011300 | A25/7J | Bolt, 3/8" BSF, hex. head, 1"35 long ... | | | | | | | | C | |
| 28D/1011302 | A25/10J | Bolt, 3/8" BSF, hex. head, 1"65 long ... | | | | | | | | C | |
| 28D/1213581 | A25/6L | Bolt, 3/8" BSF, hex. head, 1"3 long ... | | | | | | | | C | |
| 28D/1213588 | A25/7L | Bolt, 3/8" BSF, hex. head, 1"4 long ... | | | | | | | | C | |
| 28D/1007285 | AS.1242/1B | Bolt, 4 BA, c'sk. head, "45 long ... | | | | | | | | C | |
| 28D/1007973 | AS.1242/2B | Bolt, 4 BA, c'sk. head, "55 long ... | | | | | | | | C | |
| 28D/1007468 | AS.1242/3B | Bolt, 4 BA, c'sk. head, "65 long ... | | | | | | | | C | |
| 28D/1007319 | AS.1242/4B | Bolt, 4 BA, c'sk. head, "75 long ... | | | | | | | | C | |
| 28D/9133031 | AS.1242/6B | Bolt, 4 BA, c'sk. head, "55 long ... | | | | | | | | C | |
| 28D/1214091 | AS.1242/2C | Bolt, 2 BA, c'sk. head, "6 long ... | | | | | | | | C | |
| 28D/9709461 | AS.1242/3C | Bolt, 2 BA, c'sk. head, "7 long ... | | | | | | | | C | |
| 28D/1007976 | AS.1242/4C | Bolt, 2 BA, c'sk. head, "8 long ... | | | | | | | | C | |
| 28D/1013117 | AS.1242/2E | Bolt, 3/8" BSF, c'sk. head, "65 long ... | | | | | | | | C | |
| 28D/1212730 | AS.1242/30E | Bolt, 3/8" BSF, c'sk. head, 3"45 long ... | | | | | | | | C | |
| 28D/1007979 | AS.1246/1B | Bolt, 4 BA, round head, "45 long ... | | | | | | | | C | |
| 28D/1215329 | AS.1246/3E | Bolt, 1/2" BSF, round head, "75 long ... | | | | | | | | C | |
| 28D/9140202 | AS.1248/1C | Bolt, 2 BA, mushroom head, "5 long ... | | | | | | | | C | |
| 28D/9137409 | AS.1248/2C | Bolt, 2 BA, mushroom head, "5 long ... | | | | | | | | C | |
| 28D/9140203 | AS.1248/3C | Bolt, 2 BA, mushroom head, "7 long ... | | | | | | | | C | |
| 28D/1215079 | AS.1248/6C | Bolt, 2 BA, hex. head, 1" long ... | | | | | | | | C | |
| 28M/9403519 | A27/BP | Nut, 4 BA, plain ... | | | | | | | | C | |
| 28M/1006504 | A27/BT | Nut, 4 BA, thin ... | | | | | | | | C | |
| 28M/9403520 | A27/CP | Nut, 2 BA, plain ... | | | | | | | | C | |
| 28M/1006473 | A27/CT | Nut, 2 BA, thin ... | | | | | | | | C | |

FUSELAGE
CENTRE FUSELAGE STRUCTURE

| Ref. No. | Part No. | Description | | | | | | No. off | Matl. Spec. | Cl. of Equip. | Plate No. |
|-------------|--------------|---------------|--------------|----------------|------|-----|-----|---------|-------------|---------------|-----------|
| | | 1 | 2 | 3 | 4 | 5 | 6 | | | M.R. L.M. | |
| 28M/1011475 | A27/EP | Nut, 1/2" | BSF, | plain | ... | ... | ... | ... | | C | |
| 28M/1006939 | A27/GP | Nut, 1/8" | BSF, | plain | ... | ... | ... | ... | | C | |
| 28M/1011470 | A27/GT | Nut, 1/8" | BSF, | thin | ... | ... | ... | ... | | C | |
| 28M/1207755 | A27/LT | Nut, 1/8" | BSF, | thin | ... | ... | ... | ... | | C | |
| 28M/13705 | A27/ST | Nut, 1/2" | BSF, | thin | ... | ... | ... | ... | | C | |
| 28M/1278189 | AGS.2001/B/1 | Nut, stiff, | 4 BA | ... | ... | ... | ... | ... | | C | |
| 28M/1278190 | AGS.2001/C/1 | Nut, stiff, | 2 BA | ... | ... | ... | ... | ... | | C | |
| 28M/10292 | AGS.2001/J/1 | Nut, stiff, | 1/2" | BSF | ... | ... | ... | ... | | C | |
| 28M/10326 | AGS.2002/A/1 | Nut, stiff, | 6 BA | ... | ... | ... | ... | ... | | C | |
| 28M/12050 | AGS.2007/C/3 | Nut, plate, | 2 BA, | "Aerotight" | ... | ... | ... | ... | | C | |
| 28P/9496825 | SP.90/C9 | Pin, split | ... | ... | ... | ... | ... | ... | | C | |
| 28P/19576 | SP.90/H9 | Pin, split | ... | ... | ... | ... | ... | ... | | C | |
| 28P/19242 | SP.90/H13 | Pin, split | ... | ... | ... | ... | ... | ... | | C | |
| 28P/1072012 | SP.90/K13 | Pin, split | ... | ... | ... | ... | ... | ... | | C | |
| 28P/9486478 | SP.90/C6 | Pin, split | ... | ... | ... | ... | ... | ... | | C | |
| 28P/9130722 | SP.4Y/B2 | Pin, shackle, | 1/8" | dia. x "3 long | ... | ... | ... | ... | | C | |
| 28P/12243 | SP.4Y/R33 | Pin, shackle | ... | ... | ... | ... | ... | ... | | C | |
| 28S/1200033 | A31/B24 | Screw, 4 BA, | cheese head, | 1/2" | long | ... | ... | ... | | C | |
| 28S/1200058 | A33/A12 | Screw, 6 BA, | c'sk. head, | 1/2" | long | ... | ... | ... | | C | |
| 28W/9419465 | SP.13/B | Washer, 4 BA, | plain | ... | ... | ... | ... | ... | | C | |
| 28W/9419402 | SP.13/C | Washer, 2 BA, | plain, | ... | ... | ... | ... | ... | | C | |
| 28W/9418921 | SP.13/E | Washer, 1" | BSF, plain | ... | ... | ... | ... | ... | | C | |
| 28W/7000392 | SP.14/E | Washer, 1" | BSF, spring | ... | ... | ... | ... | ... | | C | |
| 28W/9419474 | SP.15/B | Washer, 4 BA, | plain | ... | ... | ... | ... | ... | | C | |
| 28W/9419475 | SP.15/C | Washer, 2 BA, | plain | ... | ... | ... | ... | ... | | C | |
| 28W/9419405 | SP.15/E | Washer, 1" | BSF, plain | ... | ... | ... | ... | ... | | C | |
| 28W/9419476 | SP.15/G | Washer, 1/2" | BSF, plain | ... | ... | ... | ... | ... | | C | |
| 28W/9419481 | SP.15/Q | Washer, 1/2" | BSF, plain | ... | ... | ... | ... | ... | | C | |
| 28W/9419479 | SP.15/N | Washer, 1" | BSF, plain | ... | ... | ... | ... | ... | | C | |
| 28W/9419404 | SP.16/C | Washer, 2 BA, | plain | ... | ... | ... | ... | ... | | C | |
| 28W/9419490 | SP.16/L | Washer, 1/2" | BSF, plain | ... | ... | ... | ... | ... | | C | |
| 28W/9419493 | SP.16/Q | Washer, 1/2" | BSF, plain | ... | ... | ... | ... | ... | | C | |
| 28W/9419494 | SP.16/S | Washer, 1" | BSF, plain | ... | ... | ... | ... | ... | | C | |
| 28W/9416642 | SP.47/B | Washer, 4 BA, | spring | ... | ... | ... | ... | ... | | C | |
| 28W/9416643 | SP.47/C | Washer, 2 BA, | spring | ... | ... | ... | ... | ... | | C | |
| 28W/9416644 | SP.47/E | Washer, 1" | BSF, spring | ... | ... | ... | ... | ... | | C | |
| 28W/9416645 | SP.47/G | Washer, 1/2" | BSF, spring | ... | ... | ... | ... | ... | | C | |
| 28W/9416646 | SP.47/J | Washer, 1/2" | BSF, spring | ... | ... | ... | ... | ... | | C | |
| 28W/9464922 | AGS.586/C | Washer, 2 BA, | spring | ... | ... | ... | ... | ... | | C | |
| 28W/6308 | AGS.586/D | Washer, 1" | BSF, spring | ... | ... | ... | ... | ... | | C | |

NOTE: Pages 501 and 502 not issued

**FUSELAGE
FRONT PORTION**

| Ref. No. | Part No. | Description | | | | | | No. off | Matl. Spec. | Cl. of Equip. M.R. L.M. | Plate No. |
|-------------|--------------|---|---|---|---|---|---|---------|-------------|-------------------------------|-----------|
| | | 1 | 2 | 3 | 4 | 5 | 6 | | | | |
| | E.B6.10.1 | FRONT, FUSELAGE, ASSEMBLY | | | | | | 1 | — | — | |
| | | Spares for:— | | | | | | | | | |
| 4343 | E.A3.10.391 | ARM , steady, L.H., for escape hatch explosive bolt | | | | | | 1 | — | C | |
| 4344 | E.A3.10.392 | ARM , steady, R.H., for escape hatch explosive bolt | | | | | | 1 | — | C | |
| 4350 | E.A3.10.561 | ARM , steady, for escape hatch explosive bolt ... | | | | | | 24 | — | C | |
| | | Attaching parts for E.A3.10.391, E.A3.10.392 and E.A3.10.561:— | | | | | | | | | |
| 28D/1212940 | A61/2C | Bolt; 2 BA | | | | | | 2 | — | C | |
| 28M/10281 | AGS.2001/C/3 | Nut; 2 BA | | | | | | 2 | — | C | |
| 5280 | E.A3.10.651 | Shim | | | | | | QR | — | C | |
| 4794 | E.A3.10.2551 | ARM , steady, L.H., for escape hatch explosive bolt | | | | | | 1 | L.72 | C | |
| 4795 | E.A3.10.2552 | ARM , steady, R.H., for escape hatch explosive bolt | | | | | | 1 | L.72 | C | |
| | | Attaching parts for E.A3.10.2551 and E.A3.10.2552:— | | | | | | | | | |
| 28D/1212941 | A61/3C | Bolt; 2 BA | | | | | | 2 | — | C | |
| 28M/10281 | AGS.2001/C/3 | Nut; 2 BA | | | | | | 2 | — | C | |
| 5281 | E.A3.10.2549 | Shim | | | | | | 4 | — | C | |
| 4796 | E.A3.10.2583 | ARM , steady, for escape hatch explosive bolt ... | | | | | | 3 | — | C | |
| 4797 | E.A3.10.2584 | ARM , steady, for escape hatch explosive bolt ... | | | | | | 3 | — | C | |
| | | Attaching parts for E.A3.10.2583 and E.A3.10.2584:— | | | | | | | | | |
| 28D/1212941 | A61/3C | Bolt; 2 BA | | | | | | 2 | — | C | |
| 28M/10281 | AGS.2001/C/3 | Nut; 2 BA | | | | | | 2 | — | C | |
| 5280 | E.A3.10.651 | Shim | | | | | | QR | — | C | |
| 129 | E.A1.10.1029 | BOLT , explosive, navigator's escape hatch | | | | | | 34 | DTD.683 | C | |
| | E.A3.10.6165 | BRACKET, BUTT-CONNECTOR, INSTALLATION | | | | | | — | — | — | |
| | | Spares for:— | | | | | | | | | |
| 41042 | E.A3.10.6177 | BRACKET , butt-connector (Mod. 3706 - S.O.O.) ... | | | | | | 1 | L.72 | C | |
| | E.A3.10.6131 | STRIP , sealing (Make from 30B/9611220) ... | | | | | | 1 | L.72 | LM | |
| 3877 | E.A3.102581 | BRACKET , hinge | | | | | | 1 | — | C | |
| 8851 | E.A3.10.2582 | BRACKET , hinge | | | | | | 1 | — | C | |
| | | Attaching parts for E.A3.10.2581 and E.A3.10.2582:— | | | | | | | | | |
| 28D/1007976 | AS.1242/4C | Bolt; 2 BA | | | | | | 4 | — | C | |
| 28D/1013172 | AS.1242/5C | Bolt; 2 BA (Alternative to AS.1242/4C) | | | | | | 2 | — | C | |
| 28D/1204937 | AS.1242/6C | Bolt; 2 BA | | | | | | 2 | — | C | |
| 28D/1007978 | AS.1242/7C | Bolt; 2 BA (Alternative to AS.1242/6C) | | | | | | 2 | — | C | |
| 28M/1278190 | AGS.2001/C/1 | Nut; 2 BA | | | | | | 2 | — | C | |
| 28W/9419402 | SP.13/C | Washer | | | | | | 4 | — | C | |
| 2140 | E.A1.20.1033 | Washer | | | | | | 4 | — | C | |
| | E.B6.80.5947 | BRACKET, TRIP ROD, NAVIGATOR'S SEAT, INSTALLATION (MOD. 4065) | | | | | | — | — | — | |
| | E.B6.80.5949 | BRACKET, TRIP ROD, BOMB AIMER'S SEAT, INSTALLATION (MOD. 4065) | | | | | | — | — | — | |
| | | Spares for:— | | | | | | | | | |
| 41333 | E.B6.80.5951 | BRACKET | | | | | | 1 | — | C | |
| 41334 | E.B6.80.5955 | BRACKET | | | | | | 3 | — | C | |
| 131 | E.A1.10.1163 | BUSH , navigator's escape hatch explosive bolts ... | | | | | | 21 | L.40 | C | |
| 132 | E.A1.10.1165 | BUSH , navigator's escape hatch explosive bolts forward corners only | | | | | | 13 | L.40 | C | |
| 5121 | E.A3.10.3021 | CAP , sealing, for escape hatch pivot | | | | | | 2 | L.40 | C | |
| 5122 | E.A3.10.3019 | COLLAR , sealing, for escape hatch pivot | | | | | | 2 | DTD.683 | C | |

**FUSELAGE
FRONT PORTION**

| Ref. No. | Part No. | 1 | 2 | 3 | 4 | 5 | 6 | Description | No. off | Matl. Spec. | Cl. of Equip. | Plate No. |
|-------------|---|---|---|---|---|---|---|---|------------------|--------------------|-------------------|-----------|
| | | | | | | | | | | | M.R. | |
| 2812 | E.A1.10.501 | | | | | | | DOOR, ACCESS, EQUIPMENT, HATCH, ASSEMBLY (Supplied to part No. E.A3.00.113 for spares purposes with trim allowance) Spares for:— | 1 | — | B | F.8 |
| 13104 | E.A1.10.511 | | | | | | | LINK , connecting | 2 | — | C | |
| 28P/9130722 | SP.4Y/B2 | | | | | | | Attaching parts for E.A1.10.511:— Pin, shackle | 1 | — | C | |
| 28P/9496478 | SP.90/C5 | | | | | | | Pin, split | 1 | — | C | |
| 3227 | AS.2866/P | | | | | | | LOCK, L.H., FLUSH TYPE, ASSEMBLY Spares for:— | 1 | — | B | |
| 32501 | AS.5382 | | | | | | | BOLT , pivot | 1 | — | C | |
| 25791 | AS.2558 | | | | | | | BUTTON , pressure seal | 1 | — | C | |
| 2731 | AS.2552 | | | | | | | HANDLE , single handle lock | 1 | — | C | |
| 32500 | AS.2532 | | | | | | | PLATE , catch | 1 | — | C | |
| 20874 | AS.2559 | | | | | | | SEAL , handle | 1 | — | C | |
| 25792 | AS.5381 | | | | | | | SEAL , push button | 1 | — | C | |
| 32499 | AS.2534 | | | | | | | SPRING , catch | 1 | — | C | |
| 32498 | AS.2556 | | | | | | | STUD , spring Attaching parts for AS.2866/P:— | 1 | — | C | |
| 28S/9435716 | E.A1.10.2421 A33/B12 | | | | | | | Ring, packing Screw, 4 BA | 1 11 | — — | — C | |
| 2813 | E.A1.10.2423 | | | | | | | PANEL , removable Attaching parts for E.A1.10.2423:— | 1 | — | C | |
| 28D/9128739 | AS.1248/1B | | | | | | | Bolt, 4 BA | 26 | — | C | |
| 21630 | E.A1.10.549 E.A1.10.507 E.A1.10.508 E.A1.10.2425 | | | | | | | ROD , end SPIGOT SPIGOT STRIP , sealing, 0"5 wide (Make from EEAS.141/1E Ref. 12713) | 2 1 1 1 | L.1 — — — | C — — LM | |
| 2807 | E.A1.10.1189 | | | | | | | DOOR , access, hydraulic reservoir | 1 | L.72 | C | F.8 |
| 3046 | E.A3.10.1401 | | | | | | | DOOR, MAIN ENTRANCE, ASSEMBLY (File door, skin line until door fits freely) in frame, clearance around door skin line 0"100 + or -0"020) Spares for:— | 1 | — | A | F.8 |
| 17416 | E.A1.10.1145 | | | | | | | BOLT , assembly, door, aft | 1 | — | C | |
| 17415 | E.A1.10.1143 | | | | | | | BOLT , assembly, door, forward Attaching parts for E.A1.10.1145 and E.A1.10.1143:— | 1 | — | C | |
| 28P/832 | SP.4Y/B6 | | | | | | | Pin | 1 | — | C | |
| 9728 | E.A3.10.2313 | | | | | | | FAIRING , handle, internal Attaching parts for E.A3.10.2313:— | 1 | — | C | |
| 28D/1013284 | AS.1248/2C | | | | | | | Bolt, 2 BA | 13 | — | C | |
| 2732 | E.A1.10.1785 | | | | | | | HANDLE , door, internal Attaching parts for E.A1.10.1785:— | 1 | — | C | F.8 |
| 28D/1013284 | AS.1248/2C | | | | | | | Bolt, 2 BA | 1 | — | C | |
| 28W/6316 | AGS.585/C | | | | | | | Washer | 1 | — | C | |
| 28W/9419402 | SP.13/C | | | | | | | Washer | 1 | — | C | |
| 21931 | E.A3.10.1407 | | | | | | | HINGE, ENTRANCE DOOR, ASSEMBLY Spares for:— | 2 | — | B | |
| 2A/9500412 | SKEFKO-CBS.3 E.A3.10.1403 E.A3.10.1405 | | | | | | | BEARING HINGE PIN | 2 1 1 | — — — | C — — | |

**FUSELAGE
FRONT PORTION**

| Ref. No. | Part No. | Description | | | | | | No. off | Matl. Spec. | Cl. of Equip. | Plate No. |
|-------------|--------------|---|---|---|---|---|---|---------|-------------|---------------|-----------|
| | | 1 | 2 | 3 | 4 | 5 | 6 | | | M.R. L.M. | |
| 21285 | E.A1.10.1733 | HOUSING , door bolt, aft | | | | | | 1 | — | C/MR | |
| | | Attaching parts for E.A1.10.1733:— | | | | | | | | | |
| 28D/1008149 | A25/2B | Bolt, 4 BA | | | | | | 16 | — | C | |
| 28M/9403519 | A27/BP | Nut, 4 BA | | | | | | 16 | — | C | |
| 28W/1010155 | AGS.162/B | Washer | | | | | | 16 | — | C | |
| 21286 | E.A1.10.1735 | HOUSING , door, bolt, forward | | | | | | 1 | — | C/MR | |
| | | Attaching parts for E.A1.10.1735:— | | | | | | | | | |
| 28D/1010658 | A25/1B | Bolt, 4 BA | | | | | | 10 | — | C | |
| 28D/1008149 | A25/2B | Bolt, 4 BA | | | | | | 14 | — | C | |
| 28M/9403519 | A27/BP | Nut, 4 BA | | | | | | 14 | — | C | |
| 28W/1010155 | AGS.162/B | Washer | | | | | | 24 | — | C | |
| 18204 | E.A1.10.1337 | LEVER , cranked, aft | | | | | | 1 | — | C | |
| 18206 | E.A1.10.813 | LEVER , cranked, forward | | | | | | 1 | — | C | |
| | | Attaching parts for E.A1.10.1337 and E.A1.10.813:— | | | | | | | | | |
| 28D/7002428 | A25/6C | Bolt, 2 BA | | | | | | 1 | — | C | |
| 17558 | E.A1.10.1149 | Tube, distance... .. | | | | | | 1 | — | C | |
| 18207 | E.A1.10.821 | LINK , coupling, crank lever to door handle | | | | | | 1 | — | C | |
| | | Attaching parts for E.A1.10.821:— | | | | | | | | | |
| 28P/830 | SP.4Y/B4 | Pin | | | | | | 2 | — | C | |
| 28W/9419402 | SP.13/C | Washer | | | | | | 2 | — | C | |
| 2921 | AS.2864/P | LOCK, FLUSH FITTING DOOR, ASSEMBLY | | | | | | 1 | — | B | |
| | | Spares for:— | | | | | | | | | |
| 32501 | AS.5382 | BOLT , pivot | | | | | | 1 | — | C | |
| 25791 | AS.2558 | BUTTON , pressure seal | | | | | | 1 | — | C | |
| 2730 | AS.2549 | HANDLE , outer, double handle lock | | | | | | 1 | — | C | |
| 32500 | AS.2532 | PLATE , catch | | | | | | 1 | — | C | |
| 20874 | AS.2559 | SEAL , handle | | | | | | 1 | — | C | |
| 25792 | AS.5381 | SEAL , push buton | | | | | | 1 | — | C | |
| 32499 | AS.2534 | SPRING , for catch | | | | | | 1 | — | C | |
| 32498 | AS.2556 | STUD , spring | | | | | | 1 | — | C | |
| | | Attaching parts for AS.2864/P:— | | | | | | | | | |
| 28D/9128739 | AS.1248/1B | Bolt, 4 BA | | | | | | 4 | — | C | |
| 28S/1200066 | A33/B20 | Screw, 4 BA | | | | | | 11 | — | C | |
| | E.A1.10.1995 | PANEL , access | | | | | | 1 | L.72 | — | |
| | | Attaching parts for E.A1.10.1995:— | | | | | | | | | |
| 28D/1214091 | AS.1242/2C | Bolt, 2 BA | | | | | | 14 | — | C | |
| 28D/1013284 | AS.1248/2C | Bolt, 2 BA | | | | | | 30 | — | C | |
| 20934 | E.A3.10.1447 | PANEL , dished back | | | | | | 1 | — | C | |
| | | Attaching parts for E.A3.10.1447:— | | | | | | | | | |
| 28D/1013284 | AS.1248/2C | Bolt, 2 BA | | | | | | 28 | — | C | |
| 7771 | E.A1.10.2657 | Gasket | | | | | | 1 | — | C | |
| 18209 | E.A1.10.1319 | PLATE , (Bracket), swivel door prop | | | | | | 1 | L.72 | C | |
| | | Attaching parts for E.A1.10.1319:— | | | | | | | | | |
| 28M/1011475 | A27/EP | Nut, 1/2" BSF | | | | | | 1 | — | C | |
| 28W/9418921 | SP.13/E | Washer | | | | | | 1 | — | C | |

**FUSELAGE
FRONT PORTION**

| Ref. No. | Part No. | Description | | | | | | No. off | Matl. Spec. | Cl. of Equip. M.R. L.M. | Plate No. |
|-------------|--------------|---|---|---|---|---|---|---------|------------------|-------------------------------|-----------|
| | | 1 | 2 | 3 | 4 | 5 | 6 | | | | |
| | E.A1.10.1651 | SEAL , door, outer (Make from 32C/652) ... | | | | | | 1 | — | LM | |
| 5195 | E.A3.10.2813 | STRAP , support, strut stowage ... | | | | | | 1 | — | C | F.8 |
| 4911 | E.A3.10.1459 | TUBE , stay, door prop ... | | | | | | 1 | — | C | |
| 2986 | E.A1.10.939 | DOOR, NOSE, UNDERCARRIAGE, PORT, ASSEMBLY (Supplied to part No. E.A3.00.149 for spares purposes, with trim allowances and undrilled hinge attached) Spares for:— | | | | | | 1 | — | B | F.7 |
| 18873 | E.A1.10.957 | BLOCK , catch ... Attaching parts for E.A1.10.957:— | | | | | | 2 | — | C | |
| 18202 | E.A1.10.961 | Bolt, special ... | | | | | | 4 | — | C | |
| 6129 | E.A1.10.963 | Shim ... | | | | | | 1 | — | C | |
| 28W/9416643 | SP.47/C | Washer ... | | | | | | 4 | — | C | |
| 18889 | E.A1.10.1367 | BRACKET , door pick-up ... Attaching parts for E.A1.10.1367:— | | | | | | 1 | — | C | |
| | E.A1.10.2707 | Bolt, special ... | | | | | | 8 | — | — | |
| 6131 | E.A1.10.1369 | Shim ... | | | | | | 1 | — | C | |
| | E.A1.10.1271 | HINGE (Make from Ref. 28N/9486785) ... | | | | | | 1 | — | LM | |
| | E.A1.10.1413 | HINGE ... | | | | | | 1 | — | — | |
| 3629 | E.A1.10.955 | PAD ... Attaching parts for E.A1.10.955:— | | | | | | 1 | Rubber | C | F.7 |
| | E.A1.10.2467 | Angle ... | | | | | | 1 | — | — | |
| | E.A3.10.3485 | Packing ... | | | | | | 1 | — | — | |
| 28S/1011504 | A33/C32 | Screw, 2BA ... | | | | | | 2 | — | C | |
| 3628 | E.A1.10.949 | Shim ... | | | | | | 1 | Light Alloy | C | F.7 |
| 5072 | EEAS.6/C | Washer, cup ... | | | | | | 2 | — | C | |
| 4261 | E.A1.10.2655 | PAD , stop ... | | | | | | 1 | — | C | |
| 4060 | E.A1.10.2065 | SPUR ... | | | | | | 1 | — | C | |
| | E.A3.10.2811 | STRIP , sealing, (Make from Ref. 4756) ... Attaching parts for E.A3.10.2811:— | | | | | | 1 | Synthetic Rubber | — | |
| 28M/10286 | AGS.2001/A/1 | Nut, 6BA ... | | | | | | 16 | — | C | |
| 28S/1200058 | A32/A12 | Screw, 6BA ... | | | | | | 16 | — | C | |
| 2987 | E.A1.10.940 | DOOR, NOSE, UNDERCARRIAGE, STARBOARD, ASSEMBLY (Supplied to Part No. E.A3.00.150, for spares purposes, with trim allowances and undrilled hinge attached) Spares for:— | | | | | | 1 | — | B | F.7 |
| 4699 | E.A3.10.3129 | BLOCK , door catch ... Attaching parts for E.A3.10.3129:— | | | | | | 2 | Al. Alloy | C | |
| 18876 | E.A1.10.983 | Bolt, special ... | | | | | | 4 | — | C | |
| 28W/9416643 | SP.47/C | Washer, spring ... | | | | | | 4 | — | C | |
| 18889 | E.A1.10.1367 | BRACKET , door, pick-up ... Attaching parts for E.A1.10.1367:— | | | | | | 1 | — | C | |
| | E.A1.10.2707 | Bolt, special ... | | | | | | 8 | — | — | |
| 6131 | E.A1.10.1369 | Shim ... | | | | | | 1 | — | C | |

**FUSELAGE
FRONT PORTION**

| Ref. No. | Part No. | Description | | | | | | No. off | Matl. Spec. | Cl. of Equip. | | Plate No. |
|-------------|--------------|--|---|---|---|---|---|---------|-------------|---------------|------|-----------|
| | | 1 | 2 | 3 | 4 | 5 | 6 | | | M.R. | L.M. | |
| 18899 | E.A1.10.2071 | BRACKET , roller | | | | | | 1 | — | MR | | |
| | | Attaching parts for E.A1.10.2071:— | | | | | | | | | | |
| 28D/9133012 | A25/3C | Bolt, 2 BA | | | | | | 2 | — | C | | |
| 28M/9403520 | A27/CP | Nut, 2 BA | | | | | | 2 | — | C | | |
| 18902 | E.A1.10.2077 | Washer, special | | | | | | 2 | — | MR | | |
| 4700 | E.A3.10.3085 | BRACKET , spring seating | | | | | | 1 | DTD.683 | C | | |
| | | Attaching parts for E.A3.10.3085:— | | | | | | | | | | |
| 28D/9133017 | A25/3C | Bolt, 2 BA | | | | | | 2 | — | C | | |
| 28M/9433473 | AGS.2002/C/1 | Nut, 2 BA | | | | | | 2 | — | C | | |
| 28W/9419404 | SP.16/C | Washer | | | | | | 2 | — | C | | |
| | E.A1.10.1272 | HINGE (Make from Ref. 28N/9486785) | | | | | | 1 | — | LM | | |
| 18203 | E.A1.10.1414 | HINGE | | | | | | 1 | — | C | | |
| 4696 | E.A3.10.3193 | HOOK , door latch, forward | | | | | | 1 | — | C/MR | F.7 | |
| | | Attaching parts for E.A3.10.3193:— | | | | | | | | | | |
| 4234 | E.A1.10.971 | Pin, pivot | | | | | | 1 | — | C | | |
| | E.A1.45.389 | Shim | | | | | | 1 | — | — | | |
| 20674 | EEAS.28/23CU | Washer | | | | | | 2 | — | C | | |
| 12285 | E.A3.10.3239 | Hook, door latch, aft (Mod. 1465) | | | | | | 1 | S.11 | C | F.7 | |
| | | Attaching parts for E.A3.10.3239:— | | | | | | | | | | |
| 12286 | E.A3.10.3375 | Packing | | | | | | 5 | L.72 | C | | |
| 4234 | E.A1.10.971 | Pin, pivot | | | | | | 1 | — | C | | |
| 28W/9419476 | SP.15/G | Washer | | | | | | 1 | — | C | | |
| 3629 | E.A1.10.955 | PAD | | | | | | 1 | Rubber | C | F.7 | |
| | | Attaching parts for E.A1.10.955:— | | | | | | | | | | |
| | E.A1.10.2467 | Angle | | | | | | 1 | — | — | | |
| | E.A3.10.3485 | Packing | | | | | | 2 | — | — | | |
| 28S/1011504 | A33/C32 | Screw, 2 BA | | | | | | 2 | — | C | | |
| 3628 | E.A1.10.949 | Shim | | | | | | 1 | Light Alloy | C | F.7 | |
| 5072 | EEAS.6/C | Washer, cup | | | | | | 2 | — | C | | |
| 4050 | E.A1.10.1725 | PLATE , cover | | | | | | 1 | — | C | | |
| | | Attaching parts for E.A1.10.1725:— | | | | | | | | | | |
| 28S/9435716 | A33/B12 | Screw, 4 BA | | | | | | 2 | — | C | | |
| 4701 | E.A3.10.3211 | ROD, CONNECTING NOSE, UNDERCARRIAGE, DOOR HOOKS, ASSEMBLY | | | | | | 1 | — | B | | |
| | | Consisting of:— | | | | | | | | | | |
| 5167 | E.A3.10.3083 | COLLAR , spring adjusting | | | | | | 1 | DTD.683 | C | F.7 | |
| 5168 | E.A3.10.3207 | FORK-END | | | | | | 1 | S.96 | C | F.7 | |
| 5169 | E.A3.10.3213 | FORK-END | | | | | | 1 | S.96 | C | F.7 | |
| 28M/9403520 | A27/CP | NUT , 2 BA | | | | | | 2 | — | C | | |
| 28M/13278 | A27/CPL | NUT , 2 BA | | | | | | 1 | — | C | | |
| 5170 | E.A3.10.3209 | ROD | | | | | | 1 | S.96 | C | F.7 | |
| 5171 | E.A3.10.2271 | SPRING | | | | | | 1 | DTD.239A | C | F.7 | |
| | | Attaching parts for E.A3.10.3211:— | | | | | | | | | | |
| 28N/1045681 | AGS.899/1 | Collar | | | | | | 2 | — | C | | |
| 28P/817 | SP.4Y/A7 | Pin, shackle | | | | | | 2 | — | C | | |

**FUSELAGE
FRONT PORTION**

| Ref. No. | Part No. | Description | No. off | Matl. Spec. | Cl. of Equip. | Plate No. |
|-------------|----------------------------|---|---------|-------------|---------------|-----------|
| | | | | | M.R. L.M. | |
| | | 1 2 3 4 5 6 | | | | |
| 18901 | E.A1.10.2075 | ROLLER | 1 | — | C | |
| | | Attaching parts for E.A1.10.2075:— | | | | |
| 18900 | E.A1.10.2073 | Pin | 1 | — | C | |
| | E.A3.10.2811 | STRIP , sealing (Make from Ref. 4756) | 1 | — | LM | |
| | | Attaching parts for E.A3.10.2811:— | | | | |
| 28M/10286 | AGS.2001/A/1 | Nut, 6 BA | 16 | — | C | |
| 28S/1006948 | A32/A12 | Screw, 6 BA | 16 | — | C | |
| 1799 | E.A3.10.157 | FRAME , bolt, navigator's escape hatch | 1 | — | B | |
| 4009 | E.A1.10.1229 | GUARD , block, pressure cabin door seal | 1 | — | C | |
| 2729 | E.A1.10.1153 | HANDLE | 1 | L.72 | C | F.8 |
| | | Attaching parts for E.A1.10.1153:— | | | | |
| 28D/9128739 | AS.1248/1B | Bolt, 4 BA | 1 | — | C | |
| 28W/9419448 | AGS.2035/B | Washer | 1 | — | C | |
| 34554 | E.A3.00.5325 | HATCH, ESCAPE, NAVIGATOR'S, ASSEMBLY (MOD. 4094) (Supplied to Part No. E.A3.10.6301 for spares purposes with trim allowance) Spares for:— | 1 | — | B | |
| 5CZ/430 | † | BLOCK , terminal, 2-way, type B | 1 | — | C | |
| | | Attaching parts for Ref. 5CZ/430:— | | | | |
| 28S/1200062 | A33/A20 | Screw, 6 BA | 2 | — | C | |
| 37005 | E.A3.81.5849 | CABLE, ASSEMBLY , N.417, terminal block to butt connectors | 1 | — | C | |
| | | Attaching parts for E.A3.81.5849:— | | | | |
| 28S/9131780 | A33/B6 | Screw, 4 BA | 2 | — | C | |
| 41062 | E.A3.10.6109 | CHANNEL , butt connectors (Make from EEDX126) | 1 | — | C | |
| | | Attaching parts for E.A3.10.6109:— | | | | |
| 28D/9133011 | A25/2C | Bolt, 2 BA | 4 | — | C | |
| 28M/1278190 | AGS.2001/C/1 | Nut, 2 BA | 4 | — | C | |
| 28W/9419404 | SP.16/C | Washer | 4 | — | C | |
| 5076 | MARTIN BAKER MBEU/320EE | CLIP , safety harness stowage | 4 | — | C | |
| | | Attaching parts for MBEU/320EE:— | | | | |
| 28D/1011006 | A25/5B | Bolt, 4 BA | 4 | — | C | |
| 28M/1278189 | AGS.2001/B/1 | Nut, 4 BA | 4 | — | C | |
| | E.A3.10.2277 | Packing, taper | 1 | — | — | |
| | E.A3.10.2281 | Packing, taper | 2 | — | — | |
| 28W/9419474 | SP.15/B | Washer | 4 | — | C | |
| 5075 | MARTIN BAKER MBEU/321EE | CLIP , parachute harness stowage | 4 | — | C | |
| | | Attaching parts for MBEU/321EE:— | | | | |
| 28D/1011006 | A25/5B | Bolt, 4 BA | 4 | — | C | |
| 28M/1278189 | AGS.2001/B/1 | Nut, 4 BA | 4 | — | C | |
| | E.A3.10.2279 | Packing, taper | 2 | — | — | |
| | E.A3.10.6135 | Packing, taper | 2 | — | — | |
| | E.A3.10.2275 | Packing, taper | 1 | — | — | |
| 28W/9419474 | SP.15/B | Washer | 4 | — | C | |

**FUSELAGE
FRONT PORTION**

| Ref. No. | Part No. | Description | | | | | | No. off | Matl. Spec. | Cl. of Equip. | | Plate No. |
|-------------|--------------|-------------|---|---|---|---|---|---------|-------------|---------------|------|-----------|
| | | 1 | 2 | 3 | 4 | 5 | 6 | | | M.R. | L.M. | |
| 20515 | E.A6.10.2683 | | | | | | | 2 | — | | C | |
| 3077 | E.A6.10.2589 | | | | | | | 1 | — | | C | |
| | | | | | | | | | | | | |
| 1032 | EEAS.1/2E | | | | | | | 2 | — | | C | |
| 1025 | EEAS.1/1C | | | | | | | 10 | — | | C | |
| | | | | | | | | | | | | |
| 41175 | E.B7.10.5093 | | | | | | | 2 | — | | C | |
| | | | | | | | | | | | | |
| 28M/1278190 | AGS.2001/C/1 | | | | | | | 1 | — | | C | |
| 28W/9419475 | SP15/C | | | | | | | 1 | — | | C | |
| | | | | | | | | | | | | |
| 41063 | E.A3.10.6111 | | | | | | | 1 | — | | C | |
| | | | | | | | | | | | | |
| 28D/1008151 | A25/4E | | | | | | | 2 | — | | C | |
| | E.A3.10.6139 | | | | | | | 1 | — | | — | |
| 28W/9419487 | SP.16/E | | | | | | | 2 | — | | C | |
| | | | | | | | | | | | | |
| 14721 | E.A3.10.3765 | | | | | | | 1 | — | | C | |
| | | | | | | | | | | | | |
| 28D/1013179 | AS.1242/5E | | | | | | | 4 | — | | C | |
| 28D/1212825 | AS.1242/4E | | | | | | | 4 | — | | C | |
| | 34495 | | | | | | | 1 | — | | C | |
| | 34134 | | | | | | | 1 | — | | C | |
| | 34133 | | | | | | | 1 | — | | C | |
| | | | | | | | | | | | | |
| | E.A3.10.311 | | | | | | | 1 | Shore 35 | | LM | |
| | E.A3.10.313 | | | | | | | 1 | Shore 35 | | LM | |
| | E.A3.10.309 | | | | | | | 2 | Shore 35 | | LM | |
| 41058 | E.A3.10.6099 | | | | | | | 2 | S.96 | | C | |
| | | | | | | | | | | | | |
| 28M/1007404 | A27/JT | | | | | | | 1 | — | | C | |
| | | | | | | | | | | | | |
| 148 | E.A3.10.305 | | | | | | | 2 | — | | B | |
| | | | | | | | | | | | | |
| 6162 | E.A3.10.985 | | | | | | | 20 | — | | C | |
| 28M/1278190 | AGS.2001/C/1 | | | | | | | 68 | — | | C | |
| | E.A3.10.111 | | | | | | | 1 | — | | — | |
| | E.A3.10.6275 | | | | | | | 1 | — | | — | |
| | 1031 | | | | | | | 20 | — | | C | |
| | 1468 | | | | | | | 4 | — | | C | |
| | 1025 | | | | | | | 44 | — | | C | |
| | 149 | | | | | | | 2 | — | | C | |
| 28W/9419475 | SP.15/C | | | | | | | 68 | — | | C | |
| | | | | | | | | | | | | |
| 34171 | E.A3.10.6081 | | | | | | | 1 | — | | B | |
| | | | | | | | | | | | | |
| | E.A3.10.6107 | | | | | | | 1 | L.72 | | — | |
| 5CZ/430 | † | | | | | | | 1 | — | | C | |
| | | | | | | | | | | | | |
| 28S/1200062 | A33/A20 | | | | | | | 2 | — | | C | |

**FUSELAGE
FRONT PORTION**

| Ref. No. | Part No. | Description | | | | | | No. off | Matl. Spec. | Cl. of Equip. | Plate No. |
|-------------|----------------------------|--|---|---|---|---|---|---------|-------------|---------------|-----------|
| | | 1 | 2 | 3 | 4 | 5 | 6 | | | M.R. L.M. | |
| 37005 | E.A3.81.5849 | CABLE , assembly | | | | | | 1 | — | C | |
| 285/9131780 | A33/B6 | Attaching parts for E.A3.81.5849:— Screw: 4 BA | | | | | | 4 | — | C | |
| 41062 | E.A3.10.6109 | CHANNEL , butt connector (Make from EEDX.126) Attaching parts for E.A3.10.6109:— | | | | | | 1 | — | C | |
| 28D/9133011 | A25/2C | Bolt: 2 BA | | | | | | 4 | — | C | |
| 28M/1278190 | AGS.2001/C/1 | Nut: 2 BA | | | | | | 4 | — | C | |
| 28W/9419404 | SP.16/C | Washer | | | | | | 4 | — | C | |
| 5075 | MARTIN BAKER MBEU/321EE | CLIP , parachute harness stowage, upper | | | | | | 2 | — | C | |
| 28D/1011006 | A25/5B | Attaching parts for MBEU/321EE:— Bolt: 4 BA | | | | | | 4 | — | C | |
| 28M/1278189 | AGS.2001/B/1 | Nut: 4 BA | | | | | | 4 | — | C | |
| | E.A3.10.2275 | Packing, taper | | | | | | 1 | — | — | |
| | E.A3.10.6135 | Packing, taper | | | | | | 1 | — | — | |
| 28W/9419474 | SP.15/B | Washer | | | | | | 4 | — | C | |
| 5075 | MARTIN BAKER MBEU/321EE | CLIP , parachute harness stowage, lower | | | | | | 2 | — | C | |
| 28D/1011006 | A25/5B | Attaching parts for MBEU/321EE:— Bolt: 4 BA | | | | | | 4 | — | C | |
| 28M/1278189 | AGS.2001/B/1 | Nut: 4 BA | | | | | | 4 | — | C | |
| | E.A3.10.2275 | Packing, taper | | | | | | 1 | — | — | |
| | E.A3.10.2279 | Packing, taper | | | | | | 6 | — | — | |
| 28W/9419474 | SP.15/B | Washer | | | | | | 4 | — | C | |
| 28E/9436947 | AS.3180/4B | CLIP , "P", rubber covered | | | | | | 3 | — | C | |
| 28D/1010658 | A25/1B | Attaching parts for AS.3180/4B:— Bolt: 4 BA | | | | | | 1 | — | C | |
| 28M/1278189 | AGS.2001/B/1 | Nut: 4 BA | | | | | | 1 | — | C | |
| 28W/9419474 | SP.15/B | Washer | | | | | | 1 | — | C | |
| 5076 | MARTIN BAKER MBEU/320EE | CLIP , safety harness stowage | | | | | | 4 | — | C | |
| 28D/1011006 | A25/5B | Attaching parts for MBEU/320EE:— Bolt: 4 BA | | | | | | 4 | — | C | |
| 28M/1278189 | AGS.2001/B/1 | Nut: 4 BA | | | | | | 4 | — | C | |
| | E.A3.10.2277 | Packing, taper | | | | | | 1 | — | — | |
| | E.A3.10.2281 | Packing, taper | | | | | | 8 | — | — | |
| 28W/9419474 | SP.15/B | Washer | | | | | | 4 | — | C | |
| 20515 | E.A6.10.2683 | CURTAIN , window | | | | | | 2 | — | B | |
| 41063 | E.A3.10.6111 | HOLDER , spigot | | | | | | 1 | L.65 | C | |
| 28D/1008151 | A25/4E | Attaching parts for E.A3.10.6111:— Bolt: 1/2" BSF | | | | | | 2 | — | C | |
| | E.A3.10.6139 | Packing, laminated | | | | | | 1 | — | — | |
| 28W/9419487 | SP.16/E | Washer | | | | | | 2 | — | C | |

**FUSELAGE
FRONT PORTION**

| Ref. No. | Part No. | Description | | | | | | No. Off | Matl. Spec. | Cl. of Equip. M.R. L.M. | Plate No. |
|----------------------|------------------------|---|-----|-----|-----|-----|----|---------|-------------|-------------------------------|-----------|
| | | 1 | 2 | 3 | 4 | 5 | 6 | | | | |
| 28M/1007404 14721 | A27/JT E.A3.10.3765 | NUT, 3/8" BSF, spigot locking | ... | ... | ... | ... | 2 | — | C | | |
| | | PLATE, blanking, periscope | ... | ... | ... | ... | 1 | — | — | | |
| | | Attaching parts for E.A3.10.3765:— | | | | | | | | | |
| 28D/1013178 | AS.1242/5E | Bolt, 1/2" BSF | ... | ... | ... | ... | 4 | — | C | | |
| 28D/1212825 | AS.1242/4E | Bolt, 1/2" BSF | ... | ... | ... | ... | 4 | — | C | | |
| 34498 | E.A3.10.6247 | Packing | ... | ... | ... | ... | 1 | Langite | C | | |
| 34134 | E.A3.10.6121 | Packing | ... | ... | ... | ... | 1 | L.72 | C | | |
| 34133 | E.A3.10.6137 | Packing | ... | ... | ... | ... | 1 | Langite | C | | |
| | E.A3.10.311 | SEAL, hatch, aft (Make from Ref. 208) | ... | ... | ... | ... | 1 | — | LM | | |
| | E.A3.10.313 | SEAL, hatch, forward (Make from Ref. 208) | ... | ... | ... | ... | 1 | — | LM | | |
| | E.A3.10.309 | SEAL, hatch, side (Make from Ref. 208) | ... | ... | ... | ... | 2 | — | LM | | |
| 41058 | E.A3.10.6099 | SPIGOT, screwed | ... | ... | ... | ... | 2 | 5.96 | C | | |
| 148 | E.A3.10.305 | WINDOW, perspex | ... | ... | ... | ... | 2 | — | B | | |
| | | Attaching parts for E.A3.10.305:— | | | | | | | | | |
| 6162 | E.A3.10.985 | Bush, rubber (Made from 32C/507) | ... | ... | ... | ... | 20 | — | C | | |
| 28M/1278190 | AGS.2001/C/1 | Nut, 2 BA | ... | ... | ... | ... | 68 | — | C | | |
| | E.A3.10.111 | Plate, securing | ... | ... | ... | ... | 1 | L.72 | — | | |
| 149 | E.A3.10.307 | Seal, rubber | ... | ... | ... | ... | 2 | — | C | | |
| 1468 | EEAS.1/2C | Screw, 2 BA | ... | ... | ... | ... | 6 | — | C | | |
| 1025 | EEAS.1/1C | Screw, 2 BA, plate securing | ... | ... | ... | ... | 42 | — | C | | |
| 1031 | EEAS.1/6C | Screw, 2 BA, window securing | ... | ... | ... | ... | 20 | — | C | | |
| 28W/9419475 | SP.15/C | Washer | ... | ... | ... | ... | 68 | — | C | | |
| | E.A3.10.3481 | HOOD, COUPE TO FUSELAGE, ASSEMBLY (MOD. 519) | | | | | | — | — | — | |
| | | Spares for:— | | | | | | | | | |
| 1594 | E.A3.10.2085 | BOLT, explosive, hood fixing | ... | ... | ... | ... | 2 | DTD.683 | C | | |
| 1782 | E.A3.10.2221 | BOLT, explosive, hood fixing | ... | ... | ... | ... | 30 | DTD.683 | C | | |
| 135 | E.A1.10.1035 | BUSH, coaming, tube explosive bolt | ... | ... | ... | ... | 31 | L.40 | C | | |
| 136 | E.A1.10.1167 | BUSH, coaming, tube explosive bolt entry | ... | ... | ... | ... | 30 | L.40 | C | | |
| 137 | E.A1.10.1169 | BUSH, coaming, tube explosive bolt entry | ... | ... | ... | ... | 30 | L.40 | C | | |
| 138 | E.A1.10.1435 | BUSH, coaming tube, explosive bolt entry | ... | ... | ... | ... | 1 | L.40 | C | | |
| | — | COAMING TUBE, REPAIR FOR EXPLOSIVE BOLTS (E.A3.03.35, ASD.319RS AND ASD.617RS) | | | | | | — | — | — | |
| | | Spares for (Per set):— | | | | | | | | | |
| 3922 | E.A3.03.47 | BUSH, (First repair) | ... | ... | ... | ... | 2 | — | C | | |
| 25557 | E.A3.03.129 | BUSH, (Second repair) | ... | ... | ... | ... | 2 | — | C | | |
| 43198 | E.A3.03.297 | BUSH, (Third repair) | ... | ... | ... | ... | 2 | — | C | | |
| 3921 | E.A3.03.45 | BUSH, locking (First repair) | ... | ... | ... | ... | 30 | — | C | | |
| 25556 | E.A3.03.127 | BUSH, locking (Second repair) | ... | ... | ... | ... | 30 | — | C | | |
| 43199 | E.A3.03.295 | BUSH, locking (Third repair) | ... | ... | ... | ... | 30 | — | C | | |
| 3919 | E.A3.03.41 | BUSH, tapped (First repair) | ... | ... | ... | ... | 31 | — | C | | |
| 25555 | E.A3.03.125 | BUSH, tapped (Second repair) | ... | ... | ... | ... | 31 | — | C | | |
| 43201 | E.A3.03.291 | BUSH, tapped (Third repair) | ... | ... | ... | ... | 31 | — | C | | |
| 3920 | E.A3.03.43 | BUSH, tapped (First repair) | ... | ... | ... | ... | 1 | — | C | | |
| 26741 | E.A3.03.201 | BUSH, tapped (Second repair) | ... | ... | ... | ... | 1 | — | C | | |
| 43200 | E.A3.03.293 | BUSH, tapped (Third repair) | ... | ... | ... | ... | 1 | — | C | | |
| 3917 | E.A3.03.37 | TUBE, distance | ... | ... | ... | ... | 31 | — | C | | |
| 3918 | E.A3.03.39 | TUBE, distance | ... | ... | ... | ... | 1 | — | C | | |

**FUSELAGE
FRONT PORTION**

| Ref. No. | Part No. | 1 | 2 | 3 | 4 | 5 | 6 | Description | No. Off | Matl. Spec. | Cl. of Equip. | | Plate No. |
|-------------|---------------|---|---|---|---|---|---|--|---------|----------------|---------------|------|-----------|
| | | | | | | | | | | | M.R. | L.M. | |
| 12873 | E.A3.15.125 | | | | | | | HOOD COUPE, C/W EDGE MEMBER, ASSEMBLY (Supplied to Part No. E.A3.00.509 for spares purposes) Spares for:— | 1 | — | | A | |
| 12947 | E.A3.10.3479 | | | | | | | BRACKET, hinge | 1 | — | | C | |
| 12948 | E.A3.10.3480 | | | | | | | BRACKET, hinge Attaching parts for E.A3.10.3479 and E.A3.10.3480:— | 1 | — | | C | |
| 28D/1214039 | AS.1242/18C | | | | | | | Bolt, 2 BA | 2 | — | | C | |
| 28D/1202334 | AS.1242/3E | | | | | | | Bolt, 2 BSF | 2 | — | | C | |
| 28M/1006473 | A27/CT | | | | | | | Nut, 2 BA | 2 | — | | C | |
| 18964 | E.A3.10.3061 | | | | | | | Shim (if required, max. thick 0"14) | QR | — | | C | |
| 18965 | E.A3.10.3063 | | | | | | | Shim (if required, max. thick 0"14) | QR | — | | C | |
| 28W/9419402 | SP.13/C | | | | | | | Washer | 2 | — | | C | |
| 3078 | E.A6.10.2587 | | | | | | | FAIRING, canopy Attaching parts for E.A6.10.2587:— | 1 | — | | C | |
| 28D/1214035 | AS.1242/13C | | | | | | | Bolt, 2 BA | 6 | — | | C | |
| | E.A6.10.2679 | | | | | | | Strip, rubber (Make from Ref. 32C/537) | QR | Linatex | | LM | |
| | E.A3.15.115 | | | | | | | HOOD, ASSEMBLY Spares for:— | 1 | — | | — | |
| 13179 | E.A1.15.9 | | | | | | | BRACKET, fastener | 1 | L.40 | | C | |
| 13180 | E.A1.15.13 | | | | | | | BRACKET, hinge Attaching parts for E.A1.15.9 and E.A1.15.13:— | 1 | L.40 | | C | |
| 28D/1013171 | AS.1242/14B | | | | | | | Bolt, 4 BA | 2 | — | | C | |
| 28M/1006504 | A27/BT | | | | | | | Nut, 4 BA | 2 | — | | C | |
| 12949 | E.A3.15.95 | | | | | | | BUSH, rubber for attachment screws | 148 | Natural Rubber | | C | |
| 1439272 | E.A3.15.109 | | | | | | | BUSH, rubber, door landing bolts, 1/8" o/d. x 0"15 i/d. x 1"2 long | 24 | Natural Rubber | | C | |
| 7116 | E.A1.81.689/1 | | | | | | | CABLE, ASSEMBLY, N.74A, HEATED WIND—SCREEN TO COUPE BREAK Consisting of:— | 1 | — | | B | |
| 5E/4183 | † | | | | | | | CABLE, Uninyvin 20 | QR | — | | C | |
| 5CY/9330749 | S.I.B.1657 | | | | | | | PLUG, 2-way, flat, type R | 1 | — | | C | |
| 5K/9107066 | † | | | | | | | SLEEVE | 6 | — | | C | |
| 5K/9107067 | † | | | | | | | SLEEVE | 1 | — | | C | |
| 5CY/457 | S.I.S.1658 | | | | | | | SOCKET, 2-way, flat, type R | 1 | — | | C | |
| 1786 | E.A1.15.19 | | | | | | | EYE-BOLT, 2 BA Attaching parts for E.A1.15.19:— | 1 | DTD.126A | | C | |
| 28D/7002428 | A25/6C | | | | | | | Bolt, 2 BA | 1 | — | | C | |
| 28M/9403520 | A27/CP | | | | | | | Nut, 2 BA | 1 | — | | C | |
| 12951 | E.A3.15.129 | | | | | | | LANDING, door, 12 SWG (D.V. window) Attaching parts for E.A3.15.129:— | 1 | L.72 | | C | |
| 28D/1022405 | AS.1242/13B | | | | | | | Bolt, 4 BA | 20 | — | | C | |
| 28D/1013171 | AS.1242/14B | | | | | | | Bolt, 4 BA | 4 | — | | C | |
| 28M/1006504 | A27/BT | | | | | | | Nut, 4 BA | 4 | — | | C | |
| 28M/1086618 | AGS.2002/B/1 | | | | | | | Nut, 4 BA | 20 | — | | C | |

FUSELAGE
FRONT PORTION

| Ref. No. | Part No. | Description | No. off | Matl. Spec. | Cl. of Equip. | Plate No. |
|-------------|--------------|---|---------|-----------------|---------------|-----------|
| | | | | | M.R. L.M. | |
| | | | | | | |
| | | 1 2 3 4 5 6 | | | | |
| 1788 | E.A1.15.17 | NUT, knurled finger, 2 BA | 1 | L.40 | C | |
| | E.A3.15.107 | RING, packing, (Perspex) door landing inboard | 1 | DTD.838 | C | |
| 12952 | E.A3.15.133 | RING, sealing, door landing inboard ... | 1 | L.72 | C | |
| | E.A3.15.87 | SEALING, rubber, between edge member and hood, 1/8" x 1 1/4" x 216" long (Make from Ref. 32C/271) | 1 | Natural Rubber | LM | |
| 12953 | E.A3.15.135 | SEALING, rubber, 3/8" thick door landing, inboard | 1 | Shore 30 | C | |
| 141 | E.A1.15.23 | SPRING, 20 SWG | 1 | Spring Steel | C | |
| 12954 | E.A3.15.131 | WASHER, sealing, door landing, outboard ... | 1 | Shore 30-40 | C | |
| 12924 | E.A3.15.105 | WINDOW, DIRECT VISION, ASSEMBLY (PRE-MOD. 4333) | 1 | — | B | |
| 34781 | E.A3.15.139 | WINDOW, DIRECT VISION, ASSEMBLY (MOD. 4333) | 1 | — | B | |
| | | Spares for:— | | | | |
| 4167 | E.A1.15.161 | BRACKET, fastener | 1 | L.40 | C/MR | |
| 4168 | E.A1.15.163 | BRACKET, sealing, c/w bushes | 1 | L.40 | C/MR | |
| | | Attaching parts for E.A1.15.161 and E.A1.15.163:— | | | | |
| 28D/1013171 | AS.1242/14B | Bolt, 4 BA (As required) | 6 | — | C | |
| 28M/1006504 | A27/BT | Nut, 4 BA (As required) | 6 | — | C | |
| 3562 | E.A1.15.173 | PACKING, fastener (If required) | 1 | — | C | |
| 3563 | E.A1.15.175 | PACKING, hinge (If required) | 1 | — | C | |
| | E.A3.15.69 | PANEL, c/w elements (Pre-Mod. 4333) ... | 1 | Toughened Glass | — | |
| | E.A3.15.137 | PANEL, c/w elements (Mod. 4333) | 1 | — | — | |
| | | Attaching parts for E.A3.15.69 and E.A3.15.137:— | | | | |
| 28D/1022405 | AS.1242/13B | Bolt, 4 BA | 10 | — | C | |
| 28M/1006504 | A27/BT | Nut, 4 BA | 10 | — | C | |
| 1792 | E.A1.15.151 | PLATE, retaining, 16 SWG | 1 | L.73 | C | |
| 1793 | E.A3.15.145 | RING, rubber, insulator, outboard D.V. panel | 1 | Shore 40 | C | |
| 1794 | E.A1.15.47 | RING, rubber, sealing, inboard D.V. panel | 1 | Shore 40 | C | |
| 12950 | E.A3.15.127 | RING, D.C. panel frame | 1 | LFS.26 | C | |
| 1796 | E.A1.15.155 | RING, sealing, inboard (with canvas interlay) | 1 | — | C | |
| 1797 | E.A1.15.157 | RING, clamping, inboard, 20 SWG | 1 | L.72 | C | |
| | E.A3.15.111 | TERMINAL | 4 | BSS.369 | — | |
| | E.A3.10.2223 | MEMBER, edge, coupe hood | 1 | — | — | |
| | | Attaching parts for E.A3.10.2223:— | | | | |
| 28D/1214035 | AS.1242/13C | Bolt, 2 BA | 128 | — | C | |
| 28M/1006473 | A27/CT | Nut, 2 BA | 128 | — | C | |
| 28W/9419402 | SP.13/C | Washer | 128 | — | C | |
| | E.A3.10.3457 | PLATE, attachment, front | 1 | — | — | |
| | E.A3.10.3455 | PLATE, attachment, rear, 14 SWG | 1 | L.72 | — | |

**FUSELAGE
FRONT PORTION**

| Ref. No. | Part No. | Description | | | | | | No. off | Matl. Spec. | Cl. of Equip. | | Plate No. |
|-------------|-------------------------------|-------------|---|---|---|---|---|---------|-------------|---------------|------|-----------|
| | | 1 | 2 | 3 | 4 | 5 | 6 | | | M.R. | L.M. | |
| | E.A3.10.3451 | | | | | | | 1 | L.72 | — | | |
| | E.A3.10.3453 | | | | | | | 1 | L.72 | — | | |
| | | | | | | | | | | | | |
| | | | | | | | | | | | | |
| 28D/1214036 | AS.1242/14C | | | | | | | 4 | — | C | | |
| 28M/1006473 | A27/CT | | | | | | | 4 | — | C | | |
| 28S/9464899 | A37/C8 | | | | | | | 148 | — | C | | |
| | E.A3.10.2249 | | | | | | | QR | Linatex | LM | | |
| | E.A3.10.2251 | | | | | | | QR | Linatex | LM | | |
| | E.A3.10.2245 | | | | | | | 1 | — | MR | | |
| 34675 | E.A3.16.5025 | | | | | | | 2 | — | C | | |
| | E.A3.16.5027 | | | | | | | 1 | S.96 | — | | |
| 1000 | E.A1.10.1657 | | | | | | | 4 | DTD.124 | C | | |
| 1001 | E.A1.10.1659 | | | | | | | 4 | DTD.124 | C | | |
| 43132 | E.A1.10.1501 | | | | | | | 1 | — | B | | |
| 1004 | E.A1.10.1663 | | | | | | | 8 | L.40 | C | | |
| 21249 | E.A3.10.2773 | | | | | | | 1 | L.72 | C | | |
| 1010 | E.A1.10.847 | | | | | | | 2 | L.40 | C | | |
| | E.B6.10.9 | | | | | | | 1 | — | — | | |
| | | | | | | | | | | | | |
| | | | | | | | | | | | | |
| | | | | | | | | | | | | |
| 13091 | E.A3.11.655 | | | | | | | 4 | — | C | | |
| 3953 | E.A3.10.885 | | | | | | | 1 | — | C | | |
| | | | | | | | | | | | | |
| 28D/1007982 | AS.1248/1C | | | | | | | 12 | — | C | | |
| | E.B6.10.11 | | | | | | | — | — | — | | |
| | | | | | | | | | | | | |
| | | | | | | | | | | | | |
| 3999 | E.A1.10.231 | | | | | | | 1 | — | C | | |
| 4690 | E.A1.10.829 | | | | | | | 1 | — | B/MR | | |
| | | | | | | | | | | | | |
| 4232 | E.A1.10.827 | | | | | | | 1 | L.40 | C | | |
| 28P/19232 | SP.90/E6 | | | | | | | 1 | — | C | | |
| 5084 | ANGUS.OR.12 | | | | | | | 1 | — | C | | |
| 4231 | E.A1.10.825 | | | | | | | 1 | L.40 | C | | |
| | E.B6.10.17 | | | | | | | — | — | — | | |
| | | | | | | | | | | | | |
| | | | | | | | | | | | | |
| | | | | | | | | | | | | |
| 3997 | E.A1.10.217 or E.A1.10.219 | | | | | | | 1 | — | B/MR | | |
| | E.A1.10.2685 | | | | | | | 1 | — | — | | |
| | | | | | | | | | | | | |
| 28D/1011304 | A25/15J | | | | | | | 2 | — | C | | |
| 28M/1011476 | A27/JS | | | | | | | 2 | — | C | | |
| 6055 | E.A3.10.2793 | | | | | | | 2 | DTD.683 | C | | |

**FUSELAGE
FRONT PORTION**

| Ref. No. | Part No. | 1 2 3 4 5 6 | | | | | | No. Off | Mtrl. Spec. | Cl. of Equip. M.R L.M. | Plate No. |
|----------------------------|-------------------------------|-------------|--|--|--|--|--|---|-------------|------------------------------|-----------|
| | | | | | | | | | | | |
| 28N/9156370 12943 | SP.21 | | | | | | | 1 | — | C | |
| | E.A1.10.217A | | | | | | | 1 | S.96 | C | |
| | | | | | | | | Attaching parts for E.A1.10.217 or E.A1.10.219:— | | | |
| 28D/1008151 | A25/4E | | | | | | | 10 | — | C | |
| 28D/1008145 4856 | A25/6E | | | | | | | 2 | — | C | |
| | E.A3.10.2383 | | | | | | | 2 | S.11 | C/MR | |
| 3998 | E.A1.10.218 or E.A1.10.220 | | | | | | | 1 | — | B/MR | |
| | | | | | | | | BRACKET, MOUNTING, R.H. NOSE WHEEL PIVOT SHAFT, ASSEMBLY Spares for this assembly are identical with those for assembly Part No. E.A1.10.217 on page 514 | | | |
| | E.B6.10.37 | | | | | | | — | — | — | |
| | | | | | | | | BULKHEAD, PRESSURE, ASSEMBLY (MOD. 2183) Spares for:— | | | |
| 33814 | E.A9.10.5091 | | | | | | | 1 | — | C | |
| | E.A3.10.1739 | | | | | | | 1 | — | — | |
| | | | | | | | | BRACKET, FORWARD LATCH, ASSEMBLY Spares for:— | | | |
| | | | | | | | | 1 | — | — | |
| | | | | | | | | BLOCK Attaching parts for E.A3.10.1739:— | | | |
| 28D/1212309 28M/1002403 | A25/25E | | | | | | | 2 | — | C | |
| | A27/ET | | | | | | | 2 | — | C | |
| | AS.2811/6/135 | | | | | | | 2 | L.62 | LM | |
| | | | | | | | | Tube, distance | | | |
| 6132 | E.A1.10.1429 | | | | | | | 1 | — | — | |
| | E.A1.10.1431 | | | | | | | 1 | — | C | |
| | | | | | | | | PLATE SHIM Attaching parts for E.A1.10.1429 and E.A1.10.1431:— | | | |
| 28S/9446545 | A45/C16 | | | | | | | 2 | — | C | |
| | | | | | | | | Screw, 2 BA | | | |
| 27KD/10 | NORMALAIR 504600 | | | | | | | 1 | — | B | |
| | E.B6.80.6053 | | | | | | | — | — | — | |
| | | | | | | | | CONNECTOR, ground pressuring (Mod. 632) | | | |
| 1438542 | E.B6.80.6055 | | | | | | | 1 | — | C | |
| | E.B6.80.6059 | | | | | | | 1 | — | — | |
| | | | | | | | | STOWAGE, COCKING LEVERS, INSTALLATION (MOD.3776) Spares for:— | | | |
| | | | | | | | | 1 | — | — | |
| | | | | | | | | BOX, STOWAGE, ASSEMBLY Spares for:— | | | |
| | | | | | | | | 1 | — | — | |
| | | | | | | | | DOOR, ASSEMBLY Spares for:— | | | |
| 28FP/2027378 | DZUS AW4/35 | | | | | | | 1 | — | C | |
| 28FP/9430915 | DZUS GA4/250 | | | | | | | 1 | — | C | |
| 28N/9511950 | AS.1878 | | | | | | | 1 | — | C | |
| 28FP/9429531 | DZUS S4/225 | | | | | | | 1 | — | C | |
| | | | | | | | | SPRING Attaching parts for E.B6.80.6055:— | | | |
| 28D/9436920 | A25/1C | | | | | | | 7 | — | C | |
| 28M/1278190 | AGS.2001/C/1 | | | | | | | 4 | — | C | |
| 28W/9419402 | SP.13/C | | | | | | | 4 | — | C | |
| | | | | | | | | Bolt, 2 BA Nut, 2 BA Washer | | | |
| 3900 | E.A1.81.943 | | | | | | | 8 | — | C | |
| 4202 | E.A3.81.1165 | | | | | | | 2 | — | C | |
| | | | | | | | | STUD, mounting, assembly STUD, mounting, assembly | | | |

**FUSELAGE
FRONT PORTION**

| Ref. No. | Part No. | Description | No. Off | Matl. Spec. | Cl. of Equip. | | Plate No. |
|-------------|--------------|--|---------|----------------|---------------|------|-----------|
| | | | | | M.R. | L.M. | |
| | | 1 2 3 4 5 6 | | | | | |
| | E.A2.75.435 | UNION , body, flanged | 1 | — | — | | |
| | | Attaching parts for E.A2.75.435:— | | | | | |
| 28D/1010655 | A25/1B | Bolt, 4 BA | 6 | — | C | | |
| 28M/1086618 | AGS.2002/B/1 | Nut, 4 BA | 6 | — | C | | |
| 28F/9152415 | AGS.1115/1 | Washer, plate | 1 | — | C | | |
| 4352 | E.A3.10.861 | DIAPHRAGM , Rebecca, assembly | 1 | — | C | | |
| 4368 | E.A3.10.1203 | FRAME , No. 3, Keel, assembly | 1 | — | C | | |
| 4734 | E.A3.10.51 | FRAME , No. 6, Keel, assembly | 1 | — | C | | |
| 4411 | E.A3.10.2901 | NOSE PERSPEX ASSEMBLY (MOD. 262) | 1 | — | A | | |
| | | Consisting of:— | | | | | |
| 28D/1214032 | AS.1242/9C | BOLT , 2 BA | 128 | — | C | | |
| 28D/1013173 | AS.1242/10C | BOLT , 2 BA | 7 | — | C | | |
| 4166 | E.A2.10.1501 | BUSH , nose fixing bolts (Or make from Ref. 32C/507) | 34 | Natural Rubber | C | | |
| | E.A2.10.659 | BUSH , nose fixing bolts (Make from Ref. 4166) | 64 | Natural Rubber | LM | | |
| | E.A3.10.2899 | NOSE , perspex | 1 | — | — | | |
| 28M/1278190 | AGS.2001/C/1 | NUT , 2 BA | 135 | — | C | | |
| 2119 | E.A2.10.653 | RING , half, retaining window inner seal | 1 | L.72 | C | | |
| 2120 | E.A2.10.655 | RING , half, retaining window inner seal | 1 | L.72 | C | | |
| 2118 | E.A2.10.1601 | RING , half, retaining window seal | 1 | L.72 | C | | |
| 2117 | E.A2.10.1603 | RING , half, retaining window seal | 1 | L.72 | C | | |
| 152 | E.A2.10.685 | RING , rubber, inner seal | 1 | H.R.C | C | | |
| 2116 | E.A2.10.1503 | RING , rubber, window seal | 1 | H.R.C. | C | | |
| 18946 | E.A2.10.665 | STRAP , joint, assembly | 4 | — | C | | |
| 153 | E.A2.10.657 | STRIP , sealing | 1 | Natural Rubber | C | | |
| 154 | E.A2.10.661 | STRIP , inner, retaining ring seal | 1 | Natural Rubber | C | | |
| 155 | E.A2.10.687 | WINDOW , observation, bomb aimer's | 1 | Triplex | C | | |
| 5510 | E.A3.10.3247 | PLATE , access, door hinge and jettison mechanism inspection pressure sealing | 1 | — | C | | |
| 3790 | E.A3.10.1509 | PLATE , backing, door seal, forward, upper | 1 | — | C | | |
| 6479 | E.A3.10.1510 | PLATE , backing, door seal, aft, upper | 1 | — | C | | |
| 3791 | E.A3.10.1511 | PLATE , backing, door seal, forward, lower | 1 | — | C | | |
| 6480 | E.A3.10.1512 | PLATE , backing, door seal, aft, lower | 1 | — | C | | |
| 4752 | E.A3.10.3007 | PLATE , nut, for navigator's lamp mounting bracket (Pre-Mod. 3432) | 1 | — | C | | |
| 14723 | E.A3.10.3797 | SCREW , 1/2" BSF, navigator's hatch | 68 | S.96 | C | | |
| | E.A3.10.3817 | SCREW | 2 | — | — | | |
| 159 | E.A1.10.1171 | SEAL , door, pressure cabin entrance | 1 | BTR.8853 | C | | |
| 156 | E.A3.10.153 | SEAL , inner, navigator's window | 1 | Natural Rubber | C | | |
| 157 | E.A3.10.155 | SEAL , outer, navigator's window | 1 | Natural Rubber | C | | |
| 158 | E.A3.10.549 | SEAL , pressure navigator's escape hatch | 1 | BTR.8853 | C | | |

FUSELAGE
FRONT PORTION

| Ref. No. | Part No. | Description | No. off | Matl. Spec. | Cl. of Equip. | Plate No. |
|-------------|--------------|---|---------|-------------|---------------|-----------|
| | | | | | M.R. L.M. | |
| | E.A3.10.13 | SKINNING, STRUCTURE, PRESSURE BULKHEAD TO FRAME 12, ASSEMBLY (PRE-MOD. 1442) | — | — | — | |
| 3070 | E.A1.10.187 | Spares for:— DOOR ACCESS, V.H.F. MAIN ELECTRICAL PANEL AND GROUND FLIGHT SWITCH, ASSEMBLY (Supplied to Part No. E.A3.00.151 for spares purposes with trim allowance and undrilled hinge attached) | 2 | — | B | |
| 22194 | E.A1.10.177 | Spares for:— GUIDE, rod | 3 | — | C | |
| 2960 | AS.2850 | LOCK, L.H. FLUSH TYPE, ASSEMBLY Spares for:— | 1 | — | B | |
| 32501 | AS.5382 | BOLT, pivot | 1 | — | C | |
| 25791 | AS.2558 | BUTTON, pressure seal | 1 | — | C | |
| 2731 | AS.2552 | HANDLE, single handle lock | 1 | — | C | |
| 32500 | AS.2532 | PLATE, catch | 1 | — | C | |
| 20874 | AS.2559 | SEAL, handle | 1 | — | C | |
| 25792 | AS.5381 | SEAL, push button | 1 | — | C | |
| 32499 | AS.2534 | SPRING, for catch | 1 | — | C | |
| 32498 | AS.2556 | STUD, spring | 3 | — | C | |
| 28D/9128739 | AS.1248/1/2B | Attaching parts for AS.2850:— Bolt, 4 BA | 4 | — | C | |
| 28S/1200066 | A33/B20 | Screw, 4 BA | 11 | — | C | |
| | E.A1.10.2501 | PANEL, access | 1 | — | — | |
| 28D/1007981 | AS.1248/1/2C | Attaching parts for E.A1.10.2501:— Bolt, 2 BA | 8 | — | C | |
| 22197 | E.A1.10.185 | ROD, lock, lower, assembly | 1 | — | C | |
| 22196 | E.A1.10.183 | ROD, lock, upper, assembly | 1 | — | C | |
| 22195 | E.A1.10.181 | ROD, lock, vertical, assembly | 1 | — | C | |
| 12713 | EEAS.141/1 | SEAL, rubber | QR | Shore 40-45 | C | |
| 3642 | E.A1.10.1815 | STAY, door | 1 | — | C | |
| 28M/10338 | AGS.2002/B/2 | Attaching parts for E.A1.10.1815:— Nut, 4 BA | 1 | — | C | |
| 1061 | EEAS.27/27DU | Washer | 1 | — | C | |
| | E.A3.10.2805 | STOWAGE, SUPPORT, STRUT DOOR, ASSEMBLY Spares for:— | 1 | — | — | |
| 5194 | E.A3.10.2809 | PLATE, stiffening | 1 | L.73 | C | |
| 5196 | E.A3.10.2807 | STRAP | 1 | — | C | |
| 28M/1278189 | AGS.2001/B/1 | Attaching parts for E.A3.10.2805:— Nut, 4 BA | 1 | — | C | |
| 28S/9992521 | A33/B24 | Screw, 4 BA | 1 | — | C | |
| 2080 | E.A1.10.1033 | PLUG, forward, jacking point housing | 1 | — | C | |
| 7844 | E.A3.10.2289 | SCOOP, air cooling inverter type 200 | 1 | — | C | |
| 1028 | EEAS.1/3C | SCREW, 2 BA | 24 | S.96 | C | |
| 7845 | E.A3.10.2567 | SPOUT, air cooling inverter, type 200 | 1 | — | C | |

**FUSELAGE
FRONT PORTION**

| Ref. No. | Part No. | 1 | 2 | 3 | 4 | 5 | 6 | Description | No. off | Matl. Spec. | Cl. of Equip. | | Plate No. |
|-------------|--------------|---|---|---|---|---|---|--|---------|-------------|---------------|------|-----------|
| | | | | | | | | | | | M.R. | L.M. | |
| | E.A3.10.15 | | | | | | | STRUCTURE, PRESSURE BULKHEAD TO FRAME 12, ASSEMBLY (PRE-MOD. 1444) | — | — | — | | |
| | | | | | | | | Spares for:— | | | | | |
| 7820 | E.A3.10.3223 | | | | | | | BRACING, strut | 2 | — | | C | |
| | | | | | | | | Attaching parts for E.A3.10.3223:— | | | | | |
| 28D/1008145 | A25/6E | | | | | | | Bolt, 1/2" BSF | 2 | — | | C | |
| 28M/1011425 | A27/EP | | | | | | | Nut, 1/2" BSF | 2 | — | | C | |
| 28W/9419405 | SP.15/E | | | | | | | Washer | 1 | — | | C | |
| 28W/9419487 | SP.16/E | | | | | | | Washer | 1 | — | | C | |
| | E.A1.10.55 | | | | | | | FRAME 12A, JOINT, FORWARD PORTION, ASSEMBLY | — | — | — | | |
| | | | | | | | | Spares for:— | | | | | |
| | E.A3.10.3205 | | | | | | | BEAM, CENTRE, VERTICAL, PORT | 1 | — | — | | |
| | E.A3.10.3206 | | | | | | | BEAM, CENTRE, VERTICAL STARBOARD | 1 | — | — | | |
| | | | | | | | | Repair spares for the above:— | | | | | |
| | ASD.292.RS/1 | | | | | | | ANGLE, inner joint (Make from EEJ.270 Ref. 7109) | 1 | — | | LM | |
| | ASD.292RS/5P | | | | | | | INSERTION, channel, port (Make from E.A3.10.3197, Ref. 22325) | 1 | — | | LM | |
| | ASD.292RS/5S | | | | | | | INSERTION, channel, starboard (Make from E.A3.10.3199, Ref. 22326) | 1 | — | | LM | |
| | ASD.292RS/6P | | | | | | | INSERTION, plate reinforcing, port (Make from E.A3.10.3201, Ref. 22327 or 30B/9611240) | 1 | L.73 | | LM | |
| | ASD.292RS/6S | | | | | | | INSERTION plate, reinforcing, starboard (Make from E.A3.10.3203, Ref. 22328 or 30B/9611240) | 1 | L.73 | | LM | |
| 1438928 | ASD.292RS/4P | | | | | | | STRAP, joint, forward outer, port (Pre-Mod. 856) | 1 | — | | C | |
| 1438929 | ASD.292RS/4S | | | | | | | STRAP, joint forward outer starboard (Pre-Mod. 856) | 1 | — | | C | |
| 1438925 | ASD.292RS/4P | | | | | | | STRAP, joint, forward outer, port (Mod. 856) | 1 | — | | C | |
| 1438926 | ASD.292RS/4S | | | | | | | STRAP, joint forward outer, starboard (Mod. 856) | 1 | — | | C | |
| | ASD.292RS/3 | | | | | | | STRAP, joint forward, leveller, 14 SWG (Make from Ref. 30B/9611242) | 1 | L.73 | | LM | |
| 1438927 | ASD.292RS/2 | | | | | | | STRAP, joint, aft, 14 SWG | 1 | S.514 | | C | |
| 18641 | E.A3.71.389 | | | | | | | BEAM, mounting, oxygen bottles | 2 | — | | C | |
| | | | | | | | | Attaching parts for E.A3.71.389:— | | | | | |
| 28D/9133012 | A25/3C | | | | | | | Bolt, 2 BA (Upper beam) | 8 | — | | C | |
| 28D/9133012 | A25/3C | | | | | | | Bolt, 2 BA (Lower beam) | 6 | — | | C | |
| 28D/9140645 | A25/10C | | | | | | | Bolt, 2 BA (Lower beam) | 2 | — | | C | |
| 28W/9419402 | SP.13/C | | | | | | | Washer | 4 | — | | C | |
| 24690 | E.A1.10.909 | | | | | | | BRACKET, door lock, starboard | 1 | — | | C | |
| | | | | | | | | (Supplied to Part No. E.A3.00.596 for spares purposes) | | | | | |
| 4045 | E.A1.10.1621 | | | | | | | BRACKET, door lock, port | 1 | — | | C | |
| 4691 | E.A3.10.3151 | | | | | | | BRACKET, LOCK LEVER, ASSEMBLY STARBOARD (PRE-MOD. 1465) | 1 | — | | C | |
| | | | | | | | | Spares for:— | | | | | |
| 21220 | E.A3.10.3133 | | | | | | | LEVER, lock, assembly | 1 | — | | MR | |

**FUSELAGE
FRONT PORTION**

| Ref. No. | Part No. | Description | | | | | | No. off | Matl. Spec. | Cl. of Equip. | Place No. |
|-------------|--------------|---|---|---|---|---|---|---------|--------------|---------------|-----------|
| | | 1 | 2 | 3 | 4 | 5 | 6 | | | M.R. L.M. | |
| 21905 | E.A3.10.3333 | BRACKET, LOCK LEVER, ASSEMBLY, STARBOARD (MOD. 1465) | | | | | | 1 | — | C | |
| | | Spares for:— | | | | | | | | | |
| 34103 | E.A3.10.3150 | BRACKET | | | | | | 1 | — | C | |
| 23400 | E.A3.10.3335 | LEVER LOCK, ASSEMBLY | | | | | | 1 | — | C | |
| | | Consisting of:— | | | | | | | | | |
| | E.A3.10.3349 | FORK-END | | | | | | 1 | — | — | |
| | E.A3.10.3337 | LEVER | | | | | | 1 | — | — | |
| 28N/9156370 | SP.21 | NIPPLE, grease | | | | | | 1 | — | C | |
| | E.A3.10.3099 | NUT | | | | | | 1 | — | — | |
| 28M/1011467 | A27/ES | NUT, 1/4" BSF | | | | | | 1 | — | C | |
| | E.A3.10.3351 | PIN | | | | | | 1 | — | — | |
| 28P/9527619 | SP.90/C7 | PIN, split | | | | | | 1 | — | C | |
| | E.A3.10.3347 | ROLLER, assembly | | | | | | 1 | — | — | |
| | E.A3.10.3339 | SHIM | | | | | | 2 | — | — | |
| 28W/9419405 | SP.15/E | WASHER | | | | | | 1 | — | C | |
| | | Attaching parts for E.A3.10.3335:— | | | | | | | | | |
| | 32399 | Bolt | | | | | | 1 | — | C | |
| 28M/5808571 | A27/GS | Nut, 5/8" BSF | | | | | | 1 | — | C | |
| 28P/9527619 | SP.90/C7 | Pin, split | | | | | | 1 | — | C | |
| | 4074 | Washer, spacing | | | | | | 1 | — | C | |
| 28W/9419476 | SP.15/G | Washer | | | | | | 1 | — | C | |
| | | BRACKET, oxygen cylinder cradle | | | | | | 2 | — | C | |
| | 30807 | BRACKET, oxygen mounting beam | | | | | | 7 | — | C | |
| | 18642 | Attaching parts for E.A3.71.403:— | | | | | | | | | |
| | 28D/9133012 | Bolt, 2 BA (As required) | | | | | | 4 | — | C | |
| | 28D/9140644 | Bolt, 2 BA (As required) | | | | | | 4 | — | C | |
| | 28D/9435710 | Bolt, 2 BA (As required) | | | | | | 4 | — | C | |
| | 28M/1278190 | Nut, 2 BA | | | | | | 4 | — | C | |
| | | Tube, distance (As required) | | | | | | 4 | L.62 | LM | |
| | 28W/9419404 | Washer (As required) | | | | | | 4 | — | C | |
| | 4106 | BRACKET, strut, pick-up | | | | | | 1 | — | C | |
| | 22957 | BRACKET, support pipe | | | | | | 1 | — | C | |
| | E.B6.10.1101 | COMPASS, ALIGNMENT POINT, ASSEMBLY (MOD. 2646) | | | | | | — | — | — | |
| | | Spares for:— | | | | | | | | | |
| | E.A9.10.3629 | BLOCK, attachment | | | | | | 1 | L.65 or L.40 | — | |
| | | Attaching parts for E.A9.10.3629:— | | | | | | | | | |
| | 28D/9140645 | Bolt, 2 BA | | | | | | 2 | — | C | |
| | 28M/1278190 | Nut, 2 BA | | | | | | 2 | — | C | |
| | 28W/9419404 | Washer | | | | | | 2 | — | C | |
| | 3876 | GUARD, assembly | | | | | | 1 | — | C | |
| | | Attaching parts for E.A3.10.2447:— | | | | | | | | | |
| | 28S/1011490 | Screw, 2 BA | | | | | | 4 | — | C | |
| | 21101 | GUARD, lock, lever, assembly | | | | | | 1 | — | C | |
| | | Attaching parts for E.A3.10.3353:— | | | | | | | | | |
| | 28S/1011490 | Screw, 2 BA | | | | | | 4 | — | C | |

**FUSELAGE
FRONT PORTION**

| Ref. No. | Part No. | Description | | | | | | No. off | Matl. Spec. | Cl. of Equip. | Plate No. |
|-------------|--------------|--|---|---|---|---|---|---------|-------------|---------------|-----------|
| | | 1 | 2 | 3 | 4 | 5 | 6 | | | M.R. L.M. | |
| 4672* | E.A3.10.3217 | GUIDE , roller, port (Supplied to Part No. E.A3.00.873 for spares purposes) | | | | | | 1 | — | C | |
| 28446 | E.A3.10.3218 | GUIDE , roller, starboard (Supplied to Part No. E.A3.00.874 for spares purposes) | | | | | | 1 | — | C | |
| 4673* | | Attaching parts for E.A3.10.3217 and E.A3.10.3218:— | | | | | | | | | |
| 28443 | | Bolt, 2 BA | | | | | | 19 | — | C | |
| 28D/9133011 | A25/2C | Nut, 2 BA | | | | | | 19 | — | C | |
| 28M/1278190 | AGS.2001/C/1 | Washer | | | | | | 19 | — | C | |
| 28W/9419402 | SP.13/C | | | | | | | | | | |
| 4692 | E.A3.10.3161 | LEVER, LOCK, NOSE UNDERCARRIAGE, PORT, ASSEMBLY | | | | | | 1 | — | B | |
| | | Spares for:— | | | | | | | | | |
| 15792 | E.A3.10.3149 | BRACKET | | | | | | 1 | — | C | |
| 15793 | E.A3.10.3159 | LEVER , assembly | | | | | | 1 | — | C | |
| | | Attaching parts for E.A3.10.3159:— | | | | | | | | | |
| 32399 | E.A3.10.3219 | Bolt, shouldered, 3/8" BSF | | | | | | 1 | — | C | |
| 4074 | E.A1.10.1407 | Washer, spacing | | | | | | 1 | — | C | |
| 28W/9419476 | SP.15/G | Washer | | | | | | 1 | — | C | |
| 3841 | E.A6.10.1091 | PLATE , joint, bottom half, joint ring ... | | | | | | 1 | — | C | |
| 6739 | E.A1.10.1697 | PLATE , joint, boundary angle to diaphragm, port | | | | | | 1 | — | C | |
| 18897 | E.A1.10.1698 | PLATE , joint, boundary angle to diaphragm, starboard | | | | | | 1 | — | C | |
| 7903 | E.A1.10.771 | HOUSING , spigot | | | | | | 1 | — | C | |
| | | Attaching parts for E.A1.10.771:— | | | | | | | | | |
| 28D/1011238 | A25/3E | Bolt, 1/2" BSF | | | | | | 8 | — | C | |
| | E.B6.10.313 | SKINNING, STRUCTURE PRESSURE BULKHEAD TO FRAME 12, ASSEMBLY (MOD. 1444) | | | | | | — | — | — | |
| | | Spares for this assembly are identical with those for assembly Part No. E.A3.10.13 on page 517, except for the following deletion and addition | | | | | | | | | |
| | | Delete:— | | | | | | | | | |
| | E.A3.10.15 | STRUCTURE, PRESSURE BULKHEAD TO FRAME 12, ASSEMBLY | | | | | | — | — | — | |
| | | Add:— | | | | | | | | | |
| | E.B6.10.315 | STRUCTURE, PRESSURE BULKHEAD TO FRAME 12, ASSEMBLY | | | | | | — | — | — | |
| | | Spares for this assembly are identical with those for assembly Part No. E.A3.10.15 on page 518, except for the following addition:— | | | | | | | | | |
| | | Add:— | | | | | | | | | |
| 37553 | E.B6.10.279 | BRACKET , angle, assembly | | | | | | 2 | — | C | |
| | | Attaching parts for E.B6.10.279:— | | | | | | | | | |
| 28D/1011029 | A25/1E | Bolt, 1/2" BSF | | | | | | 2 | — | C | |

**FUSELAGE
FRONT PORTION**

| Ref. No. | Part No. | Description | | | | | | No. off | Matl. Spec. | Cl. of Equip. | Plate No. |
|--------------|--------------|-------------|---|---|---|---|---|---------|----------------|---------------|-----------|
| | | 1 | 2 | 3 | 4 | 5 | 6 | | | M.R. L.M. | |
| 37562 | E.B6.10.265 | | | | | | | 1 | — | MR | |
| | E.B6.10.5 | | | | | | | — | — | — | |
| | | | | | | | | | | | |
| | E.B6.10.7 | | | | | | | — | — | — | |
| 8236 | E.A1.10.43 | | | | | | | 1 | — | MR | |
| 1438962 | E.A1.10.383 | | | | | | | 1 | — | MR | |
| 8237 | E.A1.10.45 | | | | | | | 1 | — | MR | |
| 21995 | E.A1.10.384 | | | | | | | 1 | — | MR | |
| 8244 | E.A3.10.27 | | | | | | | 1 | — | MR | |
| 5278 | E.A1.10.1345 | | | | | | | 1 | — | C | |
| 5279 | E.A1.10.1347 | | | | | | | 1 | — | C | |
| 28D/1007976 | AS.1242/4C | | | | | | | 2 | — | C | |
| 28D/1013172 | AS.1242/5C | | | | | | | 2 | — | C | |
| 28M/1278190 | AGS.2001/C/1 | | | | | | | 4 | — | C | |
| 28FP/9455495 | DZUS S4/250 | | | | | | | 6 | — | C | F.8 |
| 8888 | E.A3.10.3255 | | | | | | | 1 | — | C/MR | |
| 28D/9436920 | A25/1C | | | | | | | 1 | — | C | |
| 28M/11957 | AGS.2007/C/1 | | | | | | | 1 | — | C | |
| | E.B6.10.307 | | | | | | | — | — | — | |
| 26420 | E.B6.10.295 | | | | | | | 2 | S.1 or S.91 | C | |
| 28D/9131782 | AS.1242/2B | | | | | | | 4 | — | C | |
| 28M/1278189 | AGS.2001/B/1 | | | | | | | 4 | — | C | |
| 28W/9419465 | SP.13/B | | | | | | | 4 | — | C | |
| 15785 | E.A3.10.1583 | | | | | | | 1 | L.72 | MR | |
| 28D/9436920 | A25/1C | | | | | | | 2 | — | C | |
| 28D/1007981 | AS.1248/½C | | | | | | | 4 | — | C | |
| 28W/9419475 | SP.15/C | | | | | | | 2 | — | C | |
| 9/3573 | † | | | | | | | 1 | — | B | |
| 9/3564 | † | | | | | | | 2 | — | B | |
| 9/4376 | † | | | | | | | 1 | — | B | |
| 9/3572 | † | | | | | | | 4 | — | B | |
| 9/4372 | † | | | | | | | 2 | — | B | |
| 9/3563 | † | | | | | | | 2 | — | B | |
| 2084 | E.A2.10.471 | | | | | | | 1 | — | C | |
| 28D/1214034 | AS.1242/12C | | | | | | | 20 | — | C | |
| 130 | E.A3.10.983 | | | | | | | 20 | Natural Rubber | C | |
| 2083 | E.A2.10.477 | | | | | | | 1 | — | C | |
| 28M/10281 | AGS.2001/C/3 | | | | | | | 20 | — | C | |
| 2082 | E.A2.10.475 | | | | | | | 1 | Natural Rubber | C | |

**FUSELAGE
FRONT PORTION**

| Ref. No. | Part No. | Description | | | | | | No. off | Matl. Spec. | Cl. of Equip. M.R. L.M. | Plate No. |
|-------------|--------------|--|-----|-----|-----|-----|-----|---------|----------------|-------------------------------|-----------|
| | | 1 | 2 | 3 | 4 | 5 | 6 | | | | |
| 3412 | EEAS.20/3DR | TAB, locking | ... | ... | ... | ... | ... | 2 | L.72 | C | |
| 2140 | E.A1.20.1033 | WASHER | ... | ... | ... | ... | ... | 16 | — | C | |
| 5125 | E.A3.10.3023 | WASHER, sealing, escape hatch pivot | ... | ... | ... | ... | ... | 2 | Natural Rubber | C | |
| 160 | E.A3.10.361 | WINDOW, navigator's, complete with valve | ... | ... | ... | ... | ... | 1 | — | C | |
| | | Attaching parts for E.A3.10.361:— | | | | | | | | | |
| 28D/1214034 | AS.1242/12C | Bolt, 2 BA | ... | ... | ... | ... | ... | 16 | — | C | |
| 130 | E.A3.10.983 | Bush, rubber (May be made from 32C/507) | ... | ... | ... | ... | ... | 16 | Natural Rubber | C | |
| 28M/10281 | AGS.2001/C/3 | Nut, 2 BA | ... | ... | ... | ... | ... | 16 | — | C | |
| 156 | E.A3.10.153 | Seal, rubber, inner | ... | ... | ... | ... | ... | 1 | Natural Rubber | C | |
| 157 | E.A3.10.155 | Seal, rubber, outer | ... | ... | ... | ... | ... | 1 | Natural Rubber | C | |

**FUSELAGE
FRONT PORTION**

| Ref. No. | Part No. | Description | | | | | | No. off | Matl. Spec. | Cl. of Equip. | Plate No. |
|--|-------------|-------------|------|-----|-------------------------|-----|-----|---------|-------------|---------------|-----------|
| | | 1 | 2 | 3 | 4 | 5 | 6 | | | M.R. L.M | |
| SUMMARY OF STOCK ITEMS USED ON FRONT FUSELAGE, ASSEMBLY | | | | | | | | | | | |
| 28D/1010658 | A25/1B | Bolt | 4 | BA | ... | ... | ... | ... | | C | |
| 28D/1008149 | A25/2B | Bolt | 4 | BA | ... | ... | ... | ... | | C | |
| 28D/9419452 | A25/3B | Bolt | 4 | BA | hex. head, "7 long | ... | ... | ... | | C | |
| 28D/9140638 | A25/4B | Bolt | 4 | BA | hex. head, "8 long | ... | ... | ... | | C | |
| 28D/9436920 | A25/1C | Bolt | 2 | BA | hex. head, "55 long | ... | ... | ... | | C | |
| 28D/9133011 | A25/2C | Bolt | 2 | BA | hex. head, "65 long | ... | ... | ... | | C | |
| 28D/9133012 | A25/3C | Bolt | 2 | BA | hex. head, "75 long | ... | ... | ... | | C | |
| 28D/1200119 | A25/4C | Bolt | 2 | BA | hex. head, "85 long | ... | ... | ... | | C | |
| 28D/9133013 | A25/5C | Bolt | 2 | BA | hex. head, "95 long | ... | ... | ... | | C | |
| 28D/7002428 | A25/6C | Bolt | 2 | BA | hex. head, 1"05 long | ... | ... | ... | | C | |
| 28D/9140644 | A25/9C | Bolt | 2 | BA | ... | ... | ... | ... | | C | |
| 28D/9140645 | A25/10C | Bolt | 2 | BA | ... | ... | ... | ... | | C | |
| 28D/9435710 | A25/11C | Bolt | 2 | BA | ... | ... | ... | ... | | C | |
| 28D/1011025 | A25/24C | Bolt | 2 | BA | hex. head, 2"85 long | ... | ... | ... | | C | |
| 28D/1212402 | A25/31C | Bolt | 2 | BA | hex. head, 3"35 long | ... | ... | ... | | C | |
| 28D/1011029 | A25/1E | Bolt | 1/4" | BSF | hex. head, "6 long | ... | ... | ... | | C | |
| 28D/1011030 | A25/2E | Bolt | 1/4" | BSF | hex. head, "7 long | ... | ... | ... | | C | |
| 28D/1011238 | A25/3E | Bolt | 1/4" | BSF | hex. head | ... | ... | ... | | C | |
| 28D/1008151 | A25/4E | Bolt | 1/4" | BSF | hex. head, "9 long | ... | ... | ... | | C | |
| 28D/1008145 | A25/6E | Bolt | 1/4" | BSF | hex. head, 1"1 long | ... | ... | ... | | C | |
| 28D/1011242 | A25/7E | Bolt | 1/4" | BSF | hex. head, 1"2 long | ... | ... | ... | | C | |
| 28D/1212309 | A25/25E | Bolt | 1/4" | BSF | ... | ... | ... | ... | | C | |
| 28D/1011304 | A25/15J | Bolt | 3/8" | BSF | hex. head, 2"15 long | ... | ... | ... | | C | |
| 28D/1214980 | A28/6C | Bolt | 2 | BA | ... | ... | ... | ... | | C | |
| 28D/1212940 | A61/2C | Bolt | 2 | BA | hex. head, 1"05 long | ... | ... | ... | | C | |
| 28D/1212941 | A61/3C | Bolt | 2 | BA | hex. head, 1"1 long | ... | ... | ... | | C | |
| 28D/9434862 | A61/6E | Bolt | 2 | BA | ... | ... | ... | ... | | C | |
| 28D/9131782 | AS.1242/2B | Bolt | 4 | BA | ... | ... | ... | ... | | C | |
| 28D/1007319 | AS.1242/4B | Bolt | 4 | BA | c'sk. head, "75 long | ... | ... | ... | | C | |
| 28D/1214302 | AS.1242/8B | Bolt | 4 | BA | c'sk. head, 1"15 long | ... | ... | ... | | C | |
| 28D/9130080 | AS.1242/9B | Bolt | 4 | BA | c'sk. head, 1"25 long | ... | ... | ... | | C | |
| 28D/1214303 | AS.1242/10B | Bolt | 2 | BA | c'sk. head, 1"35 long | ... | ... | ... | | C | |
| 28D/1002405 | AS.1242/13B | Bolt | 4 | BA | ... | ... | ... | ... | | C | |
| 28D/1013171 | AS.1242/14B | Bolt | 4 | BA | ... | ... | ... | ... | | C | |
| 28D/1007975 | AS.1242/1C | Bolt | 2 | BA | c'sk. head, "5 long | ... | ... | ... | | C | |
| 28D/1214095 | AS.1242/2C | Bolt | 2 | BA | ... | ... | ... | ... | | C | |
| 28D/1007976 | AS.1242/4C | Bolt | 2 | BA | c'sk. head, "8 long | ... | ... | ... | | C | |
| 28D/1013572 | AS.1242/5C | Bolt | 2 | BA | ... | ... | ... | ... | | C | |
| 28D/1204937 | AS.1242/6C | Bolt | 2 | BA | c'sk. head, 1" long | ... | ... | ... | | C | |
| 28D/1007978 | AS.1242/7C | Bolt | 2 | BA | ... | ... | ... | ... | | C | |
| 28D/1214032 | AS.1242/9C | Bolt | 2 | BA | c'sk. head, 1"3 long | ... | ... | ... | | C | |
| 28D/1013173 | AS.1242/10C | Bolt | 2 | BA | c'sk. head, 1"4 long | ... | ... | ... | | C | |
| 28D/1214034 | AS.1242/12C | Bolt | 2 | BA | c'sk. head, 1"6 long | ... | ... | ... | | C | |
| 28D/1214035 | AS.1242/13C | Bolt | 2 | BA | c'sk. head, 1"7 long | ... | ... | ... | | C | |
| 28D/1214036 | AS.1242/14C | Bolt | 2 | BA | c'sk. head, 1"8 long | ... | ... | ... | | C | |
| 28D/1214039 | AS.1242/18C | Bolt | 2 | BA | c'sk. head, 2"2 long | ... | ... | ... | | C | |
| 28D/1013177 | AS.1242/2E | Bolt | 1/4" | BSF | c'sk. head, "65 long | ... | ... | ... | | C | |
| 28D/1202334 | AS.1242/3E | Bolt | 1/4" | BSF | c'sk. head, "75 long | ... | ... | ... | | C | |
| 28D/1213006 | AS.1242/2J | Bolt | 1/4" | BSF | c'sk. head, "8 long | ... | ... | ... | | C | |
| 28D/1007979 | AS.1246/1B | Bolt | 4 | BA | round head, "45 long | ... | ... | ... | | C | |
| 28D/9128239 | AS.1248/1B | Bolt | 4 | BA | mushroom head, "45 long | ... | ... | ... | | C | |

FUSELAGE
FRONT PORTION

| Ref. No. | Part No. | Description | No. off | Matl. Spec. | Cl. of Equip. | Plate No. | | | |
|-------------|--------------|--|---------|-------------|---------------|-----------|---|--|--|
| | | | | | M.R. L.M. | | | | |
| | | 1 | 2 | 3 | 4 | 5 | 6 | | |
| 28D/8337 | AS.1248/1B | Bolt, 4 BA, mushroom head, "45 long ... | ... | ... | ... | C | | | |
| 28D/1218385 | AS.1248/2B | Bolt, 4 BA, mushroom head, "55 long ... | ... | ... | ... | C | | | |
| 28D/1007981 | AS.1248/1/2C | Bolt, 2 BA ... | ... | ... | ... | C | | | |
| 28D/1007982 | AS.1248/1C | Bolt, 2 BA ... | ... | ... | ... | C | | | |
| 28D/1013284 | AS.1248/2C | Bolt, 1 BA ... | ... | ... | ... | C | | | |
| 28D/1212374 | AS.2920/5E | Bolt, 1/2" BSF, c'sk. head, "95 long ... | ... | ... | ... | C | | | |
| 28M/9403519 | A27/BP | Nut, 4 BA ... | ... | ... | ... | C | | | |
| 28M/1006504 | A27/BT | Nut, 4 BA, thin ... | ... | ... | ... | C | | | |
| 28M/9403520 | A27/CP | Nut, 1 BA, plain ... | ... | ... | ... | C | | | |
| 28M/13278 | A27/CPL | Nut, 2 BA, L.H. ... | ... | ... | ... | C | | | |
| 28M/1006473 | A27/CT | Nut, 2 BA, thin ... | ... | ... | ... | C | | | |
| 28M/1011475 | A27/EP | Nut, 1/2" BSF, plain ... | ... | ... | ... | C | | | |
| 28M/1007403 | A27/ET | Nut, 1/2" BSF, thin ... | ... | ... | ... | C | | | |
| 28M/5808571 | A27/GS | Nut, 1/2" BSF ... | ... | ... | ... | C | | | |
| 28M/1011476 | A27/JS | Nut, 1/2" BSF, slotted ... | ... | ... | ... | C | | | |
| 28M/1007404 | A27/JT | Nut, 1/2" BSF, thin ... | ... | ... | ... | C | | | |
| 28M/13324 | A29/CP | Nut, 2 BA, plain ... | ... | ... | ... | C | | | |
| 28M/13376 | A29/EP | Nut, 1/2" BSF, plain ... | ... | ... | ... | C | | | |
| 28M/10286 | AGS.2001/A/1 | Nut, stiff, 6 BA ... | ... | ... | ... | C | | | |
| 28M/1278189 | AGS.2001/B/1 | Nut, stiff, 4 BA ... | ... | ... | ... | C | | | |
| 28M/1278190 | AGS.2001/C/1 | Nut, stiff, 2 BA ... | ... | ... | ... | C | | | |
| 28M/10281 | AGS.2001/C/3 | Nut, stiff, 2 BA ... | ... | ... | ... | C | | | |
| 28M/1086618 | AGS.2002/B/1 | Nut, stiff, 4 BA ... | ... | ... | ... | C | | | |
| 28M/10338 | AGS.2002/B/2 | Nut, 4 BA ... | ... | ... | ... | C | | | |
| 28M/9433473 | AGS.2002/C/1 | Nut, stiff, 2 BA ... | ... | ... | ... | C | | | |
| 28M/10333 | AGS.2002/L/1 | Nut, stiff, 7/8" BSF ... | ... | ... | ... | C | | | |
| 28M/11957 | AGS.2007/C/1 | Nut, plate, 1 BA ... | ... | ... | ... | C | | | |
| 28P/817 | SP.4Y/A7 | Pin, shackle ... | ... | ... | ... | C | | | |
| 28P/9130722 | SP.4Y/B2 | Pin, shackle ... | ... | ... | ... | C | | | |
| 28P/1207864 | SP.4Y/B4 | Pin, shackle ... | ... | ... | ... | C | | | |
| 28P/832 | SP.4Y/B6 | Pin, shackle ... | ... | ... | ... | C | | | |
| 28S/1006948 | A32/A12 | Screw, 6 BA ... | ... | ... | ... | C | | | |
| 28S/1200080 | A32/B8 | Screw, 4 BA, round head, 1/2" long ... | ... | ... | ... | C | | | |
| 28S/9995324 | A32/C16 | Screw, 2 BA ... | ... | ... | ... | C | | | |
| 28S/1200062 | A33/A20 | Screw, 6 BA, c'sk. head, 5/8" long ... | ... | ... | ... | C | | | |
| 28S/9131780 | A33/B6 | Screw, 4 BA, c'sk. head, 7/8" long ... | ... | ... | ... | C | | | |
| 28S/9995325 | A33/B8 | Screw, 4 BA, c'sk. head, 1/2" long ... | ... | ... | ... | C | | | |
| 28S/9435716 | A33/B12 | Screw, 4 BA, c'sk. head, 3/8" long ... | ... | ... | ... | C | | | |
| 28S/9435715 | A33/B16 | Screw, 4 BA, c'sk. head, 1/2" long ... | ... | ... | ... | C | | | |
| 28S/1200066 | A33/B20 | Screw, 4 BA ... | ... | ... | ... | C | | | |
| 28S/9992521 | A33/B24 | Screw, 4 BA ... | ... | ... | ... | C | | | |
| 28S/1006947 | A33/B40 | Screw, 4 BA, c'sk. head, 1 1/2" long ... | ... | ... | ... | C | | | |
| 28S/1011504 | A33/C32 | Screw, 2 BA ... | ... | ... | ... | C | | | |
| 28S/9464899 | A37/C8 | Screw, 2 BA, c'sk. head, 1/4" long ... | ... | ... | ... | C | | | |
| 28S/9130764 | A37/C12 | Screw, 2 BA, c'sk. head, 3/8" long ... | ... | ... | ... | C | | | |
| 28S/9446545 | A45/C16 | Screw, 2 BA ... | ... | ... | ... | C | | | |
| 28W/9419465 | SP.13/B | Washer ... | ... | ... | ... | C | | | |
| 28W/9419402 | SP.13/C | Washer, 2 BA, plain ... | ... | ... | ... | C | | | |
| 28W/9419466 | SP.13/J | Washer, 1/2" BSF, plain ... | ... | ... | ... | C | | | |
| 28W/9419475 | SP.15/C | Washer, 2 BA, plain ... | ... | ... | ... | C | | | |
| 28W/9419405 | SP.15/E | Washer, 1/2" BSF, plain ... | ... | ... | ... | C | | | |
| 28W/9419476 | SP.15/G | Washer ... | ... | ... | ... | C | | | |
| 28W/9419478 | SP.15/L | Washer, 1/2" BSF, plain ... | ... | ... | ... | C | | | |

**FUSELAGE
FRONT PORTION**

| Ref. No. | Part No. | Description | | | | | | No. off | Matl. Spec. | Cl. of Equip. M.R. L.M. | Plate No. |
|-------------|------------|-------------|-----|------|--------|-----|-----|---------|-------------|-------------------------------|-----------|
| | | 1 | 2 | 3 | 4 | 5 | 6 | | | | |
| 28W/9419404 | SP.16/C | Washer, | 2 | BA, | plain | ... | ... | ... | ... | C | |
| 28W/9419487 | SP.16/E | Washer, | 1 | BSF, | plain | ... | ... | ... | ... | C | |
| 28W/9416642 | SP.47/B | Washer, | 4 | BA, | spring | ... | ... | ... | ... | C | |
| 28W/9416643 | SP.47/C | Washer, | 2 | BA, | spring | ... | ... | ... | ... | C | |
| 28W/1010155 | AGS.162/B | Washer | ... | ... | ... | ... | ... | ... | ... | C | |
| 28W/6316 | AGS.585/C | Washer | ... | ... | ... | ... | ... | ... | ... | C | |
| 28W/9419448 | AGS.2035/B | Washer | ... | ... | ... | ... | ... | ... | ... | C | |

**FUSELAGE
NOSE PORTION**

| Ref. No. | Part No. | Description | | | | | | No. off | Matl. Spec. | Cl. of Equip. M.R. L.M. | Plate No. |
|-------------|-------------|--|---|---|---|---|---|---------|--------------|-------------------------------|-----------|
| | | 1 | 2 | 3 | 4 | 5 | 6 | | | | |
| | E.B6.00.41 | NOSE; FUSELAGE, ASSEMBLY (Supplied to Drg. No. E.B6.00.559 for spares purposes) | | | | | | — | — | — | |
| | E.A3.74.105 | BLAST COOLING FOR INVERTER, TYPE 200, ASSEMBLY Spares for:— | | | | | | — | — | — | F.10 |
| 28E/9128961 | AGS.605/1 | CLIP , hose | | | | | | 2 | — | C | |
| 3690 | E.A3.74.103 | PIPE , assembly | | | | | | 1 | — | C | F.10 |
| | E.A3.74.107 | SLEEVE , pipe connecting, 3½" long (Make from Ref. 32C/376) | | | | | | 1 | DTD.625 | LM | F.10 |
| 2832 | E.A3.74.99 | WASHER , special | | | | | | 1 | Felt | C | F.10 |
| 30A/ | † | WIRE , locking | | | | | | QR | — | — | |
| | E.B6.75.3 | CABIN , pressure system (See page 907) | | | | | | — | — | — | |
| | E.A3.74.21 | COLD, AIR SUPPLY TO PILOT, ASSEMBLY Spares for:— | | | | | | — | — | — | |
| 7240 | E.A3.74.45 | BRACKET , non-return valve mounting | | | | | | 1 | L.72 | C | F.9 |
| 2164 | EEAS.112/5 | CLIP , pipe, ½" o/d. | | | | | | 5 | L.16 | C | F.9 |
| | or | | | | | | | | | | |
| 4965 | EEAS.143/5 | | | | | | | | | | |
| 2163 | EEAS.112/15 | CLIP , pipe, 1" o/d. | | | | | | 6 | L.16 | C | F.9 |
| 5260 | EEAS.143/5H | CLIP , pipe, single, ½" o/d., bonding | | | | | | 2 | L.72 | C | |
| 8995 | E.A3.74.47 | CLIP , for non-return valve mounting | | | | | | 2 | L.54 | C/MR | F.9 |
| 8990 | E.A3.74.53 | COUPLING , drain pipe outlet | | | | | | 1 | DTD.425 | C/MR | F.9 |
| | E.A3.74.63 | HOSE , connection, 1" i/d. x 3" long, between air pipe sections (Make from 32C/376) | | | | | | 5 | DTD.625 | LM | F.9 |
| | E.A3.74.67 | HOSE , connection, ½" i/d. x 1½" long from water trap to drain pipe (Make from 32C/488) | | | | | | 1 | DTD.625 | LM | F.9 |
| | THERMOTANK | | | | | | | | | | |
| 5042 | K.1259/43 | LOUVRE , punkah air, type D.A.R.2 | | | | | | 1 | — | B | F.9 |
| 12990 | E.A2.74.33 | PIPE , section, cold air system (Mod. 1255) | | | | | | 1 | L.54 | C | F.9 |
| 5633 | E.A3.74.111 | PIPE , section, cold air system | | | | | | 1 | L.54 | C | F.9 |
| 5634 | E.A3.74.113 | PIPE , section, cold air system | | | | | | 1 | L.54 | C | F.9 |
| 5635 | E.A3.74.115 | PIPE , assembly, drain | | | | | | 1 | L.54 | C | F.9 |
| 8991 | E.A3.74.51 | RING , louvre, mounting | | | | | | 1 | DTD.36 | C/MR | F.9 |
| 3681 | E.A3.74.49 | SCOOP , cold air | | | | | | 1 | L.59 | C | F.9 |
| 981 | EEAS.20/2DR | TAB , locking, 20 SWG | | | | | | 1 | L.72 | C | F.9 |
| 20814 | E.A3.74.43 | TRAP , water (Mod. 1255) | | | | | | 1 | — | B | F.9 |
| 5683 | E.A3.74.23 | VALVE, NON-RETURN, ASSEMBLY Consisting of:— | | | | | | 1 | — | A | F.9 |
| | E.A3.74.39 | ADAPTOR | | | | | | 2 | DTD.683 | — | F.9 |
| | E.A3.74.41 | BODY , non-return valve | | | | | | 1 | DTD.683 | — | F.9 |
| 5639 | E.A3.74.25 | PLUNGER VALVE SEAL, ASSEMBLY Spares for:— | | | | | | 1 | — | C | F.9 |
| 5640 | E.A3.74.29 | SEAL | | | | | | 1 | Hallprene 21 | C | F.9 |
| | E.A3.74.27 | WASHER , seal, retaining | | | | | | 1 | — | — | F.9 |
| 5060 | E.A3.74.35 | SHIM , laminated | | | | | | 1 | — | C | F.9 |
| 5059 | E.A3.74.37 | SPRING , compression | | | | | | 1 | DTD.215 | C | F.9 |
| 5043 | E.A3.74.33 | WASHER , sealing | | | | | | 1 | DTD.378/A | C | F.9 |
| | E.B6.45.3 | CONTROLS , flying in cockpit (See page 113) | | | | | | — | — | — | |

**FUSELAGE
NOSE PORTION**

| Ref. No. | Part No. | Description | No. off | Matl. Spec. | Cl. of Equip. | Plate No. |
|-------------|---------------|--|---------|-------------------|---------------|-----------|
| | | | | | M.R. L.M. | |
| | E.B6.47.3 | CONTROL , engine, in front fuselage (See page 57) | — | — | — | |
| | E.A3.76.215 | DE-MISTING system (See page 955) ... | — | — | — | |
| | — | DUCT COOLING, ASSEMBLY, FOR INVERTER'S, TYPE 100A AND 103 (E.B6.00.359) (MOD. 1420) Spares for:— | — | — | — | |
| | E.B6.81.1001 | BAY, INVERTER, ASSEMBLY ... Spares for:— | — | — | — | |
| | E.B6.81.1033 | ANGLE , foot (Made from EEDX.127) ... | 1 | — | — | F.10 |
| | E.B6.81.1231 | ANGLE , foot (Made from EEDX.127) ... | 1 | — | — | F.10 |
| | KING AIRCRAFT | | | | | |
| 34523 | C.4596/2½ | CLIP , hose ... | 2 | — | C | |
| 30165 | C.4596/2½ | CLIP , hose ... | 2 | — | C | |
| 32537 | E.B6.81.1059 | PLATE , mounting assembly ... | 1 | — | C | F.10 |
| 32536 | E.B6.81.1037 | PLATE MOUNTING INVERTER ASSEMBLY ... Spares for:— | 1 | — | B | F.10 |
| 32332 | E.A3.81.2885 | PIN , locating ... | 1 | S.61 | C | F.10 |
| 32538 | E.B6.74.87 | SLEEVE , connecting ... | 1 | Bells Asbestos | C | F.10 |
| 32539 | E.B6.74.89 | SLEEVE , connecting ... | 1 | Bells Asbestos | C | F.10 |
| | E.B6.74.1 | DUCT COOLING ASSEMBLY ... Spares for:— | — | — | — | |
| 32335 | E.B6.74.3 | DUCT , cooling ... | 1 | L.59 | C | F.10 |
| 32339 | E.B6.74.77 | DUCT , outlet ... | 1 | — | C | F.10 |
| 32336 | E.B6.74.55 | GASKET (made from 32B/9103608) ... | 1 | Langite | C | |
| 32337 | E.B6.74.57 | GASKET (made from 32B/9103608) ... | 2 | Langite | C | F.10 |
| 32338 | E.B6.74.67 | GASKET (made from 32B/9103608) ... | 1 | Langite | C | F.10 |
| 32340 | E.B6.74.81 | INTAKE , air inverter cooling (mod. 3878) ... | 1 | — | B | F.10 |
| 34342 | E.B6.74.131 | INTAKE , air inverter cooling (mod. 3878) ... | 1 | — | B | |
| 32542 | E.B7.74.27 | SHIM , laminated 0"003 thick ... | 1 | Al. Alloy | C | F.10 |
| | E.B6.81.5 | ELECTRICAL equipment in front fuselage ... (see page 165) | — | — | — | |
| | E.A1.75.731 | FUEL , system, nitrogen, in front fuselage. (see page 1099) | — | — | — | |
| | E.B6.10.1 | FUSELAGE , Front Portion (see page 503) ... | 1 | — | — | |
| | E.B6.45.27 | GEAR EMERGENCY RELEASE MECHANISM BOMB DOORS AND UNDERCARRIAGE Spares for:— | — | — | — | |
| | E.A1.45.815 | BRACKETS AND HANDLE AT FRAME 1 AND 2 Spares for:— | — | — | — | |
| 9002 | E.A1.45.1041 | BRACKET , bottom frame ... | 1 | — | C | |
| 9003 | E.A2.45.201 | BRACKET , top frame ... | 1 | — | C | |
| 9001 | E.A1.45.831 | BRACKET , bottom frame 2 ... | 1 | — | C | |
| 9000 | E.A1.45.829 | BRACKET , top frame 2 ... | 1 | — | C | |
| | | Attaching parts for EA1.45.1041, EA2.45.201 EA1.45.831 and EA1.45.829:— | | | | |
| 28D/9436920 | A25/1C | Bolt, 2 BA ... | 3 | — | C | |
| 28M/1278190 | AGS.2001/C/1 | Nut, 2 BA ... | 3 | — | C | |
| 28W/9419475 | SP.15/C | Washer ... | 3 | — | C | |

FUSELAGE
NOSE PORTION

| Ref. No. | Part No. | Description | No. off | Mtl. Spec. | Cl. of Equip. | Plate No. |
|-------------|------------------|--|---------|------------|---------------|-----------|
| | | | | | M.R. L.M. | |
| | | 1 2 3 4 5 6 | | | | |
| 9004 | E.A3.45.291 | HANDLE , centre | 1 | — | C | |
| | | Attaching parts for EA3.45.291:— | | | | |
| 28D/9436920 | A25/1C | Bolt, 2 BA | 4 | — | C | |
| 28W/9419475 | SP.15/C | Washer | 4 | — | C | |
| 28R/13491 | AS.107 | PULLEY , shrouded | 2 | — | B | |
| | | Attaching parts for AS.107:— | | | | |
| 28D/1010031 | A25/8E | Bolt, 1/2" BSF | 1 | — | C | |
| 28M/1201610 | AGS.2001/E/1 | Nut, 1/2" BSF | 1 | — | C | |
| 28W/9419487 | SP.16/E | Washer | 1 | — | C | |
| | E.A1.45.813 | BRACKETS AND LEVER AT FRAME 4 | — | — | — | |
| | | Spares for:— | | | | |
| 4139 | E.A1.45.875 | BRACKET , bottom inboard | 1 | — | C | |
| 4140 | E.A1.45.877 | BRACKET , bottom outboard | 1 | — | C | |
| 4138 | E.A1.45.871 | BRACKET , top inboard | 1 | — | C | |
| 16287 | E.A1.45.873 | BRACKET , top outboard | 1 | — | C | |
| | | Attaching parts for EA1.45.875, EA1.45.877, EA1.45.871 and EA1.45.873:— | | | | |
| 28D/1007975 | AS.1242/1C | Bolt, 2 BA (As required) | 1 | — | C | |
| 28D/9436920 | A25/1C | Bolt, 2 BA (As required) | 11 | — | C | |
| 28M/1278190 | AGS.2001/C/1 | Nut, 2 BA (As required) | 12 | — | C | |
| 28W/9419475 | SP.15/C | Washer | 12 | — | C | |
| 9006 | E.A1.45.883 | FAIRLEAD | 1 | — | C | |
| | | Attaching parts for EA1.45.883:— | | | | |
| 28D/7002428 | A25/6C | Bolt, 2 BA | 2 | — | C | |
| 28M/1278190 | AGS.2001/C/1 | Nut, 2 BA | 2 | — | C | |
| 8998 | E.A3.45.295 | LEVER , assembly | 1 | — | C | |
| | | Attaching parts for EA3.45.295:— | | | | |
| 28D/1011238 | A25/3E | Bolt, 1/2" BSF | 1 | — | C | |
| 28M/1201610 | AGS.2001/E/1 | Nut, 1/2" BSF | 1 | — | C | |
| 28W/9419487 | SP.16/E | Washer | 1 | — | C | |
| | EEAS.15/75/150ER | PLATE , link, lower | 2 | — | — | |
| 9021 | E.A1.45.909 | PLATE , link upper | 2 | — | C | |
| | | Attaching parts for EA1.45.909:— | | | | |
| 28N/1045680 | AGS.899/2 | Collar | 1 | — | C | |
| 28P/840 | SP.4Y/B14 | Pin | 1 | — | C | |
| 9022 | E.A1.45.1317 | Tube, distance | 2 | — | C | |
| 28R/13491 | AS.107 | PULLEY , shrouded | 2 | — | B | |
| | | Attaching parts for AS.107:— | | | | |
| 28D/1010031 | A25/8E | Bolt, 1/2" BSF (As required) | 1 | — | C | |
| 28D/1011244 | A25/9E | Bolt, 1/2" BSF (As required) | 1 | — | C | |
| 28M/1201610 | AGS.2001/E/1 | Nut, 1/2" BSF | 1 | — | C | |
| 28W/9419487 | SP.16/E | Washer | 1 | — | C | |

**FUSELAGE
NOSE PORTION**

| Ref. No. | Part No. | Description | No. off | Matl. Spec. | Cl. of Equip. | | Plate No. |
|--------------|--------------|--|---------|-------------|---------------|------|-----------|
| | | | | | M.R. | L.M. | |
| | | 1 2 3 4 5 6 | | | | | |
| 6481 | E.A3.45.275 | CABLES, BOMB DOOR AND UNDERCARRIAGE ASSEMBLY | 1 | — | | B | |
| | | Spares for:— | | | | | |
| 28N/2001687 | E.A2.45.413 | BARREL , pressure seal | 1 | — | | — | |
| | AGS.2030/147 | CIRCLIP , internal ½" bore | 1 | — | | C | |
| 28U/4063 | E.A1.45.1129 | ROLLER , aft end, bomb door | 1 | — | | — | |
| | SP.8/Y13 | ROLLER | 3 | — | | C | |
| | E.A1.45.889 | WASHER , felt pressure seal | 7 | — | | — | |
| | E.A1.45.891 | WASHER , retaining pressure seal | 1 | — | | — | |
| 28X/ 28X/ | E.A3.45.275A | WIRE , flexible steel bomb door | 1 | 6W2/4 | | — | |
| | E.A3.45.275B | WIRE , flexible steel undercarriage | 1 | 6W2/4 | | — | |
| 9006 | E.A1.45.883 | FAIRLEAD , frame 3 | 1 | — | | C | |
| 9005 | E.A1.45.881 | FAIRLEAD , frame 5 to 11 | 8 | — | | C | |
| 6750 | E.A1.45.1121 | FAIRLEAD , frame 12 | 1 | — | | C | |
| | | Attaching parts for EA1.45.883, EA1.45.881 and EA1.45.1121:— | | | | | |
| 28D/1214299 | AS.1242/5B | Bolt, 4 BA | 2 | — | | C | |
| 28M/1278189 | AGS.2001/B/1 | Nut, 4 BA | 2 | — | | C | |
| 28S/9992521 | A33/B24 | Screw, 4 BA (E.A1.45.1121 only) | 2 | — | | C | |
| 28V/9419474 | SP.15/B | Washer | 2 | — | | C | |
| 9007 | E.A2.45.415 | WASHER-WEDGE , pressure bulkhead | 2 | — | | C | |
| | | Attaching parts for E.A2.45.415:— | | | | | |
| 28D/9140645 | A2S/10C | Bolt, 1 BA | 2 | — | | C | |
| 28M/1278190 | AGS.2001/C/1 | Nut, 2 BA | 2 | — | | C | |
| | E.B6.73.3 | HYDRAULIC , equipment in front fuselage (See page 1113) | — | — | | — | |
| | E.B6.17.1 | INSULATION, PRESSURE CABIN, ASSEMBLY | — | — | | — | |
| | | Spares for:— | | | | | |
| | E.A3.17.3 | BLANKET , between frames A and B (Make from Ref. 32B/1250460) | 1 | DTD.4140 | | LM | |
| | E.A3.17.5 | BLANKET , between frames A and 1 (Make from Ref. 32B/1250460) | 1 | DTD.4140 | | LM | |
| | E.A3.17.81 | BLANKET , between frames 1 and 2, port (Make from Ref. 32B/1250460) | 1 | DTD.4140 | | LM | |
| | E.A3.17.7 | BLANKET , between frames 1 and 2, upper forward, starboard (Make from Ref. 32B/1250460) | 1 | DTD.4140 | | LM | |
| | E.A3.17.77 | BLANKET , between frames 1 and 2, upper rear starboard (Make from Ref. 32B/1250460) | 1 | DTD.4140 | | LM | |
| | E.A3.17.69 | BLANKET , between frames 1 and 2, lower, starboard (Make from Ref. 32B/1250460) | 1 | DTD.4140 | | LM | |
| | E.A3.17.27 | BLANKET , between frames 2 and 3, upper, port (Make from Ref. 32B/1250460) | 1 | DTD.4140 | | LM | |
| | E.A3.17.79 | BLANKET , between frames 2 and 3, lower, port (Make from Ref. 32B/1250460) | 1 | DTD.4140 | | LM | |
| | E.A3.17.9 | BLANKET , between frames 2 and 3, upper, starboard (Make from Ref. 32B/1250460) | 1 | DTD.4140 | | LM | |
| | E.A3.17.11 | BLANKET , between frames 3 and 4, upper, port (Make from Ref. 32B/1250460) | 1 | DTD.4140 | | LM | |

**FUSELAGE
NOSE PORTION**

| Ref. No. | Part No. | Description | | | | | | No. off | Matl. Spec. | Cl. of Equip. | | Plate No. |
|------------|----------|-------------|---|---|---|---|---|---------|-------------|---------------|------|-----------|
| | | 1 | 2 | 3 | 4 | 5 | 6 | | | M.R. | L.M. | |
| E.A3.17.29 | | | | | | | | 1 | DTD.4140 | | LM | |
| | | | | | | | | | | | | |
| E.A3.17.93 | | | | | | | | 1 | DTD.4140 | | LM | |
| | | | | | | | | | | | | |
| E.A3.17.31 | | | | | | | | 1 | DTD.4140 | | LM | |
| | | | | | | | | | | | | |
| E.A3.17.13 | | | | | | | | 1 | DTD.4140 | | LM | |
| | | | | | | | | | | | | |
| E.A3.17.91 | | | | | | | | 1 | DTD.4140 | | LM | |
| | | | | | | | | | | | | |
| E.A3.17.71 | | | | | | | | 1 | DTD.4140 | | LM | |
| | | | | | | | | | | | | |
| E.A3.17.87 | | | | | | | | 1 | DTD.4140 | | LM | |
| | | | | | | | | | | | | |
| E.A3.17.85 | | | | | | | | 1 | DTD.4140 | | LM | |
| | | | | | | | | | | | | |
| E.A3.17.33 | | | | | | | | 1 | DTD.4140 | | LM | |
| | | | | | | | | | | | | |
| E.A3.17.83 | | | | | | | | 2 | DTD.4140 | | LM | |
| | | | | | | | | | | | | |
| E.A3.17.15 | | | | | | | | 1 | DTD.4140 | | LM | |
| | | | | | | | | | | | | |
| E.A3.17.43 | | | | | | | | 1 | DTD.4140 | | LM | |
| | | | | | | | | | | | | |
| E.A3.17.35 | | | | | | | | 1 | DTD.4140 | | LM | |
| | | | | | | | | | | | | |
| E.A3.17.63 | | | | | | | | 1 | DTD.4140 | | LM | |
| | | | | | | | | | | | | |
| E.A3.17.17 | | | | | | | | 2 | DTD.4140 | | LM | |
| | | | | | | | | | | | | |
| E.A3.17.61 | | | | | | | | 1 | DTD.4140 | | LM | |
| | | | | | | | | | | | | |
| E.A3.17.19 | | | | | | | | 1 | DTD.4140 | | LM | |
| | | | | | | | | | | | | |
| E.A3.17.89 | | | | | | | | 1 | DTD.4140 | | LM | |
| | | | | | | | | | | | | |
| E.A3.17.37 | | | | | | | | 1 | DTD.4140 | | LM | |
| | | | | | | | | | | | | |
| E.A3.17.21 | | | | | | | | 1 | DTD.4140 | | LM | |
| | | | | | | | | | | | | |
| E.A3.17.65 | | | | | | | | 1 | DTD.4140 | | LM | |
| | | | | | | | | | | | | |
| E.A3.17.67 | | | | | | | | 1 | DTD.4140 | | LM | |

**FUSELAGE
NOSE PORTION**

| Ref. No. | Part No. | Description | No. off | Matl. Spec. | Cl. of Equip. | Plate No. |
|-------------|--------------|---|---------|-------------|---------------|-----------|
| | | | | | M.R. L.M. | |
| | | 1 2 3 4 5 6 | | | | |
| | E.A3.17.39 | BLANKET, between frames 8 and 9, port ... (Make from Ref. 32B/1250460) | 1 | DTD.4140 | LM | |
| | E.A3.17.23 | BLANKET, between frames 8 and 9, starboard (Make from Ref. 32B/1250460) | 1 | DTD.4140 | LM | |
| | E.A3.17.41 | BLANKET, between frames 9 and 10, port ... (Make from Ref. 32B/1250460) | 1 | DTD.4140 | LM | |
| | E.A3.17.25 | BLANKET, between frames 9 and 10, starboard (Make from Ref. 32B/1250460) | 1 | DTD.4140 | LM | |
| 4661 | E.A1.17.35 | BRACKET, angle | 487 | — | C | |
| 4659 | E.A1.17.39 | CLIP, blanket to stringer, attachment | 760 | — | C | |
| | E.B6.17.3 | DOOR AND FLOOR INSULATION, ASSEMBLY | — | — | — | |
| | | Spares for:— | | | | |
| 9525 | E.B7.17.35 | PAD, insulation, door | 1 | — | C | |
| 9524 | E.B7.17.37 | PAD, insulation, door | 1 | — | C | |
| 9511 | E.B7.17.11 | PAD, insulation floor between frames 2 and 4 | 1 | — | C | |
| 9512 | E.B7.17.13 | PAD, insulation floor between frames 3 and 5 | 1 | — | C | |
| 9513 | E.B6.17.21 | PAD, insulation floor between frames 5 and 6, starboard, outer | 1 | — | C | |
| 9514 | E.B6.17.23 | PAD, insulation floor between frames 5 and 6, starboard, inner | 1 | — | C | |
| 9515 | E.B6.17.25 | PAD, insulation floor between frames 5 and 6, starboard, intermediate | 1 | — | C | |
| 9517 | E.B7.17.21 | PAD, insulation, navigator's floor | 1 | — | C | |
| 9523 | E.B7.17.23 | PAD, insulation, navigator's floor | 1 | — | C | |
| 20633 | E.B7.17.25 | PAD, insulation, navigator's floor | 1 | — | C | |
| 9519 | E.B7.17.27 | PAD, insulation, navigator's floor | 1 | — | C | |
| 9522 | E.B7.17.29 | PAD, insulation, navigator's floor | 1 | — | C | |
| 9521 | E.B7.17.31 | PAD, insulation, navigator's floor | 1 | — | C | |
| 9520 | E.B7.17.33 | PAD, insulation, navigator's floor | 1 | — | C | |
| 4660 | E.A1.17.37 | SPRING, blanket to stringer, attachment | 620 | — | C | |
| 9509 | E.A3.17.73 | STRIP, kicking, assembly | 1 | — | C | |
| | E.A9.40.1 | NOSEWHEEL (See page 1347) (Mod. 1740) | 1 | — | — | |
| | E.B6.71.1 | OXYGEN, system (See page 1251) | — | — | — | |
| | E.B6.80.17 | PIPES, PITOT AND STATIC, INSTALLATION | — | — | — | |
| | | Spares for:— | | | | |
| 6D/114 | † | ADAPTOR, forward of pressure bulkhead union | 2 | — | C | F.14 |
| 16682 | E.A3.80.1665 | CLAMP, pipe, half | 8 | — | C | |
| | | Attaching parts for E.A3.80.1665 (Per Pair):— | | | | |
| 28D/1010029 | A25/6B | Bolt, 4 BA | 1 | — | C | |
| 28D/1009984 | A25/7B | Bolt, 4 BA | 1 | — | C | |
| 28M/1278189 | AGS.2001/B/1 | Nut, 4 BA | 2 | — | C | |
| 28W/9419474 | SP.15/B | Washer | 2 | — | C | |
| 2824 | E.A1.71.77 | CLIP, pipe | 1 | L.16 | C | |
| 1823 | EEAS.91/2 | CLIP, pipe, double | 19 | L.72 | C | |
| 2156 | EEAS.112/7 | CLIP, pipe, single | 16 | L.16 | C | |
| 8761 | EEAS.143/7H | CLIP, pipe | 7 | L.76 | C | |
| | | Attaching parts for Clips:— | | | | |
| 28D/1010658 | A25/1B | Bolt, 4 BA | 1 | — | C | |
| 28M/1278189 | AGS.2001/B/1 | Nut, 4 BA | 1 | — | C | |

FUSELAGE
NOSE PORTION

| Ref. No. | Part No. | Description | | | | | | No. off | Matl. Spec. | Cl. of Equip. | | Plate No. |
|-------------|------------------|-------------|---|---|---|---|---|---------|------------------------------------|---------------|------|-----------|
| | | 1 | 2 | 3 | 4 | 5 | 6 | | | M.R. | L.M. | |
| 28F/9475201 | AGS.852/BB | | | | | | | 2 | — | C | | |
| 28F/10525 | AGS.1107/C | | | | | | | 2 | — | C | | |
| 6A/3820 | † | | | | | | | 1 | — | B | F.14 | |
| 28S/9992524 | A32/A8 | | | | | | | 8 | — | C | | |
| | DUNLOP | | | | | | | | | | | |
| 37300 | A.H.O.32434/30-8 | | | | | | | 1 | — | C | F.13 | |
| | E.B6.80.5967 | | | | | | | 1 | Flex. Rubber | LM | | |
| | | | | | | | | | (Make from 32C/679) | | | |
| 4412 | E.A3.80.2375 | | | | | | | 1 | DTD.683 | C | F.14 | |
| | | | | | | | | | Attaching parts for E.A3.80.2375:— | | | |
| 13218 | E.A3.80.2901 | | | | | | | 1 | DTD.683 | C | F.14 | |
| 4415 | E.A3.80.2379 | | | | | | | 1 | Shore 70 | C | F.14 | |
| 4416 | E.A3.80.2381 | | | | | | | 2 | L.72 | C | F.14 | |
| 4417 | E.A3.80.2383 | | | | | | | 1 | Shore 70 | C | F.14 | |
| 4418 | E.A3.80.2391 | | | | | | | 1 | L.72 | C | F.14 | |
| 28F/1037653 | AGS.838/13 | | | | | | | 98 | DTD.423 | C | F.14 | |
| 3400 | E.A3.80.1649 | | | | | | | 8 | L.54 | C | F.14 | |
| 8640 | E.A3.80.1605 | | | | | | | 1 | L.54 | C | F.13 | |
| 8643 | E.A3.80.1615 | | | | | | | 1 | L.54 | C | F.13 | |
| 6430 | E.A3.80.1745 | | | | | | | 1 | L.54 | C | F.13 | |
| 6431 | E.A3.80.1749 | | | | | | | 1 | L.54 | C | F.13 | |
| 6428 | E.A3.80.2385 | | | | | | | 1 | L.54 | C | F.13 | |
| 6426 | E.A3.80.2389 | | | | | | | 1 | L.54 | C | F.13 | |
| 8755 | E.A3.80.2611 | | | | | | | 1 | L.54 | C | F.13 | |
| | E.A3.80.2613 | | | | | | | 1 | L.54 | — | F.13 | |
| 8757 | E.A3.80.2615 | | | | | | | 1 | L.54 | C | F.13 | |
| 16687 | E.A3.80.2751 | | | | | | | 1 | L.54 | C | F.13 | |
| 16718 | E.B6.80.125 | | | | | | | 1 | L.54 | C | F.13 | |
| 16720 | E.B6.80.129 | | | | | | | 1 | L.54 | C | F.13 | |
| | E.B6.80.247 | | | | | | | 1 | L.54 | LM | F.13 | |
| | E.B6.80.249 | | | | | | | 1 | L.54 | — | F.13 | |
| 26431 | E.B6.80.5783 | | | | | | | 1 | L.54 | LM | | |
| | E.B6.80.679 | | | | | | | 1 | L.54 | C | F.13 | |
| 26430 | E.B6.80.681 | | | | | | | 1 | L.54 | C | F.13 | |

**FUSELAGE
NOSE PORTION**

| Ref. No. | Part No. | Description | | | | | | No. off | Mati. Spec. | Cl. of Equip. M.R. L.M. | Plate No. |
|----------|--------------|--|---|---|---|---|---|---------|-------------|-------------------------------|-----------|
| | | 1 | 2 | 3 | 4 | 5 | 6 | | | | |
| 6437 | E.A3.80.1571 | PIPE, static, from starboard vent to tee piece at FB | | | | | | 1 | L.54 | C | F.13 |
| 6436 | E.A3.80.1573 | PIPE, static, from port vent to tee piece at FB | | | | | | 1 | L.54 | C | F.13 |
| | E.A3.80.1577 | PIPE, static, from tee piece at F1 to bomb sight computer line | | | | | | 1 | L.54 | — | F.13 |
| 16681 | E.A3.80.1583 | PIPE, static, from pilot's tee piece at F1/2 to coupling hose | | | | | | 1 | L.54 | C | F.13 |
| 7125 | E.A3.80.1603 | PIPE, static, from pressure bulkhead to coupling at F12 | | | | | | 1 | L.54 | C | F.13 |
| 1504 | E.A3.80.1629 | PIPE, assembly, static, connection for bomb sight computer, L.H. | | | | | | 1 | L.54 | C | |
| 1540 | E.A3.80.1630 | PIPE, assembly, static, connection for bomb sight computer, R.H. | | | | | | 1 | L.54 | C | |
| 8653 | E.A3.80.2603 | PIPE, static, from drain trap at F4 to navigator's tee piece at F5 | | | | | | 1 | L.54 | C | F.13 |
| | E.A3.80.2605 | PIPE, static, from altimeter tee piece to navigator's A.S.I. coupling hose | | | | | | 1 | L.54 | — | F.13 |
| | E.A3.80.2607 | PIPE, static, from tee piece to altimeter coupling hose | | | | | | 1 | L.54 | — | |
| 8754 | E.A3.80.2609 | PIPE, static, from navigator's tee piece to pressure bulkhead coupling | | | | | | 1 | L.54 | C | F.13 |
| 16686 | E.A3.80.2747 | PIPE, static, from pilot's tee piece at F1/2 to drain plug at F4 | | | | | | 1 | L.54 | C | F.13 |
| | E.A3.80.2749 | PIPE, static, from navigator's tee piece at F5 to altimeter tee piece | | | | | | 1 | L.54 | — | F.13 |
| 16717 | E.B6.80.123 | PIPE, static, from drain trap to pilot's tee piece F1/2 | | | | | | 1 | L.54 | C | F.13 |
| 16719 | E.B6.80.127 | PIPE, static, from tee piece at F1 to drain trap | | | | | | 1 | L.54 | C | F.13 |
| | E.B6.80.163 | PIPE, static, from altimeter to machmeter (Pre-Mod. 3402) (Pre-Mod. 3923) (B6 only) | | | | | | 1 | L.54 | — | F.13 |
| | E.A4.80.1383 | PIPE, static, to hose from altimeter to machmeter (Mod. 3923) | | | | | | 2 | — | LM | |
| | E.B6.80.5797 | PIPE, static (Mod. 3402) (B(1) M6 only) ... | | | | | | 1 | L.54 | LM | |
| | E.B6.80.165 | PIPE, static, from pilot's A.S.I. to rate of climb indicator (Pre-Mod. 3402) (B6 only) | | | | | | 1 | L.54 | — | F.13 |
| | E.B6.80.5785 | PIPE, static (Mod. 3402) (B(1)6 only) ... | | | | | | 1 | L.54 | LM | |
| | E.B6.80.251 | PIPE, static, from tee piece to pilot's altimeter (Pre-Mod. 3923) | | | | | | 1 | L.54 | — | F.13 |
| | E.B6.80.5995 | PIPE, static, from tee piece to pilot's altimeter (Mod. 3923) | | | | | | 1 | — | LM | |
| | E.B6.80.253 | PIPE, static, from tee piece to pilot's A.S.I. (Pre-Mod. 3402) (B6 only) | | | | | | 1 | L.54 | — | F.13 |
| | E.B6.80.5787 | PIPE, static (Mod. 3402) (B(1)6 only) ... | | | | | | 1 | — | LM | |
| 26433 | E.B6.80.675 | PIPE, static, from drain trap to Zero reader computer coupling hose (Mod. 1447) | | | | | | 1 | L.54 | C | F.13 |
| 32530 | E.B6.80.953 | PIPE, static, from tee piece FB to tee piece at FA/1 (Mod. 1447) | | | | | | 1 | L.54 | C | F.13 |
| 32531 | E.B6.80.955 | PIPE, static, between tee pieces FA and F1 (Mod. 1447) | | | | | | 1 | L.54 | C | F.13 |

FUSELAGE
NOSE PORTION

| Ref. No. | Part No. | Description | No. off | Mtl. Spec. | Cl. of Equip. | Plate No. |
|-------------|---------------|--|---------|------------|---------------|-----------|
| | | | | | M.R. L.M. | |
| | E.B.80.4589 | PIPE, static, from tee piece FA1, to drain trap tee piece, Zero reader computer line (Mod. 1447) | 1 | L.54 | — | F.13 |
| 28F/1015879 | AGS.904/BB | SLEEVE, outer | 2 | — | C | |
| 26DK/5039 | EEAS.20/2CR | TAB, locking | 1 | — | C | |
| 4956 | E.A.3.80.1671 | TUBE, adaptor | 5 | L.54 | C | F.14 |
| | E.A.3.80.2839 | TUBE, rubber hose | 3 | — | — | F.13 |
| | E.B.6.80.519 | TUBE, rubber hose | 2 | — | — | F.13 |
| 28F/1046309 | AGS.838/3 | UNION, body, elbow | 8 | — | C | |
| 28F/1046307 | AGS.838/1 | UNION, body, straight | 5 | — | C | |
| 28F/1046308 | AGS.838/2 | UNION, body, tee | 21 | — | C | F.14 |
| 28F/1037653 | AGS.838/13 | UNION, nut | 98 | — | C | F.14 |
| 2087 | E.A.1.80.711 | UNION, pressure bulkhead | 2 | DTD.683 | C | F.14 |
| | | Attaching parts for E.A.1.80.711:— | | | | |
| 28D/1008149 | A25/2B | Bolt, 4 BA | 6 | — | C | |
| 28M/1278189 | AGS.2001/B/1 | Nut, 4 BA | 6 | — | C | |
| 2086 | E.A.1.80.713 | Ring, sealing | 2 | Neo-K-Tex | C | F.14 |
| 28W/9419465 | SP.13/B | Washer | 6 | — | C | |
| 28F/11492 | AGS.1115/3 | Washer, plate | 2 | — | C | F.14 |
| 3623 | E.A.3.80.1997 | VENT, STATIC, COMPLETE, ASSEMBLY | 2 | — | B | F.13 |
| | | Consisting of:— | | | | |
| 5047 | E.A.3.80.2001 | PACKING | 1 | — | C | F.14 |
| 6424 | E.A.3.80.2005 | PLATE, clamping | 1 | — | C | F.14 |
| 5051 | E.A.3.80.2003 | SEAL | 1 | — | C | F.14 |
| 6423 | E.A.3.80.1999 | VENT, static | 1 | — | C | F.14 |
| | | Attaching parts for E.A.3.80.1997:— | | | | |
| 28M/10274 | AGS.2001/B/4 | Nut, 4 BA | 4 | — | C | |
| 28W/9475793 | AGS.1582/C | Washer | 4 | — | C | |
| 13141 | EEAS.21/2DO | WASHER, "D" | 1 | L.59 | C | |
| 8760 | EEAS.21/4ERH | WASHER, "D" | 2 | — | C | |
| | E.B.6.80.1 | PRESSURE cabin equipment (See page 415) | — | — | — | |
| | E.B.6.82.5 | RADIO, and intercomm., assembly (See page 875) | — | — | — | |
| | E.B.6.10.335 | TUNNEL, BOMB AIMER'S, ASSEMBLY (MOD. 1447) | — | — | — | |
| | | Spares for:— | | | | |
| 6204 | E.A.3.10.2311 | COVER, pump and hydraulic | 1 | — | C | |
| | E.A.3.10.2847 | PLATFORM, BOMB AIMER'S, CHEST AND CUSHION, ASSEMBLY | — | — | — | |
| | | Consisting of:— | | | | |
| 8831 | E.A.3.10.2853 | CUSHION | 1 | — | B | |
| 26429 | E.B.6.10.329 | PLATFORM, BOMB AIMER'S, ASSEMBLY | — | — | B | |
| | | Spares for:— | | | | |
| 2469 | E.A.3.71.307 | BRACKET, OXYGEN BOTTLE SUPPORT, ASSEMBLY | 1 | — | C | S.7 |
| | | Spares for:— | | | | |
| 1833 | E.A.3.71.313 | BAND, wire, 16 SWG | 1 | Steel Wire | C | S.7 |
| 1865 | E.A.3.71.315 | BAND, wire, 16 SWG, c/w clip | 1 | Steel Wire | C | S.7 |
| 28E/9998659 | AS.2295/2 | CLIP, spring | 1 | — | C | |
| 28E/1007022 | AS.2295/3 | CLIP, spring | 1 | — | C | |
| 32528 | E.B.6.10.319 | SPIGOT | 1 | S.92 | C | |
| 32529 | E.B.6.10.320 | SPIGOT | 1 | S.92 | C | |

| Ref. No. | Part No. | 1 | 2 | 3 | 4 | 5 | 6 | Description | No. off | Matl. Spec. | Cl. of Equip. | Plate No. |
|----------|----------|---|---|---|---|---|---|-------------|---------|-------------|---------------|-----------|
| | | | | | | | | | | | M.R. L.M. | |
| | | | | | | | | | | | | |

AC24 537

Pages 531 to 540 not issued

76 20 ~~535~~

FUSELAGE
NOSE PORTION

| Ref. No. | Part No. | Description | | | | | | No. off | Matl. Spec. | Cl. of Equip. | Plate No. |
|---|--------------|---|-----|-----|-----|-----|-----|---------|-------------|---------------|-----------|
| | | 1 | 2 | 3 | 4 | 5 | 6 | | | M.R. L.M. | |
| SUMMARY OF STOCK ITEMS USED ON NOSE FUSELAGE | | | | | | | | | | | |
| 28D/1010065 | A25/1B | Bolt, 4-BA, hex. head, "5 long | ... | ... | ... | ... | ... | | | C | |
| 28D/1008149 | A25/2B | Bolt, 4-BA, hex. head, "6 long | ... | ... | ... | ... | ... | | | C | |
| 28D/1010029 | A25/6B | Bolt, 4-BA | ... | ... | ... | ... | ... | | | C | |
| 28D/1009984 | A25/7B | Bolt, 4-BA | ... | ... | ... | ... | ... | | | C | |
| 28D/9140639 | A25/11B | Bolt, 4-BA, hex. head, 1"5 long | ... | ... | ... | ... | ... | | | C | |
| 28D/9436920 | A25/1C | Bolt, 2-BA | ... | ... | ... | ... | ... | | | C | |
| 28D/7002428 | A25/6C | Bolt, 2-BA | ... | ... | ... | ... | ... | | | C | |
| 28D/9140645 | A25/10C | Bolt, 2-BA | ... | ... | ... | ... | ... | | | C | |
| 28D/1011238 | A25/3E | Bolt, 1/4" BSF | ... | ... | ... | ... | ... | | | C | |
| 28D/1010031 | A25/8E | Bolt, 1/4" BSF | ... | ... | ... | ... | ... | | | C | |
| 28D/1011244 | A25/9E | Bolt, 1/4" BSF | ... | ... | ... | ... | ... | | | C | |
| 28D/1214299 | AS.1242/5B | Bolt, 4-BA | ... | ... | ... | ... | ... | | | C | |
| 28D/1007975 | AS.1242/1C | Bolt, 2-BA | ... | ... | ... | ... | ... | | | C | |
| 28F/11492 | AGS.1115/3 | Plate, washer | ... | ... | ... | ... | ... | | | C | |
| 28M/10286 | AGS.2001/A/1 | Nut, stiff, 6-BA | ... | ... | ... | ... | ... | | | C | |
| 28M/1278189 | AGS.2001/B/1 | Nut, 4-BA | ... | ... | ... | ... | ... | | | C | |
| 28M/1278190 | AGS.2001/C/1 | Nut, 2-BA | ... | ... | ... | ... | ... | | | C | |
| 28M/1201610 | AGS.2001/E/1 | Nut, 1/4" BSF | ... | ... | ... | ... | ... | | | C | |
| 28M/1086618 | AGS.2002/B/1 | Nut, stiff, 4-BA | ... | ... | ... | ... | ... | | | C | |
| 28S/9992524 | A32/A8 | Screw, 6-BA | ... | ... | ... | ... | ... | | | C | |
| 28S/9995325 | A33/B8 | Screw, 4-BA, c'sk. head, 1/2" long | ... | ... | ... | ... | ... | | | C | |
| 28S/9992521 | A33/B24 | Screw, 4-BA | ... | ... | ... | ... | ... | | | C | |
| 28S/9473782 | A36/B8 | Screw, 4-BA, round head, 1/2" long | ... | ... | ... | ... | ... | | | C | |
| 28S/1213916 | A38/A6 | Screw, 6-BA, raised c'sk. head, 3/8" long | ... | ... | ... | ... | ... | | | C | |
| 28W/9419465 | SP.13/B | Washer, 4-BA, plain | ... | ... | ... | ... | ... | | | C | |
| 28W/9419474 | SP.15/B | Washer, 4-BA, plain | ... | ... | ... | ... | ... | | | C | |
| 28W/9419475 | SP.15/C | Washer, 2-BA, plain | ... | ... | ... | ... | ... | | | C | |
| 28W/9419487 | SP.16/E | Washer | ... | ... | ... | ... | ... | | | C | |
| 28W/9475793 | AGS.1582/C | Washer, 4-BA | ... | ... | ... | ... | ... | | | C | |

| Ref. No. | Part No. | 1 | 2 | 3 | 4 | 5 | 6 | Description | No. off | Matl. Spec. | Cl. of Equip. | Plate No. |
|----------|----------|---|---|---|---|---|---|-------------|---------|-------------|---------------|-----------|
| | | | | | | | | | | | M.R. | |
| | | | | | | | | | | | | |

**FUSELAGE
REAR PORTION**

| Ref. No. | Part No. | Description | No. off | Matl. Spec. | Cl. of Equip. | | Plate No. |
|--------------|--------------|--|---------|-------------|---------------|------|-----------|
| | | | | | M.R. | L.M. | |
| | E.B6.21.1 | FUSELAGE, REAR, ASSEMBLY | — | — | — | — | |
| 2955 | E.A1.12.499 | Spares for:— BUMPER, TAIL, GROUP | 1 | — | — | C | |
| 322 | E.A1.12.501 | Spares for:— PAD , bumper, rubber | 1 | — | — | C | |
| 21435 | E.A1.12.367 | FAIRING , tailplane, sealing, port | 1 | — | — | C/MR | |
| 21436 | E.A1.12.368 | FAIRING , tailplane, sealing, starboard | 1 | — | — | C/MR | |
| 13250 | E.A3.12.45 | FIN , dorsal | 1 | — | — | B/MR | |
| | E.A1.12.257 | FIN, STUB, COMPLETE, ASSEMBLY | 1 | — | — | MR | |
| 21442 | E.A1.12.1615 | Spares for:— COVER , starboard only | 1 | L.73 | — | C | |
| 23009 | E.A1.12.117 | LUG, FIN, ATTACHMENT, PORT, ASSEMBLY | 1 | — | — | C/MR | |
| 323 | E.A1.12.127 | Spares for:— BUSH | 1 | S.11 | — | C | |
| 21342 | E.A1.12.119 | LUG, FIN, ATTACHMENT, STARBOARD, ASSEMBLY | 1 | — | — | C/MR | |
| 324 | E.A1.12.125 | Spares for:— BUSH | 1 | S.11 | — | C | |
| | E.B6.12.9 | STRUCTURE, FUSELAGE, REAR, C/W SKIN, ASSEMBLY | — | — | — | — | |
| 3079 | E.A3.12.91 | Spares for:— DOOR, ACCESS, REAR FUSELAGE, EQUIPMENT, ASSEMBLY | 1 | — | — | B | |
| 5875 | E.A1.12.363 | Spares for:— FASTENER | 12 | — | — | C | |
| | E.A1.12.361 | FASTENER (Make from Fairey FS.400, Ref. 7137) | 5 | — | — | LM | |
| 4663 | E.A1.12.917 | PANEL , detachable | 1 | L.72 | — | C | |
| 4662 | E.A1.12.919 | PANEL , detachable | 1 | L.72 | — | C | |
| | E.A3.90.73 | INSTALLATION, OF A.R.I.5610 | — | — | — | — | |
| 3221 | E.A3.81.1087 | Spares for:— SCREW , grub | 1 | — | — | C | |
| 285/9710019 | A55/A2 | | | | | | |
| 4536 | E.A3.90.127 | TUBE , probe, assembly | 1 | — | — | C | |
| 1466 | E.A1.12.1201 | NUT , special, lifting gear, attachment | 1 | DTD.683 | — | C | |
| 1467 | E.A1.12.1203 | PACKING , lifting gear, special nut | 1 | L.59 | — | C | |
| 28FP/9482442 | AVDELA.419 | PIN , 'pig' | 1 | — | — | C | |
| | † | RING , split, 1/2" i/d. | 2 | Brass | — | — | |
| 17756 | E.A3.12.59 | STRAP , retaining | 1 | — | — | C | |
| | E.B6.12.7 | STRUCTURE, FUSELAGE (LESS SKIN) ASSEMBLY | — | — | — | MR | |
| 4949 | E.A1.12.93 | Spares for:— FITTING , end, longeron, rear transport, joint, port | 1 | DTD.683 | — | C | |
| 8954 | E.A1.12.94 | FITTING , end, longeron, rear transport, joint, starboard | 1 | DTD.683 | — | C | |
| 4948 | E.A1.12.95 | FITTING , end, longeron, rear transport, joint, port | 1 | DTD.683 | — | C | |
| 8955 | E.A1.12.96 | FITTING , end, longeron, rear transport, joint, starboard | 1 | DTD.683 | — | C | |
| 9817 | E.A1.12.51 | FRAME , No. 40 | 1 | — | — | B/MR | |
| 9818 | E.A1.12.53 | FRAME , No. 41 | 1 | — | — | B/MR | |

**FUSELAGE
REAR PORTION**

| Ref. No. | Part No. | Description | | | | | | No. off | Matl. Spec. | Cl. of Equip. | | Plate No. |
|----------|-------------|---|---|---|---|---|---|---------|-------------|---------------|------|-----------|
| | | 1 | 2 | 3 | 4 | 5 | 6 | | | M.R. | L.M. | |
| 9819 | E.A1.12.55 | FRAME, NO. 42, TAILPLANE, HINGE, ASSEMBLY | | | | | | 1 | — | MR | | |
| | | Spares for:— | | | | | | | | | | |
| 4616 | E.A3.12.163 | BRACKET, HINGE FITTING, TAILPLANE, PORT, ASSEMBLY (MOD. 509) | | | | | | 1 | — | B | | |
| | | Spares for:— | | | | | | | | | | |
| 5867 | E.A3.12.267 | BUSH | | | | | | 1 | S.11 | C | | |
| 38718 | E.A3.03.237 | BUSH, oversize, special, repair | | | | | | 1 | S.92 | C | | |
| 4617 | E.A3.12.164 | BRACKET, HINGE FITTING, TAILPLANE STARBOARD, ASSEMBLY (MOD. 509) | | | | | | 1 | — | B | | |
| | | Spares for:— | | | | | | | | | | |
| 5868 | E.A3.12.265 | BUSH | | | | | | 1 | S.99 | C | | |
| 38717 | E.A3.03.235 | BUSH, oversize, special, repair | | | | | | 1 | S.92 | C | | |
| | E.A1.12.441 | BRACKET, picketing | | | | | | 1 | — | — | | |
| 31506 | E.A1.12.229 | CLEAT, tee, forward, frame 12, stringer, attachment | | | | | | 1 | DTD.683 | C/MR | | |
| 33068 | E.A1.12.231 | CLEAT, tee, aft, frame 42, fin root rib boom, attachment, port | | | | | | 1 | DTD.683 | C/MR | | |
| 33069 | E.A1.12.232 | CLEAT, tee, aft, frame 42, fin root rib boom, attachment, starboard | | | | | | 1 | DTD.683 | C/MR | | |
| 43165 | E.A1.12.121 | TEE-MEMBER, frame 42, port | | | | | | 1 | — | C | | |
| 42540 | E.A1.12.122 | TEE-MEMBER, frame 42, starboard | | | | | | 1 | — | C | | |
| 9839 | E.A1.12.165 | MEMBER, STRUT, ATTACHMENT, FRAME 42, ASSEMBLY | | | | | | 1 | — | — | | |
| | | Spares for:— | | | | | | | | | | |
| 9840 | E.A1.12.123 | BUSH, strut, attachment, bolt | | | | | | 1 | — | C | | |
| 9841 | E.A1.12.167 | BUSH, J/P, actuator bolt | | | | | | 1 | — | C | | |
| 6975 | E.A2.12.267 | PLUG, c/w attachments blanking for picketing point, at frame 42 | | | | | | 1 | — | C | | |
| 6254 | E.A1.12.391 | WASHER, tapered | | | | | | 8 | L.72 | C | | |
| | E.A1.12.593 | STRUT, BRACING, TAIL CONE AND STUB, ASSEMBLY (PRE-MOD. 1170) | | | | | | 1 | — | MR | | |
| | | Spares for:— | | | | | | | | | | |
| 7215 | E.A1.12.141 | BOLT, special | | | | | | 2 | S.11 | C/MR | | |
| | E.A1.12.595 | FORK-END PICK-UP BRACING STAY, ASSEMBLY | | | | | | 2 | — | — | | |
| | | Spares for:— | | | | | | | | | | |
| 9714 | E.A1.12.139 | BUSH | | | | | | 2 | S.11 | C/MR | | |
| 1097 | EEAS.37/16A | NIPPLE, 2 BA | | | | | | 8 | S.11 | C | | |
| 1099 | EEAS.37/22A | NIPPLE, 2 BA | | | | | | 8 | S.11 | C | | |
| | EEAS.38/3A | SPOKE, 2 BA (Make from Ref. 28R/6328) | | | | | | 8 | S.11 | LM | | |
| 7180 | E.A3.12.273 | STRUT, BRACING, TAIL CONE AND STUB, ASSEMBLY (MOD. 1170) | | | | | | 1 | — | A/MR | | |
| | | Spares for this assembly are identical with those for assembly Part No. E.A1.12.593:— | | | | | | | | | | |
| | E.B6.12.11 | STUB, RUDDER, ASSEMBLY (PRE-MOD. 1277) ... | | | | | | — | — | — | | |
| | | Spares for:— | | | | | | | | | | |
| 5188 | E.A3.12.213 | BOLT, special, rudder buffer stop bracket mounting | | | | | | 8 | S.96 | C | | |
| 5189 | E.A3.12.215 | BOLT, special, rudder buffer stop bracket mounting | | | | | | 2 | S.96 | C | | |
| 5190 | E.A3.12.217 | BOLT, special, rudder buffer stop bracket mounting | | | | | | 2 | S.96 | C | | |
| 5191 | E.A3.12.219 | BOLT, special, rudder buffer stop bracket mounting | | | | | | 2 | S.96 | C | | |

**FUSELAGE
REAR PORTION**

| Ref. No. | Part No. | Description | | | | | | No. Off | Matl. Spec. | Cl. of Equip. M.R. L.M. | Plate No. |
|-------------|----------------------------------|--|---|---|---|---|---|---------|----------------|-------------------------------|-----------|
| | | 1 | 2 | 3 | 4 | 5 | 6 | | | | |
| 5175 | E.A3.12.227 | BRACKET, RUDDER STOP, L.H., ASSEMBLY ... | | | | | | 1 | — | C | |
| | | Spares for:— | | | | | | | | | |
| 5187 | E.A3.12.225 | BUFFER, rubber ... | | | | | | 1 | Natural Rubber | C | |
| 5176 | E.A3.12.228 | BRACKET, RUDDER STOP, R.H., ASSEMBLY ... | | | | | | 1 | — | C | |
| | | Spares for:— | | | | | | | | | |
| 5187 | E.A3.12.225 | BUFFER, rubber ... | | | | | | 1 | Natural Rubber | C | |
| 10813 | E.A1.12.1427 E.A3.33.297 | COVER, access ... | | | | | | 1 | L.72 | C | |
| | | REINFORCEMENT OF RUDDER BOTTOM BEARING HOUSING (MOD. 4707) | | | | | | — | — | — | |
| | | Spares for:— | | | | | | | | | |
| | E.A3.33.299 | PLATE, BEARING, SPLIT | | | | | | 1 | — | — | |
| | | Spares for:— | | | | | | | | | |
| | E.A3.33.301 | PLATE, bearing, half ... | | | | | | 2 | L.73 | — | |
| 17761 | E.B7.12.21 | RIB, RUDDER STUB, LOWER, ASSEMBLY ... | | | | | | 1 | — | C | |
| | | Spares for:— | | | | | | | | | |
| 9722 | E.A1.12.873 | STRIP, sealing ... | | | | | | 2 | Rubber | C | |
| 10875 | E.A1.12.283 | RIB, RUDDER STUB, UPPER, ASSEMBLY ... | | | | | | 1 | — | B | |
| | | Spares for:— | | | | | | | | | |
| 20832 | E.A1.12.207 | HINGE, RUDDER, BOTTOM, ASSEMBLY ... | | | | | | 1 | — | B/MR | |
| | | Consisting of:— | | | | | | | | | |
| | RANSOME & MARLES | | | | | | | | | | |
| 2A/9501300 | MJ ⁷ / ₈ " | BALLRACE ... | | | | | | 1 | — | C | |
| 5823 | E.A1.12.205 | BRACKET, rudder hinge ... | | | | | | 1 | L.45 | C | |
| 28N/2001695 | AGS.2030/89 | CIRCLIP ... | | | | | | 1 | — | C | |
| | E.A9.12.11 | STUB, RUDDER, ASSEMBLY (MOD.1277) ... | | | | | | — | — | — | |
| | | Spares for this assembly are identical with those for assembly Part No. E.B6.12.11 on page 544 | | | | | | | | | |
| | — | STUB, TAILPLANE, ASSEMBLY (REF. DRGS. E.A9.12.103/104, E.A9.30.7/8) | | | | | | — | — | — | |
| | | Spares for:— | | | | | | | | | |
| 24729 | E.A3.30.193 | PACKING, L.H. ... | | | | | | 1 | — | C | |
| 24730 | E.A3.30.194 | PACKING, R.H. ... | | | | | | 1 | — | C | |
| 24731 | E.A3.30.195 | PACKING, L.H. ... | | | | | | 1 | — | C | |
| 24732 | E.A3.30.196 | PACKING, R.H. ... | | | | | | 1 | — | C | |
| 24733 | E.A3.30.197 | PACKING, L.H. ... | | | | | | 1 | — | C | |
| 24734 | E.A3.30.198 | PACKING, R.H. ... | | | | | | 1 | — | C | |
| 34401 | E.A9.30.37 | PLATE, roller, L.H., assembly ... | | | | | | 1 | — | C | |
| 34402 | E.A9.30.38 | PLATE, roller, R.H., assembly ... | | | | | | 1 | — | C | |
| 34403 | E.A3.30.175 | PLATE, roller, L.H., assembly (Pre-Mod. 2594) ... | | | | | | 1 | — | C | |
| 34404 | E.A3.30.176 | PLATE, roller, R.H., assembly (Pre-Mod. 2594) ... | | | | | | 1 | — | C | |
| 24725 | E.A3.30.187 | STRIP, reinforcing (Make from Ref. 30B/1728) ... | | | | | | 1 | — | C | |
| 24726 | E.A3.30.188 | STRIP, reinforcing (Make from Ref. 30B/1728) ... | | | | | | 1 | — | C | |
| 6254 | E.A1.12.391 | WASHER, special, tapered ... | | | | | | 4 | L.72 | C | |

Restricted

| Ref. No. | Part No. | | | | | | | No. Off | Matl. Spec. | Cl. of Equip. M.R. L.M. | Plate No. |
|----------|----------|---|---|---|---|---|---|---------|-------------|-------------------------------|-----------|
| | | 1 | 2 | 3 | 4 | 5 | 6 | | | | |
| | | | | | | | | | | | |

Pages 547 to 556 not issued

FUSELAGE
REAR PORTION

| Ref. No. | Part No. | Description | | | | | | No. off | Matl. Spec. | Cl. of Equip. M.R. L.M. | Plate No. |
|---|--------------|-------------------|--------------------|---|---|---|---|---------|-------------|-------------------------|-----------|
| | | 1 | 2 | 3 | 4 | 5 | 6 | | | | |
| SUMMARY OF STOCK ITEMS USED ON REAR FUSELAGE, ASSEMBLY | | | | | | | | | | | |
| 28D/9436920 | A25/1C | Bolt, 2 | BA | | | | | | | C | |
| 28D/9133011 | A25/2C | Bolt, 2 | BA | | | | | | | C | |
| 28D/1200119 | A25/4C | Bolt, 2 | BA | | | | | | | C | |
| 28D/9130013 | A25/5C | Bolt, 2 | BA | | | | | | | C | |
| 28D/9419397 | A25/12C | Bolt, 2 | BA | | | | | | | C | |
| 28D/1008151 | A25/4E | Bolt, 1/4" | BSF | | | | | | | C | |
| 28D/1011240 | A25/5E | Bolt, 1/4" | BSF | | | | | | | C | |
| 28D/1011242 | A25/7E | Bolt, 1/4" | BSF | | | | | | | C | |
| 28D/1011245 | A25/10E | Bolt, 1/4" | BSF | | | | | | | C | |
| 28D/1011258 | A25/8G | Bolt, 3/8" | BSF | | | | | | | C | |
| 28D/1006583 | A25/5J | Bolt, 3/8" | BSF | | | | | | | C | |
| 28D/1011299 | A25/6J | Bolt, 3/8" | BSF | | | | | | | C | |
| 28D/1011310 | A25/8L | Bolt, 3/8" | BSF | | | | | | | C | |
| 28D/1212691 | A25/14L | Bolt, 3/8" | BSF | | | | | | | C | |
| 28D/12101 | AGS571/404 | Bolt, shear, 1/4" | BSF | | | | | | | C | |
| 28D/11100 | AGS.571/405 | Bolt, shear, 1/4" | BSF | | | | | | | C | |
| 23D/12578 | AGS.571/506 | Bolt, shear, 3/8" | BSF | | | | | | | C | |
| 28D/1212132 | AGS.571/604 | Bolt, shear, 3/8" | BSF | | | | | | | C | |
| 28D/1212134 | AGS.571/605 | Bolt, shear, 3/8" | BSF | | | | | | | C | |
| 23D/1212139 | AGS.571/611 | Bolt, shear, 3/8" | BSF | | | | | | | C | |
| 28D/1212140 | AGS.571/612 | Bolt, shear, 3/8" | BSF | | | | | | | C | |
| 28D/1007976 | AS.1242/4C | Bolt, 2 | BA | | | | | | | C | |
| 28D/1212825 | AS.1242/4E | Bolt, 1/4" | BSF | | | | | | | C | |
| 28M/9403520 | A27/CP | Nut, 2 | BA | | | | | | | C | |
| 28M/1011475 | A27/EP | Nut, 1/4" | BSF | | | | | | | C | |
| 28M/1007403 | A27/ET | Nut, 1/4" | BSF | | | | | | | C | |
| 28M/1026939 | A27/GP | Nut, 3/8" | BSF | | | | | | | C | |
| 28M/1011470 | A27/GT | Nut, 3/8" | BSF | | | | | | | C | |
| 28M/1011473 | A27/JP | Nut, 3/8" | BSF | | | | | | | C | |
| 28M/1007404 | A27/JT | Nut, 3/8" | BSF | | | | | | | C | |
| 28M/13553 | A27/LP | Nut, 3/8" | BSF | | | | | | | C | |
| 28M/13259 | A27/NS | Nut, 1/4" | BSF | | | | | | | C | |
| 28M/7727 | AGS.572/E | Nut, 3/8" | BSF | | | | | | | C | |
| 28M/10287 | AGS.2001/B/1 | Nut, stiff, 4 | BA | | | | | | | C | |
| 28M/10288 | AGS.2001/C/1 | Nut, stiff, 2 | BA | | | | | | | C | |
| 28M/10290 | AGS.2001/E/1 | Nut, stiff, 1/4" | BSF | | | | | | | C | |
| 28M/9434253 | AGS.2007/B/1 | Nut, stiff, 4 | BA | | | | | | | C | |
| 28M/12099 | AGS.2007/B/3 | Nut, stiff, 4 | BA | | | | | | | C | |
| 28M/11957 | AGS.2007/C/1 | Nut, stiff, 2 | BA | | | | | | | C | |
| 28M/12050 | AGS.2007/C/3 | Nut, stiff, 2 | BA | | | | | | | C | |
| 28M/9435560 | AGS.2007/E/1 | Nut, stiff, 1/4" | BSF | | | | | | | C | |
| 28P/1007741 | SP.9/C8 | Pin, split, 1/8" | dia. x 1" long | | | | | | | C | |
| 28P/9429652 | SP.9/E10 | Pin, split, 3/32" | dia. x 1 1/2" long | | | | | | | C | |
| 28VV/9418921 | SP.13/E | Washer | | | | | | | | C | |
| 28VV/9419475 | SP.15/C | Washer | | | | | | | | C | |
| 28VV/9419405 | SP.15/E | Washer | | | | | | | | C | |
| 28VV/9419476 | SP.15/G | Washer | | | | | | | | C | |
| 28VV/9419477 | SP.15/J | Washer | | | | | | | | C | |

**FUSELAGE
REAR PORTION**

| Ref. No. | Part No. | | | | | | | Description | No. off | Matl. Spec. | Cl. of Equip. | Plate No. |
|-------------|----------|---|---|---|---|---|---|-------------|---------|-------------|---------------|-----------|
| | | 1 | 2 | 3 | 4 | 5 | 6 | | | | M.R. L.M. | |
| 28W/9419478 | SP.15/L | | | | | | | Washer | | | C | |
| 28W/9419479 | SP.15/N | | | | | | | Washer | | | C | |
| 28W/9419404 | SP.16/C | | | | | | | Washer | | | C | |
| 28W/9419488 | SP.16/G | | | | | | | Washer | | | C | |
| 28W/9419489 | SP.16/J | | | | | | | Washer | | | C | |
| 28W/9419490 | SP.16/L | | | | | | | Washer | | | C | |

**FUSELAGE
REAR FUSELAGE AND TAIL UNIT**

| Ref. No. | Part No. | Description | No. Off | Matl Spec. | Cl. of Equip. | Plate No. |
|----------|--------------|--|---------|---------------|---------------|-----------|
| | | | | | M.R. L.M. | |
| | | 1 2 3 4 5 6 | | | | |
| | E.B6.00.45 | REAR FUSELAGE AND TAIL UNIT, ASSEMBLY ... | - | - | - | |
| | | Spares for:— | | | | |
| | E.A1.00.63 | CONTROLS , to rudder and elevator attachment details (See page 782) | - | - | - | |
| | E.A3.45.385 | CONTROLS , flying, in rear fuselage (See page 151) | - | - | - | |
| | E.B6.81.11 | ELECTRICAL equipment in rear fuselage (See page 303) | - | - | - | |
| | E.A3.83.115 | EQUIPMENT, REAR FUSELAGE, ASSEMBLY (MOD. 2186) | - | - | - | |
| | | Spares for:— | | | | |
| | E.B6.80.791 | STOWAGE, SURVIVAL PACK, BETWEEN FRAMES 31B AND 33, PORT, ASSEMBLY | - | - | - | |
| | | Spares for:— | | | | |
| 27251 | E.B6.80.795 | CRATE AND STRAP, ASSEMBLY ... | 1 | - | MR | |
| | | Spares for:— | | | | |
| | E.B6.80.793 | CRATE, ASSEMBLY ... | 1 | - | - | |
| | | Spares for:— | | | | |
| 31027 | E.B8.80.3201 | NUT , knurled ... | 1 | L.64 | C | |
| 14714 | E.B8.80.1787 | FRAME , hinged ... | 1 | - | C | |
| 14710 | E.B8.80.1789 | STRAP , 1" wide ... | 2 | Comm. Webbing | C | |
| 14711 | E.B8.80.1791 | STRAP , 1" wide, c/w buckle ... | 2 | Comm. Webbing | C | |
| 14712 | E.B8.80.1795 | STRAP , 1" wide, c/w buckle ... | 1 | Comm. Webbing | C | |
| 14713 | E.B8.80.1797 | STRAP , 1" wide ... | 1 | Comm. Webbing | C | |
| | E.B8.80.1773 | STOWAGE, SURVIVAL PACK, BETWEEN FRAMES 36 AND 37, PORT, ASSEMBLY | - | - | - | |
| | | Spares for:— | | | | |
| 26495 | E.B8.80.1775 | CRATE AND STRAP, ASSEMBLY ... | 1 | - | MR | |
| | | Spares for:— | | | | |
| | E.B8.80.1783 | CRATE, ASSEMBLY ... | 1 | - | - | |
| | | Spares for:— | | | | |
| 31027 | E.B8.80.3201 | NUT , knurled ... | 1 | L.64 | C | |
| 14714 | E.B8.80.1787 | FRAME , hinged ... | 1 | - | C | |
| 14710 | E.B8.80.1789 | STRAP , 1" wide ... | 2 | Comm. Webbing | C | |
| 14711 | E.B8.80.1791 | STRAP , 1" wide, c/w buckle ... | 2 | Comm. Webbing | C | |
| 14712 | E.B8.80.1795 | STRAP , 1" wide, c/w buckle ... | 1 | Comm. Webbing | C | |
| 14713 | E.B8.80.1797 | STRAP , 1" wide, c/w buckle ... | 1 | Comm. Webbing | C | |
| | E.B8.80.1774 | STOWAGE, SURVIVAL PACK, BETWEEN FRAMES 36 AND 37, STARBOARD ASSEMBLY | - | - | - | |
| | | Spares for this assembly are identical with those for assembly Part No. E.B8.80.1773, except for the following deletions and additions | | | | |
| | | Delete:— | | | | |
| 26495 | E.B8.80.1775 | CRATE AND STRAP, ASSEMBLY ... | 1 | - | MR | |
| | | Add:— | | | | |
| 26496 | E.B8.80.1776 | CRATE AND STRAP, ASSEMBLY ... | 1 | - | MR | |
| | | Spares for this assembly are identical with those for assembly Part No. E.B8.80.1775 | | | | |

**FUSELAGE
REAR FUSELAGE AND TAIL UNIT**

| Ref. No. | Part No. | Description | | | | | | No. Off | Matl Spec. | Cl. of Equip. M.R. L.M. | Plate No. |
|-------------|---------------|---|---|---|---|---|---|---------|------------|-------------------------------|-----------|
| | | 1 | 2 | 3 | 4 | 5 | 6 | | | | |
| 12878 | E.A.2.12.45 | FAIRING, REAR, GROUP (MOD. 1280) | | | | | | 1 | — | A | |
| | | Spares for:— | | | | | | | | | |
| 12189 | E.A.2.12.293 | DOOR, ACCESS, FORWARD NAVIGATION LIGHT, GROUP | | | | | | 1 | — | B | |
| | | Spares for:— | | | | | | | | | |
| 12190 | E.A.2.12.309 | PACKING, rubber | | | | | | 2 | Linatex | C | |
| | E.A.2.12.311 | PACKING | | | | | | 1 | L.72 | LM | |
| 12191 | E.A.2.12.303 | WINDOW, perspex | | | | | | 1 | — | C | |
| 11019 | E.A.1.12.577 | PANEL, access, rear, port | | | | | | 1 | — | C | |
| 11020 | E.A.1.12.578 | PANEL, access, rear, starboard | | | | | | 1 | — | C | |
| 7209 | E.A.1.12.967 | PANEL, rear access, tailplane controls | | | | | | 1 | — | C | |
| 2994 | E.A.1.12.583 | RADOME, dummy | | | | | | 1 | — | B | |
| 2989 | E.A.1.32.1 | FIN, TAIL, GROUP (PRE-MOD. 3726) | | | | | | 1 | — | A | |
| | | (Supplied undrilled at base) | | | | | | | | | |
| 1439172 | E.A.3.00.1071 | FIN, TAIL, GROUP (MOD. 4478) (PRE-MOD. 4853) | | | | | | 1 | — | A | |
| | E.A.3.00.5375 | FIN, TAIL, GROUP (MOD. 4853) | | | | | | 1 | — | — | |
| | | Spares for:— | | | | | | | | | |
| 7214 | E.A.1.32.553 | PANEL, access, aerial plug | | | | | | 1 | — | C | |
| | | Attaching parts for E.A.1.32.553:— | | | | | | | | | |
| 28S/7002444 | A33/C14 | Screw, 1 BA | | | | | | 5 | — | C | |
| 7211 | E.A.1.32.579 | PANEL, access, attachment bolt, port | | | | | | 1 | — | C | |
| 7212 | E.A.1.32.580 | PANEL, access, attachment bolt, starboard | | | | | | 1 | — | C | |
| | | Attaching parts for E.A.1.32.579 and E.A.1.32.580:— | | | | | | | | | |
| 28D/1007975 | AS.1242/1C | Bolt, 2 BA | | | | | | 7 | — | C | |
| 7213 | E.A.1.32.663 | PANEL, access, nose | | | | | | 1 | — | C | |
| | | Attaching parts for E.A.1.32.663:— | | | | | | | | | |
| 28D/1007975 | AS.1242/1C | Bolt, 2 BA | | | | | | 6 | — | C | |
| 28D/1013172 | AS.1242/5C | Bolt, 2 BA | | | | | | 4 | — | C | |
| 3635 | E.A.1.32.767 | PANEL, rudder control tube and lever mass balance weight | | | | | | 1 | — | C | |
| 3634 | E.A.1.32.769 | PANEL, rudder tab actuator lever and actuator | | | | | | 1 | — | C | |
| | | Attaching parts for E.A.1.32.767 and E.A.1.32.769:— | | | | | | | | | |
| 28D/1214091 | AS.1242/2C | Bolt, 2 BA | | | | | | 11 | — | C | |
| | E.A.1.32.7 | STRUCTURE, FIN, GROUP | | | | | | 1 | — | — | |
| | | Spares for:— | | | | | | | | | |
| | E.A.1.32.13 | SPAR, FIN, ASSEMBLY | | | | | | 1 | — | — | |
| | | Spares for:— | | | | | | | | | |
| 37416 | E.A.1.32.207 | FITTING, SPAR ROOT, PORT, SUB-ASSEMBLY | | | | | | 1 | — | C/MR | |
| | | Consisting of:— | | | | | | | | | |
| 20688 | E.A.1.32.79 | BUSH, inboard | | | | | | 1 | S.96 | C/MR | |
| 20689 | E.A.1.32.81 | BUSH, outboard | | | | | | 1 | S.96 | C/MR | |
| | E.A.1.32.71 | FITTING | | | | | | 1 | — | — | |
| 37686 | E.A.1.32.209 | FITTING, SPAR ROOT, STARBOARD, SUB-ASSEMBLY | | | | | | 1 | — | C/MR | |
| | | Consisting of:— | | | | | | | | | |
| 20690 | E.A.1.32.83 | BUSH, inboard | | | | | | 1 | S.96 | C/MR | |
| 20691 | E.A.1.32.85 | BUSH, outboard | | | | | | 1 | S.96 | C/MR | |
| | E.A.1.32.73 | FITTING | | | | | | 1 | — | — | |

**FUSELAGE
REAR FUSELAGE AND TAIL UNIT**

| Ref. No. | Part No. | Description | No. Off | Matl Spec. | Cl. of Equip. | Plate No. |
|----------|----------------|---|---------|---------------|---------------|-----------|
| | | | | | M.R. L.M. | |
| | | 1 2 3 4 5 6 | | | | |
| 34086 | E.C1.32.2501 | FIN, TAIL ASSEMBLY (MOD. 3726) (Supplied undrilled at base) Spares for this assembly are identical with those for assembly Part No. E.A1.32.1 on page 560 | 1 | — | A | |
| | E.A1.00.55 | FIN , to fuselage, attachment details (See page 782) | — | — | — | |
| | E.B6.12.1 | FUSELAGE , rear (See page 543) | 1 | — | — | |
| | E.A3.83.143 | INSTALLATION OF ENGINE CARTRIDGE STOWAGE Spares for:— | — | — | — | |
| 10950 | E.A3.83.161 | ENGINE CARTRIDGE MOUNTING, ASSEMBLY Spares for:— | 1 | — | C/MR | |
| | E.A3.83.163 | BRACKET, CARTRIDGE MOUNTING, GROUP Spares for:— | 6 | — | — | |
| 2462 | E.A3.83.55 | BAND , wire | 1 | — | C | |
| 2461 | E.A3.83.53 | CLIP , assembly | 1 | — | C | |
| 3071 | E.A1.12.597 | PLATE , sealing, tailplane to fuselage forward, port | 1 | — | C/MR | |
| 3072 | E.A1.12.598 | PLATE , sealing, tailplane to fuselage, forward, starboard | 1 | — | C/MR | |
| 3073 | E.A1.12.599 | PLATE , sealing, tailplane to fuselage, aft, port ... | 1 | — | C/MR | |
| 3074 | E.A1.12.600 | PLATE , sealing, tailplane to fuselage, aft, starboard | 1 | — | C/MR | |
| | E.A1.00.59 | REAR , fairing to fuselage, attachment details (See page 782) | — | — | — | |
| | E.A1.00.57 | RUDDER , to fin and fuselage, attachment details (See page 782) | — | — | — | |
| 5173 | E.A3.33.1 | RUDDER , c/w tab (See page 1271) | 1 | — | A | |
| | E.B6.00.19 | TAILPLANE , and elevators (See page 1287) | — | — | — | |
| | E.B6.00.53 | TAILPLANE , to rear fuselage, attachment details (See page 781) | — | — | — | |
| | E.B7.57.293 | VENTING, FUEL, BETWEEN FRAME 30 AND FRAME 40, ASSEMBLY (MOD. 1728) Spares for:— | — | — | — | |
| | E.B7.57.315 | BRACKET , for vent pipe | 9 | L.59 | — | F.11 |
| | E.B7.57.317 | CLIP , for vent pipe | 9 | L.59 | — | F.11 |
| | EEAS.164/40/45 | HOSE , rubber, 2½" i/d. x 3" o/d. x 4½" long type 1 (Make from 32C/380) | 4 | DTD.625 | — | F.11 |
| 25542 | E.B7.57.305 | PIPE , vent, between frames 30 and 33 | 1 | L.56 | C | F.11 |
| 25543 | E.B7.57.307 | PIPE , vent, continuation | 1 | L.56 | C | F.11 |
| 25544 | E.B7.57.309 | PIPE , vent, continuation | 1 | L.56 | C | F.11 |
| 25545 | E.B7.57.311 | PIPE , vent, continuation | 1 | L.56 | C | F.11 |
| | E.G4.57.7 | VENT, FUEL OUTLET, ASSEMBLY (MOD. 4112) Spares for:— | — | — | — | |
| 25541 | E.B7.57.303 | GASKET | 1 | Neo-K- Tex | C | F.11 |
| 34533 | E.G4.57.5 | MASK , vent, outlet | 1 | — | C | |
| 1468 | EEAS.1/2-C | SCREW | 6 | S.96 | C | F.11 |

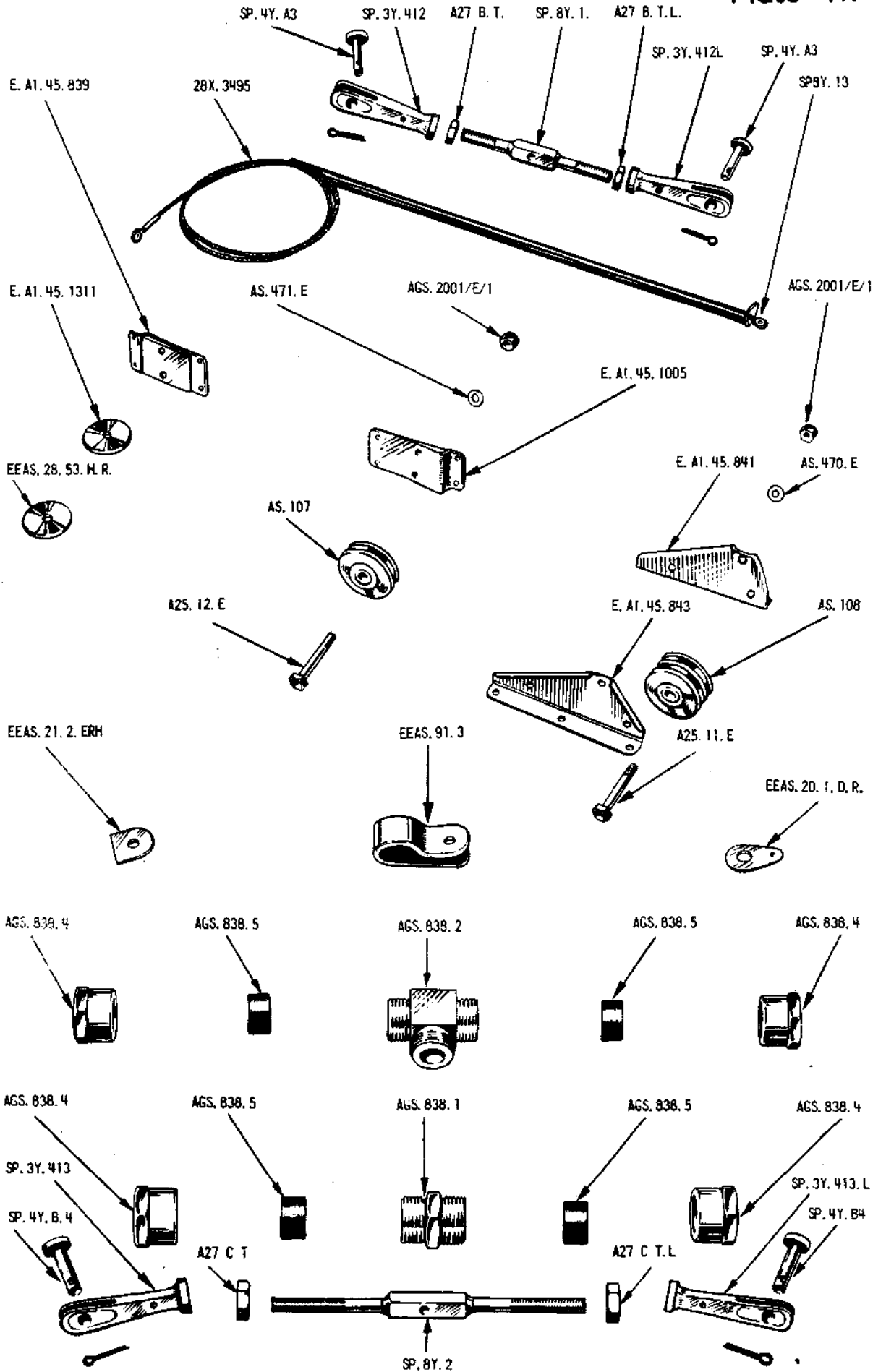
| Ref. No. | Part No. | | | | | | | No. Off | Matl Spec. | Cl. of Equip. M.R. L.M. | Plate No. |
|----------|----------|---|---|---|---|---|---|---------|------------|-------------------------------|-----------|
| | | 1 | 2 | 3 | 4 | 5 | 6 | | | | |
| | | | | | | | | | | | |

Pages 56³ to 570 not issued

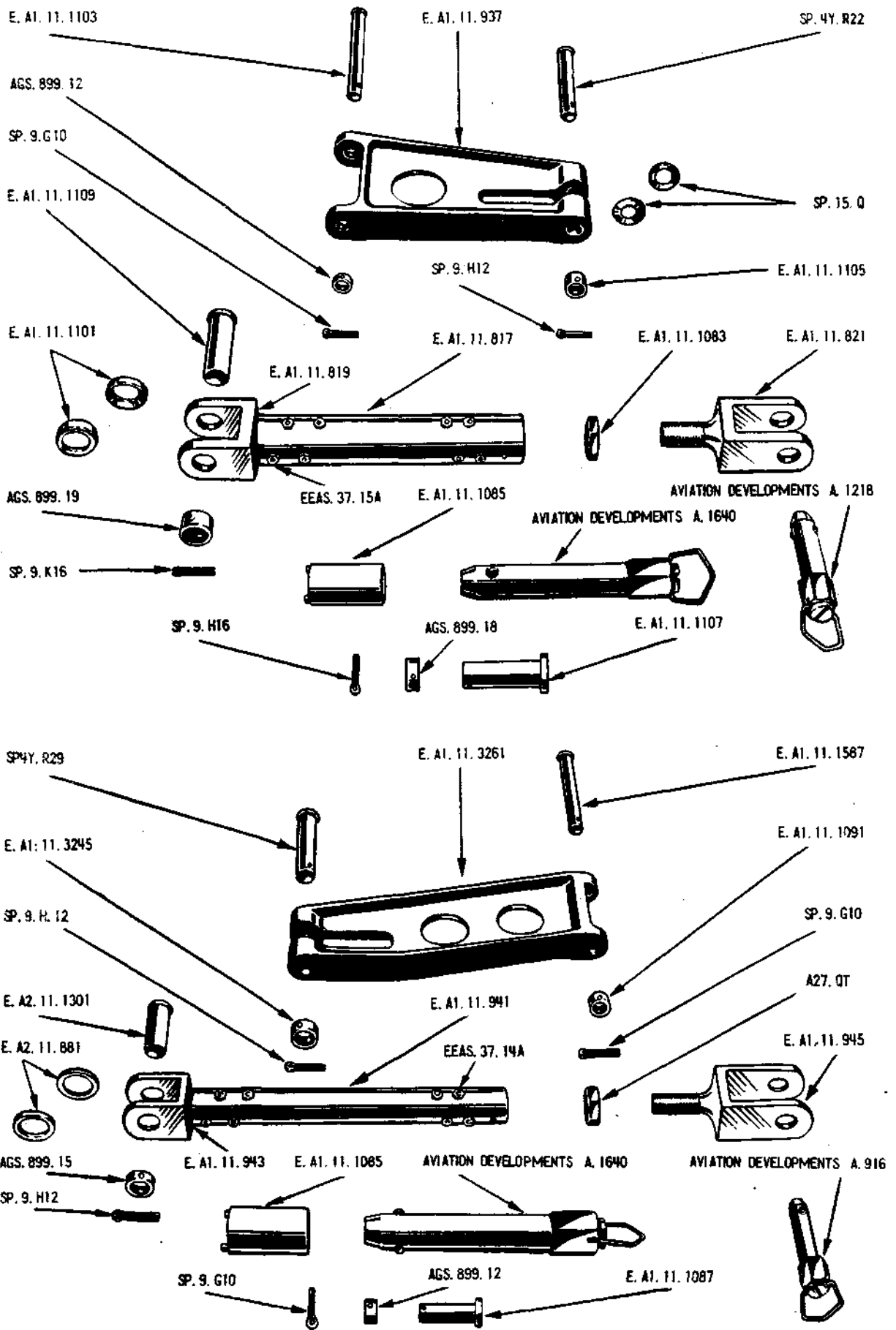
FUSELAGE
REAR FUSELAGE AND TAIL UNIT

| Ref. No. | Part No. | Description | | | | | | No. off | Matl. Spec. | Cl. of Equip. M.R. L.M. | Plate No. |
|---|--------------|---------------|-----|-----|-----|-----|-----|---------|-------------|-------------------------------|-----------|
| | | 1 | 2 | 3 | 4 | 5 | 6 | | | | |
| SUMMARY OF STOCK ITEMS USED ON REAR FUSELAGE AND TAIL UNIT | | | | | | | | | | | |
| 28D/1010658 | A25/1B | Bolt, 4 | BA | ... | ... | ... | ... | ... | — | — | C |
| 28D/1011013 | A25/13B | Bolt, 4 | BA | ... | ... | ... | ... | ... | — | — | C |
| 28D/9436920 | A25/1C | Bolt, 2 | BA | ... | ... | ... | ... | ... | — | — | C |
| 28D/9133011 | A25/2C | Bolt, 2 | BA | ... | ... | ... | ... | ... | — | — | C |
| 28D/9133012 | A25/3C | Bolt, 2 | BA | ... | ... | ... | ... | ... | — | — | C |
| 28D/9435710 | A25/11C | Bolt, 2 | BA | ... | ... | ... | ... | ... | — | — | C |
| 28D/1203083 | A25/3J | Bolt, 2 | BSF | ... | ... | ... | ... | ... | — | — | C |
| 28D/1007975 | AS.1242/1C | Bolt, 2 | BA | ... | ... | ... | ... | ... | — | — | C |
| 28D/1214091 | AS.1242/2C | Bolt, 2 | BA | ... | ... | ... | ... | ... | — | — | C |
| 28D/9709461 | AS.1242/3C | Bolt, 2 | BA | ... | ... | ... | ... | ... | — | — | C |
| 28D/1007976 | AS.1242/4C | Bolt, 2 | BA | ... | ... | ... | ... | ... | — | — | C |
| 28D/1013172 | AS.1242/5C | Bolt, 2 | BA | ... | ... | ... | ... | ... | — | — | C |
| 28M/1006473 | A27/CT | Nut, 2 | BA | ... | ... | ... | ... | ... | — | — | C |
| 28M/1278189 | AGS.2001/B/1 | Nut, stiff, 4 | BA | ... | ... | ... | ... | ... | — | — | C |
| 28M/10297 | AGS.2001/B/2 | Nut, stiff, 4 | BA | ... | ... | ... | ... | ... | — | — | C |
| 28M/1956039 | AGS.2001/B/3 | Nut, stiff, 4 | BA | ... | ... | ... | ... | ... | — | — | C |
| 28M/1278190 | AGS.2001/C/1 | Nut, stiff, 2 | BA | ... | ... | ... | ... | ... | — | — | C |
| 28M/10318 | AGS.2002/B/3 | Nut, stiff, 4 | BA | ... | ... | ... | ... | ... | — | — | C |
| 28M/10332 | AGS.2002/J/1 | Nut, stiff, 2 | BSF | ... | ... | ... | ... | ... | — | — | C |
| 28M/12050 | AGS.2007/C/3 | Nut, stiff, 2 | BA | ... | ... | ... | ... | ... | — | — | C |
| 28M/10213 | AGS.2008/E/3 | Nut, stiff, 1 | BSF | ... | ... | ... | ... | ... | — | — | C |
| 28S/7002444 | A33/C14 | Screw, 2 | BA | ... | ... | ... | ... | ... | — | — | C |
| 28S/1200053 | A33/C16 | Screw, 2 | BA | ... | ... | ... | ... | ... | — | — | C |
| 28W/9419465 | SP.13/B | Washer | ... | ... | ... | ... | ... | ... | — | — | C |

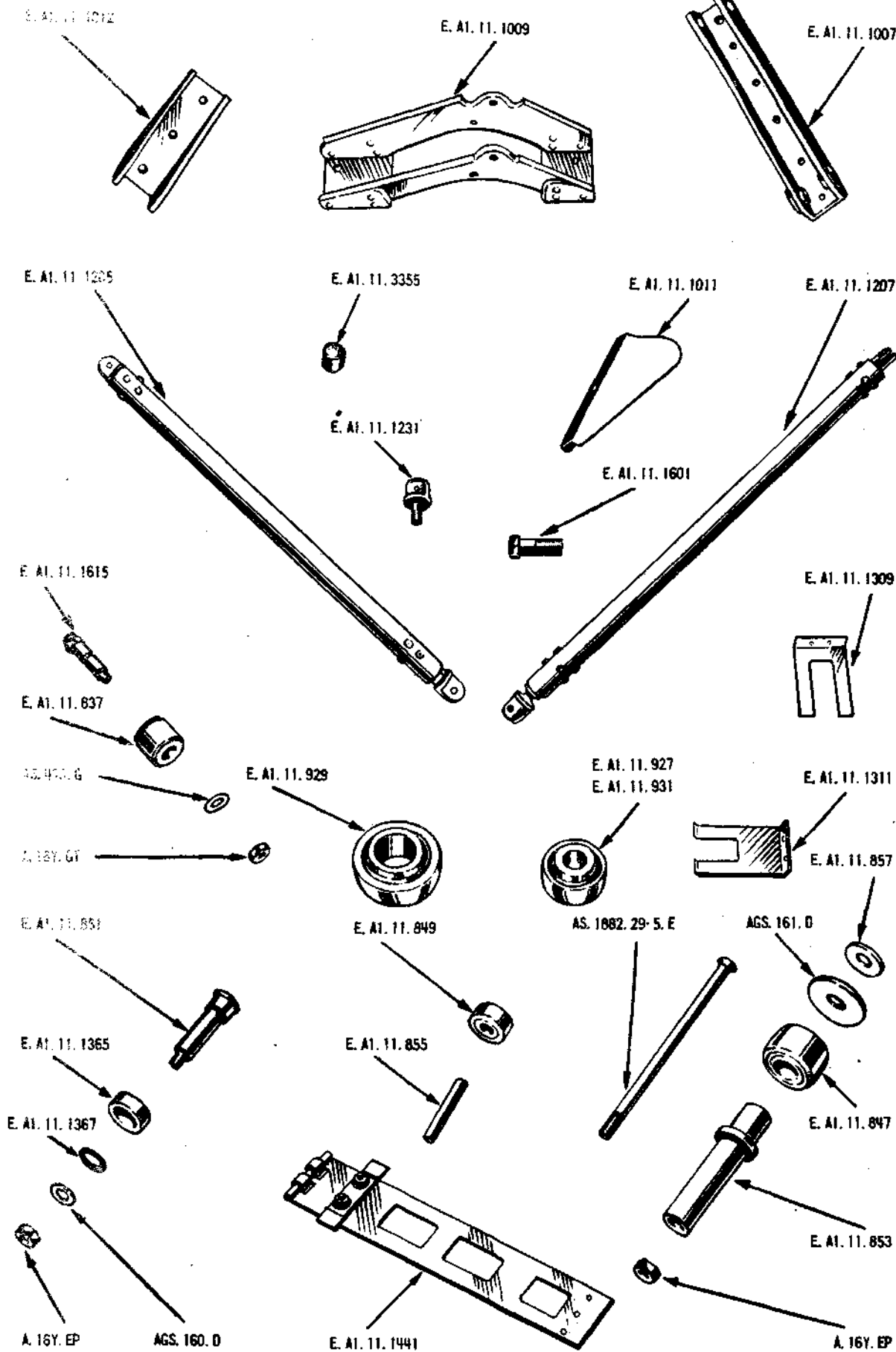
| Ref. No. | Part No. | 1 2 3 4 5 6 | Description | No. off | Matl. Spec. | Cl. of Equip. M.R. L.M. | Plate No. |
|----------|----------|----------------------------|-------------|------------|-------------|----------------------------------|--------------|
| | | | | | | | |



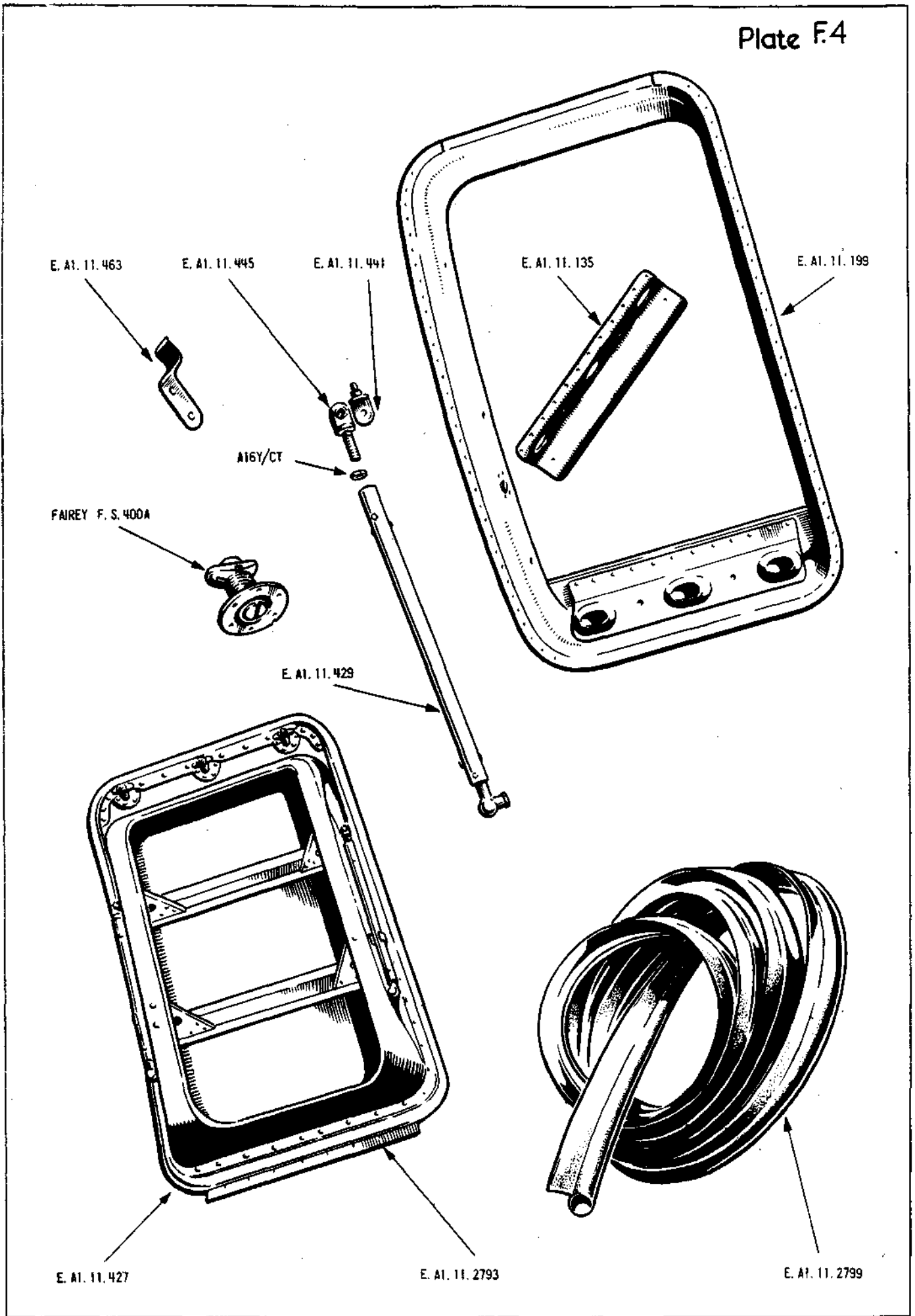
CENTRE FUSELAGE - EMERGENCY RELEASE GEAR



CENTRE FUSELAGE STRUCTURE EQUIPMENT

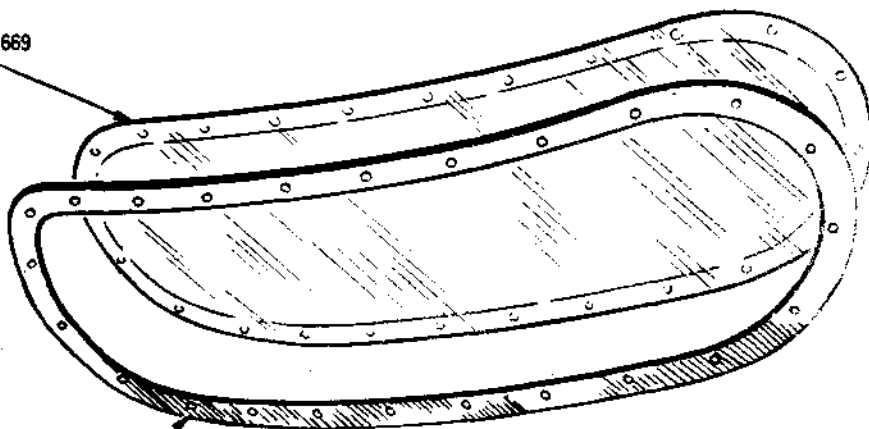


CENTRE FUSELAGE STRUCTURE EQUIPMENT



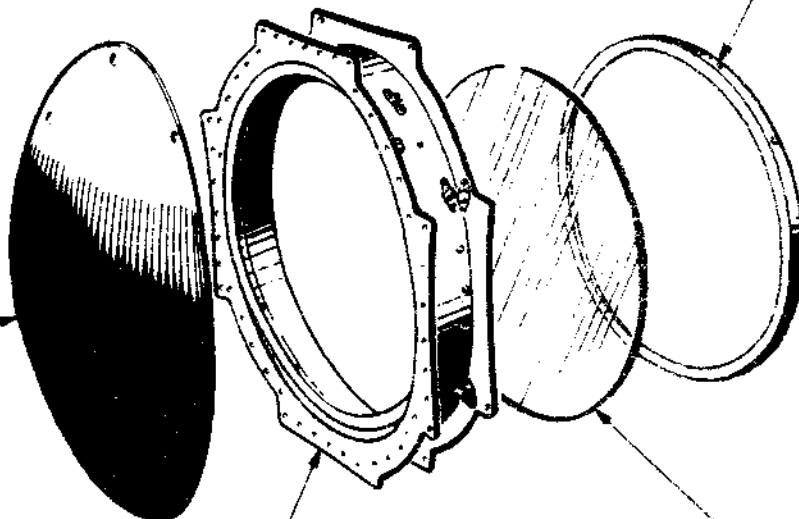
CENTRE FUSELAGE STRUCTURE - ACCUMULATOR DOOR AND FRAME

E. A1. 11. 669



E. A1. 11. 673

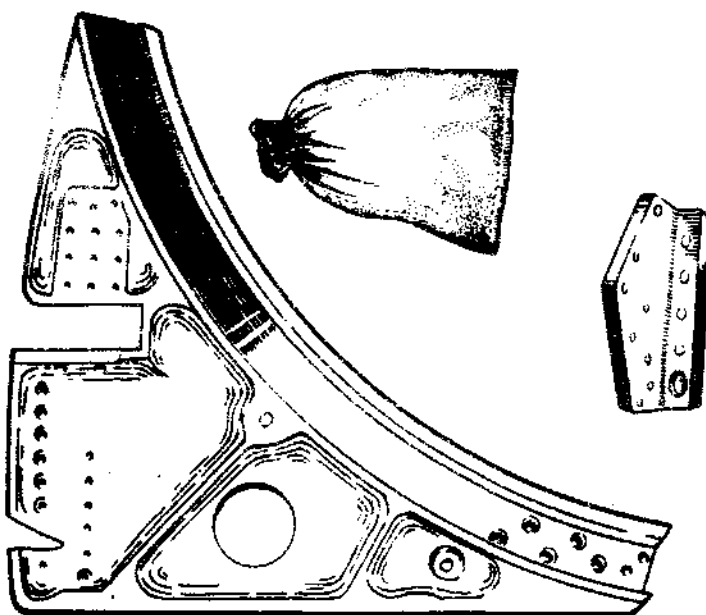
E. A1. 11. 547



E. A1. 11. 541

E. A1. 11. 537

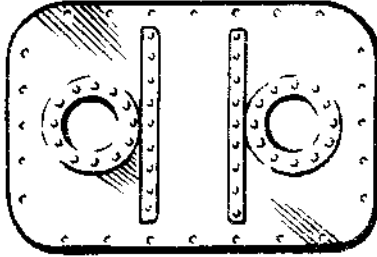
E. A1. 11. 629



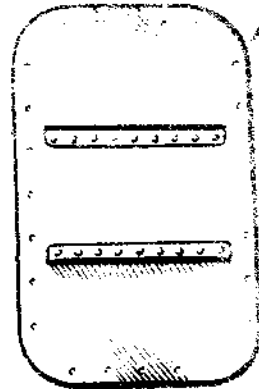
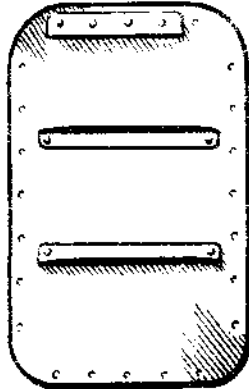
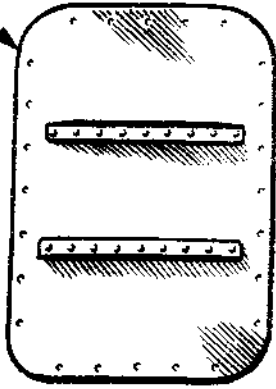
E. A1. 11. 801
E. A1. 11. 802

CENTRE FUSELAGE STRUCTURE EQUIPMENT

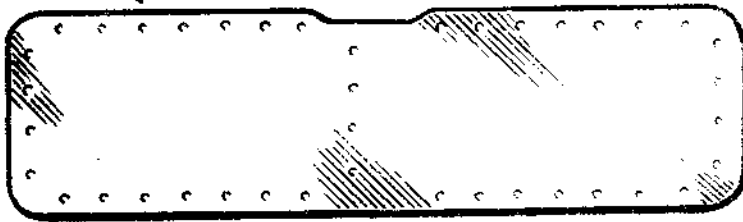
E. A1. 11. 1651



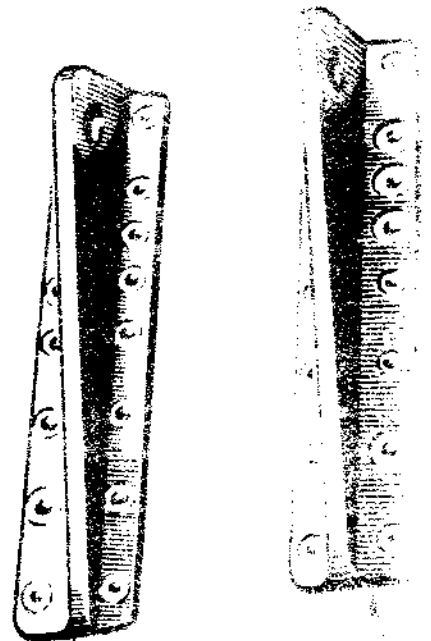
E. A1. 11. 1655



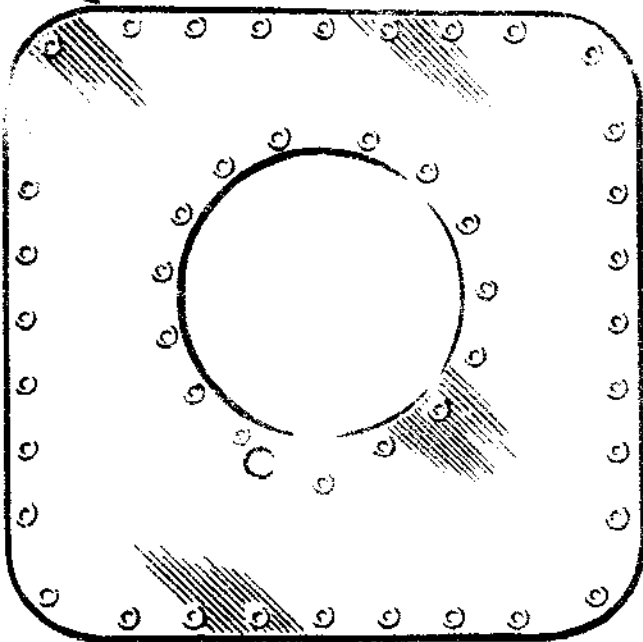
E. A3. 11. 1149



E. A1. 11. 1657



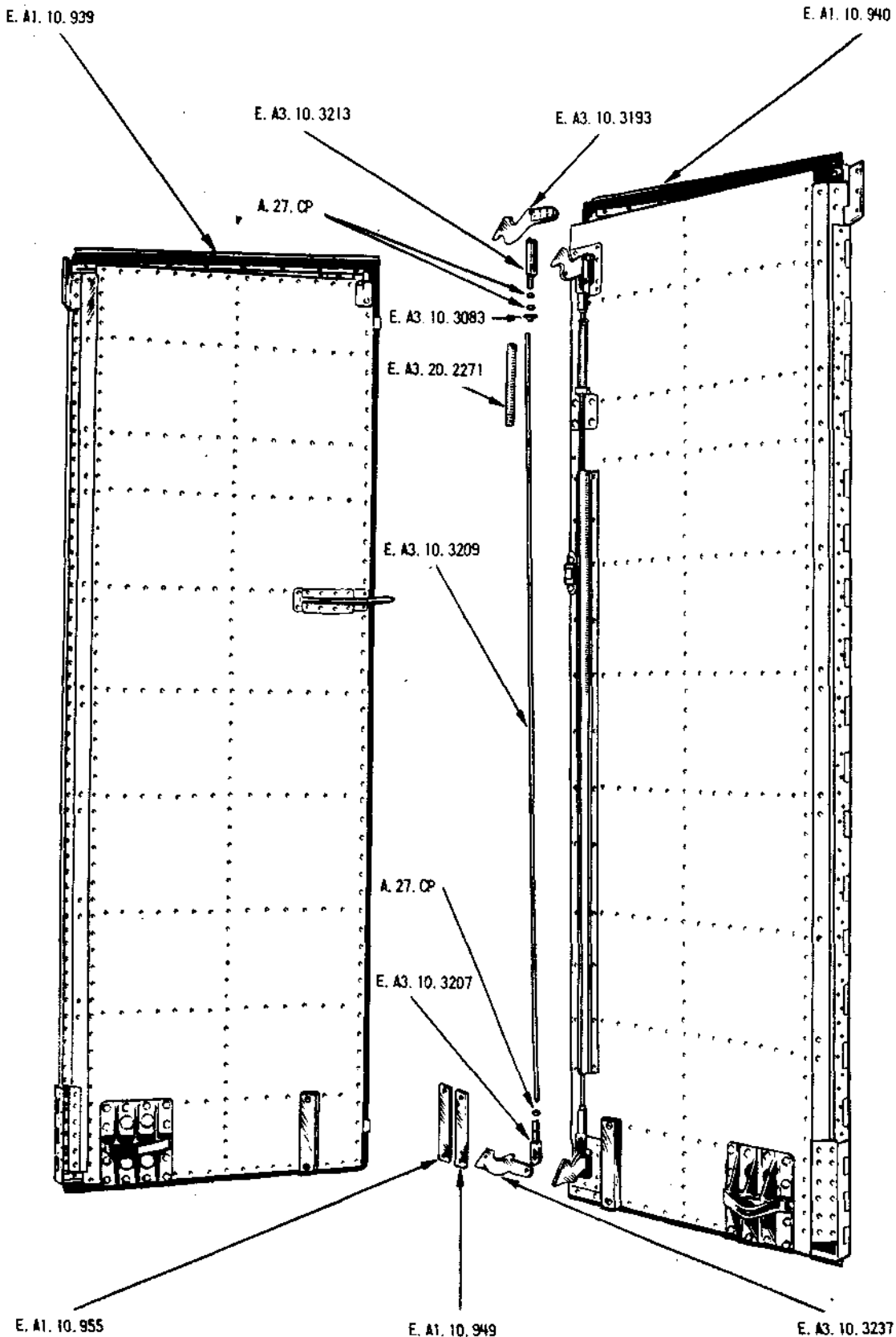
E. A1. 11. 771



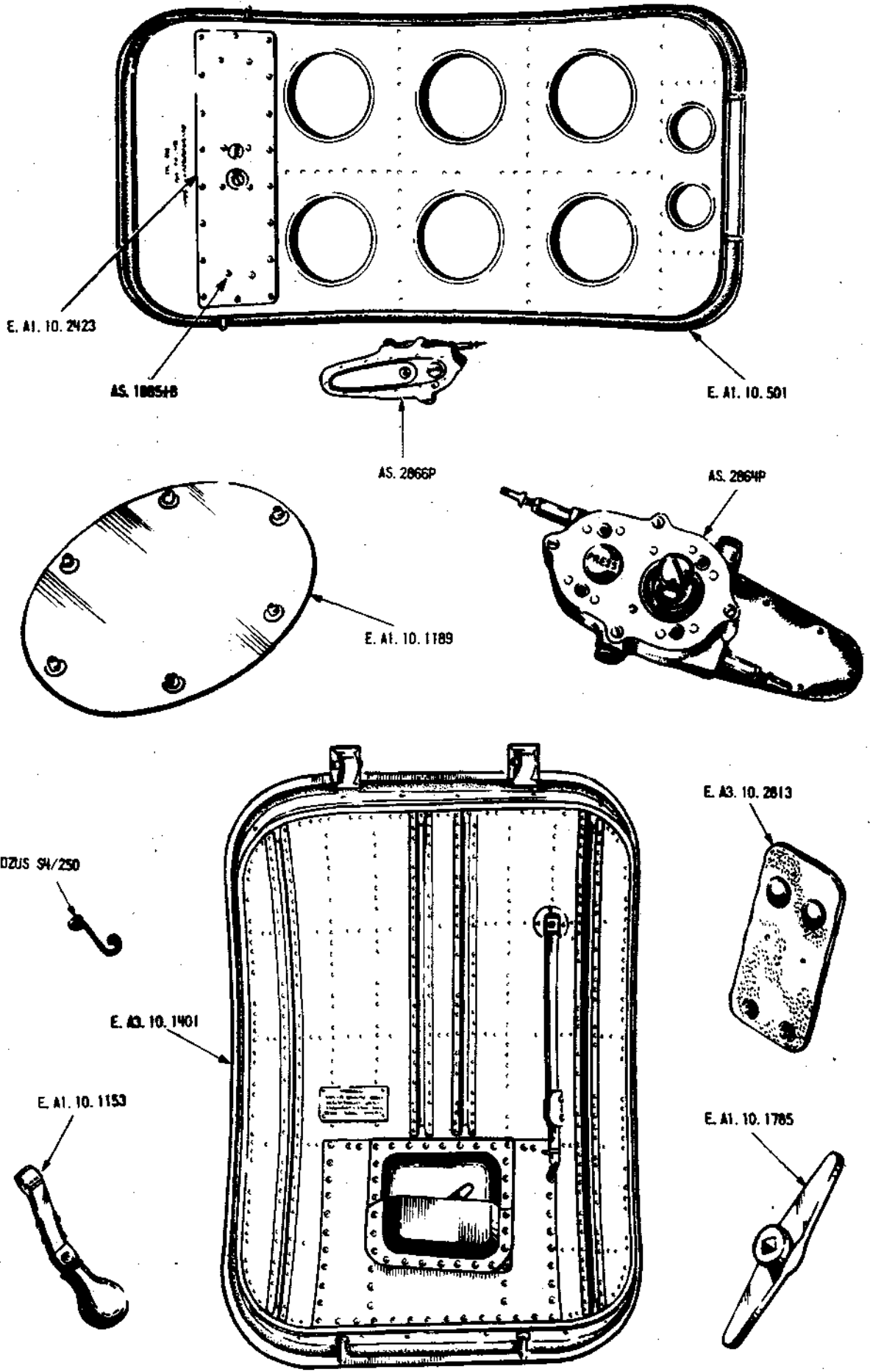
E. A1. 11. 0002



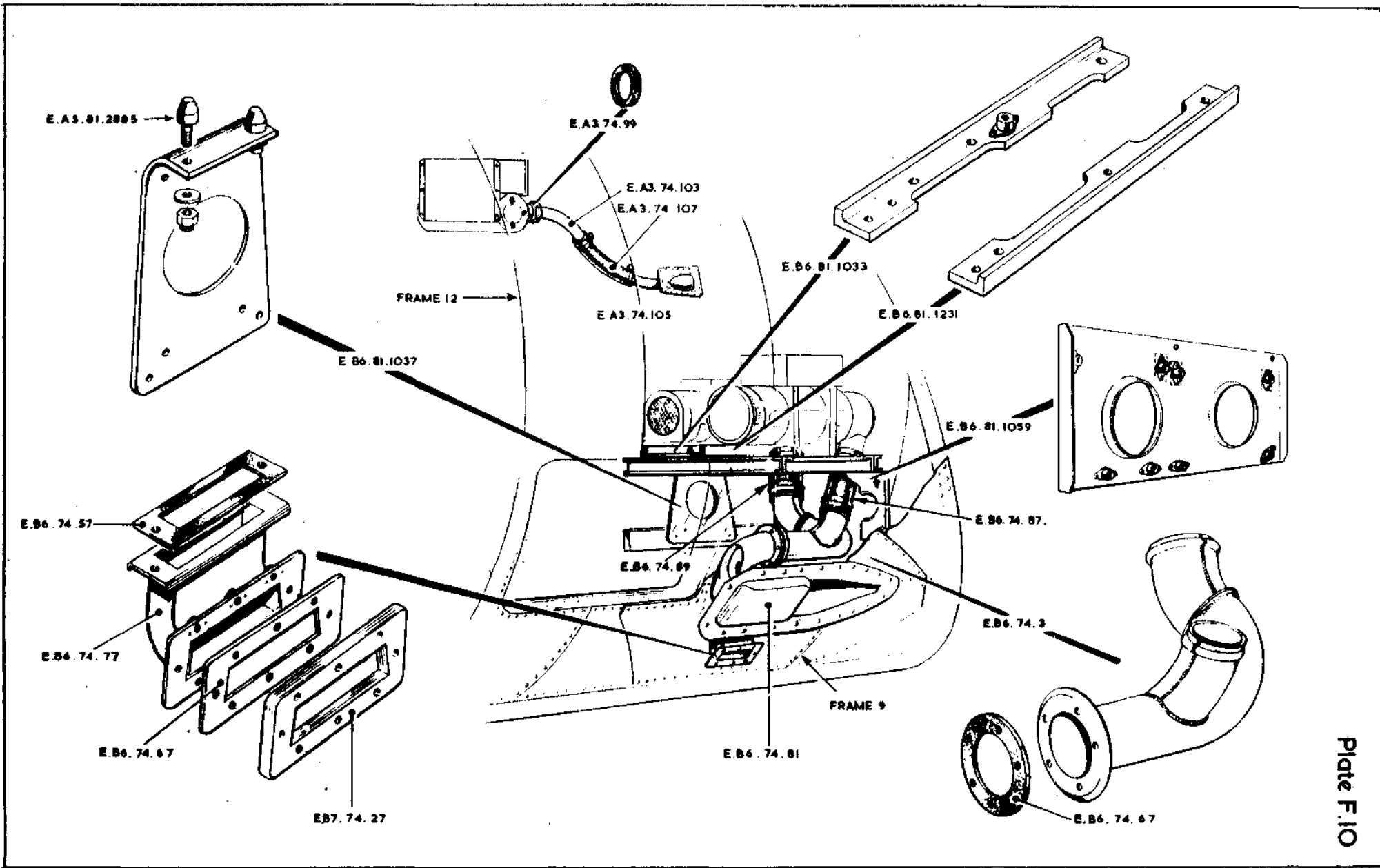
E. A1. 57



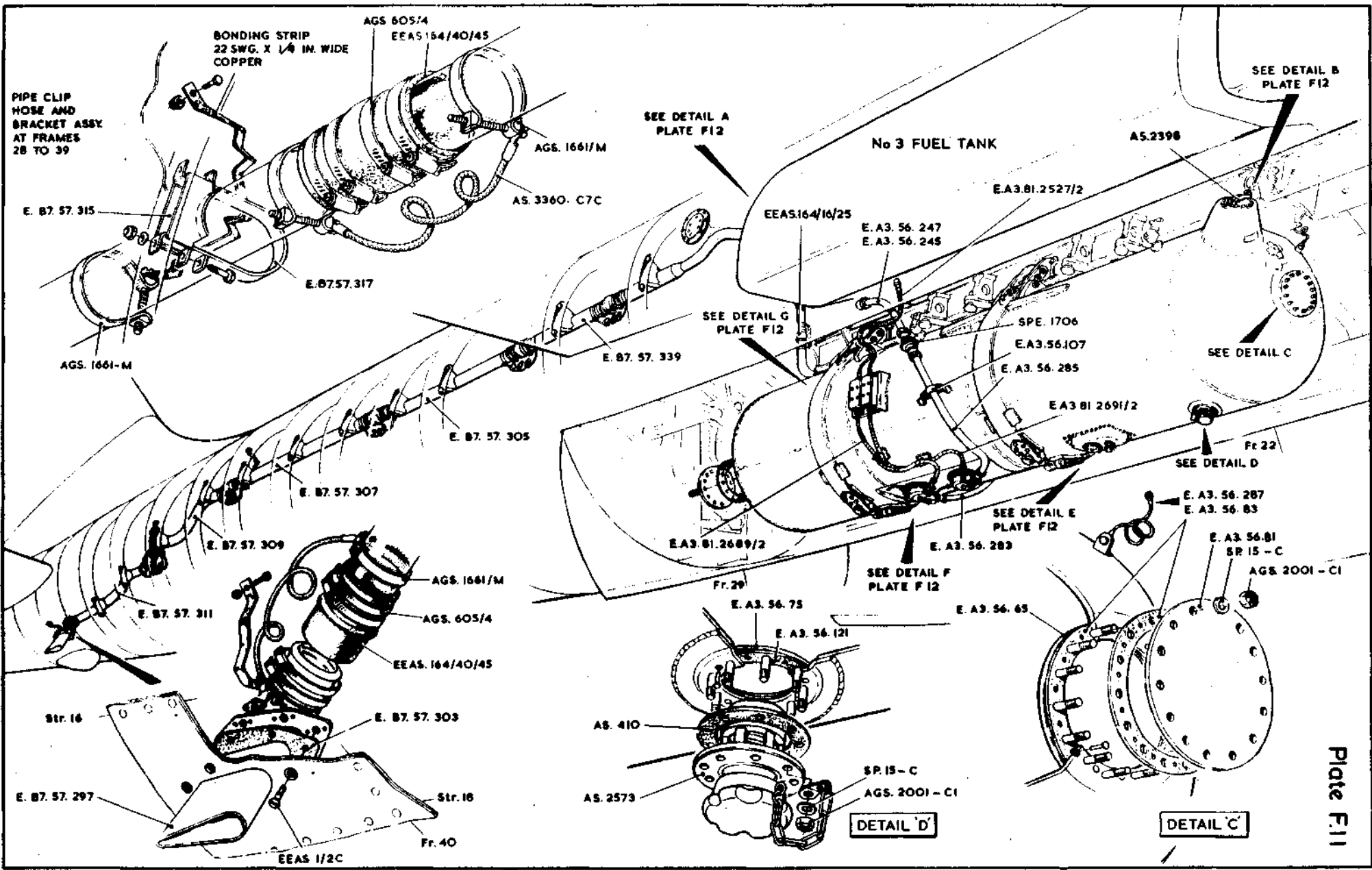
FRONT FUSELAGE - NOSE UNDERCARRIAGE DOORS



FRONT FUSELAGE - EQUIPMENT AND MAIN ENTRANCE DOORS



RESTRICTED
BLAST COOLING FOR INVERTORS



300 GALLON FUEL TANK
RESTRICTED

Plate F11

PITOT AND STATIC FRONT FUSELAGE
RESTRICTED

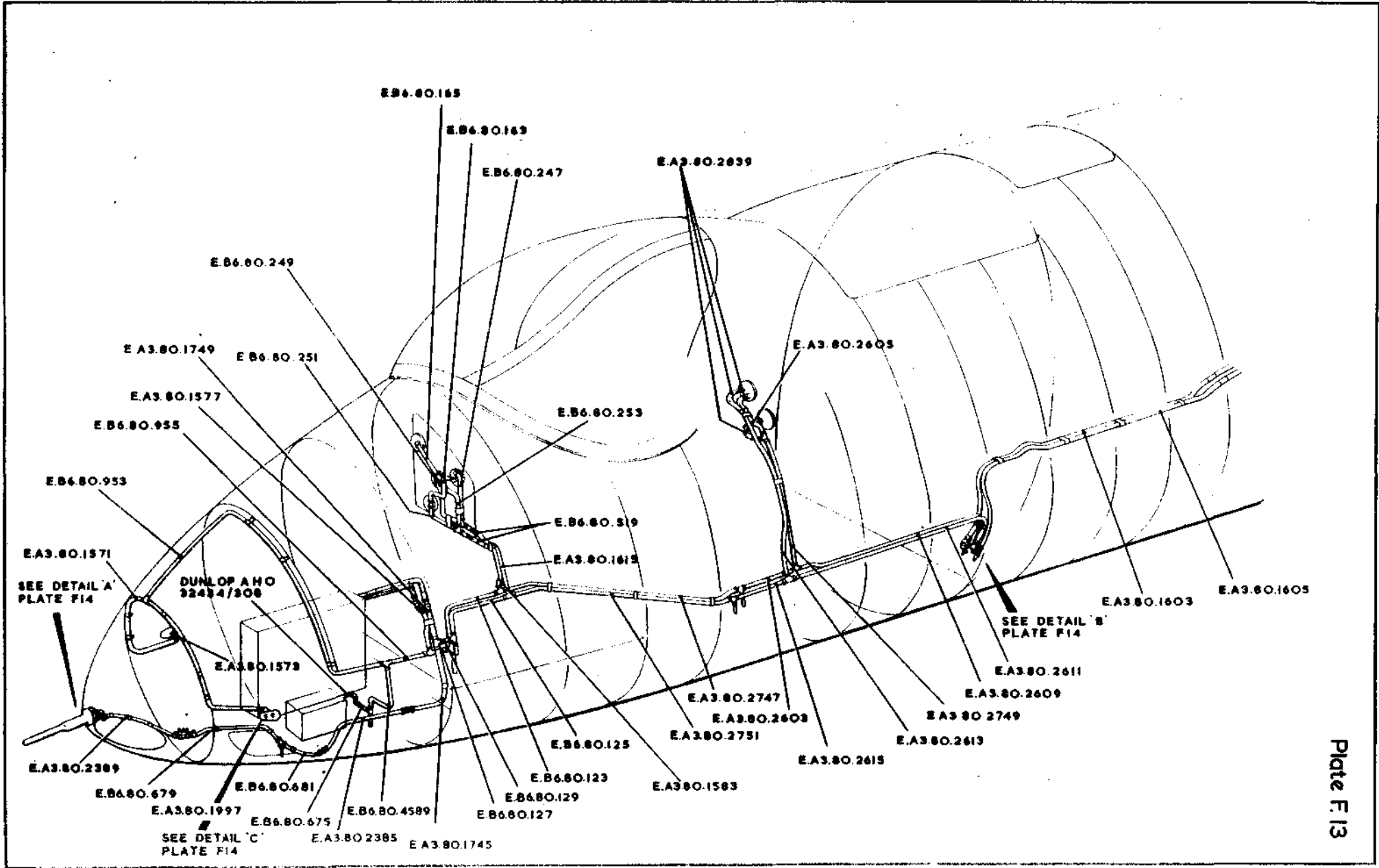
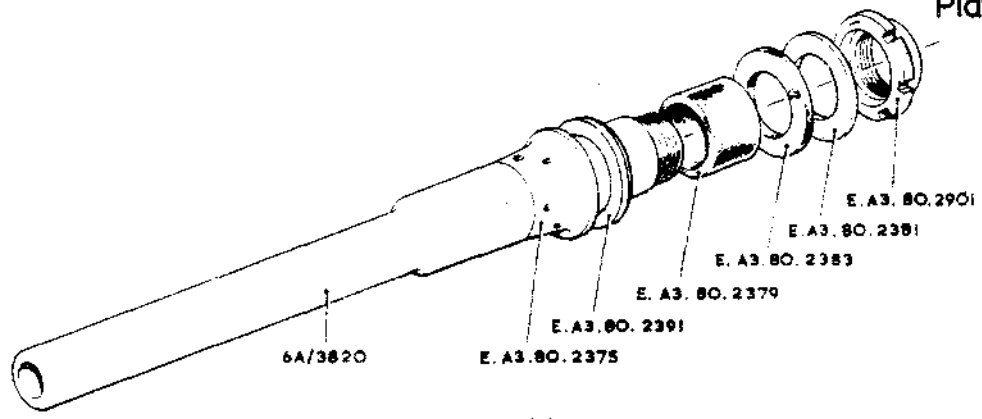
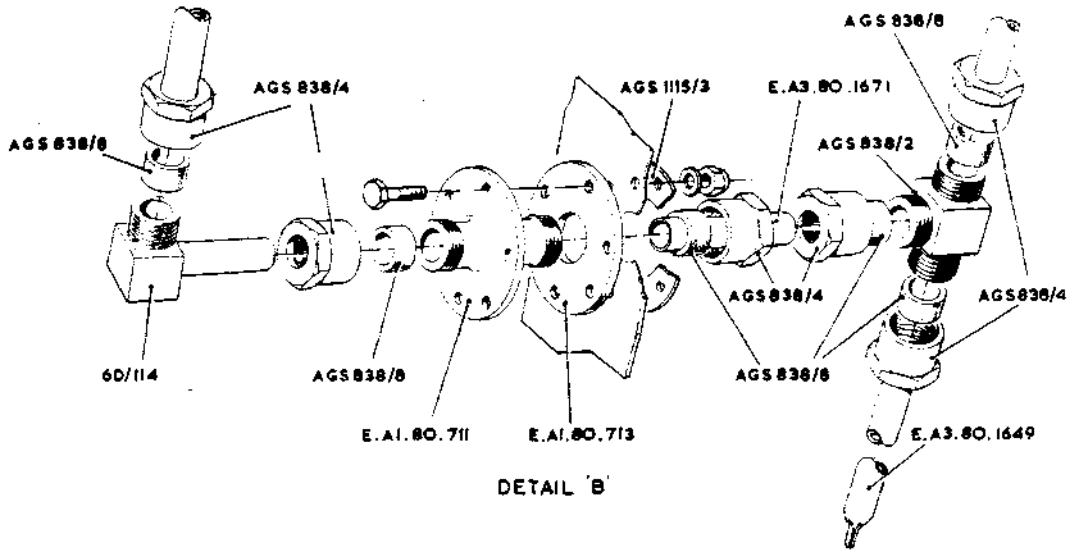


Plate F.13

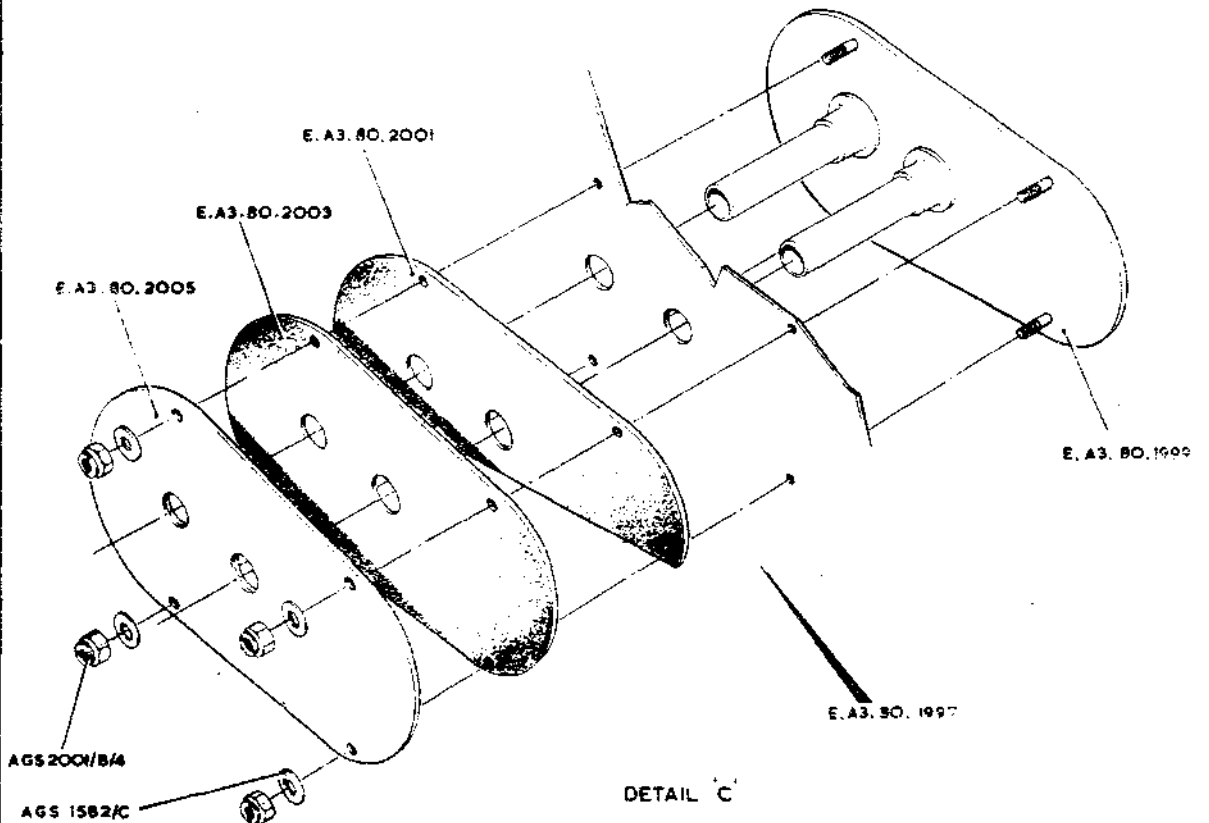
Plate F.14



DETAIL 'A'



DETAIL 'B'



DETAIL 'C'

NOTE: FOR LOCATION OF DETAILS SEE PLATE F.13

PITOT AND STATIC DETAILS FRONT FUSELAGE

RESTRICTED

This file was downloaded
from the RTFM Library.

Link: www.scottbouch.com/rtfm

Please see site for usage terms,
and more aircraft documents.

