

## GENERAL ASSEMBLY OF AIRCRAFT

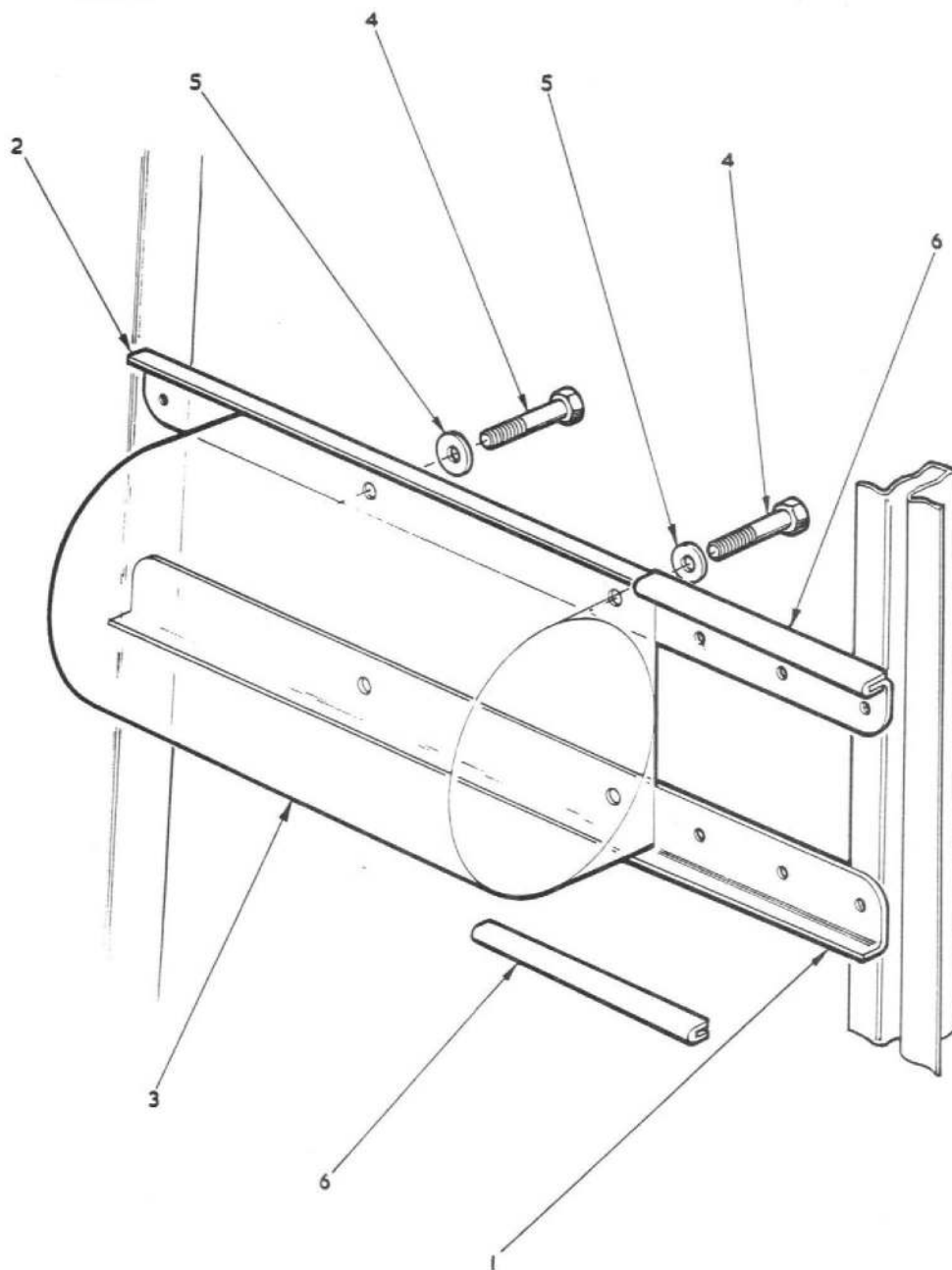
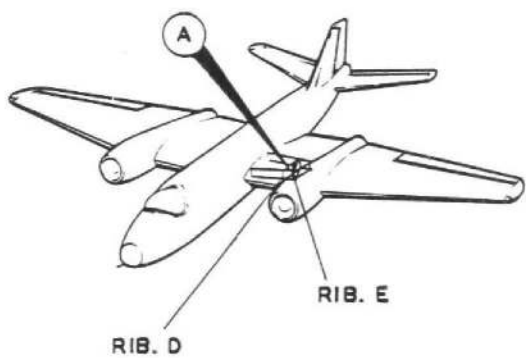
Part Number	Description	No. Off	Matl. Spec.	Plate No.
EB7.00.1	GENERAL ASSEMBLY OF AIRCRAFT Consisting of:—	—	—	
EA2.97.73	. ARMAMENT, GENERAL ASSEMBLY (See Chapter BA)	—	—	
EB7.00.25	. ATTACHMENTS, CENTRE FUSELAGE TO REAR FUSELAGE (See page N.1)	—	—	
EA2.00.23	. ATTACHMENTS, FRONT FUSELAGE TO CENTRE FUSELAGE (See page N.1)	—	—	
EA1.00.81	. ATTACHMENTS, JETTISONABLE TANK TO WING, PORT (See page UA.1)	—	—	
EA1.00.82	. ATTACHMENTS, JETTISONABLE TANK TO WING, STARBOARD (See page UA.1)	—	—	
EA1.00.21	. ATTACHMENTS, WING TO FUSELAGE, PORT (See page N.3)	—	—	
EA1.00.22	. ATTACHMENTS, WING TO FUSELAGE, STARBOARD (See page N.3)	—	—	
EA2.83.6051	. BOX, F97 CAMERA AND AUXILIARY CONTROL (See Chapter SC)	—	—	
EA2.83.1	. CAMERAS AND CAMERA CONTROLS (See Chapter SC)	—	—	
EB7.47.1	. CONTROLS, ENGINE, GENERAL ASSEMBLY (See Chapter C)	—	—	
EA2.45.1	. CONTROLS, FLYING, GENERAL ASSEMBLY (See Chapter D)	—	—	
EA1.20.10733	. DOOR, UNDERCARRIAGE, PORT (See Chapter LC)	—	—	
EA1.20.10734	. DOOR, UNDERCARRIAGE, STARBOARD (See Chapter LC)	—	—	
R EB7.81.7301	. ELECTRICS, BANNER TARGET TOWING INSTALLATION (MOD 5439) Spares for:—	—	—	
R EB7.81.7319	. . . BLOCK, fuse assembly Spares for:—	1	—	A2/1
R 703-1-00416	. . . . BLOCK, fuse	1	—	A2/2
R EB7.81.7317	. . . . LABEL	1	—	A2/3
R EB7.81.7323	. . . BLOCK, fuse assembly Spares for:—	1	—	A2/4
R 703-1-00416	. . . . BLOCK, fuse	1	—	A2/5
R EB7.81.7321	. . . . LABEL	1	—	A2/6
R FR3838-1020	. . . CABLE, Uniminyvin 20	QR	—	A2/7
R EB7.81.7307	. . . CABLE, assembly, BT.1	1	—	A2/8
R EB7.81.7309	. . . CABLE, assembly, BT.2	1	—	A2/9
R EB7.81.7311	. . . CABLE, assembly, BT.3	1	—	A2/10
R TC4005-CRN	. . . CAP, termination	1	—	A2/11
R 508-1-40183-324	. . . CONNECTOR, bulkhead	1	—	A2/12
R —	. . . EARTH POINT E2 Consisting of:—	—	—	
R A54/C	. . . . NUT, 2BA	2	—	A2/13
R AGS2001/C/4	. . . . NUT, stiff, 2BA	1	—	A2/14
R A43/C40	. . . . SCREW, 2BA	1	—	A2/15
R SP124/D	. . . . WASHER, packing	2	—	A2/16
R SP25/C	. . . . WASHER, 2BA	2	—	A2/17
R AS5	. . . FUSE, 5A	2	—	A2/18
R EB7.81.7333	. . . LABEL	1	—	A2/19
R EEAS71-1	. . . LINK, commoning	1	—	A2/20

## GENERAL ASSEMBLY OF AIRCRAFT

Part Number	1 2 3 4 5 6	Description	No.	Mati. Spec.	Plate No.
			Off		
R EB7.81.7303	. . .	PANEL, switch assembly Spares for:—	1	—	A2/21
R L1004	. . .	FILAMENT, 0.04A, 28V	1	—	A2/22
R EB7.81.7305	. . .	PANEL, switch, engraved	1	—	A2/23
R AS10512-M1	. . .	SHROUD, terminal	2	—	A2/24
R AS10512-M2	. . .	SHROUD, terminal	1	—	A2/25
R C500-C7	. . .	SWITCH	1	—	A2/26
R AS10512-D1	. . .	SWITCH	1	—	A2/27
R AS10512-A7	. . .	SWITCH	2	—	A2/28
R AS10512-M2	. . .	SHROUD, terminal	1	—	A2/29
R EEAS146/20 <sup>3</sup> / <sub>4</sub> "	. . .	SLEEVE	QR	—	A2/30
R AS10512-C7	. . .	SWITCH, double pole	1	—	A2/31
R HC294D	. . .	TAG, RT	5	—	A2/32
R HC296B	. . .	TAG, RT	1	—	A2/33
R LK2C-HS-B	. . .	TIE, cable, insulok	QR	—	A2/34
R EA6.00.13	. . .	ENGINE, RA7 INSTALLATION, PORT (See Chapter PE)	—	—	
R EA6.00.14	. . .	ENGINE, RA7 INSTALLATION, STARBOARD (See Chapter PF)	—	—	
R EB7.81.3	. . .	EQUIPMENT, ELECTRICAL (See Chapter E)	—	—	
R EA1.88.2	. . .	EQUIPMENT, GROUND (See Chapter FA)	—	—	
R EB7.90.1	. . .	EQUIPMENT, RADAR (See Chapter Q)	—	—	
R EB7.82.1	. . .	EQUIPMENT, RADIO (See Chapter R)	—	—	
R EB2.00.43	. . .	FUSELAGE, CENTRE, GENERAL ASSEMBLY (See Chapter KA)	—	—	
R EB7.00.41	. . .	FUSELAGE, FRONT, GENERAL ASSEMBLY (See Chapter KB)	—	—	
R EB7.00.45	. . .	FUSELAGE, REAR, AND TAIL UNIT (See Chapter KC)	—	—	
R EB7.73.1	. . .	HYDRAULIC SYSTEM (See Chapter SH)	—	—	

## GENERAL ASSEMBLY OF AIRCRAFT

Part Number	Description	No. Off	Matl. Spec.	Plate No.
R -	. MOUNTING, SONAR LOCATOR BEACON (EA3.82.8103) (Mod 5441) Spares for:-	-	-	
R EA3.82.8105	. . ANGLE, mounting	1	-	A1/1
R EA3.82.8107	. . ANGLE, mounting	1	-	A1/2
R 8.201.00.001	. . BEACON, sonar locator, type 17638 Attaching parts for beacon:-	1	-	A1/3
R LN29943K-06003	. . Bolt, 6 mm dia	4	-	A1/4
R SP124/E	. . Washer	4	-	A1/5
R EE11/2	. . EXTRUSION (Make from 32C/6216635) Attaching parts for EE11/2:-	2	-	A1/6
R EC1099	. . Adhesive	QR	-	
R EA2.00.5007	. PHOTOGRAPHY, HIGH LEVEL NIGHT (See Chapter SC)	-	-	
R EA2.00.5001	. PHOTOGRAPHY, LOW LEVEL NIGHT (See Chapter SC)	-	-	
R EB7.00.5091	. SUIT, VENTILATED, INSTALLATION (MOD 3425-S.O.O.) (See Chapter SB)	-	-	
R EA3.62.175	. TANK, JETTISONABLE, PORT, ASSEMBLY (PRE-MOD 2395) (See Chapter UA)	-	-	
R EA3.62.217	. TANK, JETTISONABLE, PORT, ASSEMBLY (MOD 2395) (See Chapter UA)	-	-	
R EA3.62.176	. TANK, JETTISONABLE, STARBOARD ASSEMBLY (PRE-MOD 2395) (See Chapter UA)	-	-	
R EA3.62.177	. TANK, JETTISONABLE, STARBOARD ASSEMBLY (MOD 2395) (See Chapter UA)	-	-	
R EA2.00.13	. WING, GENERAL ASSEMBLY PORT (See Chapter L)	-	-	
R EA2.00.14	. WING, GENERAL ASSEMBLY STARBOARD (See Chapter L)	-	-	



DETAIL A

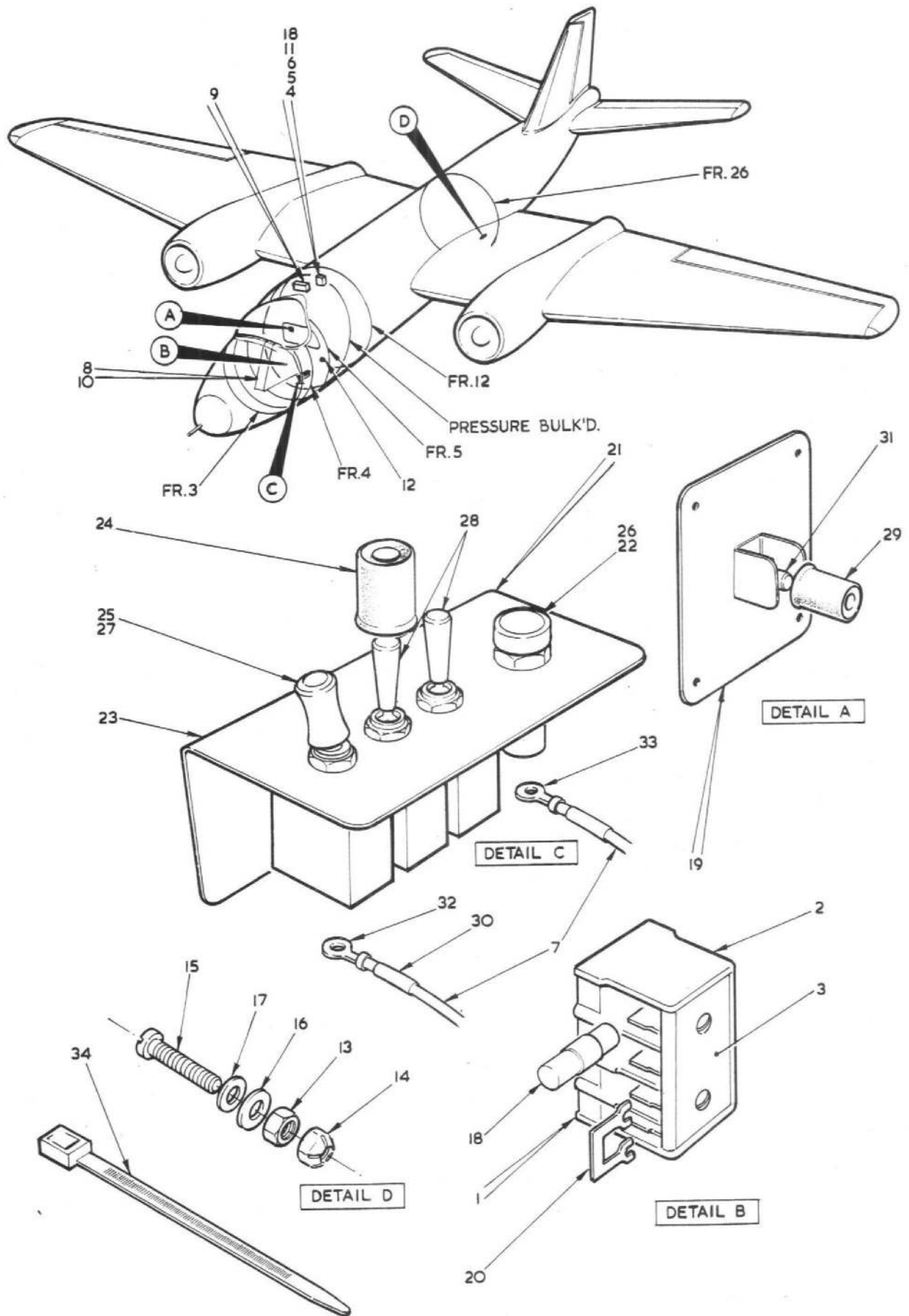


FIG 2 BANNER TARGET ELECTRICS

This file was downloaded  
from the RTFM Library.  
Link: [www.scottbouch.com/rtfm](http://www.scottbouch.com/rtfm)  
Please see site for usage terms,  
and more aircraft documents.

