

## FLARE GEAR

Part Number	Description	No. Off	Mati. Spec.	Plate No.
EA2.97.73	FLARE GEAR, ASSEMBLY	-	-	
	Spares for:-			
EA2.97.127	. BEAM, FLARE, ASSEMBLY (PRE-MOD 2537)	1	-	BA1/1
EA2.97.5003	. BEAM, FLARE, ASSEMBLY (MOD 2537-S.O.O.)	1	-	
	Spares for:-			
EA2.97.49	. . ANGLE (Pre-Mod 2537)	1	-	BA1/2
EA2.97.53	. . ANGLE	2	-	BA4/1
EA2.97.155	. . ANGLE (Pre-Mod 2537)	2	-	BA1/3 BA4/2
EA2.97.157	. . ANGLE	1	-	BA4/3
EA2.97.159	. . ANGLE	1	-	BA4/4
EA2.97.161	. . ANGLE	1	-	BA4/5
EA2.97.163	. . ANGLE	1	-	BA4/6
EA2.97.181	. . ANGLE	1	-	BA1/4
EA2.97.139	. . ANGLE (Mod 2537-S.O.O.)	4	-	
EA2.97.5049	. . ANGLE, port (Mod 2537-S.O.O.)	1	-	
EA2.97.5050	. . ANGLE, starboard (Mod 2537-S.O.O.)	1	-	
EA2.97.5067	. . ANGLE (Mod 2537-S.O.O.)	1	-	
EA2.97.5069	. . ANGLE, port (Mod 2537-S.O.O.)	1	-	
EA2.97.5070	. . ANGLE, starboard (Mod 2537-S.O.O.)	1	-	
EA2.97.5073	. . ANGLE, port (Mod 2537-S.O.O.)	1	-	
EA2.97.5074	. . ANGLE, starboard (Mod 2537-S.O.O.)	1	-	
EA2.97.5085	. . ANGLE, port (Mod 2537-S.O.O.)	1	-	
EA2.97.5086	. . ANGLE, starboard (Mod 2537-S.O.O.)	1	-	
	. . Attaching parts for EA2.97.5073, EA2.97.5074 EA2.97.5085 and EA2.97.5086:-			
EA2.97.5057	. . Bolt, special	3	-	
A27EP	. . Nut, 1/4" BSF	3	-	
SP15E	. . Washer	3	-	
EA2.97.5079	. . ANGLE, port (Mod 2537-S.O.O.)	1	-	
EA2.97.5080	. . ANGLE, starboard (Mod 2537-S.O.O.)	1	-	
EA2.97.5091	. . ANGLE, port (Mod 2537-S.O.O.)	1	-	
EA2.97.5092	. . ANGLE, starboard (Mod 2537-S.O.O.)	1	-	
EA2.97.5133	. . BLOCK, packing (Mod 2537-S.O.O.)	2	-	
EA2.97.5135	. . BLOCK, packing (Mod 2537-S.O.O.)	2	-	
SIS1564	. . BLOCK, terminal, 2 way (Pre-Mod 2537)	1	-	BA4/7
	. . Attaching parts for SIS1564:-			
AGS2001A1	. . Nut, stiff, 6BA	1	-	BA4/8
A25/10Q	. . BOLT, 5/8" BSF	2	-	BA1/5
EA1.97.275	. . BOLT, bearing	1	-	BA2/1
EA2.97.207	. . BOLT, CRUTCH, ASSEMBLY	4	-	BA2/2
	Spares for:-			
EA2.97.231	. . . BOLT, crutch	1	-	BA2/3
EA2.97.235	. . . PAD	1	-	BA2/4
	. . Attaching parts for EA2.97.235:-			
6C1/4	. . . Screw, No. 6, P.K.	4	-	BA2/5
EA2.97.5053	. . BOLT, CRUTCH, ASSEMBLY (MOD 2537-S.O.O.)	2	-	
	Spares for:-			
EA2.97.5035	. . . BOLT, crutch	1	-	
EA2.97.5059	. . . PAD	1	-	
	Attaching parts for EA2.97.5059:-			
AS1242/1B	. . . Bolt, 4BA	4	-	
EA2.97.5063	. . BOLT, CRUTCH, ASSEMBLY (MOD 2537-S.O.O.)	2	-	
	Spares for:-			
EA2.97.5061	. . . BOLT, crutch	1	-	
EA2.97.5059	. . . PAD	1	-	
	. . Attaching parts for EA2.97.5059:-			
AS1242/1B	. . . Bolt, 4BA	4	-	

ARMAMENT  
FLARE GEAR

Part Number	Description	No. Off	Mati. Spec.	Plate No.
EA3.81.1279	. . BOLT, fixing	1	-	BA4/9
EA3.81.1135	. . BOLT, fixing (Mod 2537-S.O.O.)	1	-	
EA2.97.111	. . BRACKET	1	-	BA1/6
EA2.97.149	. . BRACKET (Pre-Mod 2537)	2	-	BA1/7
EA2.97.149	. . BRACKET (Mod 2537-S.O.O.)	1	-	
EA2.97.227	. . BRACKET (Pre-Mod 2537)	1	-	BA4/10
EA2.97.841	. . BRACKET (Pre-Mod 2537)	7	-	BA1/8
EA2.97.841	. . BRACKET (Mod 2537-S.O.O.)	9	-	
	. . Attaching parts for EA2.97.841:-			
A25/1B	. . Bolt, 4BA	1	-	BA1/9
AGS2001B1	. . Nut, stiff, 4BA	1	-	BA1/10
EA2.97.58	. . BRACKET, corner, LH	1	-	BA2/6
EA2.97.57	. . BRACKET, corner, RH	1	-	BA2/7
	. . Attaching parts for EA2.97.58 and EA2.97.57:-			
4101-10-5-8	. . Screw, No. 10, P.K.	QR	-	BA2/8
4101-30-5-8	. . Screw, No. 10, P.K.	QR	-	BA2/9
EA2.97.42	. . BRACKET, tee, LH	1	-	BA1/11
EA2.97.41	. . BRACKET, tee, RH	1	-	BA1/12
	. . Attaching parts for EA2.97.42 and EA2.97.41:-			
A25/13C	. . Bolt, 2BA	QR	-	BA1/13
A27CT	. . Nut, thin, 2BA	QR	-	BA1/14
SP47C	. . Washer, spring	QR	-	BA1/15
EA2.81.657	. . CABLE, assembly, cocking indicator	1	-	
EA2.97.5127	. . CABLE, assembly, E.M. release unit to cocking indicator (Mod 2537-S.O.O.)	1	-	
EA2.81.585/2	. . CABLE, assembly, 1Q1, from port plug break to flare jettison socket	1	-	
EA2.81.582/2	. . CABLE, assembly, 3Q1, from starboard plug break to automatic selector switch and flare release, terminal block (Pre-Mod 2537)	1	-	
EA2.81.583	. . CABLE, assembly, 3Q2, from flare release socket to automatic selector switch and flare release terminal block (Pre-Mod 2537)	1	-	
EA2.97.189	. . CHANNEL, support, LH (Pre-Mod 2537)	1	-	BA2/10
EA2.97.5037	. . CHANNEL, support, RH (Mod 2537-S.O.O.)	1	-	
EA2.97.190	. . CHANNEL, support, LH (Pre-Mod 2537)	1	-	BA2/11
EA2.97.5038	. . CHANNEL, support, RH (Mod 2537-S.O.O.)	1	-	
EA2.97.43	. . CLEAT, port	1	-	BA1/16
EA2.97.44	. . CLEAT, starboard	1	-	BA1/17
EA2.97.46	. . CLEAT, port	1	-	BA1/18
EA2.97.45	. . CLEAT, starboard	1	-	BA1/19
	. . Attaching parts for EA2.97.43, EA2.97.44, EA2.97.46 and EA2.97.45:-			
A25/11C	. . Bolt, 2BA	4	-	BA1/20
A27/CT	. . Nut, thin, 2BA	4	-	BA1/21
SP47C	. . Washer, spring	4	-	BA1/22
EA2.97.193	. . CLEAT	1	-	BA2/12
EA2.97.195	. . CLEAT	1	-	BA2/13
EA2.97.197	. . CLEAT	2	-	BA4/11
EA2.97.139	. . CLEAT, angle (Pre-Mod 2537)	18	-	BA1/23

R

AP101B-0407-3A

Page BA.3

## ARMAMENT

## FLARE GEAR

Part Number	1 2 3 4 5 6	Description	No. Off	Matl. Spec.	Plate No.
EA2.97.139	. .	CLEAT, angle (Mod 2537-S.O.O.)	16	-	
EA2.97.267	. .	CLEAT, angle	1	-	BA1/24
AGS1661B	. .	CLIP	2	-	BA4/13
AS3180/38	. .	CLIP	8	-	BA2/14
					BA4/14
					BA4/15
AS3180/4B	. .	CLIP (Pre-Mod 2537)	QR	-	
AS3180/4B	. .	CLIP (Mod 2537-S.O.O.)	8	-	
AS3180/6B	. .	CLIP (Pre-Mod 2537)	QR	-	BA1/25
					BA4/16
					BA4/17
AS3180/7B	. .	CLIP (Pre-Mod 2537)	2	-	
AS3180/8B	. .	CLIP (Mod 2537-S.O.O.)	1	-	
AS3180/4C	. .	CLIP (Mod 2537-S.O.O.)	2	-	
		Attaching parts for clips:-			
A25/1C	. .	Bolt, 2BA	QR	-	BA4/18
A25/1B	. .	Bolt, 4BA	QR	-	BA1/26
					BA2/15
					BA4/19
AGS2001C1/66	. .	Nut, stiff, 2BA	QR	-	BA4/20
AGS2001B1	. .	Nut, stiff, 4BA	QR	-	BA1/27
					BA2/16
					BA4/21
					BA3/1
11A4486606	. .	COVER, dust, type 3, Mk. 1 (Pre-Mod 2537)	1	-	
11A4486606	. .	COVER, dust, type 3, Mk. 1 (Mod 2537-S.O.O.)	2	-	
EA2.97.239	. .	DIAPHRAGM, centre	1	-	BA2/17
		Attaching parts for EA2.97.239:-			
A25/4C	. .	Bolt, 2BA	QR	-	BA2/18
A25/6C	. .	Bolt, 2BA	QR	-	BA2/19
A27CT	. .	Nut, thin, 2BA	QR	-	BA2/20
EA2.97.203	. .	Washer, saddle	QR	-	BA2/21
EA2.97.205	. .	Washer, special	QR	-	BA2/22
EA2.97.229	. .	DIAPHRAGM, crutch, forward, LH	2	-	BA2/23
EA2.97.230	. .	DIAPHRAGM, crutch, forward, RH	2	-	BA2/24
EA2.97.233	. .	DIAPHRAGM, crutch, aft, LH	2	-	BA2/25
EA2.97.234	. .	DIAPHRAGM, crutch, aft, RH	2	-	BA2/26
		Attaching parts for EA2.97.229, EA2.97.230, EA2.97.233 and EA2.97.234:-			
A25/5C	. .	Bolt, 2BA	QR	-	BA2/27
A25/6C	. .	Bolt, 2BA	QR	-	BA2/28
A27CT	. .	Nut, thin, 2BA	QR	-	BA2/29
4101-10-1-2	. .	Screw, No. 10, P.K.	QR	-	BA2/30
SP15C	. .	Washer	QR	-	BA2/31
EA2.97.203	. .	Washer, saddle	QR	-	BA2/32
SP47C	. .	Washer, spring	QR	-	BA2/33
SIC2589	. .	GROMMET (Pre-Mod 2537)	2	-	BA1/28
					BA4/22
SIC2589	. .	GROMMET (Mod 2537-S.O.O.)	1	-	
Z1839	. .	GROMMET (PRE-Mod 2537)	2	-	BA2/34
SP93B12	. .	GROMMET (Mod 2537-S.O.O.)	1	-	
SP93C16	. .	GROMMET (Mod 2537-S.O.O.)	1	-	
EA2.97.5097	. .	HOUSING, crutch bolt (Mod 2537-S.O.O.)	4	-	
11A3674	. .	HOUSING, release unit (Pre-Mod 2537)	1	-	BA3/2
11A3674	. .	HOUSING, release unit (Mod 2537-S.O.O.)	2	-	

R

ARMAMENT  
FLARE GEAR

Part Number	Description	No. Off	Matl. Spec.	Plate No.
AGS2001B1	. . NUT, stiff, 4BA (Pre-Mod 2537)	2	—	BA4/23
AGS2001B1	. . NUT, stiff, 4BA (Mod 2537-S.O.O.)	3	—	
A27NT	. . NUT, thin, 1/2"; BSF	4	—	BA2/35
AGS2001Q1	. . NUT, stiff, 5/8" BSF	2	—	BA1/29
EA2.97.5055	. . NUT, special (Mod 2537-S.O.O.)	4	—	
EA2.97.107	. . PACKING	1	—	BA4/24
EA2.97.183	. . PEG	2	—	BA2/36
	Attaching parts for EA2.97.183:—			
R SP47E	. . Washer, spring	1	—	BA2/37
EA2.97.51	. . PIECE, packing (Pre-Mod 2537)	4	—	BA1/30 BA4/25
EA2.97.51	. . PIECE, packing (Mod 2537-S.O.O.)	2	—	
EA2.97.55	. . PIECE, packing	4	—	BA1/31 BA4/26
EA2.97.69	. . PIECE, packing	4	—	BA1/32
EA2.97.105	. . PIECE, packing	2	—	BA1/33
EA2.97.171	. . PIECE, packing (Pre-Mod 2537)	4	—	BA1/34 BA4/27
R EA2.97.171	. . PIECE, packing (Mod 2537-S.O.O.)	2	—	
	Attaching parts for EA2.97.171:—			
A25/4C	. . Bolt, 2BA	6	—	BA1/35 BA4/28
A27CT	. . Nut, thin, 2BA	6	—	BA1/36 BA4/29
EA2.97.173	. . PIECE, packing	2	—	BA4/30
EA2.97.175	. . PIECE, packing	2	—	BA4/31
EA2.97.177	. . PIECE, packing	2	—	BA4/32
EA2.97.179	. . PIECE, packing	4	—	BA2/38
EA2.97.217	. . PIN	2	—	BA2/39
EA3.81.2495	. . PIN, connector, retaining (Pre-Mod 2537)	2	—	BA2/40
EA3.81.2495	. . PIN, connector retaining (Mod 2537-S.O.O.)	4	—	
SP90C10	. . PIN, split	4	—	BA4/33
EA2.97.39	. . PLATE, attachment	4	—	BA1/37
EA2.97.191	. . PLATE, bearing, LH (Pre Mod 2537)	1	—	BA2/41
EA2.97.5039	. . PLATE, bearing, LH (Mod 2537-S.O.O.)	1	—	
EA2.97.192	. . PLATE, bearing, RH (Pre-Mod 2537)	1	—	BA2/42
EA2.97.5040	. . PLATE, bearing, RH (Mod 2537-S.O.O.)	1	—	
EA2.97.5071	. . PLATE, cover (Mod 2537-S.O.O.)	1	—	
EA2.97.47	. . PLATE, end	2	—	BA2/43
EA2.97.209	. . PLATE, packing	2	—	BA4/34
EA2.97.5139	. . PLATE, patch (Mod 2537-S.O.O.)	1	—	
EA2.97.115	. . PLATE, reinforcing (Pre-Mod 2537)	2	—	BA1/38
EA2.97.117	. . PLATE, reinforcing	2	—	BA4/35
EA2.97.187	. . PLATE, top	2	—	BA2/44
	Attaching parts for EA2.97.187:—			
A25/3C	. . Bolt, 2BA	4	—	BA2/45
A27CT	. . Nut, thin, 2BA	4	—	BA2/46
EA2.97.199	. . PLATE, wearing	4	—	BA2/47
	Attaching parts for EA2.97.199:—			
10C1-2	. . Screw, No. 10, P.K.	2	—	BA2/48

ARMAMENT  
FLARE GEAR

Part Number	Description	No. Off	Matl. Spec.	Plate No.
				1 2 3 4 5 6
EA2.97.271	. . . . . RELEASE, MANUAL, ASSEMBLY (PRE-MOD 2537)	1	—	BA3/3
EA2.97.5011	. . . . . RELEASE, MANUAL, ASSEMBLY (MOD 2537-S.O.O.)	1	—	
	Spares for:—			
EA2.97.5469	. . . . . BRACKET (Mod 2537-S.O.O.)	1	—	
EA2.97.5467	. . . . . BRACKET, angle (Mod 2537-S.O.O.)	1	—	
EA2.97.5479	. . . . . BRACKET (Pre-Mod 2537)	1	—	BA3/4
EA2.97.5491	. . . . . BRACKET (Mod 2537-S.O.O.)	1	—	
EA2.97.5471	. . . . . BRACKET, stop (Mod 2537-S.O.O.)	1	—	
EA2.97.273	. . . . . CABLE, BOWDEN, ASSEMBLY (PRE-MOD 2537)	1	—	BA3/5
EA2.97.5019	. . . . . CABLE, BOWDEN, ASSEMBLY (MOD 2537-S.O.O.)	1	—	
	Spares for:—			
P19/52A	. . . . . CABLE	1	—	BA3/6
B52	. . . . . CONDUIT, outer (Pre-Mod 2537)	1	—	BA3/7
B1	. . . . . CONDUIT, outer (Mod 2537-S.O.O.)	1	—	
PN980	. . . . . FERRULE (Pre-Mod 2537)	2	—	BA3/8
PN979B	. . . . . FERRULE (Mod 2537-S.O.O.)	2	—	
79/109	. . . . . FERRULE	2	—	BA3/9
PN1160	. . . . . NUT (Pre-Mod 2537)	4	—	BA3/10
PN23	. . . . . NUT (Mod 2537-S.O.O.)	4	—	
PN1159	. . . . . STOP, adjusting (Pre-Mod 2537)	2	—	BA3/11
EA3.97.529	. . . . . STOP, adjusting (Mod 2537-S.O.O.)	2	—	
EA2.97.5473	. . . . . CABLE, BOWDEN, ASSEMBLY (MOD 2537-S.O.O.)	1	—	
	Spares for:—			
P19/52A	. . . . . CABLE	1	—	
B1	. . . . . CONDUIT, outer	1	—	
PN979B	. . . . . FERRULE	1	—	
79/109	. . . . . FERRULE	2	—	
PN3954	. . . . . FERRULE, stepped	1	—	
EA2.97.5035	. . . . . LOCATOR, spring, and wire loop	1	—	
PN23	. . . . . NUT	2	—	
EA2.97.5029	. . . . . SPRING	1	—	
EA3.97.529	. . . . . STOP, adjusting	1	—	
AS3181-3B	. . . . . CLIP (Pre-Mod 2537)	7	—	BA3/12
AS3181/3B	. . . . . CLIP (Mod 2537-S.O.O.)	12	—	
	Attaching parts for AS3181-3B:—			
AGS2001B3	. . . . . Nut, stiff, 4BA	1	—	BA3/13
A40B10	. . . . . Screw, 4BA	1	—	BA3/14
EA2.97.5023	. . . . . COVER, spring, assembly (Mod 2537-S.O.O.)	1	—	
EA2.97.5091	. . . . . COVER, spring, assembly (Mod 2537-S.O.O.)	1	—	
EA2.97.539	. . . . . PULLEY, assembly (Mod 2537-S.O.O.)	2	—	
EA2.97.5031	. . . . . SPRING, compression (Mod 2537-S.O.O.)	1	—	
EA2.97.277	. . . . . SUPPORT (Pre-Mod 2537)	3	—	BA3/15
EA2.97.277	. . . . . SUPPORT (Mod 2537-S.O.O.)	6	—	
EA2.97.287	. . . . . SUPPORT (Pre-Mod 2537)	4	—	BA3/16
EA2.97.287	. . . . . SUPPORT (Mod 2537-S.O.O.)	5	—	
10Rx3-8	. . . . . SCREW, No. 10 P.K.	QR	—	BA2/49
EA2.97.241	. . . . . STRAP, upper, forward	1	—	BA2/50
EA2.97.223	. . . . . STRAP, upper, aft	1	—	BA2/51
EA2.97.221	. . . . . STRAP, lower, forward	1	—	BA2/52
EA2.97.225	. . . . . STRAP, lower, aft	1	—	BA2/53
EA2.97.201	. . . . . STRIP, packing	4	—	BA2/54

ARMAMENT  
FLARE GEAR

Part Number	Description	No. Off	Matl. Spec.	Plate No.
EA2.97.219	. . SUPPORT, crutch Attaching parts for EA2.97.219:—	4	—	BA2/55
A25-11C	. . Bolt, 2BA	5	—	BA2/56
A27CP	. . Nut, 2BA	5	—	BA2/57
SP47C	. . Washer, spring	5	—	BA2/58
EA2.97.215	. . SUPPORT, pin	1	—	BA4/36
EA2.97.216	. . SUPPORT, pin Attaching parts for EA2.97.215 and EA2.97.216:—	1	—	BA4/37
A25-7C	. . Bolt, 2BA	QR	—	BA4/38
A25-11C	. . Bolt, 2BA	QR	—	BA4/39
AGS2001C1-66	. . Nut, stiff, 2BA	QR	—	BA4/40
A27CT	. . Nut, thin, 2BA	QR	—	BA4/41
SIS2065	. . SWITCH, auto-selector, type C (Pre—Mod 2537) Attaching parts for SIS2065:—	1	—	BA4/42
A32C20	. . Screw, 2BA	2	—	BA4/43
SP47C	. . Washer, spring	2	—	BA4/44
11A3673	. . UNIT, E.M. release, No. 3 (Pre—Mod 2537)	1	—	BA3/17
11A4715	. . UNIT, E.M. release (Mod 2537—S.O.O.) Attaching parts for 11A3673 and 11A4715:—	2	—	
A25-20J	. . Bolt, 3-8" BSF	2	—	BA3/18
AGS2002J1	. . Nut, stiff, 3-8" BSF	2	—	BA3/19
SP15J	. . Washer	2	—	BA3/20
EA2.97.185	. . WASHER, special	2	—	BA4/45
SP15Q	. . WASHER	2	—	BA1/39
SP14N	. . WASHER	4	—	BA2/59
EA2.97.167	. . WEB, lower, centre (Pre—Mod 2537)	1	—	BA2/60
EA2.97.165	. . WEB, lower, forward	1	—	BA2/40
EA2.97.169	. . WEB, lower, aft (Pre—Mod 2537)	1	—	BA4/46
EA2.97.5115	. . WEB, lower, aft (Mod 2537—S.O.O.) Attaching parts for EA2.97.167, EA2.97.165, EA2.97.169 and EA2.97.5115:—	1	—	
R 10Rx3-8"	. . Screw, No. 10, P.K.	QR	—	BA1/41 BA2/61 BA4/47
EA2.97.5113	. . WHEEL, star (Mod 2537—S.O.O.) Attaching parts for EA2.97.5113:—	2	—	
SP90H8	. . Pin, split	1	—	

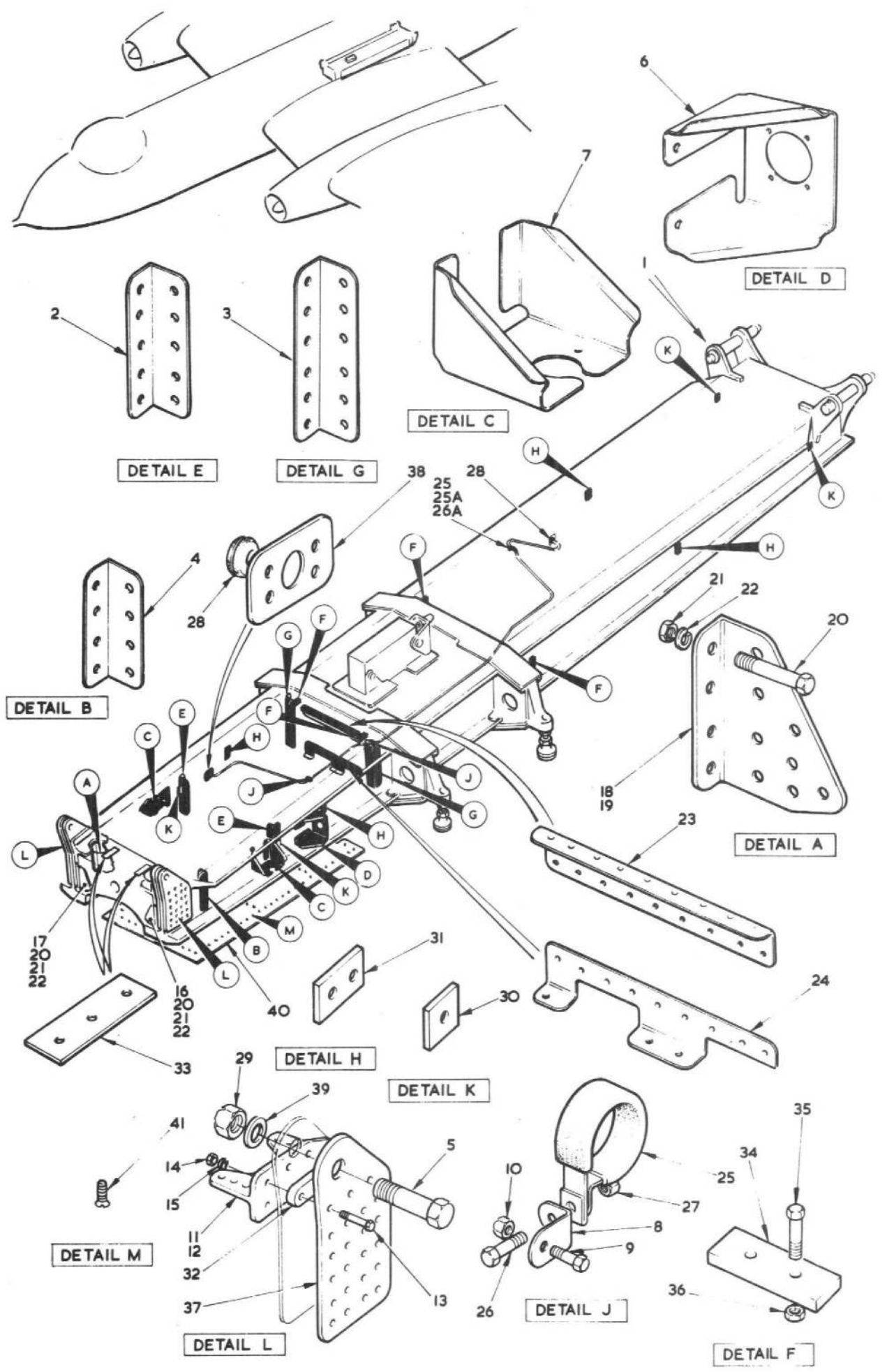


FIG. 1 FLARE GEAR

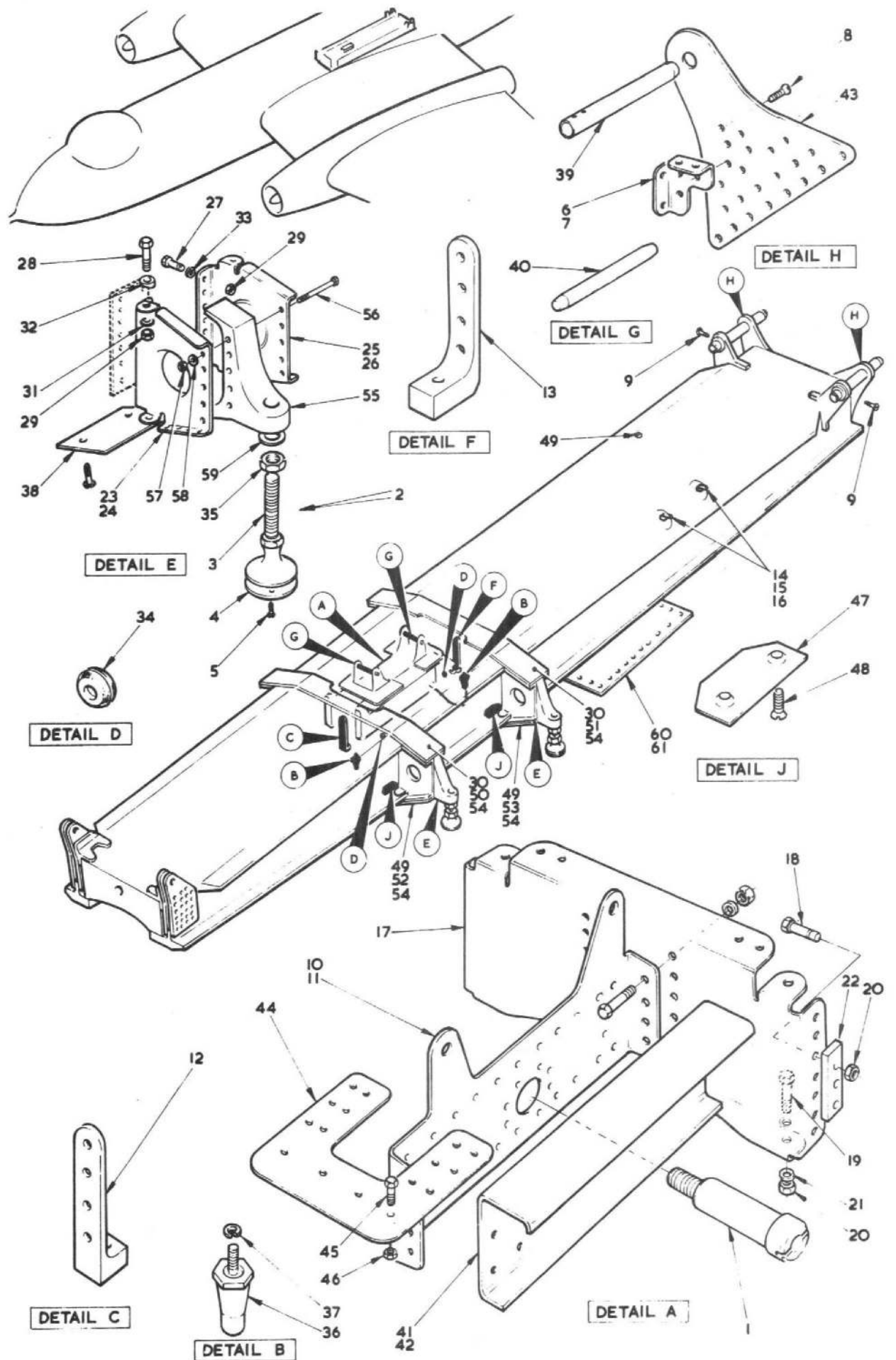


FIG. 2 FLARE GEAR

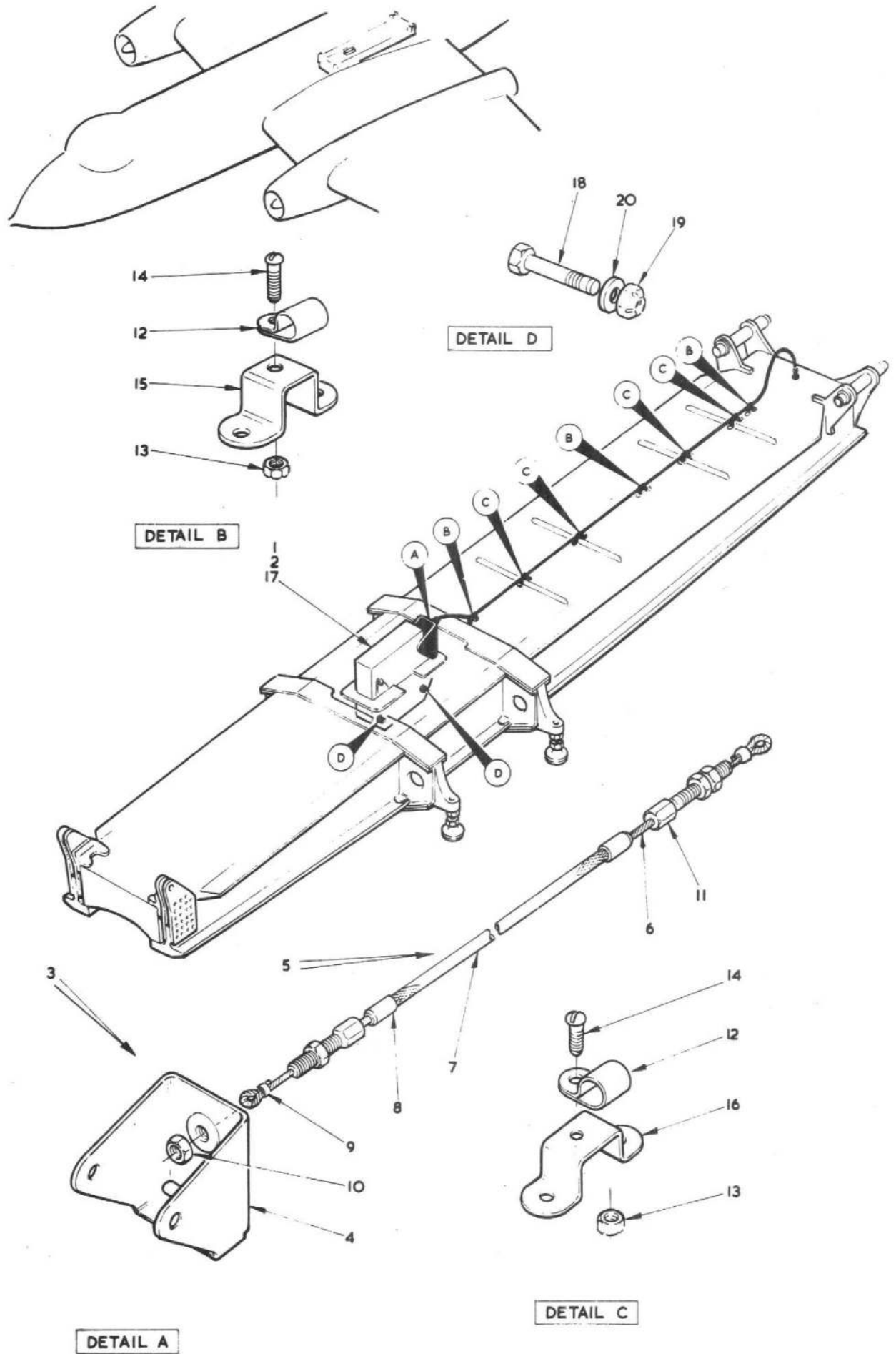


FIG.3 FLARE GEAR

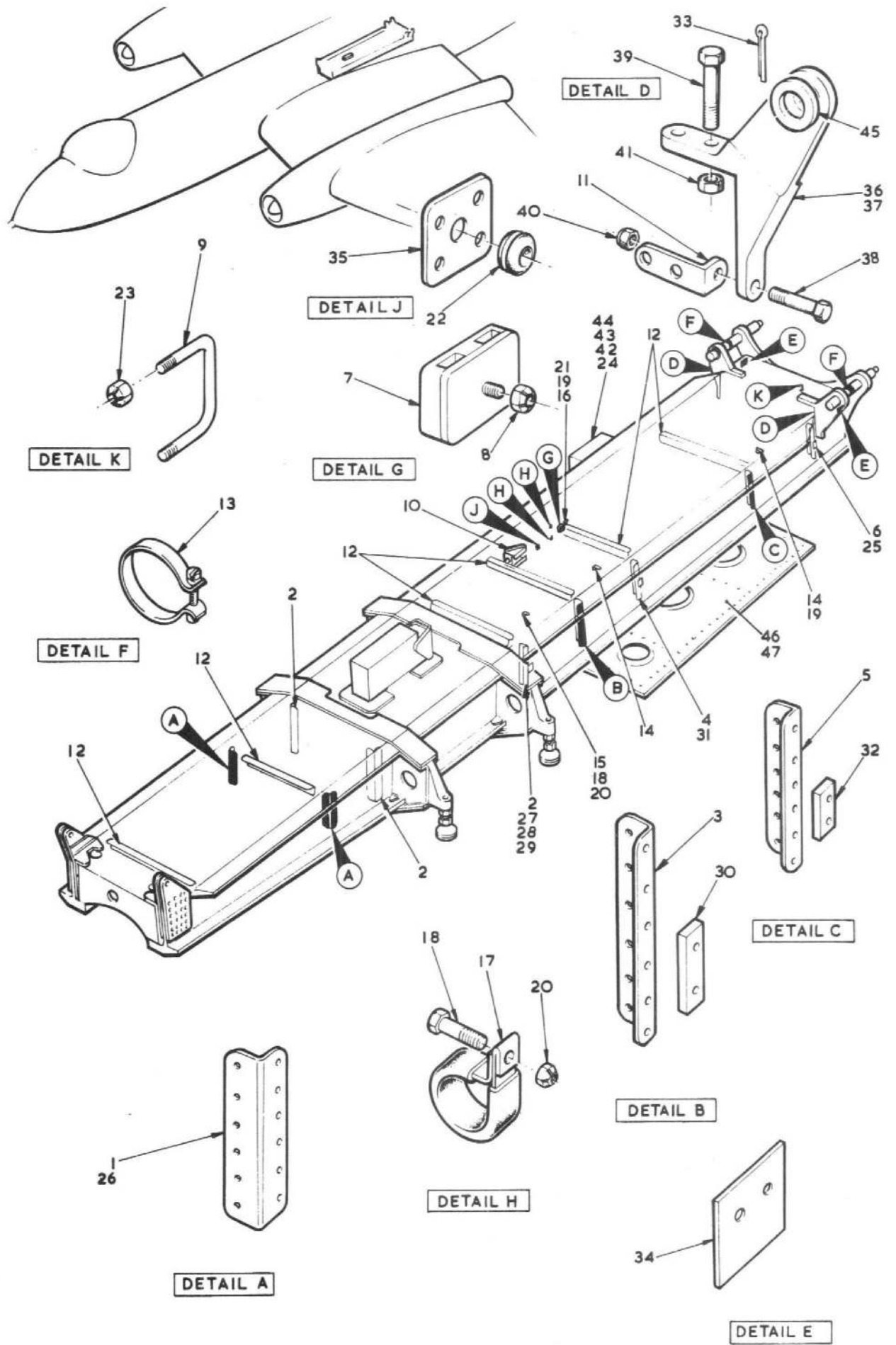


FIG. 4. FLARE GEAR

This file was downloaded  
from the RTFM Library.

Link: [www.scottbouch.com/rtfm](http://www.scottbouch.com/rtfm)

Please see site for usage terms,  
and more aircraft documents.

