

## ENGINE CONTROLS IN CENTRE FUSELAGE

Part Number	Description	No. Off	Matl. Spec.	Plate No.
EA2.47.5	CONTROLS, ENGINE IN CENTRE FUSELAGE Spares for:—	—	—	
EEAS12	. BOLT, special	18	S11	CA1/1
EA2.47.9	. CONTROLS AT FRAME 13, ASSEMBLY Spares for:—	—	—	
EA2.47.171	. . BOLT, special	2	S11	CA1/2
EEAS12	. . BOLT, special	8	S11	CA1/3
EA2.47.199	. . LEVER, assembly (Pre—Mod 5028)	2	—	CA1/4
EA2.47.321	. . LEVER, assembly (Mod 5028)	2	—	
EA2.47.201	. . LEVER, assembly (Pre—Mod 5028)	2	—	CA1/5
EA2.47.323	. . LEVER, assembly (Mod 5028)	2	—	
A27CS	. . NUT, slotted 2BA	8	—	CA1/5A
A27ES	. . NUT, slotted 1/4" BSF	2	—	CA1/5B
SP90C8	. . PIN, split 1/16" dia	10	—	CA1/5C
EA2.47.189	. . ROD, control throttle and shut-off cock, R.H.	4	—	CA1/6
EA2.47.191	. . ROD, control throttle and shut-off cock, R.H. (Pre—Mod 5028)	2	—	CA1/7
EA2.47.319	. . ROD, control throttle and shut-off cock, R.H. (Mod 5028)	2	—	
SP15C	. . WASHER	16	—	CA1/7A
SP16C	. . WASHER	8	—	CA1/7B
SP15E	. . WASHER	4	—	CA1/7C
SP16E	. . WASHER	2	—	CA1/7D
EA2.47.89	. FAIRLEAD Attaching parts for EA2.47.89:—	1	—	CA1/7E
A25/11C	. Bolt, 2BA	2	—	CA1/7F
AGS2001C1/66	. Nut, 2BA	2	—	CA1/7G
EA2.47.125	. FAIRLEAD Attaching parts for EA2.47.125:—	1	—	CA1/7H
A25/8C	. Bolt, 2BA	2	—	CA1/7J
AGS2001C1/66	. Nut, 2BA	2	—	CA1/7K
EA2.47.87	. FAIRLEAD Attaching parts for EA2.47.87:—	1	—	CA1/7L
A25/12C	. Bolt, 2BA	2	—	CA1/7M
AGS2001C1/66	. Nut, 2BA	2	—	CA1/7N
SP47C	. Washer	2	—	CA1/ 7P
EA2.47.129	. FAIRLEAD Attaching parts for EA2.47.129:—	1	—	CA1/7R
A25/11C	. Bolt, 2BA	2	—	CA1/7S
AGS2001C1/66	. Nut, 2BA	2	—	CA1/7T
EA2.47.91	. FAIRLEAD Attaching parts for EA2.97.91:—	1	—	CA1/7U
A25/10C	. Bolt, 2BA	2	—	CA1/7V
AGS2001C1/66	. Nut, 2BA	2	—	CA1/7W
EA2.47.93	. FAIRLEAD Attaching parts for EA2.47.93:—	1	—	CA1/7X
A25/11C	. Bolt, 2BA	2	—	CA1/7Y
AGS2001C1/66	. Nut, 2BA	2	—	CA1/7Z

## ENGINE CONTROLS IN CENTRE FUSELAGE

Part Number	Description	No. Off	Matl. Spec.	Plate No.	
					1
EA2.47.37	. LEVERS, TRANSITION GROUP, L.H. (PRE-MOD 5028)	1	-	CA1/8	
EA2.47.309	. LEVERS, TRANSITION GROUP, L.H. (MOD 5028) Spares for:-	1	-		
HOFFMANN CJO	. . . BEARING, spherical	2	-	CA1/8A	
EA3.47.151	. . . EYE-END, ASSEMBLY (PRE-MOD 5028)	2	-	CA1/9	
EA3.47.123	. . . EYE-END, ASSEMBLY (MOD 5028) Consisting of:-	2	-		
HOFFMANN CJO	. . . BEARING, spherical	1	-	CA1/10	
EA1.47.533	. . . EYE-END (Pre-Mod 5028)	1	-	CA1/11	
EA3.47.135	. . . EYE-END (Mod 5028)	1	-		
A27JT	. . NUT, thin $\frac{3}{8}$ " BSF	2	-	CA1/11A	
EA2.47.38	. LEVERS, TRANSITION GROUP, R.H. (PRE-MOD 5028)	1	-	CA1/11B	
EA2.47.310	. LEVERS, TRANSITION GROUP, R.H. (MOD 5028) Spares for:-	1	-		
HOFFMANN CJO	. . BEARING, spherical	2	-	CA1/12	
EA3.47.151	. . EYE-END, ASSEMBLY (PRE-MOD 5028)	2	-	CA1/13	
EA3.47.123	. . EYE-END, ASSEMBLY (MOD 5028) Consisting of:-	2	-		
HOFFMANN CJO	. . . BEARING, spherical	1	-	CA1/14	
EA1.47.533	. . . EYE-END (Pre-Mod 5028)	1	-	CA1/15	
EA3.47.135	. . . EYE-END (Mod 5028)	1	-		
A27JT	. . NUT, thin $\frac{3}{8}$ " BSF	2	-	CA1/15A	
A27CP	. NUT, 2BA	18	-	CA1/15B	
SP90C8	. PIN, split $\frac{1}{16}$ " dia	18	-	CA1/15C	
EA2.47.67	. ROD, CONTROL, THROTTLE AND SHUT-OFF COCK L.H. (PRE-MOD 5028)	2	-	CA1/16	
EA2.47.311	. ROD, CONTROL, THROTTLE AND SHUT-OFF COCK L.H. (MOD 5028)	2	-		
EA2.47.69	. ROD, CONTROL, THROTTLE AND SHUT-OFF COCK R.H. (PRE-MOD 2619)	2	-		
EB7.47.79	. ROD, CONTROL, THROTTLE AND SHUT-OFF COCK R.H. (MOD 2619) (PRE-MOD 5028)	2	-	CA1/17	
EB7.47.91	. ROD, CONTROL, THROTTLE AND SHUT-OFF COCK R.H. (MOD 5028) Spares for:-	2	-		
EA3.47.53	. . FORK-END, adjustable	1	-	CA1/17A	
A27JT	. . NUT, thin $\frac{3}{8}$ " BSF	1	-	CA1/17B	
EA2.47.75	. ROD, CONTROL, THROTTLE AND SHUT-OFF COCK L.H. AND R.H. (PRE-MOD 2619)	6	-		
EB7.47.81	. ROD, CONTROL, THROTTLE AND SHUT-OFF COCK L.H. AND R.H. (MOD 2619) (PRE-MOD 5028)	6	-	CA1/18	
EB7.47.93	. ROD, CONTROL, THROTTLE AND SHUT-OFF COCK L.H. AND R.H. (MOD 5028) Spares for:-	6	-		
EA3.47.53	. . FORK-END, adjustable	1	-	CA1/17A	
A27JT	. . NUT, thin $\frac{3}{8}$ " BSF	1	-	CA1/17B	
EA2.47.77	. ROD, control, throttle and shut-off L.H. and R.H.	4	-	CA1/19	
EA2.47.83	. ROD, control, throttle and shut-off cock L.H. (Pre-Mod 5028)	2	-	CA1/20	
EA2.47.317	. ROD, control throttle and shut-off cock L.H. (Mod 5028)	2	-		
SP15C	. WASHER	36	-	CA1/21	
SP16C	. WASHER	18	-	CA1/22	

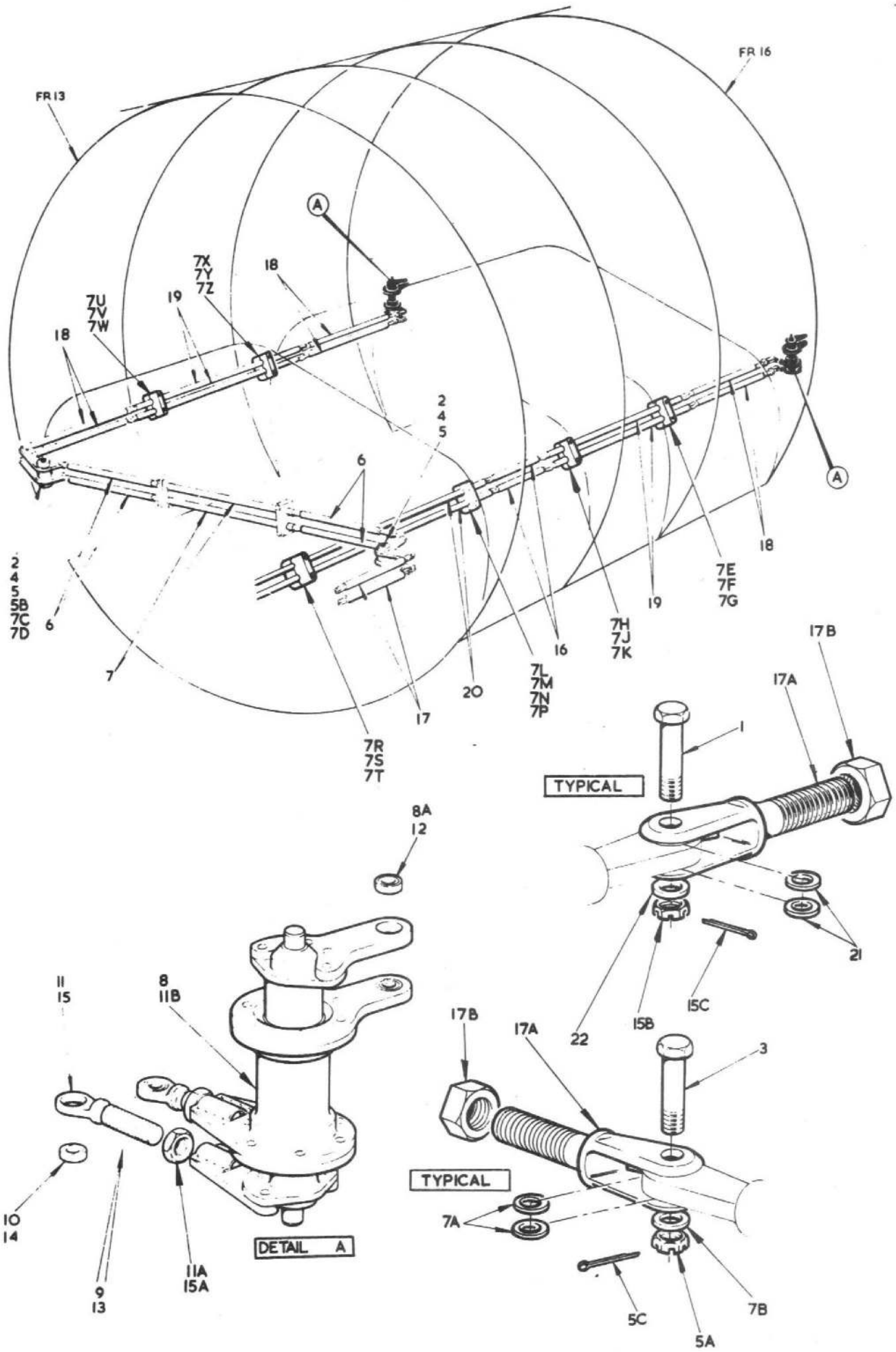


FIG.1 ENGINE CONTROLS IN CENTRE FUSELAGE

CODE T

SECT CA

This file was downloaded  
from the RTFM Library.

Link: [www.scottbouch.com/rtfm](http://www.scottbouch.com/rtfm)

Please see site for usage terms,  
and more aircraft documents.

