

CONTROLS

ENGINE CONTROLS IN NOSE FUSELAGE

Ref. No.	Part No.	Description	No. off	Matl. Spec.	Cl. of Equip M.R. L.M.	Plate No.
	EB7.47.3	CONTROLS, ENGINE IN NOSE FUSELAGE ASSEMBLY Spares for:—	—	—	—	CB1/1
8551	EB7.47.27	. ANGLE	1	—	C	CB1/2
27K/589	TELEFLEX B31132	. BLOCK, conduit clamp Attaching parts for B31132:—	20	—	C	CB1/3
28D/9133013	A25/5C	. Bolt, 2BA (at frames 5, 6, 7, 8, 10 & 11)	2	—	C	CB1/4
28D/7002428	A25/6C	. Bolt, 2BA (at frame 4)	2	—	C	CB1/5
28D/1010030	A25/7C	. Bolt, 2BA (at frame 11)	2	—	C	CB1/6
28M/1012015	AGS2001C1/66	. Nut	2	—	C	CB1/7
27K/53	TELEFLEX B731A	. BLOCK, swivel mounting Attaching parts for B731A:—	4	—	B	CB1/8
28D/9435710	A25/11C	. Bolt, 2BA	8	—	C	CB1/9
28M/1012015	AGS2001C1/66	. Nut	8	—	C	CB1/10
16311	EA2.47.287	. BRACKET	1	—	C	CB1/11
1900	EA2.47.175	. CLAMP Attaching parts for EA2.47.175:—	4	—	C	CB1/12
28D/9133012	A25/3C	. Bolt, 2BA	8	—	C	CB1/13
28M/1012015	AGS2001C1/66	. Nut	8	—	C	CB1/14
	EA2.47.265	. CONTROLS, TELEFLEX, ASSEMBLY Spares for:—	—	—	—	CB1/15
1896	EA2.47.15	. CONTROLS, FUEL SHUT-OFF COCK PORT, ASSEMBLY Spares for:—	1	—	—	CB1/16
27K/977	TELEFLEX C17326R10	. . . CABLE and rod assembly	1	—	B	CB1/17
	EA2.47.203	. . . CONDUIT	1	—	B	CB1/18
	EA2.47.205	. . . CONDUIT	1	—	C	CB1/19
	EA2.47.207	. . . CONDUIT	1	—	C	CB1/20
27K/973	TELEFLEX B33350	. . . CONNECTOR, conduit	1	—	C	CB1/21
27K/761	B19554	. . . CONNECTOR, greaser	1	—	C	CB1/22
3496	EA2.47.261	. . . FORK-END	1	—	C	CB1/23
28M/1007403	A27ET	. . . NUT, locking	2	—	C	CB1/24
	TELEFLEX C24491	. . . SLIDER	1	—	C	CB1/25
	TELEFLEX A14980	. . . STRING	2	—	C	CB1/26
27K/560	TELEFLEX C24416	. . . SWIVEL	1	—	B	CB1/27
1898	EA2.47.19	. CONTROLS, FUEL SHUT-OFF COCK, STARBOARD, ASSEMBLY Spares for:—	1	—	B	CB1/28
	TELEFLEX C17326R9	. . . CABLE and rod, assembly	1	—	B	CB1/29
	EA2.47.271	. . . CONDUIT	1	—	C	CB1/30
	EA2.47.211	. . . CONDUIT	1	—	C	CB1/31
	EA2.47.217	. . . CONDUIT	1	—	C	CB1/32
27K/973	TELEFLEX B33350	. . . CONNECTOR, conduit	1	—	C	CB1/21
27K/761	B19554	. . . CONNECTOR, greaser	1	—	C	CB1/22
3496	EA2.47.261	. . . FORK-END	1	—	C	CB1/23
28M/1007403	A27ET	. . . NUT, locking	2	—	C	CB1/24

CONTROLS

AP101B-0407-3A

ENGINE CONTROLS IN NOSE FUSELAGE

Ref. No.	Part No.	Description	1 2 3 4 5 6						No. off	Matl. Spec.	Cl. of Equip M.R. L.M.	Plate No.
27K/560 1897	TELEFLEX C24491 SLIDER						1	—	C	CB1/25	
	TELEFLEX A14980 STRING						2	—	C	CB1/26	
	TELEFLEX C24416 SWIVEL						1	—	B	CB1/33	
	EA2.47.17	. . . CONTROLS, ENGINE THROTTLE, PORT, ASSEMBLY						1	—	B	CB1/33	
			Spares for:—									
		TELEFLEX C17326R9 CABLE and rod assembly						1	—	B	CB1/29
		EA2.47.267 CONDUIT						1	—	C	CB1/34
		EA2.47.269 CONDUIT						1	—	C	CB1/35
		EA2.47.209 CONDUIT						1	—	C	CB1/36
	27K/973	TELEFLEX B33350 CONNECTOR, conduit						1	—	C	CB1/21
27K/761	TELEFLEX B19554 CONNECTOR, greaser						1	—	C	CB1/22	
3496 28M/1007403	TELEFLEX EA2.47.261 FORK-END						1	—	C	CB1/23	
	A27ET NUT, locking						2	—	C	CB1/24	
27K/560 1899	TELEFLEX C24491 SLIDER						1	—	C	CB1/25	
	TELEFLEX A14980 STRING						2	—	C	CB1/26	
	TELEFLEX C24416 SWIVEL						1	—	B	CB1/27	
	EA2.47.21	. . . CONTROLS, ENGINE THROTTLE, STARBOARD, ASSEMBLY						1	—	B	CB1/37	
			Spares for:—									
		TELEFLEX C17326R9 CABLE and rod assembly						1	—	B	CB1/29
		EA2.47.213 CONDUIT						1	—	C	CB1/38
		EA2.47.273 CONDUIT						1	—	C	CB1/39
		EA2.47.275 CONDUIT						1	—	C	CB1/40
	27K/973	TELEFLEX B33350 CONNECTOR, conduit						1	—	C	CB1/21
27K/761 3496 28M/1007403	TELEFLEX B19554 CONNECTOR, greaser						1	—	C	CB1/22	
	EA2.47.261 FORK-END						1	—	C	CB1/23	
27K/560	A27ET NUT, locking						2	—	C	CB1/24	
	TELEFLEX C24491 SLIDER						1	—	C	CB1/25	
	TELEFLEX A14980 STRING						2	—	C	CB1/26	
	TELEFLEX C24416 SWIVEL						1	—	B	CB1/27	
			Attaching parts for EA2.47.15, EA2.47.19, EA2.47.17 and EA2.47.21:—									
	28N/9153393 28P/4434368 28P/9527619	AGS899/4	. . . Collar						4	—	C	CB1/41
		SP4YD9	. . . Pin						4	—	C	CB1/42
		SP90C7	. . . Pin, split						4	—	C	CB1/43
	28M/1012015 28W/9419475	EB7.80.1205	. FAIRLEAD, half						1	—	C	CB1/44
			Attaching parts for EB7.80.1205:—									
AGS2001C1/66		. Nut						3	—	C	CB1/45	
16309	SP15C	. Washer						3	—	C	CB1/46	
28D/9140645 28M/9403520	EA2.47.235	. FAIRLEAD, half						2	—	C	CB1/47	
		Attaching parts for EA2.47.235:—										
	A25/10C	. Bolt, 2BA						2	—	C	CB1/48	
	A27CP	. Nut, 2BA						2	—	C	CB1/49	

CONTROLS
ENGINE CONTROLS IN NOSE FUSELAGE

Part Number	Description	No. Off	Mati. Spec.	Plate No.
Z1839	. GROMMET, rubber	4	—	CB1/50
EA2.47.245	. LINK, CONTROL, STARBOARD GROUP (Pre-Mod 5028)	2	—	CB1/70
EA2.47.355	. LINK, CONTROL, STARBOARD GROUP (Mod 5028) Spares for:—	2	—	CB1/70A
HOFFMANN CJO	. . BEARING, spherical	2	—	CB1/71
EA2.47.249	. . LINK (Pre-Mod 5028)	1	—	CB1/72
EA2.47.353	. . LINK (Mod 5028)	1	—	CB1/72A
EB7.47.71	. MOUNTING, THROTTLE BOX ASSEMBLY Spares for:—	—	—	CB2/1
EB7.47.17	. . BOX CONTROL, ENGINE THROTTLE ASSEMBLY PRE-MOD 1782)	1	—	CB2/2
EB7.47.29	. . BOX CONTROL, ENGINE THROTTLE ASSEMBLY (MOD 1782) Spares for:—	1	—	
EB7.81.1589	. . . BRACKET, assembly Attaching parts for EB7.81.1589:—	1	L72	CB2/3
A25/1B	. . . Bolt, 4BA	2	—	CB2/4
AGS2001B1	. . . Nut, 4BA	2	—	CB2/5
EA1.47.165	. . . BRACKET, switch Attaching parts for EA1.47.165:—	1	L72	CB2/6
A25/2B	. . . Bolt, 4BA	4	—	CB2/7
AGS2001B1	. . . Nut, 4BA	4	—	CB2/8
SP15B	. . . Washer, 4BA	4	—	CB2/9
EA1.47.173	. . . BUSH, tapped	1	DTD126A	CB2/10
EA1.47.293	. . . BUSH, tapped	1	DTD126A	CB2/11
DUPREN 6	. . . CABLE, dupren 6	1'6"	—	CB1/51
UNINYVIN 22	. . . CABLE, uninyvin 22	3'0"	—	CB1/52
EA1.47.137	. . . CASTING, throttle, box	1	Mag Alloy	CB2/12
AS3180/11B	. . . CLIP Attaching parts for AS3180/11B:—	1	—	CB2/17
AGS2001B1	. . . Nut, 4BA	1	—	CB2/18
A31B12	. . . Screw, 4BA cheese head	1	—	CB2/19
DURAWIRE 'S'	. . . CONDUCTOR, insulated, flex, PVC	9'0"	—	CB1/53
EEAS111/4	. . . FERRULE	1	L59	CB1/54
508-2-07707-200	. . . GASKET, outlet	1	—	CB1/55
EA1.47.157	. . . KNOB, throttle locking	1	L40	CB2/25
EA1.47.159	. . . KNOB, cock locking	1	L40	CB2/26
EA3.81.1971	. . . KNOB (red)	1	DTD683	CB2/27
EA3.81.1972	. . . KNOB (green) Attaching parts for EA3.81.1971 & EA3.81.1972:—	1	DTD683	CB2/28
A33B16	. . . Screw, 4BA, csk. head	1	—	CB2/29
A33C20	. . . Screw, 2BA, csk. head	1	—	CB2/30
AS1908C	. . . KNOB (red) Attaching parts for AS1908C:—	1	—	CB2/31
A27CT	. . . Nut, 2BA, thin	1	—	CB2/32
A33C28	. . . Screw, 2BA, csk. head	1	—	CB2/33
AS1908B	. . . KNOB (green) Attaching parts for AS1908B:—	1	—	CB2/20
A27CT	. . . Nut, 2BA, thin	1	—	CB2/21
A33C28	. . . Screw, 2BA, csk. head	1	—	CB2/22
EA3.47.78	. . . LEVER, throttle assembly (Pre-Mod 5028)	1	—	CB2/34
EA3.47.138	. . . LEVER, throttle assembly (Mod 5028)	1	—	
EA3.47.77	. . . LEVER, throttle assembly (Pre-Mod 5028)	1	—	CB2/35
EA3.47.137	. . . LEVER, throttle assembly (Mod 5028)	1	—	
EA3.47.99	. . . LEVER, cock assembly (Pre-Mod 5028)	1	—	CB2/36
EA3.47.139	. . . LEVER, cock assembly (Mod 5028)	1	—	
EA3.47.100	. . . LEVER, cock assembly (Pre-Mod 5028)	1	—	CB2/37
EA3.47.140	. . . LEVER, cock assembly (Mod 5028)	1	—	
A27NP	. . . NUT 1/2" BSF	1	—	CB2/38

CONTROLS
ENGINE CONTROLS IN NOSE FUSELAGE

Part Number	Description	No. Off	Matl. Spec.	Plate No.
A27CP	. . . NUT, 2BA, for lever stop screw	8	—	CB2/39
508-1-07627-003	. . . OUTLET, straight	1	—	CB1/56
EA1.47.295	. . . PIN, cock lever clamp	1	L40	CB2/40
EA1.47.297	. . . PIN, throttle lever clamp	1	L40	CB2/41
SP90E8	. . . PIN, split, 3/32" dia	1	—	CB2/42
EA3.47.87	. . . PLATE, reaction	1	DTD124	CB2/43
EA3.47.101	. . . PLATE, reaction	1	—	CB2/44
	Attaching parts for EA3.47.87, EA3.47.91, EA3.47.93 and EA3.47.101:—			
A25/1B	. . . Bolt, 4BA	1	—	CB2/45
AGS2001B1	. . . Nut, 4BA	1	—	CB2/46
SP15B	. . . Washer, 4BA	1	—	CB2/47
EA3.47.91	. . . PLATE, reaction	1	—	CB2/48
EA3.47.93	. . . PLATE, reaction	1	DTD124	CB2/49
EA1.47.303	. . . PLATE, guard assembly	1	—	CB2/50
	Attaching parts for EA1.47.303:—			
A32B16	. . . Screw, 4BA, round head	3	—	CB2/51
A32B8	. . . Screw, 4BA, round head	6	—	CB2/52
SP47B	. . . Washer, 4BA, single spring	9	—	CB2/53
EA3.47.145	. . . PLATE	1	—	CB2/54
	Attaching parts for EA3.47.145:—			
AS1242/4B	. . . Bolt, 4BA, csk. head	1	—	CB2/55
AGS2002B1	. . . Nut, 4BA	1	—	CB2/56
SP13B	. . . Washer, 4BA	1	—	CB2/57
EA3.81.1997	. . . PLATE, protective	2	L72	CB2/58
	Attaching parts for EA3.81.1997:—			
A44Z8	. . . Screw, 8BA, round head	3	—	CB2/59
BARBER & COLEMAN 1202	. . . Washer, 8BA	3	—	CB2/60
508-1-40036-320	. . . PLUG, Mk. 4 25 way	1	—	CB1/57
508-1-11778-003	. . . RING, clamping	1	—	CB1/58
508-2-07713-200	. . . RING, sealing	1	—	CB1/59
A32C28	. . . SCREW, 2BA, stop for levers	6	—	CB2/61
A32C40	. . . SCREW, 2BA, stop for levers	2	—	CB2/62
EA3.47.85	. . . SHIM	QR	Lam Alum	CB2/63
EA3.47.103	. . . SHIM	QR	Lam Alum	CB2/64
EA3.81.1995	. . . SLEEVE	2	LPT56	CB2/65
EEAS146A0.75	. . . SLEEVE yellow	20	—	CB1/60
EEAS146C1.0	. . . SLEEVE yellow	1	—	CB1/61
EEAS146L0.75	. . . SLEEVE pink	1	—	CB1/62
DOWTY C5162YMk.2	. . . SWITCH, push button	1	—	CB2/66
	Attaching parts for C5162YMk. 2:—			
A43Z10	. . . Screw, 8BA, cheese head	2	—	CB2/67
BARBER & COLEMAN 1202	. . . Washer, 8BA, shakeproof	2	—	CB2/68

AP101B-0407-3A

CONTROLS

ENGINE CONTROLS IN NOSE FUSELAGE

Part Number	Description	No. Off	Matl. Spec.	Plate No.
R MS5752	. . . SWITCH, micro (Mod 5262) Attaching parts for 1HY1 and MS5752	1	—	CB2/69
A25/8B	. . . Bolt, 4BA, hex. head	2	—	CB2/70
AGS2001B1	. . . Nut, 4BA	2	—	CB2/71
SP15B	. . . Washer, 4BA	2	—	CB2/72
EA3.47.83	. . . TUBE, bearing	1	T4	CB2/73
EA3.47.89	. . . WASHER, friction	2	Ferodo FF	CB2/74
EA3.47.81	. . . WASHER, friction	2	Ferodo FF	CB2/75
SP15N	. . . WASHER, 0.5" i/d	1	—	CB2/76
A27CS	. NUT, 2BA	14	—	CB1/73
EA2.47.233	. PACKING	1	—	CB1/69
SP90C7	. PIN, split	14	—	CB1/74
EA2.47.73	. ROD, control, throttle and shut-off cock port and starboard	4	—	CB1/75
EA2.47.79	. ROD, control, throttle and shut-off cock starboard	2	—	CB1/76
EA2.47.243	. ROD, control, throttle and shut-off cock port (Pre-Mod 5028)	2	—	CB1/77
EA2.47.357	. ROD, control, throttle and shut-off cock port (Mod 5028)	2	—	CB1/77A
SP15C	. WASHER, 2BA	14	—	CB1/78
SP16C	. WASHER, 2BA	14	—	CB1/79

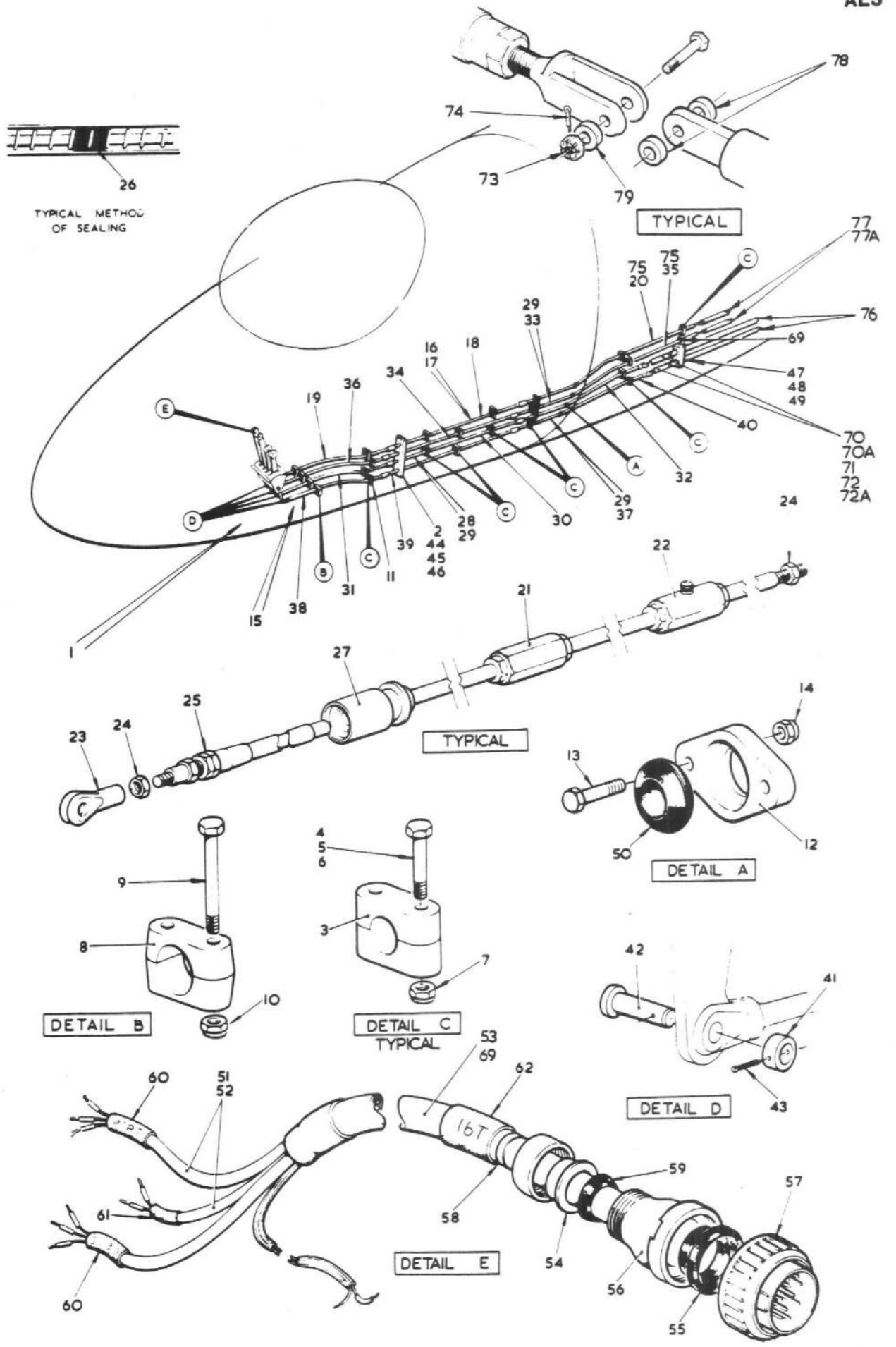


FIG.1 ENGINE CONTROLS IN NOSE FUSELAGE

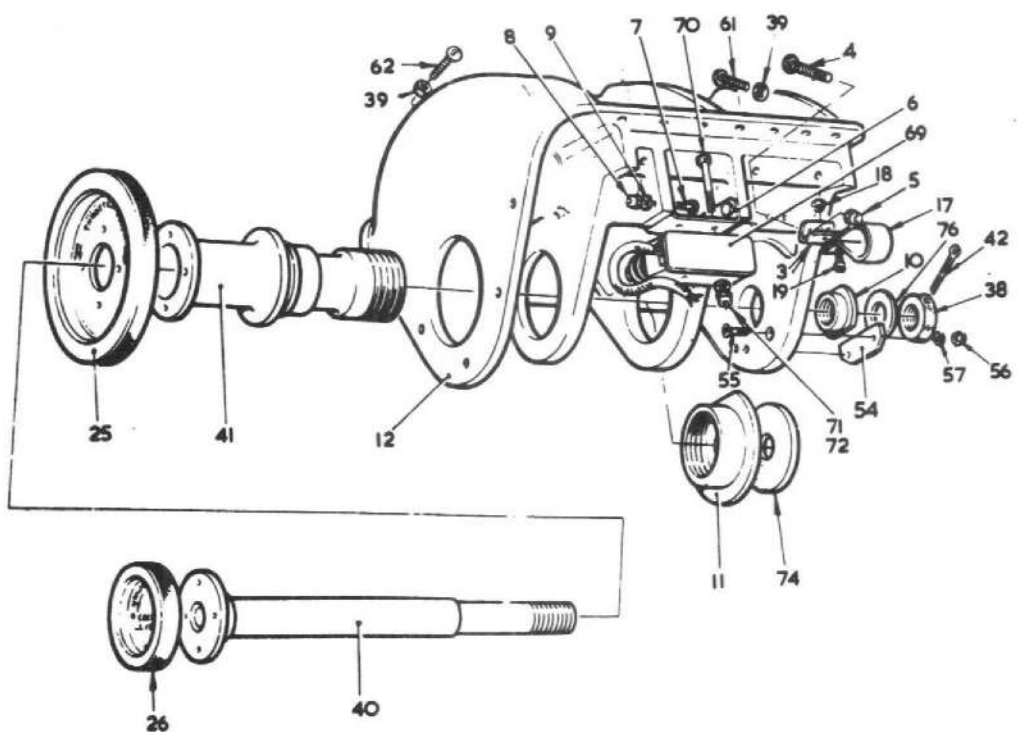
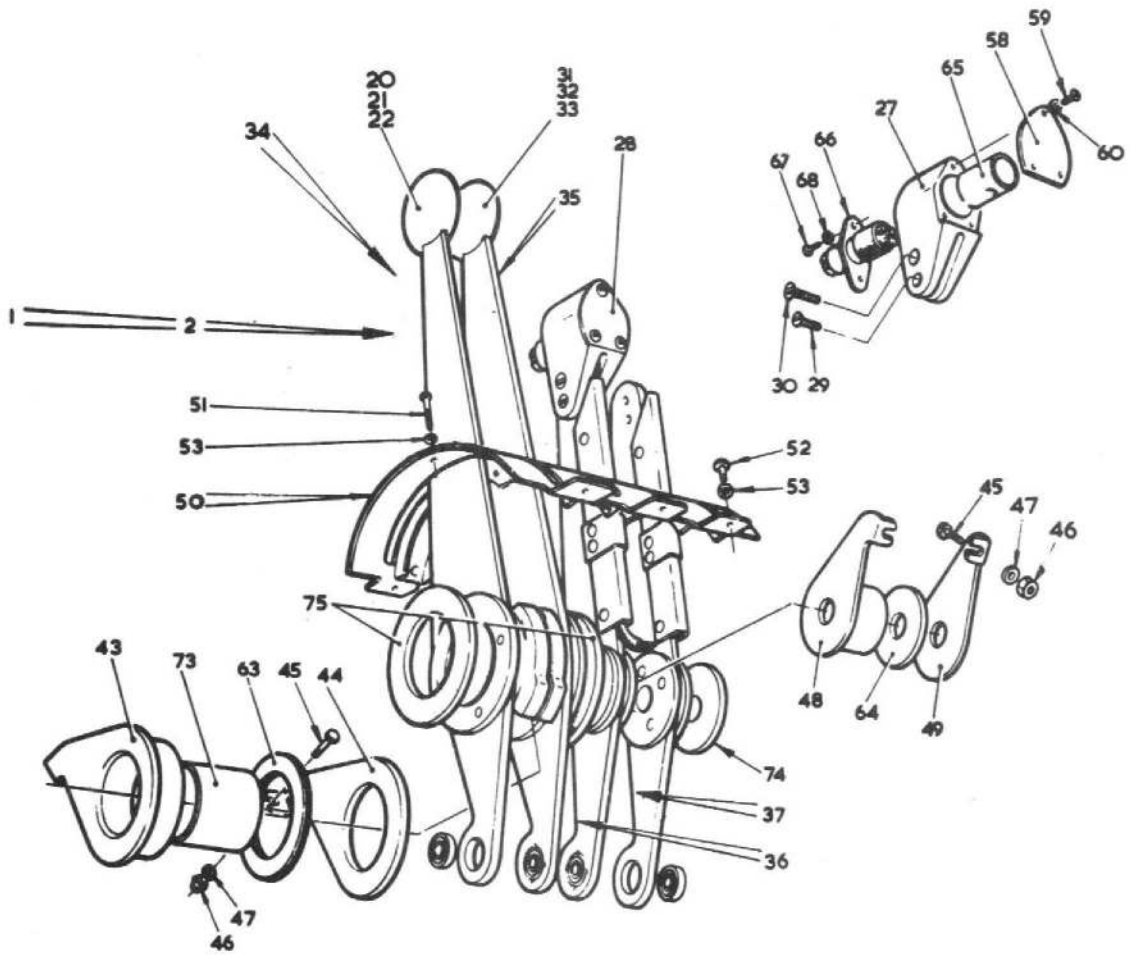


FIG2 ENGINE CONTROLS IN NOSE FUSELAGE
 CODE T

This file was downloaded
from the RTFM Library.

Link: www.scottbouch.com/rtfm

Please see site for usage terms,
and more aircraft documents.

