

CONTROLS
FLYING CONTROLS IN COCKPIT

Part Number	Description						No. Off	Matl. Spec.	Plate No.
	1	2	3	4	5	6			
EB7.45.3	CONTROLS, FLYING, IN COCKPIT, ASSEMBLY						1	—	DA1/1
EB7.45.7	Spares for:— CONTROLS AND ATTACHMENTS ON PILOT'S FLOOR ASSEMBLY						1	—	DA1/2
EA3.45.247	Spares for:— AILERON, BIAS ASSEMBLY						1	—	DA4/1
E.E. CO. LTD BRADFORD 5W4520730	Spares for:— ACTUATOR, linear, type 259						1	—	DA4/2
EA6.45.345	Attaching parts for Ref 5W/4520730:—								
A25/3E	Bolt, shouldered, at angle end						1	S92	DA4/3
A27ES	Bolt, 1/4" BSF at lever end						1	—	DA4/4
SP90C7	Nut, slotted, 1/4" BSF						2	—	DA4/5
	Pin split, 1/16" dia						2	—	DA4/6
EA6.45.337	ANGLE						1	L72	DA4/7
EA6.45.338	ANGLE						1	L72	DA4/8
	Attaching parts for EA6.45.337 and EA6.45.338:—								
A25/2C	Bolt, 2BA						2	—	DA4/9
A25/1C	Bolt, 2BA						4	—	DA4/10
AGS2001C1/66	Nut, stiff, 2BA						6	—	DA4/11
SP13C	Washer						4	—	DA4/12
AGS899/4	COLLAR						1	—	DA4/12A
SP4Y/D5	PIN, 1/4" dia						1	—	DA4/12B
SP90C5	PIN, split, 1/16" dia						1	—	DA4/12C
SP8Y16	ROLLER						1	—	DA4/13
EA6.45.335	TUBE, torque and levers, assembly						1	—	DA4/14
	Attaching parts for EA6.45.335:—								
EA6.45.343	Bolt, shouldered						1	S92	DA4/15
EA6.45.341	Bush, oilite						2	—	DA4/16
A27ES	Nut, slotted, 1/4" BSF						1	—	DA4/17
SP90C7	Pin, split, 1/16" dia						1	—	DA4/18
SP42G	Washer						1	—	DA4/19

CONTROLS
FLYING CONTROLS IN COCKPIT

Part Number	Description	No. Off	Matl. Spec.	Plate No.
				1 2 3 4 5 6
EB7.45.69	. . . COLUMN, CONTROL, PILOT'S ASSEMBLY (PRE-MOD 4705) (For Aircraft Not Embodying Mod 5099)	1	-	DA2/1
EB7.45.143	. . . COLUMN, CONTROL, PILOT'S ASSEMBLY (MOD 4705) (PRE-MOD 5094) (For Aircraft Not Embodying Mod 5099)	1	-	
EB7.45.107	. . . COLUMN, CONTROL, PILOT'S ASSEMBLY (MOD 5094) (For Aircraft Embodying Mod 5099) Spares for:-	1	-	
HOFFMAN T17	. . . BEARING, ballrace aileron control	1	-	DA3/1
HOFFMAN T25	. . . BEARING, ballrace pilot's hand grip	1	-	DA3/2
EA6.45.291	. . . BLOCK, brake cable adjusting Attaching parts for EA6.45.291:-	1	DTD683	DA2/2
AS1242/8C	. . . Bolt, csk. head, 2BA	1	-	DA2/3
A27CS	. . . Nut, slotted, 2BA	1	-	DA2/4
SP90C8	. . . Pin split $\frac{1}{16}$ " dia	1	-	DA2/5
A33C24	. . . Screw, csk. head, 2BA	2	-	DA2/6
SP15C	. . . Washer	1	-	DA2/7
EA1.45.1153	. . . BOLT, special control and elevator control mounting	1	S96	
AS1248-1-2G	. . . BOLT, mush. head	2	-	DA3/2B
EA1.45.107	. . . BUSH, main bearing attached to bottom casting	1	L40	DA2/8
EB7.81.1165	. . . CABLE RT25, assembly	1	-	DA3/2A
EA3.45.473	. . . CABLE, brake Attaching parts for EA3.45.473:-	1	-	DA33
AGS899/2	. . . Collar	1	-	DA3/4
SP4Y/B9	. . . Pin, shackle	1	-	DA3/5
SP90C7	. . . Pin, split $\frac{1}{16}$ " dia	1	-	DA3/6
EB7.45.71	. . . COLUMN, CONTROL, SUB-ASSEMBLY Spares for:-	1	-	DA3/7
EA6.45.247	. . . CASTING, top	1	DTD300	DA3/8
EB7.45.73	. . . DUCT, cable	1	L72	
EA1.45.1021	. . . TUBE, $2\frac{1}{4}$ " o/d x 20 SWG	1	T45	DA3/9
EA1.45.91	. . . YOKE, bottom casting	1	DTD300	DA3/10
EA1.45.125	. . . CONTROL, ELEVATOR, SUB-ASSEMBLY (PRE-MOD 4705)	1	-	DA2/9
EA3.45.539	. . . CONTROL, ELEVATOR, SUB-ASSEMBLY (MOD 4705) Spares for:-	1	-	
2A9500426	. . . BEARING, ballrace	1	-	DA2/10
EA1.45.177	. . . DIAPHRAGM, ballrace housing mounting	1	-	DA2/11
EA1.45.175	. . . HOUSING, ballrace Attaching parts for EA1.45.175:-	1	L45	DA2/12
AS1242/3C	. . . Bolt, csk. head, 2BA	8	-	DA2/13
A27CS	. . . Nut, slotted 2BA	8	-	DA2/14
SP90C5	. . . Pin, split, $\frac{1}{16}$ " dia	8	-	DA2/15
SP15C	. . . Washer	8	-	DA2/16

R

CONTROLS

FLYING CONTROLS IN COCKPIT

Ref. No.	Part No.	Description	1 2 3 4 5 6						No. off	Matl. Spec.	Cl. of Equip M.R. L.M.	Plate No.
74	EA1.45.133 LEVER, OPERATING, ELEVATOR ASSEMBLY (PRE—MOD 4705)						1	—	B	DA2/17	
1439312	EA3.45.523 LEVER, OPERATING, ELEVATOR ASSEMBLY (MOD 4705) Consisting of:—						1	—	B		
2A/9500643	SKEFKO											
75	CBA2 BALLRACE						1	—	B	DA2/18	
	EEAS3D HOUSING, ballrace						1	L65	C	DA2/19	
	EA1.45.603 LEVER (Pre—Mod 4705)						1	L65	—	DA2/20	
	EA3.45.519 LEVER (Mod 4705)						1	L65	—		
92	EEAS4/20C WASHER, packing Attaching parts for EA1.45.133 or EA3.45.523:—						2	L72	C	DA2/21	
28D/1013178	AS1242/5E Bolt, csk. head 1/4" BSF						8	—	C	DA2/22	
28M/1011467	A27ES Nut, slotted, 1/4" BSF						8	—	C	DA2/23	
28P/9486478	SP90C5 Pin, split, 1/16" dia						8	—	C	DA2/24	
28W/9419487	SP16E Washer						8	—	C	DA2/25	
1095	EEAS37/14A NIPPLE, 2BA (Pre—Mod 4705)						12	S96	C		
1439238	EA3.45.515 RING, clamp (Mod 4705)						1	—	—	DA2/26	
1439239	EA3.45.517 RING, clamp (Mod 4705)						1	—	—	DA2/27	
	EA1.45.173 SLEEVE, lever mounting						1	L65	—	DA2/28	
6225	EA1.45.105 SOCKET, mounting, elevator control to control column						1	L65	C	DA2/29	
1571	EEAS38/2A SPOKE, 2BA (Pre—Mod 4705)						6	S96	C		
	EA1.45.171 TUBE, torque, connecting socket and lever, 2" o/d x 14 SWG Attaching parts for EA1.45.171:—						1	T4	—	DA2/30	
28D/1213439	A59/22G Bolt, 9/16" BSF						6	—	C	DA2/31	
28M/5808571	A27GS Nut, slotted 9/16" BSF						6	—	C	DA2/32	
28P/9527619	SP90C7 Pin, split, 1/16" dia						6	—	C	DA2/33	
28W/4670850	AS1903G16 Washer, saddle						12	—	C	DA2/34	
28W/9419488	SP16G Washer Attaching parts for EA1.45.125 or EA3.45.539:—						6	—	C	DA2/35	
1021	EA1.45.1153	. . . Bolt, special						1	S11	C	DA2/36	
28M/1011476	A27JS	. . . Nut, slotted, 3/8" BSF						1	—	C	DA2/37	
28P/9527619	SP90C7	. . . Pin, split, 1/16" dia						1	—	C	DA2/38	
77	EA1.45.1025	. . . FORK-END, control column Attaching parts for EA1.45.1025:—						1	S11	C	DA3/11	
1572	EEAS37/1A	. . . Nipple						4	S96	C	DA3/12	
1570	EEAS.38/1A	. . . Spoke						2	S96	C	DA3/13	
1135	EA6.45.267	. . . GEAR, bevel						1	S96	—	DA3/14	
5K/9144677	SP40A4	. . . GROMMET						3	—	C	DA3/14A	
21214	EA6.45.265	. . . HOUSING, control column Attaching parts for EA6.45.265:—						1	S11	C	DA3/15	
28D/1212792	AS1248/8C	. . . Bolt, mush. head, 2BA						3	—	C	DA3/41	
28M/9433473	AGS2002C1	. . . Nut, locking						3	—	C	DA3/42	

CONTROLS

FLYING CONTROLS IN COCKPIT

AL.10

Page DA. 6

CONTROLS

AP101B-0407-3A

FLYING CONTROLS IN COCKPIT

Part Number	1 2 3 4 5 6	Description	No. Off	Matl. Spec.	Plate No.
EA1.45.961	LEVER, AILERON OPERATING ASSEMBLY Consisting of:—	1	—	DA2/47
SKEFKO					
CBA2	BEARING, ballrace	1	—	DA2/48
AGS798E	EYE-BOLT Attaching parts for AGS798E:—	1	—	DA2/49
EA1.45.483	Collar	1	L1	DA2/50
A27EP	Nut, 1/4" BSF	1	—	DA2/51
EEAS3D	HOUSING, ballrace	1	L40	DA2/52
EA1.45.959	LEVER, operating	1	DTD683	DA2/53
EEAS4/20C	WASHER, packing Attaching parts for EA1.45.961:—	2	L72	DA2/54
EA1.45.1033	Bolt, special	3	S11	DA2/55
AS1242/4C	Bolt, csk. head 2BA	1	—	DA2/56
A27CP	Nut, 2BA	4	—	DA2/57
SP15C	Washer, 2BA	1	—	DA2/58
EEAS37/1A	NIPPLE, (Pre—Mod 5094)	4	S96	DA2/59
A27CT	NUT, thin 2BA	2	—	DA2/60
EA1.45.103	SLEEVE, sprocket, mounting (Pre—Mod 5094)	1	L40	DA2/61
EA3.45.5099	SLEEVE, sprocket, mounting (Mod 5094) Attaching parts for EA3.45.5099:—	1	L65	
EA3.45.5103	Bolt, 2BA	2	S97	
A27CS	Nut, 2BA	2	—	
SP90C5	Pin, split	2	—	
EA3.45.5101	Washer, saddle	4	L65	
SP13C	Washer	2	—	
EEAS38/1A	SPOKE (Pre—Mod 5094)	2	S96	DA2/62
EA1.45.619	SPROCKET	1	L40	DA2/63
EA1.45.165	STUD, mounting	2	DTD126A	DA2/64
EA1.45.993	TUBE, distance, between sprocket and casting	1	T4	DA2/65
D10001	SWITCH, 3-way Attaching parts for D10001:—	1	—	DA3/53K
A40/B8	Screw, round head, 4BA	2	—	DA3/53L
AGS2035B	Washer, shakeproof	2	—	DA3/53M
EA1.45.971	TUBE, INNER, AILERON OPERATING ASSEMBLY	1	—	DA3/54
EA9.00.159	TUBE, INNER, AILERON OPERATING ASSEMBLY (Supplied with bevel gear EA6.45.267) Spares for:—	1	—	
HOFFMAN					
T29	BEARING, ballrace	1	—	DA3/55
EEAS37/13A	NIPPLE	4	S96	DA3/56
EA1.45.101	QUADRANT	1	—	DA3/56A
EEAS38/1A	SPOKE	2	S96	DA3/57
EA1.45.1023	TUBE, operating, 1 3/8" o/d x 14 SWG	1	T45	DA3/58
EA6.45.261	WASHER, special, locking plate compression spring retaining	1	DTD683	DA3/59
EA3.45.413	WASHER, special bevel gear, ball bearing thrust	1	Alum	DA3/60
SP47E	WASHER, spring	2	—	DA3/60A

CONTROLS
FLYING CONTROLS IN COCKPIT

Part Number	Description						No. Off	Mati. Spec.	Plate No.
	1	2	3	4	5	6			
EB7.45.129	WHEEL, PILOT'S CONTROL, ASSEMBLY (Mod 3535) Spares for:—					1	—	DA8/1
AC021077	CIRCLIP					1	—	DA8/2
EA3.81.351	CLAMP, assembly Attaching parts for EA3.81.351:—					2	—	DA8/3
A41B12	Screw, 4BA					1	—	DA8/4
A32A16	Screw, 6BA					2	—	DA8/5
AGS2035A	Washer					2	—	DA8/6
EB6.45.65	COVER, switch Attaching parts for EB6.45.65:—					1	—	DA8/7
A41B8	Screw, 4BA					2	—	DA8/8
EA6.45.243	COVER, switch (Pre Mod 5400) Attaching parts for EA6.45.243:—					1	—	DA8/9
AS1242-2B	Bolt, 4BA					2	—	DA8/10
EB6.45.57	MOUNTING, switch Attaching parts for EB6.45.57:—					1	—	DA8/11
AS4563-2B	Bolt, 4BA					2	—	DA8/12
EB7.45.127	PLATE, switch assembly Spares for:—					1	—	DA8/13
EB7.45.123	PLATE					1	—	DA8/14
HONEYWELL 12TW1-3	SWITCH, toggle (Pre—Mod 5196)					1	—	DA8/15
10F/9325304	SWITCH, push (C/Mod/Can/0172/BC) (Mod 5196) Attaching parts for EB7.45.127:—					1	—	
A41B8	Screw, 4BA					4	—	DA8/16
5F9143294	SLEEVE, P.V.C. 7mm x 0.5mm wall					QR	—	DA8/17
ACM26960	SWITCH, isolating, push button					1	—	DA8/18
AC14834-7	SWITCH, 2-way, tailplane trim					1	—	DA8/19
C1387	SWITCH, press to transmit (Pre—Mod 5400)					1	—	DA8/20
EA4.82.5375	SWITCH, press to transmit assembly (Mod 5400) Spares for:—					1	—	DA8/22
EG7.45.27	PIECE, distance					1	—	DA8/23
EG7.45.33	PLATE, cover Attaching parts for EG7.45.33:—					1	—	DA8/24
A33A8	Screw, 6BA, csk head					2	—	DA8/25
PAGE B1640H	SWITCH					1	—	DA8/26
EB7.45.95	WHEEL, hand					1	—	DA8/21
EA3.45.109	COVER, sealing, pilot's control column					1	—	DA1/3
EA1.45.661	MOUNTING, AILERON SERVO UNIT SUPPORT ASSEMBLY (Pre—Mod 2567) Spares for:—					1	—	DA4/20
HOFFMANN CS7	BEARING, ballrace					2	—	DA4/21
SMITHS LTD EAP364	GEAR, output					1	—	DA4/22
EA1.45.667	SHAFT, splined					1	S11	DA4/23
EA1.45.665	SPROCKET					1	L40	DA4/24
EA1.45.1149	NUT, special, servo mounting bracket					4	S11	DA4/25
EA2.45.403	PEDALS, PILOT'S RUDDER CONTROL BAR, ASSEMBLY (Pre Mod 5094) (For Aircraft Not Embodying Mod 5099)					1	—	DA6/1
EA2.45.803	PEDALS, PILOT'S RUDDER CONTROL BAR, ASSEMBLY (Mod 5094) (For Aircraft Embodying Mod 5099) Spares for:—					1	—	
EA3.45.57	BEARING, c/w housing and ballrace (Pre—Mod 5094)					1	—	DA6/2

R
R

FLYING CONTROLS IN COCKPIT

Part Number	Description	No. Off	Matl. Spec.	Plate No.
R EA3.45.5085	BEARING, ASSEMBLY, LOWER (Mod 5094) Spares for:—	1	—	
R HOFFMANN				
R T21	BEARING, ballrace	1	—	
R EA3.45.5087	HOUSING, bearing	1	L65	
	Attaching parts for EA3.45.5085:—			
R AS1242-3C	Bolt, 2BA	8	—	
R A27CS	Nut, 2BA	8	—	
R SP90C5	Pin, split	8	—	
R EA3.45.5089	Ring, clamp	1	L65	
R SP13C	Washer	8	—	
R EA3.45.457	CABLE, HYDRAULIC BRAKE CONTROL ASSEMBLY Spares for:—	1	—	DA5/1
EA3.45.461	BLOCK, pulley support Attaching parts for EA3.45.461:—	1	DTD683	DA5/2
EA3.45.465	Block, tapped	1	S92	DA5/3
EA3.45.467	Block, tapped	1	S92	DA5/4
A25-1C	Bolt, 2BA	4	—	DA5/5
A25-1-2B	Bolt, 4BA	1	—	DA5/13
SP13B	Washer, 4BA	1	—	DA5/23A
EA3.45.171	BRACKET, lower pulley and cable guard Attaching parts for EA3.45.171:—	1	—	DA5/6
A25-1C	Bolt, 2BA	2	—	DA5/7
A27CP	Nut, 2BA	2	—	DA5/8
EA3.45.173	BRACKET, upper pulley Attaching parts for EA3.45.173:—	1	L72	DA5/9
A25-1C	Bolt, 2BA	2	—	DA5/10
A27CP	Nut, 2BA	2	—	DA5/11
EA3.45.463	GUIDE, cable Attaching parts for EA3.45.463:—	1	S92	DA5/12
A25-4B	Bolt, 4BA	1	—	DA5/14
SP13B	Washer	1	—	DA5/15
EA3.45.459	PULLEY, assembly, at control column Attaching parts for EA3.45.459:—	1	—	DA5/16
A25-7E	Bolt, 1-4" BSF	1	—	DA5/17
EA3.45.469	Washer	2	—	DA5/18
AS111	PULLEY, at brake control valve Attaching parts for AS111:—	1	—	DA5/19
A25-5E	Bolt, 1-4" BSF	1	—	DA5/20
A27ES	Nut, slotted, 1-4" BSF	1	—	DA5/21
SP90C7	Pin, split	1	—	DA5/22
SP13E	Washer	1	—	DA5/23
AS924-66P	CHAIN, 0.375" pitch	1	—	DA6/3F
EA2.45.629	GUARD, chain Attaching parts for EA2.45.629:—	1	—	DA6/3G
A25-1C	Bolt, 2BA	5	—	DA6/3H
SP15C	Washer	5	—	DA6/3J
EA3.45.63	LEVER AND SPROCKET ASSEMBLY (Pre-Mod 5094) Spares for:—	1	—	DA6/3
SKEFCO				
CBA2	BEARING, ballrace	1	—	DA6/3A
EEAS3D	HOUSING, ballrace	1	—	DA6/3B
EA1.45.307	LEVER	1	—	DA6/3C
EA3.45.59	SPROCKET	1	—	DA6/3D
EEAS4-20C	WASHER, packing	2	—	DA6/3E

CONTROLS
FLYING CONTROLS IN COCKPIT

Part Number	Description					No. Off	Matl. Spec.	Plate No.
	1	2	3	4	5			
EA3.45.5075	LEVER, AND BOSS, ASSEMBLY (MOD 5094)	1	-	
					Spares for:-			
EA3.45.5081	BOSS	1	L65	
					Attaching parts for EA3.45.5081:-			
AS1242/10C	Bolt, 2BA	10	-	
A27CS	Nut, 2BA	10	-	
SP90C5	Pin, split	10	-	
EA3.45.5083	Ring, clamp	1	L65	
SP13C	Washer	10	-	
EA3.45.5217	LEVER, ASSEMBLY	1	-	
					Spares for:-			
SKEFKO								
CBA2	BEARING, ballrace	1	-	
EEAS3D	HOUSING, ballrace	1	L65	
EA3.45.5077	LEVER	1	L93	
EEAS4/20C	WASHER, packing 18 SWG	2	L72	
					Attaching parts for EA3.45.5075:-			
EEAS95/16G	Bolt, $\frac{5}{16}$ " BSF	2	-	
A27GS	Nut, $\frac{7}{16}$ " BSF	2	-	
SP90C8	Pin, split	2	-	
EA3.45.5091	Washer, saddle	4	-	
SP13G	Washer	2	-	
EA1.45.661	MOUNTING, RUDDER SERVO UNIT, SUPPORT, ASSEMBLY	1	-	DA4/26
					Spares for:-			
HOFFMANN								
CS7	BEARING, ballrace	2	-	DA4/27
EA1.45.663	BRACKET, servo support	1	-	DA4/27A
SMITHS LTD								
EAP364	GEAR, output	1	-	DA4/28
A27JT	NUT, $\frac{3}{8}$ " BSF	1	-	DA4/28A
AGS2011E1	NUT, pinnacle clinch $\frac{1}{4}$ " BSF	3	-	DA4/28B
EA1.45.667	SHAFT, splined	1	S11	DA4/29
EA1.45.665	SPROCKET	1	L40	DA4/30
EA1.45.671	TUBE	1	-	DA4/30A
AGS194/5	WASHER, tab	1	-	DA4/30B
					Attaching parts for EA1.45.661:-			
A25/1E	Bolt, $\frac{1}{4}$ " BSF	4	-	DA4/30C
SP47E	Washer, spring	4	-	DA4/30D

R

CONTROLS
FLYING CONTROLS IN COCKPIT

Part Number	1 2 3 4 5 6	Description	No. Off	Matl. Spec.	Plate No.
EEAS37/8A		NIPPLE, 4BA (PRE-MOD 5094)	4	S96	DA6/4
EA3.45.253		PEDALS, PILOT'S RUDDER CONTROL ASSEMBLY	1	-	DA6/5
		Spares for:-			
AS2183		ARM, RUDDER BAR, ASSEMBLY	2	-	DA6/6
		Spares for:-			
AS2187		EYE-BOLT	1	-	DA6/7
		Attaching parts for AS2167:-			
A24JS		Nut, slotted, 3/8" BSF	1	-	DA6/8
SP90C7		Pin, cotter, split	1	-	DA6/9
		Attaching parts for AS2183:-			
AS2180		Bush, upper	1	-	DA6/10
AS2226		Bush, lower	1	-	DA6/11
AS2224		Cap-nut	1	-	DA6/12
SP90E10		Pin, split	1	-	DA6/13
AS2181		Shim	1	-	DA6/14
HOFFMANN					
T21		BEARING, ballrace	1	-	DA6/15
AS2175		CAP, worm, adjusting	2	-	DA6/16
AS2178		COLLAR, worm, adjusting	1	-	DA6/17
		Attaching parts for AS2178:-			
SP29H10		Pin, taper	1	-	DA6/18
AS2231		LINK, adjusting	4	-	DA6/19
		Attaching parts for AS2231:-			
AS2196		Bolt, special	2	-	DA6/20
AS2197		Nut, special	2	-	DA6/21
SP90C5		Pin, split	2	-	DA6/22
AS2206		LINK-BAR, assembly	2	-	DA6/23
		Attaching parts for AS2206:-			
AS2202		Bolt, pivot	1	-	DA6/24
AS2203		Bolt, pivot	2	-	DA6/25
A24CS		Nut, slotted, 2BA	3	-	DA6/26
A24EP		Nut, 1/4" BSF	3	-	DA6/27
SP90C5		Pin, split	3	-	DA6/28
SP14C		Washer	3	-	DA6/29
SP15E		Washer	3	-	DA6/30
AS2198		PEDAL, GROUP	1	-	DA6/31
		Spares for:-			
AS2213		PEDAL	1	-	DA6/31B
AS2219		PLATE, foot	1	-	DA6/31A
AS4568		STIRRUP (Pre-Alt R60/49-Pre-Mod 5099)	1	-	DA6/32
AS46744		STIRRUP (Alt R60/49-Mod 5099)	1	-	DA6/32A
		Attaching parts for AS2219, A54568 and AS46744:-			
AS1247/2C		Bolt, round head 2BA	4	-	DA6/32C
A18CP		Nut, 2BA	4	-	DA6/32B
AS2199		PEDAL, GROUP	1	-	DA6/33
		Spares for:-			
AS2215		PEDAL	1	-	DA6/33B
AS2219		PLATE, foot	1	-	DA6/33A
AS4568		STIRRUP (Pre-Alt R60/49-Pre-Mod 5099)	1	-	DA6/34
AS46744		STIRRUP (Alt R60/49-Mod 5099)	1	-	DA6/34A
		Attaching parts for AS2219, AS4568 and AS46744:-			
AS1247/2C		Bolt, round head, 2BA	4	-	DA6/34B
A18CP		Nut, 2BA	4	-	DA6/34C
		Attaching parts for AS2198 and AS2199:-			
AS2209		Bolt, pivot	1	-	DA6/35
A24JS		Nut, slotted, 3/8" BSF	1	-	DA6/36
AS2210		Piece, distance	2	-	DA6/37
SP90C7		Pin, split	1	-	DA6/38

FLYING CONTROLS IN COCKPIT

Ref. No.	Part No.	Description	No. off	Matl. Spec.	Cl. of Equip M.R. L.M.	Plate No.
25511	AS2191 PEDESTAL	1	—	C	DA6/39
22422	AS2189 PLATE, support	1	—	C	DA6/40
28D/9438920	A25/1C Attaching parts for AS2189:—				
22424	AS2242 Bolt, 2BA	4	—	C	DA6/41
	 Washer, tab	1	—	C	DA6/42
22421	AS2179 PLATE, wheel adjustment	1	—	C	DA6/43
5803	AS2412 SLEEVE, screwed	1	—	B	DA6/44
5803	AS2411 WORM, adjusting	1	—	B	DA6/45
	 Attaching parts for AS2412 and AS2411:—				
12849	AS3399 Bolt, taper	2	—	C	DA6/46
28M/4095894	A24ES Nut, slotted, 1/4" BSF	2	—	C	DA6/47
28P/9527619	SP90C7 Pin, split	2	—	C	DA6/48
12973	AS3398 Washer	2	—	C	DA6/49
22198	AS2188 SPINDLE	1	—	C	DA6/50
12072	AS2177 WHEEL, adjusting	1	—	C	DA6/51
1571	EEAS38/2A SPOKE, 4BA (Pre—Mod 5094)	2	S11	C	DA6/52
1922	EA1.45.669 STUD, special servo unit mounting	4	S11	C	DA4/31
	 Attaching parts for EA1.45.669:—				
1923	EA1.45.1149 Nut, slotted	1	—	C	DA4/31A
28W/9416644	SP47E Washer	1	—	C	DA4/31B
	EA3.45.249 UNIT, BRAKE CONTROL, ASSEMBLY	1	—	—	DA5/24
	 Spares for:—				
28D/9436920	A25/1C BOLT	4	—	C	DA5/24A
16305	EA3.45.251 BRACKET, support	1	L72	C	DA5/25
	 Attaching parts for EA3.45.251:—				
28D/9436920	A25/1C Bolt, 2BA	6	—	C	DA5/26
2025	EA3.45.189 CAM, plate guide	1	DTD683	C	DA5/27
	 Attaching parts for EA3.45.189:—				
28D/1200119	A25/4C Bolt, 2BA	2	—	C	DA5/28
28D/1007976	AS1242/4C Bolt, csk. head 2BA	1	—	C	DA2/29
28W/9416643	SP47C Washer, spring	2	—	C	DA5/30
2026	EA3.45.191 LEVER, brake valve operating	1	S96	C	DA5/31
	 Attaching parts for EA3.45.191:—				
28D/7002428	A25/6C Bolt, 2BA	1	—	C	DA5/32
28M/5808573	A27CS Nut, slotted 2BA	1	—	C	DA5/33
28P/9527619	SP90C7 Pin, split 1/16" dia	1	—	C	DA5/34
5166	EA3.45.193 LINK, tie between valve operating lever and rudder control lever	1	S11	C	DA5/35
	 Consisting of:—				
6051298	EA3.45.187 FORK-END	1	—	—	DA5/36
28K/4070324	SP3Y413L FORK-END	1	—	C	DA5/37
28M/1006473	A27CT NUT, thin 2BA	1	—	C	DA5/38
28M/4095891	A27CTL NUT, thin 2BA	1	—	C	DA5/39
	EA3.45.193A ROD	1	S11	—	DA5/40
	 Attaching parts for EA3.45.193:—				
28N/1045680	AGS899/2 Collar	2	—	C	DA5/41
2027	EA3.45.195 Pin, special	1	S11	C	DA5/42
28P/1207870	SP4Y/B11 Pin, shackle	1	—	C	DA5/43
28P/9527619	SP90C7 Pin, split 1/16" dia	2	—	C	DA5/44
28W/9419475	SP15C Washer	1	—	C	DA5/45

CONTROLS
FLYING CONTROLS IN COCKPIT

Ref. No.	Part No.	Description 1 2 3 4 5 6	No. off	Mtl. Spec.	Cl. of	Plate No.
					Equip M.R. L.M.	
28W/9416643 96	SP47C - EA1.45.477 WASHER, spring	4	—	C	DA5/45A
		. . . SPRING, tension, between aileron control and tension lever	1	DTD215	C	DA4/32
1922 16288	EA1.45.669 EA2.45.9	. . . STUD, special, servo unit mounting MOUNTING, AILERON, ELEVATOR AND RUDDER CONTROL LEVERS AT PRESSURE BULKHEAD ASSEMBLY	4 1	S11 —	C —	DA7/1
		Spares for:—				
16293	EA2.45.227	. . . CHANNEL, CONTROL, LEVER STOP SUPPORT ASSEMBLY	1	—	—	DA7/2
		Spares for:—				
	EA2.45.249	. . . CHANNEL, support	1	—	—	DA7/2A
28M/1007404 12045	A27JT EA2.45.619	. . . NUT, locking	3	—	C	DA7/2B
		. . . STUD, adjustable, stop lower control lever	1	S95	C	DA7/3
12046	EA2.45.631	. . . STUD, adjustable, stop, lower control levers	2	S95	C	DA7/4
	EA2.45.251	. . . WASHER, profile	3	DTD683	—	DA7/5
		Attaching parts for EA2.45.227:—				
28D/9436920 28M/1012015 28W/9419475	A25/1C AGS2001C1/66 SP15C	. . . Bolt, 2BA	4	—	C	DA7/5A
		. . . Nut, stiff, 2BA	4	—	C	DA7/5B
		. . . Washer	4	—	C	DA7/5C
1951 1943	EA2.45.233 EA2.45.825	. . . GASKET, between control box and bulkhead LEVERS, CONTROL, ASSEMBLY (MOD 4489)	1 1	DTD515A —	C A	DA7/6 DA7/7
		Spares for:—				
111 33007	EA1.45.367 EA1.45.361	. . . DOWEL	3	S1	C	DA7/18
		. . . END-PIECE, control lever mounting	2	L65	C	DA7/8
		Attaching parts for EA1.45.361:—				
28D/9133011 28D/1007976 28M/1012015 28W/9419475	A25/2C AS1242/4C AGS2001C1/66 SP15C	. . . Bolt, 2BA	2	—	C	DA7/9
		. . . Bolt, csk. head 2BA	3	—	C	DA7/9A
		. . . Nut, stiff, 2BA	5	—	C	DA7/10
		. . . Washer	5	—	C	DA7/11
24754 1944	EA1.45.349 EA2.45.235	. . . HOUSING	1	DTD289	C	DA7/12
		. . . LEVER, rudder or aileron, upper, c/w ballrace	2	—	B	DA7/13
1945 1946	EA2.45.237 EA2.45.239	. . . LEVER, elevator, upper, c/w ballrace	1	—	B	DA7/14
		. . . LEVER, rudder or aileron, lower c/w ballrace	2	—	B	DA7/15
1947	EA2.45.241	. . . LEVER, elevator, lower	1	—	C	DA7/16
		Attaching parts for EA2.45.235, EA2.45.237, EA2.45.239 and EA2.45.241:—				
28D/1215686 28M/9480017 28W/9471273	A59/7E AGS2001E1/66 SP124E	. . . Bolt	2	S96	C	DA7/17
		. . . Nut, stiff 1/4" BSF	2	—	C	DA7/19
		. . . Washer	2	—	C	DA7/20
1439241 1948 1949 1950	EA3.45.535 EA1.45.351 EA1.45.353 EA1.45.355	. . . PIECE, packing	2	—	C	DA7/20A
		. . . RING, sealing, outboard	1	L45	C	DA7/21
		. . . RING, sealing, centre	1	L45	C	DA7/22
		. . . RING, sealing, inboard	1	L45	C	DA7/23
		Attaching parts for EA2.45.825:—				
28D/1200119 28D/9133012 28M/1012015	A25/4C A25/3C AGS2001C1/66	. . . Bolt, 2BA	4	—	C	DA7/24
		. . . Bolt, 2BA	12	—	C	DA7/25
		. . . Nut, stiff, 2BA	16	—	C	DA7/26

FLYING CONTROLS IN COCKPIT

Ref. No.	Part No.	Description	1 2 3 4 5 6						No. off	Matl. Spec.	Cl. of Equip M.R. L.M.	Plate No.
16297	EA2.45.463	. MOUNTING, ELEVATOR, CONTROL LEVER ASSEMBLY (PRE—MOD 4705)							1	—	—	DA1/4
44463	EB7.45.145	. MOUNTING, ELEVATOR, CONTROL LEVER ASSEMBLY (MOD 4705)							1	—	—	
	HOFFMANN T17	Spares for:—										
2A/9500419	EA2.45.391	. BEARING, ballrace							2	—	B	DA1/5
1954	EA2.45.273	. COUPLING, chain sprocket (Pre—Mod 4705)							1	DTD683	—	DA1/8
28D/9436920	A25/1C	. COVER, chain for elevator control							1	—	C	DA1/9
28W/9419475	SP15C	Attaching parts for EA2.45.273:—										
	EA2.45.474	. Bolt, 2BA							2	—	C	DA1/9A
		. Washer							2	—	C	DA1/9B
	EA2.45.474	. GUARD, top chain, elevator auto control (Pre—Mod 4705)							1	LFS26	—	DA1/10
		Attaching parts for EA2.45.474:—										
28D/1010658	A25/1B	. Bolt, 4BA							2	—	C	DA1/10A
28M/1278189	AGS2001B1	. Nut, 4BA							2	—	C	DA1/10B
	EA2.45.473	. GUARD, bottom chain, elevator auto control (Pre—Mod 4705)							1	LFS21	—	DA1/11
		Attaching parts for EA2.45.473:—										
28D/1010658	A25/1B	. Bolt, 4BA							2	—	C	DA1/11A
28M/1278189	AGS2001B1	. Nut, 4BA							2	—	C	DA1/11B
1955	EA2.45.389	. HOUSING, ballrace control shaft (Pre—Mod 4705)							2	—	C	DA1/12
		Attaching parts for EA2.45.389:—										
28D/9133011	A25/2C	. Bolt, 2BA							6	—	C	DA1/12A
28D/9133012	A25/3C	. Bolt, 2BA							6	—	C	DA1/12B
28M/9403520	A27CP	. Nut, 2BA							12	—	C	DA1/12C
	EA2.45.385	. Washer, taper							6	—	C	DA1/34
1955	EA2.45.389	. HOUSING, ballrace, control shaft (Mod 4705)							2	—	C	
		Attaching parts for EA2.45.389:—										
28D/9133012	A25/3C	. Bolt, 2BA (outboard)							6	—	C	
28D/1013174	AS1242/7E	. Bolt, 1/4" BSF (inboard)							6	—	C	
28M/5808573	A27CS	. Nut, 2BA (outboard)							6	—	C	
28M/1011467	A27ES	. Nut, 1/4" BSF (inboard)							6	—	C	
28P/9486478	SP90C5	. Pin, split							12	—	C	
28W/9419475	SP15C	. Washer (outboard)							6	—	C	
28W/9419487	SP16E	. Washer (inboard)							6	—	C	
33897	EA2.45.583	. LEVER, ELEVATOR, OPERATING, ASSEMBLY (PRE—MOD 4705)							1	—	B	DA1/13
6051013	EA2.45.843	. LEVER, ELEVATOR, OPERATING, ASSEMBLY (MOD 4705)							1	—	B	
		Spares for:—										
2A/9500463	SKEFCO CBA2	. BEARING, ballrace							1	—	B	DA1/14
75	EEAS3D	. HOUSING, ballrace							1	L40	C	DA1/15

CONTROLS
FLYING CONTROLS IN COCKPIT

Ref. No.	Part No.	Description 1 2 3 4 5 6	No. off	Matl. Spec.	Cl. of Equip M.R. L.M.	Plate No.
	EA2.45.581	. . . LEVER (Pre—Mod 4705)	1	L40	—	DA1/16
	EA2.45.847	. . . LEVER (Mod 4705)	1	L40	—	
		Attaching parts for EA2.45.583 and EA2.45.843:—				
28D/1011240	A25/5E	. . . Bolt, 1/4" BSF (Mod 4705)	3	—	C	
33690	EA2.45.657	. . . Bolt, special (Pre—Mod 4705)	3	S94	C	DA1/6
28M/1011467	A27ES	. . . Nut, 1/4" BSF (Mod 4705)	3	—	C	
12202	EA2.45.661	. . . Nut, special (Pre—Mod 4705)	2	S96	C	DA1/6A
28P/9486478	SP90C5	. . . Pin, split (Mod 4705)	3	—	C	
12204	EA2.45.663	. . . Washer (Pre—Mod 4705)	3	L72	C	DA1/6B
28W/9419405	SP15E	. . . Washer (Mod 4705)	3	—	C	
13233	EA2.45.587	. . . LEVER, ELEVATOR, OPERATING, ASSEMBLY (PRE—MOD 4705)	1	—	B	DA1/18
44462	EB6.45.177	. . . LEVER, ELEVATOR, OPERATING, ASSEMBLY (MOD 4705)	1	—	—	
		Spares for:—				
	SKEFCO					
2A/9500463	CBA2	. . . BEARING, ballrace	1	L40	B	DA1/19
75	EEAS3D	. . . HOUSING, ballrace	1	L40	C	DA1/20
	EA2.45.585	. . . LEVER (Pre—Mod 4705)	1	L40	—	DA1/21
	EB6.45.179	. . . LEVER (Mod 4705)	1	L40	—	
92	EEAS4/20C	. . . WASHER, packing	2	L72	C	DA1/22
		Attaching parts for EA2.45.587:—				
28D/1013178	AS1242/5E	. . . Bolt, 1/4" BSF (Mod 4705)	3	—	C	
12203	EA2.45.659	. . . Bolt, special (Pre—Mod 4705)	3	S94	C	DA1/7
28M/1011467	A27ES	. . . Nut, 1/4" BSF (Mod 4705)	3	—	C	
12202	EA2.45.661	. . . Nut, special (Pre—Mod 4705)	3	S96	C	DA1/24
28P/9486478	SP90C5	. . . Pin, split (Mod 4705)	3	—	C	
12204	EA2.45.663	. . . Washer (Pre—Mod 4705)	3	L72	C	DA1/37
28W/9419405	SP15E	. . . Washer (Mod 4705)	3	—	C	
1095	EEAS37/14A	. . . NIPPLE (Pre—Mod 4705)	4	S11	C	DA1/23
33901	EA2.45.589	. . . PACKING, aileron control lever	1	L72	—	DA1/25
	EB6.45.185	. . . PLATE, reinforcing (Mod 4705)	1	—	—	
	EA3.45.829	. . . PLATE, reinforcing (Mod 4705)	1	—	—	
		Attaching parts for EA3.45.829:—				
28D/9133011	A25/2C	. . . Bolt, 2BA	12	—	C	
28W/9419475	SP15C	. . . Washer	12	—	C	
	EA2.45.487	. . . PULLEY, JOCKEY ASSEMBLY (PRE—MOD 4705)	1	—	—	DA1/26
		Spares for:—				
102	EA1.45.397	. . . BOLT, special	1	MS	C	DA1/27
	EA2.45.291	. . . LEVER	1	DTD683	—	DA1/28
		Attaching parts for EA2.45.291:—				
28M/9153393	AGS899/4	. . . Collar	1	—	C	DA1/28A
28P/1010989	SP4Y/D16	. . . Pin, shackle	1	—	C	DA1/28B
28P/9527619	SP90C7	. . . Pin, split, 1/16" dia	1	—	C	DA1/28C
28M/1007403	A27ET	. . . NUT, locking	1	—	C	DA1/28D
	EA2.45.293	. . . PULLEY	1	LFB82	—	DA1/29
		Attaching parts for EA2.45.293:—				
28M/9153393	AGS899/4	. . . Collar	1	—	C	DA1/29A
28P/1010989	SP4Y/D16	. . . Pin, shackle	1	—	C	DA1/29B
28P/9527619	SP90C7	. . . Pin, split, 1/16" dia	1	—	C	DA1/29C

CONTROLS
FLYING CONTROLS IN COCKPIT

Part Number	Description						No. Off	Matl. Spec.	Plate No.
	1	2	3	4	5	6			
EA2.45.491	1	DTD683	DA1/30
EEAS38/3A	2	S11	DA1/31
EA1.45.277	1	L40	DA1/32
EA2.45.393	1	T4	DA1/33
EA2.45.835	1	-	
A25/12C	1	-	
A27/CS	1	-	
SP90C5	1	-	
AS1903C9	2	-	
SP15C	1	-	
EA2.45.395	1	LFS21	DA1/35
EA2.45.613	1	L72	DA1/36
EA3.45.309	1	-	DA1/38
R EA3.45.651	1	-	
R EA3.45.727	1	-	
EEAS47/2	1	DTD683	DA1/39
EA3.45.347	1	-	DA1/40
R EA3.45.667	1	-	
R EA3.45.737	1	-	
EEAS47/2	1	DTD683	DA1/41
EA2.45.559	1	-	DA1/42
R EA2.45.873	1	-	
R EA2.45.899	1	-	
EEAS47/2	1	DTD683	DA1/43
EA2.45.607	1	-	DA1/44
R EA2.45.875	1	-	
R EA2.45.901	1	-	

CONTROLS
FLYING CONTROLS IN COCKPIT

Part Number	Description	No. Off	Matl. Spec.	Plate No.
	Spares for:—			
R EA3.45.329	. . TUBE, control, forward portion (Pre Mod 4930)	1	—	DA1/45
R EA3.45.657	. . TUBE, control, forward portion (Mod 4930) (Pre Mod 5473)	1	—	
R EA3.45.823	. . TUBE, control, forward portion (Mod 5473)	1	—	
EA2.45.609	. . TUBE, CONTROL, AFT PORTION, ASSEMBLY (PRE MOD 4930)	1	—	DA1/46
R EA2.45.877	. . TUBE, CONTROL, AFT PORTION, ASSEMBLY (MOD 4930) (PRE MOD 5473)	1	—	
R EA2.45.937	. . TUBE, CONTROL, AFT PORTION, ASSEMBLY (MOD 5473)	1	—	
	Spares for:—			
R EEAS47/2	. . . FORK-END, adjusting Attaching parts for EA3.45.329, EA2.45.609, EA3.45.657, EA2.45.877, EA3.45.823 and EA2.45.937:—	1	DTD683	DA1/47
A25/22C	. . Bolt, 2BA	2	—	DA1/48
AS484JA	. . Bush, taper, shear	4	—	DA1/49
A27CS	. . Nut, slotted, 2BA	2	—	DA1/50
SP90C7	. . Pin, split, 1/16" dia	2	—	DA1/51
EA2.45.545	. TUBE, control, rudder, aileron and elevator (Pre Mod 4930)	3	—	DA1/52
R EA2.45.871	. TUBE, control, rudder, aileron and elevator (Mod 4930) (Pre Mod 5473)	3	—	
R EA2.45.897	. TUBE, control (Mod 5473)	3	—	
	Attaching parts for Control Tubes:—			
EEAS13/1	. Bolt	2	S96	DA1/53
EEAS14	. Bush	2	S96	DA1/54
EEAS63E	. Nut	2	S96	DA1/55
EEAS127	. Piece, distance	2	S96	DA1/56
SP90C7	. Pin, split, 1/16" dia	2	—	DA1/57
EA2.45.495	. UNIT, ELEVATOR, SERVO, ASSEMBLY (PRE MOD 2657)	1	—	DA1/58
	Spares for:—			
EA1.45.753	. . BOLT, special	6	S11	DA1/59
AS924/84P	. . CHAIN, servo unit driving	1	—	DA1/60
EA1.45.755	. . GUARD, chain Attaching parts for EA1.45.755:—	2	L40	DA1/61
A25/7B	. . Bolt	1	—	DA1/61A
SP47B	. . Washer, spring	1	—	DA1/61B
EA1.45.751	. . SPROCKET, auto pilot Attaching parts for EA1.45.751:—	1	L40	DA1/62
EA1.45.753	. . Bolt, special	6	—	DA1/62A
A27CP	. . Nut	6	—	DA1/62B
EA3.45.545	. UNIT, SNATCH, ELEVATOR, CONTROL INSTALLATION (MOD 4435)	—	—	DA5/46
	Spares for:—			
EA1.45.609	. . BRACKET	1	—	DA5/47
EA3.45.437	. . BUSH	1	—	DA5/52
or				
MBEU1806EE	. . BUSH	1	—	
AGS2002E1	. . NUT, thin 1/4" BSF	2	—	DA5/53
SP90CS	. . PIN, split, 1/16" dia	1	—	DA5/46A
EA1.45.747	. . PLATE, packing	2	—	DA5/47A
EA1.45.613	. . STUD	1	L65	DA5/54
or				
MBEU1805EE	. . STUD	1	—	
EA1.45.611	. . SUPPORT Attaching parts for EA1.45.611:—	1	—	DA5/48
A25/4C	. . Bolt, 2BA	4	—	DA5/49
AGS2001C1/66	. . Nut, 2BA	4	—	DA5/50
LKOX-HS-B	. . TIE, cable, insulox, black	QR	—	
MBCJ2106	. . UNIT, snatch, gas operated (Mod 4435)	1	—	DA5/51
SP15E	. . WASHER	2	—	DA5/55

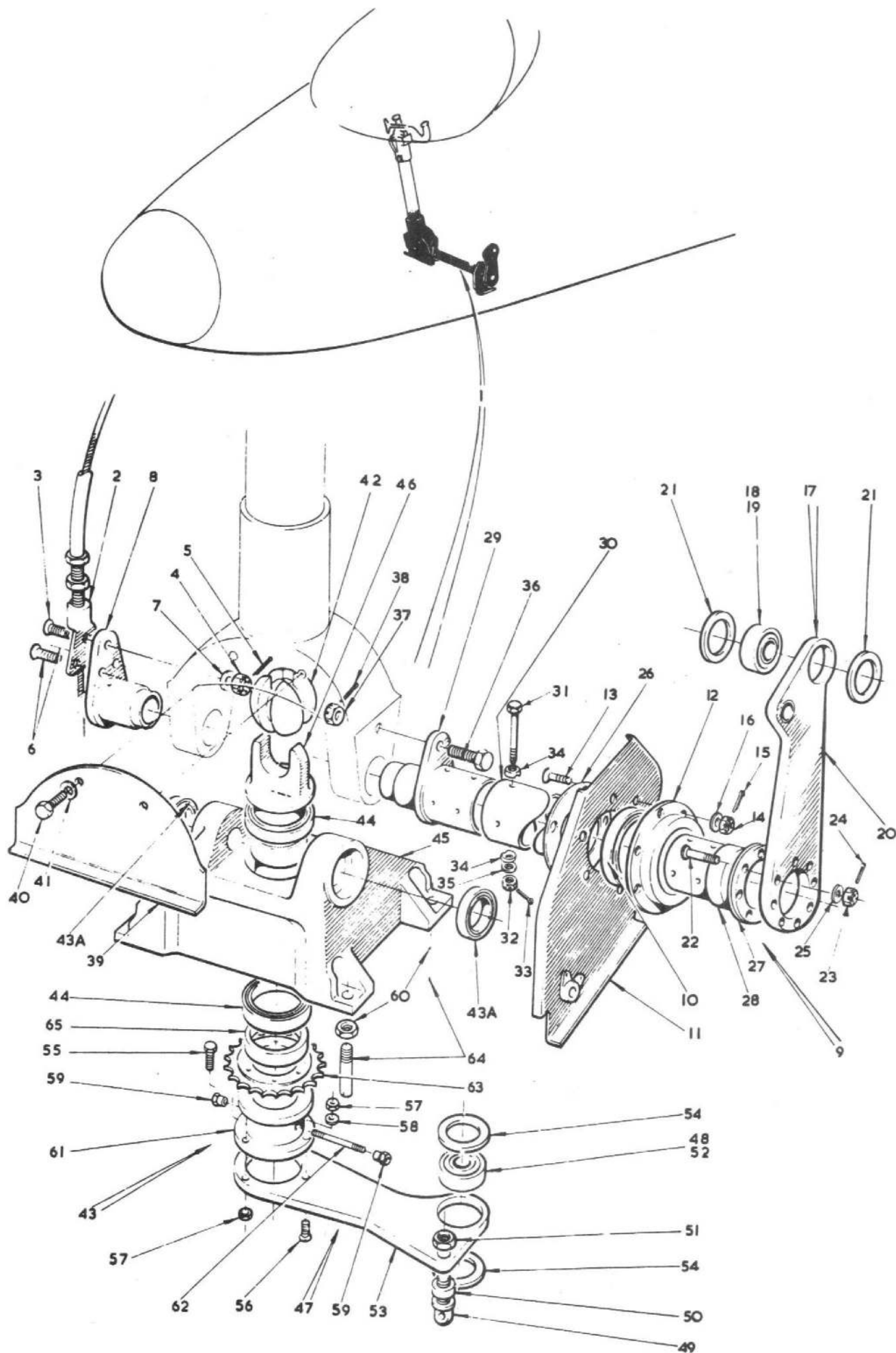


FIG.2 FLYING CONTROLS IN COCKPIT

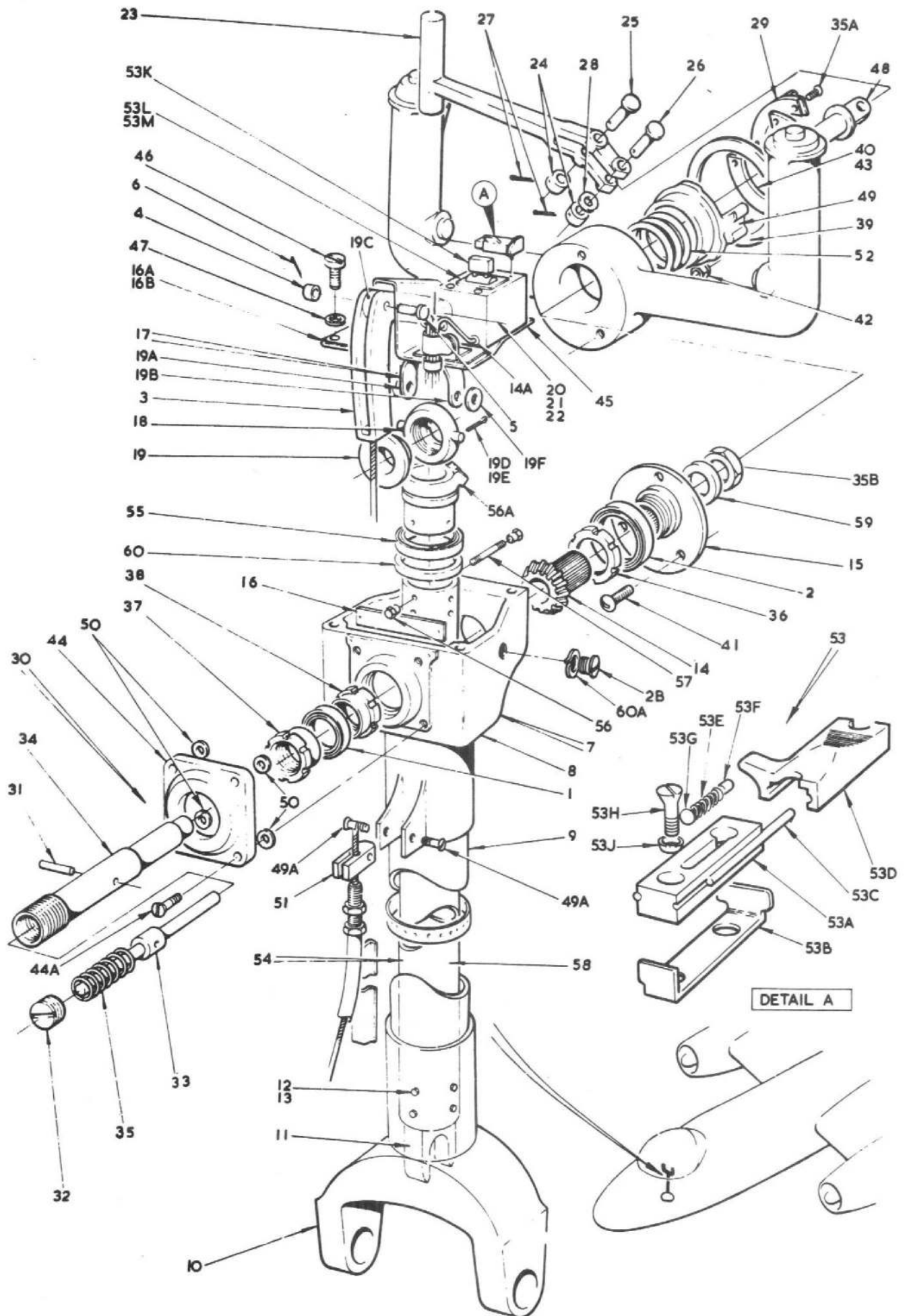


FIG. 3 FLYING CONTROLS IN COCKPIT

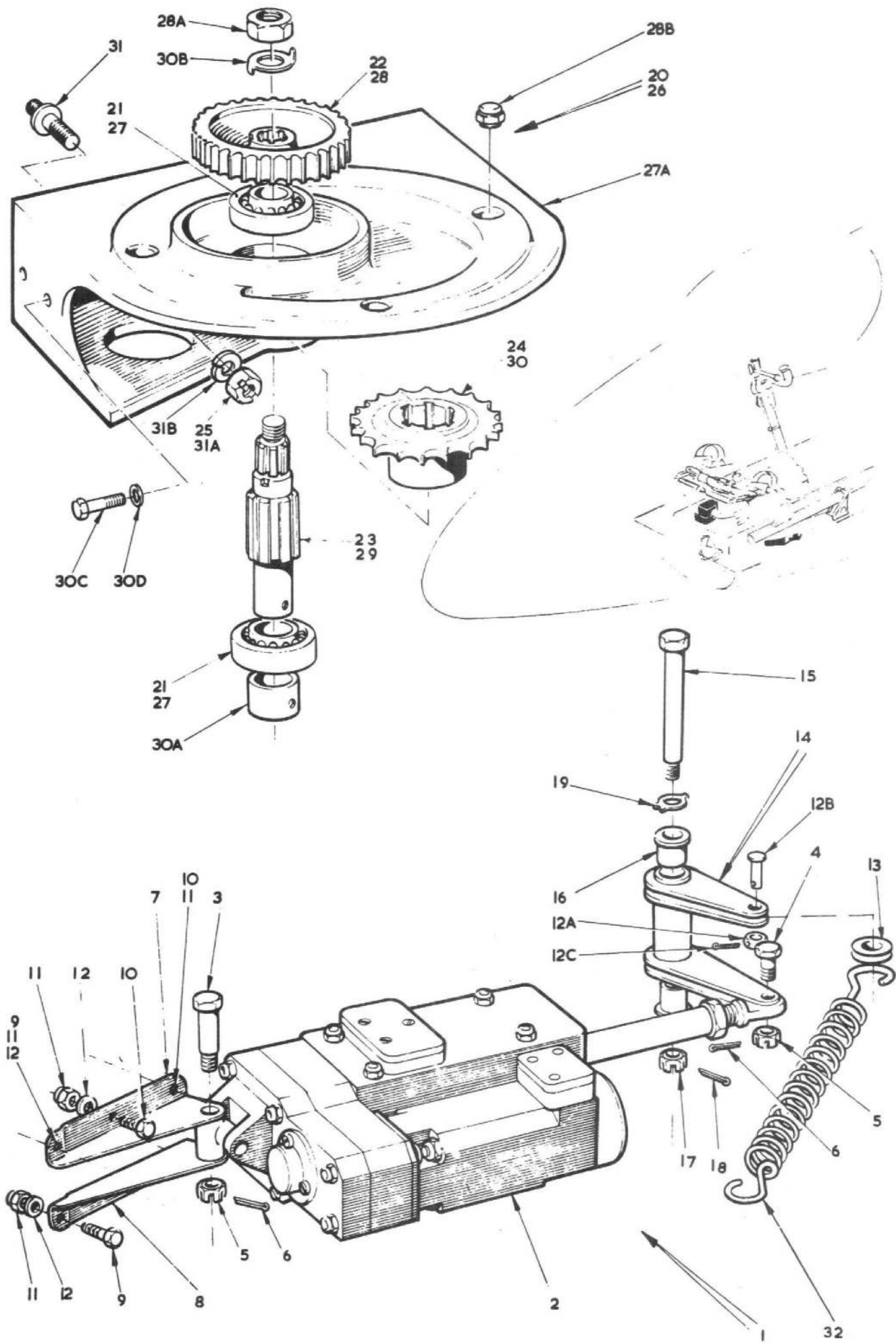


FIG.4 FLYING CONTROLS IN COCKPIT

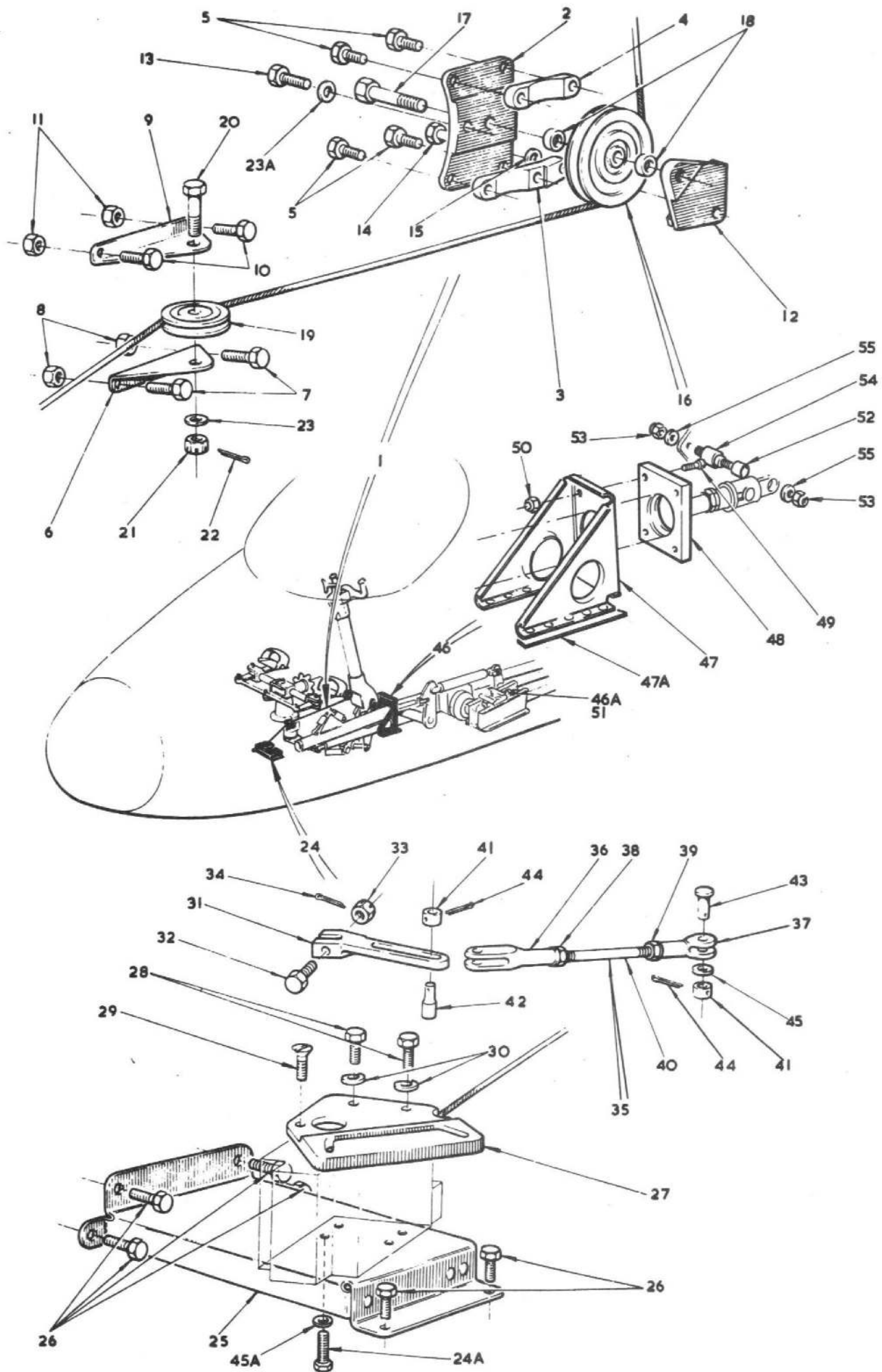


FIG. 5 FLYING CONTROLS IN COCKPIT

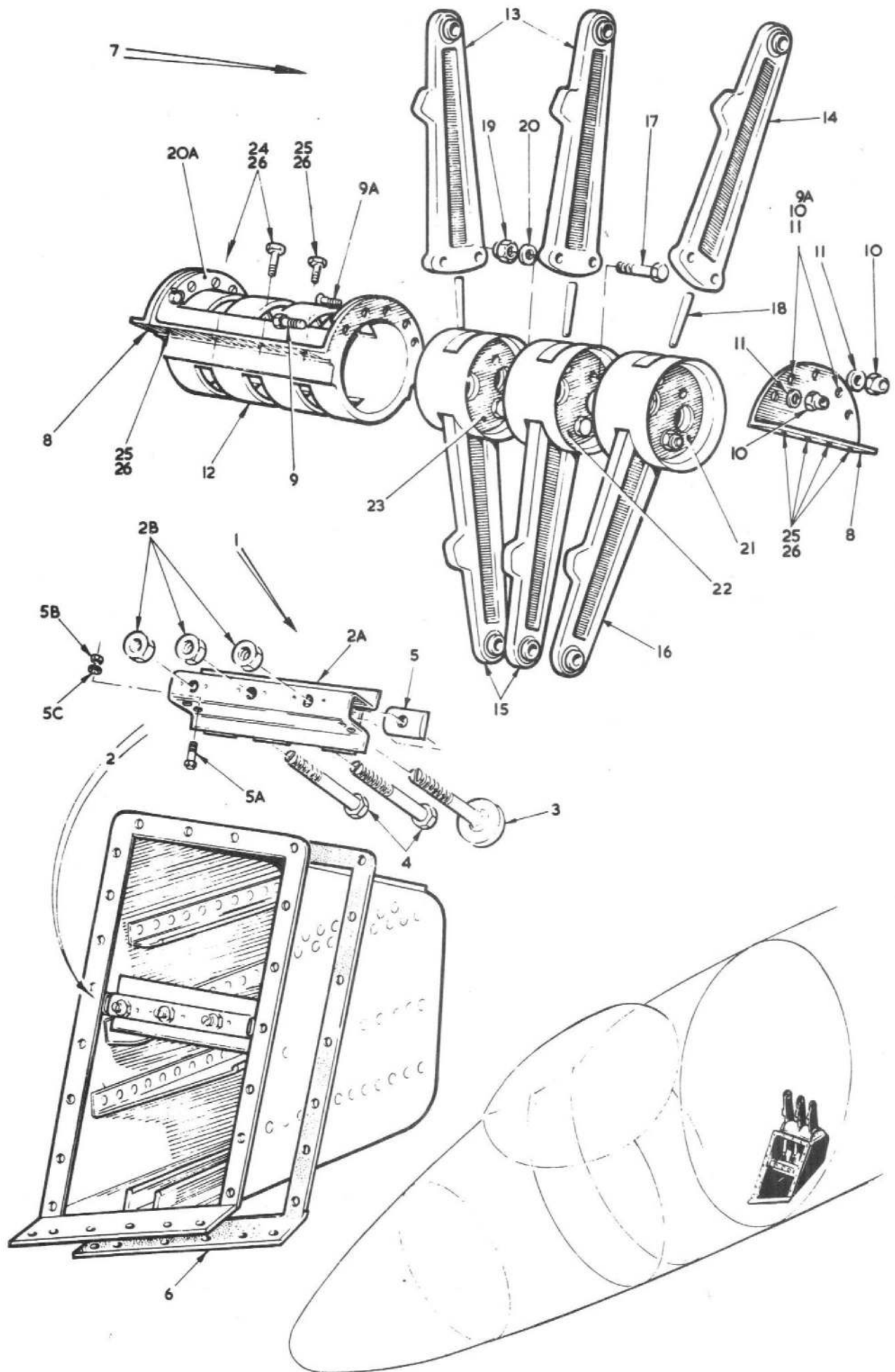


FIG.7 FLYING CONTROLS IN COCKPIT

This file was downloaded
from the RTFM Library.

Link: www.scottbouch.com/rtfm

Please see site for usage terms,
and more aircraft documents.

