

CONTROLS  
FLYING CONTROLS IN CENTRE FUSELAGE

Part Number	Description	No. Off	Matl. Spec.	Plate No.
EA2.45.529	CONTROLS, FLYING, IN CENTRE FUSELAGE ASSEMBLY	—	—	DB2/3
EA2.45.11	Spares for:— LEVERS, AILERON AND MOUNTING AT FRAME 21B (PRE-MOD 5094) (For Aircraft Not Embodying Mod 5099)	1	—	DB2/1
R EK5.45.91	LEVERS, AILERON AND MOUNTING AT FRAME 21B (MOD 5094) (For Aircraft Embodying Mod 5099) Spares for:—	1	—	
HOFFMANN T17	. . BEARING, ballrace	2	—	DB2/4
EA2.45.91	. . BRACKET, mounting (Pre-Mod 5094)	1	DTD390	DB2/23
EK5.45.107	. . BRACKET, mounting (Mod 5094)	1	L72	
EA2.45.83	. . HOUSING, upper (Pre-Mod 5094)	1	L40	DB2/2
EK5.45.111	. . HOUSING, upper (Mod 5094) Attaching parts for EK5.45.111:—	1	L65	
AS1242/4C	. . Bolt, 2BA	4	—	
AGS2009C1	. . Nut, anchor, 2BA	4	—	
EK5.45.123	. . Packing, taper	4	L72	
EK5.45.113	. . Ring, clamp	1	L65	
EK5.45.193	. . Shim, laminated	1	LA	
EK5.45.205	. . Shim, 18SWG (if required)	1	L72	
EA1.45.251	. . HOUSING, lower (Pre-MOD 5094)	1	L40	DB2/22
EA3.45.5205	. . HOUSING, lower (Mod 5094) Attaching parts for EA3.45.5205:—	1	L65	
A25/2C	. . Bolt, 2BA	8	—	
AGS2001C1-66	. . Nut, 2BA	8	—	
SP13C	. . Washer	QR	—	
EA2.45.575	. . LEVERS, ASSEMBLY (PRE-MOD 5094)	1	—	DB2/14
EK5.45.195	. . LEVERS, ASSEMBLY (MOD 5094) Spares for:—	1	—	
EA2.45.71	. . . LEVER, AILERON, ASSEMBLY (PRE-MOD 5094)	1	—	DB2/20
EK5.45.197	. . . LEVER, AILERON, ASSEMBLY (MOD 5094) Spares for:—	1	—	
SKEFKO CBA2	. . . . BEARING, ballrace	2	—	DB2/17
EEAS3D	. . . . HOUSING	2	—	DB2/18
EA2.45.69	. . . . LEVER (Pre-Mod 5094)	1	—	DB2/15
EK5.45.199	. . . . LEVER (Mod 5094)	1	L93	
EEAS4/20C	. . . . WASHER, packing Attaching parts for EK5.45.197:—	4	—	DB2/19
AS1242/4E	. . . Bolt, 1/4" BSF	6	—	
A27ES	. . . Nut, 1/4" BSF	6	—	
SP90C6	. . . Pin, split	6	—	
SP13E	. . . Washer	6	—	

## CONTROLS

## FLYING CONTROLS IN CENTRE FUSELAGE

Part Number	Description	No. Off	Mati. Spec.	Plate No.
EA2.45.75	. . . LEVER, AILERON, ASSEMBLY (PRE-MOD 5094)	1	L40	DB2/10
EK5.45.201	. . . LEVER, AILERON, ASSEMBLY (MOD 5094)	1	-	
	Spares for:-			
SKEFKO				
CBA2	. . . . BEARING, ballrace	2	-	DB2/6
EEAS3D	. . . . HOUSING	2	L40	DB2/7
EA2.45.73	. . . . LEVER (Pre-Mod 5094)	1	DTD610	DB2/8
EK5.45.203	. . . . LEVER (Mod 5094)	1	L93	
EEAS4/20C	. . . . WASHER, packing	4	DTD390	DB2/5
	Attaching parts for EK5.45.201:-			
AS1242/4E	. . . Bolt, 1/4" BSF	6	-	
A27ES	. . . Nut, 1/4" BSF	6	-	
SP90C6	. . . Pin, split	6	-	
SP13E	. . . Washer	6	-	
EEAS37/2A	. . . NIPPLE, 4BA	8	S11	DB2/11
EA2.45.77	. . . SOCKET, upper (Pre-Mod 5094)	1	DTD683	DB2/9
EK5.45.191	. . . SOCKET, upper (Mod 5094)	1	L65	
EA2.45.79	. . . SOCKET, lower (Pre-Mod 5094)	1	DTD683	DB2/16
EK5.45.103	. . . SOCKET, lower (Mod 5094)	1	L65	
	Attaching parts for EK.45.191 or EK5.45.103:-			
EEAS.95./21E	. . . Bolt, 1/4" BSF	2	-	
A27ES	. . . Nut, 1/4" BSF	2	-	
SP90C6	. . . Pin, split	2	-	
AS1903E16	. . . Washer, saddle	4	-	
SP13E	. . . Washer	2	-	
EEAS38/2A	. . . SPOKE (Pre-Mod 5094)	QR	S11	DB2/12
EA2.45.229	. . . TUBE, torque (Pre-Mod 5094)	1	T45	DB2/13
EK5.45.105	. . . TUBE, torque (Mod 5094)	1	T45	
EA2.45.105	. . . WASHER, profile	6	DTD390	DB2/21
EA2.45.12	. LEVER, AILERON, IDLE MOUNTING ASSEMBLY (PRE-MOD 5094) (For Aircraft Not Embodying Mod 5099)	1	-	DB1/1
R EK5.45.125	. LEVER, AILERON, IDLE MOUNTING ASSEMBLY (MOD 5094) (For Aircraft Embodying Mod 5099)	1	-	
	Spares for:-			
HOFFMANN				
T17	. . BEARING, ballrace	2	-	DB1/17
EA2.45.81	. . HOUSING, lower	1	L40	DB1/25
EA2.45.83	. . HOUSING, upper (Pre-Mod 5094)	1	L40	DB1/14
EK5.45.111	. . HOUSING, upper (Mod 5094)	1	L65	
	Attaching parts for EK5.45.111:-			
AS1242/4C	. . Bolt, 2BA	4	-	
AGS2009C1	. . Nut, anchor 2BA	4	-	
EK5.45.123	. . Packing, taper	4	L72	
EK5.45.113	. . Ring, clamp	1	L65	

## CONTROLS

## FLYING CONTROLS IN CENTRE FUSELAGE

Part Number	Description	No. Off	Matl. Spec.	Plate No.
EA2.45.577	. . . LEVER, AILERON, IDLE, ASSEMBLY (PRE-MOD 5094)	1	-	DB1/18
EK5.45.127	. . . LEVER, AILERON, IDLE, ASSEMBLY (MOD 5094) Spares for:-	1	-	
EA2.45.99	. . . . LEVER, ASSEMBLY (PRE-MOD 5094)	1	-	DB1/21
EK5.45.129	. . . . LEVER, ASSEMBLY (MOD 5094) Spares for:-	1	-	
SKEFKO				
CBA2	. . . . BEARING, ballrace	2	-	DB1/22
EEAS3D	. . . . HOUSING	2	L40	DB1/23
EA2.45.107	. . . . LEVER (Pre-Mod 5094)	1	-	DB1/23A
EK5.45.131	. . . . LEVER (Mod 5094)	1	L93	
EEAS4/20C	. . . . WASHER, packing Attaching parts for EK5.45.129:-	4	DTD390	DB1/24
AS1242/5E	. . . . Bolt, 1/4" BSF	4	-	
A27ES	. . . . Nut, 1/4" BSF	4	-	
SP90C6	. . . . Pin, split	4	-	
SP15E	. . . . Washer	4	-	
EA2.45.93	. . . . SHAFT (Pre-Mod 5094)	1	-	DB1/24A
EK5.45.89	. . . . SHAFT (Mod 5094)	1	L65	
EK5.45.147	. . . PLATE, lower, assembly, 18 SWG (Mod 5094) Attaching parts for EK5.45.5147:-	1	L72	
A25/2B	. . . Bolt, 4BA	2	-	
A25/1C	. . . Bolt, 2BA	4	-	
A25/2C	. . . Bolt, 2BA	7	-	
AGS2018B1	. . . Nut, anchor, 4BA	2	-	
AGS2001C1/66	. . . Nut, 2BA	4	-	
AGS2018C1	. . . Nut, anchor, 2BA	6	-	
AGS2007C1	. . . Nut, anchor, 2BA	1	-	
SP13B	. . . Washer	2	-	
SP13C	. . . Washer	11	-	
EK5.45.143	. . . TRAY, support, lower plate, 18 SWG (Mod 5094)	1	L72	
-	. . . SUPPORT, CONTROL TUBE FRAME No. 14 (EA2.45.17) Spares for:-	-	-	
FAIREY AVIATION FS515	. . . BEARING, roller	3	-	
-	. . . SUPPORT, CONTROL TUBE, FRAME No. 19 (EA2.45.15) Spares for:-	-	-	
FAIREY AVIATION FS515	. . . BEARING, roller	2	-	
-	. . . SUPPORT, CONTROL TUBE FRAME No. 22 (EA2.11.69)	-	-	

CONTROLS  
FLYING CONTROLS IN CENTRE FUSELAGE

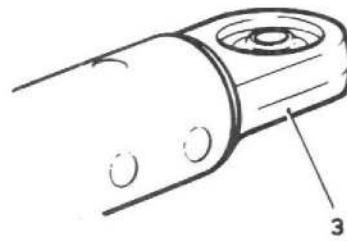
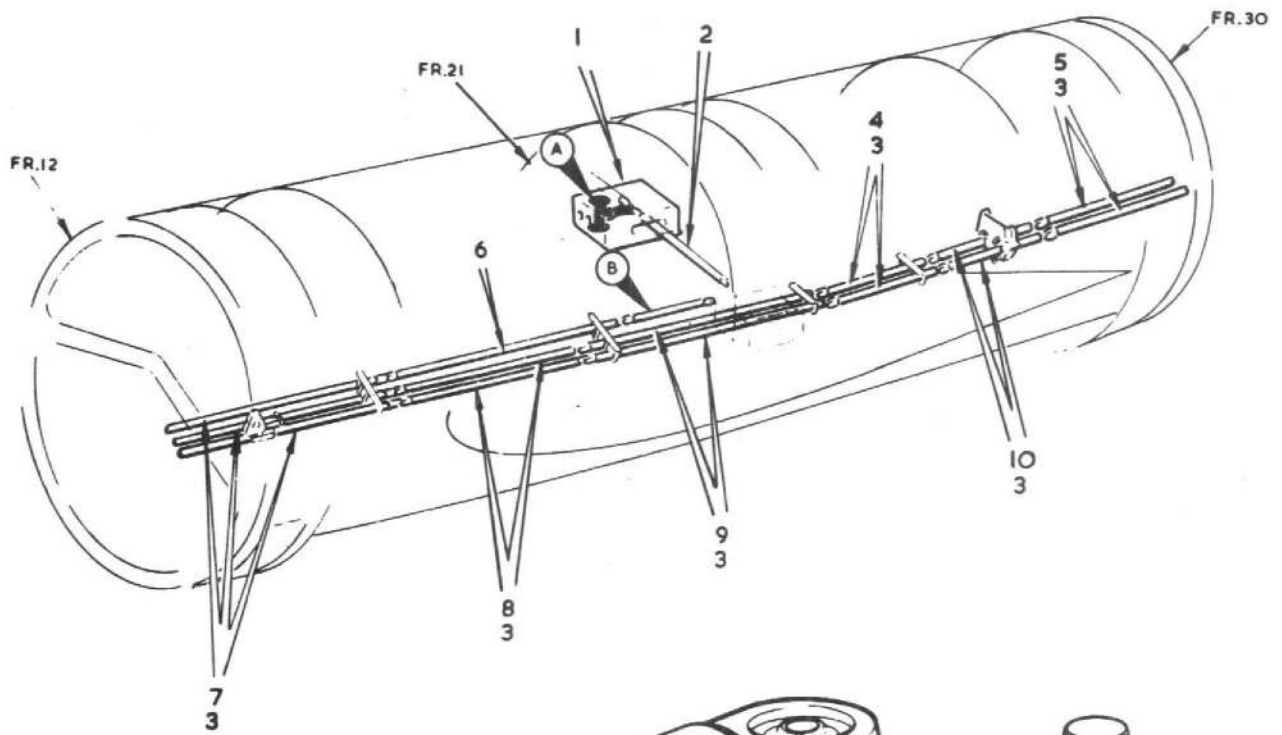
Part Number	1 2 3 4 5 6	Description	No. Off	Matl. Spec.	Plate No.
FS515		Spares for:— BEARING, roller	2	—	
—		SUPPORT, CONTROL TUBE, FRAME No. 25 (EA2.11.75)	—	—	
FS515		Spares for:— BEARING, roller	2	—	
—		SUPPORT, CONTROL TUBE, FRAME No. 27 (EA2.11.79)	—	—	
FS515		Spares for:— BEARING, roller	2	—	
EA2.45.513		TUBE, CONTROL, ELEVATOR, BETWEEN FRAMES 22 AND 25 ASSEMBLY (PRE MOD 4930)	2	—	DB1/4
R EA2.45.857		TUBE, CONTROL, ELEVATOR, BETWEEN FRAMES 22 AND 25 ASSEMBLY (MOD 4930) (PRE MOD 5473)	2	—	
R EA2.45.883		TUBE, CONTROL, ELEVATOR, ASSEMBLY (MOD 5473)	2	—	
R EEAS130		Spares for:— END-FITTING, c/w ballrace (PRE MOD 5473)	1	DTD683	DB1/3
R EA3.45.767		END-FITTING (MOD 5473)	1	—	
EA2.45.509		TUBE, CONTROL, BETWEEN FRAME 19 AND AILERON LEVER, ASSEMBLY (PRE MOD 4930)	1	—	DB1/19
R EA2.45.855		TUBE, CONTROL, BETWEEN FRAME 19 AND AILERON LEVER, ASSEMBLY (MOD 4930) (PRE MOD 5473)	1	—	
R EA2.45.881		TUBE, CONTROL, ASSEMBLY (MOD 5473)	1	—	
EEAS47/2		Spares for:— FORK-END, adjusting Attaching parts for EEAS47/2:—	1	DTD683	DB1/20
EEAS37/13A		Nipple	4	—	DB1/20A
EEAS38/1A		Spoke, 6BA	4	—	DB1/20B
EA2.45.505		TUBE, CONTROL, ELEVATOR, BETWEEN FRAMES 25 AND 28, ASSEMBLY (PRE MOD 4930)	2	—	DB1/10
R EA2.45.853		TUBE, CONTROL, ELEVATOR, BETWEEN FRAMES 25 AND 28, ASSEMBLY (MOD 4930) (PRE MOD 5473)	2	—	
R EA2.45.879		TUBE, CONTROL, ELEVATOR, ASSEMBLY (MOD 5473)	2	—	
EEAS130		Spares for:— END-FITTING, c/w ballrace (PRE MOD 5473)	1	DTD683	DB1/3
R EA3.45.767		END-FITTING (MOD 5473)	1	—	
EA2.45.521		TUBE, CONTROL, ELEVATOR, FROM FRAME 27 TO TRANSPORT JOINT ASSEMBLY (PRE MOD 4930)	2	—	DB1/5
R EA2.45.861		TUBE, CONTROL, ELEVATOR, FROM FRAME 27 TO TRANSPORT JOINT ASSEMBLY (MOD 4930) (PRE MOD 5473)	2	—	
R EA2.45.887		TUBE, CONTROL, ELEVATOR, ASSEMBLY (MOD 5473)	2	—	

AP101B-0407-3A

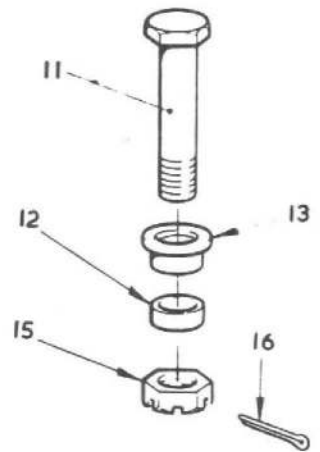
## CONTROLS

## FLYING CONTROLS IN CENTRE FUSELAGE

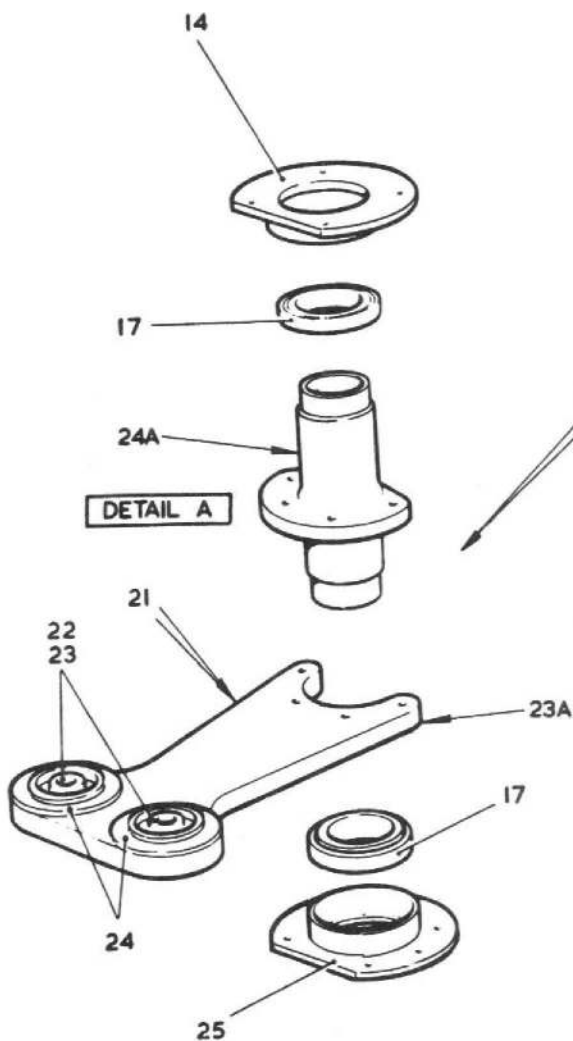
Part Number	Description	No. Off	Matl. Spec.	Plate No.
R	EEAS130	1	DTD683	DB1/3
R	EA3.45.767	1	-	
	EA2.45.517	2	-	DB1/9
R	EA2.45.859	2	-	
R	EA2.45.885	2	-	
R	EEAS130	1	DTD683	DB1/3
R	EA3.45.767	1	-	
	EA2.45.525	1	-	DB1/6
R	EA2.45.863	1	-	
R	EA2.45.889	1	-	
	EA3.45.363	1	-	DB1/2
R	EA3.45.675	1	-	
R	EA3.45.745	1	-	
	EA3.45.359	2	-	DB1/8
R	EA3.45.673	2	-	
R	EA3.45.743	2	-	
R	EEAS130	1	DTD683	DB1/3
R	EA3.45.767	1	-	
	EA2.45.1	-	-	
	EA3.45.359	3	-	DB1/7
	EA3.45.673	3	-	
	EEAS130	1	DTD683	DB1/3
	EEAS13/1	2	S11	DB1/11
	EEAS14	2	S11	DB1/13
	EEAS63E	2	S96	DB1/15
	EEAS127	2	S96	DB1/12
	SP90C7	2	-	DB1/16



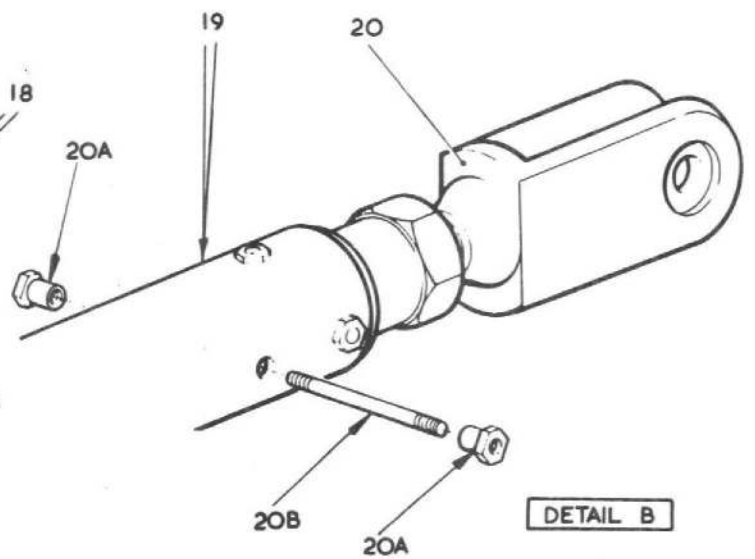
TYPICAL



TYPICAL



DETAIL A



DETAIL B

FIG.1 FLYING CONTROLS IN CENTRE FUSELAGE

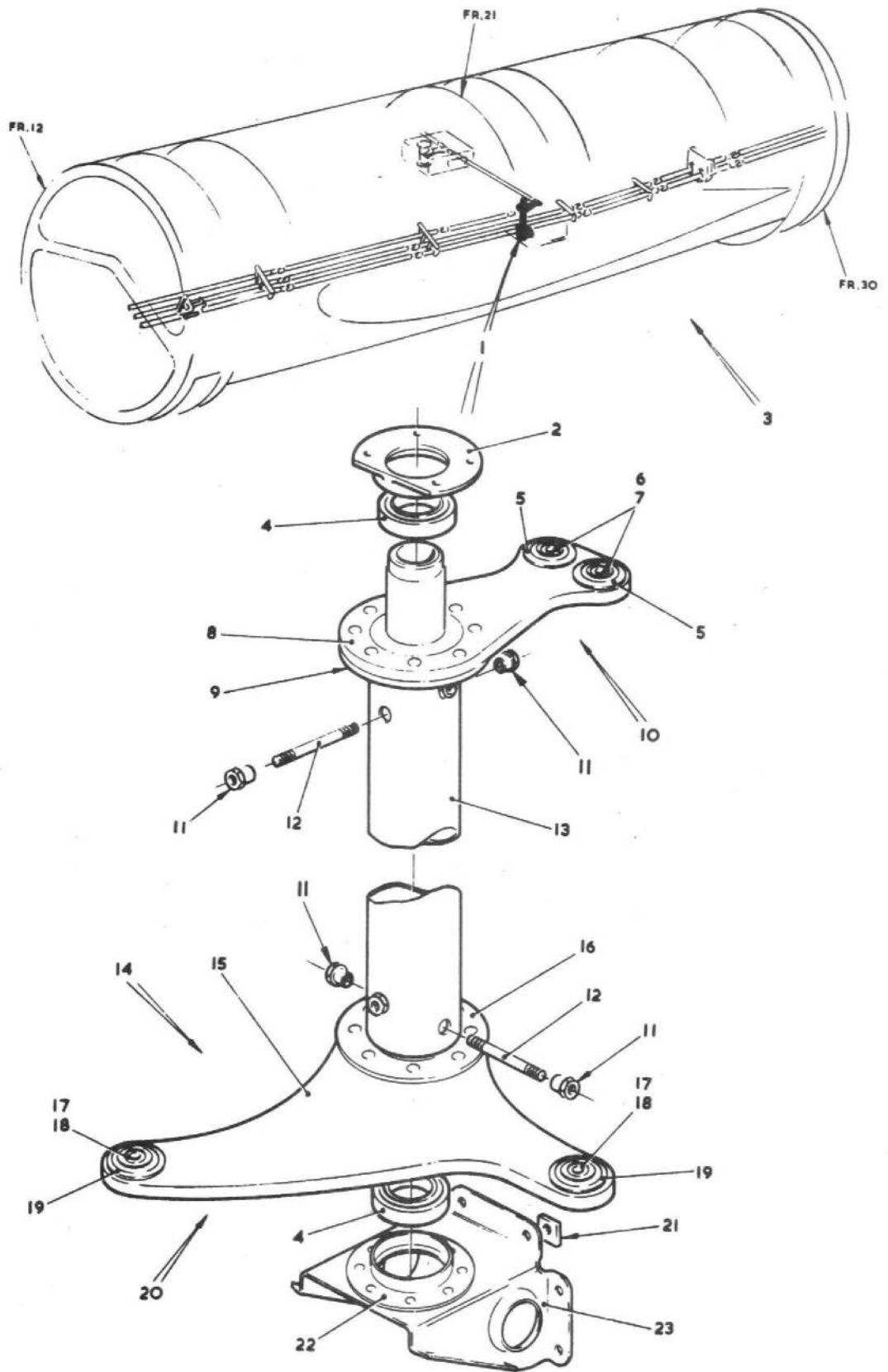


FIG 2 FLYING CONTROLS IN CENTRE FUSELAGE

CODE T

SECT.D8

This file was downloaded  
from the RTFM Library.

Link: [www.scottbouch.com/rtfm](http://www.scottbouch.com/rtfm)

Please see site for usage terms,  
and more aircraft documents.



LIGHTNING MK. 1  
COVER PITOT HEAD  
EB2-88-5111