

AP101B-0407-3A

CONTROLS

FLYING CONTROLS IN REAR FUSELAGE

Part Number	Description	No. Off	Mati. Spec.	Plate No.
EA2.45.531	CONTROLS, FLYING IN REAR FUSELAGE, ASSEMBLY Spares for:—	—	—	
EA1.45.601	. LEVER, CONTROL AND MOUNTING OF BRACKETS AT FRAME 42, ASSEMBLY Spares for:—	1	—	
EA1.45.1193	. . LEVER, CONTROL, ELEVATOR, ASSEMBLY Spares for:—	1	—	DC1/1
HOFFMANN CS1	. . . BEARING, ballrace	2	—	DC1/2
SKEFKO CBA2	. . . BEARING, ballrace	3	—	DC1/3
EA1.45.573	. . . BOBBIN	1	L40	DC1/4
EA1.45.577	. . . BUSH, distance	1	L40	DC1/5
EEAS3D	. . . HOUSING, ballrace	3	L40	DC1/6
EA1.45.1191	. . . LEVER Attaching parts for EA1.45.1191:—	1	—	DC1/7
A25/4C	. . . Bolt, 2BA	4	—	DC1/8
A27CP	. . . Nut, 2BA	4	—	DC1/9
SP16C	. . . Washer	4	—	DC1/10
EEAS4/20C	. . . WASHER, packing Attaching parts for EA1.45.1193:—	6	—	DC1/11
EEAS13/6	. . Bolt, special	1	—	DC1/12A
A58ES	. . Nut, slotted, 1/4" BSF	1	—	DC1/12B
SP90C7	. . Pin, split, 1/16" dia.	1	—	DC1/12
SP15E	. . Washer	1	—	DC1/13
EA1.45.561	. . LEVER, CONTROL, RUDDER, ASSEMBLY Spares for:—	1	—	DC1/14
HOFFMANN CS1	. . . BEARING, ballrace	2	—	DC1/15
EA1.45.575	. . . BOBBIN	1	L40	DC1/16
EA1.45.577	. . . BUSH, distance	1	L40	DC1/17
EA1.45.569	. . . LUG, c/w ballrace Attaching parts for EA1.45.561:—	1	—	DC1/18
EEAS13/7	. . Bolt, special	1	S96	DC1/19
A58ES	. . Nut, thin, slotted, 1/4" BSF	1	—	DC1/19A
SP90C7	. . Pin, split, 1/16" dia	1	—	DC1/19B
SP15E	. . Washer	1	—	DC1/19C
EA2.45.25	. SUPPORT, CONTROL TUBES, AT FRAME 32, ASSEMBLY Spares for:—	1	—	DC1/20
FAIREY AVIATION FS515	. . BEARING, roller	2	—	DC1/21
EA2.45.27	. SUPPORT, CONTROL TUBES, AT FRAME 34, ASSEMBLY Spares for:—	1	—	DC1/22
FAIREY AVIATION FS515	. . BEARING, roller	2	—	DC1/23
R EA2.45.29	. SUPPORT, CONTROL TUBES, AT FRAME 37, ASSEMBLY Spares for:—	1	—	DC1/24
R FS515	. . BEARING, roller	2	—	DC1/25
R EA2.45.31	. SUPPORT, CONTROL TUBES, AT FRAME 39, ASSEMBLY Spares for:—	1	—	DC1/26
R FS515	. . BEARING, roller	2	—	DC1/27

CONTROLS
FLYING CONTROLS IN REAR FUSELAGE

Part Number	Description	No. Off	Matl. Spec.	Plate No.
EA2.45.541	. TUBE, CONTROL, ELEVATOR BETWEEN FRAME 39 AND CONTROL LEVERS ASSEMBLY (PRE MOD 4930)	1	—	DC1/28
R EA2.45.869	. TUBE, CONTROL, ELEVATOR BETWEEN FRAME 39 AND CONTROL LEVERS ASSEMBLY (MOD 4930) (PRE MOD 5473)	1	—	
R EA2.45.895	. TUBE, CONTROL, ELEVATOR, ASSEMBLY (MOD 5473) Spares for:—	1	—	
R EEAS128	. . END-FITTING (PRE MOD 5473)	1	—	DC1/28A
R EA3.45.769	. . END-FITTING (MOD 5473) Attaching parts for EEAS128 or EA3.45.769:—	1	—	
EEAS37/13A	. . Nipple	4	—	DC1/28B
EEAS38/1A	. . Spoke	2	—	DC1/28C
EEAS47/2	. . FORK-END, adjusting	1	DTD683	DC1/29
R EEAS131/2	. . FORK-END (PRE MOD 5473)	1	—	DC1/29A
R EA3.45.765	. . FORK-END (MOD 5473) Attaching parts for EEAS131/2 or EA3.45.765:—	1	—	
EEAS37/13A	. . Nipple	6	—	DC1/29B
EEAS38/1A	. . Spoke	3	—	DC1/29C
A29NP	. . NUT, 1/2" BSF	1	—	DC1/30
R EA2.45.543	. . TUBE (PRE MOD 5473)	1	—	DC1/30A
R EA2.45.919	. . TUBE (MOD 5473)	1	—	
EA2.45.537	. TUBE, CONTROL, ELEVATOR, BETWEEN FRAME 39 AND CONTROL LEVERS, ASSEMBLY (PRE MOD 4930)	1	—	DC1/31
R EA2.45.867	. TUBE, CONTROL, ELEVATOR BETWEEN FRAME 39 AND CONTROL LEVERS, ASSEMBLY (MOD 4930) (PRE MOD 5473)	1	—	
R EA2.45.893	. TUBE, CONTROL, ELEVATOR, ASSEMBLY (MOD 5473) Spares for:—	1	—	
R EEAS128	. . END-FITTING (PRE MOD 5473)	1	—	DC1/31A
EA3.45.769	. . END-FITTING (MOD 5473) Attaching parts for EEAS128 or EA3.45.769:—	1	—	
EEAS37/13A	. . Nipple	4	—	DC1/31B
EEAS38/1A	. . Spoke	2	—	DC1/31C
EEAS47/2	. . FORK-END, adjusting	1	DTD683	DC1/32
R EEAS131/2	. . FORK-END (PRE MOD 5473)	1	—	DC1/32A
R EA3.45.765	. . FORK-END (MOD 5473) Attaching parts for EEAS131/2 or EA3.45.765:—	1	—	
EEAS37/13A	. . Nipple	6	—	DC1/32B
EEAS38/1A	. . Spoke	3	—	DC1/32C
A29NP	. . NUT, 1/2" BSF	1	—	DC1/33
R EA2.45.539	. . TUBE (PRE MOD 5473)	1	—	DC1/33A
R EA2.45.917	. . TUBE (MOD 5473)	1	—	
EA2.45.513	. TUBE, CONTROL, ELEVATOR, BETWEEN FRAMES 34 AND 37, ASSEMBLY (PRE MOD 4930)	2	—	DC1/34
R EA2.45.857	. TUBE, CONTROL, ELEVATOR, BETWEEN FRAMES 34 AND 37, ASSEMBLY (MOD 4930) (PRE MOD 5473)	2	—	
R EA2.45.883	. TUBE, CONTROL, ELEVATOR, ASSEMBLY (MOD 5473) Spares for:—	2	—	
R EEAS130	. . END-FITTING, c/w ballrace (PRE MOD 5473)	1	DTD683	DC1/35
R EA3.45.767	. . END-FITTING (MOD 5473) Attaching parts for EEAS130 or EA3.45.767:—	1	—	
EEAS37/13A	. . Nipple	6	—	DC1/35A
EEAS38/1A	. . Spoke	3	—	DC1/35B

CONTROLS
FLYING CONTROLS IN REAR FUSELAGE

Part Number	Description	No. Off	Matl. Spec.	Plate No.
R EEAS131/2	. . FORK-END (PRE MOD 5473)	1	-	DC1/35C
R EA3.45.765	. . FORK-END (MOD 5473)	1	-	
R	Attaching parts for EEAS131/2 or EA3.45.765:-			
EEAS37/13A	. . Nipple	6	-	DC1/35D
EEAS38/1A	. . Spoke	3	-	DC1/35E
R EA2.45.515	. . TUBE (PRE MOD 5473)	1	-	DC1/35F
R EA3.45.907	. . TUBE (MOD 5473)	1	-	
EA2.45.505	. TUBE, CONTROL, ELEVATOR, BETWEEN FRAMES 31B & 34, ASSEMBLY (PRE MOD 4930)	2	-	DC1/36
R EA2.45.853	. TUBE, CONTROL, ELEVATOR, BETWEEN FRAMES 31B & 34, ASSEMBLY (MOD 4930) (PRE MOD 5473)	2	-	
R EA2.45.879	. TUBE, CONTROL, ELEVATOR, ASSEMBLY (MOD 5473) Spares for:-	2	-	
R EEAS130	. . END-FITTING, c/w ballrace (PRE MOD 5473)	1	DTD683	DC1/37
R EA3.45.767	. . END-FITTING (MOD 5473)	1	-	
R EEAS131/2	. . FORK-END (PRE MOD 5473)	1	-	DC1/37A
R EA3.45.765	. . FORK-END (MOD 5473)	1	-	
R EA2.45.507	. . TUBE (PRE MOD 5473)	1	-	DC1/37B
R EA3.45.903	. . TUBE (MOD 5473)	1	-	
EA3.45.393	. TUBE, CONTROL, FROM CONTROL ARM TO RUDDER, ASSEMBLY (PRE MOD 4930)	1	-	DC1/38
R EA3.45.685	. TUBE, CONTROL, FROM CONTROL ARM TO RUDDER, ASSEMBLY (MOD 4930) (PRE MOD 5473)	1	-	
R EA3.45.755	. TUBE, CONTROL, ASSEMBLY (MOD 5473) Spares for:-	1	-	
R EEAS128	. . END-FITTING (PRE MOD 5473)	1	DTD683	DC1/39
R EA3.45.769	. . END-FITTING (MOD 5473) Attaching parts for EEAS128 or EA3.45.769:-	1	-	
EEAS37/13A	. . Nipple	4	-	DC1/39A
EEAS38/1A	. . Spoke	2	-	DC1/39B
R EEAS47/2	. . FORK-END, adjusting	1	-	DC1/39C
R EEAS131/2	. . FORK-END (PRE MOD 5473)	1	-	DC1/39D
R EA3.45.765	. . FORK-END (MOD 5473) Attaching parts for EEAS131/2 or EA3.45.765:-	1	-	
EEAS37/13A	. . Nipple	6	-	DC1/39E
EEAS38/1A	. . Spoke	3	-	DC1/39F
R A29NP	. . NUT, 1/2" BSF	1	-	DC1/39G
R EA3.45.395	. . TUBE (PRE MOD 5473)	1	-	DC1/39H
R EA3.45.795	. . TUBE (MOD 5473)	1	-	

CONTROLS
FLYING CONTROLS IN REAR FUSELAGE

Part Number	Description	No. Off	Matl. Spec.	Plate No.
R EA2.45.533	. TUBE, CONTROL, ELEVATOR, BETWEEN FRAMES 37 & 39, ASSEMBLY (PRE MOD 4930)	2	—	DC1/39J
R EA2.45.865	. TUBE, CONTROL, ELEVATOR, BETWEEN FRAMES 37 & 39, ASSEMBLY (MOD 4930) (PRE MOD 5473)	2	—	
R EA2.45.891	. TUBE, CONTROL, ELEVATOR, ASSEMBLY (MOD 5473) Spares for:—	2	—	
R EEAS130	. . END-FITTING, c/w ballrace (PRE MOD 5473)	1	DTD683	DC1/40
R EA3.45.767	. . END-FITTING (MOD 5473)	1	—	
R EEAS131/2	. . FORK-END (PRE MOD 5473)	1	DTD683	DC1/41
R EA3.45.765	. . FORK-END (MOD 5473)	1	—	
R EA3.45.317	. TUBE, ELEVATOR, FROM CONTROL ARM TO ELEVATOR, ASSEMBLY (PRE MOD 4930)	1	—	DC1/42
R EA3.45.653	. TUBE, ELEVATOR, FROM CONTROL ARM TO ELEVATOR, ASSEMBLY (MOD 4930) (PRE MOD 5473)	1	—	
R EA3.45.729	. TUBE, CONTROL, ELEVATOR, ASSEMBLY (MOD 5473) Spares for:—	1	—	
R EA3.45.315	. . END-FITTING (PRE MOD 5473)	1	—	DC1/42A
R EA3.45.813	. . END-FITTING (MOD 5473) Attaching parts for EA3.45.315 or EA3.45.813:—	1	—	
R EEAS37/13A	. . Nipple	6	—	DC1/42B
R EEAS38/1A	. . Spoke	3	—	DC1/42C
R EEAS47/2	. . FORK-END, adjusting	1	DTD683	DC1/43
R EA3.45.313	. . FORK-END (PRE MOD 5473)	1	—	DC1/43A
R EA3.45.811	. . FORK-END (MOD 5473) Attaching parts for EA3.45.811 or EA3.45.313:—	1	—	
R EEAS37/13A	. . Nipple	8	—	DC1/43B
R EEAS38/1A	. . Spoke	4	—	DC1/43C
R A29NP	. . NUT, 1/2" BSF	1	—	DC1/44
R EA3.45.319	. . TUBE (PRE MOD 5473)	1	—	DC1/44A
R EA3.45.775	. . TUBE (MOD 5473) Attaching parts for control tubes:—	1	—	
R EEAS13/1	. Bolt, special	2	S11	DC1/45
R EEAS14	. Bush	2	S11	DC1/46
R EEAS63E	. Nut	2	S96	DC1/47
R EEAS127	. Piece, distance	2	S96	DC1/48
R SP90C7	. Pin, split	2	—	DC1/48A

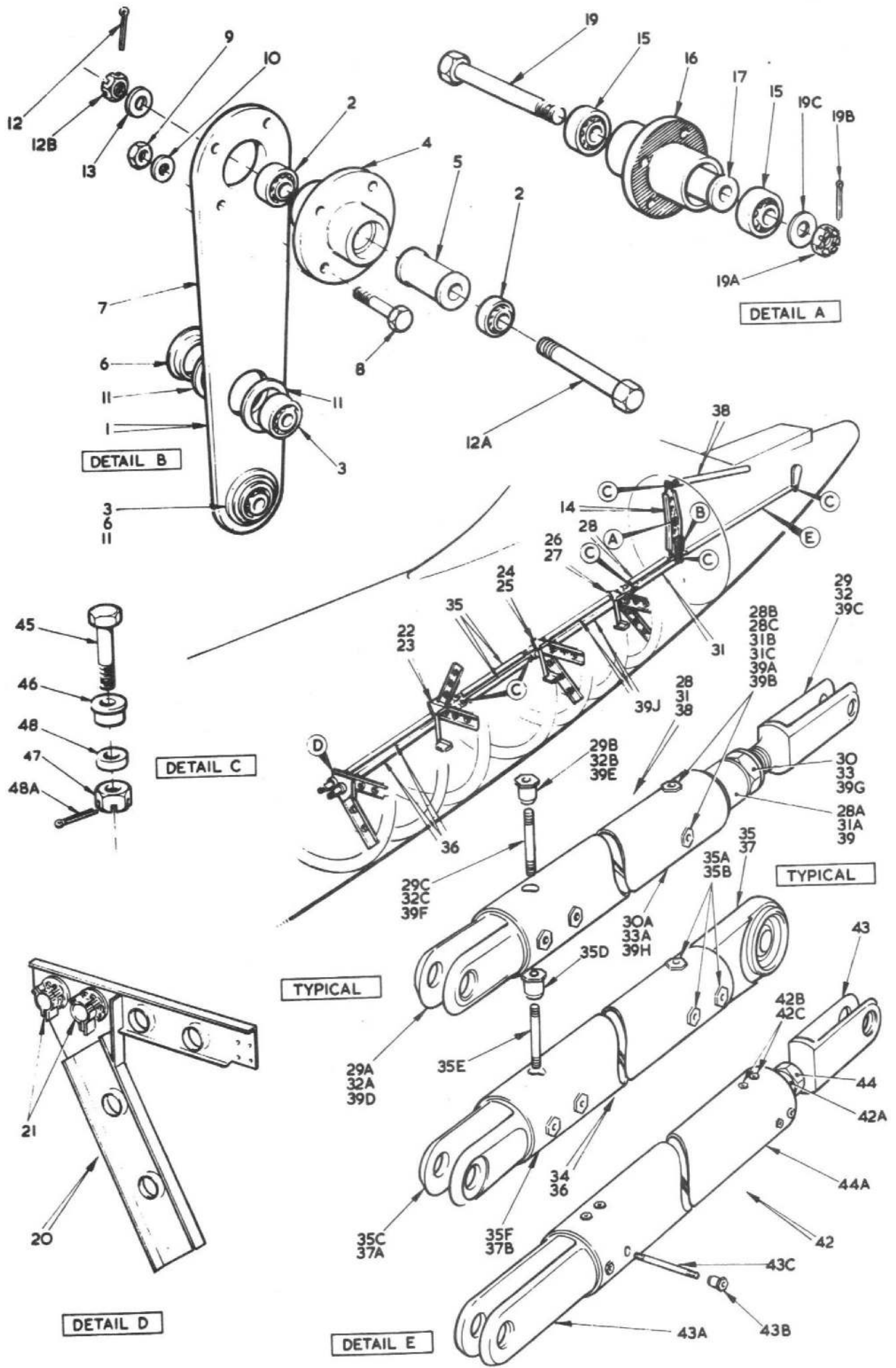


FIG.1 FLYING CONTROLS IN REAR FUSELAGE

This file was downloaded from the RTFM Library.

Link: www.scottbouch.com/rtfm

Please see site for usage terms, and more aircraft documents.



Instrument panel from a MiG-21 (XP558)