

EQUIPMENT

GROUND AND MAINTENANCE

Part Number	Description	No. Off	Matl. Spec.	Plate No.	
					1
EA1.88.2	GROUND EQUIPMENT ASSEMBLY	-	-		
	Spares for:-				
EA1.88.77	. ADAPTOR, fuselage jacking	1	-	F1/1	
	Spares for:-				
AGS120C	. . . NUT, wing	1	-	F1/1A	
SP47E	. . . WASHER, spring	1	-	F1/1B	
EA2.88.123	. ADAPTOR, service stand, photo flash crate (MOD 2525-S.O.O.)	1	-		
772B23950	. ADAPTOR, oleo charging	2	-	F3/9	
J53939	. ADAPTOR-SETS, engine stand	1	-		
BRITOOOL AP.ES	. ADAPTOR, canopy to fuselage, torque wrench (Mod 2536-S.O.O.)	1	-		
EA3.88.157	. ARM, NOSEWHEEL STEERING, ASSEMBLY	1	-	F1/2	
	Spares for:-				
EA3.88.57	. . . ARM, STEERING, ATTACHMENT	1	-	F1/3	
	Spares for:-				
EA3.88.47 BAR, release, axle pin	2	-	F1/4	
EA3.88.49 BAR, release, plunger	2	-	F1/5	
EA3.88.51 BUSH	2	-	F1/6	
EA3.88.43 GUIDE, plunger	2	-	F1/7	
EA3.88.55 PIN, adaptor	2	-	F1/8	
	Attaching parts for EA3.88.55:-				
A25/30J Bolt, 3/8" BSF	4	-	F1/8A	
A27/JP Nut, 3/8" BSF	4	-	F1/8B	
SP47J Washer, spring	4	-	F1/8C	
EA3.88.25 PIN, axle, port	1	-	F1/9	
EA3.88.27 PIN, axle, starboard	1	-	F1/10	
EA3.88.45 PLUNGER	2	-	F1/11	
A55C6 SCREW, grub, 2BA	2	-	F1/30	
A33B12 SCREW, csk. head, 4BA	2	-	F1/31	
EA3.88.69 SPRING	2	-	F1/12	
EA3.88.53 WASHER, saddle	2	-	F1/13	
	Attaching parts for EA3.88.57:-				
A25/30N Bolt, 1/2" BSF	2	-	F1/32	
A27NP Nut, 1/2" BSF	2	-	F1/33	
SP47N Washer	2	-	F1/34	
FLEXELLO 633C1	. . . CASTOR, unit	2	-	F1/14	
EA3.88.15	. ATTACHMENT, NOSE TOWING BAR, ASSEMBLY	1	-	F1/15	
	Spares for this assembly are identical with those for assembly Part No. EA3.88.57 except for the following deletion and addition				
	Delete:-				
EA3.88.55	. . . PIN, adaptor	2	-		
	Add:-				
EA3.88.37	. . . PIN, adaptor	2	-	F1/16	
DIS104	. BAR, towing	1	-	F1/17	
ELECTRO HYDS					
T1342/75	. BLOCK, split for air brakes jack servicing	1	-	F2/23	
EA1.88.889	. BOLT, slave, canopy (ST4833) (Mod 2536-S.O.O.)	32	S97	F2/1	
EA3.88.307	. BRACKET, MAIN WHEEL JACKING ASSEMBLY	2	-	F3/1	
	Spares for:-				
EA3.88.219	. . . BOLT, special	2	S94 or S95	F3/2	
EA3.88.215	. . . NUT, special	2	-	F3/2A	

EQUIPMENT
GROUND AND MAINTENANCE

Part Number	Description	No. Off	Matl. Spec.	Plate No.
EA3.88.79	. BRIDLE, detachable, for wing slinging Spares for:—	1	—	F4/1
EA1.51.17	. . BEARING, spherical	2	—	F4/31
R EA3.88.85	. . PICK-UP	2	—	
or				
EA3.88.381	. . PICK-UP	2	—	F4/32
EA1.51.19	. . PIN	2	—	F4/33
R 4GB/4409987	. BRIDLE, towing, main undercarriage	1	—	
EA3.88.91	. CLAMP, AILERON LOCKING, ASSEMBLY Spares for:—	1	—	F3/3
EA3.88.103	. . PENNANT	2	—	F3/4
EA3.88.101	. . STRAP, assembly	1	—	F3/5
EA3.88.92	. CLAMP, AILERON LOCKING ASSEMBLY Spares for:—	1	—	F3/6
EA3.88.103	. . PENNANT	2	—	F3/4
EA3.88.102	. . STRAP, assembly	1	—	F3/7
EA1.88.73	. CLAMP, ELEVATOR LOCKING, STARBOARD ASSEMBLY Spares for:—	1	—	F4/2
EA1.88.185	. . PENNANT	1	—	F4/3
R AGS2105-617	. . PIN, 'Pip'	2	—	F4/4
EA1.88.873	. CLAMP, ELEVATOR LOCKING, PORT ASSEMBLY	1	—	F4/5
EA1.88.185	. . PENNANT	1	—	F4/3
AGS2105-617	. . PIN, 'Pip'	2	—	F4/4
EA3.88.153	. CLAMP, RUDDER LOCKING, ASSEMBLY (PRE-MOD 5096)	1	—	F4/6
EA3.88.383	. CLAMP, RUDDER LOCKING, ASSEMBLY (MOD 5096) Spares for:—	1	—	F4/6A
EEAS20/2ER	. . LUG	4	—	F4/30
EA3.88.97	. . PENNANT, assembly	1	—	F4/6B
AVDEL A413	. . PIN, 'Pip'	1	—	F4/7
TERRY EX12	. . SPRING	1	—	F4/8
EB6.88.35	. COVERS, AIRCRAFT, ASSEMBLY Spares for:—	—	—	
EA3.88.301	. . COVER, nose	1	—	F5/1
EA1.88.401	. . COVER, coupe	1	—	F5/2
EA9.38.27	. . COVER, engine	2	—	F5/3
EA1.88.405	. . COVER, jet-pipe	2	—	F5/4
EA1.88.407	. . COVER, main wheel	2	—	F5/5
EA1.88.409	. . COVER, nose wheel	2	—	F5/6
EA1.88.597	. . COVER, pressure head	1	—	F5/7
EA1.88.787	. . COVER, equipment door	1	—	F5/8
EB7.88.131	. COVER, window photo cells (Mod G.E. 1284—S.O.O.)	2	—	
EA2.88.5003	. COVER, photo flash crate (Mod G.E. 2525—S.O.O.)	1	—	
EA3.88.211	. CRADLE, for handling jettisonable wing tanks	1	—	
EA1.88.417	. CRADLE, retraction test (For use at frame 13)	1	—	F4/9
EA1.88.419	. CRADLE, retraction test (For use at frame 29)	1	—	F4/10
EA1.88.551	. DISC, setting, engine controls, starboard, 12 SWG	2	L72	F2/2
EB6.88.27	. DISC, setting, engine controls, port, 12 SWG	1	L72	F2/3

GROUND AND MAINTENANCE

Ref. No.	Part No.	Description	No. off	Matl. Spec.	Cl. of Equip M.R. L.M.	Plate No.
		EQUIPMENT SIGHTING, COMPASS ALIGNMENT ASSEMBLY (MOD 2627—S.O.O.)	—	—	—	
95563	EA9.88.481	Spares for:—				
95562	EA9.88.479	. . . CASE, carrying assembly	1	—	B	
		. . . ROD, SIGHTING, AFT, ASSEMBLY	1	—	A	
		Spares for:—				
	EA9.88.497	. . . BRACKET, mounting (spirit level)	1	—	—	
	EA9.88.445	. . . BRACKET, rod, sighting	1	—	—	
	EA9.88.447	. . . JOINT, ball (inner)	1	DEF131A	—	
	EA9.88.449	. . . JOINT, ball (outer)	1	DEF131A	—	
	EA9.88.467	. . . KNOB	1	DEF131A	—	
	COOKE TROUGHTON & SIMS LTD.					
	E985	. . . LEVEL, spirit, circular	1	—	—	
	EA9.88.495	. . . SHAFT	1	—	—	
	EA9.88.469	. . . STUD, special	1	DEF131A	—	
95561	EA9.88.477	. . . ROD, SIGHTING, FORWARD, ASSEMBLY	1	—	A	
		Spares for:—				
	EA9.88.513	. . . BRACKET, mounting (spirit level)	1	DEF131A	—	
	EA9.88.505	. . . CHUCK, inner portion	1	DEF131A	—	
	EA9.88.507	. . . CHUCK, sleeve	1	DEF131A	—	
	EA9.88.515	. . . CLIP	2	DEF131A	—	
	EA9.88.447	. . . JOINT, ball (inner)	1	DEF131A	—	
	EA9.88.449	. . . JOINT, ball (outer)	1	DEF131A	—	
	EA9.88.517	. . . JOINT, ball (rod end)	1	DEF131A	—	
	COOKE TROUGHTON & SIMS LTD.					
	E985	. . . LEVEL, spirit, circular	1	—	—	
	EA9.88.509	. . . PLATE, sighting	1	DEF131A	—	
	EA9.88.519	. . . ROD	1	DEF131A	—	
	EA9.88.511	. . . TIP, sighting	1	DEF131A	—	
	EA9.88.503	. . . TUBE, 1 1/2" o/d x 22 SWG	1	—	—	
95047	EA1.88.359	. . . EXTRACTOR, wing to fuselage, pick up pins	1	—	B	F2/4
95044	EA1.88.375	. . . EXTRACTOR, for tab torque tube lever	1	—	B	F2/5
95104	EA1.88.825	. . . EXTRACTOR, for aileron hinge pin	1	—	B	F2/6
95292	A6300	. . . EXTRACTOR, and assembly tool for wheel	1	—	A	
95462	EB6.88.103	. . . EXTRACTOR, rudder, blow back rod (Mod G.E.1912—S.O.O.)	1	—	B	F2/7
27G/5105	A10056	. . . FIXTURE, hydraulic brake alignment	1	—	B	
	EA1.88.91	. . . FORMERS, ASSEMBLY, PORT	—	—	—	F5/9
95025	EA1.88.91A	. . . FORMER, wing lifting gantry, forward, port	1	—	B	F5/10
95026	EA1.88.91B	. . . FORMER, wing lifting gantry, centre, port	1	—	B	F5/11
95027	EA1.88.91C	. . . FORMER, wing lifting gantry, aft, port	1	—	B	F5/12
95028	EA1.88.91D	. . . FORMER, wing lifting gantry, forward, port	1	—	B	F5/13
95029	EA1.88.91E	. . . FORMER, wing lifting gantry, centre, port	1	—	B	F5/14
95030	EA1.88.91F	. . . FORMER, wing lifting gantry, aft, port	1	—	B	F5/15
	EA1.88.92	. . . FORMERS, ASSEMBLY, STARBOARD	—	—	—	F5/16
		Spares for:—				
95031	EA1.88.92A	. . . FORMER, wing lifting gantry, forward, starboard	1	—	B	F5/17
95032	EA1.88.92B	. . . FORMER, wing lifting gantry, centre, starboard	1	—	B	F5/18
95033	EA1.88.92C	. . . FORMER, wing lifting gantry, aft, starboard	1	—	B	F5/19
95034	EA1.88.92D	. . . FORMER, wing lifting gantry, forward, starboard	1	—	B	F5/20
95035	EA1.88.92E	. . . FORMER, wing lifting gantry, centre, starboard	1	—	B	F5/21
95036	EA1.88.92F	. . . FORMER, wing lifting gantry, aft, starboard	1	—	B	F5/22

EQUIPMENT
GROUND AND MAINTENANCE

Ref. No.	Part No.	Description	No. off	Matl. Spec.	Cl. of Equip M.R. L.M.	Plate No.
4Q/1245	†	. GANTRY, lifting, main plane	2	—	A	F5/23
95115	EA3.88.179	. GAUGE, tailplane incidence and dihedral	1	—	A	F4/11
95010	EA1.88.93	. GAUGE, wing incidence dihedral	1	—	A	F3/10
95040	EA1.88.447	. GAUGE, levelling, cockpit lateral and fuselage longeron	1	—	A	F1/18
95093	EA1.88.747	. GAUGE, levelling, cockpit longeron and fuselage lateral	1	—	A	F1/19
95532	EA1.88.893	. GAUGE, inspection, assembly of canopy to fuselage	1	—	B	F2/8
95100	EA1.88.823	. GAUGE, aileron, fixed tab angle checking	1	—	A	F2/9
95273	EA1.88.785	. GEAR LIFTING, COMPLETE AIRCRAFT, ASSEMBLY (MOD G.E.876—S.O.O.)	2	—	A	F3/11
		Spares for:—				
95526	EA3.88.317	. BOLT, special shouldered	2	S97	C	F3/12
	†	. NUT, 3/4" Whitworth	2	—	C	F3/12A
	EA3.88.315	. RING, lifting, and cable assembly	1	—	—	F3/12B
95527	EA3.88.319	. WASHER, special	2	MS	C	F3/13
95276	EB7.88.15	. GUARD, AIR INTAKE DEBRIS, ASSEMBLY (For use on a/c not embodying Avon Mod 843)	2	—	B	F5/24
		Spares for:—				
95503	EA3.88.295	. BOLT, key	2	MS	C	F5/25
95538	EB7.88.205	. GUARD, AIR INTAKE DEBRIS, ASSEMBLY (For use on a/c embodying Avon Mod 843)	2	—	B	F5/24
		Spares for:—				
95503	†	. ADHESIVE, P.R.C. compound	QR	—	—	
28S/1214853	EA3.88.295	. BOLT, key	2	MS	C	F5/25
	4100/8/8"	. SCREW, P.K.	21	—	C	F5/28
	EB7.88.207	. SEGMENT	3	LFS21	—	F5/29
	EB7.88.209	. STRIP, felt, 3/16" x 1.0" x 38" long	1	DTD590	—	F5/27
1B/9575041	†	. GUN, lubricating	1	—	A	
4Q/4230825	EA1.88.257	. HEAD, 10 ton jacking adaptor	1	MS	A	F3/14
4Q/4230661	†	. HEAD, adaptor, for 15 ton pillar jack	2	—	A	F3/8
	EB7.88.199	. HOIST, MINILIFT, 25LBS., GREEN SATIN INSTALLATION GROUP (MOD G.E.1261—S.O.O.)	1	—	—	
		Consisting of:—				
4G/5433	25/41	. END, ball	1	—	B	
4G/5430	39/2	. HANDLE, winding, c/w slipping clutch, 6"	1	—	B	
4G/5425	25/63	. MECHANISM, winding, 250lbs., 20ft. lift	1	—	B	
4G/5432	30/14	. SHEATH, top	1	—	B	
4G/5431	29/13	. TUBE, extension, 4 1/2"	1	—	B	
95293	EA1.88.831	. INDICATOR, engine controls setting disc, 20 SWG	1	DTD124	A	F2/10
95051	EA1.88.349	. INSERTER, piston ring, main u/c oleo leg	1	L72	A	F2/11
95048	EA1.88.363	. INSERTER, wing to fuselage pick up pins	1	—	A	F2/12
95052	EA1.88.383	. INSERTER, main oleo pivot point bush	1	—	A	F2/13
95050	EA1.88.389	. INSERTER, for bushes in torque links main oleo leg	1	—	A	F2/14
95053	EA1.88.391	. INSERTER, and extractor for sealing rings, main oleo leg	1	—	A	F2/15
95088	EA1.88.733	. INSERTER, main u/c pivot pin	1	—	A	F2/16
4Q/4230641	†	. JACK, hydraulic, fuselage	1	—	A	F1/21
4Q/1045838	†	. JACK, 10 ton, hydraulic, main wing	2	—	A	F3/15
4Q/1045837	†	. JACK, 15 ton, hydraulic, pillar	2	—	A	F3/16
95647	FT8/2571	. JIG, alignment, vent mast	1	—	B	
95063	EA1.88.395	. KEY, hydraulic tank	1	—	B	F6/20
1970	EA1.40.169	. LUG, picketing and towing	2	S11	C	F4/12

EQUIPMENT
GROUND AND MAINTENANCE

Part Number	Description	No. Off	Matl. Spec.	Plate No.
D2606Y	. NOZZLE, flexible c/w gauge	1	—	
EA1.88.255	. PIN, nosewheel locking	1	—	F1/22
EA1.88.891	. PIN, locating (ST8/4842) (Mod 2536—S.O.O.)	6	—	F2/17
EB6.88.29	. PLATE, setting, bellocrank lever, engine control, port	1	L59	F2/18
EA1.88.548	. PLATE, setting, bellocrank lever, engine control, starboard	1	—	F2/19
EA1.88.549	. PLATE, setting, throttle box, 16 SWG	1	L72	F2/20
EA2.88.5001	. PLATFORM, TROLLEY LOADING, PHOTOFLASH (MOD 2525—S.O.O.)	1	—	
	Spares for:—			
EA3.88.5007	. . HOOK, swinging	4	—	
AVDEL A421	. . PIN, 'Pip'	4	—	
EA3.88.281	. PLUG, BLANKING, CABIN PRESSURE CONTROL VALVE, GROUP	1	—	F1/23
	Consisting of:—			
†	. . CHAIN, retaining	QR	Brass	F1/24
EA2.88.77	. . PENNANT	1	—	F1/25
EA3.88.283	. . PLUG	1	L40	F1/26
†	. . RING, split, 3/4" o/d x 1/16"	2	—	F1/27
IN15258	. PLUG, protective, static vent	4	—	
4G4420031	. PUMP, oleo, type F	1	—	
1C9105853	. SCREWDRIVER	1	—	
EB7.88.1	. SEAL, engine, dust	2	—	F5/31
EB6.88.85	. SLAVE, cowing, port and starboard (Mod G.E.1468—S.O.O.)	2	—	F5/30
EA1.88.743	. SLEEVE, MAIN UNDERCARRIAGE WHEEL LOCKING, GROUP	2	—	F3/17
	Spares for:—			
EA2.88.77	. . PENNANT	1	—	F3/18
AVDEL A817	. . PIN, 'Pip', quick release	2	—	F3/19
EA2.88.1	. SLING, front and centre fuselage lifting, complete	1	—	F4/13
EA1.88.919	. SLING and frame, main plane lifting, complete (Mod GE 5224)	1	—	F3/20
	Spares for:—			
EA1.88.919G	. . CABLE, 1/2" dia, 6 x 19	1	BS302	F3/21
EA1.88.919H	. . CABLE, 1/2" dia, 6 x 19	1	BS302	F3/22
EA1.88.919J	. . CABLE, 1/2" dia, 6 x 19	1	BS302	F3/23
EA1.88.919K	. . CABLE, 1/2" dia, 6 x 19	1	BS302	F3/24
EA1.88.919M	. . CABLE, 1/2" dia, 6 x 19	1	BS302	F3/25
EA1.88.919N	. . CABLE, 1/2" dia, 6 x 19	1	BS302	F3/26
EA1.88.919P	. . CABLE, 1/2" dia, 6 x 19	1	BS302	F3/27
EA1.88.919R	. . CABLE, 1/2" dia, 6 x 19	1	BS302	F3/28
A9	. . FERRULE, cable	4	—	F3/29
A13	. . FERRULE, cable	12	—	F3/30
EA1.88.17	. . HOOK	1	—	F3/31
EA1.88.927	. . HOOK	1	—	F3/32
EA1.88.933	. . LABEL, ident	1	—	F3/33
EA1.88.925	. . NUT and bolt assembly	3	—	F3/34
EA1.88.923	. . RING	3	—	F3/35
EA1.88.921	. . SHACKLE	6	—	F3/36
	Attaching parts for EA1.88.921:—			
EA1.88.929	. . Bolt, 3/8"	1	—	F3/37
MS103/28	. . Nut, 3/8"	1	—	F3/38
SP18J	. . Washer	1	—	F3/39
EA1.88.919A	. . TUBE, 3" o/d x 203" long	1	—	F3/40
EA1.88.919B	. . TUBE, 3" o/d x 143.8" long	1	—	F3/41
EA1.88.919C	. . TUBE, 3" o/d x 167.4" long	1	—	F3/42
	Attaching parts for EA1.88.919A EA1.88.919B and EA1.88.919C:—			
EA1.88.931	. . Bolt, 1/2"	1	—	F3/43
MS103/29	. . Nut, 1/2"	1	—	F3/44
SP90G10	. . Pin, split	1	—	F3/45
SP18N	. . Washer	1	—	F3/46
SP122.S	. . WASHER	3	—	F3/47

EQUIPMENT
GROUND AND MAINTENANCE

Part Number	Description	No. Off	Matl. Spec.	Plate No.
R EB6.88.39	. SLING, INTEGRAL TANK, ASSEMBLY (Mod GE.1292-S.O.O.) Spares for:-	1	-	F3/48
R EB6.88.57	. . BOLT, eye	1	S92	F3/49
R EA1.88.59	. SLING, tailplane	1	-	F4/14
R EA1.88.65	. SLING, rear fuselage, complete	1	-	F4/15
R EA2.88.5005	. SLING, spreader, cameras (Mod GE.2526)	1	-	
R EB7.88.135	. SLING, front and rear assembly, tracking unit green satin (Mod GE.1261-S.O.O.)			
R EB7.88.143	. SLING, rear assembly, T/R green satin (Mod GE 1261-S.O.O.)	1	-	
R EB7.88.183	. SLING, front assembly, T/R green satin (Mod GE 1261-S.O.O.)	1	-	
R EA1.88.601	. SLING, fin and rudder	1	-	F4/16
R H5572	. SOCKET, $\frac{7}{16}$ " BSF, for explosive bolts	1	-	
R H4532	. SOCKET, $\frac{3}{4}$ " BSF, for attachment bolts	2	-	
R H4541	. SOCKET, 1" BSF, for attachment bolts	6	-	
R EA2.88.113	. SPANNER, box, for ventral tank filler pipe	1	-	
R EA3.88.135	. SPANNER, main u/c oleo axle clamp	1	Steel	F6/2
R EB7.88.203	. SPANNER, fuel pump pipe integral tank (Mod GE 1730-S.O.O.)	1	S3	
R EA1.88.263	. SPANNER, integral and drop tanks, drain plugs	1	DTD124A	F6/4
R EA1.88.293	. SPANNER, wing tip tank, drain plug	1	-	F6/5
R EA1.88.877	. SPANNER, nosewheel 'up' locks release	1	-	F6/6
R EA1.88.345	. SPANNER, torque link, main u/c special screw	1	DTD124A	F6/7
R EA1.88.347	. SPANNER, special 'C', main u/c oleo stop nut	1	-	F6/8
R EA1.88.353	. SPANNER, special, main u/c oleo piston	1	-	F6/9
R EA3.88.303	. SPANNER, special, main u/c oleo bearing ring	1	Steel	F6/10
R EA1.88.365	. SPANNER, special, plug, forward jacking point housing	1	-	F6/11

EQUIPMENT
GROUND AND MAINTENANCE

Part Number	Description 1 2 3 4 5 6	No. Off	Matl. Spec.	Plate No.

EQUIPMENT
GROUND AND MAINTENANCE

Part Number	Description	No. Off	Matl. Spec.	Plate No.
EA1.88.379	. SPANNER, universal, for attaching aileron to centre hinge bracket	1	—	F6/12
EA1.88.385	. SPANNER, special, for u/c pivot pin	1	—	F6/13
EA1.88.387	. SPANNER, special, for u/c pivot pin	1	—	F6/14
EA1.88.531	. SPANNER, special, for drop tank assembly	1	—	F6/15
1C9106265	. SPANNER, union, main fuel feed	2	—	
EA1.88.23	. SPIGOT, forward jacking, front fuselage	1	S65	F1/28
EA9.88.257	. STAND, servicing (Mod G.E.2525—S.O.O.)	1	—	
EB6.88.81	. STRAP INNER INTEGRAL TANK ASSEMBLY GROUP (MOD 1292—S.O.O.) Spares for:—	1	—	F3/50
EB6.88.119	. . BOLT, sub-assembly	1	—	
EB6.88.121	. . BOLT, sub-assembly	1	—	
EB6.88.47	. . BRACKET, guide inner	1	—	
EB6.88.83	. STRAP, outer, integral tank assembly (Mod 1292)S.O.O.)	1	—	F3/51
EB7.88.129	. STRAP, for camera sling (Mod 1284—S.O.O.)	2	Nylon Rope	
EA1.88.799	. STRUT, jury, tailplane	1	—	F4/17
EB7.88.53	. TEMPLATE, NEUTRAL, RIGGING ASSEMBLY Spares for:—	—	—	F4/18
EB7.88.55	. . TEMPLATE, neutral rigging, elevator	1	—	F4/19
EB7.88.65	. . TEMPLATE, neutral rigging, aileron	1	—	F4/20
EA3.88.247	. . TEMPLATE, neutral rigging, rudder	1	—	F2/21
EA2.88.71	. TIE, FLARE DOOR JURY, GROUP Spares for:—	2	—	F4/21
EA2.88.77	. . PENNANT	1	—	F4/22
AVDEL A407	. . PIN, 'Pip'	2	—	F4/23
TERRY No. 169-3/4"	. . RING, split	8	—	F4/24
EB6.88.101	. TOOL, seperating, assembly	1	—	F6/19
EA1.88.351	. TOOL, shock absorbing, piston centralising	1	—	F6/16
EA1.88.361	. TOOL, special combination, main u/c oleo insertion and spherical bearing extraction	1	—	F6/17
EA1.88.921	. TOOL, setting, for aileron fixed tab	1	—	F6/18
MARTIN BAKER A/MBEU/70/EE	. TOOL, for cocking and uncocking snatch unit	1	—	
4Q4230643	. TRESTLE, fuselage jacking, Mk. 2	1	—	F1/29
4Q4230849	. TRESTLE, wing jacking, Mk. 1	2	—	F3/52
EA1.88.87	. TRESTLES, REAR FUSELAGE, ASSEMBLY Spares for:—	—	—	F4/25
EA1.88.87A	. . FORMER, forward	1	Spruce	F4/26
EA1.88.87B	. . FORMER, aft	1	Spruce	F4/27
4G2668	. TROLLEY, bomb, type F (Mod 2525—S.O.O.)	1	—	
ALVIS 18101	. TROLLEY, BOMB LOADING, HYDRAULIC, MK. 2 (MOD G.E.2525—S.O.O.)	1	—	
EA2.88.35	. TROLLEY, VENTRAL TANK ASSEMBLY Spares for:—	1	—	F4/29
EA2.88.53	. . WHEEL, trolley (Capowheel T82)	4	—	F4/28
EB7.88.149	. TROLLEY, front and rear assembly, green satin installation (Mod 1261—S.O.O.)	1	—	
4F1041044	. TROLLEY, Mk. 1, pressure cabin testing	1	—	
4F2088744	. TROLLEY, Mk. 1A, servicing, hydraulic	2	—	
1C9551731	. WRENCH, torque, for attachment bolts	1	—	
1C1201251	. WRENCH, torque, pilots canopy	1	—	
BRITool EVT600	. WRENCH, torque, for explosive bolts, canopy to fuselage attachment (Mod 2536—S.O.O.)	1	—	

GROUND AND MAINTENANCE

Ref. No.	Part No.	Description	No. off	Matl. Spec.	Cl. of Equip M.R. L.M.	Plate No.
		TRANSPORTATION EQUIPMENT				
95279	—	. BEAM, transportation, fuselage nose (43G/SAL/180)	1	Deal	B	
95280	—	. BEAM, transportation, mid section front fuselage (43G/SAL/180)	1	Deal	B	
95281	—	. BEAM, transportation fuselage, rear section (rear) (43G/SAL/181)	1	Deal	B	
95282	—	. BEAM, transportation fuselage, rear section (front) (43G/SAL/181)	1	Deal	B	
95285	—	. BEAM, transportation fuselage, mid section (rear) (43G/SAL/182)	1	Ash	B	
95289	—	. BEAM, transportation, main plane outer port (43G/SAL/194)	1	Ash	B	
95290	—	. BEAM, transportation, main plane outer starboard (43G/SAL/194)	1	Ash	B	
95291	—	. BEAM, transportation (support blocks) main plane (43G/SAL/195)	2	RSJ	B	
95286	—	. BLOCK, transportation, main plane (43G/SAL/185)	2	Ash	B	
95287	—	. BLOCK, transportation, main plane, rear (43G/SAL/185)	2	Ash	B	
95288	—	. BLOCK, transportation, main plane centre (43G/SAL/185)	2	Ash	B	
95598	—	. CLAMP, plate front, No. 2 universal trestle front and mid section transportation (41G/SAL/297)	1 set	MS	B	
95599	—	. CLAMP, plate, rear (41G/SAL/298)	1 set	MS	B	
95283	—	. PEDESTAL, transportation, tailplane (43G/SAL/183)	1	MS	B	
95284	—	. PEDESTAL, transportation, tailplane (43G/SAL/184)	2	MS	B	
		NOTE:—The number off shown is the quantity required for the transportation of one aircraft				

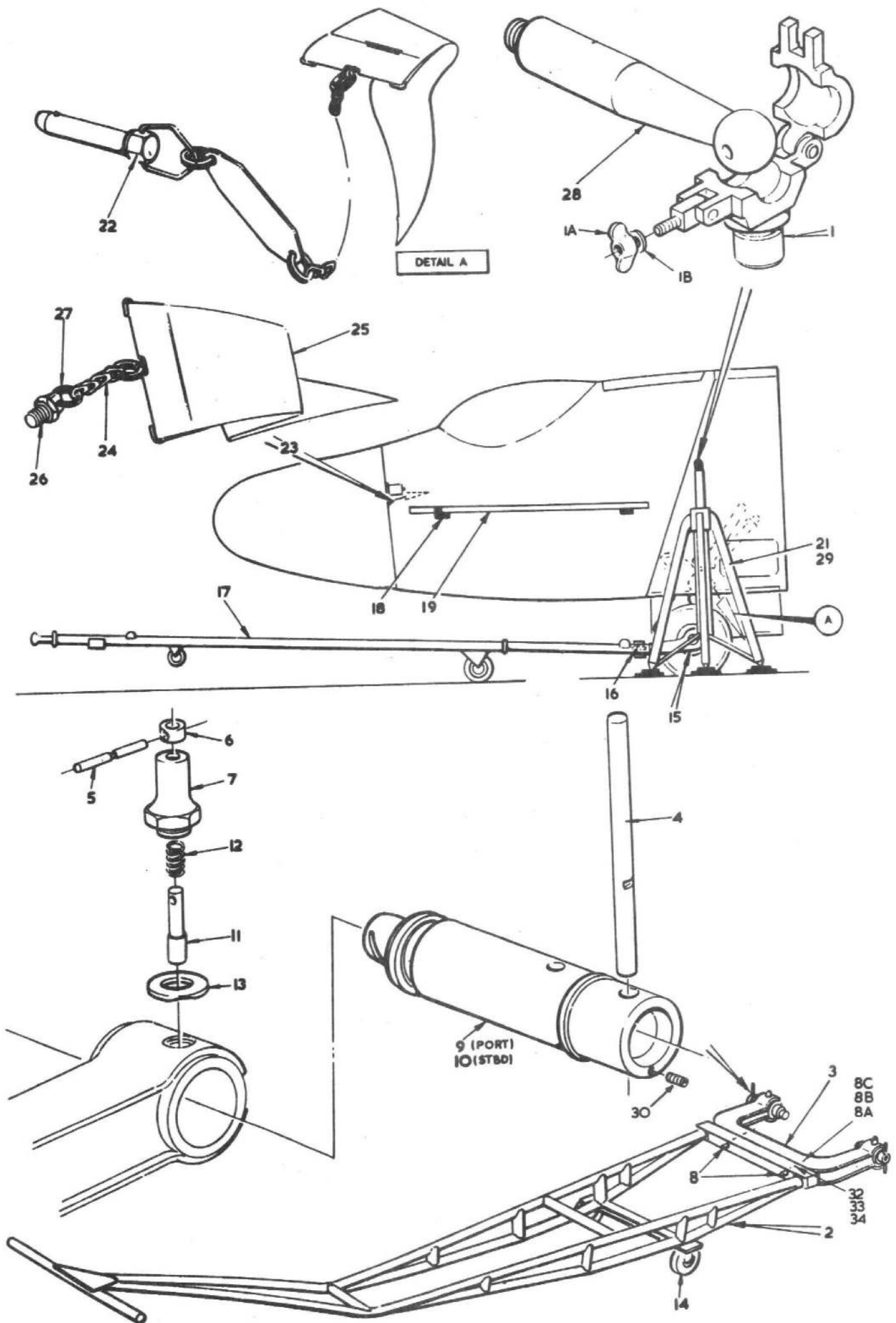


FIG.1 EQUIPMENT GROUND & MAINTENANCE

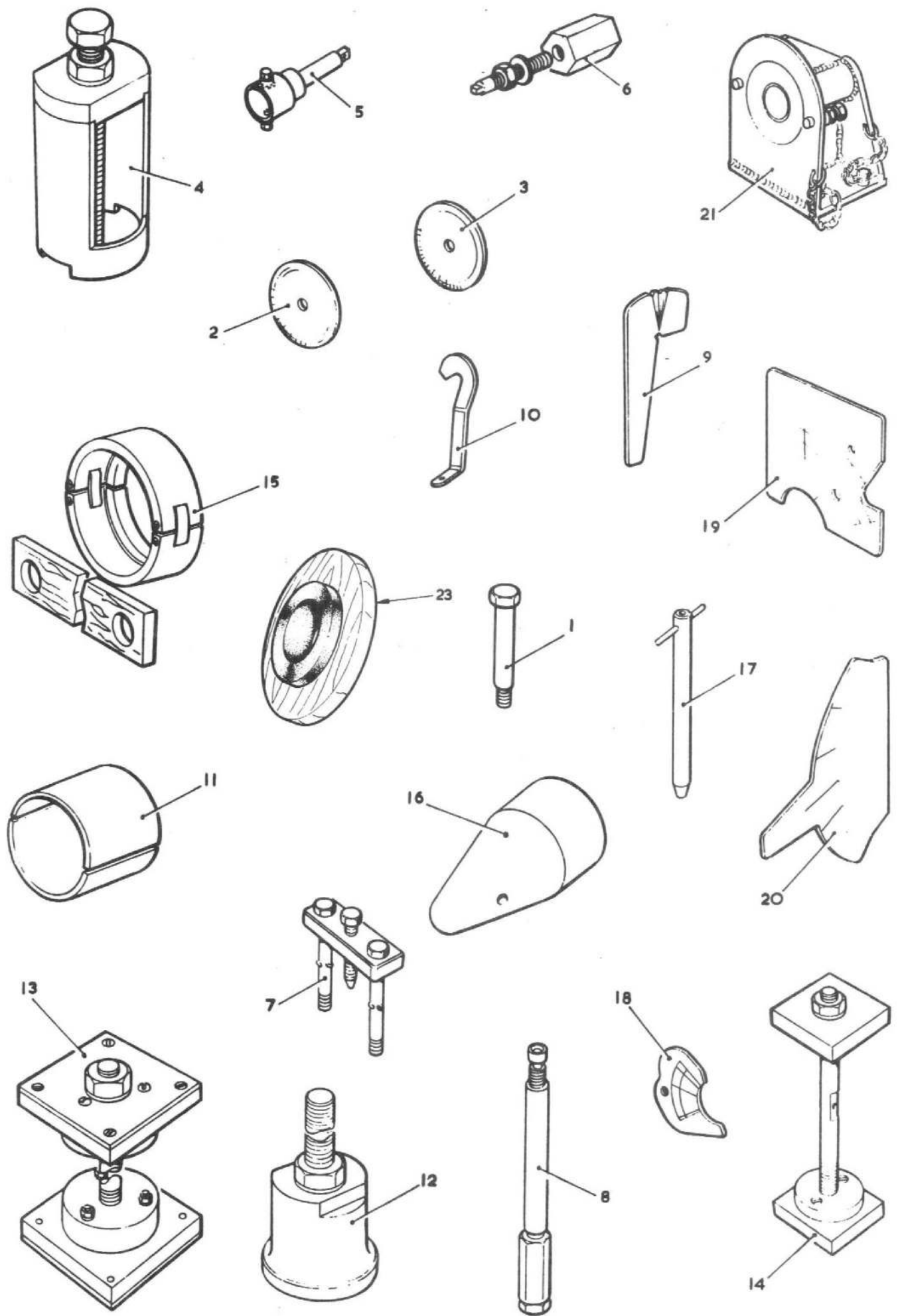


FIG.2 EQUIPMENT GROUND & MAINTENANCE

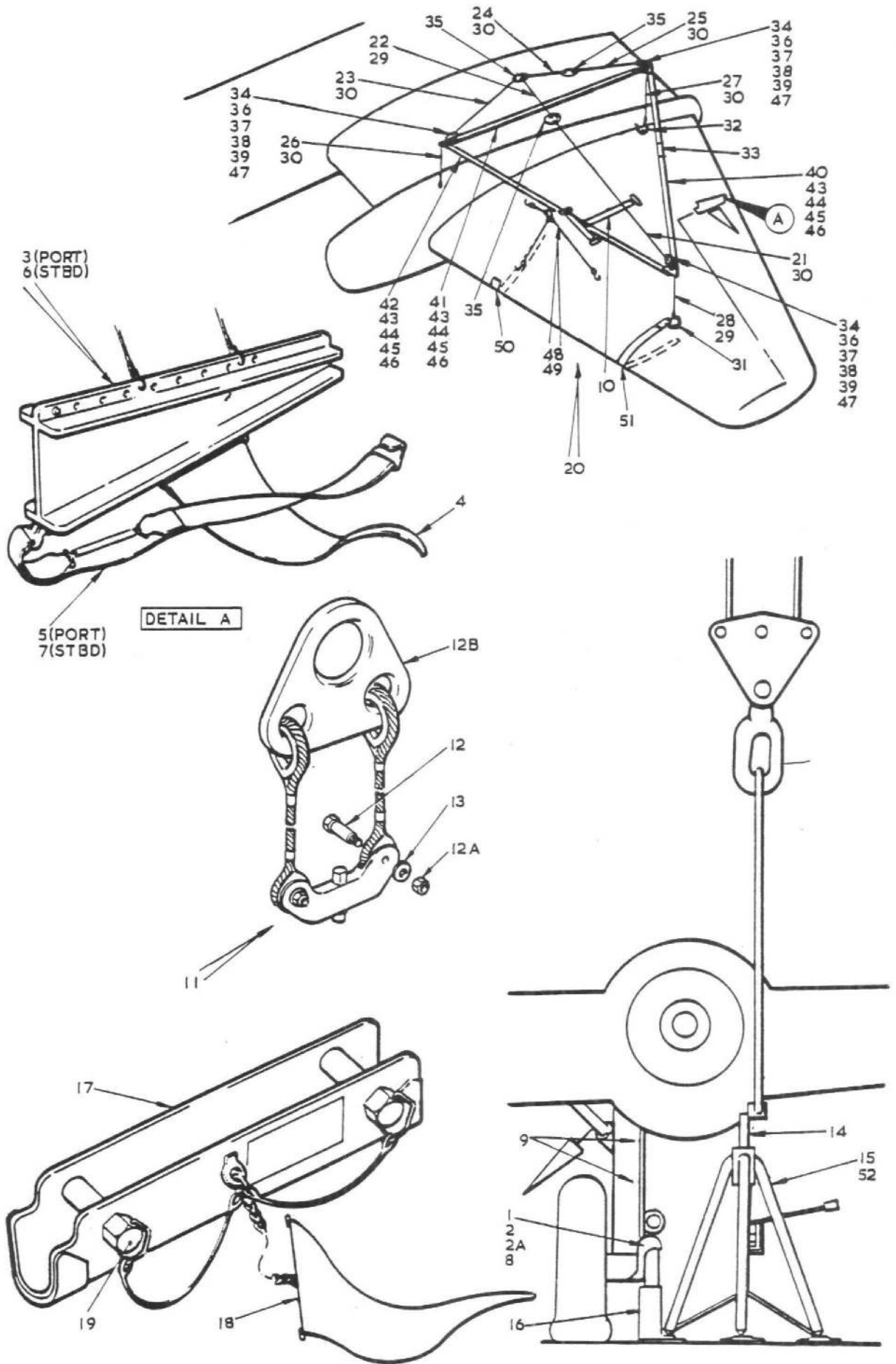
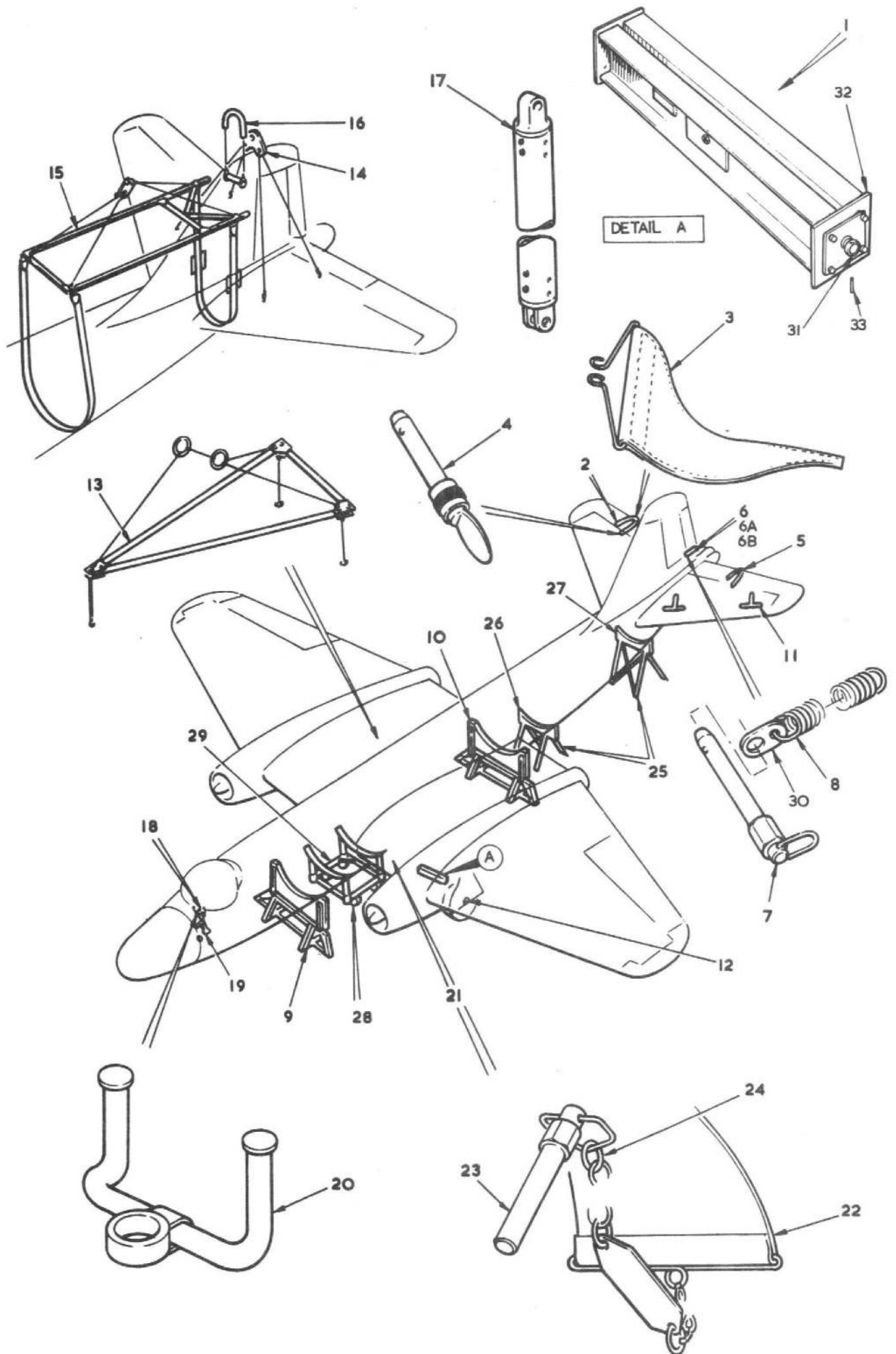


FIG. 3 EQUIPMENT GROUND & MAINTENANCE



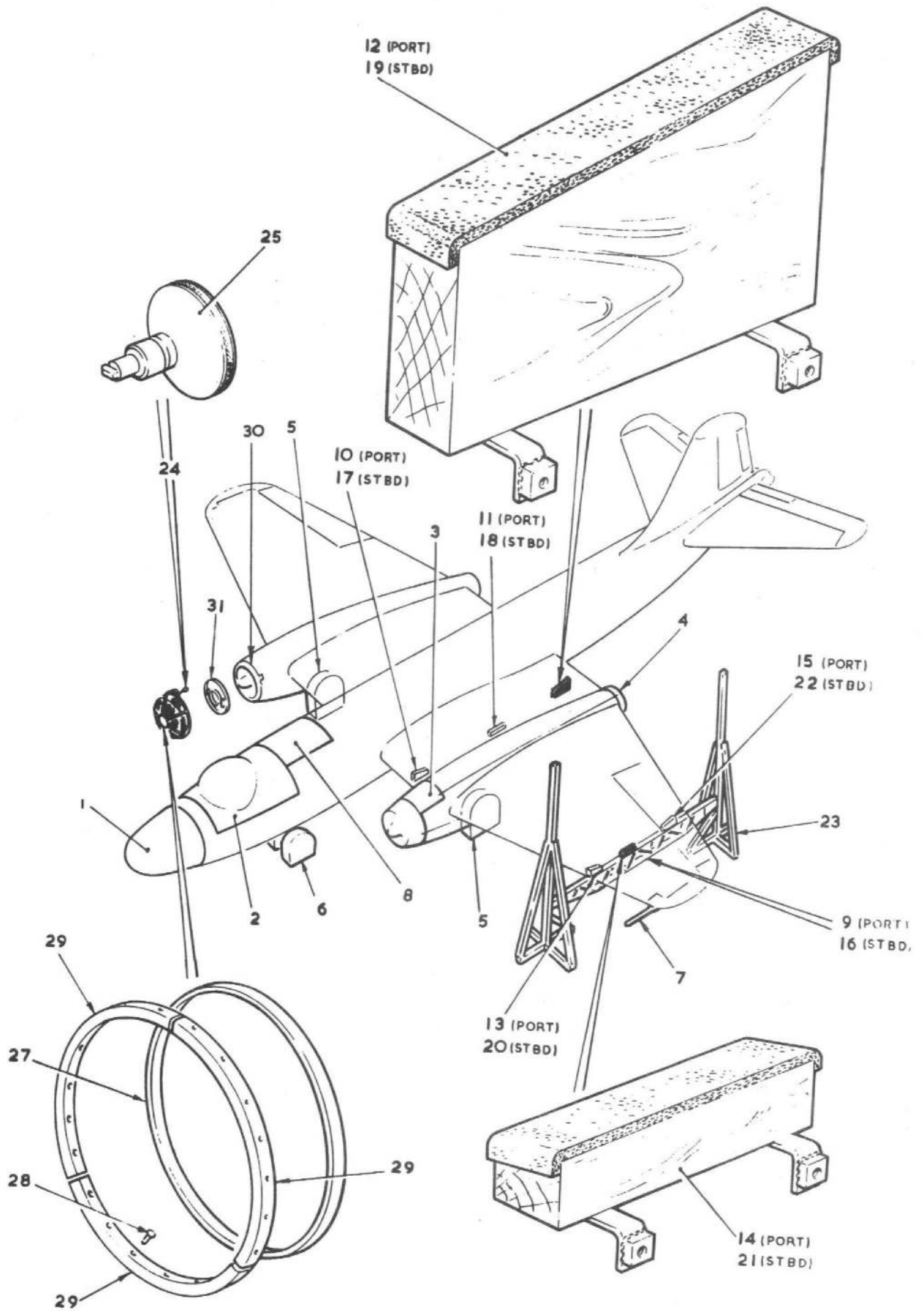


FIG.5 EQUIPMENT GROUND & MAINTENANCE

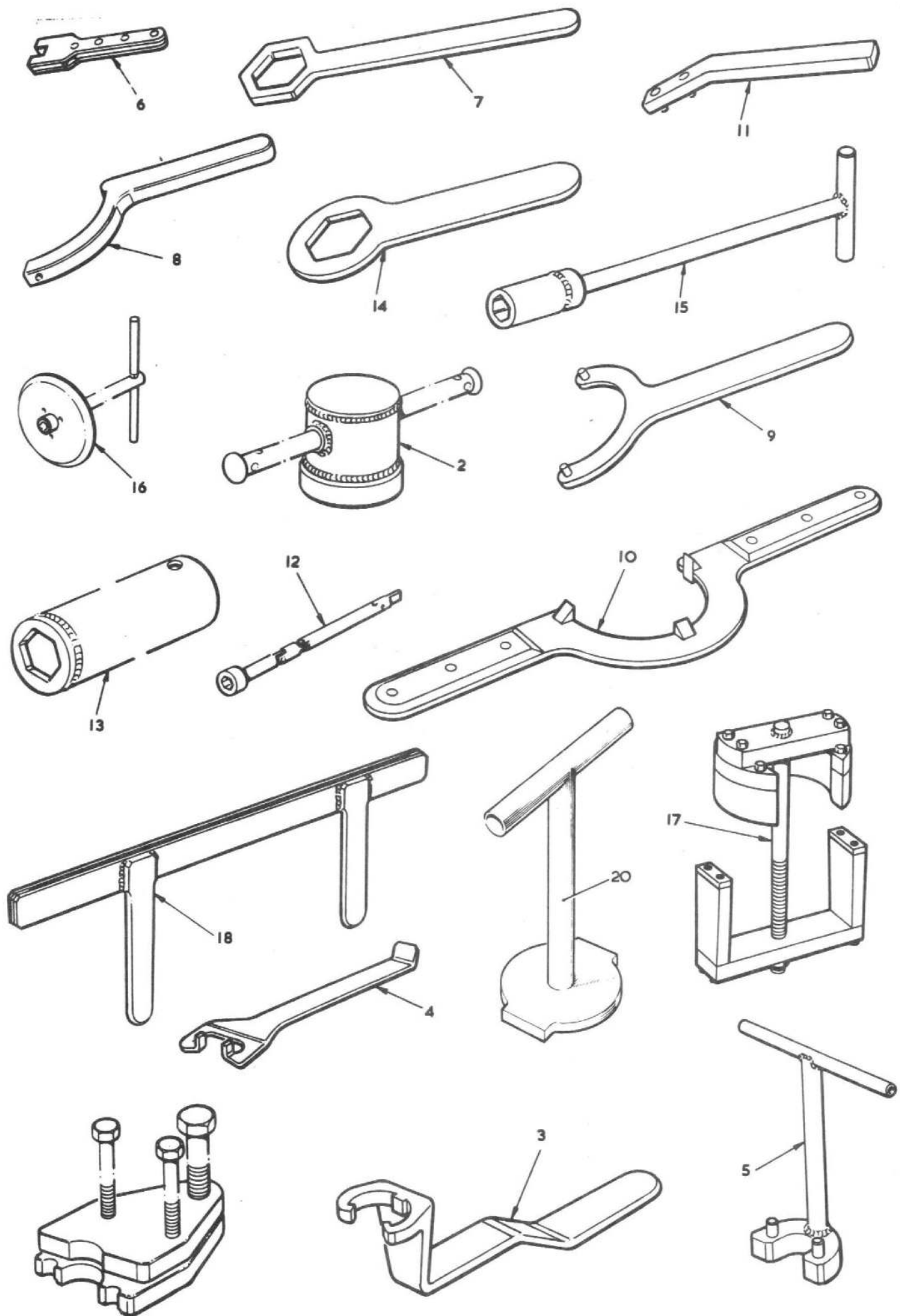


FIG6 EQUIPMENT GROUND & MAINTENANCE

This file was downloaded
from the RTFM Library.

Link: www.scottbouch.com/rtfm

Please see site for usage terms,
and more aircraft documents.

