

## EQUIPMENT, AIRCRAFT

## PRESSURE CABIN EQUIPMENT

Part Number	Description	No. Off						Mati. Spec.	Plate No.
		1	2	3	4	5	6		
EB7.80.5901	PRESSURE CABIN EQUIPMENT, GROUP (MOD 5022) Spares for:—								
EA3.83.179	. BAGS, STOWAGE, FLAP SWITCH AND UNDERCARRIAGE SWITCH LOCK, ASSEMBLY Spares for:—								
EA3.83.173	. . . BAG, stowage for flap switch locking pin					1			GA1/1
EA3.83.295	. . . BAG, stowage for undercarriage switch locking pin					1			GA1/2
AGS2001B1	Attaching parts for EA3.83.173 and EA3.83.295:—								
EA3.83.1165	. . . Nut, 4BA					1			GA1/3
SP15B	. . . Stud, assembly					1			GA1/4
	. . . Washer					1			GA1/4A
EA3.83.175	. . . LOCK, FLAP SWITCH, ASSEMBLY Spares for:—					1			GA1/5
AVDEL.A415	. . . . PIN, 'pip', QR					1			GA1/6
EA3.83.299	. . . LOCK, undercarriage switch					1			GA1/7
32357	. COMPASS, E2B, INSTALLATION (SRIM 3799) (MOD 5022) Spares for:—								GA9/1
6B/1048857	. . . COMPASS, type E2B Attaching parts for Ref. 6B/1048857:—					1			GA9/2
A61/1B	. . . Bolt, 4BA					2			GA9/3
SP15B	. . . Washer					2			GA9/4
14798	. . . PLATFORM, compass mounting, 18 SWG Attaching parts for 14798:—					1	L72		GA9/5
A61/1/2B	. . . Bolt, 4BA					4			GA9/6
AGS2001B3	. . . Nut, 4BA					4			GA9/7
SP15B	. . . Washer					4			GA9/8
EB7.80.115	. CONSOLE, PILOT'S STRUCTURE, ASSEMBLY Spares for:—								
EB7.80.135	. . . MEMBER, vertical, assembly					1			GA1/8
EB7.80.365	. . . PANEL, forward, removable, battery access (Pre-Mod 5061)					1	L72		
EA3.80.6641	. . . PANEL, ASSEMBLY, FORWARD, ACCESS FOR EMERGENCY BATTERY (Mod 5061) Spares for:—					1			GA1/9
DZUS	. . . . FASTENER					1			GA1/10
A4/30	. . . . FLAP, 18 SWG					1	L72		GA1/11
EA3.80.6649	. . . . GROMMET					1			GA1/12
DZUS	. . . . HINGE (Make from AS1878, Ref. 28N/9511950)					1			GA1/13
GA4/250	. . . . TERMINAL, red					1			GA1/14
EA3.80.6651	. . . . TERMINAL, black					1			GA1/15
BULGIN	Attaching parts for T102:—								
T102	. . . . Screw, 2BA					1			GA1/16
T102									
A31C24									
EA3.80.2057	. CONTAINER, URINE, ASSEMBLY Spares for:—								GA1/17
HX11761	. . . CONTAINER, urine, Mk. 2					1			GA1/18
D20001	. . . FUNNEL					1			GA1/19

EQUIPMENT, AIRCRAFT  
PRESSURE CABIN EQUIPMENT

Part Number	Description	No. Off	Mati. Spec.	Plate No.
EB7.80.327	. CURTAINS, BLACKOUT, ASSEMBLY Spares for:—	—	—	GA2/1
EB7.80.5683	. . CURTAIN, MAIN ASSEMBLY Consisting of:—	1	—	GA2/2
CARR No. 671	. . . BUTTON, dome	1	—	GA2/3
EB7.80.5683A	. . . CURTAIN, main	1	—	GA2/4
N608	. . . FASTENER, socket	14	—	GA2/5
N708A	. . . PLATE, clinch	14	—	GA2/6
C548	. . . SOCKET, brass spring	1	—	GA2/7
	Attaching parts for EB7.80.5683:—			
AGS2001C1-66	. . Nut, 2BA	5	—	GA2/8
AGS2002C1	. . Nut, 2BA	2	—	GA2/9
EEAS132/12	. . Strap, securing	2	—	GA2/10
882	. . Stud	7	—	GA2/11
759	. . Stud	1	—	GA2/12
953	. . Stud	2	—	GA2/13
EB7.80.5681	. . CURTAIN, TOP, ASSEMBLY Consisting of:—	1	—	GA2/14
EB7.80.5681A	. . . CURTAIN, top	1	—	GA2/15
AGS232D	. . . EYELET	2	—	GA2/16
N608	. . . FASTENER, socket	2	—	GA2/17
708A	. . . PLATE, clinch	2	—	GA2/18
	Attaching parts for EB7.80.5681:—			
A25/2C	. . Bolt, 2BA	1	—	GA2/19
AS1246/1B	. . Bolt, 4BA	19	—	GA2/20
OV653	. . Nut, cup	19	—	GA2/21
AGS2001B1	. . Nut, 4BA	19	—	GA2/22
EA3.80.5857	. . Strip, capping	1	—	GA2/23
EA3.80.5859	. . Strip, capping	1	—	GA2/24
EA3.80.5861	. . Strip, capping	1	—	GA2/25
SP47C	. . Washer	19	—	GA2/26
SP13B	. . Washer	19	—	GA2/27
EA3.80.1753	. . CURTAIN, BLACKOUT, NAVIGATOR'S WINDOW ASSEMBLY Consisting of:—	1	—	GA2/28
EA3.80.1951	. . . CURTAIN, navigator's window	1	—	GA2/29
EA3.80.1761	. . . STRAP	2	—	GA2/30
	Attaching parts for EA3.80.1753:—			
AS1246/1B	. . Bolt, 4BA	1	—	GA2/31
AGS2001B1	. . Nut, 4BA	1	—	GA2/32
AGS2001C1-66	. . Nut, 2BA	4	—	GA2/33
680	. . Stud, 2BA	4	—	GA2/34
SP13B	. . Washer	1	—	GA2/35
SP13C	. . Washer	4	—	GA2/36
EB7.80.5443	. . CURTAINS, BLACKOUT, NAVIGATOR'S INSTRUMENT PANEL, ASSEMBLY (MOD 2718—S.O.O.) Spares for:—	—	—	
EB7.80.5449	. . . CURTAIN, top, main, assembly	1	—	
EB7.80.5441	. . . CURTAIN, centre, instrument panel, assembly	1	—	

AP101B-0407-3A

EQUIPMENT, AIRCRAFT  
PRESSURE CABIN EQUIPMENT

Part Number	Description	No. Off	Matl. Spec.	Plate No.
EB7.80.5451	. . . CURTAIN, lower, instrument panel assembly Attaching parts for EB7.80.5449, EB7.80.5441 and EB7.80.5451:—	1	—	
AS1248/3C	. . . Bolt, 2BA	1	—	
AGS2002C1	. . . Nut, 2BA	6	—	
OV653	. . . Nut, cap	2	—	
4001/6-3/8	. . . Screw, P.K., type A	33	—	
EB7.80.5445	. . . Strip, capping	1	—	
EB7.80.5447	. . . Strip, capping	1	—	
EB7.80.5459	. . . Strip, capping	1	—	
882	. . . Stud	6	—	
AS2809/4/040	. . . Tube, distance	1	—	
SP47C	. . . Washer	2	—	
EB7.80.3	. . . EQUIPMENT, FORWARD OF FRAME 1, INSTALLATION Spares for:—	—	—	GA21/1
EB7.80.5019	. . . BOMB-SIGHT, T3, T4, AND MOUNTING INSTALLATION Consisting of:—	—	—	GA21/2
A25/10J	. . . BOLT, $\frac{3}{8}$ " BSF	3	—	GA21/3
9-4552	. . . BOMB-SIGHT, T3	1	—	GA21/5
or				
9-4556	. . . BOMB-SIGHT, T4	1	—	
9-3350	. . . MOUNTING, bomb-sight bracket	1	—	GA21/6
A27JP	. . . NUT, $\frac{3}{8}$ " BSF	3	—	GA21/7
SP47J	. . . WASHER	3	—	GA21/8
22774	. . . BRACKET, CAMERA CONTROL WEDGE, INSTALLATION (SRIM 3799) (MOD 5022) Spares for:—	—	—	
32517	. . . BRACKET, CAMERA CONTROL WEDGE, SUB- ASSEMBLY (SRIM 3799) (MOD 5022) Spares for:—	1	—	
14A4290001	. . . PLATE, wedge Attaching parts for Ref. 14A/4290001:—	2	—	
A25/1/2C	. . . Bolt, 2BA	4	—	
EB7.80.5017	. . . CONTROL PANEL AND SUPPRESSOR INSTALLATION Spares for:—	—	—	
EB7.80.5009	. . . BRACKET, compass repeater, mounting	1	—	GA21/9
508-1-41036	. . . CAP, protective	1	—	GA21/10
9-4554	. . . CONTROL, unit, gyro (T3 Bomb-sight)	1	—	GA21/12
or				
9-4616	. . . CONTROL, unit, gyro (T4 Bomb-sight— Attaching parts for Ref. 9/4554 or 9/4616:—	1	—	
A31/B14	. . . Screw, 4BA	4	—	GA21/13
EB7.80.5003	. . . PLATE, control panel mounting, assembly	1	—	GA21/14
5CY7001363	. . . SUPPRESSOR, type B4 Attaching parts for Ref. 5CY/7001363:—	1	—	GA21/15
AS1242/2B	. . . Bolt, 4BA	2	—	GA21/16
AGS2001B1	. . . Nut, 4BA	2	—	GA21/17
SP15B	. . . Washer	2	—	GA21/17A
5L9952438	. . . LAMP, filament, 28 volt, 40 watt	2	—	GA21/18

EQUIPMENT, AIRCRAFT  
PRESSURE CABIN EQUIPMENT

Part Number	Description	No. Off	Matl. Spec.	Plate No.
				1 2 3 4 5 6
EB7.80.603	. . . MOUNTING, CAMERA CONTROLLERS, ASSEMBLY Spares for:—	1	—	GA22/1
EB7.80.605	. . . BRACKET, mounting assembly	1	—	GA22/2
EB7.80.607	. . . BRACKET, MOUNTING, ASSEMBLY Consisting of:—	1	—	GA22/3
EB7.80.619	. . . . BOLT, special	2	—	GA22/4
EB7.80.615	. . . . HINGE	1	—	GA22/5
EEAS98/1	. . . . LUG, 18 SWG	2	L72	GA22/6
EEAS98/2	. . . . LUG, 18 SWG	2	L72	GA22/7
EB7.80.651	. . . . NUT, lock	2	—	GA22/8
S.I.S. 1071	. . . . PLATE, wedge Attaching parts for S.I.S. 1071:—	1	—	GA22/9
AGS2002C1	. . . . Nut, stiff, 2BA	4	—	GA22/9A
A32C16	. . . . Screw, 2BA round head	4	—	GA22/9B
EB7.80.635	. . . MOUNTING, FORE AND AFT LEVEL, ASSEMBLY Spares for:—	1	—	GA22/10
EB7.80.637	. . . BRACKET, assembly Attaching parts for EB7.80.637:—	1	—	GA22/11
A25/3B	. . . Bolt, 4BA	4	—	GA22/12
EEAS31/540	. . . Washer, corner	4	—	GA22/13
6A389	. . . LEVEL, fore and aft, type B, luminous Attaching parts for Ref. 6A/389:—	1	—	GA22/14
AS1246/4C	. . . Bolt, 2BA	2	—	GA22/15
AGS2001C1-66	. . . Nut, 2BA	2	—	GA22/16
EB7.80.315	. . . Washer, left	2	—	GA22/17
EB7.83.5001	. . . MOUNTING, F.89, CAMERA CONTROL, ASSEMBLY Spares for:—	1	—	GA22/18
EB7.83.5005	. . . GUIDE Attaching parts for EB7.83.5005:—	1	—	GA22/19
AS1242/2C	. . . Bolt, 2BA	3	—	GA22/20
AGS2002C1	. . . Nut, 2BA	3	—	GA22/21
SP15C	. . . Washer	3	—	GA22/22
EB7.83.5007	. . . GUIDE	1	—	GA22/23
S.I.S. 1071	. . . PLATE, wedge Attaching parts for S.I.S. 1071:—	2	—	GA22/24
A31C14	. . . Screw, 2BA	4	—	GA22/25
A31C16	. . . Screw, 2BA	4	—	GA22/26
EB7.97.5001	. . . PANEL, CONTROLS, BOMB-SIGHT, ASSEMBLY Spares for:—	1	—	GA21/19
S.I.S. 6181 or 9-4578	. . . PANEL, control, type T3  . . . PANEL, control, type T4 Attaching parts for S.I.S.6181 or 9-4578:—	1	—	GA21/20
A31C20	. . . Screw, 2BA	3	—	GA21/21

EQUIPMENT, AIRCRAFT  
PRESSURE CABIN EQUIPMENT

Part Number	Description	No. Off	Matl. Spec.	Plate No.
9-4533	. . PANEL, collimator control Attaching parts for Ref. 9/4533:—	1	—	GA21/22
A25/1C	. . Bolt, 2BA	3	—	GA21/23
AGS2001C1-66	. . Nut, 2BA	3	—	GA21/24
6B6341553	. . REPEATER, COMPASS Attaching parts for Ref. 6B/6341553:—	1	—	GA21/25
A25/4C	. . Bolt, 2BA	4	—	GA21/26
9-4532	. . SIGHT, photographic	1	—	GA21/27
EB7.80.5905	. EQUIPMENT, NAVIGATOR'S COMPARTMENT, GROUP (MOD 5022) Spares for:—	1	—	
E & I 7358	. . BOX, junction, type A, 3 way, AMU/API Attaching parts for E & I 7358:—	1	—	GA3/1
AS1246/1B	. . Bolt, 4BA	2	—	GA3/2
EB7.81.1909	. . BOX, JUNCTION, ASSEMBLY, G4B/API Spares for:—	1	—	GA3/3
BELLING LEE L744	. . . BLOCK, terminal, 6 way Attaching parts for L744:—	1	—	GA3/4
AGS2002B1	. . . Nut, 4BA	2	—	GA3/5
A33B40	. . . Screw, 4BA	2	—	GA3/6
AGS1757/1	. . . GLAND, flanged, oval	6	—	GA3/7
EB7.81.1915	. . . LID, box	1	—	GA3/8
EB7.81.1911	. . . SHELL, box Attaching parts for EB7.81.1909:—	1	—	GA3/9
AS1246/1B	. . Bolt, 4BA	2	—	GA3/10
EA3.80.2067	. . BRACKET, platform attachment at frame 5	1	—	GA3/11
EA3.80.2069	. . BRACKET, platform attachment at frame 5 Attaching parts for EA3.80.2067 or EA3.80.2069:—	1	—	GA3/12
A25/1C	. . Bolt, 2BA	2	—	GA3/13
AGS2001C1-66	. . Nut, 2BA	2	—	GA3/14
SP15C	. . Washer	2	—	GA3/15

EQUIPMENT AIRCRAFT  
PRESSURE CABIN EQUIPMENT

Part Number	Description	No. Off	Mati. Spec.	Plate No.
R EB7.80.5981	. . . GA OF CHAFF DISPENSER CONTROL UNIT INSTALLATION (Mod 5500) Spares for:—	—	—	
R EB7.80.5997	. . . . ANGLE	1	EEDX63	GA12/1
R EB7.80.5993	. . . . ANGLE	1	L165. 1.2 mm	GA12/2
R A25-1C	. . . . BOLT, 2BA, hex head	2	—	GA12/3
R A25-2C	. . . . BOLT, 2BA, hex head	10	—	GA12/4
R A25-3C	. . . . BOLT, 2BA, hex head	2	—	GA12/5
R EB7.80.5995	. . . . CHANNEL, support	1	L165. 1.6 mm	GA12/6
R AGS2001C1-66	. . . . NUT, stiff, 2BA	14	—	GA12/7
R EB7.80.6013	. . . . PACKER	1	L164. 1.2 mm	GA12/8
R EB7.80.5983	. . . . SUPPORT assembly Spares for:—	1	—	GA12/9
R EB7.80.5993	. . . . ANGLE	1	L165. 1.2 mm	GA12/10
R EB7.80.6001	. . . . ANGLE	2	EEJ223/18	GA12/11
R EB7.80.6003	. . . . ANGLE	2	EEJ223/18	GA12/12
R EB7.80.6005	. . . . ANGLE	1	EEJ223/18	GA12/13
R EB7.80.6007	. . . . ANGLE	1	EEJ223/18	GA12/14
R EB7.80.6009	. . . . ANGLE	1	EEJ223/18	GA12/15
R EB7.80.6011	. . . . ANGLE	1	EEJ223/18	GA12/16
R A25-1C	. . . . BOLT, 2BA, hex head	2	—	GA12/17
R EB7.80.5999	. . . . DOUBLER	1	L164. 2 mm	GA12/18
R AGS2001C1-66	. . . . NUT, stiff, 2BA	2	—	GA12/19
R EB7.80.5991	. . . . PLATE	1	L165. 1.2 mm	GA12/20
R EB7.80.5985	. . . . PLATE, mounting, assembly Spares for:—	1	—	GA12/21
R AGS2007C1	. . . . . NUT, anchor, 2BA	4	—	GA12/22
R EB7.80.5989	. . . . . PLATE, mounting	1	L164. 2.5 mm	GA12/23
R EB7.80.5987	. . . . . SUPPORT	1	—	GA12/24
R SP122D	. . . . . WASHER	2	—	GA12/25
R EA3.81.2111	. . . . . WASHER, spacing	2	—	GA12/26
R SP122D	. . . . . WASHER	14	—	GA12/27
R EB7.80.5917	. . . PANEL, INSTRUMENT, NAVIGATOR'S INSTALLATION (Mod 5022) (Pre Mod 5430)	—	—	
R SCSHQ130944A0	. . . PANEL, INSTRUMENT, NAVIGATOR'S INSTALLATION (Mod 5430) Spares for:—	—	—	
R 14872	. . . . ANGLE, support, lower AV mount. (SRIM 3799) (Mod 5022) Attaching parts for 14872:—	3	L65	GA3/16
R A25-3C	. . . . Bolt, 2BA, hex head	2	—	GA3/17
R AGS2001C1-66	. . . . Nut, stiff, 2BA	2	—	GA3/18
R SP15C	. . . . Washer	2	—	GA3/19
R 22625	. . . . CLAMP, assembly, AV mount. 16 SWG (SRIM 3799) (Mod 5022) Attaching parts for 22625:—	2	S510	GA3/20
R A25-2E	. . . . Bolt, 1/4" BSF	2	—	GA3/21
R AGS2001E1-77	. . . . Nut, 1/4" BSF	2	—	GA3/22
R SP15E	. . . . Washer	2	—	GA3/23

EQUIPMENT, AIRCRAFT  
PRESSURE CABIN EQUIPMENT

Part Number	Description	No. Off	Matl. Spec.	Plate No.
9-4533	. . . PANEL, collimator control Attaching parts for Ref. 9/4533:--	1	—	GA21/22
A25/1C	. . . Bolt, 2BA	3	—	GA21/23
AGS2001C1-66	. . . Nut, 2BA	3	—	GA21/24
6B6341553	. . . REPEATER, COMPASS Attaching parts for Ref. 6B/6341553:--	1	—	GA21/25
A25/4C	. . . Bolt, 2BA	4	—	GA21/26
9-4532	. . . SIGHT, photographic	1	—	GA21/27
EB7.80.5905	. . . EQUIPMENT, NAVIGATOR'S COMPARTMENT, GROUP (MOD 5022) Spares for:--	1	—	
E & I 7358	. . . BOX, junction, type A, 3 way, AMU/API Attaching parts for E & I 7358:--	1	—	GA3/1
AS1246/1B	. . . Bolt, 4BA	2	—	GA3/2
EB7.81.1909	. . . BOX, JUNCTION, ASSEMBLY, G4B/API Spares for:--	1	—	GA3/3
BELLING LEE L744	. . . . BLOCK, terminal, 6 way Attaching parts for L744:--	1	—	GA3/4
AGS2002B1	. . . . Nut, 4BA	2	—	GA3/5
A33B40	. . . . Screw, 4BA	2	—	GA3/6
AGS1757/1	. . . . GLAND, flanged, oval	6	—	GA3/7
EB7.81.1915	. . . . LID, box	1	—	GA3/8
EB7.81.1911	. . . . SHELL, box Attaching parts for EB7.81.1909:--	1	—	GA3/9
AS1246/1B	. . . Bolt, 4BA	2	—	GA3/10
EA3.80.2067	. . . BRACKET, platform attachment at frame 5	1	—	GA3/11
EA3.80.2069	. . . BRACKET, platform attachment at frame 5 Attaching parts for EA3.80.2067 or EA3.80.2069:--	1	—	GA3/12
A25/1C	. . . Bolt, 2BA	2	—	GA3/13
AGS2001C1-66	. . . Nut, 2BA	2	—	GA3/14
SP15C	. . . Washer	2	—	GA3/15
EB7.80.5917	. . . PANEL, INSTRUMENT, NAVIGATOR'S INSTALLATION (MOD 5022) (PRE-MOD 5430)	—	—	
SCSHQ130944.A0	. . . PANEL, INSTRUMENT, NAVIGATOR'S INSTALLATION (MOD 5430) Spares for:--	—	—	
14872	. . . . ANGLE, support, lower AV mount (SRIM 3799) (Mod 5022) Attaching parts for 14872:--	3	L65	GA3/16
A25/3C	. . . . Bolt, 2BA	2	—	GA3/17
AGS2001C1-66	. . . . Nut, 2BA	2	—	GA3/18
SP15C	. . . . Washer	2	—	GA3/19
22625	. . . . CLAMP, assembly, AV mount, 16 SWG (SRIM 3799) (Mod 5022) Attaching parts for 22625:--	2	S510	GA3/20
A25/2E	. . . . Bolt, 1/4" BSF	2	—	GA3/21
AGS2001E1/77	. . . . Nut, 1/4" BSF	2	—	GA3/22
SP15E	. . . . Washer	2	—	GA3/23

EQUIPMENT, AIRCRAFT  
PRESSURE CABIN EQUIPMENT

Part Number	Description	No. Off	Mati. Spec.	Plate No.
14-511	MOUNT, resilient, lower Attaching parts for 14-511:—	3	—	GA3/24
A25/1/2C	Boat, 2BA	4	—	GA3/25
AGS2001C1-66	Nut, 2BA	4	—	GA3/26
SP15C	Washer	4	—	GA3/27
EB7.80.5915	PANEL, INSTRUMENT, ASSEMBLY (MOD 5022) (PRE-MOD 5430)	1	—	GA4/1
KOLLSMAN L83261-04-020	Spares for:— ALTIMETER, MK.30B Attaching parts for L83261-04-020:—	1	—	GA4/2
KOLLSMAN L84380-00-100	Plate, mooring	1	—	GA4/3
A219B36	Screw, 6 UNC	4	—	GA4/4
WB1110S5B	BLOCK, terminal	1	—	GA4/5
TYPE BN671-4B	CONTROL, UNIT, NAV, type BN671-4B	1	—	GA4/6
TYPE BD671-MB	CONTROL-UNIT, DME, type BD671-MB Attaching parts for control units:—	1	—	GA4/7
A117/1/2A	Boat, 4 UNC	8	—	GA4/8
SP124A	Washer	8	—	GA4/9
640-1-12638	CONTROL-UNIT, radio	1	—	GA4/10
01-0383	CLIP	6	—	GA4/11
WB1110B5B	COVER, terminal block	1	—	GA4/12
L1338	FILAMENT, 28V, 1.1W	19	—	GA4/13
MR1-1AP274	HOLDER, deviation card	1	—	GA4/14
S1S.1128	HOLDER, card	2	—	GA4/15
6A3147	INDICATOR, airspeed	1	—	GA4/16
or 9M	INDICATOR, airspeed, MK. 9M Attaching parts for 6A/3147 or 9M:—	1	—	
A44C28	Screw, 2BA	4	—	GA4/17
6A2769	INDICATOR, air temperature	1	—	GA4/18
or S63-4-531	INDICATOR, air temperature, type 'B' Attaching parts for 6A/2769 or S63-4-531:—	1	—	
A44B24	Screw, 4BA	2	—	GA4/19
A44B32	Screw, 4BA	2	—	GA4/20
KAF0301 ISSUE 8	INDICATOR, air mileage Attaching parts for KAF0301-ISS 8:—	1	—	GA4/21
A44C24	Screw, 2BA	3	—	GA4/22
19834/0	INDICATOR, master Attaching parts for 19834/0:—	1	—	GA4/23
AGS2001C1-66	Nut, 2BA	3	—	GA4/24
A44C32	Screw, 2BA	3	—	GA4/25
SP15C	Washer	3	—	GA4/26
DN1245 Mk.14	INDICATOR, oxygen warning	2	—	GA4/27
T1630	INDICATOR, relative bearing Attaching parts for T1630:—	1	—	GA4/28
A44B28	Screw, 4BA	2	—	GA4/29
A44B36	Screw, 4BA	2	—	GA4/30

EQUIPMENT, AIRCRAFT

PRESSURE CABIN EQUIPMENT

Part Number	Description 1 2 3 4 5 6	No. Off	Matl. Spec.	Plate No.

EQUIPMENT, AIRCRAFT  
PRESSURE CABIN EQUIPMENT

Part Number	Description	No. Off	Matl. Spec.	Plate No.
14-511	MOUNT, resilient, lower Attaching parts for 14-511:—	3	—	GA3/24
A25/1/2C	Bolt, 2BA	4	—	GA3/25
AGS2001C1-66	Nut, 2BA	4	—	GA3/26
SP15C	Washer	4	—	GA3/27
EB7.80.5915	PANEL, INSTRUMENT, ASSEMBLY (MOD 5022) (PRE-MOD 5430)	1	—	GA4/1
KOLLSMAN L83261-04-020	Spares for:— ALTIMETER, MK.30B Attaching parts for L83261-04-020:—	1	—	GA4/2
KOLLSMAN L84380-00-100	Plate, mooring	1	—	GA4/3
A219B36	Screw, 6 UNC	4	—	GA4/4
WB1110S5B	BLOCK, terminal	1	—	GA4/5
TYPE BN671-4B	CONTROL, UNIT, NAV, type BN671-4B	1	—	GA4/6
TYPE BD671-MB	CONTROL-UNIT, DME, type BD671-MB Attaching parts for control units:—	1	—	GA4/7
A117/1/2A	Bolt, 4 UNC	8	—	GA4/8
SP124A	Washer	8	—	GA4/9
640-1-12638	CONTROL-UNIT, radio	1	—	GA4/10
01-0383	CLIP	6	—	GA4/11
WB1110B5B	COVER, terminal block	1	—	GA4/12
L1338	FILAMENT, 28V, 1.1W	19	—	GA4/13
MRI-1AP274	HOLDER, deviation card	1	—	GA4/14
S1S.1128	HOLDER, card	2	—	GA4/15
6A3147	INDICATOR, airspeed	1	—	GA4/16
or 9M	INDICATOR, airspeed, MK. 9M Attaching parts for 6A/3147 or 9M:—	1	—	
A44C28	Screw, 2BA	4	—	GA4/17
6A2769	INDICATOR, air temperature	1	—	GA4/18
or S63-4-531	INDICATOR, air temperature, type 'B' Attaching parts for 6A/2769 or S63-4-531:—	1	—	
A44B24	Screw, 4BA	2	—	GA4/19
A44B32	Screw, 4BA	2	—	GA4/20
KAF0301 ISSUE 8	INDICATOR, air mileage Attaching parts for KAF0301-ISS 8:—	1	—	GA4/21
A44C24	Screw, 2BA	3	—	GA4/22
19834/0	INDICATOR, master Attaching parts for 19834/0:—	1	—	GA4/23
AGS2001C1-66	Nut, 2BA	3	—	GA4/24
A44C32	Screw, 2BA	3	—	GA4/25
SP15C	Washer	3	—	GA4/26
DN1245 Mk.14	INDICATOR, oxygen warning	2	—	GA4/27
T1630	INDICATOR, relative bearing Attaching parts for T1630:—	1	—	GA4/28
A44B28	Screw, 4BA	2	—	GA4/29
A44B36	Screw, 4BA	2	—	GA4/30

R  
R

EQUIPMENT, AIRCRAFT  
PRESSURE CABIN EQUIPMENT

Part Number	1 2 3 4 5 6	Description	No. Off	Matl. Spec.	Plate No.
T9552	. . . .	INDICATOR, relative bearing, VOR Attaching parts for T9552:—	1	—	GA4/31
A221B20	. . . .	Screw, 6 UNC	2	—	GA4/32
A221B32	. . . .	Screw, 6 UNC	2	—	GA4/33
K114-5	. . . .	KNOB, dimmer switches	2	—	GA5/1
R EB7.81.7333	. . . .	LABEL assembly (Mod 5439) Spares for:—	1	—	GA5/27
R EB7.81.7329	. . . .	GUARD, switch (Make from 30B/9611220)	1	L72. 20 SWG	GA5/28
R EB7.81.7331	. . . .	LABEL, engraved (Make from 30B/9611220)	1	L72. 20 SWG	GA5/29
5CX1042173	. . . .	LAMP, bridge, air temperature indicator	1	—	GA5/2
5CX1143234	. . . .	LAMP, bridge, ASI	1	—	GA5/3
5CX1143214	. . . .	LAMP, bridge, relative bearing indicator	2	—	GA5/4
5CX1143867	. . . .	LAMP, pillar, master indicator and altimeter	6	—	GA5/5
5CX1143869	. . . .	LAMP, pillar	5	—	GA5/6
10AJ9433711	. . . .	MOUNT, resilient, upper Attaching parts for Ref. 10AJ/9433711:—	2	—	GA5/7
A25/1B	. . . .	Bolt, 4BA	4	—	GA5/8
AGS2001B1	. . . .	Nut, 4BA	4	—	GA5/9
SP13B	. . . .	Washer	4	—	GA5/10
6B471	. . . .	PANEL, control, AMU Attaching parts for Ref. 6B/471:—	1	—	GA5/11
A44B16	. . . .	Screw, 4BA	4	—	GA5/12
41464	. . . .	PANEL, instruments, 12 SWG (SRIM 3799) (Mod 5022)	1	L73	GA5/13
EB6.81.5349	. . . .	PILLAR, fixing, terminal block	2	—	GA5/14
5CW1945409	. . . .	RESISTOR, variable, CU lights	1	—	GA5/15
14871	. . . .	SPACER, altimeter pillar lamps (SRIM 3799) (Mod 5022)	2	L65	GA5/16
14874	. . . .	SPACER, master indicator pillar lamps (SRIM 3799) (Mod 5022)	4	L65	GA5/17
5CW4400950	. . . .	SWITCH, dimmer, panel lights	1	—	GA5/18
AS10512A-2	. . . .	SWITCH, ECP lights	1	—	GA5/19
AS10512B-2	. . . .	SWITCH, anti-dazzle lights	1	—	GA5/20
NSF8812B102	. . . .	SWITCH, mute/transmit	1	—	GA5/21
A25/9E	. . . .	Attaching parts for EB7.80.5915:— Bolt, 1/4" BSF	2	—	GA5/22
A25/10E	. . . .	Bolt, 1/4" BSF	3	—	GA5/23
AGS2001E1/77	. . . .	Nut, 1/4" BSF	5	—	GA5/24
SP15E	. . . .	Washer	5	—	GA5/25
10AC1053243	. . . .	Washer, check	5	—	GA5/26
41426	. . . .	PANEL, INSTRUMENT, PORT, FRAMES 7-8, INSTALLATION (SRIM 3799) (MOD 5022) Spares for:—	—	—	GA6/1
WB1110D108	. . . .	BLOCK, terminal	1	—	GA6/2
10J4306022	. . . .	CONTROLLER, loop, tyre 1342	1	—	GA6/3
10L4306006	. . . .	CONTROL-UNIT, receiver, type 1274	1	—	GA6/4
WB1110B10	. . . .	COVER, terminal block	1	—	GA6/5
32382	. . . .	PANEL, sub-assembly (SRIM 3799) (Mod 5022) Attaching parts for 32382:—	1	—	GA6/6
AS1248/2C	. . . .	Bolt, 2BA	8	—	GA6/7
EB6.81.5349	. . . .	PILLAR, fixing terminal block	2	—	GA6/8
EA3.80.2043	. . . .	PEDESTAL, transmitter shelf support	1	—	GA6/9
41459	. . . .	STRUCTURE, NAVIGATOR'S TABLE (SRIM 3799) (MOD 5022) Spares for:—	—	—	GA6/10
5K1042521	. . . .	GROMMET	1	—	GA6/11

EQUIPMENT, AIRCRAFT  
PRESSURE CABIN EQUIPMENT

Part Number	Description	No. Off	Mati. Spec.	Plate No.
5CX1041518	. . . LAMP, cockpit flood, type D, red	2	—	GA6/12
EG7.80.313	. . . SPRING, folding table	1	—	GA6/13
14627	. . . Bolt, special (SRIM 3799) (Mod 5022)	2	S1	GA6/14
AGS2001C1-66	. . . Nut, 2BA	2	—	GA6/15
14628	. . . Piece, distance (SRIM 3799) (Mod 5022)	2	S1	GA6/16
14629	. . . Washer, special (SRIM 3799) (Mod 5022)	2	S1	GA6/17
SP15C	. . . Washer	1	—	GA6/18
41415	. . . TABLE, FOLDING, ASSEMBLY (SRIM 3799) (Mod 5022) Spares for:—	1	—	GA6/19
14630	. . . HINGE (Make from Ref. 28N/9486784) Attaching parts for 41415:—	1	—	GA6/20
AGS2001C1-66	. . . Nut, 2BA	20	—	GA6/21
EEAS1/4C	. . . Screw, 2BA	20	—	GA6/22
SP15C	. . . Washer	20	—	GA6/23
5CY7001363	. . . SUPPRESSOR, type B4	1	—	GA3/28
0-OWE134646	. . . UNIT, window dispenser control (Mod 5500)	1	—	GA12/28
EA3.80.647	. . . WASHER, special, transmitter shelf support attachment at frame 5	1	—	GA3/29
EA3.80.651	. . . WASHER, special, transmitter shelf support attachment at frame 5	2	—	GA3/30
EB6.80.631	. . . EQUIPMENT, ZERO READER (MOD 1447) Spares for:—	—	—	GA7/1
6A3359	. . . BACKPLATE	1	—	GA7/2
6A4424	. . . BOX, junction, type B (Pre Mod 4720)	1	—	GA7/3
6A6126	. . . BOX, junction, type E (Mod 4720) Attaching parts for 6A6126:—	1	—	
A31C16	. . . Screw	2	—	GA7/36
SP13C	. . . Washer	2	—	GA7/37
6A3122	. . . COMPUTER, flight	1	—	GA7/4
EB6.80.619	. . . FITTINGS, FLIGHT COMPUTER Consisting of:—	1	—	GA7/5
EB6.80.647	. . . ANGLE, forward	1	L72	GA7/6
A25/1B	. . . BOLT, 4BA	56	—	GA7/7
A25/1C	. . . BOLT, 2BA	16	—	GA7/8
EB6.80.649	. . . DIAPHRAGM, L.H.	1	L72	GA7/9
EB6.80.650	. . . DIAPHRAGM, R.H.	1	L72	GA7/10
AGS2001B1	. . . NUT, 4BA	56	—	GA7/11
AGS2001C1-66	. . . NUT, 2BA	16	—	GA7/12
EB6.80.761	. . . PIECE, packing	2	L72	GA7/13
EB6.80.653	. . . PLATE, mounting, assembly	1	—	GA7/14
SP13B	. . . WASHER	56	—	GA7/15
SP13C	. . . WASHER	16	—	GA7/16
EB6.80.633	. . . MOUNTING, FLIGHT COMPUTER Spares for:—	1	—	GA7/17
MARCONI R.I.D. 1004-A EDC	. . . LOCK, device	2	—	GA7/18
EB6.80.635	. . . MEMBER, horizontal (Make from Marconi Part No. R.I.D.1., Ref. 9)	2	—	GA7/19
MARCONI R.I.D. 1012-1 REF 15	. . . MEMBER, side, R.H.	1	—	GA7/20

AP101B-0407-3A

EQUIPMENT, AIRCRAFT  
PRESSURE CABIN EQUIPMENT

Part Number	Description	No. Off	Matl. Spec.	Plate No.
MARCONI R.I.D. 1012-2 Ref. 15	. . . MEMBER, side L.H.  Attaching parts for R.I.D. 1012-1, Ref. 15 and R.I.D. 1012-2, Ref. 15:—	1	—	GA7/21
AGS2002C1	. . . Nut, 2BA	4	—	GA7/22
A33C16	. . . Screw, 2BA	4	—	GA7/23
MARCONI R.I.D. 1012-3	. . . Washer, domed	4	—	GA7/24
SPERRY SK9054-8	. . . MOUNTING, shock absorber Attaching parts for SK.9054-8:—	4	—	GA7/25
AGS2002C1	. . . Nut, 2BA	8	—	GA7/26
A31C12	. . . Screw, 2BA	8	—	GA7/27
AS810/4/02	. . . Tube, distance	4	L62	GA7/28
EB6.80.637	. . MOUNTING, JUNCTION BOX FLIGHT, INSTRUMENTS Spares for:—	1	—	GA7/29
EB6.80.639	. . . ANGLE, mounting, assembly Attaching parts for EB6.80.639:—	1	—	GA7/30
A25/1B	. . . Bolt, 4BA	3	—	GA7/31
EB6.80.643	. . . PLATE, mounting, assembly Attaching parts for EB6.80.643:—	1	—	GA7/32
A25/1B	. . . Bolt, 4BA	6	—	GA7/33
AGS2001B1	. . . Nut, 4BA	6	—	GA7/34
SP13B	. . . Washer	6	—	GA7/35
EB7.80.5605	. . EXTINGUISHER, FIRE, INSTALLATION (MOD 3819) (For A/C embodying Mod 2718) Spares for:—	—	—	GA25/1
EB7.80.5607	. . BRACKET, assembly	1	—	GA25/2
EB7.80.5611	. . BRACKET, assembly	1	—	GA25/3
11B180	. . BRACKET, FIRE EXTINGUISHER Attaching parts for 11B180:—	1	—	GA25/4
AS1244/5C	. . Bolt, 2BA	3	—	GA25/5
34H	. . EXTINGUISHER, type 34H	1	—	GA25/6
EA3.80.1989	. . HANDLE, EMERGENCY, HYDRAULIC PUMP Spares for:—	1	—	GA19/23
ROMAC B80	. . GRIP	1	—	GA19/24
or ROMAC B79	. . GRIP	1	—	
or AUTOMOTIVE PRODUCTS UMC529 32306	. . GRIP	1	—	
	. . HOLDER, FREQUENCY CARD ON PILOT'S PORT COAMING TUBE, INSTALLATION (SRIM 3799) (MOD 5022) Spares for:—	—	—	GA8/1
14632	. . ANGLE, bracket, support, forward, 16 swg	1	—	GA8/2
14633	. . ANGLE, bracket, support, aft, 16 swg	1	—	GA8/3

EQUIPMENT, AIRCRAFT  
PRESSURE CABIN EQUIPMENT

AP101B-0407-3A

Part Number	1 2 3 4 5 6	Description	No. Off	Matl. Spec.	Plate No.
22525		. . BRACKET, holder support, 16 SWG Attaching parts for 22525:—	1	L72	GA8/4
A25/1C		. . Bolt, 2BA	4	—	GA8/5
AGS2001C1-66		. . Nut, 2BA	4	—	GA8/6
SP15C		. . Washer	4	—	GA8/7
5L9951271		. . FILAMENT, 28V, 3.5W	2	—	GA8/8
14631		. . HINGE (Make from Ref. 28N/9486470)	1	—	GA8/9
22527		. . HOLDER, card, 26 SWG	3	L72	GA8/10
5CX1041518		. . LAMP, type D	2	—	GA8/11
22526		. . PLATE, hinged, 16 SWG	1	L72	GA8/12
EA3.80.761		. . SPRING, tension	1	—	GA8/13
EA3.85.15		. MOUNTING, DESTRUCTOR, ASSEMBLY Spares for:—	—	—	GA20/9
EA3.85.17		. . BRACKET, MOUNTING, ASSEMBLY Spares for:—	1	—	GA20/10
EA3.85.25		. . . BAND, wire	1	—	GA20/11
EA3.85.27		. . . BAND, wire	1	—	GA20/12
EA3.80.873		. MOUNTING, JUNCTION BOX BRACKETS INSTALLATION Spares for:—	—	—	
EA3.80.1337		. . BRACKET, assembly	1	L72	
EA3.80.1339		. . BRACKET, assembly	1	L72	
EB7.80.901		. MOUNTING, PERISCOPE, ASSEMBLY Spares for:—	—	—	
6B4343690		. . MOUNTING, periscope, Mk. 1A Attaching parts for Ref. 6B/4343690:—	1	—	
AS2920/5E		. . Bolt, ¼" BSF	8	—	
EB7.80.5907		. NAVIGATOR'S COMPARTMENT, STARBOARD WALL ARRANGEMENT (MOD 5022) Spares for:—	—	—	
6B4343641		. . AMPLIFIER, type B, gyro compass	1	—	GA8/14
27N4670513		. . AXE, fire (NHA EB7.80.5561)	1	—	GA8/15
AS2294/8		. . CLIP, spring, fire axe stowage	1	—	GA8/16
EA3.80.1327		. . CONTROL, UNIT, G4B, INSTALLATION Spares for:—	—	—	GA8/17
6B408		. . . PANEL, control, type A Attaching parts for Ref. 6B/408:—	1	—	GA8/18
A32C16		. . . Screw, 2BA	4	—	GA8/19
14A540		. . PLATE, wedge Attaching parts for Plate:—	3	—	GA8/20
AGS2001C1-66		. . Nut, 2BA	4	—	GA8/21
A32C12		. . Screw, 2BA	4	—	GA8/22
EB7.80.5565		. . STRAP, assembly, fire axe (NHA EB7.80.5561) Attaching parts for EB7.80.5565:—	1	—	GA8/23
AGS2001C1-66		. . Nut, 2BA	2	—	GA8/24
EB7.80.5563		. . Plate, doubling	1	—	GA8/25
EEAS1/2C		. . Screw, 2BA	2	S96	GA8/26
SP15C		. . Washer	2	—	GA8/27
EB7.80.483		. . STRUCTURE, GREEN SATIN AND ELECTRICAL EQUIPMENT, INSTALLATION Spares fro:—	—	—	
EB7.80.533		. . . FLOOR, bottom, assembly	1	—	GA8/28

R

EQUIPMENT, AIRCRAFT  
PRESSURE CABIN EQUIPMENT

Part Number	Description	No. Off	Matl. Spec.	Plate No.
EB7.90.501	. . . MOUNTING, TOP, ASSEMBLY Spares for:—	1	—	GA8/29
EB7.80.505	. . . . DOOR, aft, assembly	1	—	GA8/30
EB7.80.503	. . . . DOOR, forward, assembly	1	—	GA8/31
EB7.80.529	. . . . HINGE	1	—	GA8/32
EB7.80.531	. . . . HINGE	1	—	GA8/33
A403	. . . . PIN, 'pip', type A	2	—	GA8/34
TERRY 169-1"	. . . . RING, split	4	—	GA8/35
15390-014	. . TRAY, mounting, amplifier Attaching parts for 15390-014:—	1	—	GA8/36
A25/1E	. . Bolt, 1/4" BSF	4	—	GA8/37
SP15E	. . Washer	4	—	GA8/38
EB7.80.5903	. PANELS, PILOT'S INSTRUMENTS, INSTALLATION (MOD 5022) Spares for:—	—	—	
22653	. . ANGLE	1	—	GA9/9
EB6.80.621	. . BRACKET, angle assembly Attaching parts for EB6.80.621:—	1	—	GA9/10
A31C32	. . Screw, 2BA	4	—	GA9/11
32401	. . BRACKET, rear mounting Attaching parts for 32401:—	1	—	GA9/12
A25/1B	. . Bolt, 4BA	7	—	GA9/13
AGS2001B1	. . Nut, 4BA	7	—	GA9/14
SP15B	. . Washer, 4BA	7	—	GA9/15
EB7.80.473	. . BRACKET, shock absorber Attaching parts for EB7.80.473:—	4	—	GA9/16
A61/1C	. . Bolt, 2BA	2	—	GA9/17
AGS2001C3	. . Nut, 2BA	2	—	GA9/18
EB7.80.451	. . CHANNEL, assembly	1	—	GA9/19
EA1.81.401	. . LEAD, bonding, engine instrument panel	1	—	GA9/20
14504	. . LEAD, bonding, flying panel	1	—	GA9/21
100P4	. . MOUNTING, AV, engine instrument panel Attaching parts for 100P4:—	6	—	GA9/22
A25/1B	. . Bolt, 4BA	4	—	GA9/23
AGS.2001B1	. . Nut, 4BA	4	—	GA9/24
150P8	. . MOUNTING, AV, flying panel	5	—	GA9/25
150P10	. . MOUNTING, AV, flying panel Attaching parts for 150P8 or 150P10:—	3	—	GA9/26
A61/1B or A61/2B	. . Bolt, 4BA	4	—	GA9/27
AGS.2001B3	. . Nut, 4BA	4	—	GA9/28
EB6.80.757	. . PACKING	1	—	GA9/30
EB7.80.5909	. . PANEL, FLYING, ASSEMBLY (MOD 5022) (PRE-MOD 5430) Spares for:—	—	—	GA13/1
KOLLSMANN L82621-04-010	. . . ALTIMETER, Mk. 29B Attaching parts for L82621-04-010:—	1	—	GA13/2
KOLLSMANN L84380-00-100	. . . Plate, mooring	1	—	GA13/3
A219B36	. . . Screw, 6 UNC	4	—	GA13/4

EQUIPMENT, AIRCRAFT  
PRESSURE CABIN EQUIPMENT

Part Number	1 2 3 4 5 6	Description	No. Off	Matl. Spec.	Plate No.
WB1110S10B	. . . .	BLOCK, terminal	1	-	GA13/5
01-0383	. . . .	CLIP, retaining	6	-	GA13/6
WB1110B5	. . . .	COVER, terminal block	1	-	GA13/7
L1114	. . . .	FILAMENT, warning lamp	1	-	GA13/8
L1338	. . . .	FILAMENT, 28V, 0.04A	26	-	GA13/9
A260	. . . .	FILAMENT, 28V, 0.08A	4	-	GA13/10
16382-0	. . . .	GYRO, unit, compass, type B	1	-	GA13/11
A44C28	. . . .	Attaching parts for 16382-0:- Screw, 2BA	4	-	GA13/12
S1S2465	. . . .	HOLDER, correction card (Mod 5182)	1	-	GA13/13
SMITH	. . . .	INDICATOR, aileron trim	1	-	GA13/14
430FL	. . . .	INDICATOR, rudder trim	1	-	GA13/15
496FL	. . . .	INDICATOR, tail trim	1	-	GA13/16
814FL	. . . .	Attaching parts for trim indicators:- Screw, 4BA	4	-	GA13/17
A44B24	. . . .	INDICATOR, airspeed, Mk. 15A	1	-	GA13/18
164-1ASPC	. . . .	Attaching parts for 164-1ASPC:- Screw, 6 UNC	4	-	GA13/19
A221B32	. . . .	INDICATOR, zero reader	1	-	GA13/20
16611-0	. . . .	Attaching parts for 16611-0:- Screw, 4BA	4	-	GA13/21
A44B24	. . . .	INDICATOR, electrical, type 7, ILS	1	-	GA13/22
SIS5686	. . . .	Attaching parts for SIS5686:- Screw, 4BA	4	-	GA13/23
A44B20	. . . .	INDICATOR, magnetic, type C	1	-	GA13/24
C5165Y	. . . .	INDICATOR, rate of climb, Mk 3P (Pre Mod 5228)	1	-	GA13/25
SIS6101	. . . .	INDICATOR, rate of climb, Mk 3Q (Mod 5228)	1	-	
KRA1001K	. . . .	INDICATOR, rate of climb, Mk 3AP	1	-	
6A2966	. . . .	Attaching parts for Ref. 6A2966 or SIS6101 or KRA1001K:-	4	-	GA13/26
A221B32	. . . .	Screw, 6 UNC	4	-	GA13/26
JG206D1	. . . .	INDICATOR, radar altimeter (SRIM 3799) (Mod 5022)	1	-	GA13/27
A44B28	. . . .	Attaching parts for JG206D1:- Screw, 4BA	4	-	GA13/28
†	. . . .	INDICATOR, relative bearing, type ID663UA (SRIM 3799) (Mod 5022)	1	-	GA13/29
MILLER SERVICES LTD. SLOUGH	. . . .	Attaching parts for indicator:- Screw, pan head, 4mm x 20mm	2	-	GA13/30
	. . . .	Screw, pan head, 4mm x 25mm	2	-	GA13/31
6A2945	. . . .	INDICATOR, turn and slip Mk. 2	1	-	GA13/32
or	. . . .	INDICATOR, turn and slip Mk. 3	1	-	
ID95 ISSUE 2	. . . .	Attaching parts for Ref. 6A2945 or ID95 ISSUE 2:- Screw, 4BA	4	-	GA13/33
A44B20	. . . .	LAMP, bridge, type F, relative bearing indicator (SRIM 3799) (Mod 5022)	1	-	GA13/34
80-10-1191	. . . .				

EQUIPMENT, AIRCRAFT  
PRESSURE CABIN EQUIPMENT

Part Number	Description	No. Off	Mati. Spec.	Plate No.	
					1
80/10/1198	. . . LAMP, bridge, gyro compass (SRIM 3799) (Mod 5022)	1	—	GA13/35	
01-0495	. . . LAMP, pillar (SRIM 3799) (Mod 5022)	6	—	GA13/36	
01-0497	. . . LAMP, pillar (SRIM 3799) (Mod 5022)	18	—	GA13/37	
M1684	. . . LAMP, warning, type B, amber	1	—	GA13/38	
M1684	. . . MACHMETER, Mk.2	1	—	GA13/39	
A44B32	. . . Attaching parts for M1684:— Screw, 4BA	4	—	GA13/40	
41461	. . . PANEL, assembly, flying, 10 SWG (SRIM 3799) (Mod 5022)	1	L73	GA13/41	
EB6.81.5349	. . . PILLAR, fixing, terminal block	2	—	GA13/42	
16370-0	. . . SELECTOR, combined heading and control panel Attaching parts for 16370-0:—	1	—	GA13/43	
A44B28	. . . Screw, 4BA	4	—	GA13/44	
14871	. . . Space, lamps (SRIM 3799) (Mod 5022)	6	L65	GA13/45	
C1101C7	. . . SWITCH, push (SRIM 3799) (Mod 5022)	1	—	GA13/46	
64-32900-4A	. . . UNIT, gyro horizon, Mk.4A Attaching parts for 64-32900-4A:—	1	—	GA13/47	
A44C20	. . . Screw, 2BA	3	—	GA13/48	
A61/14E	. . . Attaching parts for EB7.80.5909:— Bolt, 1/4" BSF	4	—	GA9/31	
AGS2001E3	. . . Nut, 1/4" BSF	4	—	GA9/32	
EEAS28/51FR	. . . Washer	10	L72	GA9/33	
EEAS28/51JR	. . . Washer	2	—	GA9/34	
R SCSHQ131033.A0	. . . PANEL, FLYING, INSTALLATION (MOD 5430)	1	—		
EB7.80.5911	. . . PANEL, ENGINE INSTRUMENTS, ASSEMBLY (MOD 5022) Spares for:—	1	—	GA14/1	
WB1110S10B	. . . BLOCK, terminal (SRIM 3799) (Mod 5022)	1	—	GA14/2	
EB7.80.43	. . . BRACKET, plug mounting Attaching parts for EB7.80.43:—	2	L72	GA14/3	
AGS2001A1	. . . Nut, 6BA	4	—	GA14/4	
A-43A10	. . . Screw, 6BA	4	—	GA14/5	
SP15A	. . . Washer	4	—	GA14/6	
R EA7.80.137	. . . BRACKET, mounting, top	1	—	GA14/7	
EB7.80.41	. . . BRACKET, mounting	1	—	GA14/8	
EB7.80.42	. . . BRACKET, mounting	1	—	GA14/9	
HV3711	. . . CAP, dolly	7	—	GA14/10	
01-0383	. . . CLIP, retaining	6	—	GA14/11	
WB1110B5B	. . . COVER, terminal block (SRIM 3799) (Mod 5022)	1	—	GA14/12	
L1338	. . . FILAMENT, 28V, 0.4A (SRIM 3799) (Mod 5022)	24	—	GA14/13	
5L9951110	. . . FILAMENT, 6V, 0.24A	2	—	GA14/14	
SMITH AG28	. . . GAUGE, fuel contents	2	—	GA14/15	
SMITH AG29	. . . GAUGE, fuel contents	1	—	GA14/16	
SMITH AG30	. . . GAUGE, fuel contents	1	—	GA14/17	
SMITH AG144	. . . GAUGE, fuel contents	1	—	GA14/18	
SMITH 1ACR	. . . GAUGE, oil pressure	2	—	GA14/19	
A43B24	. . . Attaching parts for gauges:— Screw, 4BA	4	—	GA14/20	
SP93A4	. . . GROMMET	6	—	GA14/21	
H2702	. . . LAMP, warning, type B, red	2	—	GA14/22	
01-0460	. . . LAMP, bridge, type C (SRIM 3799) (Mod 5022)	2	—	GA14/23	

EQUIPMENT, AIRCRAFT  
PRESSURE CABIN EQUIPMENT

Part Number	1 2 3 4 5 6	Description	No. Off	Mati. Spec.	Plate No.
80/10/1191	. . .	LAMP, bridge, type F (SRIM 3799) (Mod 5022)	1	—	GA14/24
01-0497	. . .	LAMP, pillar (SRIM 3799) (Mod 5022)	18	—	GA14/25
32308	. . .	PANEL, assembly, instruments, 18 SWG (SRIM 3799) (Mod 5022)	1	L72	GA14/26
WB1114/28	. . .	PILLAR, fixing, terminal block	2	—	GA14/27
XD778	. . .	SWITCH, SP Attaching parts for XD778:—	7	—	GA14/28
A43B12	. . .	Screw, 4BA	2	—	GA14/29
AGS2035B	. . .	Washer, shakeproof	2	—	GA14/30
EEAS28/2ER	. . .	Washer	4	—	GA14/31
MT 10A	. . .	TACHOMETER, Mk. 10A Attachments for MT 10A:—	2	—	GA14/32
AGS1658/0	. . .	Nut, gland	1	—	GA14/33
A43B24	. . .	Screw, 4BA	4	—	GA14/34
AGS1651/3	. . .	Sleeve	1	—	GA14/35
S1S3652	. . .	THERMOMETER, exhaust gas temperature Attaching parts for S1S3652:—	1	—	GA14/36
AGS2001C1	. . .	Nut, 2BA	4	—	GA14/37
A43C20	. . .	Screw, 2BA Attaching parts for EB7.80.5911:—	4	—	GA14/38
A25/8B	. . .	Bolt, 4BA	2	—	GA9/35
A25/11B	. . .	Bolt, 4BA	1	—	GA9/36
AGS2001B1	. . .	Nut, 4BA	3	—	GA9/37
EA3.80.1789	. . .	Washer	10	L72	GA9/38
EEAS28/6GR	. . .	Washer	2	—	GA9/39
EB7.80.5913	. . .	PANEL, INSTRUMENT, STARBOARD, ASSEMBLY (MOD 5022) (PRE-MOD 5430) Spares for:—	1	—	GA11/1
SIS6104 or SIS6113	. . .	ALTIMETER, cabin, Mk.18	1	—	GA11/2
SIS6118	. . .	ALTIMETER, cabin, Mk.21 Attachments for altimeter:—	1	—	GA11/3
A221B32	. . .	Adapter, plate	1	—	GA11/4
or A44B24	. . .	Screw, 6 UNC	4	—	GA11/4
A44B32	. . .	Screw, 4BA	2	—	GA11/5
	. . .	Screw, 4BA	2	—	GA11/6
R WB1110S10B	. . .	BLOCK, terminal (SRIM 3799) (Mod 5022)	1	—	GA11/7
14873	. . .	BRACKET	1	—	GA11/8
14878	. . .	BRACKET, lamp Attaching parts for 14878:—	1	—	GA11/9
A32C20	. . .	Screw, 2BA	2	—	GA11/10
01-0383	. . .	CLIP, retaining	12	—	GA11/11
640-1-02600	. . .	CONTROL, unit, PTR.175 (SRIM 3799) (Mod 5022)	1	—	GA11/12
110L0198405	. . .	CONTROL, unit, HF (SRIM 3799) (Mod 5022)	1	—	GA11/13
WB1110B5B	. . .	COVER, terminal block (SRIM 3799) (Mod 5022)	1	—	GA11/14
L1338	. . .	FILAMENT, 28V, 0.4A (SRIM 3799) (Mod 5022)	21	—	GA11/15
SIS6014	. . .	GAUGE, oxygen, Mk.3	2	—	GA11/16
10069 N & Z	. . .	GAUGE, pressure	2	—	GA11/17
or SIS3592	. . .	GAUGE, pressure, Mk.14LL	2	—	

## PRESSURE CABIN EQUIPMENT

Part Number	Description	No. Off	Matl. Spec.	Plate No.	
					1
SMITH 505FL	. . . INDICATOR, cabin air	1	-	GA11/18	
A221B32	Attaching parts for gauges or indicator:-				
or	. . . Screw, 6 UNC	4	-	GA11/19	
A44B24	. . . Screw, 4BA	2	-	GA11/20	
A44B32	. . . Screw, 4BA	2	-	GA11/21	
5CZ6000	. . . INDICATOR, electro magnetic	2	-	GA11/22	
or					
5CZ4340430	. . . INDICATOR, electro magnetic	2	-		
5CX1143240	. . . LAMP, bridge, type O (SRIM 3799) (Mod 5022)	6	-	GA11/23	
5CX1143869	. . . LAMP, pillar (SRIM 3799) (Mod 5022)	7	-	GA11/24	
5CX1083075	. . . LAMP, warning, amber (SRIM 3799) (Mod 5022)	1	-	GA11/25	
5CX1083074	. . . LAMP, warning, green (SRIM 3799) (Mod 5022)	1	-	GA11/26	
41472	. . . PANEL, instrument, 14 SWG (SRIM 3799) (Mod 5022)	1	L72	GA11/27	
EB6.81.5349	. . . PILLAR, fixing, terminal block	2	-	GA11/28	
AS10512A-1	. . . SWITCH, SP, Cabin Air, Cold/Hot (SRIM 3799) (Mod 5022)	1	-	GA11/29	
AS10512A-2	. . . SWITCH, SP, Engine Air to Cabin, ILS/ADF, ILS, V/UHF Control Nav/Pilot and Aerial (SRIM 3799) (Mod 5022)	6	-	GA11/30	
AS10512A-7	. . . SWITCH, SP, V/UHF Tone and Mute (SRIM 3799) (Mod 5022)	2	-	GA11/31	
AS10512B-2	. . . SWITCH, SP, UHF Standby Alt/Guard (SRIM 3799) (Mod 5022)	1	-	GA11/32	
AS10512C-4	. . . SWITCH, SP, cabin Pressure Warning Horn (SRIM 3799) (Mod 5022)	1	-	GA11/33	
5CW4408138	. . . SWITCH, DP, UHF Standby Battery (SRIM 3799) (Mod 5022)	1	-	GA11/34	
	Attaching parts for EB7.80.5913:-				
A25/1C	. . . Bolt, 2BA	6	-	GA11/35	
AS1248/1/2C	. . . Bolt, 2BA	3	-	GA11/36	
SP15C	. . . Washer, 2BA	6	-	GA11/37	
SCSHQ130949.A0	. . . PANEL, INSTRUMENT, AUXILIARY, STARBOARD INSTALLATION (MOD 5430)	1	-		
EB7.80.19	. . . PANEL, UNDERCARRIAGE, INSTRUMENT, ASSEMBLY	1	-	GA10/1	
	Spares for:-				
EA3.81.2081	. . . BRACKET, switch, assembly	1	-	GA10/2	
	Attaching parts for EA3.81.2081:-				
A31B12	. . . Screw, 4BA	4	-	GA10/3	
5E9013547	. . . CABLE, Uninyvin 22	QR	-	GA10/4	
5E9467424	. . . CABLE, Uninyvin 20	QR	-	GA10/5	
508-1-07780-003	. . . CLAMP, cable	1	-	GA10/6	
EB7.80.35	. . . CLIP, cable	1	-	GA10/7	
	Attaching parts for EB7.80.35:-				
A25-1-2B	. . . Bolt, 4BA	2	-	GA10/8	
AGS2001B1	. . . Nut, 4BA	2	-	GA10/9	
CZ56746	. . . COUPLER, mounting panel	1	-	GA10/10	
5K9573173	. . . COVER, spring, assembly	1	-	GA10/11	
5L9951284	. . . FILAMENT, 28V, 3.5W	9	-	GA10/12	
or					
5L9951286	. . . FILAMENT, 28V, 3.5W	9	-		
508-2-07707-200	. . . GASKET, outlet	1	-	GA10/13	

R  
R  
R

EQUIPMENT, AIRCRAFT  
PRESSURE CABIN EQUIPMENT

Part Number	Description						No. Off	Matl. Spec.	Plate No.
	1	2	3	4	5	6			
508-2-07724-200 SMITH 218FL	.	.	.				1	—	GA10/14
A40B20	.	.	.				1	—	GA10/15
5CX5204 or 5CX4330226	.	.	.				4	—	GA10/16
A40B20	.	.	.				1	—	GA10/17
EA3.81.2075	.	.	.				1	—	GA10/18
A31B28 AGS2034B	.	.	.				1	—	GA10/19
EB7.75.57	.	.	.				1	—	GA10/20
AS2922/3B EB7.75.515 EB7.75.55 SP14B	.	.	.	.	.	.	1	—	GA10/21
508-1-07626-003 EB7.80.21 508-2-07758-007	.	.	.				1	—	GA10/22
EEAS146/6 EEAS146/20 HELLERMANN HV3254 HELLERMANN NT3255	.	.	.				3	—	GA10/23
EA3.81.2071 EA3.81.5851	.	.	.				1	—	GA10/24
A33A6 5CW6435 5CW1047697 EA3.81.2073	.	.	.				1	—	GA10/25
5CW6252559	.	.	.				1	—	GA10/26
AGS2001A1 A32A16	.	.	.				3	—	GA10/27
DOWTY C2524Y	.	.	.				1	—	GA10/28
AGS2001B1 A40B16	.	.	.				1	—	GA10/29
5K9573173 AS1246/1C	.	.	.				1	—	GA10/30
	.	.	.				40	—	GA10/31
	.	.	.				QR	—	GA10/32
	.	.	.				8	—	GA10/33
	.	.	.				1	—	GA10/34
	.	.	.				1	—	GA10/34
	.	.	.				2	—	GA10/35
	.	.	.				1	—	GA10/36
	.	.	.				1	—	GA10/37
	.	.	.				1	—	GA10/37
	.	.	.				1	—	GA10/38
	.	.	.				4	—	GA10/39
	.	.	.				4	—	GA10/40
	.	.	.				1	—	GA10/41
	.	.	.				2	—	GA10/42
	.	.	.				2	—	GA10/43
	.	.	.				1	—	GA10/44
	.	.	.				7	—	GA10/45

AP101B-0407-3A

EQUIPMENT, AIRCRAFT  
PRESSURE CABIN EQUIPMENT

Page GA.17

Part Number	Description	No. Off	Matl. Spec.	Plate No.
R 41458	. . . PANEL, PILOT'S COAMING, INSTALLATION (SRIM 3799) (Mod 5022) (PRE-MOD 5430) Spares for:—	—	—	GA16/1
6A4695406	. . . ACCELEROMETER, Mk.2 Attaching parts for Ref. 6A/4695406:—	1	—	GA16/2
A32B28	. . . Screw, 4BA	2	—	GA16/3
SP15B	. . . Washer	2	—	GA16/4
SAUNDERS-ROE DEVEL. LTD. WB1110D5B	. . . BETALIGHT, type M23/G/55, for emergency light switch	1	—	GA16/5
22615	. . . BLOCK, terminal	2	—	GA16/6
	. . . BRACKET, mounting, accelerometer, 18 SWG Attaching parts for 22615:—	1	L72	GA16/7
A61/1B	. . . Bolt, 4BA	3	—	GA16/8
SP15B	. . . Washer	3	—	GA16/9
R 14846	. . . BRACKET, support, accelerometer, 18 SWG Attaching parts for 14846:—	1	L72	GA16/10
AS2923/1/2B	. . . Bolt, 4BA	2	—	GA16/11
BAC PRESTON MILITARY DIV. BAC PRESTON MILITARY DIV. WB1110B9	. . . CAP, dolly, type 1260 Z 74, anti-dazzle switch	1	—	GA16/12
5L9959182	. . . CAP, dolly, type 1260 Z 164, anti-dazzle switch	1	—	GA16/13
SP95A14	. . . COVER, terminal block	2	—	GA16/14
K114-5	. . . FILAMENT, 24V, 0.04A	12	—	GA16/15
5CX4330747	. . . GROMMET	2	—	GA16/16
5CX1143867	. . . KNOB, grey, switch	5	—	GA16/17
5CX1143869	. . . LAMP, amber, type 6, low level warning	1	—	GA16/18
5CX1085815	. . . LAMP, pillar, accelerometer	1	—	GA16/19
5CX9533587	. . . LAMP, pillar	10	—	GA16/20
41457	. . . LAMP, warning, red, type B, generator	2	—	GA16/21
WB1114-28	. . . LAMPHOLDER, low level warning light	1	—	GA16/22
10W0119860	. . . PANEL, pilot's coaming, 18 SWG	1	L72	GA16/23
32394	. . . PILLAR, fixing, terminal block	4	—	GA16/24
AGS2001B3	. . . RESISTOR, variable, low level warning light	1	—	GA16/25
A40B12	. . . SHIELD, glare, 22 SWG	1	L59	GA16/26
SP15B	. . . Attaching parts for 32394:— Nut, 4BA	6	—	GA16/27
14974	. . . Screw, 4BA	6	—	GA16/28
01-0107-21	. . . Washer	6	—	GA16/29
01-0089	. . . SPACER, accelerometer pillar lamp	2	L85	GA16/30
01-0091	. . . SWITCH, dimmer, instrument panel lights	1	—	GA16/31
5CW4405748	. . . SWITCH, dimmer, coaming panel lights	1	—	GA16/32
AS10512D-1	. . . SWITCH, dimmer, engine instrument panel lights and miscellaneous instruments	2	—	GA16/33
AS10512B-2	. . . SWITCH, push, fire warning	2	—	GA16/34
AS10512A-4	. . . SWITCH, SP, emergency lights	1	—	GA16/35
5Q4347793	. . . SWITCH, SP, turn and slip	1	—	GA16/36
5CW11817	. . . SWITCH, SP, anti-dazzle	1	—	GA16/37
	. . . VOLTMETER, 0-40V	1	—	GA16/38
	. . . WINDOW, F1	1	—	GA16/39

EQUIPMENT, AIRCRAFT  
PRESSURE CABIN EQUIPMENT

Part Number	1 2 3 4 5 6	Description	No. Off	Matl. Spec.	Plate No.
5CW11818		. . . WINDOW, F2 Attaching parts for 41458:—	1	—	GA16/40
AS1248/1C		. . . Bolt, 2BA	7	—	GA16/41
EB7.80.5661		. . . PANEL, PILOT'S CONSOLE, REMOVABLE ASSEMBLY (EB7.81.63) (EB7.81.7005) Spares for:—	1	—	GA15/1
EB7.81.703		. . . BLOCK, fuse (Make from Ref. 5X/4491411)	1	—	GA15/2
EB7.81.705		. . . BLOCK, fuse (Make from Ref. 5X/4491411) Attaching parts for EB7.81.703 and EB7.81.705:—	1	—	GA15/3
A31B8		. . . Screw, 4BA	2	—	GA15/4
AGS2035B		. . . Washer, shakeproof	2	—	GA15/5
R 703-2-00244		. . . BLOCK, terminal, 10-way Attaching parts for 703-2-00244:—	1	—	GA15/6
A31B28		. . . Screw, 4BA	2	—	GA15/7
EA3.81.2083		. . . BRACKET, photoflash, switch Attaching parts for EA3.81.2083:—	1	—	GA15/8
A32B12		. . . Screw, 4BA	4	—	GA15/9
R 5E6407476		. . . CABLE, Unifersil 12	QR	—	
R 5E3897		. . . CABLE, Unifersil 14	QR	—	
R 5E9994047		. . . CABLE, Unifersil 16	QR	—	
R 5E9467180		. . . CABLE, Unifersil 20	QR	—	
HV3711		. . . CAP, dolly (Pre—Mod 5099)	6	—	GA15/14
HV3710		. . . CAP, dolly (Pre—Mod 5099)	1	—	GA15/15
EB7.80.75		. . . COVER, fuse, assembly Spares for:—	1	—	GA15/16
EA1.81.542		. . . . CARRIER, spare fuse, 8-way Attaching parts for EA1.81.542:—	1	—	GA15/17
AGS2002A1		. . . . Nut, 6BA	2	—	GA15/18
A31A10		. . . . Screw, 6BA	2	—	GA15/19
EB7.80.77		. . . . COVER	1	—	GA15/20
PAGE					
A260		. . . FILAMENT, 28V, 2W	1	—	GA15/21
10H21797		. . . FUSE, type S, 2.5 amp	3	—	GA15/22
10H4709560		. . . FUSE, type S, 5 amp	6	—	GA15/23
10H4709561		. . . FUSE, type S, 10 amp	2	—	GA15/24
10H4709562		. . . FUSE, type S, 20 amp	2	—	GA15/25
EB8.81.5885		. . . GUARD, switch (Mod 3870)	1	—	GA15/26
EA2.81.5915		. . . GUARD, switch, locking assembly (Mod 4308)	1	—	GA15/27
10H2073169		. . . HOLDER, fuse (Mod 3356)	1	—	
		. . . INDICATOR, magnetic, type A	2	—	GA15/28
C500C7		. . . INDICATOR, warning, amber	1	—	
EA3.81.787		. . . KNOB, switch Attaching parts for EA3.81.787:—	2	—	GA15/29
EA3.81.1089		. . . Screw, grub	1	—	GA15/30
or					
A55A4		. . . Screw, grub, 6BA			

EQUIPMENT, AIRCRAFT  
PRESSURE CABIN EQUIPMENT

Part Number	Description						No. Off	Matl. Spec.	Plate No.
	1	2	3	4	5	6			
EA3.81.2077	.	.	.	.	.	.	1	-	GA15/31
						Attaching parts for EA3.81.2077:-			
A31B28	.	.	.	.	.	Screw, 4BA	1	-	GA15/32
703-2-00255	.	.	.	.	.	LINK, 6-way	1	-	GA15/33
EEAS71-3	.	.	.	.	.	LINK, 4-way	1	-	GA15/34
EEAS71-2	.	.	.	.	.	LINK, 3-way	1	-	GA15/35
AS10512L1	.	.	.	.	.	PLATE, adaptor, jettison safe switch (Mod 4308)	1	-	GA15/36
EB7.80.5653	.	.	.	.	.	PLATE, adaptor, fuse holder (Mod 3356)	1	-	
EB7.80.5137	.	.	.	.	.	PLATE, support, terminal block	1	-	GA15/37
EB6.80.8007	.	.	.	.	.	PLATE, mounting, rudder trim switch (Mod 4009)	1	-	
EB6.80.6043	.	.	.	.	.	PLATE, striped, switch mounting (Mod 4308)	1	-	GA15/38
AS10512L1	.	.	.	.	.	PLATE, adaptor (Alt. R60/60) (Mod 5099)	7	-	
AS10512L2	.	.	.	.	.	PLATE, adaptor (Alt. R60/60) (Mod 5099)	1	-	
508-1-06394	.	.	.	.	.	PLUG, size A	1	-	GA15/39
508-1-06413	.	.	.	.	.	PLUG, size D	3	-	GA15/40
AS10512M1	.	.	.	.	.	SHROUD, terminal (Alt. R60/60) (Mod 5099)	8	-	
AS10512M2	.	.	.	.	.	SHROUD, terminal (Alt. R60/60) (Mod 5099)	3	-	
508-2-11232-002	.	.	.	.	.	SLEEVE, adaptor	37	-	
EEAS146-12	.	.	.	.	.	SLEEVE	13	-	
EEAS146-6	.	.	.	.	.	SLEEVE	9	-	
EEAS146-16	.	.	.	.	.	SLEEVE	4	-	
EEAS146-20	.	.	.	.	.	SLEEVE	101	-	
EEAS566	.	.	.	.	.	SLEEVE, special	1	-	
HV3254	.	.	.	.	.	STRAP, flexible, PVC	QR	-	
NY3255	.	.	.	.	.	STUD	12	-	
EA3.81.6375	.	.	.	.	.	SWITCH, ASSEMBLY, RUDDER TRIM (MOD 4009) (PRE MOD 5099) Spares for:-	1	-	GA15/43
EA4.81.6801	.	.	.	.	.	KNOB, switch	2	-	GA15/44
†	.	.	.	.	.	SWITCH, (Part No. XD787 with modified dolly - Part No. XD827) Attaching parts for EA3.81.6375:-	1	-	GA15/45
A32B10	.	.	.	.	.	Screw, 4BA	4	-	GA15/46
AGS2035B	.	.	.	.	.	Washer, shakeproof	4	-	GA15/47
EK5.81.923	.	.	.	.	.	SWITCH, ASSEMBLY, RUDDER TRIM (ALT. R60/60) (MOD 5099) Spares for:-	2	-	
DN1260Z74	.	.	.	.	.	CAP, dolly	1	-	
1260Z165	.	.	.	.	.	KNOB Attaching parts for 1260Z165:-	1	-	
A35Z24	.	.	.	.	.	Screw, 8BA	1	-	
AS10512A1	.	.	.	.	.	SWITCH	1	-	
5CW1047692	.	.	.	.	.	SWITCH, S.P. identification morse	1	-	GA15/48
or									
AS10512A6	.	.	.	.	.	SWITCH (Alt. R60/60) (Mod 5099)	1	-	
SIS5492	.	.	.	.	.	SWITCH, S.P., tail trim (Pre-Mod 5099)	1	-	GA15/49
SIS5495	.	.	.	.	.	SWITCH, navigation and taxiing lights external lights master, identification steady and camera doors (Pre-Mod 5099)	5	-	GA15/50

EQUIPMENT, AIRCRAFT  
PRESSURE CABIN EQUIPMENT

Part Number	Description						No. Off	Matl. Spec.	Plate No.
	1	2	3	4	5	6			
AS10512A-2	.	.	.	.	.	.	4	-	
AS10512C-1	.	.	.	.	.	.	1	-	
D1001	.	.	.	.	.	.	1	-	GA15/51
or									
AS10512E-1	.	.	.	.	.	.	1	-	
NSF8820B103	.	.	.	.	.	.	1	-	GA15/52
or									
AS10512C-3	.	.	.	.	.	.	1	-	
NSF8824B108	.	.	.	.	.	.	1	-	GA15/53
AS10512A-2	.	.	.	.	.	.	1	-	GA15/54
SIS5492	.	.	.	.	.	.	1	-	GA15/55
EK5.81.927	.	.	.	.	.	.	1	-	
DN1260Z74	.	.	.	.	.	.	1	-	
1260Z163	.	.	.	.	.	.	1	-	
A35Z28	.	.	.	.	.	.	1	-	
AS10512A-1	.	.	.	.	.	.	1	-	
EA3.81.5851	.	.	.	.	.	.	1	-	GA15/56
†	.	.	.	.	.	.	1	-	GA15/57
5CW1047697	.	.	.	.	.	.	1	-	GA15/58
EA3.81.2073	.	.	.	.	.	.	1	-	GA15/59
A33A6	.	.	.	.	.	.	2	-	GA15/60
HC294	.	.	.	.	.	.	7	-	
HC294D	.	.	.	.	.	.	2	-	
HC296	.	.	.	.	.	.	4	-	
HC1187RH	.	.	.	.	.	.	2	-	
HC316A	.	.	.	.	.	.	2	-	
HC490	.	.	.	.	.	.	6	-	
HC510	.	.	.	.	.	.	6	-	
HC500	.	.	.	.	.	.	2	-	
A25/7C	.	.	.	.	.	.	12	-	GA15/61
SP13C	.	.	.	.	.	.	12	-	GA15/62
EB7.80.497	.	.	.	.	.	.	4	-	GA13/49
EA3.80.383	.	.	.	.	.	.	1	-	GA13/50
SCSHQ130947.A1	.	.	.	.	.	.	1	-	
EB6.80.787	.	.	.	.	.	.	1	-	GA10/46
EA9.80.1259	.	.	.	.	.	.	1	-	GA10/47
5E9467424	.	.	.	.	.	.	QR	-	GA10/48
SP93A8	.	.	.	.	.	.	1	-	GA10/49

EQUIPMENT, AIRCRAFT  
PRESSURE CABIN EQUIPMENT

Part Number	Description	No. Off	Matl. Spec.	Plate No.
ZA2402/1 or EH7.80.49	. . . GUARD, switch	1	—	
AS10512L-2	. . . GUARD (Alt. R60/60) (Mod 5099)	1	—	GA10/50
AS10512M-2	. . . PLATE, adaptor (Alt R60/60) (Mod 5099)	1	—	GA10/51
EEAS146/20	. . . SHROUD, terminal (Alt. R06/60) (Mod 5099)	1	—	GA10/52
5CW6435	. . . SLEEVE	2	—	GA10/53
5CW1047697	. . . SWITCH (Pre—Mod 3849)	1	—	
AS10512D-2	. . . SWITCH (Mod 3849) (Pre—Mod 5099)	1	—	
	. . . SWITCH (Alt. R60/60) (Mod 5099)	1	—	GA10/54
	Attaching parts for AS10512D-2			
A32B6	. . . Screw, 4BA	4	—	GA10/55
AGS2035B	. . . Washer, shakeproof	4	—	GA10/56
EA2.10.707	. RAMP, BOMB AIMER'S ASSEMBLY Spares for:—	1	—	GA20/26
EA2.10.709	. SPIGOT, assembly Attaching parts for EA2.10.707:—	2	—	GA20/27
AS1246/1C	. Bolt, 2BA	4	—	GA20/28
EB7.80.5705	. SEATING IN PRESSURE CABIN, ASSEMBLY Spares for:—	—	—	
EB6.80.25	. . BRACKET, attachment, pilot's seat rail	1	L95	GA17/1
EB6.80.26	. . BRACKET, attachment, pilot's seat rail Attaching parts for EB6.80.25 and EB6.80.26:—	1	S95	GA17/2
EB6.80.27	. . Bolt, 2BA	2	L97	GA17/3
A27CP	. . Nut, 2BA	2	—	GA17/4
EB6.80.29	. . Packing, fillet	2	L72	GA17/5
EA2.80.5143	. . BRACKET, LEG RESTRAINT, PILOT'S ASSEMBLY Spares for:—	—	—	GA20/1
A/MBEU3666	. . BRACKET, floor Attaching parts for A/MBEU3666:—	2	—	GA20/2
A25/9C	. . Bolt, 2BA	4	—	GA20/3
B/MBEU17353	. . LINE, leg restraint	2	—	GA20/4
MBEU8921	. . PIN, leg line	2	—	GA20/5
EB7.80.913	. BRACKET, LEG RESTRAINT, NAVIGATOR'S ASSEMBLY Spares for:—	—	—	GA20/6
A/MBEU3666	. . BRACKET, floor Attaching parts for A/MBEU3666:—	2	—	GA20/7
A25/7C	. . Bolt, 2BA	4	—	GA20/8
B/MBEU17353	. . LINE, leg restraint	2	—	GA20/13
MBEU8921	. . PIN, leg line	2	—	GA20/14
EA2.80.5135	. BRACKET, pipe clamp, assembly Attaching parts for EA2.80.5135:—	1	—	GA17/6
A25/1B	. . Bolt, 2BA	2	—	GA17/7
SP13B	. . Washer	2	—	GA17/8
EB6.80.5947	. BRACKET, TRIP ROD NAVIGATOR'S SEAT, INSTALLATION Spares for:—	—	—	GA17/9
EB6.80.5951	. . BRACKET	1	—	GA17/10

R  
R  
R  
R

EQUIPMENT, AIRCRAFT  
PRESSURE CABIN EQUIPMENT

Part Number	1 2 3 4 5 6	Description	No. Off	Matl. Spec.	Plate No.
EB6.80.5955	. . .	BRACKET	3	—	GA17/11
12K9629465	. . .	CARTRIDGE, set No. 13, Mk.1	2	—	GA17/12
12K9629446	. . .	CARTRIDGE, set No. 3, Mk.2 (Mod 4448)	2	—	GA17/13
EG5.80.177	. . .	CLAMP, PIPE, ASSEMBLY	1	—	GA17/14
		Spares for:—			
EG5.80.179	. . .	CLAMP, half	2	—	GA17/15
		Attaching parts for EG5.80.179, per pair:—			
A25/10B	. . .	Bolt, 4BA	2	—	GA17/16
AGS2001B1	. . .	Nut, 4BA	2	—	GA17/17
SP13B	. . .	Washer	2	—	GA17/18
AS4525-8	. . .	CLIP, support	3	—	GA17/19
		Attaching parts for AS4535-8:—			
A25/1C	. . .	Bolt, 2BA	1	—	GA17/20
AGS2001C1-66	. . .	Nut, 2BA	1	—	GA17/21
EEAS239/1A	. . .	Washer 'D'	1	—	GA17/22
MARTIN BAKER					
MBEU34678	. . .	GUN, ejection, type 12, Mk.1	1	—	GA17/23
MBEU34679	. . .	GUN, ejection, type 10, Mk.1	1	—	GA17/24
EB7.80.5707	. . .	MECHANISM, SINGLE LEVER EJECTION, INSTALLATION	—	—	
		Spares for:—			
EA3.80.6411	. . .	BOLT, special	3	S95	GA23/1
		Attaching parts for EA3.80.6411:—			
AGS2001C1-66	. . .	Nut, stiff 2BA	1	—	GA23/2
SP16C	. . .	Washer, thick, 2BA	1	—	GA23/3
EA3.80.6409	. . .	BOX, sealing	1	S510	GA23/4
EA3.80.6423	. . .	CABLE, secondary, firing	1	—	GA23/5
		Attaching parts for EA3.80.6423:—			
SP4Z/B4	. . .	Pin, shackle	2	—	GA23/6
SP90C4	. . .	Pin, split	2	—	GA23/7
SP13C	. . .	Washer, 2BA	2	—	GA23/8
EA3.80.6609	. . .	CABLE, secondary firing, port rear seat (Pre-Mod 5353)	1	—	GA23/33
EA3.80.6695	. . .	CABLE, secondary firing, port rear seat (Mod 5353)	1	—	GA23/34
		Spares for:—			
MARTIN BAKER					
MBEU 56016	. . .	PIN assembly	1	—	GA23/35
		Attaching parts for EA3.80.6609:—			
SP121G	. . .	Collar	1	—	GA23/36
SP4Z/B4	. . .	Pin, shackle	1	—	GA23/37
SP113G5	. . .	Pin, shear	1	—	GA23/38
SP90C4	. . .	Pin, split	1	—	GA23/39
SP90E7	. . .	Pin, split	1	—	GA23/40
SP13C	. . .	Washer	1	—	GA23/41
EB7.80.5711	. . .	CONDUIT, convoluted assembly	1	—	GA23/9
		Attaching parts fro EB7.80.5711:—			
A25/2B	. . .	Bolt, 4BA	8	—	GA23/10
AGS2001B1	. . .	Nut, stiff, 4BA	8	—	GA23/11
SP15B	. . .	Washer, 4BA	8	—	GA23/12
EA3.80.6407	. . .	COVER, assembly	1	S515	GA23/13
		Attaching parts for EA3.80.6407:—			
A25/2C	. . .	Bolt, 2BA	10	—	GA23/14
SP15C	. . .	Washer, 2BA	10	—	GA23/15

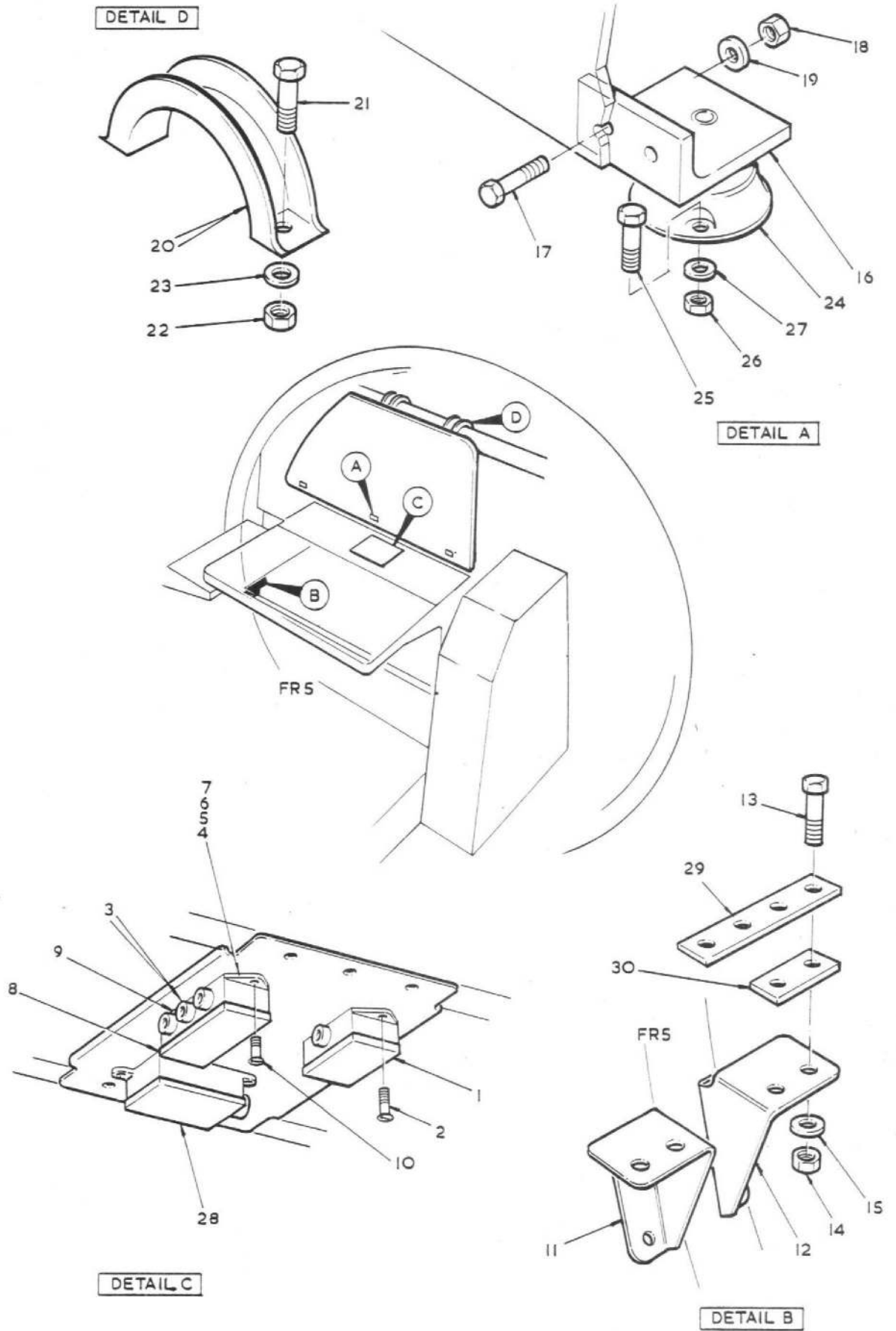
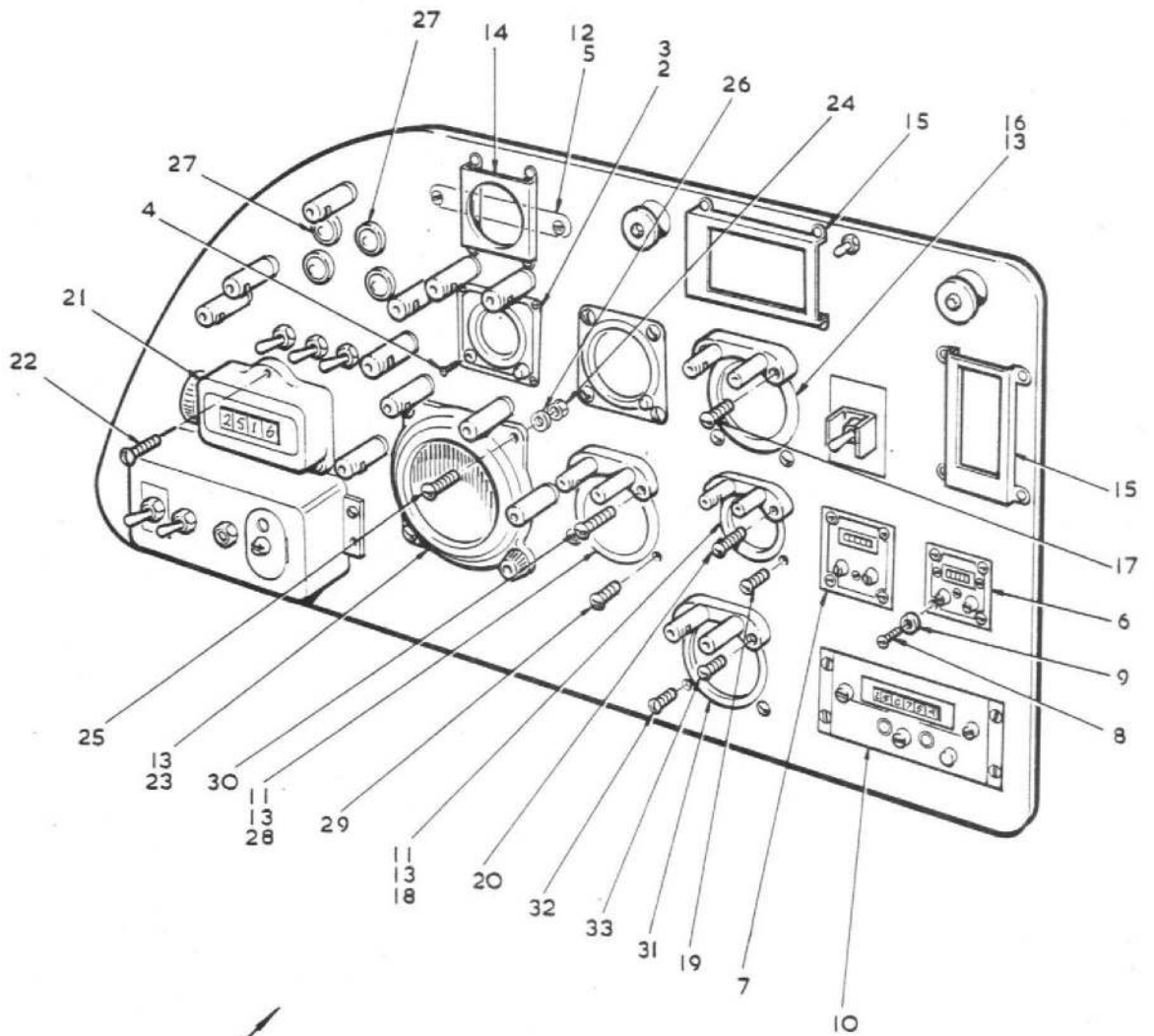
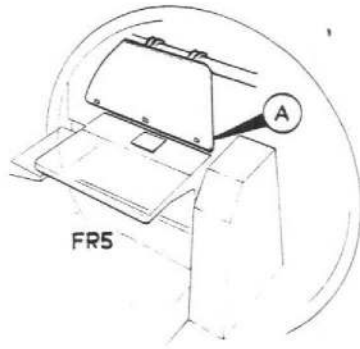


FIG 3 CABIN PRESSURE EQUIPMENT



DETAIL A

FIG 4 CABIN PRESSURE EQUIPMENT

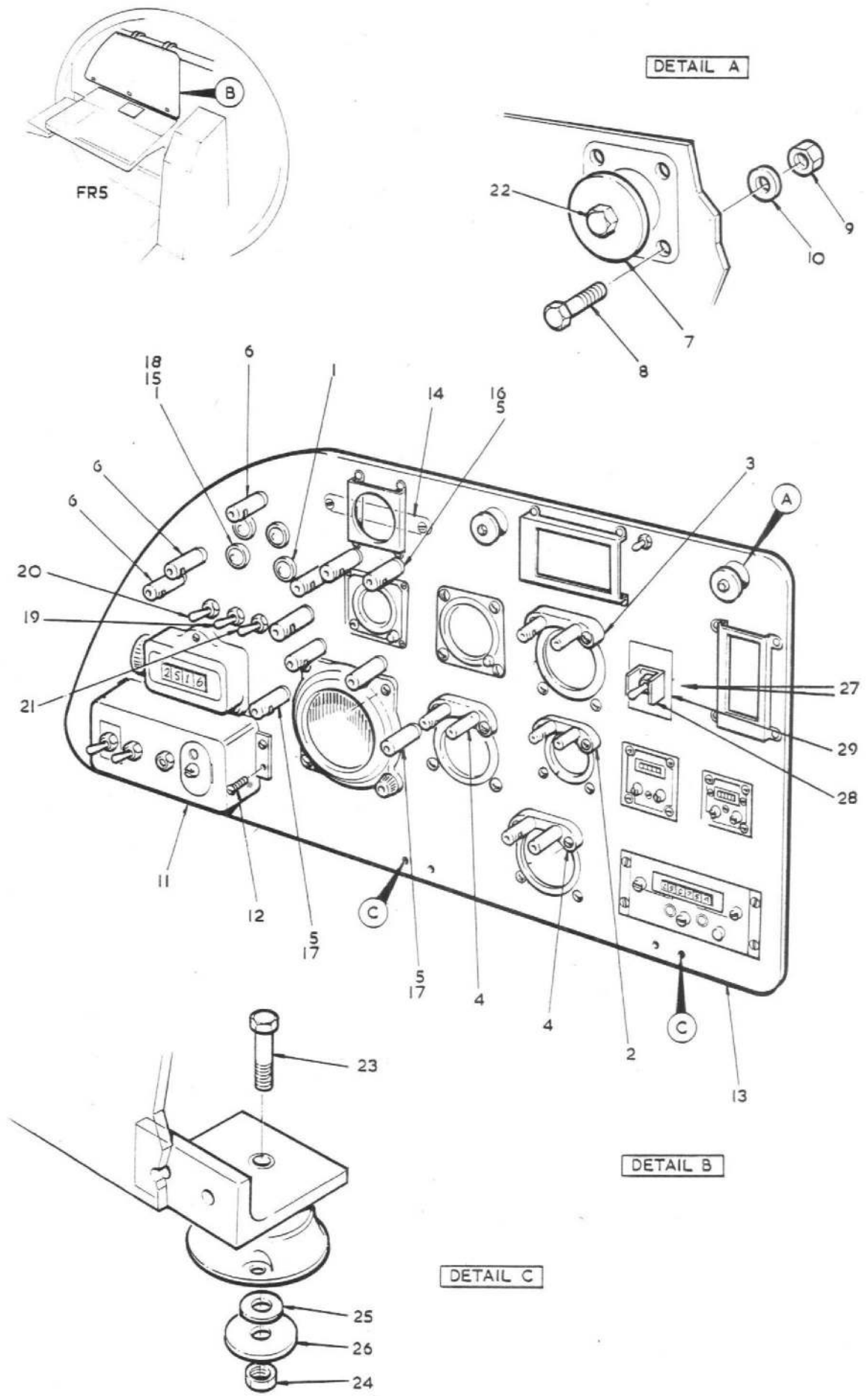


FIG 5 CABIN PRESSURE EQUIPMENT

CODE T

SECT GA

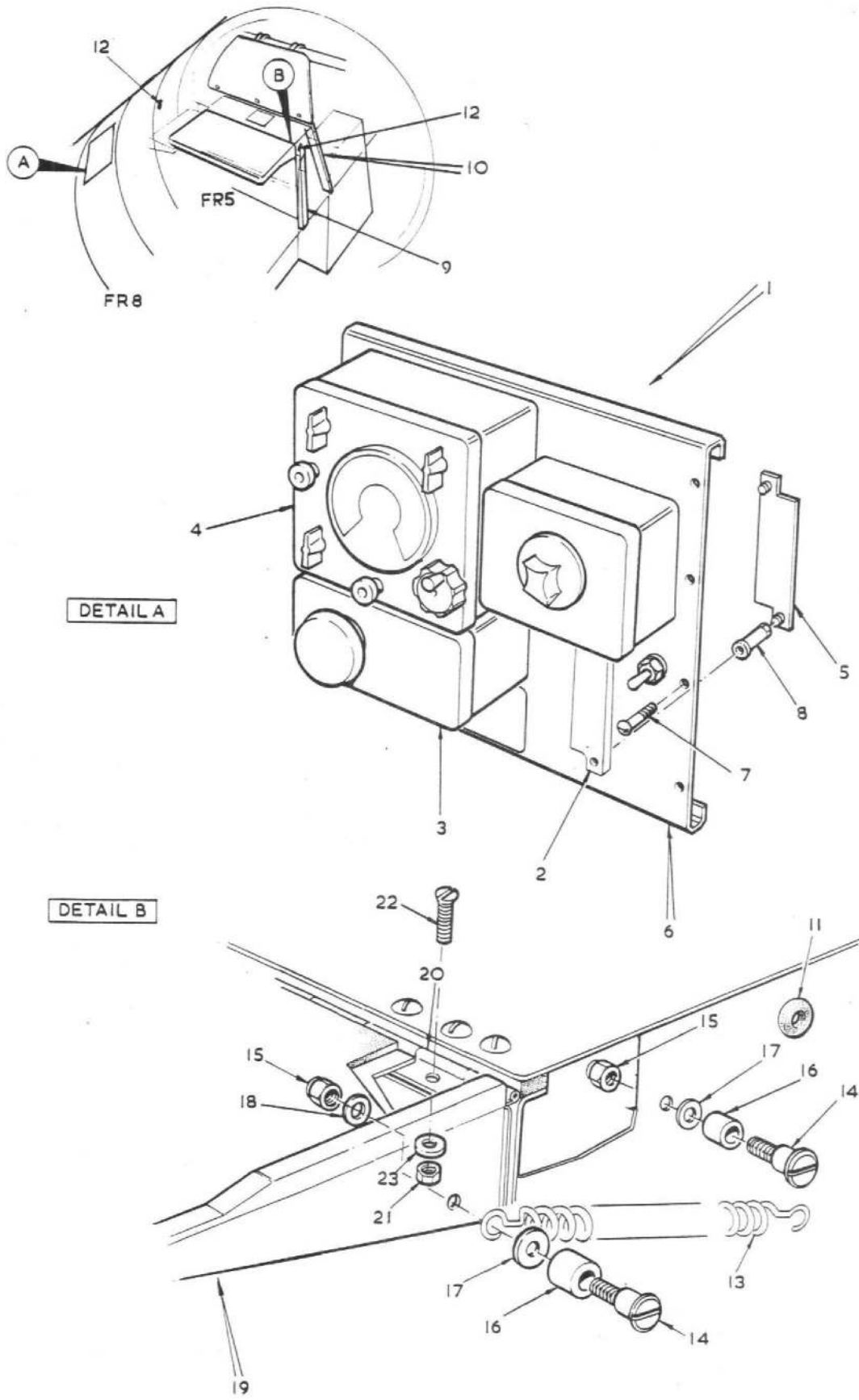


FIG 6 CABIN PRESSURE EQUIPMENT

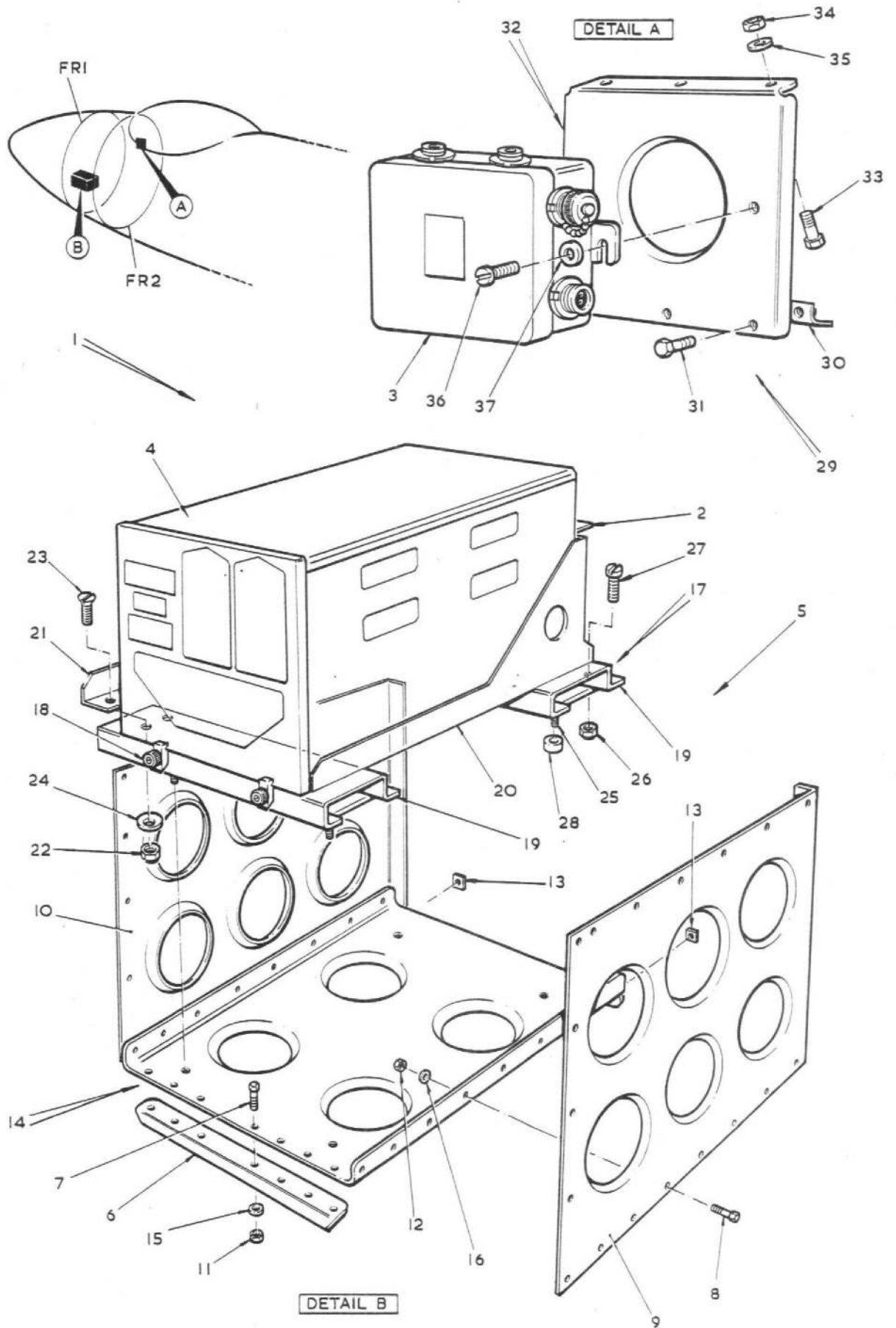


FIG 7 CABIN PRESSURE EQUIPMENT

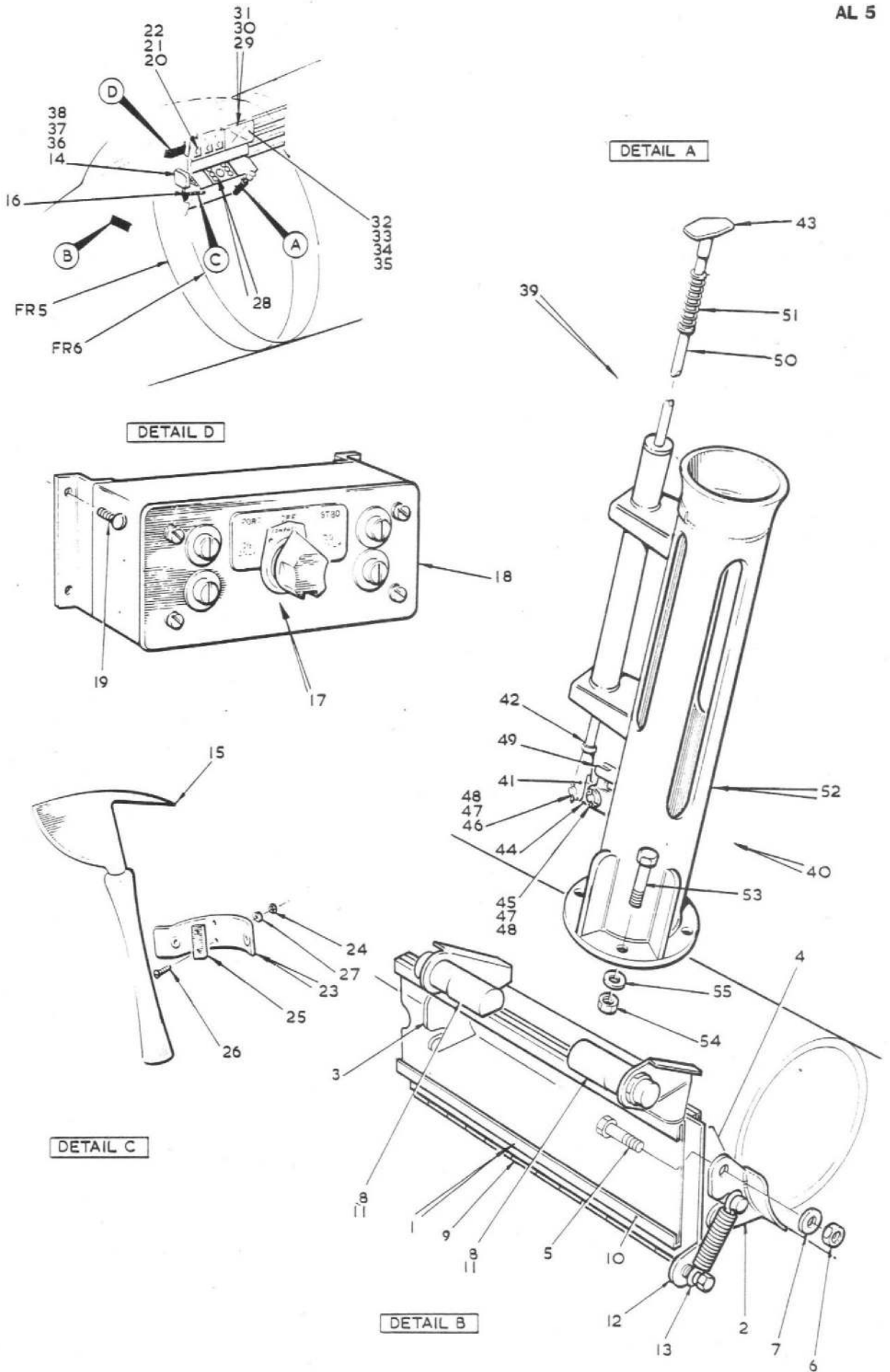


FIG 8 CABIN PRESSURE EQUIPMENT



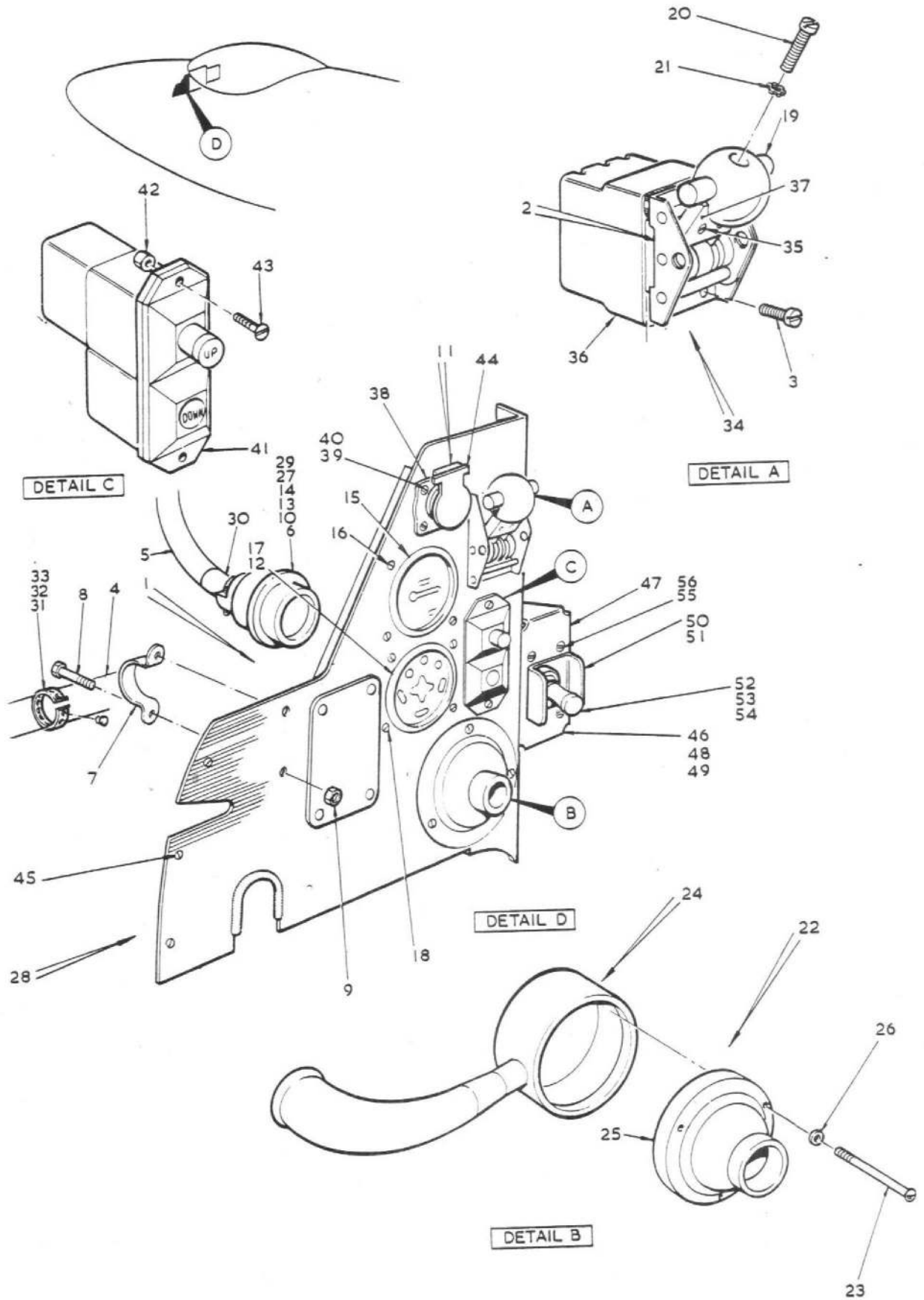
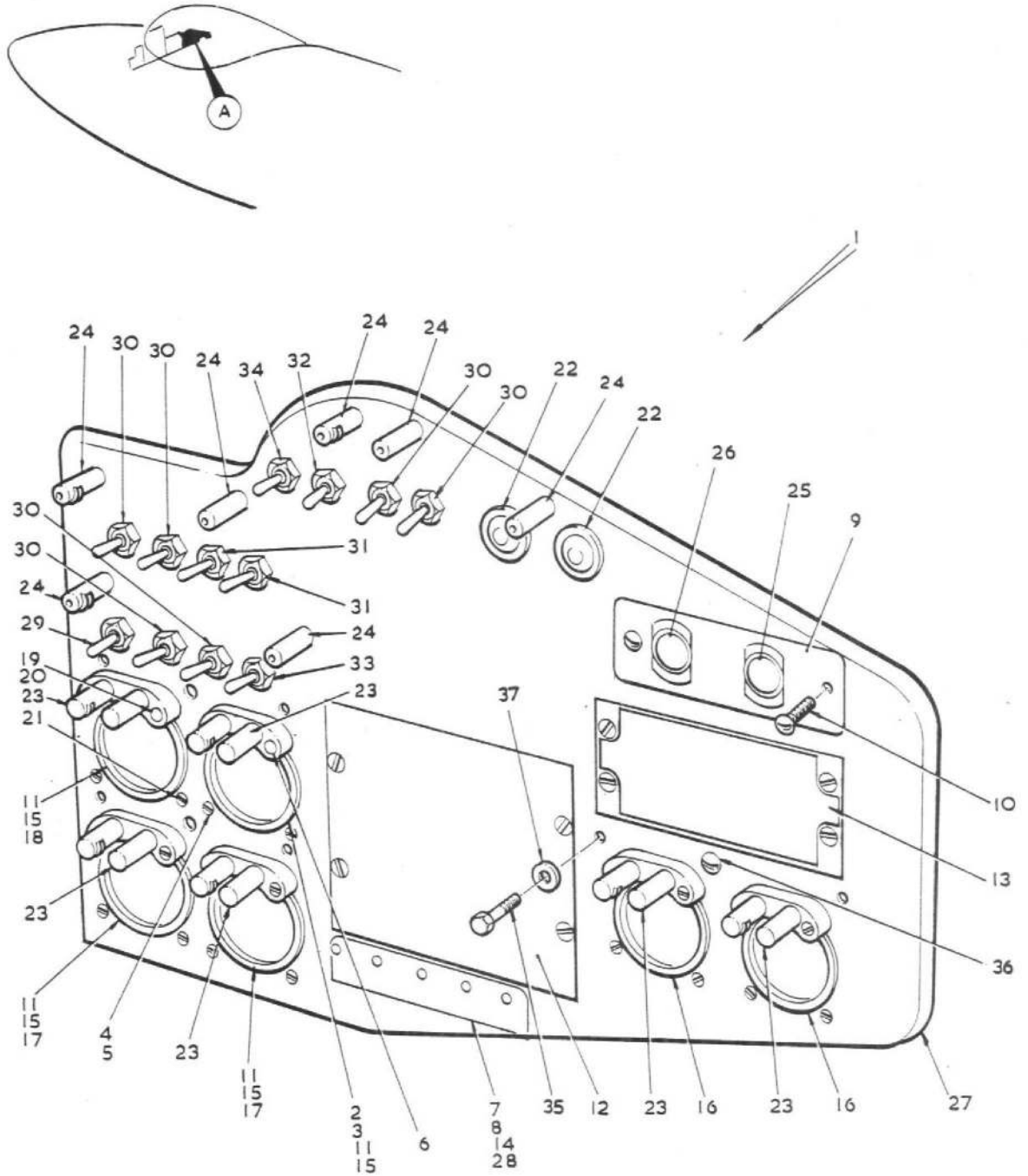


FIG 10 PRESSURE CABIN EQUIPMENT



DETAIL A

FIG 11 PRESSURE CABIN EQUIPMENT

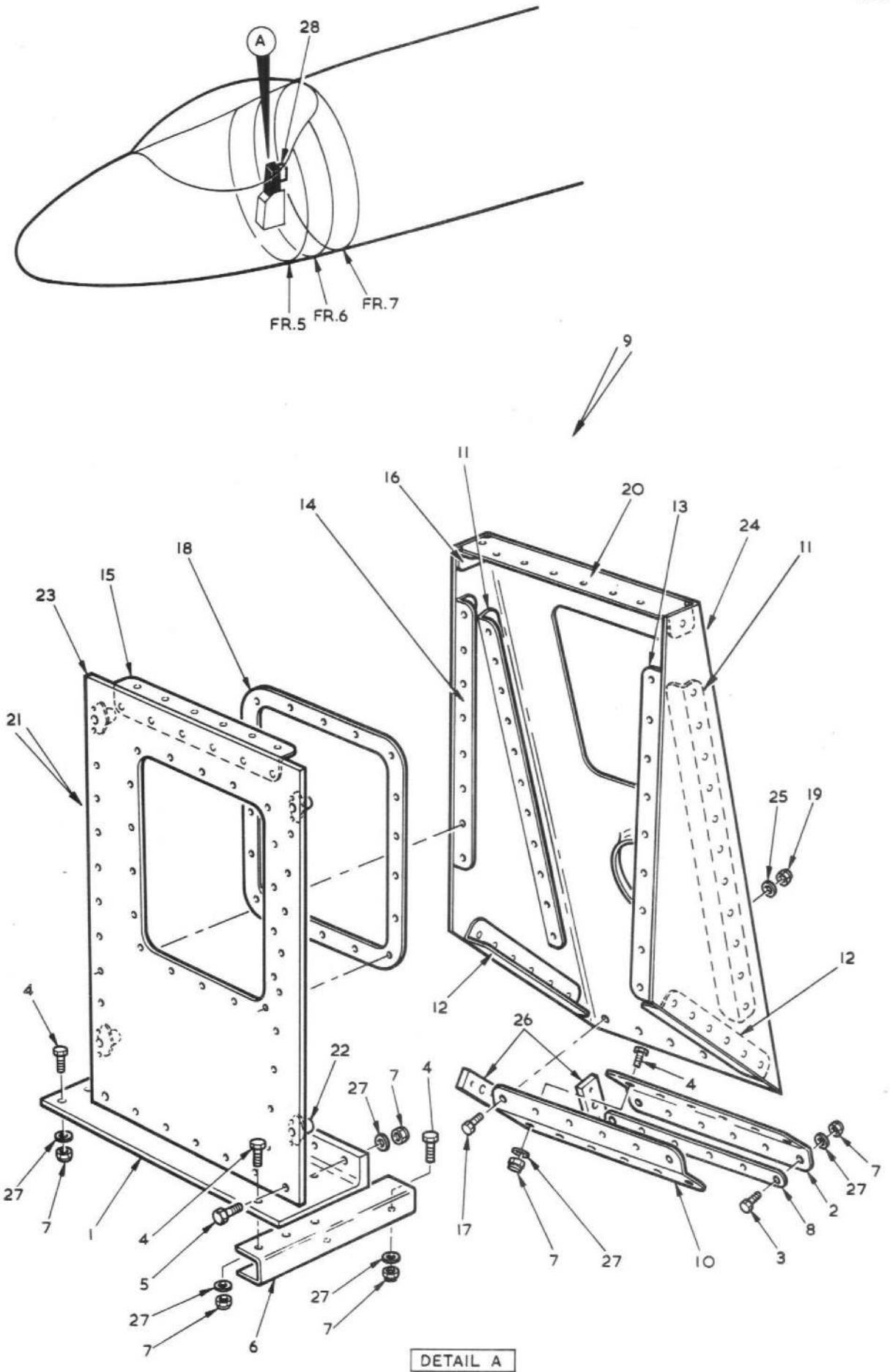
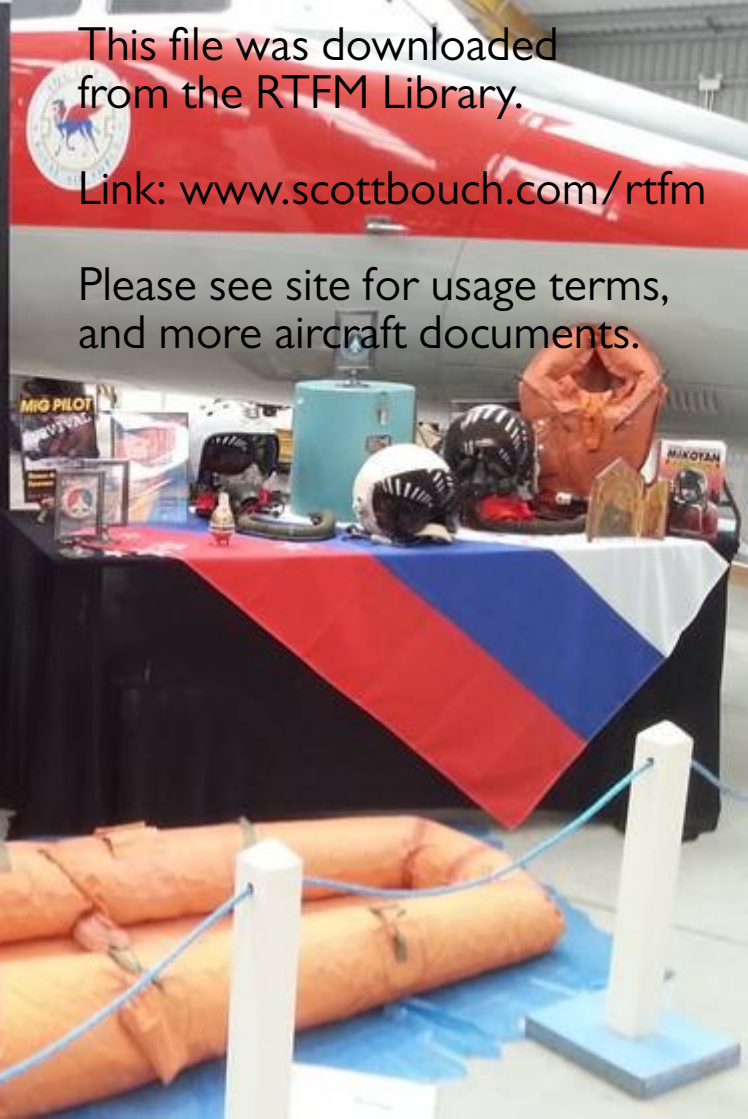


FIG.12 CABIN PRESSURE EQUIPMENT



This file was downloaded from the RTFM Library.

Link: [www.scottbouch.com/rtfm](http://www.scottbouch.com/rtfm)

Please see site for usage terms, and more aircraft documents.