

## FUSELAGE

## CENTRE FUSELAGE

Part Number	Description						No. Off	Mati. Spec.	Plate No.
	1	2	3	4	5	6			
EB7.00.43							—	—	
EB7.00.5301							—	—	
EA2.75.567							—	—	
EB7.75.7							—	—	
EB7.75.9							—	—	
EA2.75.523							—	—	
EA2.45.529							—	—	
EA2.47.5							—	—	
EA2.83.19							—	—	
EB7.81.7							—	—	
EB7.60.1							—	—	
EA2.57.499							—	—	
EA2.57.67							—	—	
EA2.45.221							—	—	
EA2.45.635							1	—	KA1/1
EA2.45.593A							1	CW2/24	KA1/2
SP8Y13							2	—	KA1/3
AGS899/1							1	—	KA1/12A
SP4Y/A4							1	—	KA1/12B
SP90C6							1	—	KA1/12C
EA2.45.219							1	—	KA1/4
EA2.45.219A							1	6W2/4	KA1/5
SP8Y13							2	—	KA1/6
AGS899/1							1	—	KA1/12A
SP4Y/A4							1	—	KA1/12B
SP90C6							1	—	KA1/12C
EA2.45.637							1	—	KA1/7
EA2.45.637/A							1	6W2/4	KA1/8
SP8Y13							1	—	KA1/9
EA1.45.1129							1	S1	KA1/10
AGS899/1							1	—	KA1/12A
AGS899/2							1	—	KA1/10A
SP4Y/A4							1	—	KA1/12B
SP4Y/B5							1	—	KA1/10B
SP90C6							2	—	KA1/12X
EA2.45.639							1	—	KA1/11
EA2.45.639A							1	6W2/4	KA1/12
SP8Y13							2	—	KA1/13
AGS899/1							1	—	KA1/12A
SP4Y/A4							1	—	KA1/12B
SP90C5							1	—	KA1/12C

FUSELAGE  
CENTRE FUSELAGE

Part Number	1 2 3 4 5 6	Description	No. Off	Matl. Spec.	Plate No.
EA1.45.881	. .	FAIRLEAD, at frames 12A, 13, 14, 15, 16, 17, 18, 19 and 20 Attaching parts for EA1.45.881:-	9	-	KA1/23
A25/5C	. .	Bolt, 2BA	2	-	KA1/24
AGS2001C1/66	. .	Nut, 2BA	2	-	KA1/25
EA2.45.653	. .	FAIRLEAD, at frames 21A and 21B Attaching parts for EA2.45.653:-	2	-	KA1/26
A25/4C	. .	Bolt, 2BA	2	-	KA1/27
AGS2002C1	. .	Nut, 2BA	2	-	KA1/28
EA1.45.1121	. .	FAIRLEAD, on frame 12A Attaching parts for EA1.45.1121:-	1	-	KA1/29
A25/6B	. .	Bolt, 4BA	2	-	KA1/30
AGS2001B1	. .	Nut, 4BA	2	-	KA1/31
SP13B	. .	Washer (under bolt head)	2	-	KA1/32
SP3Y412	. .	FORK, end	2	-	KA1/18
SP3Y412L	. .	FORK, end	2	-	KA1/19
A54B	. .	NUT, locking	2	-	KA1/20
A148BBL	. .	NUT, locking	2	-	KA1/21
EA2.45.651	. .	PLATE, divider, between frames 12 and 12A Attaching parts for EA2.45.651:-	1	-	KA1/33
AGS2002B1	. .	Nut, 4BA	2	-	KA1/34
A31B8	. .	Screw, 4BA	2	-	KA1/35
AS1151	. .	PULLEY, c/w shroud Attaching parts for AS1151:-	1	-	KA1/14
A25/7E	. .	Bolt, ¼" BSF	1	-	KA1/14A
AGS2001E1/66	. .	Nut, ¼" BSF	1	-	KA1/14B
SP15E	. .	Washer, ¼"	1	-	KA1/14C
AS1151	. .	PULLEY, c/w shroud Attaching parts for AS1151:-	1	-	KA1/15
A25/8E	. .	Bolt, ¼" BSF	1	-	KA1/15A
AGS2001E1/66	. .	Nut, ¼" BSF	1	-	KA1/15B
SP16E	. .	Washer	1	-	KA1/15C
AS1151	. .	PULLEY, c/w shroud Attaching parts for AS1151:-	1	-	KA1/16
A25/17E	. .	Bolt, ¼" BSF	1	-	KA1/16A
AGS2001E1/66	. .	Nut, ¼" BSF	1	-	KA1/16B
SP16E	. .	Washer	1	-	KA1/16C
AS108 or AS1152	. .	PULLEY, double, c/w shroud  Attaching parts for AS108 or AS1152:-	1	-	KA1/17
A25/11E	. .	Bolt, ¼" BSF	1	-	KA1/17A
AGS2001E1/66	. .	Nut, ¼" BSF	1	-	KA1/17B
SP16E	. .	Washer	1	-	KA1/17C
EA1.45.1127	. .	RETAINER, cable at frames 12 and 12A Attaching parts for EA1.45.1127:-	2	-	KA1/36
AGS2002B1	. .	Nut, 4BA	1	-	KA1/37
A31B8	. .	Screw, 4BA	1	-	KA1/38
SP8Y1	. .	ROD, tension	2	-	KA1/22

AP101B-0407-3A

FUSELAGE  
CENTRE FUSELAGE

Part Number	Description	No. Off	Mati. Spec.	Plate No.
EB7.73.5 EB7.75.17	. HYDRAULIC EQUIPMENT (See Sect. SH) . PIPES, COLD AIR UNIT, ACROSS TANK BAY, AT FRAME 21, ASSEMBLY (See Sect. SB)	-	-	
EA2.80.341	. PIPES PITOT AND STATIC, ASSEMBLY (See Sect. SK)	-	-	
EB7.82.7 EA2.56.357	. RADIO AND INTER-COMM (See Sect. RD) . VENTRAL TANK TO FUSELAGE, ASSEMBLY (See Sect. UB)	-	-	
R EB7.11.1	STRUCTURE, CENTRE FUSELAGE, ASSEMBLY (Mod 5439) Spares for:-	-	-	
EA2.83.615	. ASSEMBLY OF HAND HOLDS AND FOOT RESTS IN FORWARD CAMERA BAY Spares for:-	-	-	
EA2.83.627	. . . BRACKET, clip, R.H.	1	-	KA2/1
EA2.83.628	. . . BRACKET, clip, L.H.	1	-	
AS2294-1	. . . CLIP, spring	2	-	KA2/2
EA2.83.617	. . . FOOT-REST, c/w hinge	2	-	KA2/3
EA2.83.1347	. . . FOOT-REST, c/w hinge	1	-	KA2/4
EA2.83.623	. . . HAND-HOLD	1	-	KA2/5
EA2.83.625	. . . LUG, hand-hold mounting	2	EEDX88	KA2/6
EA3.11.677	. BOLT, special (Make from A25-4C)	10	-	KA2/7
EA2.11.1947	. BULKHEAD, rear, fuel tank (Pre Mod 517)	1	-	
EA2.11.2737	. BULKHEAD, rear, fuel tank (Mod 517)	1	-	KA2/8
EB7.83.3	. CAMERA BAY, FORWARD, ASSEMBLY Spares for:-	-	-	
EA2.11.1359	. . . DOOR, ACCESS, ASSEMBLY	1	-	KA2/9
EB7.11.5565	. . . DOOR, ACCESS, ASSEMBLY (MOD 4354-S.O.O.) Spares for:-	1	-	
EB7.82.5629	. . . . BRACKET, strap, anchorage (Mod 4354)	4	-	
EA2.11.1369	. . . . BUSH	10	DTD683	KA2/10
EA2.11.1439	. . . . BUSH	2	DTD683	KA2/11
EA2.11.1363	. . . . LINK	1	DTD683	KA2/12
EA2.11.1365	. . . . LINK, c/w fork-end	4	-	KA2/13
AS2843P	. . . . LOCK, door, R.H. Spares for:-	2	-	KA2/14
FGS50 or FFE4	. . . . KEY	1	-	
EA2.11.2297	. . . . PLATE, access	2	L72	KA2/15
EA2.11.1361	. . . . PLUNGER	5	S11	KA2/16
EA2.11.1367	. . . . ROD	1	S11	KA2/17
EA2.11.2047	. . . . SEAL, linatex 19.30" long	2	120F	
EA2.11.2049	. . . . SEAL, linatex 35.50" long	2	120F	
EB7.82.5633	. . . . STRAP, support, assembly, forward (Mod 4354)	1	-	
EB7.82.5635	. . . . STRAP, support, assembly, rear (Mod 4354) Attaching parts for EB7.82.5633 and EB7.82.5635:-	1	-	
A25-11E	. . . . Bolt, 1-4" BSF	1	-	
AGS2001E1-66	. . . . Nut, 1-4" BSF	1	-	
AGS2105-411	. . . . Pin, "Pip"	1	-	
SP13E	. . . . Washer	1	-	
EA2.83.203	. . FAIRING, CAMERA HATCH, PORT, ASSEMBLY (Supplied to Part No. EA2.00.107 drilled and with 0.1" trim allowance) Spares for:-	1	-	
EA2.83.229	. . . . DOOR, SLIDING FORWARD CAMERA BAY PORT, ASSEMBLY Spares for:-	2	-	KA2/18
SKEFCO CBA0	. . . . BEARING	4	-	KA2/19
EA2.83.253	. . . . BOLT, special	4	S11	KA2/20
EA2.83.139	. . . . BRACKET, roller	4	L40	KA2/21
EA2.83.153	. . . . PIN, roller	4	S11	KA2/22
EA2.83.151	. . . . ROLLER	4	S11	KA2/23
EA2.83.145	. . . . SHIM	4	DTD126	KA2/24
EA2.83.155	. . . . SHIM	8	DTD126	KA2/25

FUSELAGE  
CENTRE FUSELAGE STRUCTURE

Part Number	Description						No. Off	Mati. Spec.	Plate No.
	1	2	3	4	5	6			
EA2.83.230	.	.	.	.	.	DOOR SLIDING, AFT CAMERA BAY, ASSEMBLY	2	-	KA2/26
						Spares for:-			
SKEFCO CBA0	.	.	.	.	.	BEARING	4	-	KA2/19
EA2.83.253	.	.	.	.	.	BOLT, special	4	S11	KA2/20
EA2.83.139	.	.	.	.	.	BRACKET, roller	4	L40	KA2/21
EA2.83.153	.	.	.	.	.	PIN, roller	4	S11	KA2/22
EA2.83.151	.	.	.	.	.	ROLLER	4	S11	KA2/23
EA2.83.145	.	.	.	.	.	SHIM	4	DTD126	KA2/24
EA2.83.155	.	.	.	.	.	SHIM	8	DTD126	KA2/25
EA2.83.267	.	.	.	.	.	PIECE, bridge, fwd. camera bay doors	1	Z.5Z	KA2/27
EA2.83.195	.	.	.	.	.	RING, packing, camera window	4	Plywood	KA2/28
EA2.83.1123	.	.	.	.	.	RING, retaining, camera window	2	L72	KA2/29
EA2.83.1125	.	.	.	.	.	RING, sealing, camera window	2	Sponge Rubber	KA2/30
EA2.83.1127	.	.	.	.	.	RING, sealing, camera window	2	Rubber	KA2/31
EEAS1/3C	.	.	.	.	.	SCREW, 2BA	16	-	KA2/32
EEAS1/6C	.	.	.	.	.	SCREW, 2BA	16	-	KA2/33
EA2.83.189	.	.	.	.	.	WINDOW, camera	2	Glass	KA2/34
EA2.83.204	.	.	.	.	.	FAIRING, CAMERA HATCH, STARBOARD, ASSEMBLY (Supplied to Part No. EA2.00.108 drilled and with 0.1" trim allowance)	1	-	
						Spares for:-			
EA2.83.229	.	.	.	.	.	DOOR, SLIDING, FORWARD CAMERA BAY ASSEMBLY	2	-	KA2/18
						Spares for:-			
SKEFCO CBA.0	.	.	.	.	.	BEARING	4	-	KA2/19
EA2.83.253	.	.	.	.	.	BOLT, special	4	S11	KA2/20
EA2.83.139	.	.	.	.	.	BRACKET, roller	4	L40	KA2/21
EA2.83.153	.	.	.	.	.	PIN, roller	4	S11	KA2/22
EA2.83.151	.	.	.	.	.	ROLLER	4	S11	KA2/23
EA2.83.145	.	.	.	.	.	SHIM	4	DTD126	KA2/24
EA2.83.155	.	.	.	.	.	SHIM	8	DTD126	KA2/25
EA2.83.230	.	.	.	.	.	DOOR, SLIDING, AFT CAMERA BAY, ASSEMBLY	2	-	KA2/26
						Spares for:-			
SKEFCO CBA.0	.	.	.	.	.	BEARING	4	-	KA2/19
EA2.83.253	.	.	.	.	.	BOLT, special	4	S11	KA2/20
EA2.83.139	.	.	.	.	.	BRACKET, roller	4	L40	KA2/21
EA2.83.153	.	.	.	.	.	PIN, roller	4	S11	KA2/22
EA2.83.151	.	.	.	.	.	ROLLER	4	S11	KA2/23
EA2.83.145	.	.	.	.	.	SHIM	4	DTD126	KA2/24
EA2.83.155	.	.	.	.	.	SHIM	8	DTD126	KA2/25
EA2.83.267	.	.	.	.	.	PIECE, bridge, fwd. camera bay doors	1	Z.5Z	KA2/27
EA2.83.195	.	.	.	.	.	RING, packing	4	Plywood	KA2/28
EA2.83.1123	.	.	.	.	.	RING, retaining	2	L72	KA2/29
EA2.83.1125	.	.	.	.	.	RING, sealing	2	Sponge Rubber	KA2/30
EA2.83.1127	.	.	.	.	.	RING, sealing, camera window	2	Rubber	KA2/31
EEAS1/3C	.	.	.	.	.	SCREW	16	-	KA2/32
EEAS1-6C	.	.	.	.	.	SCREW	16	-	KA2/33
EA2.83.189	.	.	.	.	.	WINDOW, camera	2	Glass	KA2/34
EA2.83.803	.	.	.	.	.	LABEL, camera instruction	1	L16	KA2/35
AVDEL A411	.	.	.	.	.	PIN "pip", quick release	2	-	KA2/36
AVDEL A413	.	.	.	.	.	PIN, "pip", quick release	2	-	KA2/37

## CENTRE SECTION FUSELAGE

Part Number	Description	No. Off						Matl. Spec.	Plate No.
		1	2	3	4	5	6		
EB7.83.5261	. . . RAIL, camera, port, frame 12A (Mod 3821)						1	—	
EB7.83.5259	. . . RAIL, camera, starboard, frame 12A (Mod 3821)						1	—	KA2/38
EA2.83.791	. . . RAIL, camera, port, frame 12A						1	—	
EA2.83.792	. . . RAIL, camera, starboard, frame 12A						1	—	
EB7.83.5263	. . . RAIL, camera, port, frame 12 (Mod 3821)						1	—	KA2/39
EB7.83.5265	. . . RAIL, camera, starboard, frame 12 (Mod 3821)						1	—	
EA2.83.795	. . . RAIL, camera, port, frame 13						1	—	KA2/40
EA2.83.796	. . . RAIL, camera, starboard frame 13						1	—	
EEAS1/1C	. . . SCREW, 2BA						46	—	KA2/41
EEAS1/2C	. . . SCREW, 2BA						46	—	KA2/42
EA2.11.3415	. . . STRAP, SUSPENSION AND BONDING, CAMERA DOOR, INSTALLATION (MOD 3806) Spares for:—						—	—	KA2/46
BS4F35	. . . . CORD						QR	—	
AS3360B18C	. . . . LEAD, bonding						2	—	
AGS2002C4	. . . . NUT, 2BA						2	—	
AGS2002B4	. . . . NUT, 4BA						2	—	
A44B16	. . . . SCREW, 4BA						2	—	
EA2.11.3417	. . . . STRAP, assembly, suspension						2	—	
SP26C	. . . . WASHER						6	—	
SP26B	. . . . WASHER						4	—	
EB7.83.13	. . . SUPPORT, camera, port						1	—	KA2/43
EA2.83.278	. . . SUPPORT, camera, starboard						1	—	KA2/44
EA2.83.787	. . . SUPPORT, camera, vertical						2	—	KA2/45
EA2.11.19	. . . DOOR, FLARE, PORT, ASSEMBLY (PRE-MOD 2718)						1	—	
EB7.00.5121	. . . DOOR, FLARE, PORT, ASSEMBLY (MOD 2718—S.O.O.) (Supplied to Drg. EB7.11.5003) less EB7.82.5349 (Aerial assembly) and D53—QA (Fibreglass dielectric panel assembly) Spares for:—						1	—	
EA2.11.2865	. . . BRACKET, FLARE DOOR HINGE, ASSEMBLY Spares for:—						1	—	KA3/1
EA2.00.83	. . . . BEARING, spherical, flare door hinge (Consisting of EA2.11.1045 and EA2.11.1049 wired together)						1	—	KA3/2
EA2.00.85	. . . . BEARING, spherical, flare door hinge (Consisting of EA2.11.1043 and EA2.11.1047 wired together)						1	—	KA3/3
EA2.11.2867	. . . BRACKET, FLARE DOOR HINGE, ASSEMBLY Spares for:—						1	—	KA3/4
EA2.00.83	. . . . BEARING, spherical, flare door hinge (Consisting of EA2.11.1045 and EA2.11.1049 wired together)						1	—	KA3/3
EA2.00.85	. . . . BEARING, spherical, flare door hinge (Consisting of EA2.11.1043 and EA2.11.1047 wired together)						1	—	KA3/2
EB7.11.111	. . . BRACKET, DOOR, ROLLER GUIDE, ASSEMBLY Spares for:—						1	—	KA3/5
EB7.11.263	. . . . BOLT, special, c/w lubricating nipple						1	—	KA3/6
EB7.11.135	. . . . PLATE, locking, assembly						1	—	KA3/7
EB7.11.129	. . . . ROLLER						1	L65	KA3/8
EB7.11.131	. . . . SLEEVE, eccentric						1	S82	KA3/9

FUSELAGE  
CENTRE FUSELAGE STRUCTURE

Part Number	1 2 3 4 5 6	Description	No. Off	Mati. Spec.	Plate No.
EB7.11.113	. . .	BRACKET, DOOR, ROLLER GUIDE, ASSEMBLY Spares for:—	1	—	KA3/10
EB7.11.263	. . .	BOLT, special, c/w lubricating nipple	1	—	KA3/6
EB7.11.135	. . .	PLATE, locking, assembly	1	—	KA3/7
EB7.11.129	. . .	ROLLER	1	L65	KA3/8
EB7.11.131	. . .	SLEEVE, eccentric	1	S82	KA3/9
EB7.11.115	. . .	BRACKET, DOOR, ROLLER GUIDE, ASSEMBLY Spares for:—	1	—	KA3/11
EB7.11.263	. . .	BOLT, special, c/w lubricating nipple	1	—	KA3/6
EB7.11.135	. . .	PLATE, locking assembly	1	—	KA3/7
EB7.11.129	. . .	ROLLER	1	L65	KA3/8
EB7.11.131	. . .	SLEEVE, eccentric	1	S82	KA3/9
EA2.11.957	. . .	CONNECTION, stay	1	—	KA3/12
EA2.11.951	. . .	EYE-BOLT	2	—	KA3/13
EB7.82.5515	. . .	MOUNTING, DECCA AERIAL AND AMPLIFIER INSTALLATION (MOD 2718—S.O.O.) Spares for:—	—	—	
EB7.82.5349	. . .	AERIAL TYPE D9203-K, ASSEMBLY Spares for:—	1	—	
D9203/K	. . .	AERIAL Attaching parts for EB7.82.5349:—	1	—	
EB7.82.5299	. . .	Plate, profile	1	—	
EEAS1/3C	. . .	Screw, 2BA	29	—	
EB7.82.5359	. . .	Seal, rubber	2	—	
EB7.82.5361	. . .	Seal, rubber	2	—	
AS2811-5-022	. . .	Tube, distance, 17 SWG	29	T4	
EB7.82.5303	. . .	BLOCK, spacing	1	—	
EB7.82.5333	. . .	FAIRLEAD, half Attaching parts for EB7.82.5333 (Per pair):—	2	—	
A33B20	. . .	Screw, 4BA	4	—	
EB7.82.5233	. . .	PANEL, access, assembly Attaching parts for EB7.82.5233:—	1	—	
EEAS1/1C	. . .	Screw, 2BA	10	—	
EB7.82.5395	. . .	Seal, rubber	1	—	
D53QA	. . .	PANEL, dielectric, assembly	1	—	
EA2.11.901	. . .	RIB, No. 1, ASSEMBLY	1	—	
EA2.11.900	. . .	RIB, No. 2, ASSEMBLY Spares for:—	1	—	
EA2.11.987	. . .	LUG	1	—	
EA2.11.929	. . .	RIB, No. 16 AND 17, ASSEMBLY Spares for:—	2	—	
EA2.11.987	. . .	LUG	1	—	
R EA2.11.2243	. . .	SEAL, 11'6" long (Pre Mod 5282)	1	Synthetic Rubber	KA3/14
R EA2.11.3469	. . .	SEAL, "P" (Make from Ref 6147756) (Mod 5282)	1	Neoprene DTD5514	
R EA2.11.2245	. . .	SEAL, 7" long (Pre Mod 5282)	1	Synthetic Rubber	KA3/15
R EA2.11.3471	. . .	SEAL, "P" (Make from Ref 6147757) (Mod 5282)	1	Neoprene DTD5514	
R EA2.11.2655	. . .	SEAL, 5 $\frac{3}{4}$ " long (Pre Mod 5282)	1	Synthetic Rubber	KA3/16
R EA2.11.3473	. . .	SEAL, "P" (Make from Ref 6147757) (Mod 5282)	1	Neoprene DTD5514	
EA2.11.2521	. . .	SHIM, flare door, aft hinge	1	Laminated Alum.	KA3/17
EA2.11.2523	. . .	SHIM, flare door, aft hinge	1	Laminated Alum.	KA3/18
EA2.11.961	. . .	STAY, main hinge support	1	—	KA3/19
EA2.11.963	. . .	STAY, main hinge support	1	—	KA3/20

FUSELAGE  
CENTRE FUSELAGE STRUCTURE

Part Number	Description	No. Off	Matl. Spec.	Plate No.
EA2.11.20	. DOOR, FLARE, STARBOARD, ASSEMBLY Spares for:-	1	-	
EA2.11.2866	. . BRACKET, FLARE DOOR HINGE, ASSEMBLY Spares for:-	1	-	KA3/21
EA2.00.83	. . . BEARING, spherical, flare door hinge (Consisting of EA2.11.1045 and EA2.11.1049 wired together)	1	-	KA3/2
EA2.00.85	. . . BEARING, spherical,, flare door hinge (Consisting of EA2.11.1043 and EA2.11.1047 wired together)	1	-	KA3/3
EA2.11.2867	. . BRACKET, FLARE DOOR HINGE, ASSEMBLY Spares for:-	1	-	KA3/4
EA2.00.83	. . . BEARING, spherical, flare door hinge (Consisting of EA2.11.1045 and EA2.11.1049 wired together)	1	-	KA3/2
EA2.00.85	. . . BEARING, spherical, flare door hinge (Consisting of EA2.11.1043 and EA2.11.1047 wired together)	1	-	KA3/3
EB7.11.111	. . BRACKET, DOOR, ROLLER GUIDE, ASSEMBLY Spares for:-	1	-	KA3/5
EB7.11.263	. . . BOLT, special, c/w lubricating nipple	1	-	KA3/6
EB7.11.135	. . . PLATE, locking, assembly	1	-	KA3/7
EB7.11.129	. . . ROLLER	1	L65	KA3/8
EB7.11.131	. . . SLEEVE, eccentric	1	S82	KA3/9
EB7.11.113	. . BRACKET, DOOR ROLLER GUIDE, ASSEMBLY Spares for:-	1	-	KA3/10
EB7.11.263	. . . BOLT, special, c/w lubricating nipple	1	-	KA3/6
EB7.11.135	. . . PLATE, locking, assembly	1	-	KA3/7
EB7.11.129	. . . ROLLER	1	L65	KA3/8
EB7.11.131	. . . SLEEVE, eccentric	1	S82	KA3/9
EB7.11.115	. . BRACKET, DOOR ROLLER GUIDE, ASSEMBLY Spares for:-	1	-	KA3/11
EB7.11.263	. . . BOLT, special, c/w lubricating nipple	1	-	KA3/6
EB7.11.135	. . . PLATE, locking, assembly	1	-	KA3/7
EB7.11.129	. . . ROLLER	1	L65	KA3/8
EB7.11.131	. . . SLEEVE, eccentric	1	S82	KA3/9
EA2.11.957	. . CONNECTION, stay	1	DTD683	KA3/12
EA2.11.951	. . EYE-BOLT	2	DTD683	KA3/13
EA2.11.2243	. . SEAL, 11'6" long (Pre Mod 5282)	1	Synthetic Rubber	KA3/14
EA2.11.3469	. . SEAL, "P" (Make from Ref 6147756) (Mod 5282)	1	Neoprene DTD5514	
EA2.11.2245	. . SEAL, 7" long (Pre Mod 5282)	1	Synthetic Rubber	KA3/15
EA2.11.3471	. . SEAL, "P" (Make from Ref 6147757) (Mod 5282)	1	Neoprene DTD5514	
EA2.11.2655	. . SEAL, 5-3-4" long (Pre Mod 5282)	1	Synthetic Rubber	KA3/16
EA2.11.3473	. . SEAL, "P" (Make from Ref 6147757) (Mod 5282)	1	Neoprene DTD5514	
EA2.11.2521	. . SHIM, flare door, aft hinge	1	Laminated Alum	KA3/17
EA2.11.2523	. . SHIM, flare door, forward hinge	1	Laminated Alum	KA3/18
EA2.11.961	. . STAY, main hinge support	1	-	KA3/19
EA2.11.963	. . STAY, main hinge support	1	-	KA3/20

FUSELAGE  
CENTRE FUSELAGE STRUCTURE

Part Number	1 2 3 4 5 6	Description	No. Off	Matl. Spec.	Plate No.
R EB7.87.1		. EQUIPMENT, TARGET TOWING (MOD 5439) Spares for:—	—	—	
R EG9.87.301		. . BRACKET, sealing assembly Spares for:—	1	—	KA5/1
R EG9.87.303		. . . BRACKET, sealing	1	L151. 18 SWG	KA5/2
R AGS2007/C/1		. . . NUT, anchor Attaching parts for EG9.87.301:—	4	—	KA5/3
R AS1242/2/C		. . Bolt, 2BA, csk head	4	—	KA5/4
R AS2920/2/C		. . Bolt, 2BA, csk			
R A25/2C		. . Bolt, 2BA, hex head (The above bolts are alternatives depending on clearance of flare bay doors)			
R EB7.87.5		. . CHANNEL, stiffening Attaching parts for EB7.87.5:—	1	LC5	KA5/5
R AS1242/4/G		. . Bolt, $\frac{5}{16}$ " csk head	8	—	KA5/6
R AS2920/4/G		. . Bolt, $\frac{5}{16}$ " csk head			
R A25/4G		. . Bolt, $\frac{5}{16}$ " hex head (The above bolts are alternatives depending on clearance of flare bay doors)			
R A25/2E		. . Bolt, $\frac{1}{4}$ " BSF	6	—	KA5/7
R A25/5G		. . Bolt, $\frac{5}{16}$ " BSF	4	—	KA5/8
R A25/4G		. . Bolt, $\frac{5}{16}$ " BSF	6	—	KA5/9
R A58/GS		. . Nut, $\frac{5}{16}$ " BSF	18	—	KA5/10
R SP90/C6		. . Pin, split	18	—	KA5/11
R SP124/E		. . Washer, $\frac{1}{4}$ "	6	—	KA5/12
R SP124/G		. . Washer, $\frac{5}{16}$ "	18	—	KA5/13
R EG9.87.295		. . LUG, bracing attachment, lower assembly Spares for:—	1	—	KA5/14
R EG9.87.299		. . . BUSH	1	S92	KA5/15
R EG9.87.297		. . . LUG, bracing	1	—	KA5/16
R EG9.87.325		. . LUG, bracing attachment, upper assembly Spares for:—	1	—	KA5/17
R EG9.87.299		. . . BUSH	1	S92	KA5/18
R EG9.87.327		. . . LUG, bracing Attaching parts for EG9.87.325:—	1	L65	KA5/19
R A25/10E		. . Bolt, $\frac{1}{4}$ " BSF	4	—	KA5/20
R A25/9E		. . Bolt, $\frac{1}{4}$ " BSF	4	—	KA5/21
R A58/ES		. . Nut, $\frac{1}{4}$ " BSF	8	—	KA5/22
R SP90/C6		. . Pin, split	8	—	KA5/23
R SP124/E		. . Washer, $\frac{1}{4}$ "	8	—	KA5/24

## FUSELAGE

## CENTRE FUSELAGE STRUCTURE

Part Number	Description	1 2 3 4 5 6						No. Off	Matl. Spec.	Plate No.
R EB7.87.27	. . . MODIFICATIONS to flare bay door port							—	—	KA6/1
R EB7.87.28	. . . MODIFICATIONS to flare bay door starboard							—	—	KA6/2
	Spares for:—									
R EB7.87.37	. . . BRACKET, support, port							1	L165.16 SWG	KA6/3
R EB7.87.38	. . . BRACKET, support, starboard							1	L165.16 SWG	KA6/4
R EB7.87.39	. . . CLEAT, rib 15, port							1	L165.16 SWG	KA6/5
R EB7.87.40	. . . CLEAT, rib 15, starboard							1	L165.16 SWG	KA6/6
R EB7.87.41	. . . CLEAT, rib 16, port							1	L165.16 SWG	KA6/7
R EB7.87.42	. . . CLEAT, rib 16, starboard							1	L165.16 SWG	KA6/8
R EB7.87.43	. . . CLEAT, rib 17, port							1	L165.16 SWG	KA6/9
R EB7.87.44	. . . CLEAT, rib 17, starboard							1	L165.16 SWG	KA6/10
R EB7.87.29	. . . DOUBLER, external, port							1	L165.18 SWG	KA6/11
R EB7.87.30	. . . DOUBLER, external, starboard							1	L165.18 SWG	KA6/12
R EG9.87.305	. . . FAIRING, release unit, port							1	S510.18 SWG	KA6/13
R EG9.87.306	. . . FAIRING, release unit, starboard							1	S510.18 SWG	KA6/14
R EB7.87.31	. . . INSERT, port							1	L165.20 SWG	KA6/15
R EB7.87.32	. . . INSERT, starboard							1	L165.20 SWG	KA6/16
R EB7.87.33	. . . MEMBER, edge, port							1	L165.16 SWG	KA6/17
R EB7.87.34	. . . MEMBER, edge, starboard							1	L165.16 SWG	KA6/18
R EB7.87.35	. . . MEMBER, edge, port							1	L165.16 SWG	KA6/19
R EB7.87.36	. . . MEMBER, edge, starboard							1	L165.16 SWG	KA6/20
R EB7.87.45	. . . PACKER, tapered, port and starboard 0.15" thick							1	L65	KA6/21
R EB7.87.47	. . . PACKER, port and starboard							1	L165.16 SWG	KA6/22
R EB7.87.49	. . . PACKER, port and starboard							1	L165.16 SWG	KA6/23
R EB7.87.51	. . . SEAL, port and starboard $\frac{1}{8}$ " x 1.4" x 6.8"							1	DTD5514A GRADE 'B' or 'C'	KA6/24
R EG9.87.309	. . . SEAL, fairing, port and starboard $\frac{1}{8}$ " x 0.6" x 5.3"							1	DTD5514A GRADE 'B' or 'C'	KA6/25
R EB7.87.53	. . . STRIP, seal retaining port and starboard							1	L165.20 SWG	KA6/26
R EG9.87.345	. . . STRIP, seal backing, port and starboard							1	L152.18 SWG	KA6/27
R EG9.87.321	. . . PIECE, packing							4	L65	KA5/25

## FUSELAGE

## CENTRE FUSELAGE STRUCTURE

Part Number	1 2 3 4 5 6	Description	No. Off	Mati. Spec.	Plate No.
R EB7.87.4		. . . PLATE, side, port	1	L151.6 SWG	KA5/26
R EB7.87.3		. . . PLATE, side, starboard	1	L151.6 SWG	KA5/27
R AS1242/18E		. . . Bolt, 1/4" BSF, csk head	5	-	KA5/28
R or AS2920/18E		. . . Bolt, 1/4" BSF, csk head	-	-	
R or A25/18E		. . . Bolt, 1/4" BSF, hex head (The above bolts are alternatives depending on clearance of flare bay doors)	-	-	
R A58/ES		. . . Nut, 1/4" BSF	5	-	KA5/29
R SP90/C6		. . . Pin, split	5	-	KA5/30
R EG9.87.329		. . . STRENGTHENING of frame 27 Spares for:-	-	-	KA7/1
R EG9.87.347		. . . PLATE, lap, frame 27B	1	L151.14 SWG	KA7/2
R EG9.87.349		. . . PLATE, lap, frame 27A	1	L151.14 SWG	KA7/3
R EG9.87.333		. . . STIFFENER, angle, aft, LH	1	L72.14 SWG	KA7/4
R EG9.87.334		. . . STIFFENER, angle, aft, RH Attaching parts for EG9.87.333 and EG9.87.334:-	1	L72.14 SWG	KA7/5
R A25/2C		. . . Bolt, 2BA	18	-	KA7/6
R A27/CP		. . . Nut, 2BA	18	-	KA7/7
R SP125/D		. . . Washer	18	-	KA7/8
R EG9.87.331		. . . STIFFENER, angle, forward, LH	1	L72.14 SWG	KA7/9
R EG9.87.332		. . . STIFFENER, angle, forward, RH Attaching parts for EG9.87.331 and EG9.87.332:-	1	L72.14 SWG	KA7/10
R A25/2C		. . . Bolt, 2BA	14	-	KA7/11
R A27/CP		. . . Nut, 2BA	14	-	KA7/12
R SP125/D		. . . Washer	14	-	KA7/13
R EG9.87.323		. . . STRIP, packing	2	L65	KA5/31
R EG9.87.337		. . . TUBE, bracing assembly Spares for:-	1	-	KA5/32
R EG9.87.317		. . . FITTING, fork end Attaching parts for EG9.87.317:-	2	S92	KA5/33
R A25/12E		. . . Bolt, 1/4" BSF	1	-	KA5/34
R A58/ES		. . . Nut, 1/4" BSF, slotted	1	-	KA5/35
R SP90/C6		. . . Pin, split	1	-	KA5/36
R AS1905/E9		. . . Washer, saddle	2	-	KA5/37
R EG9.87.319		. . . TUBE, 1 1/4" o/d Attaching parts for EG9.87.337:-	1	T45.14 SWG	KA5/38
R SP113/G/7 1/2		. . . Pin, shear, 5/16"	2	-	KA5/39
R SP90/E4		. . . pin, split	2	-	KA5/40

## FUSELAGE

## CENTRE FUSELAGE STRUCTURE

Part Number	Description	No. Off	Mati. Spec.	Plate No.
R PV1689-50A	. . UNIT, release, type A (3000 LB-Mk. 1) Attaching parts for PV1689-50A:--	1	—	KA5/41
R EG9.87.335 or	. . Bolt, special	1	S96 or S97	KA5/42
R EB7.87.23	. . Bolt, special  (The above bolts are alternatives depending on clearance of flare bay doors)	—	S96 or S97	
R A25/18E	. . Bolt, 1/4" BSF	2	—	KA5/43
R A58/ES	. . Nut, 1/4" BSF	3	—	KA5/44
R SP90/C6	. . Pin, split	3	—	KA5/45
R SP124/E	. . Washer, 1/4"	3	—	KA5/46
R EG9.87.313	. . Washer, spacing, relieved	1	L65	KA5/47
R EG9.87.315	. . Washer, spacing	1	L65	KA5/48

## FUSELAGE

## CENTRE FUSELAGE STRUCTURE

Part Number	1 2 3 4 5 6	Description	No. Off	Mati. Spec.	Plate No.
R EA2.11.5		EXTERNAL SKINNING, ASSEMBLY Spares for:—	—	—	
R EA2.11.1613		ANGLE, landing, wing, port, forward	1	L72	KA4/1
R EA2.11.1614		ANGLE, landing, wing, starboard, forward	1	L72	KA4/2
R EA2.11.1865		ANGLE, landing, wing, port, centre	1	L72	KA4/3
R EA2.11.1867		ANGLE, landing, wing, starboard, centre	1	L72	KA4/4
EA2.11.1595		BRACKET, hinge, u/c door mounting	2	—	KA4/5
EA2.11.1597		BRACKET, hinge, u/c door mounting	2	L73	KA4/6
EA2.11.1599		BRACKET, valve, u/c door mounting	2	—	KA4/7
EA1.11.1023		BRACKET, u/c door jack, mounting, port Attaching parts for EA1.11.1023:—	1	L73	KA4/9
EEAS222/3C		Bolt, 2BA (Make from A25/3C)	4	—	KA4/10
EA1.11.1024		BRACKET, u/c door jack, mounting starboard Attaching parts for EA1.11.1024:—	1	L73	KA4/11
EEAS222/3C		Bolt, 2BA (Make from A25/3C)	4	—	KA4/10
EA2.11.2051		COVER, access, ventral tank filler	1	—	KA4/8
EA1.57.135		FITTING, drain outlet	5	—	KA4/12
EA1.11.1761		FITTING, operating jack anchor Attaching parts for EA1.11.1761:—	1	DTD683	KA4/13
SP4Y/D5		Pin, 1/4" dia x 45" HTS	1	—	KA4/13A
SP90C7		Pin split	1	—	KA4/13B
SP15E		Washer, 1/4" BSF	1	—	KA4/13C
EA2.11.2759		PLATE, cover Attaching parts for EA2.11.2759:—	1	—	KA4/14
EEAS1/1E		Screw, 1/4" BSF	20	—	KA4/14A
EA2.11.1557		PLATE, cover access Attaching parts for EA2.11.1557:—	4	—	KA4/15
EEAS1/1C		Screw, 2BA	20	HTS	KA4/15A
EA2.11.1561		PLATE, cover, filler cap Attaching parts for EA2.11.1561:—	4	—	KA4/16
EEAS1/1C		Screw, 2BA	16	HTS	KA4/16A
EEAS1/1C		SCREW, 2BA	1	HTS	KA4/17
EEAS1/2C		SCREW, 2BA	4	HTS	KA4/18
EA2.11.2237		SEAL, 29" long (Pre—Mod 5282)	2	Synthetic Rubber	KA4/19
EA2.11.3465		SEAL, "P" (Make from Ref. 6147756) (Mod 5282)	2	Neoprene DTD5514	
EA2.11.2239		SEAL, 24" long (Pre—Mod 5282)	2	Synthetic Rubber	
EA2.11.3467		SEAL, "P" (Make from 6147756) (Mod 5282)	2	Neoprene DTD5514	
EA2.11.1727		SEAL, rubber	4	Shore 30	KA4/21
EA2.11.2235		SEAL, 55" long (Pre—Mod 5282)	2	Synthetic Rubber	KA4/22
EA2.11.3463		SEAL, "P" (Make from Ref. 6147756) (Mod 5282)	2	Neoprene DTD5514	
EA2.11.125		SEAL, "P" (Pre—Mod 5282)	1	—	
EA3.11.5199		SEAL, "P" (Make from Ref. 6147756) (Mod 5282)	1	Neoprene DTD5514	
EEAS31/17S		WASHER, packing, 14 SWG	4	DTD687	KA4/23

FUSELAGE  
CENTRE FUSELAGE STRUCTURE

Part Number	Description	1 2 3 4 5 6						No. Off	Mati. Spec.	Plate No.
EA2.11.15	. . . SKIRT, FLARE DOOR ASSEMBLY, PORT Spares for:—							—	—	
EA2.11.2947	. . . BLOCK, fairing, fwd, port							1	—	
EA2.11.2945	. . . BLOCK, fairing, aft, port Attaching parts for EA2.11.2947 and EA2.11.2945:—							1	—	
AS2920/2B	. . . Bolt, 2BA, csk head							9	—	
AS2920/5B	. . . Bolt, 2BA, csk head							3	—	
AS2920/7B	. . . Bolt, 2BA, csk head							5	—	
EA2.11.3039	. . . SEAL, "P" (make from Ref 4431) (Pre Mod 5282)							1	—	
EA2.11.3475	. . . SEAL, "P" (Make from Ref 6147756) (Mod 5282) Attaching parts for EA2.11.3039 or EA2.11.3475:—							1	—	
AS1242/1B	. . . Bolt, 4BA, csk head							95	—	
AGS2002B1	. . . Nut, stiff, 4BA							95	—	
EA2.11.1601	. . . Strip, retaining, frames 21-24							1	L72	
EA2.11.2447	. . . Strip, retaining, frames 24-28							1	L72	
EA2.11.1137	. . . Strip, retaining, frames 28-29							1	L72	
EA2.11.16	. . SKIRT, FLARE DOOR ASSEMBLY, STARBOARD Spares for:—							—	—	
EA2.11.2948	. . . BLOCK, fairing, fwd, starboard							1	—	
EA2.11.2946	. . . BLOCK, fairing, aft, starboard Attaching parts for EA2.11.2948 and EA2.11.2946:—							1	—	
AS2920/2B	. . . Bolt, 2BA, csk head							9	—	
AS2920/5B	. . . Bolt, 2BA, csk head							3	—	
AS2920/7B	. . . Bolt, 2BA, csk head							5	—	
EA2.11.3039	. . . SEAL, "P" (Make from Ref 4431) (Pre Mod 5282)							1	—	
EA2.11.3475	. . . SEAL, "P" (Make from Ref 6147756) (Mod 5282) Attaching parts for EA2.11.2039 or EA2.11.3475:—							1	—	
AS1242/1B	. . . Bolt, 4BA, csk head							95	—	
AGS2002B1	. . . Nut, stiff, 4BA							95	—	
EA2.11.1601	. . . Strip, retaining, frames 21-24							1	L72	
EA2.11.2447	. . . Strip, retaining, frames 24-28							1	L72	
EA2.11.1137	. . . Strip, retaining frames 28-29							1	L72	
R EB7.81.7367/8	. . WING ROOT P LUG BREAK, PORT AND STBD (Mod 5500) Spares for:—							—	—	
R EB7.81.7369	. . . DOUBLER, port							1	—	KA4/24
R EB7.81.7370	. . . DOUBLER, stbd							1	—	KA4/25
EA2.11.1309	. MECHANISM, FLARE DOOR OPERATING AT FRAME 21B, ASSEMBLY Spares for:—							—	—	
EA2.11.2417	. . COLLAR, special							2	S92	KA3/22
AGS899/12	. . COLLAR,							1	—	KA3/32A
AGS899/15	. . COLLAR							3	—	KA3/31A
EA1.11.937	. . LINK							1	L40	KA3/23
EA2.11.2943	. . LINK, DOOR ACTUATING ASSEMBLY Spares for:—							2	—	KA3/24
EA1.11.2941	. . . FORK-END							1	DTD683	KA3/25
EA2.11.875	. . . LINK							1	DTD683	KA3/26
EA2.11.879	. . . NUT, special							1	S11	KA3/27

FUSELAGE  
CENTRE FUSELAGE STRUCTURE

Part Number	1 2 3 4 5 6	Description	No. Off	Matl. Spec.	Plate No.

FUSELAGE  
CENTRE FUSELAGE STRUCTURE

Part Number	Description	No. Off	Matl. Spec.	Plate No.
EA1.11.1087	. . . PIN, special, hydraulic jack pick-up bracket connection, forward end	1	S11	KA3/28
EA2.11.1299	. . . PIN, special, door bracket pivot	2	S11	KA3/29
EA2.11.1301	. . . PIN, special, connection actuating link to hydraulic jack	2	S82	KA3/30
EA2.11.2421	. . . PIN, special, link	1	S11	KA3/31
EA2.11.2423	. . . PIN, anchor, arc link	1	S11	KA3/32
SP4Y/M25	. . . PIN, clevis	2	-	KA3/22A
SP90G10	. . . PIN, split	3	-	KA3/32B
SP90H9	. . . PIN, split	3	-	KA3/31B
EA2.11.881	. . . WASHER, special, spherical, at stay connection to hydraulic jack ram, forward	2	S11	KA3/33
EA2.11.2249	. . . WASHER, special (Make from Ref. 3516)	2	DTD687	KA3/34
EA2.11.3233	. . . WASHER, special (Make from Ref. 3517)	2	DTD687	KA3/35
EEAS27/112GS	. . . WASHER, special	2	STD687	KA3/36
EEAS27/70GS	. . . WASHER, special	2	DTD687	KA3/37
EA2.11.1311	. MECHANISM, FLARE DOOR OPERATING AT FRAME 29, ASSEMBLY Spares for:-	-	-	
EA2.11.2417	. . . COLLAR, special, retaining actuating link	2	S92	KA3/22
EA1.11.937	. . . LINK, connection, arc guide between hydraulic jack and bearing anchor plate, rear end	1	L40	KA3/23
EA2.11.2943	. . . LINK, DOOR ACTUATING, ASSEMBLY Spares for:-	2	-	KA3/24
EA1.11.2941	. . . . FORK-END	1	DTD683	KA3/25
EA1.11.875	. . . . LINK	1	DTD683	KA3/26
EA2.11.879	. . . . NUT, special	1	S11	KA3/27
EA1.11.1087	. . . PIN, special, hydraulic jack pick-up bracket connection, forward end	1	S11	KA3/28
EA2.11.1305	. . . PIN, special, door bracket pivot	2	S11	KA3/38
EA2.11.1301	. . . PIN, special, connection actuating link to hydraulic jack	1	S82	KA3/30
EA2.11.2421	. . . PIN, special, link	1	S11	KA3/31
EA2.11.2423	. . . PIN, anchor, arc link	1	S11	KA3/32
EA2.11.881	. . . WASHER, special, spherical, at stay connection to hydraulic jack ram forward	1	S11	KA3/33
EA2.11.3095	. . . WASHER, special (Make from Ref. 3516)	2	DTD687	KA3/39
EEAS27/112GS	. . . WASHER, special	2	DTD687	KA3/36
EA2.11.3233	. . . WASHER, special	2	DTD687	KA3/35
EEAS27/70GS	. . . WASHER, special	2	DTD687	KA3/37
EA2.11.11	. STRUCTURE, CENTRE FUSELAGE, ASSEMBLY Spares for:-	-	-	
EA2.11.187	. . . BULKHEAD, FRAME 13, ASSEMBLY (PRE-MOD 517)	-	-	
EA2.11.2671	. . . BULKHEAD, FRAME 13, ASSEMBLY (MOD 517) Spares for:-	-	-	
EA2.47.143	. . . . BRACKET, support, engine control levers, port	1	L72	
EA2.47.145	. . . . BRACKET, support, engine control levers, port	1	L72	
EA2.47.139	. . . . BRACKET, support, engine control levers, starboard	1	L72	
EA2.47.141	. . . . BRACKET, support, engine control levers, starboard	1	L72	
EA2.47.115	. . . . FAIRLEAD, half, engine controls	4	BS2572	
EA2.47.87	. . . . GUIDE, ASSEMBLY, ENGINE CONTROL TUBES Spares for:-	1	-	
EA2.47.27	. . . . FAIRLEAD, half, port side Attaching parts for EA2.47.27:-	2	BS2572	
A25/12C	. . . . Bolt, 2BA	2	-	
AGS2001C1/66	. . . . Nut, 2BA	2	-	
SP47C	. . . . Washer, spring	2	-	

FUSELAGE  
CENTRE FUSELAGE STRUCTURE

Part Number	1 2 3 4 5 6	Description	No. Off	Matl. Spec.	Plate No.
EA2.11.2397		. . . SEAL, rubber	1	-	
EA2.11.2487		. . . BULKHEAD, FRAME 15, ASSEMBLY Spares for:-	-	-	
EA2.47.89		. . . SUPPORT, ASSEMBLY, ENGINE CONTROLS TUBES, PORT Spares for:-	1	-	
EA2.47.99		. . . . BRACKET	1	L72	
EA2.47.105		. . . . FAIRLEAD, half Attaching parts for EA2.47.105:-	2	BS2572	
A25/11C		. . . . Bolt, 2BA	2	-	
AGS2001C1/66		. . . . Nut, 2BA	2	-	
EA2.47.93		. . . SUPPORT, ASSEMBLY, ENGINE CONTROL TUBES, STARBOARD Spares for:-	-	-	
EA2.47.103		. . . . BRACKET	1	L72	
EA2.47.105		. . . . FAIRLEAD, half Attaching parts for EA2.47.105:-	2	BS2572	
A25/11C		. . . . Bolt, 2BA	2	-	
AGS2001C1/66		. . . . Nut, 2BA	2	-	
EA2.11.845		. . . BULKHEAD, FRAME 21, ASSEMBLY Spares for:-	-	-	
EA2.11.799		. . . FRAME, LOWER, ASSEMBLY (PRE-MOD 517)	-	-	
EA2.11.2697		. . . FRAME, LOWER, ASSEMBLY (MOD 517) Spares for:-	-	-	
EA1.11.867		. . . . BRACKET, jack anchorage, flare doors	1	L45	
EA3.11.123		. . . . SEAL, "P" (Make from Ref. 4431) (Pre Mod 5282)	1	-	
EA3.11.5197		. . . . SEAL, "P" (Make from Ref. 6147756) (Mod 5282)	1	-	
EA2.11.1139		. . . BULKHEAD, FRAME 29, ASSEMBLY Spares for:-	-	-	
EA1.11.867		. . . . BRACKET, jack anchorage, flare doors	1	L45	
EA2.11.3254		. . . DOOR, ACCESS, FLARE BAY INSPECTION, ASSEMBLY (MOD 1200) Spares for:-	-	-	
EA3.11.859		. . . . BRACKET, access, door hinge, L.H.	1	L65	
EA3.11.860		. . . . BRACKET, access, door hinge, R.H.	1	L65	
EA3.11.855		. . . . DOOR, ACCESS, GROUP Spares for:-	1	-	
AVDEL					
A411		. . . . . PIN, "pip": quick release	1	-	
EA3.11.867		. . . . . RING, sealing	1	Neo-K-Tex	
EA3.11.861		. . . . . SHIM, access door hinge	2	Lam. Alum.	
EA1.11.965		. . . . LUG, attachment, L.H.	1	-	
EA1.11.966		. . . . LUG, attachment, R.H.	1	-	
EA2.11.3421		. . . FRAME, SPAR, CENTRE SECTION, ASSEMBLY Spares for:-	1	-	
EA2.11.3419		. . . SPAR, CENTRE SECTION, ASSEMBLY Spares for:-	1	-	
EA1.11.1789		. . . . BUSH, lower, inboard	4	-	
EA1.11.1787		. . . . BUSH, lower, outboard	4	-	
EA1.11.1793		. . . . BUSH, upper, inboard	4	-	
EA1.11.1791		. . . . BUSH, upper, outboard	4	-	
EA2.11.441		. . . FRAME 12A ASSEMBLY Spares for:-	-	-	
EA2.47.119		. . . SUPPORT, ASSEMBLY, ENGINE CONTROL TUBES, LOWER Spares for:-	1	-	
EA2.47.135		. . . . BRACKET	1	L72	
EA2.47.105		. . . . FAIRLEAD, half Attaching parts for EA2.47.105:-	2	BS2572	
A25/10C		. . . . Bolt, 2BA	2	-	
AGS2001C1/66		. . . . Nut, 2BA	2	-	

AP101B-0407-3A

## FUSELAGE

## CENTRE FUSELAGE STRUCTURE

Part Number	1 2 3 4 5 6	Description	No. Off	Mati. Spec.	Plate No.
EA2.47.129		SUPPORT, ASSEMBLY, ENGINE CONTROL TUBES, UPPER Spares for:—	1	—	
EA2.47.131		BRACKET	1	L72	
EA2.47.115		FAIRLEAD, half Attaching parts for EA2.47.115:—	2	BS2572	
A25/11C		Bolt, 2BA	2	—	
AGS2001C1/66		Nut, 2BA	2	—	
EA2.11.3041		FRAME 14, ASSEMBLY Spares for:—	—	—	
EA2.47.17		SUPPORT, ASSEMBLY, CONTROL TUBES, PORT Spares for:—	1	—	
FAIREY AVIATION FS515		BEARING, roller guide, assembly	3	—	
EA2.47.125		FAIRLEAD, SUB-ASSEMBLY, ENGINE CONTROL TUBES Spares for:—	1	—	
EA2.47.121		FAIRLEAD, half Attaching parts for EA2.47.121:—	2	BS2572	
A25/8C		Bolt, 2BA	2	—	
AGS2001C1/66		Nut, 2BA	2	—	
EA2.47.91		SUPPORT, ASSEMBLY, ENGINE CONTROL TUBES, STARBOARD Spares for:—	1	—	
EA2.47.101		BRACKET	1	L72	
EA2.47.105		FAIRLEAD, half Attaching parts for EA2.47.105:—	2	BS2572	
A25/10C		Bolt, 2BA	2	—	
AGS2001C1/66		Nut, 2BA	2	—	
EA2.11.1465		ROD, TENSION, No. 6 TANK SUPPORT, ASSEMBLY (Pre-Alt. R60/9-Pre-Mod 5099)	4	—	
EK5.11.721		ROD, TENSION, ASSEMBLY (Alt R60/9-Mod 5099)	4	—	
EA2.11.35		BRACKET (Pre-Alt. R60/9-Pre-Mod 5099)	1	—	
EK5.11.707		BRACKET (Alt. R60/9-Mod 5099)	1	—	
EA2.11.36		BRACKET (Pre-Alt. R60/9-Pre-Mod 5099)	1	—	
EK5.11.708		BRACKET (Alt. R60/9-Mod 5099)	1	—	
EA2.11.1463		ROD, tension	1	—	
EEAS28/7ER		WASHER, special	6	L72	
EA2.11.2575		WASHER, special	14	DTD683	

R

R

R

R

R

R



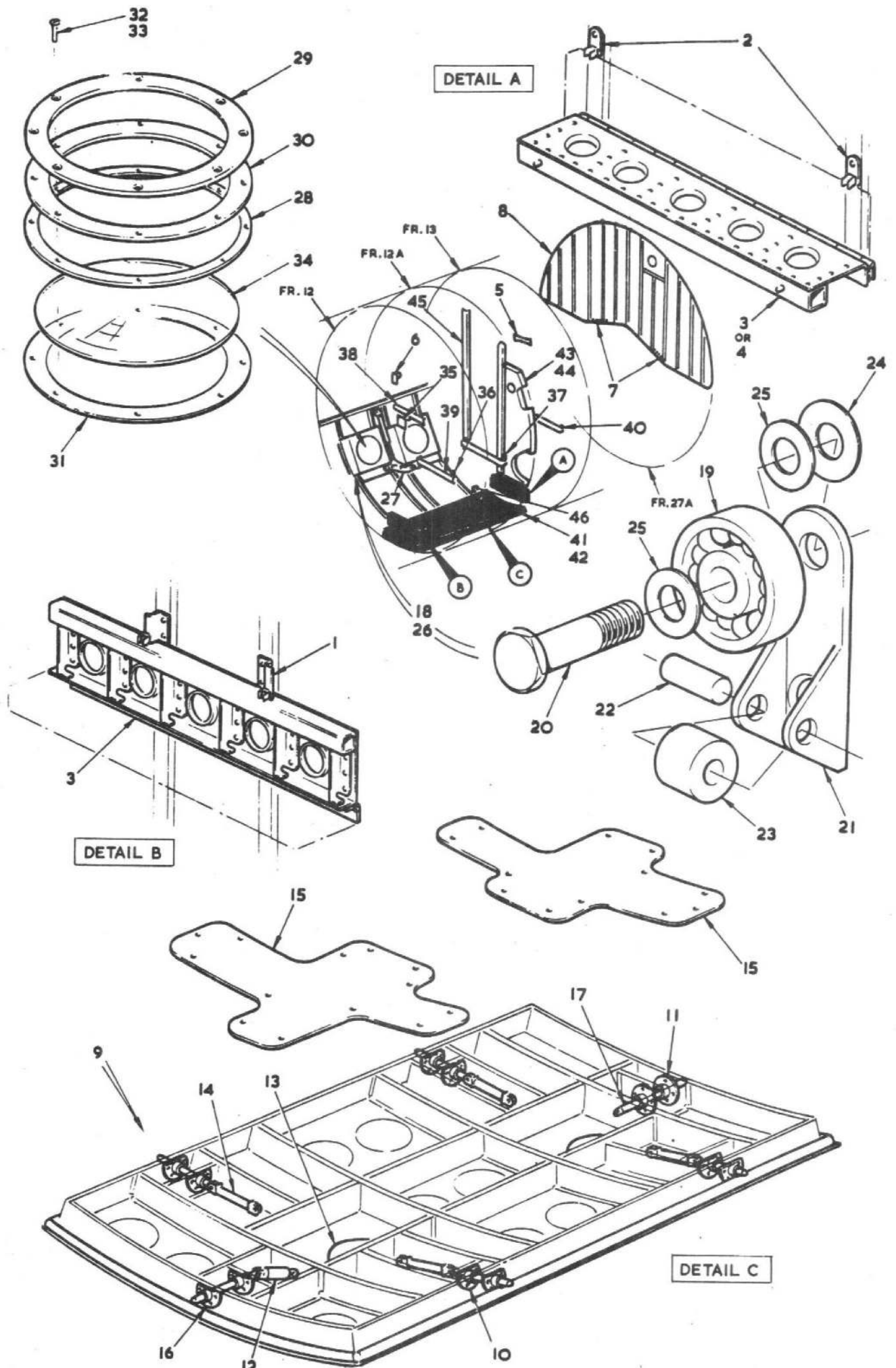


FIG 2 CENTRE FUSELAGE STRUCTURE

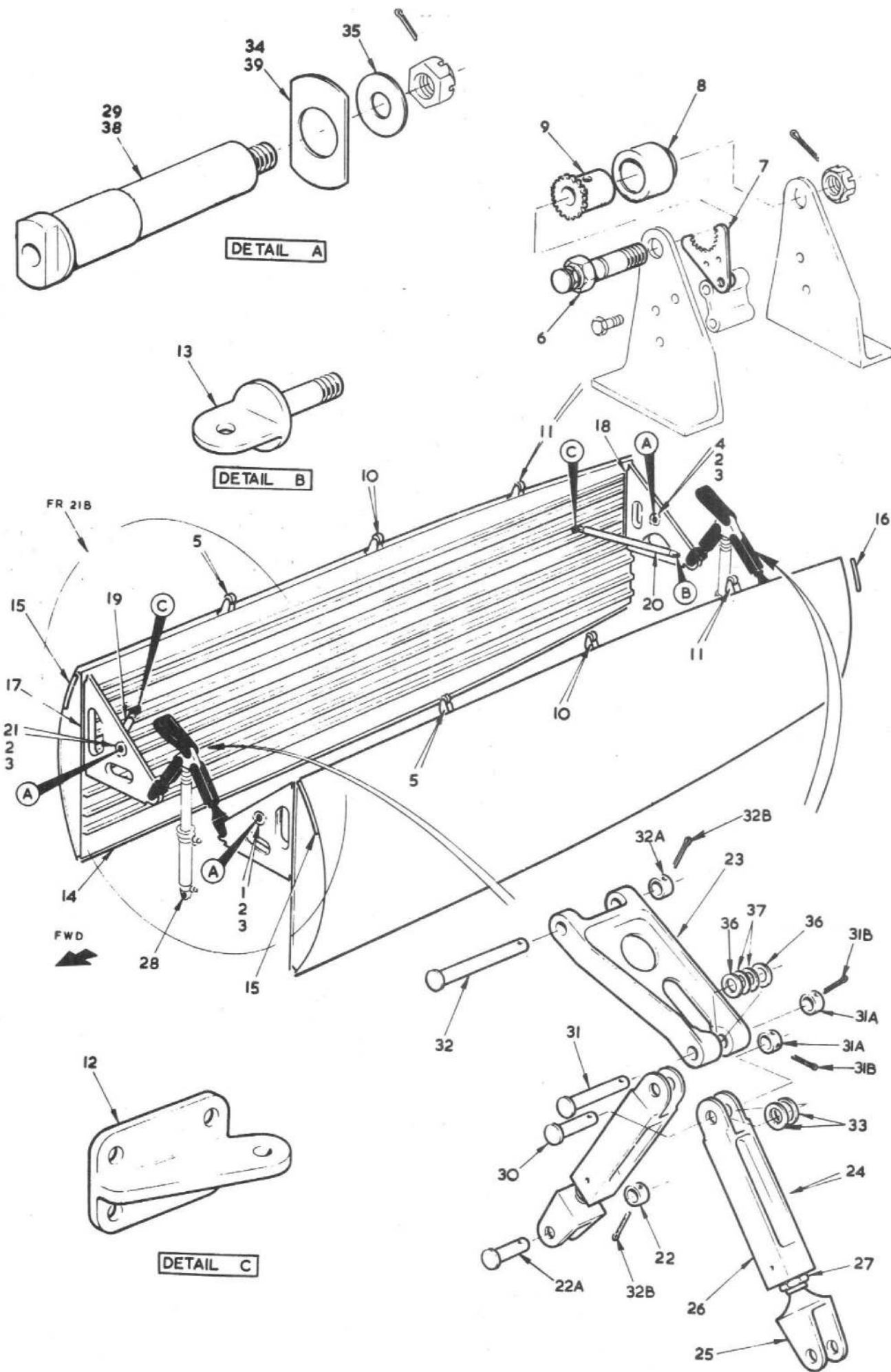


FIG.3 CENTRE FUSELAGE STRUCTURE

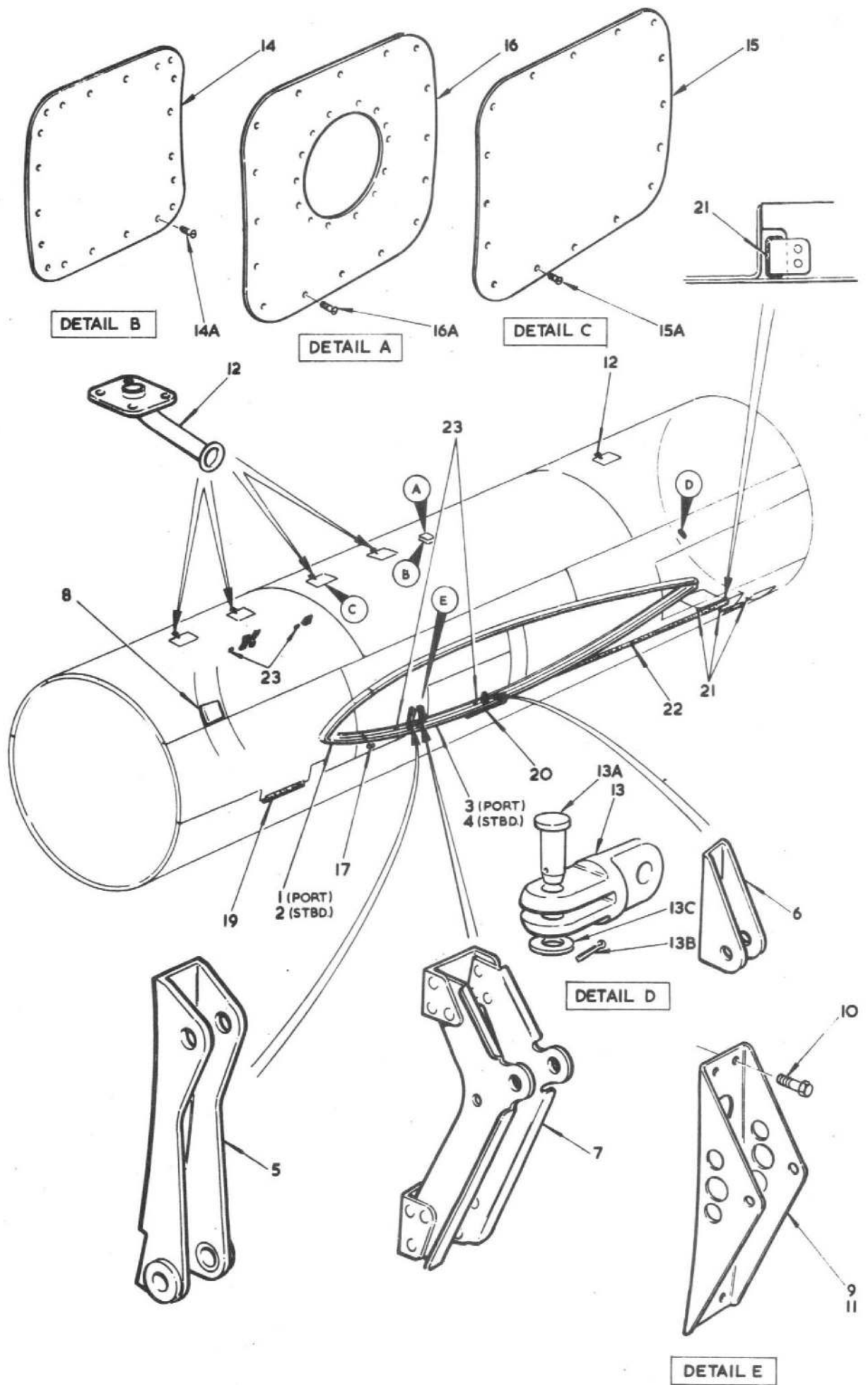


FIG. 4 CENTRE FUSELAGE STRUCTURE

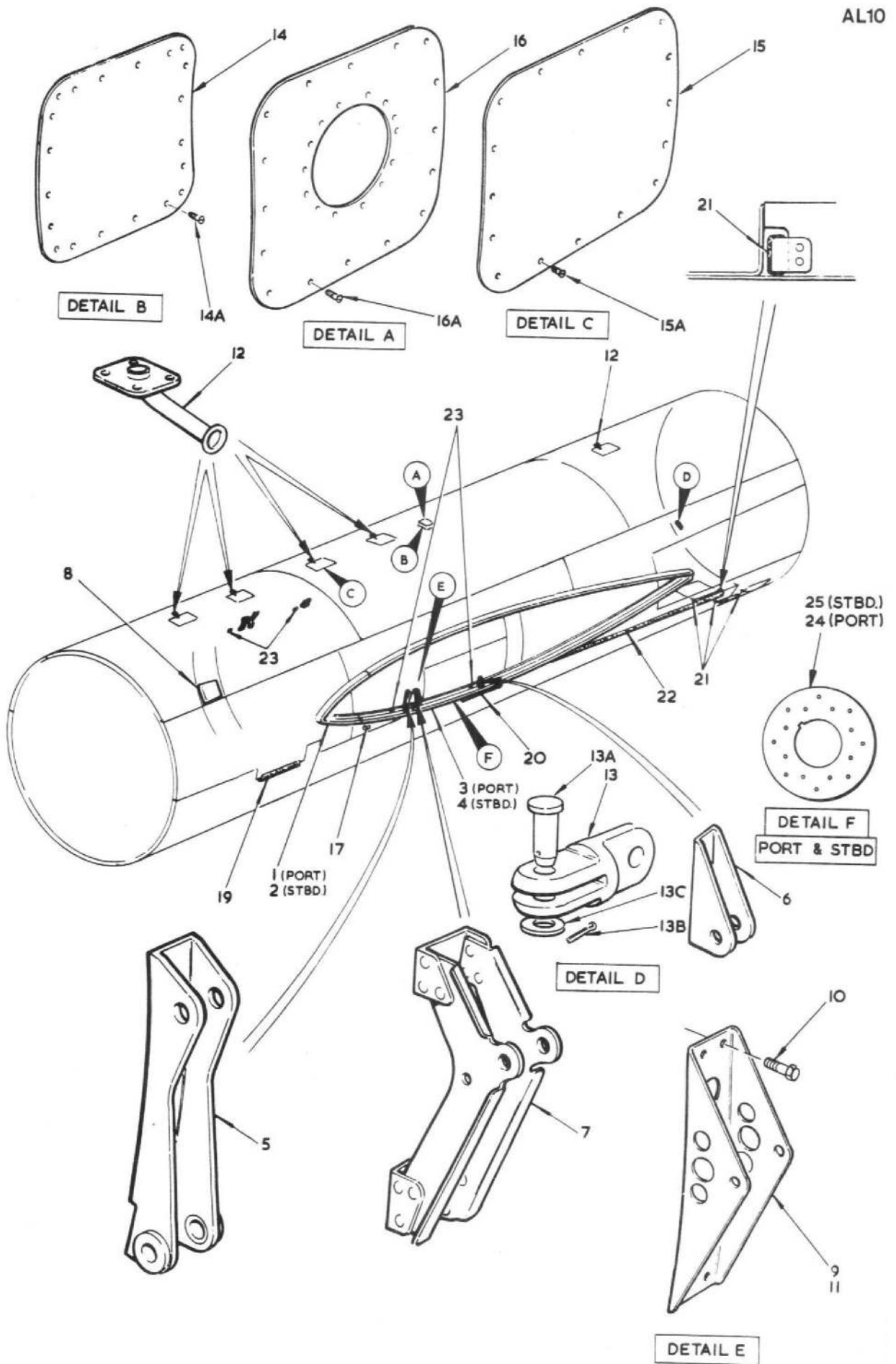


FIG. 4 CENTRE FUSELAGE STRUCTURE

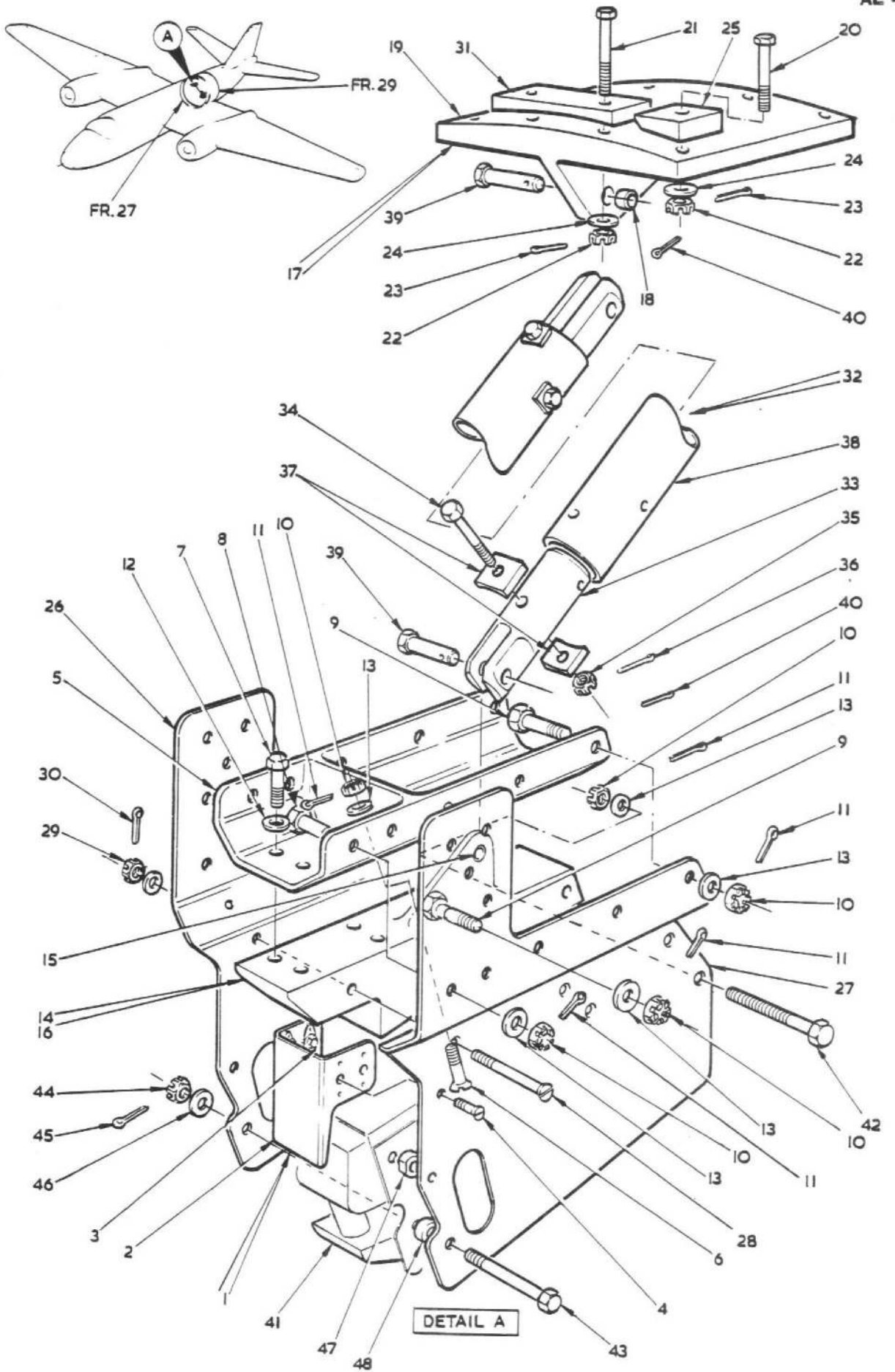


FIG 5 CENTRE FUSELAGE STRUCTURE

CODE T.

SECT KA

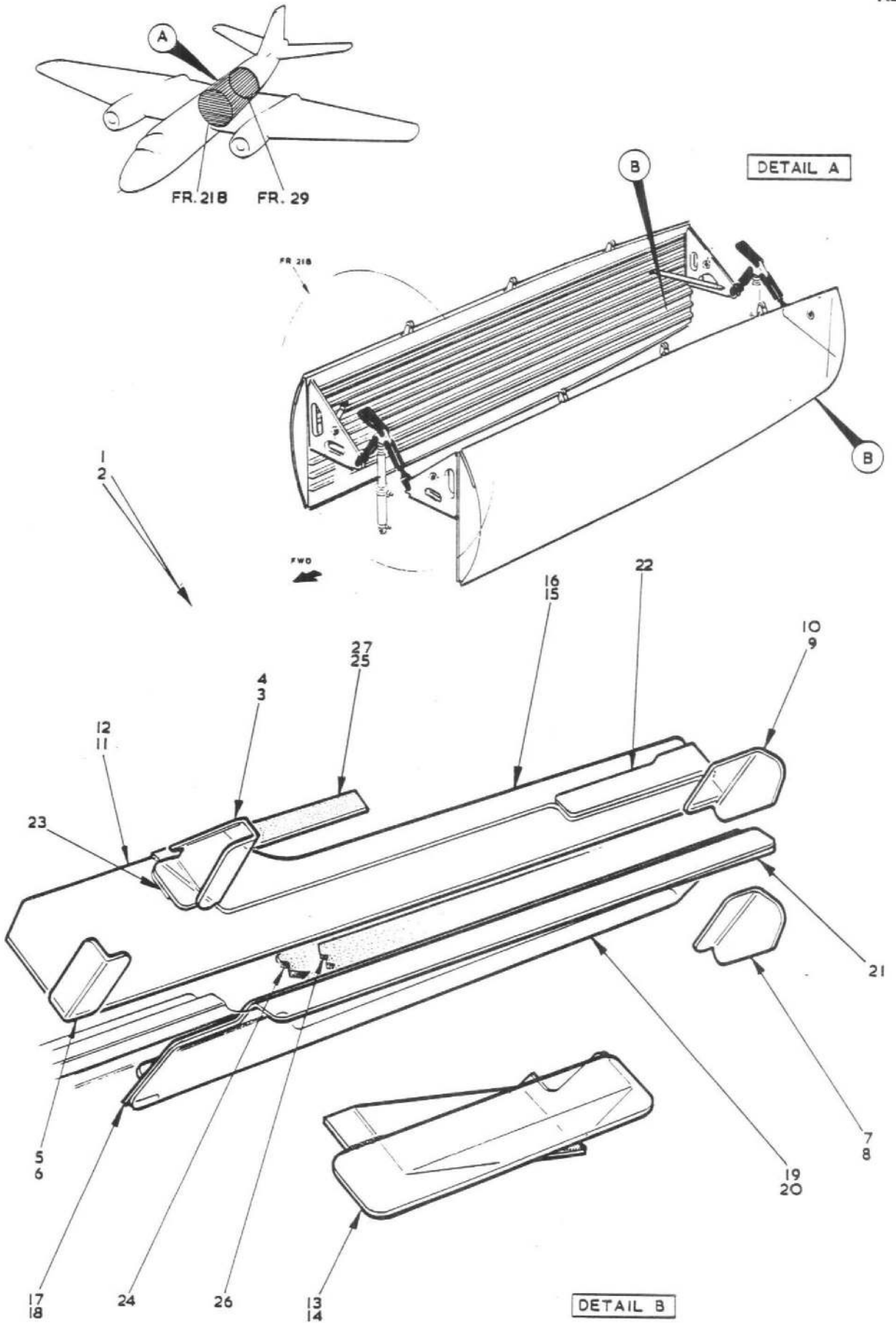


FIG 6 CENTRE FUSELAGE STRUCTURE

CODE T

SECT KA

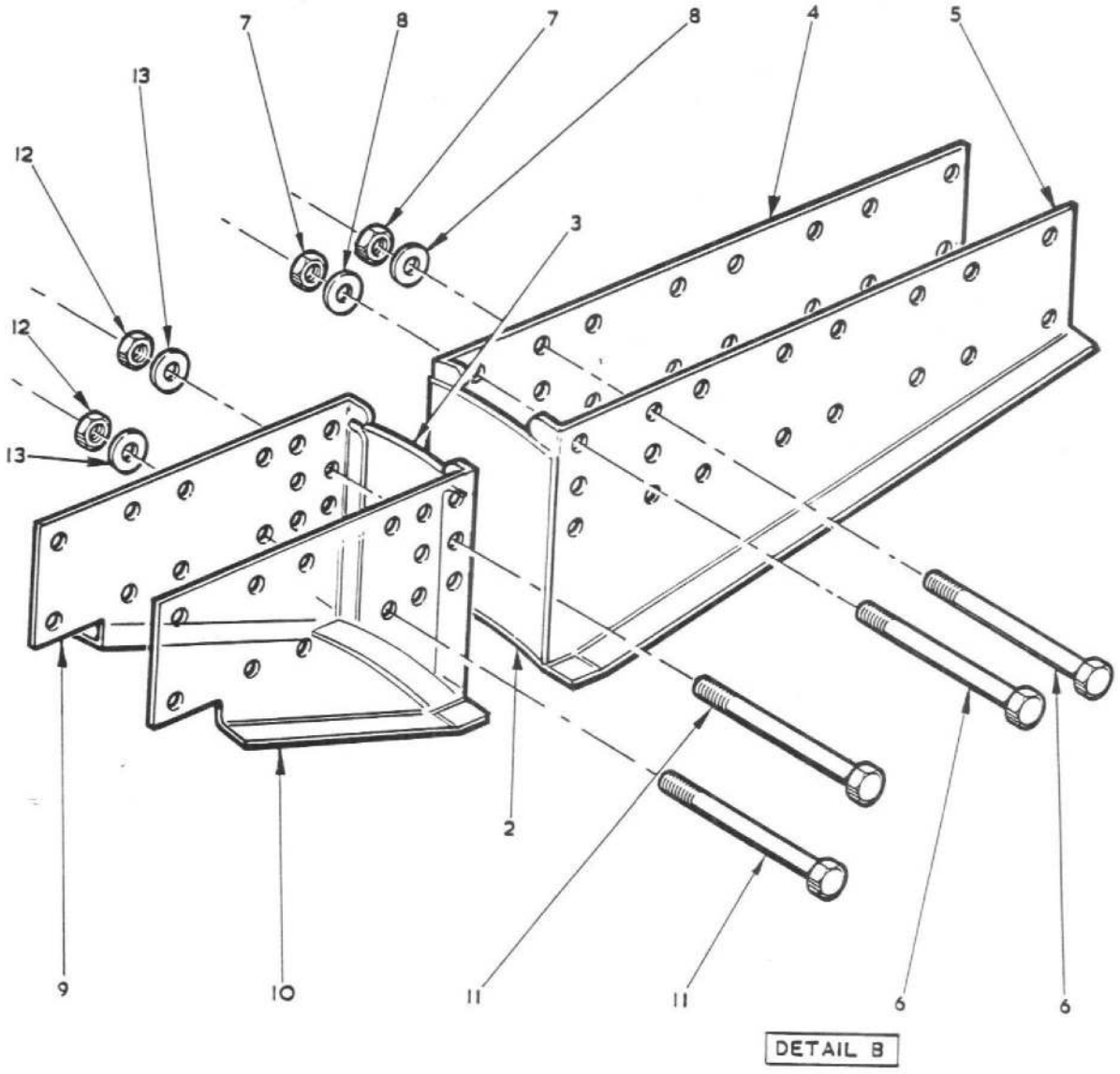
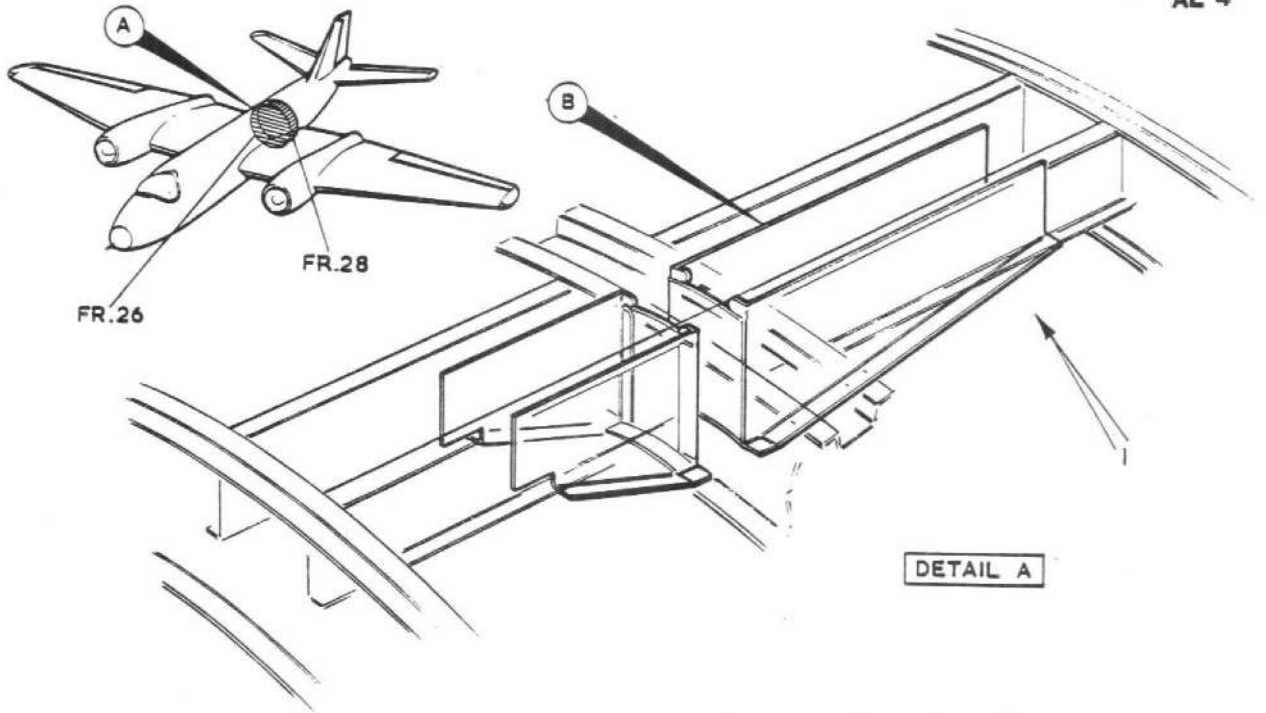


FIG 7 CENTRE FUSELAGE STRUCTURE

CODE T

SECT KA

This file was downloaded  
from the RTFM Library.

Link: [www.scottbouch.com/rtfm](http://www.scottbouch.com/rtfm)

Please see site for usage terms,  
and more aircraft documents.

