

FUSELAGE
FRONT FUSELAGE

Part Number	Description	No. Off	Matl. Spec.	Plate No.
R EB7.00.131	NOSE FUSELAGE ASSEMBLY (Spares for EB7.00.41 Ref. 26FZ21948) (PRE-MOD 5346)	1	-	
R EB7.00.5303	NOSE FUSELAGE ASSEMBLY (Spares condition - based on EB7.00.41 to LTF standard) (MOD 5346) Spares for:-	1	-	
R SCSHQ131083.A0	. AERIAL, DME, INSTALLATION (Mod 5430)	1	-	
EB7.74.15	. BLAST COOLING FOR INVERTER, TYPE 103, ASSEMBLY (MOD 1256) Consisting of:-	1	-	KB1/1
SP91L	. . CLIP, hose, type J	4	-	KB1/2
EB7.74.17	. . PIPE, assembly, from inverter	1	-	KB1/3
EB7.57.181	. . SLEEVE, pipe connection	2	Bells Asbestos	KB1/4
EA2.74.21	. BLAST COOLING FOR INVERTER, TYPE 201, ASSEMBLY Consisting of:-	-	-	KB1/5
SP144/028	. . CLIP, hose, type J	2	-	KB1/6
EA3.74.77	. . NUT, special	1	L40	KB1/7
EA3.74.71	. . PIPE, to inverter	1	T9	KB1/8
EA3.74.79	. . PIPE, assembly	1	L59	KB1/9
EA3.74.81	. . SLEEVE, pipe connecting	1	T9	KB1/10
EA3.74.73	. . WASHER, special	1	Langite	KB1/11
EA2.74.23	. BLAST COOLING FOR INVERTER, TYPE 200, ASSEMBLY Consisting of:-	-	-	KB1/12
SP144/028	. . CLIP, hose, type J	2	-	KB1/13
EA2.74.29	. . PIPE, assembly, from inverter	1	-	KB1/14
EA3.74.107	. . SLEEVE, pipe connecting (Make from Ref. 32C/376)	1	DTD625 Type 1	KB1/15
EEAS20/1DR	. . TAB, locking	1	-	KB1/16
EA3.74.99	. . Washer, special	1	Felt	KB1/17
EB7.75.3	. CABIN PRESSURE SYSTEM (See Chapter SB)	-	-	
EA3.74.21	. COLD AIR SUPPLY (See Chapter SB)	-	-	
EB7.45.3	. CONTROLS, FLYING IN COCKPIT (See Chapter DA)	-	-	
EB7.47.3	. CONTROLS, ENGINE (See Chapter CB)	-	-	
EB7.76.1	. DE-MISTING SYSTEM (See Chapter SD)	-	-	

FUSELAGE
FRONT FUSELAGE

Part Number	1 2 3 4 5 6	Description	No. Off	Matl. Spec.	Plate No.
EB7.74.21	.	DUCT, INVERTER COOLING, INSTALLATION (MOD 1773)	—	—	KB1/18
		Spares for:—			
EB6.74.81	. .	AIR-INTAKE, INVERTER, ASSEMBLY (PRE-MOD 3878)	1	—	KB1/19
EB6.74.131	. .	AIR-INTAKE, INVERTER, ASSEMBLY (MOD 3878)	1	—	
		Spares for:—			
EB6.74.11	. . .	AIR-INTAKE, inverter cooling	1	—	KB1/20
		Attaching parts for EB6.74.81 or EB6.74.131:—			
A25/3C	. .	Bolt, 2BA	2	—	KB1/21
AS1248/1C	. .	Bolt, 2BA	17	—	KB1/22
AS1248/2C	. .	Bolt, 2BA	4	—	KB1/23
EB6.74.57	. .	Gasket	2	Langite	KB1/24
SP10C	. .	Washer	23	—	KB1/25
EB6.74.3	. .	DUCT, cooling	1	—	KB1/26
		Attaching parts for EB6.74.3:—			
A25/1C	. .	Bolt, 2BA	5	—	KB1/27
EB6.74.55	. .	Gasket	1	—	KB1/28
AGS2001C1/66	. .	Nut, 2BA	5	—	KB1/29
SP10C	. .	Washer	5	—	KB1/30
SP15C	. .	Washer	5	—	KB1/31
EB6.74.77	. .	DUCT, outlet, assembly	1	—	KB1/32
		Attaching parts for EB6.74.77:—			
AS1248/1C	. .	Bolt, 2BA	8	—	KB1/33
EB6.74.67	. .	Gasket	1	—	KB1/34
EB7.74.27	. .	Shim, laminated (if required)	1	—	KB1/35
EB7.81.5	.	ELECTRICAL EQUIPMENT IN FRONT FUSELAGE (PRE-MOD 5022) (See chapter EB)	—	—	
EB7.81.7005	.	ELECTRICAL EQUIPMENT IN FRONT FUSELAGE (MOD 5022) (See chapter EB)	—	—	

FUSELAGE

FRONT FUSELAGE

Part Number	Description	No. Off	Matl. Spec.	Plate No.
EB7.10.1	. FRONT FUSELAGE, ASSEMBLY	-	-	
-	Spares for:- . . . ALTERATIONS TO NAVIGATOR'S HATCH LONGERONS AND FORWARD AND AFT MEMBERS (EA2.10.2527)	-	-	
	Spares for:-			
EA3.10.6417 ANGLE, LH	1	-	KB14/1
EA3.10.6418 ANGLE, RH	1	-	KB14/2
EA3.10.6419 ANGLE, LH	1	-	KB14/3
EA3.10.6420 ANGLE, RH	1	-	KB14/4
EA3.10.6421 ANGLE, LH	1	-	KB14/5
EA3.10.6422 ANGLE, RH	1	-	KB14/6
EA3.10.6427 ANGLE, LH	3	-	KB14/7
EA3.10.6428 ANGLE, RH	3	-	KB14/8
EA3.10.6429 ANGLE	1	-	KB14/9
EA3.10.6430 ANGLE	1	-	KB14/10
EA3.10.65 ANGLE, LH	1	-	KB14/11
EA3.10.66 ANGLE, RH	1	-	KB14/12
EA3.10.6395 ARCH, forward member (Pre-Mod 5346)	1	-	
EA3.00.5737 ARCH, forward member (Spares for EA3.10.6395) (Mod 5346)	1	-	KB14/13
EA3.10.6399 ARCH, aft member (Pre-Mod 5346)	1	-	
EA3.00.5735 ARCH, aft member (Spares for EA3.10.6399) (Mod 5346)	1	-	KB14/14
EA3.10.561 ARM, steady	23	-	KB14/15
EA3.10.6415 DIAPHRAGM, LH	1	-	KB14/16
EA3.10.6416 DIAPHRAGM, RH	1	-	KB14/17
EA3.10.6501 DIAPHRAGM, LH	1	-	KB14/18
EA3.10.6502 DIAPHRAGM, RH	1	-	KB14/19
EA3.10.6503 DIAPHRAGM, LH	1	-	KB14/20
EA3.10.6504 DIAPHRAGM, RH	1	-	KB14/21
EA2.10.2541 DOUBLING, LH	1	-	KB14/22
EA2.10.2542 DOUBLING, RH	1	-	KB14/23
EA3.10.6389 FRAME, bolt, navigator's hatch (Pre-Mod 5346)	1	-	
EA3.00.5783 FRAME, bolt, navigator's hatch (Spares for EA3.10.6389) (Mod 5346)	1	-	KB14/24
	Spares for:-			
EA3.10.6391 BLOCK, corner	2	-	KB14/25
EA3.10.6393 BLOCK, corner	2	-	KB14/26
EA3.10.1981 BLOCK	30	-	KB14/27
EA3.10.161 FRAME, bolt, forward	1	-	KB14/28
EA3.10.163 FRAME, bolt, aft	1	-	KB14/29
EA3.10.165 FRAME, bolt, LH	1	-	KB14/30
EA3.10.166 FRAME, bolt, RH	1	-	KB14/31
AGS2008/E/1 NUT, anchor, 1/4" BSF, thin	68	-	KB14/32
	Attaching parts:-			
EA1.10.1029 Bolt, explosive	34	-	KB14/33
EA3.10.6407 Bush	21	-	KB14/34
EA3.10.6511 Bush	2	-	KB14/35
A27LT Nut, thin, 7/16" BSF	34	-	KB14/36
EA3.10.6411 Tube, distance	2	-	KB14/37
EA3.10.6413 Tube, distance	21	-	KB14/38
AGS2035L Washer, shakeproof, 7/16" BSF	34	-	KB14/36A

FUSELAGE
FRONT FUSELAGE

Part Number	1 2 3 4 5 6					Description	No. Off	Matl. Spec.	Plate No.
	1	2	3	4	5				
R EA3.10.6401						FITTING, forward, LH	1	—	KB15/1
R EA3.10.6403						FITTING, aft, LH	1	—	KB15/2
						Attaching parts for EA3.10.6401 and EA3.10.6403:—			
R A59/7E						Bolt, 1/4" BSF	3	—	KB15/3
R A59/5E						Bolt, 1/4" BSF	4	—	KB15/4
R A59/3E						Bolt, 1/4" BSF	4	—	KB15/5
R A25/3C						Bolt, 2 BA	5	—	KB15/6
R A27/CP						Nut, 2BA, plain	5	—	KB15/7
R A27/EP						Nut, 1/4" BSF, plain	11	—	KB15/8
R SP124/E						Washer, thin	4	—	KB15/9
R SP125/E						Washer, thick	4	—	KB15/10
R SP125/C						Washer, thick	5	—	KB15/11
R EA3.10.6402						FITTING, forward, RH	1	—	KB15/12
R EA3.10.6404						FITTING, aft, RH	1	—	KB15/13
						Attaching parts for EA3.10.6402 and EA3.10.6404:—			
R A59/7E						Bolt, 1/4" BSF	3	—	KB15/14
R A59/5E						Bolt, 1/4" BSF	4	—	KB15/15
R A59/3E						Bolt, 1/4" BSF	4	—	KB15/16
R A25/3C						Bolt, 2 BA	5	—	KB15/17
R A27/CP						Nut, 2 BA, plain	5	—	KB15/18
R A27/EP						Nut, 1/4" BSF, plain	11	—	KB15/19
R SP124/E						Washer, thin	4	—	KB15/20
R SP125/E						Washer, thick	4	—	KB15/21
R SP125/C						Washer, thick	5	—	KB15/22
R EA3.10.6513						GUSSET, LH	1	—	KB15/23
R EA3.10.6514						GUSSET, RH	1	—	KB15/24
R EA2.10.2529						LONGERON, escape hatch, LH	1	—	KB15/25
R EA2.10.2531						LONGERON, escape hatch, RH	1	—	KB15/26
R EA2.10.851						LONGERON, member, LH	1	—	KB15/27
R EA2.10.852						LONGERON, member, RH	1	—	KB15/28
R EA2.10.2551						PACKING	1	—	KB15/29
R EA2.10.2553						PACKING	1	—	KB15/30
R EA2.10.2533						PANEL, skin, LH	1	—	KB15/31
R EA2.10.2534						PANEL, skin, RH	1	—	KB15/32
R EA2.10.887						PANEL, skin, LH	1	—	KB15/33
R EA2.10.889						PANEL, skin, RH	1	—	KB15/34
R EA2.10.891						PANEL, skin, LH	1	—	KB15/35
R EA2.10.893						PANEL, skin, RH	1	—	KB15/36
R EA3.10.519						PANEL, skin	1	—	KB15/37
R EA3.10.6431						PLATE, tie	1	—	KB15/38
R EA3.10.6432						PLATE, tie	1	—	KB15/39
R EA2.10.2557						REINFORCING, LH	1	—	KB15/40
R EA2.10.2558						REINFORCING, RH	1	—	KB15/41
R EA3.10.549						SEAL, pressure	1	—	KB15/42

FUSELAGE
FRONT FUSELAGE

Part Number	Description	No. Off						Mati. Spec.	Plate No.
		1	2	3	4	5	6		
R EA2.10.2543	. . . SHIM					2	—	KB15/43	
R EA2.10.2545	. . . SHIM					2	—	KB15/44	
R EA2.10.2547	. . . SHIM					2	—	KB15/45	
R EA2.10.2549	. . . SHIM					2	—	KB15/46	
R EA3.10.6397	. . . STIFFENER, hatch frame					1	—	KB15/47	
R EA2.10.2535	. . . STRAP, butt					2	—	KB15/48	
R EA2.10.2537	. . . STRAP, butt					2	—	KB15/49	
R EA2.10.2539	. . . STRAP, butt					2	—	KB15/50	
R EA3.10.471	. . . WEDGE, packing					10	—	KB15/51	
R EA3.10.2551	. . . ARM, steady, LH					1	L72	KB5/47	
R EA3.10.2552	. . . ARM, steady, RH					1	L72	KB5/48	
R EA1.10.1029	. . . BOLT, special					34	—	KB5/49	
EA3.10.6165	. . . BRACKET, BUTT-CONNECTOR, INSTALLATION (MOD 3706—S.O.O.) Spares for:—					—	—		
EA3.10.6177	. . . BRACKET					1	L72		
EA3.10.6131	. . . STRIP, sealing (Make from 30B9611220)					1	L72		
EA3.10.2581	. . . BRACKET, hinge, port					1	—	KB6/9A	
EA3.10.2582	. . . BRACKET, hinge, starboard					1	—	KB6/10A	
	Attaching parts for EA3.10.2581 or EA3.10.2582:—								
AS1242-4C	. . . Bolt, 2BA					2	—	KB6/9B	
AS1242-5C	. . . Bolt, 2BA (Alternative to AS1242-4C)					2	—		
AS1242-6C	. . . Bolt, 2BA					2	—	KB6/9C	
AS1242-7C	. . . Bolt, 2BA (Alternative to AS1242-6C)					2	—		
AGS2001C1-66	. . . Nut, 2BA					4	—	KB6/9D	
SP13C	. . . Washer					4	—	KB6/9E	
EA1.20.1033	. . . Washer, special					4	—	KB6/9F	
EA3.10.983	. . . BUSH, rubber					16	—	KB11/8	
EA3.10.6409	. . . BUSH (Alt. R60/46—Mod 5099)					21	L65	KB5/50	
EA1.10.1165	. . . BUSH (Alt. R60/46—Mod 5099)					11	L40	KB5/51	
EA3.10.6407	. . . BUSH (Alt. R60/46—Mod 5099)					2	L65		
EA3.10.3021	. . . CAP, sealing, for escape hatch, pivot					2	L40	KB5/52	
EA3.10.3019	. . . COLLAR, sealing, for escape hatch pivot					2	DTD683	KB5/53	
EA1.10.1189A	. . . DOOR					1	DTD390	KB11/11A	
EA1.10.501	. . . DOOR, ACCESS, EQUIPMENT, ASSEMBLY (Supplied to Part No. EA3.00.113 for spares purposes) Spares for:—					1	—	KB2/1	
EA1.10.511	. . . LINK, connecting					2	—	KB2/2	
AS2866P	. . . LOCK, L.H. FLUSH TYPE, ASSEMBLY Spares for:—					1	—	KB2/3	
AS5382 BOLT, pivot					1	—	KB2/4	
AS2558 BUTTON, pressure, seal					1	—	KB2/5	
AS2528 BUTTON, push outer					1	—	KB2/5A	
AS2552 HANDLE, single handle lock					1	—	KB2/6	
FGS50 KEY					1	—		
or FFE4									
AS2532 PLATE, catch					1	—	KB2/7	
AS2530 PLATE, centre, push button					1	—	KB2/6A	
AS2559 SEAL, handle					1	—	KB2/8	
AS5381 SEAL, push button					1	—	KB2/9	
AS2534 SPRING, for catch					1	—	KB2/10	
AS2556 STUD, spring					1	—	KB2/11	
	Attaching parts for AS2866P:—								
A33B12 Screw, 4BA					11	—	KB2/13	
EA1.10.2423 PANEL, removable					1	—	KB2/14	
EA1.10.2421 RING, packing					1	L72	KB2/12	
EA1.10.549 ROD, door lock					2	L64	KB2/15	
EA1.10.2425 STRIP, sealing, 1-2" wide (Make from EEAS141-1, Ref. 12713)					1	—	KB2/16	

FUSELAGE
FRONT FUSELAGE

Part Number	1 2 3 4 5 6					Description	No. Off	Mati. Spec.	Plate No.
	1	2	3	4	5				
EA3.10.1401	DOOR, MAIN ENTRANCE, ASSEMBLY Spares for:—	1	—	KB3/1
EA1.10.1145	BOLT, assembly, door, aft	1	—	KB3/2
EA1.10.1143	BOLT, assembly, door forward Attaching parts for EA1.10.1145 and EA1.10.1143:—	1	—	KB3/3
SP4Y/B6	Pin	1	—	KB3/4
EA3.10.2313	FAIRING, handle, internal Attaching parts for EA3.10.2313:—	1	—	KB3/5
AS1248/2C	Bolt, 2BA	13	—	KB3/6
EA1.10.1785	HANDLE, door, internal Attaching parts for EA1.10.1785:—	1	—	KB3/7
AS1248/2C	Bolt, 2BA	1	—	KB3/8
SP47C	Washer	1	—	KB3/9
SP13C	Washer	1	—	KB3/10
EA3.10.1407	HINGE, ENTRANCE DOOR, ASSEMBLY Spares for:—	2	—	KB3/1A
SKEFKO CBS3	BEARING, ballrace	2	—	KB3/1B
EA3.10.1403	HINGE	1	—	KB3/1C
EA3.10.1405	PIN	1	—	KB3/1D
EA1.10.1733	HOUSING, door, bolt aft Attaching parts for EA1.10.1733:—	1	—	KB3/11
A25/2B	Bolt, 4BA	16	—	KB3/12
A27BP	Nut, 4BA	16	—	KB3/13
SP47B	Washer	16	—	KB3/14
EA1.10.1735	HOUSING, door, bolt forward Attaching parts for EA1.10.1735:—	1	—	KB3/15
A25/1B	Bolt, 4BA	10	—	KB3/16
A25/2B	Bolt, 4BA	14	—	KB3/17
A27BP	Nut, 4BA	14	—	KB3/18
SP47B	Washer	24	—	KB3/19
EA1.10.1337	LEVER, cranked, aft	1	—	KB3/20
EA1.10.813	LEVER, cranked, forward Attaching parts for EA1.10.1337 and EA1.10.813:—	1	—	KB3/21
A25/6C	Bolt, 2BA	1	—	KB3/22
EA1.10.1149	Tube, distance	1	—	KB3/23
EA1.10.821	LINK, coupling, crank lever to door handle Attaching parts for EA1.10.821:—	1	—	KB3/24
SP4Y/B4	Pin	2	—	KB3/25
SP13C	Washer	2	—	KB3/26

AP101B-0407-3A

FUSELAGE
FRONT FUSELAGE

Part Number	1 2 3 4 5 6	Description	No. Off	Matl. Spec.	Plate No.
AS2864P	. . .	LOCK, FLUSH FITTING DOOR, ASSEMBLY Spares for:—	1	—	KB3/27
AS5382	BOLT, pivot	1	—	KB3/28
AS2558	BUTTON, pressure seal	1	—	KB3/29
AS2528	BUTTON, push inner	1	—	KB3/29A
AS2549	HANDLE, outer, double handle	1	—	KB3/30
FGS50	KEY	1	—	
or					
FFE4					
AS2532	PLATE, catch	1	—	KB3/31
AS2530	PLATE, centre, push button	1	—	KB3/31A
AS2559	SEAL, handle	1	—	KB3/32
AS5381	SEAL, push button	1	—	KB3/33
AS2534	SPRING, for catch	1	—	KB3/34
AS2556	STUD, spring	1	—	KB3/35
		Attaching parts for AS2864P:—			
AS1248-1B	. . .	Bolt, 4BA	4	—	KB3/36
A33B20	. . .	Screw, 4BA	11	—	KB3/37
EA1.10.1995	. . .	PANEL, access Attaching parts for EA1.10.1995:—	1	L72	KB3/38
AS1242-2C	. . .	Bolt, 2BA	14	—	KB3/39
AS1248-2C	. . .	Bolt, 2BA	30	—	KB3/40
EA3.10.1447	. . .	PANEL, dished back Attaching parts for EA3.10.1447:—	1	—	KB3/41
AS1248-2C	. . .	Bolt, 2BA	1	—	KB3/42
EA1.10.2657	. . .	GASKET	1	—	KB3/43
EA1.10.1319	. . .	PLATE (bracket), swivel door stop Attaching parts for EA1.10.1319:—	1	L72	KB3/44
A27EP	. . .	Nut, 1-4" BSF	1	—	KB3/45
SP13E	. . .	Washer	1	—	KB3/46
EA1.10.1651	. . .	SEAL, door, outer (Make from 32C652)	1	—	KB3/47
EA3.10.2813	. . .	STRAP, support strut, stowage	1	—	KB3/48
EA3.10.1459	. . .	TUBE, stay, door prop	1	—	KB3/49
EA1.10.939	. . .	DOOR, NOSE, UNDERCARRIAGE, PORT, ASSEMBLY (Supplied to Part No EA3.00.149 for spares purposes) Spares for:—	1	—	KB4/1
EA1.10.957	. . .	BLOCK, catch Attaching parts for EA1.10.957:—	2	—	KB4/2
EA1.10.961	. . .	Bolt, special	4	—	KB4/3
EA1.10.963	. . .	Shim	1	—	KB4/4
SP47C	. . .	Washer	4	—	KB4/5
EA1.10.1367	. . .	BRACKET, door, pick-up Attaching parts for EA1.10.1367:—	1	—	KB4/6
EA1.10.2707	. . .	Bolt, special (Make from A25.3C)	8	—	KB4/7
EA1.10.1369	. . .	Shim	1	—	KB4/8

R
R

FUSELAGE
FRONT FUSELAGE

Part Number	Description						No. Off	Matl. Spec.	Plate No.
	1	2	3	4	5	6			
EA1.10.1271	1	—	KB4/9
EA1.10.1413	1	—	KB4/10
EA1.10.955	1	Rubber	KB4/11
EA1.10.2467	1	—	KB4/12
or									
EA3.10.6377	1	L72	
EA3.10.3485	1	—	KB4/13
or									
EA3.10.6383	1	L72	
A33C32	2	—	KB4/14
EA1.10.949	1	Light Alloy	KB4/15
or									
EA3.10.6381	1	BACM64	
EEAS6C	2	—	KB4/16
EA1.10.2655	1	—	KB4/17
EA1.10.2065	1	—	KB4/18
EA3.10.2811	1	Synthetic	KB4/19
EA3.10.6583	1	Neoprene DTD5514	
			
AGS2001A1	16	—	KB4/20
A33A12	16	—	KB4/21
EA1.10.2513	1	—	KB4/22
EA1.10.2515	1	—	KB4/23
EA1.10.940	1	—	KB4/24
EA3.10.3129	2	—	KB4/25
EA1.10.983	4	—	KB4/26
SP47C	4	—	KB4/27
EA1.10.1367	1	—	KB4/28
EA1.10.2707	8	—	KB4/29
EA1.10.1369	1	—	KB4/30
EA1.10.2071	1	—	KB4/31
A25/3C	2	—	KB4/32
A27CP	2	—	KB4/33
EA1.10.2077	2	—	KB4/34
EA3.10.3085	1	L65	KB4/35
A25/3C	2	—	KB4/36
AGS2002C1	2	—	KB4/37
SP16C	2	—	KB4/38
EA1.10.1272	1	—	KB4/39
EA1.10.1414	1	—	KB4/40

AP101B-0407-3A

FUSELAGE
FRONT FUSELAGE

Part Number	1 2 3 4 5 6	Description	No. Off	Matl. Spec.	Plate No.
EA3.10.3193	HOOK, door latch, forward Attaching parts for EA3.10.3193:—	1	—	KB4/41
EA1.10.971	Pin, pivot	1	—	KB4/42
EA1.45.989	Shim	1	—	KB4/43
EEAS28/23CU	Washer	2	—	KB4/44
EA3.10.3239	HOOK, door latch aft (Mod 1465) Attaching parts for EA3.10.3239:—	1	S11	KB4/45
EA3.10.3375	Packing (Mod 1465)	5	L72	KB4/46
EA1.10.971	Pin, pivot	1	—	KB4/47
SP15G	Washer	1	—	KB4/48
EA1.10.955	PAD Attaching parts for EA1.10.955:—	1	Rubber	KB4/49
EA1.10.2467	Angle	1	—	KB4/50
or					
EA3.10.6378	Angle	1	L72	
EA2.10.3485	Packing	2	—	KB4/51
or					
EA3.10.6383	Packing	1	L72	
A33C32	Screw, 2BA	2	—	KB4/52
EA1.10.949	Shim	1	Light Alloy	KB4/53
or					
EA3.10.6381	Shim	1	BACM64	
EEAS6C	Washer	2	—	KB4/54
EA1.10.1725	PLATE, cover Attaching parts for EA1.10.1725:—	1	—	KB4/55
A33B12	Screw, 4BA	2	—	KB4/56
EA3.10.3211	ROD, CONNECTING NOSE UNDERCARRIAGE DOOR HOOKS, ASSEMBLY Spares for:—	1	—	KB4/57
EA3.10.3083	COLLAR, spring, adjusting	1	L65	KB4/58
EA3.10.3207	FORK-END	1	S96	KB4/59
EA3.10.3213	FORK-END	1	S96	KB4/60
A27CP	NUT, 2BA	2	—	KB4/61
A27CPL	NUT, 2BA	1	—	KB4/62
EA3.10.3209	ROD	1	S96	KB4/63
EA3.20.2271	SPRING	1	DTD239A	KB4/64
AGS899/1	Attaching parts for EA3.10.3211:— Collar	2	—	KB4/65
SP4Y/A7	Pin, shackle	2	—	KB4/66
SP90C4	Pin, split	2	—	KB4/67
EA1.10.2075	ROLLER Attaching parts fro EA1.10.2075:—	1	—	KB4/68
EA1.10.2073	Pin	1	—	KB4/69
EA3.10.2811	STRIP, sealing (Make from Ref. 4756) (Pre Mod 5282)	1	Synthetic Rubber	KB4/70
EA3.10.6583	STRIP, sealing (Make from Ref 6147755) (Mod 5282) Attaching parts for EA2.10.2811:—	1	Neoprene DTD5514	
AGS2001A1	Nut, 6BA	16	—	KB4/71
A33A12	Screw, 6BA	16	—	KB4/72
EA1.10.2145	Strip, securing	1	—	KB4/73
EA1.10.2515	Strip, securing	1	—	KB4/74

R

R

R

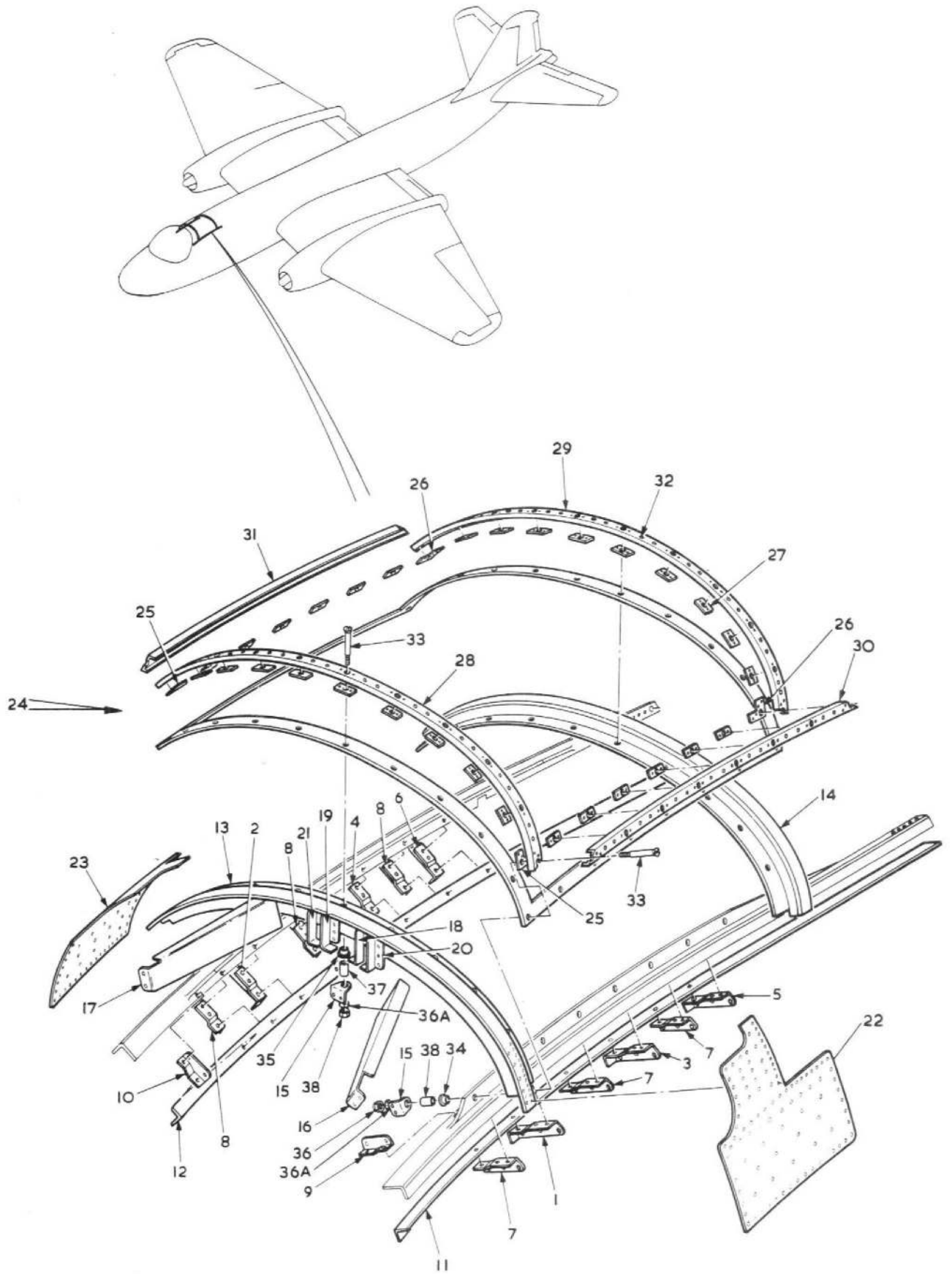


FIG 14. FRONT FUSELAGE STRUCTURE

CODE T

SECT KB

This file was downloaded
from the RTFM Library.

Link: www.scottbouch.com/rtfm

Please see site for usage terms,
and more aircraft documents.

