

TAIL UNIT
RUDDER C/W TAB

Ref. No.	Part No.	Description	No. off	Matl. Spec.	Cl. of Equip M.R. L.M.	Plate No.
5173	EA3.33.1	RUDDER, C/W TAB, ASSEMBLY (PRE—MOD 4478)	1	—	A	TA1/1
1439171	EA3.00.1069	RUDDER, C/W TAB, ASSEMBLY (MOD 4478) (PRE—MOD 4853)	1	—	A	
6051074	EA3.00.5373	RUDDER, C/W TAB, ASSEMBLY (MOD 4833) (PRE—MOD 5043)	1	—	A	
6119223	EA3.00.5397	RUDDER, C/W TAB, ASSEMBLY (MOD 5043) Spares for:—	1	—	A	
329	EA1.33.247	. BOLT, special trim tab actuator connecting	1	S11	C	TA1/2
4156	EA1.33.287	. BOLT, special nose rib 2 and trailing edge rib 2	2	S65	C	TA2/1
5876	EA1.33.283	. BRACKET, TOP HINGE MOUNTING, ASSEMBLY Spares for:—	1	—	B	TA2/2
19735	EA1.33.71	. BRACKET, HINGE, RUDDER, ASSEMBLY Spares for:—	1	—	—	TA2/3
	HOFFMANN					
2A/9500467	CA3	. . . BALLRACE, self aligning	1	—	B	TA2/4
1041	EEAS3J	. . . HOUSING, ballrace	1	—	C	TA2/5
20452	EEAS4/18J	. . . WASHER, packing	2	—	C	TA2/6
2100	EA1.33.293	. . BRACKET, hinge, top mounting	1	DTD683	C	TA2/7
3668	EA3.33.215	. . CUP, sealing	2	Rubber	C	TA2/8
28M/5808571	A27GS	. . NUT, 5/16" BSF	1	—	C	TA2/9
330	EA1.33.281	. . PIN, special, hinge	1	S65	C	TA2/10
28P/1040788	SP90C8	. . PIN, split	1	—	C	TA2/11
3669	EA3.33.213	. . PLATE, locking	1	DTD124A	C	TA2/12
28S/1214098	4104-8-5/16	. . SCREW, self tapping, type Z	1	—	C	TA2/13
28W/9419477	SP15J	. . WASHER	1	—	C	TA2/14
		Attaching parts for EA1.33.283:—				
28D/1008145	A25/6E	. Bolt, 1/4" BSF	2	—	C	TA2/15
2101	EA1.33.297	. COWL, rubber, tab control rod Attaching parts for EA1.33.297:—	1	—	C	TA2/16
28D/9128739	AS1248/1/2B	. Bolt, 4BA	9	—	C	TA2/17
9994	EA1.33.189	. HINGE, BOTTOM TAB, RIB 1, ASSEMBLY Spares for:—	1	—	B	TA2/18
	SKEFKO					
2A/9500463	CBA2	. . BALLRACE	1	—	B	TA2/19
28N/9144935	AGS2030/24	. . CIRCLIP, internal 29/32" dia Attaching parts for EA1.33.189:—	1	—	C	TA2/20
28D/9133012	A25/3C	. Bolt, 2BA	3	—	C	TA2/22
333	EA1.31.63	. Bolt, ballrace attachment	1	—	C	TA2/23
28W/9419475	SP15C	. Washer	3	—	C	TA2/24
	EA3.33.7	. NOSE, RUDDER AND PIVOT POINT, ASSEMBLY Spares for:—	1	—	—	TA1/3
18215	EA3.33.247	. . ARM, mass balance Attaching parts for EA1.33.247:—	1	—	B/MR	TA1/4
28D/9133012	A25/3C	. . Bolt, 2BA	8	—	C	TA1/5
28M/9403520	A27CP	. . Nut, 2BA	8	—	C	TA1/6
28W/9419402	SP13C	. . Washer	8	—	C	TA1/7
	RANSOME & MARLES					
2A/9500423	CA1 13/16"	. . BALLRACE, main, lower, tab operating gear	1	—	B	TA1/8
331	EA1.33.301	. . BOLT, special, rudder trim tab actuator	1	S11	C	TA1/9

TAIL UNIT
RUDDER C/W TAB

Ref. No.	Part No.	Description	No. off	Matl. Spec.	Cl. of Equip M.R. L.M.	Plate No.
9949	EA1.33.125	BRACKET, BOTTOM, RUDDER HINGE, ASSEMBLY Spares for:—	1	—	B	TA1/10
18220	EA3.33.217	SHROUD, sealing	1	—	C	TA1/11
2733	EA1.33.815	SPIGOT Attaching parts for EA1.33.125:—	1	S11	C	TA1/12
28D/9133011	A25/2C	Bolt, 2BA	10	—	C	TA1/13
28D/9133012	A25/3C	Bolt, 2BA	2	—	C	TA1/14
28M/1012015	AGS2001C1/66	Nut, 2BA	12	—	C	TA1/15
28W/9419402	SP13C	Washer	12	—	C	TA1/16
2102	EA1.33.215	GEAR, TAB OPERATING, ASSEMBLY Spares for:—	1	—	B	TA1/17
19742	EA1.33.231	BRACKET, lever stop Attaching parts for EA1.33.231:—	1	—	C	TA1/19
28D/9133012	A25/3C	Bolt, 2BA	2	—	C	TA1/20
28M/9433473	AGS2002C1	Nut, 2BA	1	—	C	TA1/21
13097	EA3.00.259	GEAR, RUDDER TAB, ASSEMBLY Spares for:—	1	—	—	TA1/21A
2A/9500419	RANSOME & MARLES CA1 ¹ / ₁₆ "	BALLRACE	2	—	B	TA1/18
28N/4043821	AGS2031/22	CIRCLIP, external 1 ¹ / ₁₆ "	1	—	C	TA1/18A
19739	EA1.33.161	LEVER, assembly Attaching parts for EA1.33.161:—	1	—	B	TA1/22
19745	EA1.33.241	Bolt, special	3	—	C	TA1/23
28M/7002430	AGS2002E1	Nut, 1/4" BSF	3	—	C	TA1/24
20468	EA3.33.211	PLATE, sealing Attaching parts for EA3.33.211:—	1	—	MR	TA1/25
28S/1214840	4100/6x ³ / ₈ "	Screw	2	—	C	TA1/26
19740	EA1.33.165	ROD, assembly	1	—	MR	TA1/27
19738	EA1.33.151	SLEEVE, BEARING, ASSEMBLY Spares for:—	1	—	C	TA1/28
2A/9500420	RANSOME & MARLES CA1 ⁵ / ₁₆ "	BALLRACE	1	—	B	TA1/29
19399	EA1.33.157	SLEEVE	1	—	B	TA1/30
19737	EA1.33.233	TUBE, distance	1	—	MR	TA1/35
19753	EA1.33.131	TUBE, torque, inner	1	—	MR	TA1/36
19753	EA1.33.803	TUBE, TORQUE, OUTER, ASSEMBLY Spares for:—	1	—	MR	TA1/37
19751	EA1.33.721	LEVER Attaching parts for EA1.33.721:—	1	—	B	TA1/38
19745	EA1.33.241	Bolt, special	3	—	C	TA1/39
28M/7002430	AGS2002E1	Nut, 1/4" BSF	3	—	C	TA1/40
28W/9419405	SP15E	Washer	3	—	C	TA1/41
	EA1.33.143	SLEEVE, BEARING, ASSEMBLY Spares for:—	1	—	—	TA1/42
2A/9500420	RANSOME & MARLES CA1 ⁵ / ₁₆ "	BALLRACE	1	—	B	TA1/43
19731	EA1.33.211	STOP, limit Attaching parts for EA1.33.211:—	1	—	C	TA1/31
28D/1011242	A25/7E	Bolt, 1/4" BSF	1	—	C	TA1/32
28M/9480017	AGS2001E1/66	Nut, 1/4" BSF	1	—	C	TA1/33
28W/9418921	SP13E	Washer	1	—	C	TA1/34

TAIL UNIT
RUDDER C/W TAB

Ref. No.	Part No.	Description	No. off						Matl. Spec.	Cl. of Equip M.R. L.M.	Plate No.
			1	2	3	4	5	6			
2103	EA1.33.177	. . . HOUSING, BEARING, FOR RUDDER OPERATING GEAR AT RIB 6, ASSEMBLY Spares for:—						1	—	A	TA3/1
	RANSOME & MARLES										
2A/9500420	CA1 ⁵ / ₁₆ " BALLRACE						1	—	B	TA3/2
28N/1007712	AGS2031/24 CIRCLIP, 1/16" external						1	—	C	TA3/3
28N/2001693	AGS2030/48 CIRCLIP, 1 ³ / ₄ " internal						1	—	C	TA3/4
19736	EA1.33.123 HOUSING, bearing Attaching parts for EA1.33.123:—						1	L40	MR	TA3/5
28D/1011238	A25/3E Bolt, 1/4" BSF						4	—	C	TA3/6
19741	EA1.33.179 LEVER, ASSEMBLY Spares for:—						1	—	C/MR	TA3/7
	SKEFKO										
2A/9500463	CBA2 BALLRACE						1	—	B	TA3/8
5495	EA1.33.205 PLATE, stop Attaching parts for EA1.33.205:—						1	L40	C/MR	TA3/9
28D/9140203	AS1246/3C Bolt, round head, 2BA						1	HTS	C	TA3/10
19743	EA1.33.201 RING, ballrace retaining						1	L64	C/MR	TA3/11
19730	EA1.33.203 TUBE, distance						1	T.4	C/MR	TA3/12
6360	EA1.33.383 HOUSING, bearing tab operating gear at rib 2 Attaching parts for EA1.33.383:—						1	L40	C/MR	TA1/44
28D/1011238	A25/3E Bolt, 1/4" BSF						6	—	C	TA1/45
9715	EA1.33.445 PANEL, access L.H. lower hinge bracket						1	—	C	TA3/13
9716	EA1.33.447 PANEL, access R.H. lower hinge bracket Attaching parts for EA1.33.445 & EA1.33.447:—						1	—	C	TA3/14
1025	EEAS1/1C Screw, 2BA						8	—	C	TA3/15
5402	EA1.33.791 PANEL, access upper hinge bracket Attaching parts for EA1.33.791:—						1	—	C	TA3/16
1025	EEAS1/1C Screw, 2BA						10	—	C	TA3/17
9717	EA1.33.425 PLUG, sealing rudder lifting point						2	—	C	TA3/18
6833	EA1.33.57 RIB, nose No. 1 L.H. (Pre—Mod 4427)						1	—	C/MR	
1438852	EA9.33.75 RIB, nose No. 1 L.H. (Mod 4427)						1	—	C/MR	TA3/19
6834	EA1.33.58 RIB, nose No. 1 R.H. (Pre—Mod 4427) (Supplied for spares to drg EA3.00.5265)						1	—	C/MR	
1438853	EA9.33.76 RIB, nose No. 1 R.H. (Mod 4427) (Supplied for spares to drg EA3.00.5266)						1	—	C/MR	TA3/20
1523	EA1.33.779 NUT, special ballrace weight clamping						1	MS	C	TA3/21
9962	EA3.33.133 PAD, assembly						1	—	MR	TA3/22
28P/1279968	SP90H13 PIN, split, 5/12" dia						1	—	C	TA3/22A
9960	EA1.33.93 RIB, TRAILING, No. 6 ASSEMBLY Spares for:—						1	—	MR	TA3/23
18216	EA1.33.187 HINGE, tab centre Attaching parts for EA1.33.187:—						1	—	C	TA3/24
28D/9133011	A25/2C Bolt, 2BA						1	—	C	TA3/25
28D/9133012	A25/3C Bolt, 2BA						2	—	C	TA3/26
28M/9403520	A27CP Nut, 2BA						3	—	C	TA3/27
28W/9419475	SP15C Washer						2	—	C	TA3/28

TAIL UNIT

RUDDER C/W TAB

Ref. No.	Part No.	Description	No. off	Mtrl. Spec.	Cl. of Equip M.R. L.M.	Plate No.
10007	EA3.33.271	. ROD, TAB, CONTROL, ASSEMBLY (PRE—MOD 4930)	1	—	B	TA2/25
6051700	EA3.33.303	. ROD, TAB, CONTROL, ASSEMBLY (MOD 4930) Spares for:—	1	—	B	
12026	EA3.33.269	. . BOLT, special, adjusting	1	S95	C	TA2/26
3225	EEAS131/1	. . FORK-END, control tube	1	DTD683	C	TA2/27
1573	EEAS37/13A	. . NIPPLE, 3/16" dia	10	—	C	TA2/29
28M/1006939	A27GP	. . NUT	1	—	C	TA2/29A
28M/4199646	A27GPL	. . NUT	1	—	C	TA2/29B
28R/4707604	HOFFMANN CF2	. . ROD-END, assembly	1	—	C	TA2/28
	or RANSOME & MARLES CM3/16C	. . ROD-END, assembly	1	—	C	
	EA1.33.275	. . SOCKET, screwed	1	L40	—	TA2/30
1570	EEAS38/1A	. . SPOKE, 6BA	5	—	C	TA2/31
		Attaching parts for EA3.33.271 & EA3.33.303:—				
1051	EEAS13	. Bolt, special 1/4" BSF	1	S11	C	TA2/32
328	EA1.31.65	. Bolt, special	1	—	C	TA2/33
68	EEAS14	. Bush, bearing	2	S11	C	TA2/34
28M/1011467	A27ES	. Nut, 1/4" BSF	1	—	C	TA2/35
28M/5808573	A27CS	. Nut, 2BA	1	—	C	TA2/36
28P/9527619	SP90C7	. Pin, split, 1/16" dia	2	—	C	TA2/36A
2104	EEAS28/8GR	. Washer	2	L72	C	TA2/37
28W/9419404	SP16C	. Washer	1	—	C	TA2/38
3368	EA3.33.21	. TAB, RUDDER, TRIM, ASSEMBLY (PRE—MOD 4478)	1	—	A	TA2/39
1439178	EA3.00.1079	. TAB, RUDDER, TRIM, ASSEMBLY (MOD 4478) (PRE—MOD 4853)	1	—	A	
6051075	EA3.00.5383	. TAB, RUDDER, TRIM, ASSEMBLY (MOD 4853) (PRE—MOD 5043)	1	—	A	
6119224	EA3.00.5407	. TAB, RUDDER, TRIM, ASSEMBLY (MOD 5043) Spares for:—	1	—	A	
4679	EA3.31.53	. . ARM, balance support Attaching parts for EA3.31.53:—	6	L40	B/MR	TA2/40
28M/4095912	A29EP	. . Nut, 1/4" BSF	1	—	C	TA2/41
28W/9419487	SP16E	. . Washer	1	—	C	TA2/42
28W/9419405	SP15E	. . Washer	1	—	C	TA2/43
4160	EA1.45.49	. . BOLT, special, balance weight retaining	6	S1	C	TA2/44
19754	EA3.33.23	. . BRACKET, rudder tab actuator	1	—	—	TA3/29
334	EA1.31.61	. . PIN, hinge bearing Attaching parts for EA1.31.61:—	1	S11	C	TA3/30
28M/1007403	A27ET	. . Nut, 1/4" BSF	1	—	C	TA3/31
19763	EA3.33.107	. . WEIGHT, balance	2	—	—	TA2/44A
19767	EA3.33.125	. . WEIGHT, balance	1	—	—	TA2/44B
7088	EA1.33.481	. WASHER, mass balance	19	—	MR	TA3/32
335	EA1.33.249	. WASHER, special thrust trim actuator connecting bolt	2	L40	C	TA1/46
9953	EA3.33.249	. WEIGHT, balance Attaching parts for EA3.33.131:—	1	—	—	TA3/33
9992	EA1.33.489	. Bolt	4	—	MR	TA3/34
9993	EA1.33.491	. Packing	4	—	MR	TA3/35
9963	EA3.33.139	. WEIGHT, balance	3	—	MR	TA3/36
9991	EA1.33.483	. WEIGHT, balance	7	—	MR	TA3/37

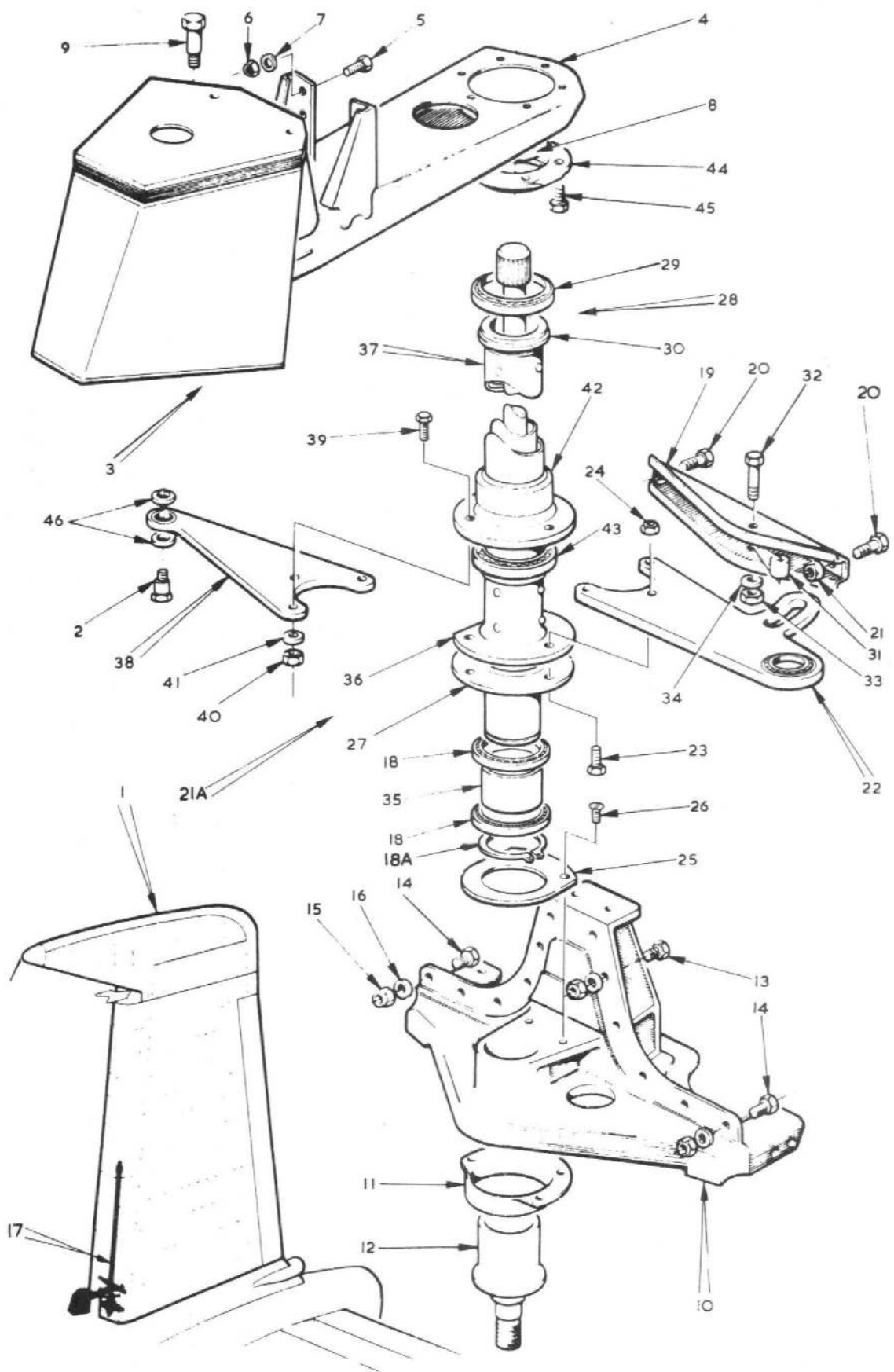


FIG 1 RUDDER C/W TAB

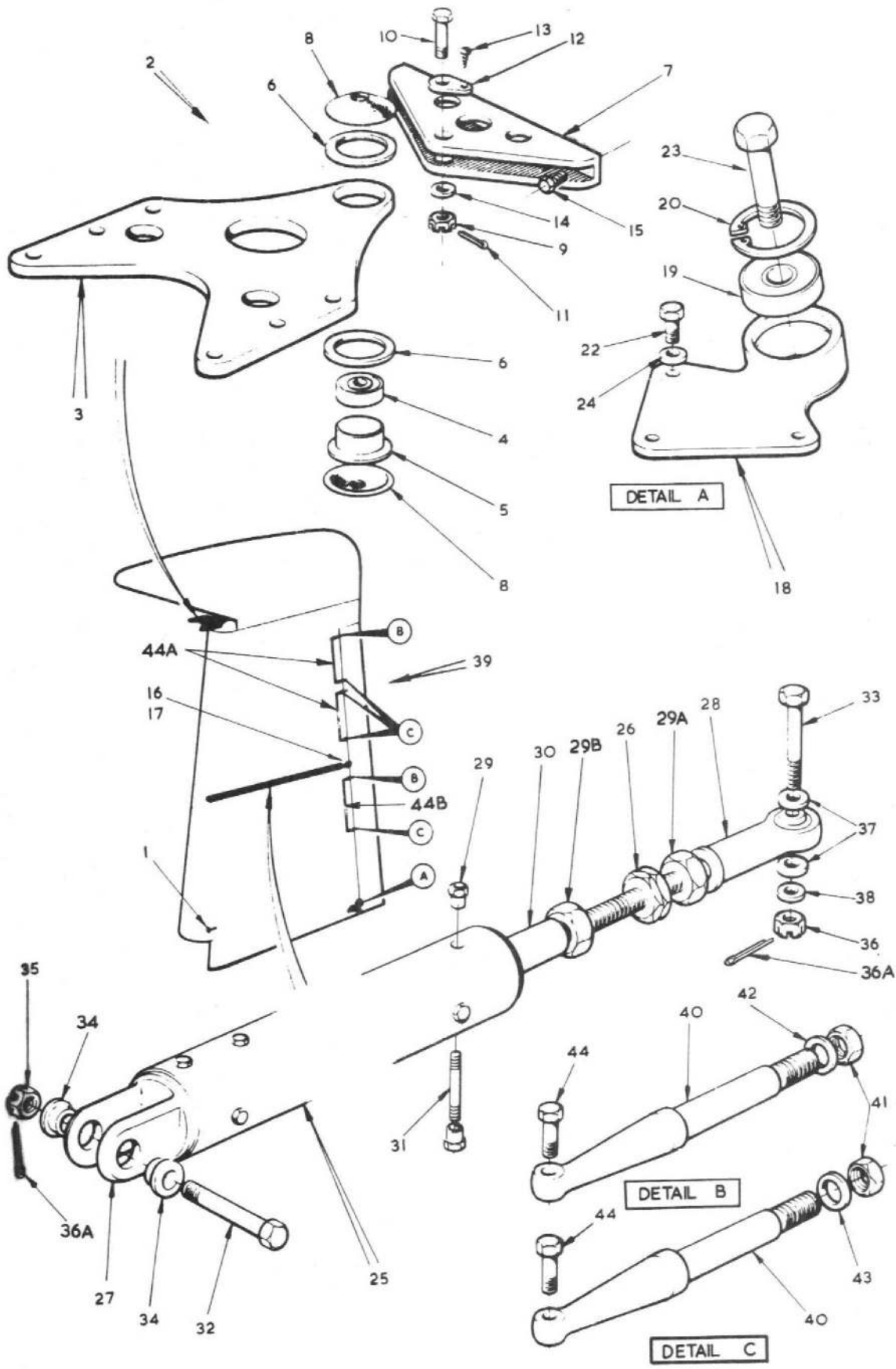


FIG 2 RUDDER C/W TAB

CODE RSTZ

SECT TA

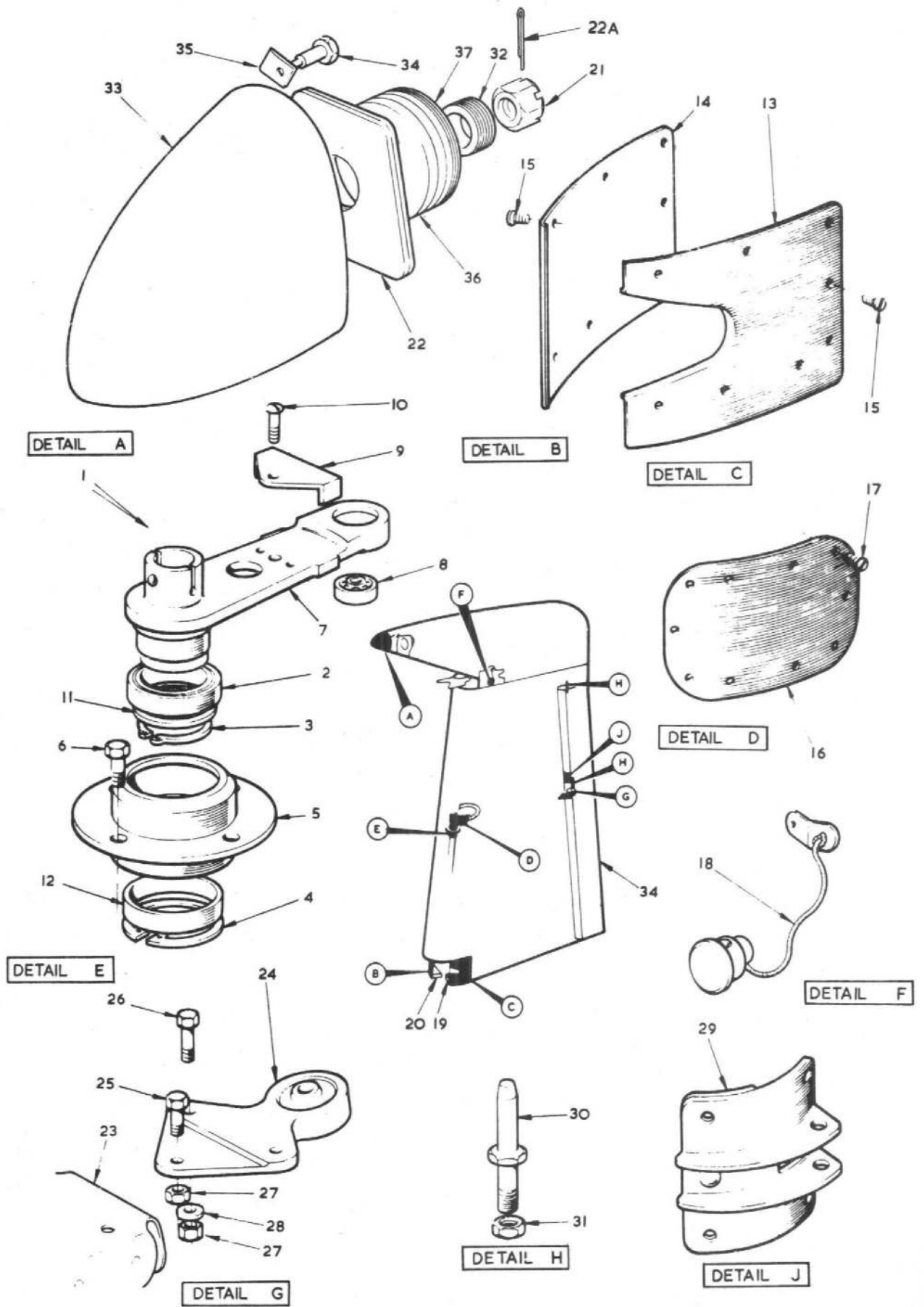


FIG 3 RUDDER C/W TAB

This file was downloaded
from the RTFM Library.

Link: www.scottbouch.com/rtfm

Please see site for usage terms,
and more aircraft documents.

