

## TAIL UNIT

## TAILPLANE AND ELEVATORS

Ref. No.	Part No.	Description	No. off	Matl. Spec.	Cl. of Equip M.R. L.M.	Plate No.
	EB6.00.19	TAILPLANE AND ELEVATORS, ASSEMBLY Spares for:—	—	—	—	TB1/1
67	EEAS13/1	. . . BOLT, special, 1/4" BSF	1	S11	C	TB6/2
1590	EA1.30.335	. . . BUFFER, rubber	2	Shore 45	C	TB9/8A
3386	EA3.31.47	. . . BUSH, serrated	1	—	C	TB6/3
2991	EA1.31.1	. . . ELEVATOR, C/W TAB, PORT, ASSEMBLY (PRE—MOD 4478)	1	—	A	TB1/2
1439168	EA3.00.1065	. . . ELEVATOR, C/W TAB, PORT, ASSEMBLY (MOD 4478) (PRE—MOD 4853)	1	—	A	
6051069	EA3.00.5369	. . . ELEVATOR, C/W TAB, PORT, ASSEMBLY (MOD 4853) (PRE—MOD 5043)	1	—	A	
6119219	EA3.00.5393	. . . ELEVATOR, C/W TAB, PORT, ASSEMBLY (MOD 5043)	1	—	A	
2919	EA1.31.709	. . . ARM, MASS BALANCE, ASSEMBLY Consisting of:—	1	—	—	TB1/3
21988	EA1.31.713	. . . ARM, balance weight	1	S95	—	TB1/4
20687	EA1.31.705	. . . PIN, special, locking balance weight to arm	1	S95	—	TB1/5
19724	EA1.31.707	. . . PLUG, screwed, end fitting	1	S95	C/MR	TB1/6
	EA1.31.711	. . . WEIGHT, mass balance	1	GEC	—	TB1/7
43227	EA1.31.129	. . . WEIGHT, balance make-up	1	Heavy Meta GEC	—	TB1/8
21692	EA1.31.133	Attaching parts for RA1.31.129:— . . . Bolt, special	2	MS	—	TB1/9
28M/1011476	A27JS	. . . Nut, 3/8" BSF	1	—	C	TB1/10
28P/9527619	SP90C7	. . . Pin, split 1/16" dia	1	—	C	TB1/10A
1077	EEAS28/34JR	. . . Washer	1	—	C	TB1/11
2A/9500463	SKEFKO CBA2	. . . BALLRACE, elevator tab	1	—	B	TB5/1
2A/9500419	SKEFKO T.T.S8 1/2	. . . BALLRACE, tab control lever at tab torque mounting	1	—	B	TB5/2
333	EA1.31.63	. . . BOLT, special, bearing tab hinge	1	S11	C	TB5/3
10076	EA1.31.157	. . . BRACKET, link mounting Attaching parts for EA1.31.157:—	1	L40	C	TB1/12
28D/1011238	A25/5E	. . . Bolt, 1/4" BSF	2	—	C	TB1/13
28M/1011475	A27EP	. . . Nut, 1/4" BSF	2	—	C	TB1/14
28N/4043821	AGS2031/22	. . . CIRCLIP, external, 1/16" dia	1	—	C	TB5/4
28N/2001688	AGS2030/22	. . . CIRCLIP, internal 23 m/m	1	—	C	TB5/5
4157	EA1.31.11	. . . ELEVATOR, PORT, ASSEMBLY Spares for:—	1	—	—	TB3/1
336	EA1.31.79	. . . BRACKET, hinge Attaching parts for EA1.31.79:—	3	—	C	TB3/2
28D/9133012	A25/3C	. . . Bolt, 2BA	2	—	C	TB3/3
28D/9709461	AS1242/3C	. . . Bolt, 2BA	1	—	C	TB3/4
28D/1200119	A25/4C	. . . Bolt, 2BA	2	—	C	TB3/5
28D/1007976	AS1242/4C	. . . Bolt, 2BA	1	—	C	TB3/5A
28M/1012015	AGS2001C1/66	. . . Nut, 2BA	3	—	C	TB3/6
28W/5806394	SP125C	. . . Washer	3	—	C	TB3/7

TAIL UNIT  
TAILPLANE AND ELEVATORS

Ref. No.	Part No.	Description	No. off	Matl. Spec.	Cl. of Equip M.R. L.M.	Plate No.
337	EA1.31.485	COVER, hand hole	2	L72	C	TB3/8
28D/1007975	AS1242/1C	Attaching parts for EA1.31.485:— Bolt, 2BA	8	—	C	TB3/9
	EA1.31.7	HORN, ELEVATOR, PORT, ASSEMBLY	1	—	MR	TB3/10
		Spares for:—				
10016	EA1.31.51	BRACKET, horn (Pre—Alt R60/50—Mod 5099)	1	L53	C	TB3/11
6119212	EA3.31.5009	BRACKET, horn (Alt R60/50—Mod 5099)	1	DTD300	—	
1468	EEAS1/2C	SCREW, 2BA	3	S96	C	TB3/12
1029	EEAS1/4C	SCREW, 2BA	8	S96	C	TB3/13
10035	EEAS1/4½E	SCREW, ¼" BSF	16	S96	C	TB3/14
338	EA1.31.91	SPIGOT, hinge	1	S96	C	TB3/15
10036	EA3.31.25	WEIGHT, ELEVATOR, HORN BALANCE	1	—	—	TB3/16
		ASSEMBLY				
		Consisting of:—				
19726	EA3.31.29	BOLT, special	1	MS	C/MR	TB3/17
19725	EA3.31.27	DISC, balance weight	1	DTD126A	C/MR	TB3/18
19715	EA1.31.333	DISC, balance weight	QR	L64	C/MR	TB3/19
19716	EA1.31.339	HOUSING, balance weight	1	—	—	TB3/20
28W/9416198	SP42J	WASHER, tab	1	—	C	TB3/21
28W/9419477	SP15J	WASHER	QR	—	C	TB3/22
19727	EA3.31.39	WEIGHT, mass balance	1	S92	C/MR	TB3/23
19728	EA3.31.41	WEIGHT, mass balance	QR	S92	C/MR	TB3/24
10050	EA1.31.83	HOUSING, bearing tab spar	1	L40	C	TB3/25
		Attaching parts for EA1.31.83:—				
28M/1006473	A27CT	Nut, 2BA	4	—	C	TB3/25A
1468	EEAS1/2C	Screw, 2BA	4	—	C	TB3/28
28W/9419404	SP16C	Washer	4	—	C	TB3/28A
1531	EA1.31.679	MEMBER, trailing edge	1	L72	C/MR	TB3/26
10061	EA1.31.325	PACKING, trailing edge	8	Balsa Wood	C	TB3/27
1033	EEAS1/2½E	SCREW, ¼" BSF	6	S11	C	TB3/29
10012	EA1.31.15	SPAR ELEVATOR, MAIN, PORT, ASSEMBLY	1	—	MR	TB1/15
		Spares for:—				
	EA1.31.249	BLOCK, support	1	—	C	TB6/17B
		Attaching parts for EA1.31.249:—				
28D/9140645	A25/10C	Bolt, 2BA	2	—	C	TB6/17C
28M/9403520	A27CP	Nut, 2BA	2	—	C	TB6/17D
28W/9419404	SP16C	Washer	2	—	C	TB6/17E
5206	EA1.31.169	BRACKET, C/W BALLRACE, ASSEMBLY	1	—	B	TB1/16
		Consisting of:—				
2A/9500419	T.T.S8½	BALLRACE	1	—	B	TB1/17
1042	EEAS3K	HOUSING	1	—	C	TB1/18
	EA1.31.169A	PLATE	1	L40	—	TB1/19
		Attaching parts for EA1.31.169:—				
28D/1215330	AS1246/4E	Bolt, ¼" BSF	2	—	C	TB1/20
28M/1011475	A27EP	Nut, ¼" BSF	2	—	C	TB1/21
28W/9419405	SP15E	Washer	2	—	C	TB1/22

TAIL UNIT  
TAILPLANE AND ELEVATORS

Ref. No.	Part No.	Description	No. off	Matl. Spec.	Cl. of Equip M.R. L.M.	Plate No.
19707	EA1.31.53	. . . . BRACKET, hinge, elevator, centre (Pre-Alt R60/72-Mod 5099)	1	L53	C	TB6/4
6119214	EA3.31.5007	. . . . BRACKET, hinge, elevator, centre (Alt R60/72-Mod 5099) Attaching parts for EA1.31.53 or EA3.31.5007 (Mod 4160-Part A):-	1	DTD300	C	
28D/1200119	A25/4C	. . . . Bolt, 2BA	4	—	C	TB6/5
28D/1013172	AS1242/5C	. . . . Bolt, 2BA	4	—	C	TB6/6
28M/9403520	A27CP	. . . . Nut, 2BA	6	—	C	TB6/7
1107	EEAS41/8	. . . . Pin, sealing	2	—	C	
	EA9.31.89	. . . . Shim (Mod 4160) (Make from 30B/9611322)	2	—	LM	TB6/11
	EA9.31.91	. . . . Shim (Mod 4160) (Make from 30B/9611322) Attaching parts for EA1.31.53 or EA3.31.5007 (Mod 4160-Part B):-	2	—	LM	TB6/12
28D/1008151	A25/4E	. . . . Bolt, 1/4" BSF (Mod 4160)	4	—	C	
28D/1204937	AS1242/6C	. . . . Bolt, 2BA	4	—	C	
28M/1012015	AGS2001C1/66	. . . . Nut, 2BA	4	—	C	
	EA9.31.89	. . . . Shim (Mod 4160) (Make from 30B/9611322)	2	—	LM	
	EA9.31.91	. . . . Shim (Mod 4160) (Make from 30B/9611322)	2	—	LM	
28W/1009699	SP55C	. . . . Washer (Mod 4160)	4	—	C	
19717	EA3.31.421	. . . . BUSH, balance weight arm	1	S95	C/MR	TB1/23
19711	EA1.31.149	. . . . HINGE, elevator, inboard Attaching parts for EA1.31.149:-	1	L45	C/MR	TB1/24
1091	EEAS37/8A	. . . . Nipple	8	S11	C	TB1/25
1571	EEAS38/2A	. . . . Spoke, 4BA (Make from Ref 28R/6124)	4	S11	LM	TB1/26
6940	EA1.31.317	. . . . MOUNTING, TAB TORQUE, TUBE, ASSEMBLY Spares for:-	1	—	C	TB6/13
13245	EA1.31.215	. . . . LEVER, stop pin	1	S11	C	TB6/14
28P/9527619	SP90C9	. . . . PIN, split Attaching parts for EA1.31.317:-	1	—	C	TB6/15
28D/9133011	A25/2C	. . . . Bolt, 1/4" BSF	1	—	C	TB6/16
28M/4686744	A29ES	. . . . Nut, 1/4" BSF	1	—	C	TB6/17
28P/1202558	SP90A7	. . . . Pin split 1/32" dia	1	—	C	TB6/17A
5032	EA1.31.303	. . . . Shim	1	Alum	C	TB6/18
28W/9419405	SP15E	. . . . Washer	1	—	C	TB6/19
338	EA1.31.91	. . . . SPIGOT, hinge Attaching parts for EA1.31.91:-	1	S11	C	TB6/20
28M/4095922	A29NS	. . . . Nut, 1/2" BSF	1	—	C	TB6/8
28P/9560929	SP90E8	. . . . Pin, split 3/32" dia	1	—	C	TB6/10

TAIL UNIT  
TAILPLANE AND ELEVATORS

Ref. No.	Part No.	Description	No. off	Matl. Spec.	Cl. of Equip M.R. L.M.	Plate No.
5982	EA1.31.159	. . . LEVER, elevator coupling, assembly (Pre—Mod 2705)	1	—	C	TB1/28
37749	EA9.31.45	. . . LEVER, elevator coupling, assembly (Mod 2705)	1	—	C	
		Attaching parts for EA1.31.159 or EA9.31.45:—				
28D/1011242	A25/7E	. . . Bolt, 1/4" BSF	4	—	C	TB1/29
28D/1010031	A25/8E	. . . Bolt, 1/4" BSF	5	—	C	TB1/30
28M/1011475	A27EP	. . . Nut, 1/4" BSF	9	—	C	TB1/31
2115	EA1.31.691	. . . LEVER, elevator tab operating Attaching parts for EA1.31.691:—	1	L40	C	TB5/7
28D/1011019	A25/8C	. . . Bolt, 2BA	1	—	C	TB5/9
28M/1278190	AGS2002C1	. . . Nut, 2BA	1	—	C	TB5/10
10077	EA1.31.155	. . . LINK, restricting, operating lever travel Attaching parts for EA1.31.155:—	2	L72	C	TB1/32
		Collar 5/16" i/d	2	—	C	TB1/33
28N/9153394	AGS899/6	. . . Pin	1	—	C	TB1/34
28P/4670258	SP4YF11	. . . Pin	1	—	C	TB1/35
28P/1007738	SP4YF13	. . . Pin, split 3/32" x 3/4"	2	—	C	TB1/36
28P/1221260	SP90E6	. . . Washer	2	—	C	TB1/37
28W/9419476	SP15G					
28M/1011470	A27GT	. . . NUT, 5/16" BSF	1	—	C	TB5/21
2106	EA1.31.211	. . . NUT, special clamp torque tube	1	S1	C	TB5/14
340	EA1.31.363	. . . PLUG, elevator mechanism inspection	2	—	C	TB5/15
25608	EA3.30.273	. . . ROD, CONNECTING, BETWEEN ELEVATOR TAB AND OPERATING LEVER ASSEMBLY (PRE—MOD 4930)	1	—	B	TB5/16
6051428	EA3.30.411	. . . ROD, CONNECTING, BETWEEN ELEVATOR TAB AND OPERATING LEVER ASSEMBLY (MOD 4930) Spares for:—	1	—	B	
395	EA1.31.99	. . . ROD-END	1	DTD683	C	TB5/17
342	EA1.31.101	. . . ROD-END, assembly Attaching parts for EA3.30.273 or EA3.30.411:—	1	—	C	TB5/18
328	EA1.31.65	. . . Bolt, special, connecting rod bearing	2	S65	C	TB5/19
28M/5808573	A27CS	. . . Nut, 2BA	2	—	C	TB5/20
28P/9527619	SP90C7	. . . Pin, split 1/16" dia	2	—	C	TB5/11
22976	EEAS27/8/4	. . . Shim, washer	1	—	C	TB5/22
28W/9419475	SP15C	. . . Washer	2	—	C	TB5/23
28W/9419404	SP16C	. . . Washer	2	—	C	TB5/24

## TAILPLANE AND ELEVATORS

Ref. No.	Part No.	Description	No. off	Matl. Spec.	Cl. of Equip M.R. L.M.	Plate No.
28R/4707604	HOFFMANN CF2 or RANSOME & MARLES CM3/16C	. . . ROD-END, assembly	1	—	C	TB5/6
3369	EA1.31.5	. . . ROD-END, ASSEMBLY	1	—	C	
34718	EA3.31.125	. . . TAB ELEVATOR, PORT, ASSEMBLY (PRE—MOD 4077)	1	—	A	TB4/2
1439173	EA3.00.1073	. . . TAB ELEVATOR, PORT, ASSEMBLY (MOD 4077) (PRE—MOD 4478)	1	—	A	
6051070	EA3.00.5377	. . . TAB ELEVATOR, PORT, ASSEMBLY (MOD 4478) (PRE—MOD 4853)	1	—	A	
6119220	EA3.00.5401	. . . TAB ELEVATOR, PORT, ASSEMBLY (MOD 4853) (PRE—MOD 5043)	1	—	A	
4679	EA3.31.53	. . . Spares for:— ARM, support balance weight Attaching parts for EA3.31.53:—	8	L40	C/MR	TB4/3
28M/4095912	A29EP	. . . Nut, 1/4" BSF	1	—	C	TB4/4
19714	EA1.31.269	. . . Tube, distance	1	—	C	TB4/4A
28W/9419487	SP16E	. . . Washer	1	—	C	TB4/5
28W/9419405	SP15E	. . . Washer	1	—	C	TB4/6
4162	EA1.31.49	. . . FITTING, tab hinge, inter, inboard	1	L65	—	TB4/7
4155	EA1.31.55	. . . FITTING, tab hinge, inter, outboard	1	L65	—	TB4/8
4163	EA1.31.57	. . . FITTING, tab hinge, inboard end	1	—	C/MR	TB4/9
4164	EA3.31.23	. . . FITTING, tab hinge, outboard end	1	L40	C/MR	TB4/10
334	EA1.31.61	. . . PIN, special tab bearing Attaching parts for EA1.31.61:—	3	S11	C	TB4/11
28M/1007403	A27ET	. . . Nut, 1/4" BSF	1	—	C	TB4/11A
37485	EA1.31.445	. . . WEIGHT, balance	2	—	C	TB4/12
26677	EA1.31.355	. . . WEIGHT, balance Attaching parts for EA1.31.445 & EA1.31.355:—	2	—	C	TB4/12A
4160	EA1.45.49	. . . Bolt, special	2	S1	C/MR	TB4/13
343	EA1.31.277	. . . Shim	1	Alum	C	TB4/14
12945	EA3.31.117	. . . TORQUE TUBE AND BLOW BACK ROD ASSEMBLY Consisting of:—	1	—	A	TB5/25
5983	EA1.31.167	. . . BRACKET, torque tube bearing	1	—	B/MR	TB5/26
5984	EA1.31.443	. . . LEVER, operating Attaching parts for EA1.31.443:—	1	—	B/MR	TB5/27
1030	EEAS1/5C	. . . Bolt, 2BA	4	S11	C	TB5/28
28M/5808573	A27CS	. . . Nut, 2BA	4	MS	C	TB5/29
28P/9527619	SP90C7	. . . Pin, split 1/16" dia	4	—	C	TB5/29A
28W/9419475	SP15C	. . . Washer	4	—	C	TB5/30

TAIL UNIT  
TAILPLANE AND ELEVATORS

Ref. No.	Part No.	Description	No. off	Matl. Spec.	Cl. of Equip	Plate No.
					M.R. L.M.	
		1 2 3 4 5 6				
2108	EA1.31.199	. . . TUBE, torsion, assembly	1	—	B/MR	TB5/31
2107	EA1.31.193	. . . ROD, blow back, assembly	1	—	B/MR	TB5/32
		Attaching parts for EA1.31.193:—				
28M/4095920	A29JS	. . . Nut, 3/8" BSF	1	—	C	TB5/33
28P/9527619	SP90C7	. . . Pin, split 1/16" dia	1	—	C	TB5/33A
		Attaching parts for EA3.31.117:—				
28D/1011240	A25/5E	. . . Bolt, 1/4" BSF	2	—	C	TB5/34
28M/1011467	A27ES	. . . Nut, 1/4" BSF	2	—	C	TB56/35
28P/9527619	SP90C7	. . . Pin, split 1/16" dia	2	—	C	TB5/35A
2992	EA1.31.3	. . . ELEVATOR, C/W TAB, STARBOARD, ASSEMBLY (PRE—MOD 4478)	1	—	A	TB2/1
1439169	EA3.00.1067	. . . ELEVATOR, C/W TAB, STARBOARD, ASSEMBLY (MOD 4478) (PRE—MOD 4853)	1	—	A	
6051071	EA3.00.5371	. . . ELEVATOR, C/W TAB, STARBOARD, ASSEMBLY (MOD 4853) (PRE—MOD 5043)	1	—	A	
	EA3.00.5395	. . . ELEVATOR, C/W TAB, STARBOARD, ASSEMBLY (MOD 5043)	1	—	—	
		Spares for:—				
2920	EA1.31.710	. . . ARM, MASS BALANCE ELEVATOR, ASSEMBLY	1	—	—	TB2/2
		Consisting of:—				
21988	EA1.31.713	. . . ARM, balance weight	1	S95	—	TB2/3
20687	EA1.31.705	. . . PIN, special locking balance weight to arm	1	S95	—	TB2/4
19724	EA1.31.707	. . . PLUG, screwed, end fitting	1	S95	C/MR	TB2/5
	EA1.31.712	. . . WEIGHT, mass balance	1	GEC	—	TB2/6
43227	EA1.31.129	. . . WEIGHT, balance make-up	1	Heavy Metal GEC	—	TB2/7
		Attaching parts for EA1.31.129:—				
21692	EA1.31.133	. . . Bolt, special	2	MS	—	TB2/8
		Attaching parts for EA1.31.710:—				
28M/1011476	A27JS	. . . Nut, 3/4" BSF	1	—	C	TB2/9
28P/9527619	SP90C7	. . . Pin, split 1/16" dia	1	—	C	TB2/9A
1077	EEAS28/34JF	. . . Washer	1	—	C	TB2/10
	SKEFKO					
2A/9500463	CBA2	. . . BALLRACE, elevator tab	1	—	B	TB5/1
333	EA1.31.63	. . . BOLT, special, bearing tab hinge	1	S11	C	TB5/3
346	EA1.31.275	. . . BOLT, special stop	1	L40	C	TB2/11
28N/2001688	AGS2030/22	. . . CIRCLIP, internal, 23 m/m	1	—	C	TB5/5
4158	EA1.31.13	. . . ELEVATOR, STARBOARD, ASSEMBLY	1	—	MR	TB2/12
		Spares for:—				
336	EA1.31.79	. . . BRACKET, hinge	3	—	C	TB3/2
		Attaching parts for EA1.31.79:—				
28D/9133012	A25/3C	. . . Bolt, 2BA	1	—	—	TB3/3
28D/9709461	AS1242/3C	. . . Bolt, 2BA	1	—	C	TB3/4
28M/1012015	AGS2001C1/66	. . . Nut, 2BA	2	—	C	TB3/5
28W/9419404	SP16C	. . . Washer	1	—	C	TB3/7
28W/9419475	SP15C	. . . Washer	1	—	C	TB3/6

## TAIL UNIT

## TAILPLANE AND ELEVATORS

Ref. No.	Part No.	Description	No. off	Matl. Spec.	Cl. of Equip M.R. L.M.	Plate No.
337	EA1.31.485	. . . COVER, hand hole	1	L72	C	TB3/8
	AS1242C1	. . . Attaching parts for EA1.31.485:— Screw, 2BA	8	—	C	TB3/9
41981	EA1.31.8	. . . HORN, ELEVATOR, ASSEMBLY	1	—	MR	TB3/30
		Spares for:—				
10017	EA1.31.52	. . . BRACKET, horn (Pre—Alt R60/50—Mod 5099)	1	L53	MR	TB3/31
6119213	EA3.31.5010	. . . BRACKET, horn (Alt R60/50—Mod 5099)	1	DTD300	MR	
1468	EEAS1/2C	. . . SCREW, 2BA	3	S96	C	TB3/12
1029	EEAS1/4C	. . . SCREW, 2BA	8	S96	C	TB3/13
338	EA1.31.91	. . . SPIGOT, hinge	1	S11	C	TB3/15
10036	EA3.31.25	. . . WEIGHT, ELEVATOR HORN BALANCE	1	—	MR	TB3/16
		ASSEMBLY				
		Consisting of:—				
19726	EA3.31.29	. . . BOLT, special	1	MS	C/MR	TB3/17
19725	EA3.31.27	. . . DISC, balance weight	1	DTD126A	C	TB3/18
19715	EA1.31.333	. . . DISC, balance weight	QR	L64	C/MR	TB3/19
19716	EA1.31.339	. . . HOUSING, balance weight	1	—	MR	TB3/20
28W/9416198	SP42J	. . . WASHER, tab	1	—	C	TB3/21
28W/9419477	SP15J	. . . WASHER	QR	—	C	TB3/22
19727	EA3.31.39	. . . WEIGHT, mass balance	1	S92	C/MR	TB3/23
19728	EA3.31.41	. . . WEIGHT, mass balance	QR	S92	C/MR	TB3/24
10050	EA1.31.83	. . . HOUSING, bearing, tab spar	1	L40	C/MR	TB3/25
		Attaching parts for EA1.31.83:—				
28M/1006473	A27CT	. . . Nut, 2BA	4	—	C	TB3/25A
1468	EEAS1/2C	. . . Screw, 2BA	4	—	C	TB3/28
28W/9419404	SP16C	. . . Washer	4	—	C	TB3/28A
1531	EA1.31.679	. . . MEMBER, trailing edge	1	L72	C/MR	TB3/26
10061	EA1.31.325	. . . PACKING, trailing edge	8	Balsa Wood	C	TB3/27
1033	EEAS1/2½E	. . . SCREW, ¼" BSF	6	S11	C	TB3/29
10079	EA1.31.17	. . . SPAR, ELEVATOR, MAIN, STARBOARD	—	—	—	
		ASSEMBLY				
		Spares for:—				
19707	EA1.31.53	. . . BRACKET, hinge elevator, centre (Pre—Alt R60/72—Mod 5099)	1	L53	C	TB6/4
6119214	EA3.31.5007	. . . BRACKET, hinge elevator, centre (Alt R60/72—Mod 5099)	1	DTD300	C	
		Attaching parts for EA1.31.53 or EA3.31.5007 (Mod 4160—Part A):—				
28D/1200119	A25/4C	. . . Bolt, 2BA	4	—	C	TB6/5
28D/1013172	AS1242/5C	. . . Bolt, 2BA	4	—	C	TB6/6
28M/9403520	A27CP	. . . Nut, 2BA	6	—	C	TB6/7
1107	EEAS41/8	. . . Pin, sealing	2	—	C	
	EA9.31.89	. . . Shim (Mod 4160) (Make from 30B/9611322)	2	—	LM	TB6/11
	EA9.31.91	. . . Shim (Mod 4160) (Make from 30B/9611322)	2	—	LM	TB6/12
		Attaching parts for EA1.31.53 or EA3.31.5007 (Mod 4160—Part B):—				
28D/1008151	A25/4E	. . . Bolt, ¼" BSF (Mod 4160)	4	—	C	
28D/1204937	AS1242/6C	. . . Bolt, 2BA	4	—	C	
28M/1012015	AGS2001C1/66	. . . Nut, 2BA	4	—	C	
	EA9.31.89	. . . Shim (Mod 4160) (Make from 30B/9611322)	2	—	LM	
	EA9.31.91	. . . Shim (Mod 4160) (Make from 30B/9611322)	2	—	LM	
28W/1009699	SP55C	. . . Washer (Mod 4160)	4	—	C	

TAIL UNIT  
TAILPLANE AND ELEVATORS

Ref. No.	Part No.	Description	No. off	Matl. Spec.	Cl. of Equip M.R. L.M.	Plate No.
19717	EA1.31.421	. . . . BUSH, balance weight arm	1	S95	C/MR	TB2/14
5207	EA1.31.151	. . . . HINGE, elevator, inboard Attaching parts for EA1.31.151:—	1	L45	C	TB2/15
1091	EEAS37/8A	. . . . Nipple, 4BA	8	S11	C	TB2/16
1571	EEAS38/2A	. . . . Spoke, 4BA (Make from Ref 28R/6124)	4	S11	LM	TB2/17
338	EA1.31.91	. . . . SPIGOT, hinge Attaching parts for EA1.31.91:—	1	S11	C	TB6/20
28M/4095922	A29NS	. . . . Nut, 1/2" BSF	1	—	C	TB6/8
28P/9560929	SP90E8	. . . . Pin, split 3/32" dia	1	—	C	TB6/10
21456	EA1.31.351	. . . LEVER, stop, coupling arm attachment Attaching parts for EA3.31.351:—	1	DTD683	C	TB2/18
28D/1011256	A25/5G	. . . Bolt, 3/16" BSF	3	—	C	TB2/19
28M/1011470	A27/GT	. . . Nut, 3/16" BSF	3	—	C	TB2/20
10091	EA1.31.271	. . . LEVER, COUPLING, CONTROL, ASSEMBLY (PRE—MOD 2705)	1	—	B	TB2/31
37750	EA9.31.47	. . . LEVER, COUPLING, CONTROL, ASSEMBLY (MOD 2705) Consisting of:—	1	—	B	
346	EA1.31.275	. . . BOLT, special stop	1	L40	C	TB2/32
5982	EA1.31.159	. . . LEVER, elevator coupling (Pre—Mod 2705)	1	—	C	TB2/33
37749	EA9.31.45	. . . LEVER, elevator coupling (Mod 2705)	1	—	C	
28M/1007404	A27JT	. . . NUT, 3/16" BSF Attaching parts for EA1.31.271 or EA9.31.47:—	1	—	C	TB2/30
28D/1011242	A25/7E	. . . Bolt, 1/4" BSF	4	—	C	TB2/35
28D/1010031	A25/8E	. . . Bolt, 1/4" BSF	5	—	C	TB2/36
28M/1011475	A27/EP	. . . Nut, 1/4" BSF	9	—	C	TB2/37
340	EA1.31.363	. . . PLUG, elevator, mechanism inspection	2	—	C	TB2/38
2922	EA1.31.105	. . . ROD, connecting, elevator tab gear Attaching parts for EA1.31.105:—	1	—	C	TB6/21
328	EA1.31.65	. . . Bolt, special, connecting rod bearing	1	—	C	TB6/22
28M/5808573	A27CS	. . . Nut, 2BA	1	—	C	TB6/23
28P/9486478	SP90C5	. . . Pin, split 1/16" dia	1	—	C	TB6/24
22976	EEAS27/8/4	. . . Shim, washer	1	—	C	TB6/25
28W/9419475	SP15C	. . . Washer	1	—	C	TB6/26
28W/9419404	SP16C	. . . Washer	1	—	C	TB6/27
3370	EA1.31.6	. . . TAB, ELEVATOR, STARBOARD, ASSEMBLY (PRE—MOD 4078)	1	—	A	TB4/16
34719	EA3.31.127	. . . TAB, ELEVATOR, STARBOARD, ASSEMBLY (MOD 4078) (PRE—MOD 4478)	1	—	A	
1439174	EA3.00.1075	. . . TAB, ELEVATOR, STARBOARD, ASSEMBLY (MOD 4478) (PRE—MOD 4853)	1	—	A	
6051072	EA3.00.5379	. . . TAB, ELEVATOR, STARBOARD, ASSEMBLY (MOD 4853) (PRE—MOD 5043)	1	—	A	
6119222	EA3.00.5403	. . . TAB, ELEVATOR, STARBOARD, ASSEMBLY (MOD 5043) Spares for:—	1	—	A	
4679	EA3.31.53	. . . ARM, support, balance weight Attaching parts for EA3.31.53:—	12	L40	C/MR	TB4/3
28M/4095912	A29EP	. . . Nut, 1/4" BSF	1	—	C	TB4/4
28W/9419405	SP15E	. . . Washer	1	—	C	TB4/5
28W/9419487	SP16E	. . . Washer	1	—	C	TB4/6

## TAILPLANE AND ELEVATORS

Ref. No.	Part No.	Description	No. off	Matl. Spec.	Cl. of Equip M.R. L.M.	Plate No.
4161	EA1.31.50	. . . FITTING, tab hinge, inter, inboard	1	L40	C/MR	TB4/17
4155	EA1.31.55	. . . FITTING, tab hinge, inter, outboard	1	L40	C/MR	TB4/18
4164	EA3.31.23	. . . FITTING, tab hinge, outboard end	1	—	C/MR	TB4/10
4165	EA1.31.449	. . . FITTING, tab hinge, inboard end	1	—	C/MR	TB4/19
334	EA1.31.61	. . . PIN, special, tab bearing	3	S11	C	TB4/11
26677	EA1.31.355	. . . WEIGHT, balance, inboard	2	—	C	TB4/20
38027	EA1.31.353	. . . WEIGHT, balance, outboard	4	—	—	TB4/21
		Attaching parts for EA1.31.355 & EA1.31.353:—				
4160	EA1.45.49	. . . Bolt, special	2	S1	C/MR	TB4/13
22976	EEAS27/8/4	. . . Shim, washer	1	—	C	TB4/14
3075	EA1.30.1147	. FAIRING, DETACHABLE, PORT, ASSEMBLY (PRE—MOD 1277)	1	—	B	TB7/1
13125	EA9.00.377	. FAIRING, DETACHABLE, PORT, ASSEMBLY (MOD 1277)	1	—	B	
		Spares for:—				
3085	EA1.30.1107	. . . PANEL, access	1	L72	C	TB7/3
		Attaching parts for EA1.30.1107:—				
28S/9435716	A33B12	. . . Screw, 4BA	8	—	C	TB7/4
24752	EA3.30.267	. . . PLATE, insert	1	—	—	TB7/5
24715	EA9.30.39	. . . SEAL, spring	1	—	C	TB7/7
3076	EA1.30.1148	. FAIRING, DETACHABLE, STARBOARD, ASSEMBLY (PRE—MOD 1277)	1	—	B	TB7/2
13126	EA9.00.378	. FAIRING, DETACHABLE, STARBOARD, ASSEMBLY (MOD. 1277)	1	—	B	
		Spares for:—				
3085	EA1.30.1107	. . . PANEL, access	1	L72	C	TB7/3
		Attaching parts for EA1.30.1107:—				
28S/9435716	A33B12	. . . Screw, 4BA	8	—	C	TB7/4
24753	EA3.30.268	. . . PLATE, insert	1	—	—	TB7/6
24716	EA9.00.40	. . . SEAL, spring	1	—	C	TB7/8
		Attaching parts for EA1.30.1147 or EA9.00.377 & EA1.30.1148 or EA9.00.378:—				
28D/9133012	A25/3C	. Bolt, 2BA	2	—	C	TB7/9
28S/1200053	A33C16	. Screw, 2BA	4	—	C	TB7/10
3383	EA3.31.43	. LINK, connecting	1	DTD683	C	TB6/28
		Attaching parts for EA3.31.43:—				
28D/1202326	A25/14J	. Bolt, 3/8" BSF	1	—	C	TB6/29
3385	EA3.31.45	. Bolt, special	1	S95	C	TB6/1
28M/1011476	A27JS	. Nut, 3/8" BSF	2	—	C	TB6/30
28P/9527619	SP90C7	. Pin, split 1/16" dia	2	—	C	TB6/30A
28W/9419489	SP16J	. Washer	1	—	C	TB6/31
360	EA1.31.165	. Washer	2	—	C	TB6/31A

TAIL UNIT  
TAILPLANE AND ELEVATORS

Ref. No.	Part No.	Description	No. off	Matl. Spec.	Cl. of Equip M.R. L.M.	Plate No.
28M/1007404	A27JT-	. NUT, 3/8" BSF	1	—	C	TB6/34A
28M/4095942	A27JTL	. NUT, 3/8" BSF	1	—	C	TB6/34B
28M/4095949	A27NC	. NUT, 1/2" BSF	2	—	C	TB6/32
28M/4095947	A58ES	. NUT, 1/4" BSF	1	—	C	TB6/38
28P/9527619	SP90C7	. PIN, split, 1/16" dia	1	—	C	TB6/39
28P/9560929	SP90E8	. PIN, split, 3/32" dia	2	—	C	TB9/33
3384	EA3.31.49	. PLATE, locking Attaching parts for EA3.31.49:—	1	S95	C	TB6/32
28S/1200053	A33C16	. Screw, 2BA	1	—	C	TB6/33
10990	EA1.31.279	. ROD-END, assembly	1	—	C	TB6/34
31468	EB8.31.31	. SCREW, special, connecting	1	—	C	TB6/35
31025	EA9.00.131	. TAILPLANE, ASSEMBLY Spares for:—	1	—	—	TB7/35
24697	EA9.30.9	. . . BLOCK	1	—	C	TB7/36
24698	EA9.30.10	. . . BLOCK	1	—	C	TB7/37
24699	EA9.30.11	. . . BLOCK	1	—	C	TB7/38
24700	EA9.30.12	. . . BLOCK	1	—	C	TB7/39
24705	EA9.30.17	. . . BLOCK	1	—	C	TB7/40
24706	EA9.30.18	. . . BLOCK	1	—	C	TB7/41
24707	EA9.30.19	. . . BLOCK	1	—	C	TB7/42
24708	EA9.30.20	. . . BLOCK	1	—	C	TB7/43
24701	EA9.30.13	. . . PACKING	1	—	C	TB7/44
24702	EA9.30.14	. . . PACKING	1	—	C	TB7/45
24703	EA9.30.15	. . . PACKING	1	—	C	TB7/46
24704	EA9.30.16	. . . PACKING	1	—	C	TB7/47
24709	EA9.30.21	. . . PACKING	1	—	C	TB7/48
24710	EA9.30.22	. . . PACKING	1	—	C	TB7/49
24711	EA9.30.23	. . . PACKING	1	—	C	TB7/50
24712	EA9.30.24	. . . PACKING	1	—	C	TB7/51
24750	EA3.30.265	. . . PLATE, insert	1	—	C	TB7/52
24751	EA3.30.266	. . . PLATE, insert	1	—	C	TB7/53
24713	EA9.30.35	. . . SEAL, spring, assembly	1	—	C	TB7/54
24714	EA9.30.36	. . . SEAL, spring, assembly	1	—	C	TB7/55
	EB6.30.1	. . . TAILPLANE, ASSEMBLY Spares for:—	1	—	A	TB7/11
4175	EA1.30.297	. . . BOLT, special, mounting between main spar and tailplane structure, bottom, port and starboard	4	S65	C/MR	TB7/12
4176	EA1.30.299	. . . BOLT, special, mounting between main spar and tailplane structure, top, port and starboard	4	S65	C/MR	TB7/13
28D/1011311	A25/10L	. . . BOLT, special jointing, at rib 1 to main spar bracket	4	—	C/MR	TB7/14
4386	EA1.30.323	. . . BOLT, special jointing at rib 1 to main spar bracket	4	S11	C/MR	TB7/15
10919	EA1.30.413	. . . BRACKET, TAILPLANE ACTUATOR CHANNEL ASSEMBLY Spares for:—	1	—	C	TB8/1
21663	EA1.30.407	. . . . . BLOCK, bearing	1	—	MR	TB8/2
21664	EA1.30.408	. . . . . BLOCK, bearing Attaching parts for EA1.30.407 & EA1.30.408:—	1	—	MR	TB8/3
21343	EA1.30.379	. . . . . Bolt, special, 1/4" BSF	2	S65	MR	TB8/4
28M/1011475	A27EP	. . . . . Nut, 1/4" BSF	2	—	C	TB8/5
28W/9419487	SP16E	. . . . . Washer	2	—	C	TB8/6

## TAILPLANE AND ELEVATORS

Ref. No.	Part No.	Description 1 2 3 4 5 6	No. off	Matl. Spec.	Cl. of Equip M.R. L.M.	Plate No.
352	EA1.30.279	. . . . . BUSH, bearing	2	S1	C	TB8/7
	EA1.30.409	. . . . . CHANNEL	1	—	C	TB8/7A
	EA1.30.411	. . . . . CHANNEL	1	—	C	TB8/7B
353 28P/9534222 33683	EA1.30.277	. . . . . PIN, attachment	1	S11	C	TB8/8
	SP90H7	. . . . . PIN, split, 1/32" dia	1	—	C	TB8/8A
	EA1.30.5	. . . . . EDGE, LEADING, TAILPLANE, PORT, ASSEMBLY (Supplied to drg. No. EA9.00.23 for spares purposes)	1	—	C	TB7/16
32323	EA1.30.6	. . . . . EDGE, LEADING, TAILPLANE, STARBOARD, ASSEMBLY (Supplied to drg. No. EA9.00.24 for spares purposes)	1	—	B	TB7/18
	EA1.30.7	. . . . . EDGE, TRAILING, TAILPLANE, PORT, ASSEMBLY Spares for:—	1	—	MR	TB8/9
354	EA1.30.49	. . . . . BRACKET, HINGE, ELEVATOR, OUTBOARD, ASSEMBLY Spares for:—	1	—	B	TB8/10
2A/9500441 355 1774	SKEFKO BAL 1/2	. . . . . BALLRACE	1	BSS292	C	TB8/11
	EA1.30.401	. . . . . HOUSING, ballrace	1	DTD683	C	TB8/12
	EEAS4/20G	. . . . . WASHER, packing, 20 SWG Attaching parts for EA1.30.49:—	1	L72	C	TB8/13
28D/1200119 28D/1013178 28M/9403520 28M/1011475 21265	A25/4C	. . . . . Bolt, 2BA	2	—	C	TB8/14
	AS1242/5E	. . . . . Bolt, 1/4" BSF	4	—	C	TB8/15
	A27CP	. . . . . Nut, 2BA	2	—	C	TB8/16
	A27EP	. . . . . Nut, 1/4" BSF	4	—	C	TB8/17
	EA1.30.257	. . . . . Washer, packing	4	—	C	TB8/17A
356	EA1.30.117	. . . . . BRACKET, HINGE, ELEVATOR, CENTRE, PORT, ASSEMBLY Spares for:—	1	—	B	TB8/18
2A/9500441 357	SKEFKO BAL 1/2	. . . . . BALLRACE	1	BSS292	C	TB8/19
	EA1.30.399	. . . . . HOUSING, ballrace Attaching parts for EA1.30.117:—	1	DTD683	C	TB8/20
	EA1.30.121	. . . . . Bolt, special	2	S11	C/MR	TB8/21
10962 28M/1011467 28P/9527619	A27ES	. . . . . Nut, 1/4" BSF	2	—	C	TB8/22
	SP90C7	. . . . . Pin, split, 1/16" dia	2	—	C	TB8/22A
12920	EA1.30.383	. . . . . CUP, sealing, elevator lock recess	2	L40	C	TB8/23

TAIL UNIT  
TAILPLANE AND ELEVATORS

Ref. No.	Part No.	Description	No. off	Matl. Spec.	Cl. of Equip M.R. L.M.	Plate No.
	EA1.30.8	EDGE, TRAILING, TAILPLANE, STARBOARD, ASSEMBLY	1	—	—	TB8/24
354	EA1.30.49	Spares for:— BRACKET, HINGE, ELEVATOR OUTBOARD, ASSEMBLY	1	—	B	TB8/10
	SKEFKO	Consisting of:—				
2A/9500441	BAL 1/2	BALLRACE	1	BSS292	C	TB8/11
355	EA1.30.401	HOUSING, ballrace	1	DTD683	C	TB8/12
1774	EEAS4/20G	WASHER, packing	1	L72	C	TB8/13
		Attaching parts for EA1.30.49:—				
28D/1200119	A25/4C	Bolt, 2BA	2	—	C	TB8/14
28D/1013178	AS1242/5E	Bolt, 1/4" BSF	4	—	C	TB8/15
28M/9403520	A27CP	Nut, 2BA	2	—	C	TB8/16
28M/1011475	A27EP	Nut, 1/4" BSF	4	—	C	TB8/17
21265	EA1.30.257	Washer, packing	4	—	C	TB8/17A
356	EA1.30.117	BRACKET, HINGE, ELEVATOR CENTRE, STARBOARD, ASSEMBLY	1	—	B	TB8/18
	SKEFKO	Consisting of:—				
2A/9500441	BAL 1/2	BALLRACE	1	BSS292	C	TB8/19
357	EA1.30.399	HOUSING, ballrace	1	DTD683	C	TB8/20
		Attaching parts for EA1.30.117:—				
10962	EA1.30.121	Bolt, special	2	S11	C/MR	TB8/21
28M/1011467	A27ES	Nut, 1/4" BSF	2	—	C	TB8/22
28P/9527619	SP90C7	Pin, split 1/16" dia	2	—	C	TB8/22A
21569	EA1.30.315	BRACKET, operating tab	1	—	MR	TB9/1
		Attaching parts for EA1.30.315:—				
21573	EA1.30.313	Bolt, special	2	S11	C	TB9/2
28M/1011467	A27ES	Nut, 1/4" BSF	2	—	C	TB9/3
28P/9527619	SP90C7	Pin, split, 1/16" dia	2	—	C	TB9/3A
5178	EA1.30.291	BRACKET, stop, elevator, lower	1	—	C	TB9/4
		Attaching parts for EA1.30.291:—				
28D/9140203	AS1246/3C	Bolt, 2BA	4	—	C	TB9/5
28M/1012015	AGS2001C1/66	Nut, 2BA	4	—	C	TB9/6
28W/9419404	SP16C	Washer	4	—	C	TB9/7
5177	EA1.30.293	BRACKET, stop, elevator, upper	1	—	C	TB9/8
		Attaching parts for EA1.30.293:—				
28D/9140203	AS1246/3C	Bolt, 2BA	4	—	C	TB9/9
28M/1012015	AGS2001C1/66	Nut, 2BA	4	—	C	TB9/10
28W/9419404	SP16C	Washer	4	—	C	TB9/11

TAIL UNIT  
TAILPLANE AND ELEVATORS

Ref. No.	Part No.	Description	No. off	Matl. Spec.	Cl. of Equip M.R. L.M.	Plate No.
12920	EA1.30.383	. . . . CUP, sealing elevator lock recess	2	L40	C	TB8/23
38088	EA1.30.389	. . . . FAIRING, assembly, port	1	—	C/MR	TB8/28
38089	EA1.30.390	. . . . FAIRING, assembly, starboard	1	—	C/MR	TB8/29
28S/1214082	No12Cx1/2"	. . . . Screw, self-tapping, type Z.4100	8	—	C	TB8/30
20954	EA1.30.393	. . . . Washer, plate	8	—	C/MR	TB8/31
6735	EA1.31.307	. . . . HOUSING, BEARING, CENTRE, CONTROL PORT, ASSEMBLY (PRE—ALT R60/13—MOD 5099)	1	—	B/MR	TB9/12
6051859	EK5.31.603	. . . . HOUSING, BEARING, CENTRE, CONTROL PORT, ASSEMBLY (ALT R60/13—MOD 5099) Spares for:—	1	—	B/MR	
2A/9500470	SKEFKO					
28N/1059398	CBA5	. . . . BALLRACE	1	—	C	TB9/13
	AGS2030/57	. . . . CIRCLIP, internal, 50 m/m	1	—	C	TB9/14
	EA1.31.45	. . . . HOUSING, bearing (Pre—Alt R60/13—Mod 5099)	1	—	—	TB9/15
	EK5.31.605	. . . . HOUSING, bearing (Alt R60/13—Mod 5099) Attaching parts for EA1.31.307 or EK5.31.603:—	1	—	—	
28D/1202771	A25/4G	. . . . Bolt, 9/16" BSF	3	—	C	TB9/16
28M/5808571	A27GS	. . . . Nut, 9/16" BSF	3	—	C	TB9/17
28P/9527619	SP90C7	. . . . Pin, split, 1/16" dia	2	—	C	TB9/17A
6736	EA1.31.308	. . . . HOUSING, BEARING, CENTRE, CONTROL STARBOARD, ASSEMBLY (PRE—ALT R60/13—MOD 5099)	1	—	B/MR	TB9/18
6051860	EK5.31.604	. . . . HOUSING, BEARING, CENTRE, CONTROL STARBOARD, ASSEMBLY (ALT R60/13—MOD 5099) Spares for:—	1	—	B/MR	
2A/9500470	SKEFKO					
28N/1059398	CBA5	. . . . BALLRACE	1	—	C	TB9/13
	AGS2030/57	. . . . CIRCLIP, internal, 50 m/m	1	—	C	TB9/14
	EA1.31.46	. . . . HOUSING, bearing (Pre—Alt R60/13—Mod 5099)	1	—	—	TB9/19
	EK5.31.606	. . . . HOUSING, bearing (Alt R60/13—Mod 5099) Attaching parts for EA1.31.308 or EK5.31.604:—	1	—	—	
28D/1202771	A25/4G	. . . . Bolt, 9/16" BSF	3	—	C	TB9/16
28M/5808571	A27GS	. . . . Nut, 9/16" BSF	3	—	C	TB9/17
28P/9527619	SP90C7	. . . . Pin, split 1/16" dia	3	—	C	TB9/17B
	AGS759G	. . . . NUT, 7/16" BSF	8	LA	C	TB7/32
	AGS759H	. . . . NUT, 1/2" BSF	4	LA	C	TB7/33
	AGS759J	. . . . NUT, 9/16" BSF	4	LA	C	TB7/34
5073	EEAS65	. . . . PLATE, serial record	1	—	C	TB8/25
18607	EA3.30.107	. . . . PLATE, tappet	1	DTD683	C	TB8/26
18608	EA3.30.108	. . . . PLATE, tappet	1	DTD683	C	TB8/27

TAIL UNIT  
TAILPLANE AND ELEVATORS

Ref. No.	Part No.	Description	No. off	Matl. Spec.	Cl. of Equip M.R. L.M.	Plate No.
21612	EA1.30.33	SPAR, MAIN TAILPLANE CENTRE SECTION, ASSEMBLY Spares for:—	1	—	—	TB7/20
5869	EA3.30.145	BUSH, hinge	4	S99	C	TB7/21
40071	EA1.30.263	FORK, bottom	2	S95	MR	TB7/22
27460	EA1.30.265	FORK, top	2	S65	MR	TB7/23
5020	EA1.30.267	SHIM	4	Alumn	C	TB7/24
1073	EEAS28/15JR	WASHER, 10 SWG	8	L72	C	TB7/25
1077	EEAS28/34JR	WASHER	4	L72	C	TB7/26
1079	EEAS28/38JR	WASHER	4	L72	C	TB7/27
28W/9419491	SP16N	WASHER	4	LA	C	TB7/28
28W/9419492	SP16P	WASHER	4	LA	C	TB7/29
28W/9419493	SP16Q	WASHER	4	LA	C	TB7/30
28W/9419494	SP16S	WASHER	4	LA	C	TB7/31
5980	EB6.30.21	TAPPET, MICRO SWITCH, TAILPLANE TRAVEL, LIMIT, ASSEMBLY Spares for:—	1	—	C	TB9/18
	EB6.30.25	BODY, tappet	1	L40	—	TB9/19
	EA1.30.371	COLLAR	1	L56	—	TB9/20
	EB6.30.23	PIN, tappet	1	L40	—	TB9/21
28P/1203253	SP65E4	PIN, taper	1	LA	C	TB9/22
	EB6.30.27	SPRING, compression	1	DTD215	—	TB9/23
		Attaching parts for EB6.30.21:—				
28M/1007404	A27JT	Nut, 3/8" BSF	1	—	C	TB9/24
25609	EB6.30.19	TAPPET, MICRO SWITCH, TAILPLANE TRAVEL, LIMIT, ASSEMBLY Spares for:—	2	—	C	TB9/25
	EB6.30.25	BODY, tappet	1	L40	—	TB9/26
	EA1.30.371	COLLAR	1	L56	—	TB9/27
27587	EA3.30.271	PIN, tappet	1	L64 or L65	—	TB9/28
	EB6.30.27	SPRING, compression	1	DTD215	—	TB9/29
		Attaching parts for EB6.30.19:—				
28M/1007404	A27JT	Nut, 3/8" BSF	1	—	C	TB9/30
345	EA1.31.361	WASHER, special	2	L72	C	TB9/31
28W/9419405	SP15E	WASHER	2	—	C	TB6/36
28W/9419487	SP16E	WASHER	1	—	C	TB6/37

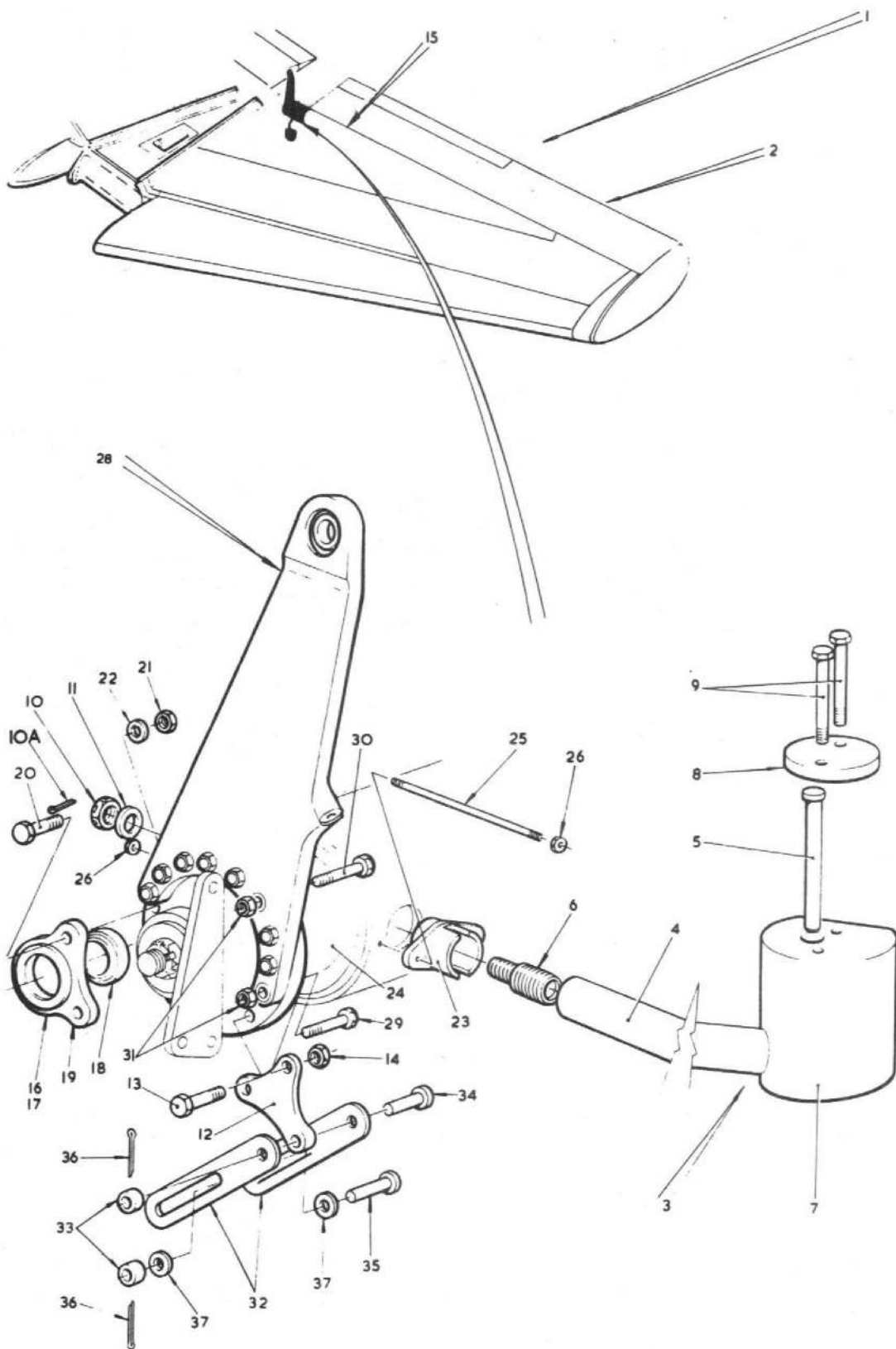


FIG 1 TAIL UNIT

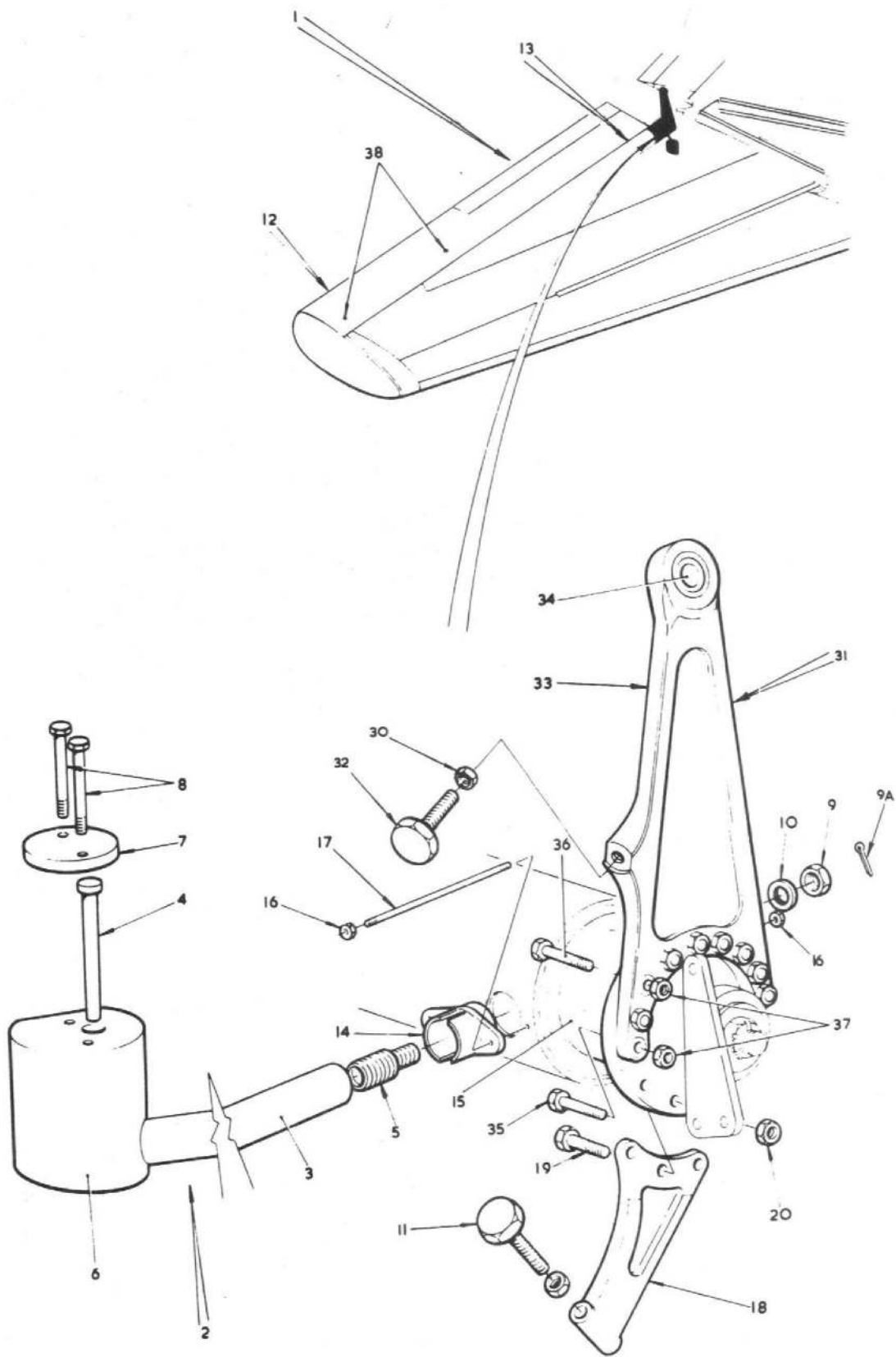


FIG 2 TAIL UNIT

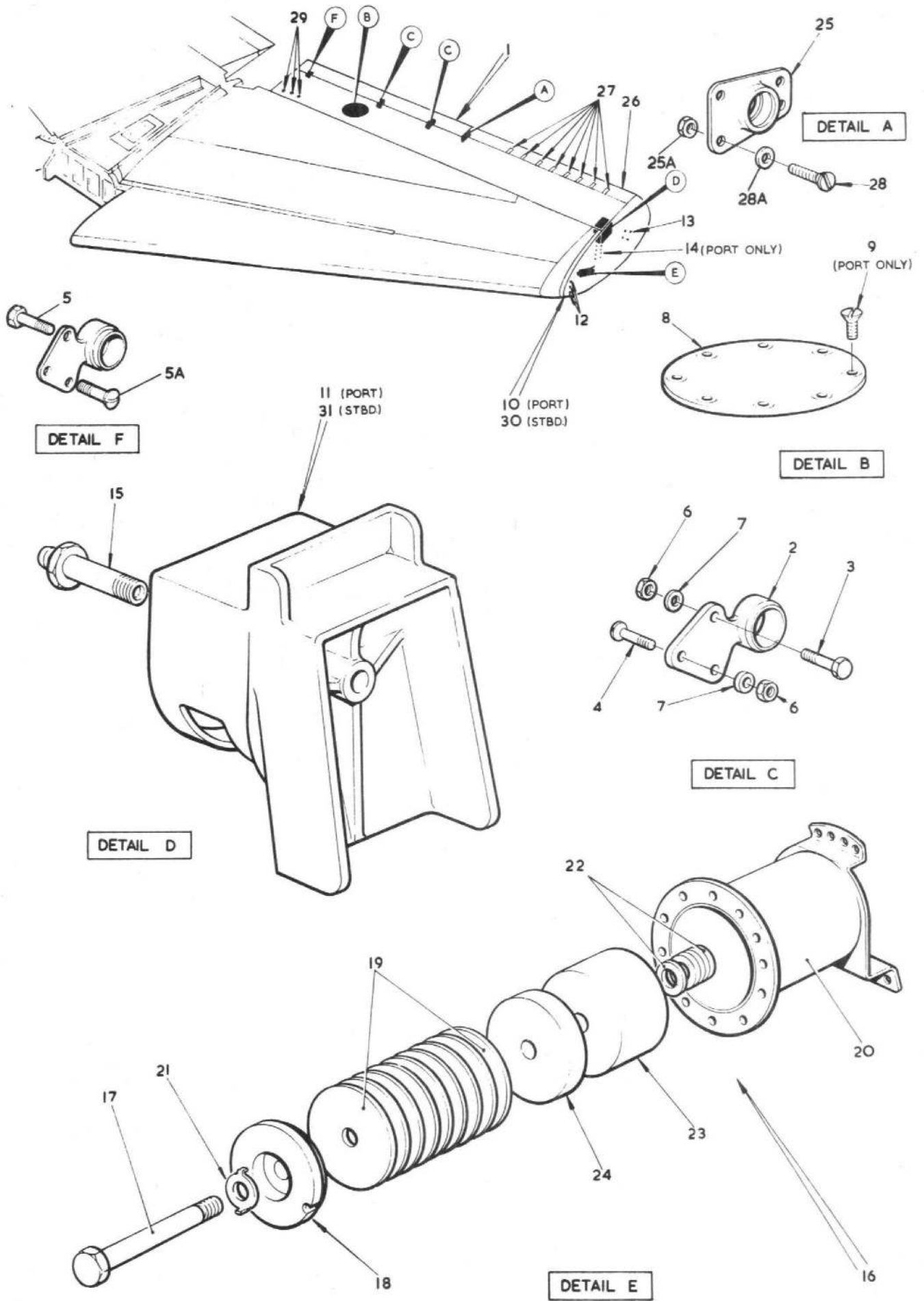


FIG 3 TAIL UNIT

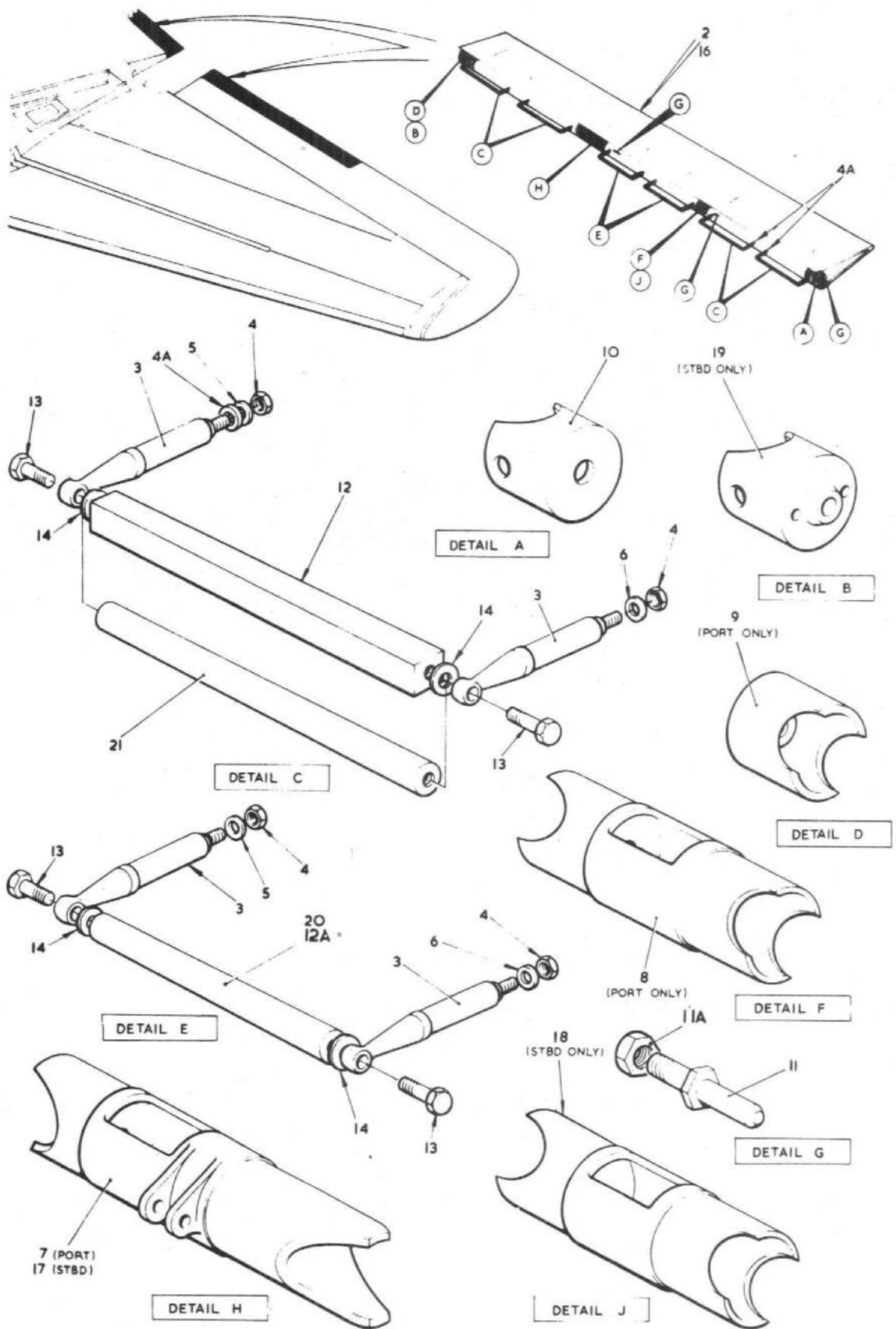


FIG. 4 TAIL UNIT

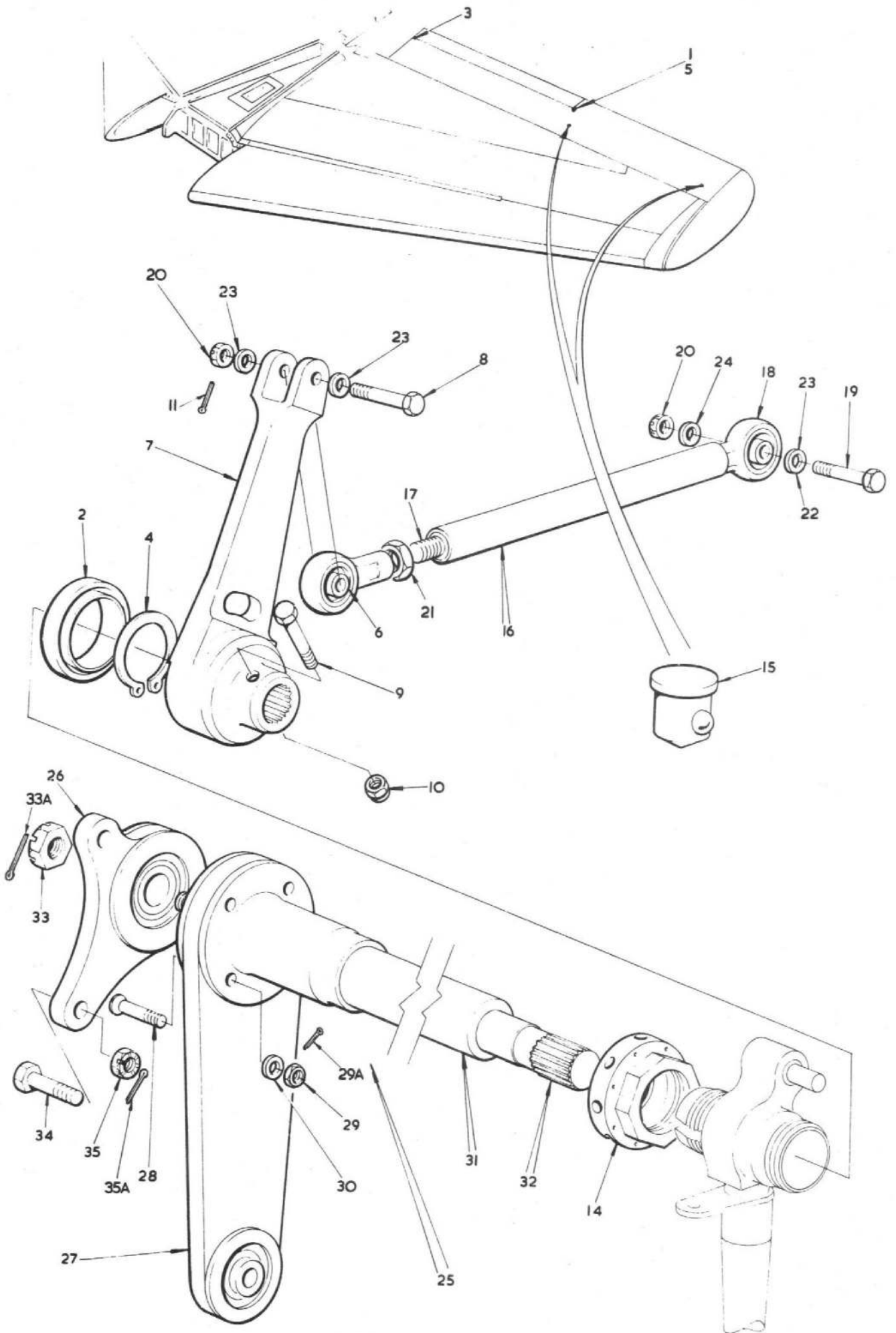


FIG 5 TAIL UNIT

CODE R5TZ

SECT TB

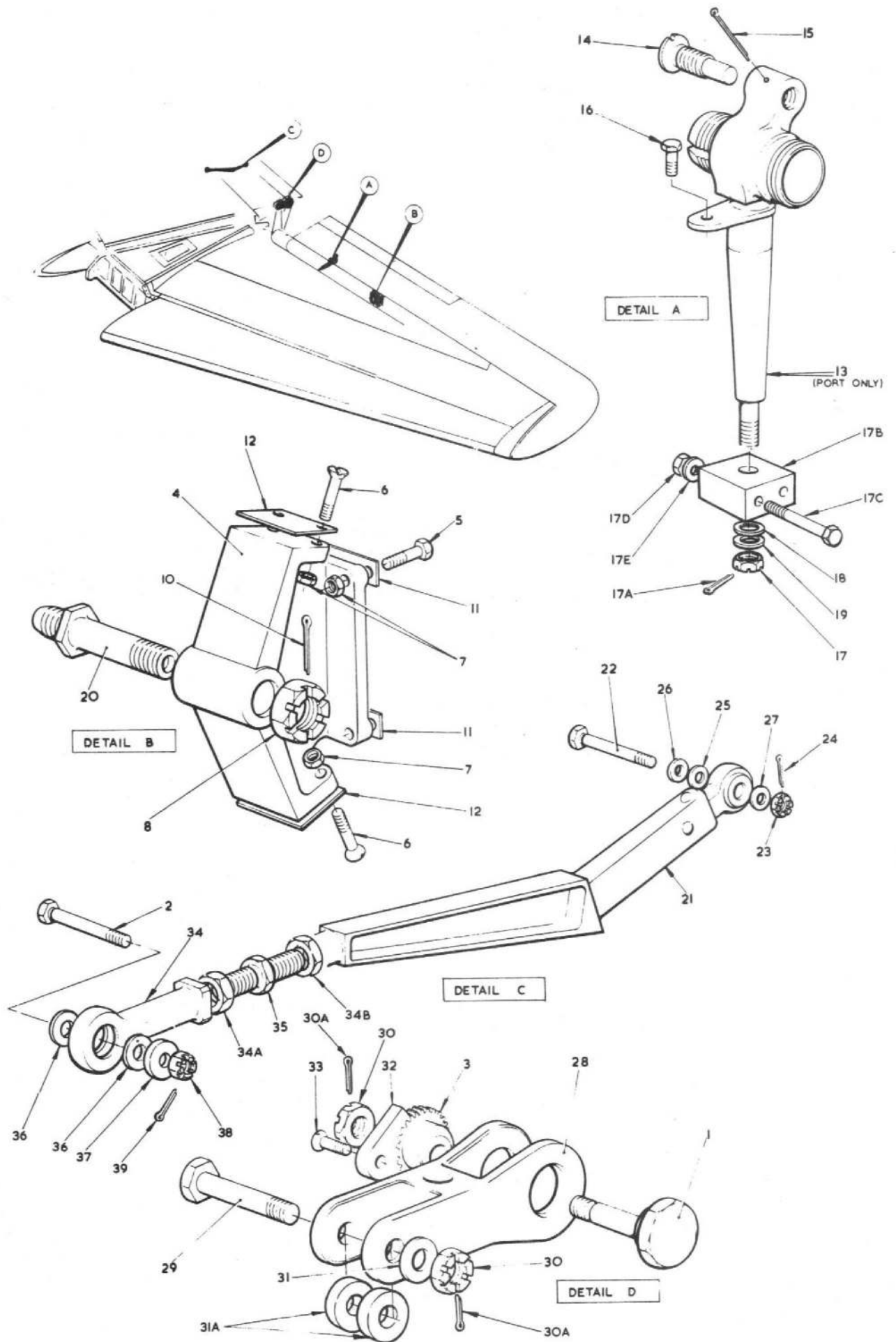


FIG 6 TAIL UNIT

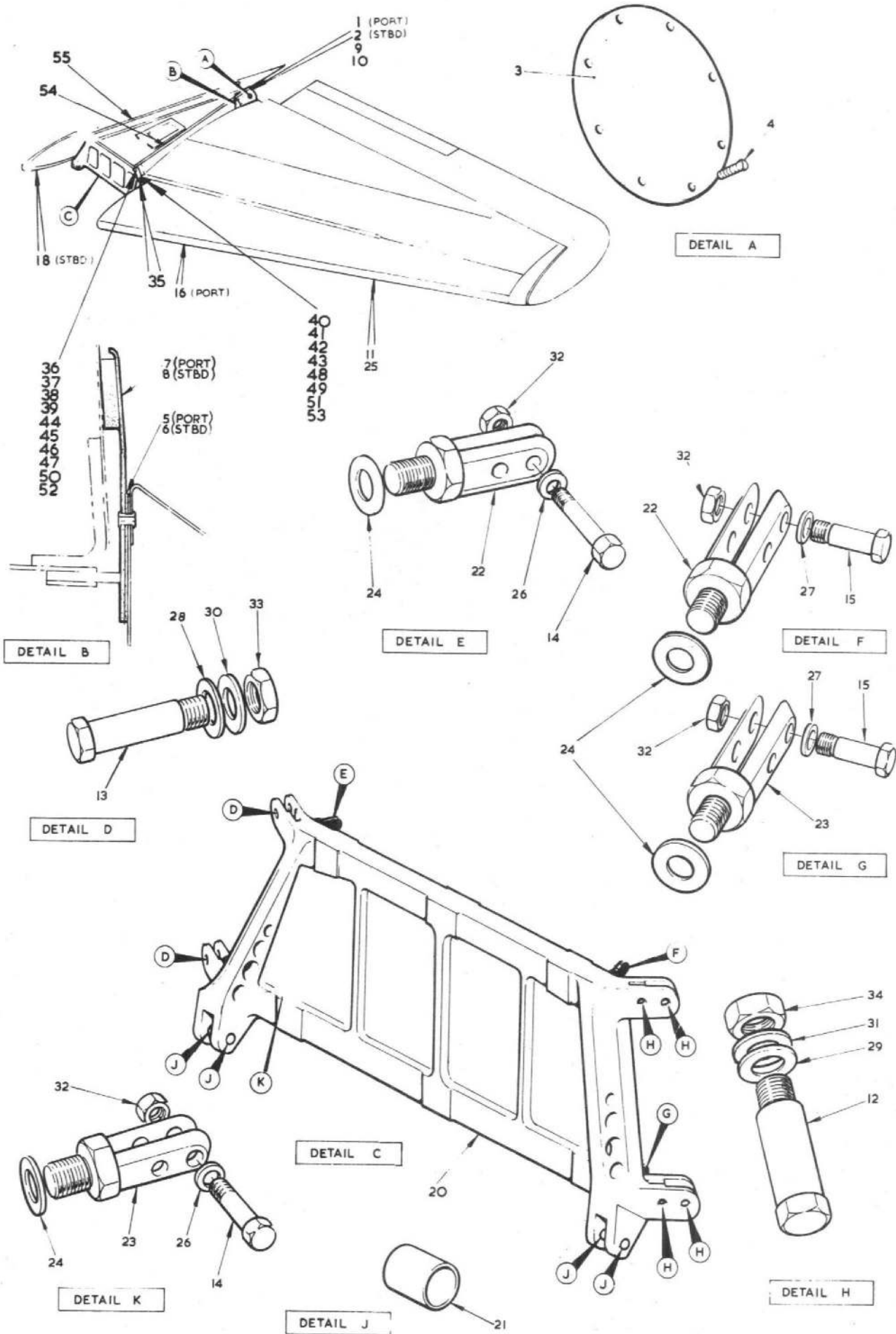


FIG7 TAILPLANE AND ELEVATORS

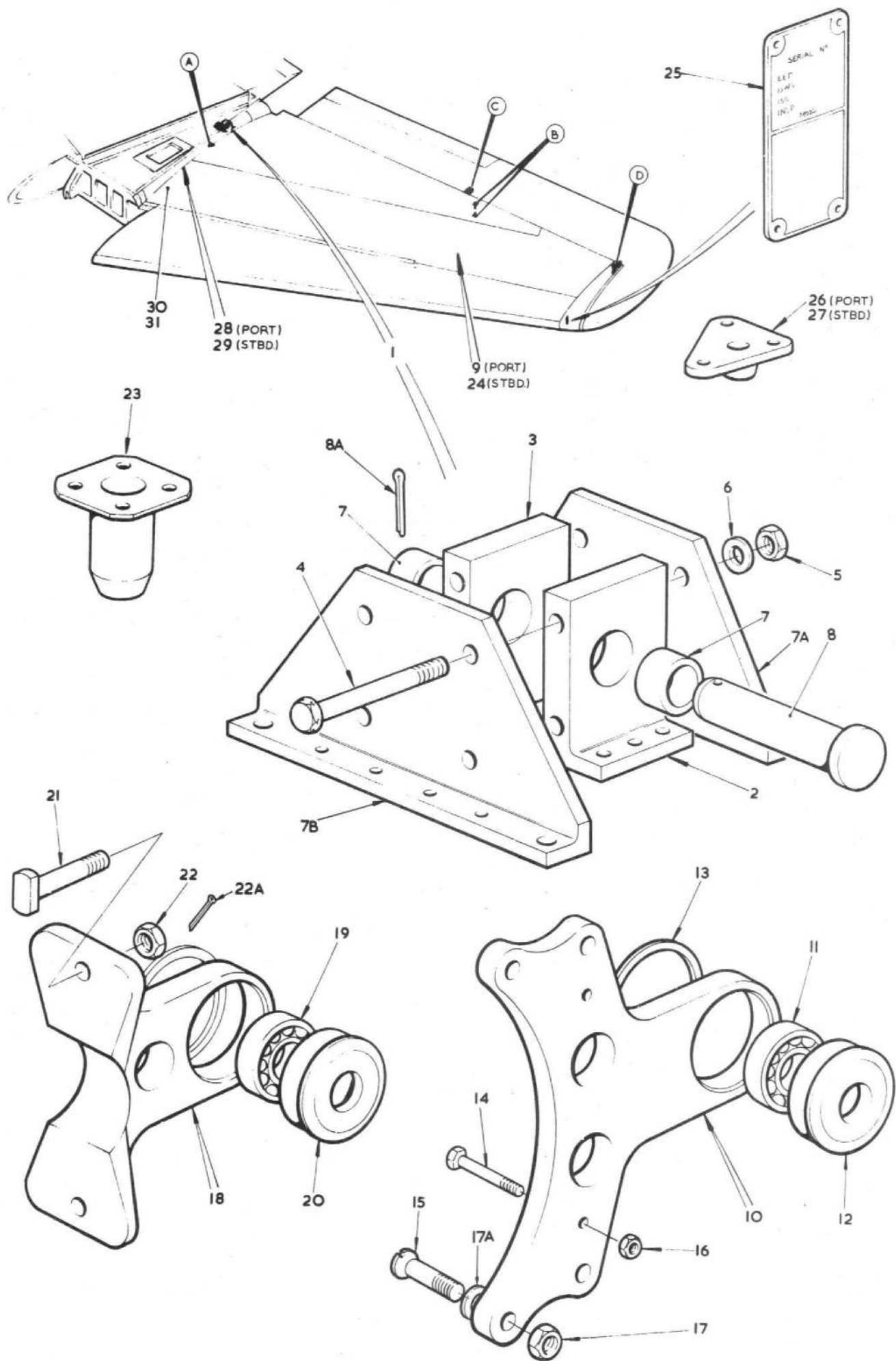


FIG 8 TAILPLANE AND ELEVATORS

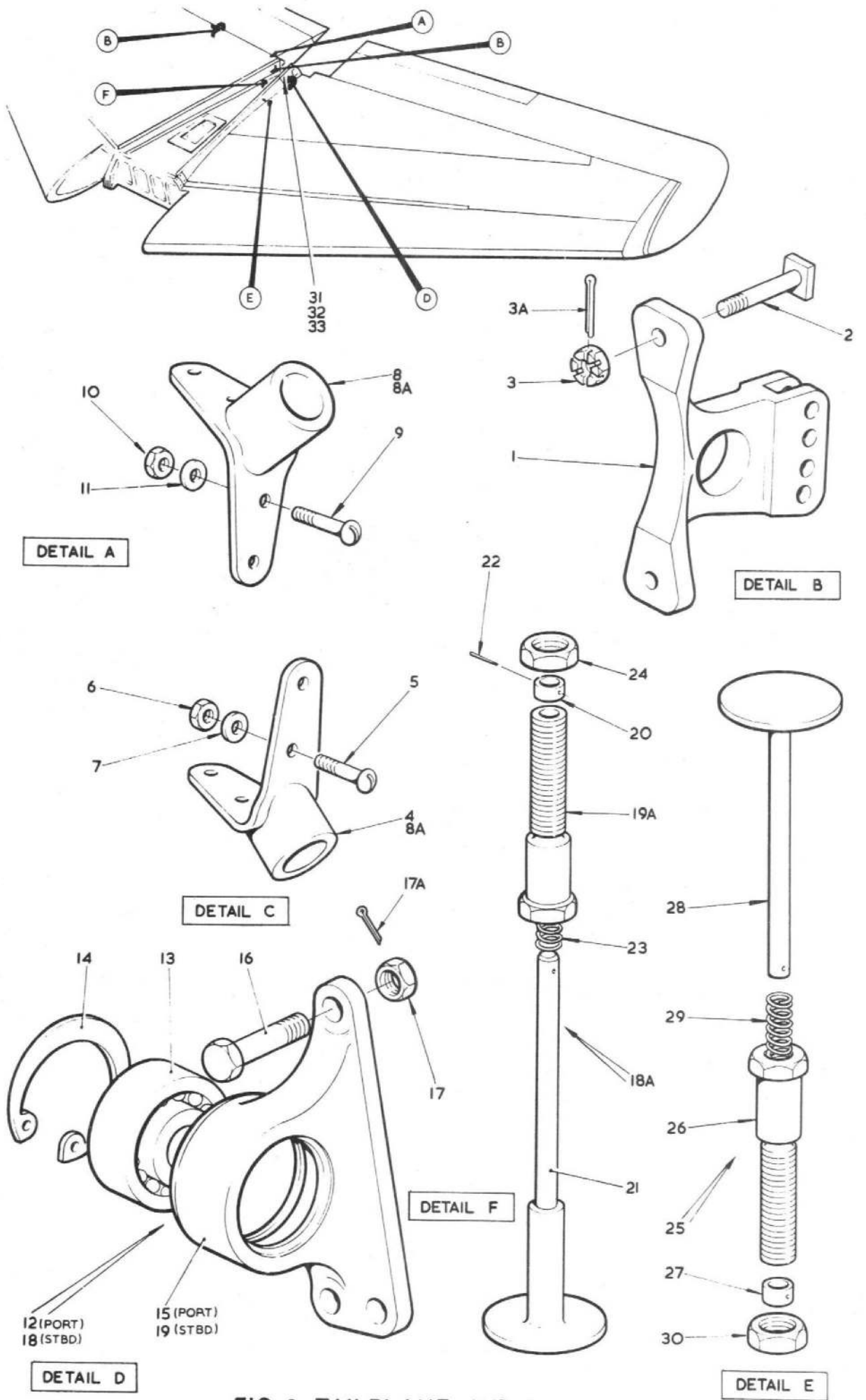


FIG 9 TAILPLANE AND ELEVATORS

CODE R57Z

SECT TB

This file was downloaded  
from the RTFM Library.

Link: [www.scottbouch.com/rtfm](http://www.scottbouch.com/rtfm)

Please see site for usage terms,  
and more aircraft documents.



LIGHTNING MK. 1  
COVER PITOT HEAD  
EB2-88-511