

## JETTISON WING FUEL TANK

Ref. No.	Part No.	Description	No. off	Matl. Spec.	Cl. of Equip M.R. L.M.	Plate No.
12867	EA3.00.505	TANK, 250 GALLON, JETTISONABLE, WING FUEL INSTALLATION, PORT (PRE-MOD 2395)	—	—	—	
14717	EB6.00.347	TANK, 250 GALLON, JETTISONABLE, WING FUEL INSTALLATION, PORT (MOD 2395)	—	—	—	
12868	EA3.00.506	TANK, 250 GALLON, JETTISONABLE, WING FUEL INSTALLATION, STARBOARD (PRE-MOD 2395)	—	—	—	
21430	EA3.00.348	TANK, 250 GALLON, JETTISONABLE, WING FUEL INSTALLATION, STARBOARD (MOD 2395)	—	—	—	
	EA1.00.81	Consisting of:— ATTACHMENT DETAILS, DROP TANK TO WING, PORT	—	—	—	
	EA1.00.82	Consisting of:— ATTACHMENT DETAILS, DROP TANK TO WING, STARBOARD	—	—	—	
1577	EA1.20.2031	Consisting of:— BOLT, explosive	3	DTD683	C	UA1/1
	EA1.81.317	Consisting of:— DETONATOR, FORWARD, EXPLOSIVE BOLT, ASSEMBLY	1	—	—	UA1/10
		Consisting of:—				
12G/9635205	EA3.81.353	DETONATOR	1	—	C	UA1/2
1578	EA1.81.939	PLUG, detonator	1	—	C	UA1/3
5K/9107065	—	SLEEVE, 1/2" long	2	—	C	UA1/4
5K/9107067	—	SLEEVE, 1/2" long	1	—	C	UA1/5
1579	EA1.81.938	SPRING	1	—	C	UA1/6
5X/9400061	703-2-00315-020	TAG, quick release	2	—	C	UA1/7
5X/9400062	703-2-00339-021	THIMBLE	2	—	C	UA1/8
1580	EA1.81.428	TUBE, detonator	1	—	C	UA1/9
5F/2124	—	TUBE, rubber	QR	—	C	UA1/9A
	EA1.81.318	DETONATOR, REAR, OUTBOARD, EXPLOSIVE BOLT, ASSEMBLY	1	—	—	UA1/11
		Consisting of:—				
12G/9635205	EA3.81.353	DETONATOR	1	—	C	UA1/2
1578	EA1.81.939	PLUG, detonator	1	—	C	UA1/3
5K/9107065	—	SLEEVE, 1/2" long	2	—	C	UA1/4
5K/9107067	—	SLEEVE, 1/2" long	1	—	C	UA1/5
1579	EA1.81.938	SPRING	1	—	C	UA1/6
5X/9400061	702-2-00315-020	TAG, quick release	2	—	C	UA1/7
5X/9400062	703-2-00339-021	THIMBLE	2	—	C	UA1/8
1580	EA1.81.428	TUBE, detonator	1	—	C	UA1/9
5F/2124	—	TUBE, rubber	QR	—	C	UA1/9A
	EA1.81.599	DETONATOR, REAR, INBOARD, EXPLOSIVE BOLT, ASSEMBLY	1	—	—	UA1/12
		Consisting of:—				
12G/9635205	EA.381.353	DETONATOR	1	—	C	UA1/2
1578	EA1.81.939	PLUG, detonator	1	—	C	UA1/3
5K/9107065	—	SLEEVE, 1" x 1/2"	2	—	C	UA1/4
5K/9107067	—	SLEEVE, 3" x 1/2"	1	—	C	UA1/5
1579	EA1.81.938	SPRING	1	—	C	UA1/6
5X/9400061	703-2-00315-020	TAG, quick release	2	—	C	UA1/7
5X/9400062	703-2-00339-021	THIMBLE	2	—	C	UA1/8
1580	EA1.81.428	TUBE, detonator	1	—	C	UA1/9
5F/2124	—	TUBE, rubber	QR	—	C	UA1/9A
28M/9151358	AGS2002Q1	NUT, stiff, 5/8" BSF	3	—	C	UA1/9B
2134	EA1.57.1239	PIPE, air break, c/w stop	1	—	C	UA1/13
2135	EA1.57.1241	PIPE, fuel break, c/w stop	1	—	C	UA1/14
1583	EA1.20.10505	WASHER, special, explosive bolt	3	DTD124	C	UA1/15
1584	EA1.20.8833	WASHER, special, explosive bolt	3	DTD683	C	UA1/16

TANKS  
JETTISON WING FUEL TANK

Ref. No.	Part No.	Description	1 2 3 4 5 6						No. off	Matl. Spec.	Cl. of Equip M.R. L.M.	Plate No.
			1	2	3	4	5	6				
14683	EA3.62.175	. TANK, DROP, PORT ASSEMBLY (PRE—MOD 2395)							1	—	—	UA1/17
	EA3.62.217	. TANK, DROP, PORT ASSEMBLY (MOD 2395)							1	—	—	
	or BRISTOL A/C 75-04-0001											
14684	EA3.62.176	. TANK, DROP, STARBOARD, ASSEMBLY (PRE—MOD 2395)							1	—	—	UA1/18
	EA3.62.218 or BRISTOL A/C 75-04-0002	. TANK, DROP, STARBOARD, ASSEMBLY							1	—	—	
5CZ/4300	EA3.62.113	Spares for:— . . . BLOCK, contact, navigation light Attaching parts for EA3.62.113:—							1	—	C	UA1/19
28S/9535715	A33B16	. . . Screw, csk. head 4BA							2	—	C	UA1/19A
20505	EA3.62.151	. . . BODY, adaptor for filler cap Attaching parts for EA3.62.151:—							1	—	C	UA1/20
28D/1007975	AS1242/1C	. . . Bolt, csk. head 2BA							18	—	C	UA1/20A
21607	EA2.62.57	. . . Ring, nut							1	—	C	UA1/20B
5250	EA2.62.71	. . . Washer, sealing							1	—	C	UA1/20C
12940	EA3.62.191	. . . CAP, FILLER, C/W INBOARD VENT VALVE, ASSEMBLY Spares for:—							1	—	C	UA1/21
5249	EA2.62.143	. . . WASHER, sealing, filler cap assembly							1	—	C	UA1/22
13158	EA3.62.197	. . . WASHER, sealing, vent valve head							1	Hycatrol 257	C	UA1/22A
5L/9952431	—	. . . FILAMENT, lamp							1	—	C	UA1/36
5CX/4330018	—	. . . LAMP, navigation, type B, port							1	—	B	UA1/37
5CX/1043420	—	. . . LAMP, navigation, type B, starboard Attaching parts for Ref. 5CX/4330018 and 5CX/1043420:—							1	—	B	UA1/37A
28M/9418829	AGS2002A1	. . . Nut, stiff, 6BA							4	—	C	UA1/38
3392	EA3.62.77	. . . PANEL, access, top skin Attaching parts for EA3.62.77:—							1	—	C	UA1/39
28D/1007982	AS1248/1C	. . . Bolt, mush. head 2BA							18	—	C	UA1/40
21607	EA2.62.57	. . . Ring, nut							1	—	C	UA1/41
5250	EA2.62.71	. . . Washer, sealing							1	—	C	UA1/42
	EA2.62.73	. . . PIPE AND MOUNTING, FUEL, PORT, ASSEMBLY							—	—	—	UA1/23
	EA2.62.74	. . . PIPE AND MOUNTING, FUEL, STARBOARD, ASSEMBLY Spares for:—							—	—	—	UA1/24
2136	EA2.62.227	. . . CLIP, bottom, air pipe							1	—	C	UA1/25
2137	EA2.62.229	. . . CLIP, bottom, fuel pipe							1	—	C	UA1/26
28E/9712163	SP91C	. . . CLIP, top, air pipe							1	—	C	UA1/25A
28E/6250283	SP91J	. . . CLIP, top, fuel pipe							1	—	C	UA1/26A
	EEAS77/84	. . . HOSE, connection, for fuel break pipe, 1 3/4" i/d x 1 5/8" o/d x 3" long							1	DTD625	LM	UA1/27
	EEAS77/32	. . . HOSE, connection, for fuel break pipe, 1/2" i/d x 3/4" o/d x 2 3/4" long							1	DTD625	LM	UA1/28
28D/1213043	AS4566/1B	. . . SCREW, 4BA mush. head							50	—	C	UA1/47
12922	EA3.62.189	. . . SOCKET, EARTHING, ASSEMBLY Consisting of:—							1	—	C	UA1/29
	EA3.62.181	. . . CAP, sealing							1	DTD683	—	UA1/30
	EA3.62.177	. . . SOCKET, earth plug							1	DTD683	—	UA1/31
	EA3.62.183	. . . SPRING Attaching parts for EA3.62.189:—							1	DTD215	—	UA1/32
28S/7100783	No.4 x 3/8"	. . . Screw, self tapping, type Z							6	—	C	UA1/33A
12923	EA3.62.185	. . . Washer, sealing							1	Neo-K-Tex	C	UA1/33

## TANKS

## JETTISON WING FUEL TANK

Ref. No.	Part No.	Description	No. off	Matl. Spec.	Cl. of	Plate
					Equip M.R. L.M.	
		1 2 3 4 5 6				
5511	EA3.62.115	. . STRIP, sealing on tank flange, 72" long	1	—	LM	UA1/34
	EA1.20.10897	. . VALVE, DRAIN, ASSEMBLY Spares for:—	1	—	B	UA1/35
	EA1.20.10901	. . . PLUG, DRAIN, ASSEMBLY Spares for:—	1	—	—	UA1/43
5512 12335 12904 3458	EA1.20.10903	. . . . PLUG, housing	1	L40	—	UA1/44
	EA1.20.10907	. . . . PLUG	1	L40	C	UA1/45
	EA1.20.10905	. . . . RING, Hycatrol	1	Grade HE/4	C	UA1/46
	EA3.62.117	. . WASHER, special	50	Petrolite	C	UA1/48
	EA1.20.2903	. . WASHER, sealing	2	Neo-K-Tex	C	UA1/49

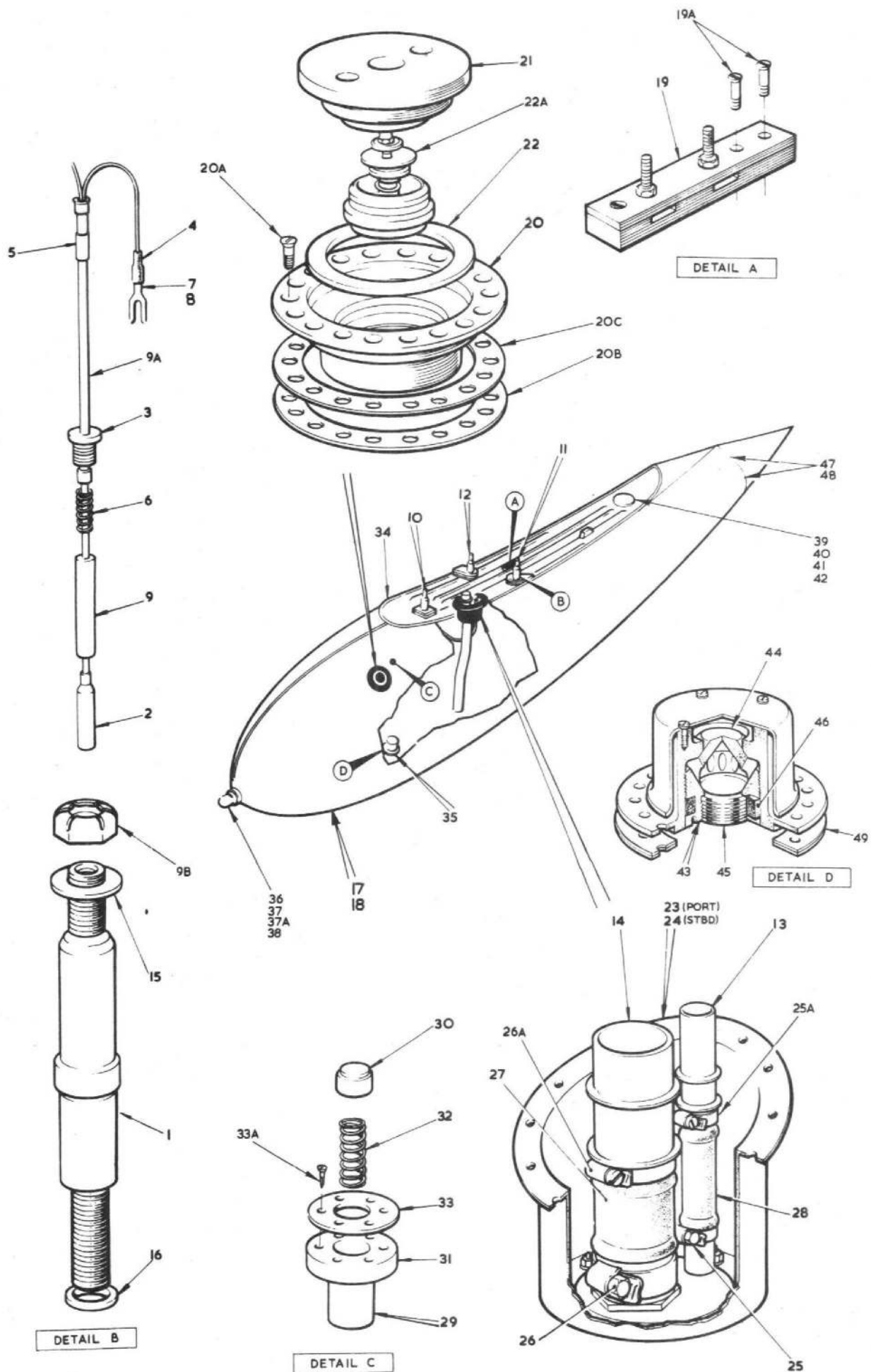


FIG. I JETTISONABLE WING FUEL TANK

This file was downloaded  
from the RTFM Library.

Link: [www.scottbouch.com/rtfm](http://www.scottbouch.com/rtfm)

Please see site for usage terms,  
and more aircraft documents.

