

TANKS  
INTEGRAL FUEL TANKS

Ref. No.	Part No.	Description 1 2 3 4 5 6	No. off	Matl. Spec.	Cl. of Equip M.R. L.M.	Plate No.
12099	EB7.00.109	TANK, INTEGRAL, PORT, ASSEMBLY (SPARES CONDITION) (Ref. Drg. EA1.20.3505) (For Non-Interchangeable A/C)	1	—	A/MR	
12100	EB7.00.110	TANK, INTEGRAL, STARBOARD, ASSEMBLY (SPARES CONDITION) (Ref. Drg. EA1.20.3506) (For Non-Interchangeable A/C)	1	—	A/MR	
17748	EB7.00.111	TANK, INTEGRAL, PORT, ASSEMBLY (SPARES CONDITION) (Ref. Drg. EA1.20.3505) (For Interchangeable A/C)	1	—	—	
17749	EB7.00.112	TANK, INTEGRAL, STARBOARD, ASSEMBLY (SPARES CONDITION) (Ref. Drg. EA1.20.3506) (For Interchangeable A/C) Spares for:—	1	—	—	
	EB6.20.1163	. ADAPTOR, FUEL DRAIN, PORT (MOD 2587)	—	—	—	
	EB6.20.1164	. ADAPTOR, FUEL DRAIN, STARBOARD (MOD 2587) Spares for:—	—	—	—	
36599	EB6.20.1165	. ADAPTOR, drain	1	L44	C	
36597	EB6.20.1167	. CUP, suction, fairing, port	1	L59	C	
36598	EB6.20.1168	. CUP, suction, fairing, starboard	1	L59	C	
21016	EA1.20.5067	. BLOCK, rubber, inboard	1	—	C	UC1/1
21017	EA1.20.5068	. BLOCK, rubber, inboard	1	DTD560	C	UC1/2
21018	EA1.20.5069	. BLOCK, rubber, outboard	1	Shore 50-61	C	UC1/3
21019	EA1.20.5070	. BLOCK, rubber, outboard	1	—	C	UC1/4
1439044	EA1.20.5003	. BLOCK, sealing rubber (Pre—Mod 1463)	6	—	C	UC1/5
21020	EB6.20.751	. BLOCK, rubber, sealing (Mod 1463)	6	—	C	
	or					
	EB6.20.769	. BLOCK, rubber, sealing	6	—	C	UC1/6
3523	EEAS134/1½C SMITHS INSTRUMENTS JKB1	. BOLT, special sealing, 2BA	525	S91	C	UC1/7
6A/3020		. BOX, terminal Attaching parts for JKB1:—	2	—	B	UC1/8
28D/1200119	A25/4C	. Bolt, 2BA	8	—	C	UC1/9
28F/9429636	AGS1186/3	. Seal, bonded	8	—	C	UC1/10
28E/8211233	SP144-028	. CLIP, hose connection, securing	10	—	C	UC1/11
2163	EEAS112/15	. CLIP, pipe securing	3	—	C	UC1/12
12333	EA1.20.5201	. CLIP, pipe securing (Pre—Mod 3432)	1	L72	C	UC1/13
28E/1009753	AS3180/3C	. CLIP, cable securing, port only Attaching parts for EEAS112/15, EA1.20.5201 and AS3180/3C:—	1	—	C	UC1/14
28D/9446920	A25/1C	. Bolt, 2BA	QR	—	C	UC1/15
28D/1200119	A25/4C	. Bolt, 2BA	QR	—	C	UC1/16
28D/7002428	A25/6C	. Bolt, 2BA	QR	—	C	UC1/17
28M/1278190	AGS2001C1/66	. Nut, stiff, 2BA	QR	—	C	UC1/18
28M/9433473	AGS2002C1	. Nut, stiff, 2BA	QR	—	C	UC1/19
28F/9429636	AGS1186/3	. Seal, bonded	QR	—	C	UC1/20
18856	EEAS27/56JR	. Washer, sealing	QR	—	C	UC1/21

TANKS  
INTEGRAL FUEL TANKS

Ref. No.	Part No.	Description	No. off	Mati. Spec.	Cl. of Equip	Plate No.		
					M.R. L.M.			
			1	2	3	4	5	6
18638	EA1.57:353	. ELBOW, special nitrogen connection (Pre—Mod 3432)	1	DTD133C	C	UC1/22		
18637	EA1.57.354	. ELBOW, special nitrogen connection (Pre—Mod 3432)	1	DTD133C	C	UC1/23		
Attaching parts for EA1.57.353 & EA1.57.354:—								
28D/1200119	A25/4C	. Bolt, 2BA	7	—	C	UC1/24		
28D/1011021	A25/16C	. Bolt, 2BA	2	—	C	UC1/25		
28D/1214311	A25/17C	. Bolt, 2BA	1	—	C	UC1/26		
28F/9429636	AGS1186/3	. Seal, bonded	10	—	C	UC1/27		
EEAS77/72								
21334	EA1.57.783	. HOSE, connection (Make from 32C/1275034)	4	DTD625	LM	UC1/28		
12334	EA1.20.5073	. HOSE, rubber, blanking tube connection	1	DTD625	—	UC1/29		
JOINT, tee, through main spar, nitrogen system, port (Pre—Mod 3432)			1	L54	C	UC1/340		
12344	EA1.20.5074	. JOINT, tee, through main spar, nitrogen system, starboard (Pre—Mod 3432)	1	L54	C	UC1/31		
6928	EA1.20.4423	. PANEL, FUEL PUMP, ACCESS, PORT, ASSEMBLY	1	—	B	UC2/1		
6929	EA1.20.4424	. PANEL, FUEL PUMP, ACCESS, STARBOARD, ASSEMBLY	1	—	B	UC2/2		
Spares for:—								
5511	EA1.20.10897	. VALVE, DRAIN, ASSEMBLY	1	—	B	UC2/3		
Consisting of:—								
	EA1.20.10909	. . . DISH, syphon	1	—	C	UC2/4		
Attaching parts for EA1.20.10909:—								
	EA1.20.10911	. . . Screw, special, 4BA	4	—	C	UC2/5		
1439044	EA1.20.10899	. . . HOUSING, drain plug	1	—	C	UC2/6		
21522	EA1.20.10901	. . . PLUG, VALVE, ASSEMBLY	1	—	C	UC2/7		
Consisting of:—								
	EA1.20.10903	. . . . PLUG, drain valve	1	L40	—	UC2/8		
5512	EA1.20.10907	. . . . PLUG, 3/4" BSP	1	L40	C	UC2/9		
12335	EA1.20.10905	. . . . RING, resilient	1	—	C	UC2/10		
3458	EA1.20.2903	. . . WASHER, sealing	1	Neo-K-Tex	C	UC2/11		
Attaching parts for EA1.20.4423 and EA1.20.4424:—								
6218	EEAS1/1 1/2E	. Screw, 1/4" BSF	44	S96	C	UC2/12		
16106	EA1.20.5311	. PANEL, ACCESS, REAR WALL, ASSEMBLY	1	—	B	UC2/13		
16107	EA1.20.5313	. PANEL, ACCESS, REAR WALL, ASSEMBLY	2	—	B	UC2/14		
16028	EA1.20.4801	. PANEL, ACCESS, REAR WALL, ASSEMBLY	1	—	B	UC2/15		
Spares for:—								
21040	EA1.20.4927	. RING, seal	1	—	C	UC2/16		
Attaching parts for EA1.20.5311, EA1.20.5313 and EA1.20.4801:—								
28M/7002430	AGS2002E1	. Nut, stiff, 1/4" BSF	28	—	C	UC2/17		
28W/9419405	SP15E	. Washer	28	—	C	UC2/18		

TANKS  
INTEGRAL FUEL TANKS

Ref. No.	Part No.	Description	1 2 3 4 5 6						No. off	Matl. Spec.	Cl. of Equip M.R. L.M.	Plate No.
12336	EA1.20.5155	. PIPE, from outer elbow connection to tee piece (Pre—Mod 3432)							1	L56	C	UC1/32
12337	EA1.20.5157	. PIPE, from inner elbow connection to tee piece (Pre—Mod 3432)							1	L56	C	UC1/33
21982	EB6.20.149	. PLATE, clamping assembly (Pre—Mod 1463)							3	—	—	UC4/63
	EB6.20.759	. PLATE, clamping assembly (Mod 1463)							3	—	—	
	EB6.20.1150	. PLATE, clamping assembly (Pre—Mod 1463)							3	—	—	UC4/64
21983	EB6.20.760	. PLATE, clamping assembly (Mod 1463) Attaching appts for EB6.20.149, EB6.20.150, EB6.20.759 and EB6.20.760:—							3	—	—	
	EEAS99/4E	. Bolt, sealing 1/4" BSF 120° csh. head							7	—	C	UC4/65
38597	EB6.20.947	. PLATE, clamping (alternative to EB6.20.759 EB6.20.760) Attaching parts for EB6.20.947:—							6	—	—	UC4/66
	EEAS99/4E	. Bolt, sealing 1/4" BSF 120° csk. head							7	—	C	UC4/67
28M/7002430	AGS2002E1	. Nut, stiff 1/4" BSF							7	—	C	UC4/68
28W/9419405	SP15E	. Washer 1/4"							7	8	C	UC4/69
5UE/6788	PULSOMETER PUL907MK3	. PUMP, fuel Attaching parts for PUL9077MK3:—							1	—	A	UC2/19
28D/7002428	A25/6C	. Bolt, 2BA							14	—	C	UC2/20
28M/1278190	AGS2001C1/66	. Nut, stiff, 2BA							14	—	C	UC2/21
28F/9429636	AGS1186/3	. Seal, bonded							14	—	C	UC2/22
28W/9419475	SP15C	. Washer							14	—	C	UC2/23
6930	EA1.20.5265	. RING, nut							1	—	C	UC2/24
34723	EA1.20.5195	. RING, packing, between rear wall elbow connection and tank (Pre—Mod 3432)							2	DTD118	C	UC1/34
5653 JC1/35	EA1.57.1145	. RING, sealing, at flanged elbow connection  (Pre—Mod 3432)							2	Hycar rub- ber	C	
15973	EA1.20.4153	. SEAL							1	Neo-K-Tex	C	UC2/25
6925	EA6.20.251	. SEAL							1	Petrolite	C	UC2/26
36261	EA3.20.2611	. SPIGOT Attaching parts for EA3.20.2611:—							3	—	C	UC2/27
37408	EA3.20.2617	. Bolt, special							4	—	C	UC2/28
36263	EA3.20.2615	. Shim, packing							1	—	C	UC2/29
	EA1.20.3507	. STRUCTURE, MAIN INTEGRAL TANK, PORT (PRE—MOD 1781)							—	—	—	
	EB6.20.825	. STRUCTURE, MAIN INTEGRAL TANK, PORT, ASSEMBLY (MOD 1781)							—	—	—	UC2/30
	EA1.20.3508	. STRUCTURE, MAIN INTEGRAL TANK, STARBOARD (PRE—MOD 1781)							—	—	—	
	EB6.20.826	. STRUCTURE, MAIN INTEGRAL, TANK, STARBOARD, ASSEMBLY (MOD 1781) Spares for:—							—	—	—	UC2/31
12338	EEAS134/3 1/2 C	. BOLT, special, sealing, 2BA							8	S97	C	UC2/32
	EA1.20.5151	. BRACKET, pipe clip support (starboard only)							3	—	—	UC2/33

TANKS  
INTEGRAL FUEL TANKS

Ref. No.	Part No.	Description	No. off	Mati. Spec.	Cl. of Equip M.R. L.M.	Plate No.
	EA1.20.6152	. . . BRACKET, pipe clip support Attaching parts for EA1.20.5151 & EA1.20.5152:—	AR	—	—	UC2/34
28D/1008149	A25/2B	. . . Bolt, 4BA	2	—	C	UC2/35
28M/1086618	AGS2002B1	. . . Nut, stiff, 4BA	2	—	C	UC2/36
28W/9419474	SP15B	. . . Washer	2	—	C	UC2/37
	SMITHS					
6A/4333335	PLT9T	. . . CABLE, fuel contents gauge tank unit	2	—	B	UC3/1
16480	EB7.57.139	. . . CAP, FILLER, ASSEMBLY, INBOARD Consisting of:—	1	—	B/MR	UC3/2
1141	AS2590	. . . CAP, FILLER, ASSEMBLY Consisting of:—	1	—	B	UC3/3
	AS2591	. . . . . BASE	1	—	—	UC3/4
12876	AS2592	. . . . . CAP	1	—	C	UC3/5
28J/9432438	AS5364	. . . . . RING, sealing	1	—	C	UC3/6
29H/1250160	TERRY-169-1/2	. . . . . RING, split, key	2	—	C	UC3/7
33693	EB6.57.139	. . . CAP, FILLER, ASSEMBLY, OUTBOARD Consisting of:—	1	—	B	UC3/8
1141	AS2590	. . . CAP, FILLER, ASSEMBLY Consisting of:—	1	—	B	UC3/9
	AS2591	. . . . . BASE	1	—	—	UC3/10
12876	AS2592	. . . . . CAP	1	—	C	UC3/11
28J/9432438	AS5364	. . . . . RING, sealing	1	—	C	UC3/12
29H/1250160	TERRY-169-1/2	. . . . . RING, split, key	2	—	C	UC3/13
16044	EA1.20.4869	. . . Bolt, special, 2BA	5	—	C	UC3/14
1025	EEAS1/1C	. . . Screw, 2BA	10	—	C	UC3/15
2163	EEAS112/15	. . . CLIP	7	—	C	UC3/16
16041	EA1.20.4829	. . . CLIP	2	—	C	UC3/17
16092	EA1.20.5153	. . . CLIP	12	L16	LM	UC3/18
38107	EB6.20.747	. . . CLIP (PRE—MOD 3432) Attaching parts for EEAS.112/15, EA1.20.4829, EA1.20.5153 and EB6.20.747:—	1	L72	LM	UC3/19
28D/1010658	A25/1B	. . . Bolt, 4BA	QR	—	C	UC3/20
28D/1008149	A25/2B	. . . Bolt, 4BA	QR	—	C	UC3/21
28D/1009984	A25/7B	. . . Bolt, 4BA (Pre—Mod 3432)	QR	—	C	UC3/22
28D/9436920	A25/1C	. . . Bolt, 2BA	QR	—	C	UC3/23
28M/1086618	AGS2002B1	. . . Nut, stiff, 4BA	QR	—	C	UC3/24
28M/9433473	AGS2002C1	. . . Nut, stiff, 2BA	QR	—	C	UC3/25
16231	EA3.20.1973	. . . Piece, distance (Pre—Mod 3432)	QR	—	—	UC3/26
28W/9419474	SP15B	. . . Washer	QR	—	C	UC3/27
28W/9419486	SP16B	. . . Washer	QR	—	C	UC3/28
28W/9419475	SP15C	. . . Washer	QR	—	C	UC3/29
16063	EA1.20.5045	. . . Washer, packing (Pre—Mod 3432)	QR	—	—	UC3/30

TANKS  
INTEGRAL FUEL TANKS

Ref. No.	Part No.	Description	No. off	Matl. Spec.	Cl. of Equip M.R. L.M.	Plate No.
16031	EA1.20.4819	. . CONDUIT, vent heater, bay No. 3, port	1	—	C	UC3/31
16032	EA1.20.4820	. . CONDUIT, vent heater, bay No. 3, starboard	1	—	C	UC3/32
16170	EA1.20.11031	. . CONDUIT, vent heater, bay No. 5, port	1	—	C/MR	UC3/33
16171	EA1.20.11032	. . CONDUIT, vent heater, bay No. 5, starboard	1	—	C/MR	UC3/34
16466	EA6.57.21	. . CONNECTOR, rigid, tank unit, rib 5A to rib 5, port	1	—	C	UC3/35
16467	EA6.57.22	. . CONNECTOR, rigid, tank unit, rib 5A to rib 5, starboard	1	—	C	UC3/36
16468	EA6.57.23	. . CONNECTOR, rigid, tank unit, rib 3A to rib 3, port	1	—	C	UC3/37
16469	EA6.57.24	. . CONNECTOR, rigid, tank unit, rib 3A to rib 3, starboard	1	—	C	UC3/38
20786	EA6.57.31	. . CONNECTOR, rigid, tank unit, cable to rib 3A	1	—	C	UC3/39
16472	EA6.57.33	. . CONNECTOR, rigid, tank unit, cable to rib 4B, port	1	—	C	UC3/40
16473	EA6.57.34	. . CONNECTOR, rigid, tank unit, cable to rib 4B, starboard	1	—	C	UC3/41
16474	EA6.57.35	. . CONNECTOR, rigid, tank unit, rib 5 to unit, port	1	—	C	UC3/42
16475	EA6.57.36	. . CONNECTOR, rigid, tank unit, rib 5 to unit, starboard	1	—	C	UC3/43
16476	EA6.57.37	. . CONNECTOR, rigid, tank unit, rib 3 to unit, port	1	—	C	UC3/44
16477	EA6.57.38	. . CONNECTOR, rigid, tank unit, rib 3 to unit, starboard	1	—	C	UC3/45
21725	EB7.57.281	. . CONNECTOR, rigid, tank unit, rib 5A to rib 5B	1	—	C	UC3/46
21726	EB7.57.283	. . CONNECTOR, rigid, tank unit, rib 3A to rib 3B	1	—	C	UC3/47
21728	EB7.57.291	. . CONNECTOR, rigid, tank unit, rib 4B to rib 5A, port	1	—	C	UC3/48
21729	EB7.57.292	. . CONNECTOR, rigid, tank unit, rib 4B to rib 5A, starboard	1	—	C	UC3/49
		Attaching parts for EA6.57.21, EA6.57.22, EA6.57.23, EA6.57.24, EA6.57.31, EA6.57.33, EA6.57.34, EA6.57.35, EA6.57.36, EA6.57.37, EA6.57.38, EB7.57.281, EB7.57.283, EB7.57.291 and EB7.57.292:—				
28D/9436920	A25/1C	. . Bolt, 2BA	QR	—	C	UC3/50
28D/9133011	A25/2C	. . Bolt, 2BA	QR	—	C	UC3/51
28D/9133012	A25/3C	. . Bolt, 2BA	QR	—	C	UC3/52
28M/1278190	AGS2001C/1/66	. . Nut, stiff, 2BA	QR	—	C	UC3/53
28M/9433473	AGS2002C1	. . Nut, stiff, 2BA	QR	—	C	UC3/54
28W/9419475	SP15C	. . Washer	QR	—	C	UC3/55
16240	EB6.20.31	. . EXTENSION, nitrogen purging pipe, bay No. 5, port (Pre—Mod 3432)	2	—	C	UC3/56
16241	EB6.20.32	. . EXTENSION, nitrogen purging pipe, bay No. 5, starboard (Pre—Mod 3432)	2	—	C	UC3/57
16244	EB6.20.35	. . EXTENSION, vent pipe, bay No. 3, port	1	—	C	UC3/58
16245	EB6.20.36	. . EXTENSION, vent pipe, bay No. 3, starboard	1	—	C	UC3/59
16248	EB6.20.39	. . EXTENSION, vent pipe, bay No. 4, port	1	—	C	UC3/60
16249	EB6.20.40	. . EXTENSION, vent pipe, bay No. 4, starboard	1	—	C	UC3/61

TANKS  
INTEGRAL FUEL TANKS

Ref. No.	Part No.	Description	No. off	Matl. Spec.	Cl. of Equip	Plate No.
					M.R. L.M.	
		1 2 3 4 5 6				
28D/1008149 28M/1086618 28W/9419474	EB7.57.275	. . FAIRLEAD, at ribs 3A, 3B, 5A and 5 (Mod 1491)	4	LFS21	—	UC4/1
	EB7.57.289	. . FAIRLEAD, at rib 3	1	LFS21	—	UC4/2
	A25/2B	. . Attaching parts for EB7.57.275 and EB7.57.289:—	2	—	C	UC4/3
	AGS2002B1	. . Bolt, 4BA	2	—	C	UC4/4
	SP15B	. . Nut, stiff, 4BA . . Washer	2	—	C	UC4/5
15987 16266 16267  21749 21756 21757 21752 21753 16234 16235 16236 16237 16238 16239	EEAS77/72	. . HOSE, rubber, coupling nitrogen purging pipes	7	DTD625	LM	UC4/6
	EA1.20.5409	. . PIPE, drain, assembly, inboard filler cap to fuel vent drain pipe tee, port	1	—	—	UC4/7
	EA1.20.5410	. . PIPE, drain, assembly, inboard filler cap to fuel vent drain pipe tee, starboard	1	—	—	UC4/8
	EA1.20.5417	. . PIPE, drain, assembly, outboard filler cap to fuel vent, drain pipe tee, port	1	—	—	UC4/9
	EA1.20.5418	. . PIPE, drain, assembly, outboard filler cap to fuel vent, drain pipe tee, starboard	1	—	—	UC4/10
	EA1.20.4279	. . PIPE, fuel pump compartment to bay No. 3	1	—	—	UC4/11
	EB6.20.387	. . PIPE, fuel, in bay No. 3, port	1	—	C	UC4/12
	EB6.20.388	. . PIPE, fuel, in bay No. 3, starboard	1	—	C	UC4/13
	EA1.20.5401	. . PIPE, fuel, vent drain, assembly, upper bay No. 3, port	1	—	—	UC4/14
	EA1.20.5402	. . PIPE, fuel, vent drain, assembly, upper bay No. 3, starboard	1	—	—	UC4/15
	EA1.20.5405	. . PIPE, fuel, vent drain, assembly, lower bay No. 3, port	1	—	—	UC4/16
	EA1.20.5406	. . PIPE, fuel, vent drain, assembly, lower bay No. 3, starboard	1	—	C	UC4/17
	EA1.20.5421	. . PIPE, fuel, vent drain, assembly, upper bay No. 5, port	1	—	C	UC4/18
	EA1.20.5422	. . PIPE, fuel, vent drain, assembly, upper bay No. 5, starboard	1	—	C	UC4/19
	EA1.20.5413	. . PIPE, fuel, vent drain, assembly, lower bay No. 5, port	1	—	C	UC4/20
	EA1.20.5414	. . PIPE, fuel, vent drain, assembly, lower bay No. 5, starboard	1	—	C	UC4/21
	EB6.20.25	. . PIPE, nitrogen purging, bay No. 2, port (Pre—Mod 3432)	1	—	C	UC4/22
	EB6.20.26	. . PIPE, nitrogen purging, bay No. 2, starboard (Pre—Mod 3432)	1	—	C	UC4/23
	EB6.20.27	. . PIPE, nitrogen purging, bay No. 2, port (Pre—Mod. 3432)	1	—	C	UC4/24
	EB6.20.28	. . PIPE, nitrogen purging, bay No. 2, starboard (Pre—Mod. 3432)	1	—	C	UC4/25
EB6.20.29	. . PIPE, nitrogen purging, bay No. 2, port (Pre—Mod 3432)	1	—	C	UC4/26	
EB6.20.30	. . PIPE, nitrogen purging, bay No. 2, starboard (Pre—Mod. 3432)	1	—	C	UC4/27	

TANKS  
INTEGRAL FUEL TANKS

Ref. No.	Part No.	Description	No. off	Matl. Spec.	Cl. of Equip M.R. L.M.	Plate No.
16246	EB6.20.37	. . . PIPE, nitrogen purging, bay No. 4, port (Pre—Mod 3432)	1	—	C	UC4/28
16247	EB6.20.38	. . . PIPE, nitrogen purging, bay No. 4, starboard (Pre—Mod 3432)	1	—	C	UC4/29
16252	EB6.20.43	. . . PIPE, nitrogen purging, bay No. 4, port (Pre—Mod 3432)	1	—	C	UC4/30
16253	EB6.20.44	. . . PIPE, nitrogen purging, bay No. 4, starboard (Pre—Mod 3432)	1	—	C	UC4/31
16242	EB6.20.33	. . . PIPE, vent, bay No. 3, port	1	—	C	UC4/32
16243	EB6.20.34	. . . PIPE, vent, bay No. 3, starboard	1	—	C	UC4/33
16250	EB6.20.41	. . . PIPE, vent, bay No. 5, port	1	—	C	UC4/34
16251	EB6.20.42	. . . PIPE, vent, bay No. 5, starboard	1	—	C	UC4/35
16075	EA1.20.5103	. . . PLUG, screwed, slinging point blanking	3	—	C	UC4/36
28R/9719126	AGS566B	. . . PLUG, vent valve blanking	1	—	C	UC3/62
30996	EB6.20.1157	. . . RING, bolt, half filler cap	2	S510	C	UC3/63
15973	EA1.20.4153	. . . SEAL	2	Neo-K-Tex	C	UC4/37
6927	EA1.20.5099	. . . SEAL	3	Neo-K-Tex	C	UC4/38
16042	EA1.20.4831	. . . SEAL, filler cap	2	Neo-K-Tex	C	UC3/64
16043	EA1.20.4833	. . . SEAL, vent valve	2	Neo-K-Tex	C	UC4/39
15993	EA1.20.4413	. . . SKIN, LEADING EDGE, INTEGRAL TANK BAY No. 2, PORT, ASSEMBLY (PRE—MOD 1871)	1	—	—	
39491	EB6.20.827	. . . SKIN, LEADING EDGE, INTEGRAL TANK BAY No. 2, PORT, ASSEMBLY (MOD 1781)	1	—	—	UC4/40
15994	EA1.20.4414	. . . SKIN, LEADING EDGE, INTEGRAL TANK BAY No. 2, STARBOARD, ASSEMBLY (PRE—MOD 1871)	1	—	—	
39492	EB6.20.828	. . . SKIN, LEADING EDGE, INTEGRAL TANK BAY No. 2, STARBOARD, ASSEMBLY (MOD. 1781)	1	—	—	UC4/41
		Spares for:—				
25796	EB6.20.839	. . . COVER, access, fuel contents unit, port (Mod 1463)	1	—	C	UC4/42
25797	EB6.20.840	. . . COVER, access, fuel contents unit, starboard (Mod. 1463)	1	—	C	UC4/43
		Attaching parts for EB6.20.839 & EB6.20.840:—				
1028	EEAS1/3C	. . . Screw, 2BA (Mod 1463)	13	S96	C	UC4/44
1034	EEAS1/3E	. . . Screw, 1/4" BSF (Mod. 1463)	12	S96	C	UC4/45
16012	EA1.20.4701	. . . PACKING (Pre—Mod 1715)	2	—	C	UC4/45A
25794	EB6.20.837	. . . PLATE, landing, access cover, assembly, port (Mod 1463)	1	—	C	UC4/46
25795	EB6.20.838	. . . PLATE, landing, access cover, assembly, starboard (Mod 1463)	1	—	C	UC4/47
		Attaching parts for EB6.20.837 & EB6.20.838:—				
3524	EEAS134/2 1/2C	. . . Bolt, 2BA (Mod. 1463)	20	—	C	UC4/48
22151	EEAS135/2 1/2E	. . . Bolt, 1/4" BSF (Mod 1463)	14	—	C	UC4/49
28M/1006473	A27CT	. . . Nut, thin, 2BA (Mod 1463)	20	—	C	UC4/50
28M/1007403	E27ET	. . . Nut, thin, 1/4" BSF (Mod 1463)	14	—	C	UC4/51
28W/9419404	SP16C	. . . Washer (Mod 1463)	20	—	C	UC4/52
28W/9419487	SP16E	. . . Washer (Mod 1463)	14	—	C	UC4/53

TANKS  
INTEGRAL FUEL TANKS

Ref. No.	Part No.	Description	No. off	Mati. Spec.	Cl. of Equip M.R. L.M.	Plate No.
16085	EA1.20.5131	. . . PLATE, nut fuel pump access cover attachment (Pre—Mod 1463)	2	—	C	UC4/54
20770	EB6.20.755	. . . PLATE, nut, fuel pump access cover, attachment (Mod. 1463)	2	—	C	
28S/9145425	No. 4 x 1/4"	. . . Attaching parts for EB6.20.755 & EA1.20.5131:— Screw, self tapping type 4100 (Mod. 1715)	8	—	C	UC4/55
16084	No. 4 x 5/16"	. . . Screw, self tapping, type 4100 (Mod 1463)	8	—	C	
20771	EA1.20.5129	. . . RING, nut fuel pump access cover attachment (Pre—Mod. 1463)	2	—	C	UC4/56
28S/9145425	EB6.20.757	. . . RING, nut, fuel pump access cover attachment Attaching parts for EB6.20.757 & EA1.20.5129:—	2	—	C	
6926	No. 4 x 1/4"	. . . Screw, self tapping, type 4100 (Mod. 1715)	12	—	C	UC4/57
2621	No. 4 x 5/16"	. . . Screw, self tapping, type 4100 (Mod 1463)	12	—	C	
5842	EB6.20.279	. . . RING, sealing, fuel pump access cover	1	—	C	UC4/58
28M/1006473	EEAS104	. . . VALVE, water, drain Attaching parts for EEAS104:—	3	—	C	UC4/59
28W/9419404	EEAS134/2C	. . . Bolt, 2BA	2	—	C	UC4/60
15995	A27CT	. . . Nut, thin, 2BA	2	—	C	UC4/61
15996	SP16C	. . . Washer	2	—	C	UC4/62
15995	EA1.20.4415	. . . SKIN, LEADING EDGE, INTEGRAL TANK BAY No. 3, PORT, ASSEMBLY (PRE—MOD 1781)	1	—	—	
15996	EB6.20.829	. . . SKIN, LEADING EDGE, INTEGRAL TANK BAY No. 3 PORT, ASSEMBLY (MOD 1781)	1	—	—	UC5/1
15996	EA1.20.4416	. . . SKIN, LEADING EDGE, INTEGRAL TANK BAY No. 3, STARBOARD, ASSEMBLY (PRE—MOD 1781)	1	—	—	
15996	EB6.20.830	. . . SKIN, LEADING EDGE, INTEGRAL TANK BAY No. 3, STARBOARD, ASSEMBLY (MOD 1781) Spares for:—	1	—	—	UC5/2
15996	EA9.20.2767 or	. . . ADAPTOR, water drain valve (Mod 1781)	1	—	C	UC5/3
41888	EA9.20.47	. . . ADAPTOR, water drain valve (Mod 1781)	1	—	C	UC5/4
25801	EB6.20.847	. . . COVER, access, fuel contents unit, port (Mod 1781)	1	—	C	UC5/5
25802	EB6.20.848	. . . COVER, access, fuel contents unit, starboard (Mod 1781) Attaching parts for EB6.20.847 & EB6.20.848:—	1	—	C	UC5/6
1028	EEAS1/3C	. . . Screw, 2BA (Mod 1781)	14	S96	C	UC5/7
1034	EEAS1/3E	. . . Screw, 1/4" BSF (Mod. 1781)	10	S96	C	UC5/8

TANKS  
INTEGRAL FUEL TANKS

Ref. No.	Part No.	Description 1 2 3 4 5 6	No. off	Matl. Spec.	Cl. of Equip M.R. L.M.	Plate No.
25799	EB6.20.845	. . . . PLATE, landing, assembly, port (Mod 1781)	1	—	C	UC5/9
25800	EB6.20.846	. . . . PLATE, landing, assembly, starboard (Mod 1781)	1	—	C	UC5/10
		Attaching parts for EB6.20.845 & EB6.20.846:—				
3524	EEAS134/2½C	. . . . Bolt, 2BA	18	—	C	UC5/11
22151	EEAS135/2½E	. . . . Bolt, ¼" BSF (Mod 1781)	14	—	C	UC5/12
28M/1006473	A27CT	. . . . Nut, thin 2BA (Mod 1781)	18	—	C	UC5/13
28M/1007403	A27ET	. . . . Nut, thin ¼" BSF (Mod 1781)	14	—	C	UC5/14
28W/9419404	SP16C	. . . . Washer (Mod 1781)	18	—	C	UC5/15
28W/9419487	SP16E	. . . . Washer (Mod 1781)	14	—	C	UC5/16
2621	EEAS104	. . . . VALVE, water drain Attaching parts for EEAS104:—	1	—	C	UC5/17
5842	EEAS134/2C	. . . . Bolt, 2BA	2	—	C	UC5/18
28M/1006473	A27CT	. . . . Nut, thin 2BA	2	—	C	UC5/19
28W/9419402	SP13C	. . . . Washer	2	—	C	UC5/20
15997	EA1.20.4417	. . . SKIN, LEADING EDGE, INTEGRAL TANK BAY No. 4, PORT, ASSEMBLY (PRE—MOD 1781)	1	—	—	
	EB6.20.831	. . . SKIN, LEADING EDGE, INTEGRAL TANK BAY No. 4, PORT, ASSEMBLY (MOD 1781)	1	—	—	UC5/21
15997	EA1.20.4417	. . . SKIN, LEADING EDGE, INTEGRAL TANK BAY No. 4, STARBOARD, ASSEMBLY (PRE—MOD 1781)	1	—	—	
40425	EB6.20.832	. . . SKIN, LEADING EDGE, INTEGRAL TANK BAY No. 4, STARBOARD, ASSEMBLY (MOD 1781)	1	—	—	UC5/22
		Spares for:—				
25805	EB6.20.915	. . . . COVER, access, fuel contents, unit, port (Mod 1781)	1	—	C	UC5/23
25806	EB6.20.916	. . . . COVER, access, fuel contents unit, starboard (Mod. 1781)	1	—	C	UC5/24
		Attaching parts for EB6.20.915 & EB6.20.916:—				
1028	EEAS1/3C	. . . . Screw, 2BA (Mod 1781)	14	S96	C	UC5/25
1034	EEAS1/3E	. . . . Screw, ¼" BSF (Mod 1781)	10	S96	C	UC5/26
25803	EB6.20.913	. . . . PLATE, landing, assembly, port (Mod 1781)	1	—	—	UC5/27
25804	EB6.20.914	. . . . PLATE, landing, assembly, starboard (Mod 1781)	1	—	—	UC5/28
		Attaching parts for EB6.20.913 and EB6.20.914:—				
3524	EEAS134/2½C	. . . . Bolt, 2BA (Mod 1781)	20	—	C	UC5/29
22151	EEAS135/2½E	. . . . Bolt, ¼" BSF (Mod 1781)	12	—	C	UC5/30
28M/1006473	A27CT	. . . . Nut, thin, 2BA (Mod 1781)	20	—	C	UC5/31
28M/1007403	A27ET	. . . . Nut, thin, ¼" BSF (Mod 1781)	12	—	C	UC5/32
28W/9419404	SP16C	. . . . Washer (Mod. 1781)	20	—	C	UC5/33
28W/9419487	SP16E	. . . . Washer (Mod 1781)	12	—	C	UC5/34

TANKS  
INTEGRAL FUEL TANKS

Ref. No.	Part No.	Description	No. off	Matl. Spec.	Cl. of Equip M.R. L.M.	Plate No.
2621	EEAS104	. . . VALVE, water drain Attaching parts for EEAS104:—	1	—	C	UC5/17
5842	EEAS134/2C	. . . Bolt, 2BA	2	—	C	UC5/18
28M/1006473	A27CT	. . . Nut, thin, 2BA	2	—	C	UC5/19
28W/9419402	SP13C	. . . Washer	2	—	C	UC5/20
15999	EA1.20.4419	. . SKIN, LEADING EDGE, INTEGRAL TANK BAY No. 5, PORT, ASSEMBLY (PRE—MOD 1781)	1	—	—	
40401	EB6.20.833	. . SKIN, LEADING EDGE, INTEGRAL TANK, BAY No. 5, PORT, ASSEMBLY (MOD 1781)	1	—	—	UC6/1
16000	EA1.20.4420	. . SKIN, LEADING EDGE, INTEGRAL TANK BAY No. 5, STARBOARD, ASSEMBLY (PRE—MOD 1781)	1	—	—	
40402	EB6.20.834	. . SKIN, LEADING EDGE, INTEGRAL TANK, BAY No. 5, STARBOARD, ASSEMBLY (MOD 1781)	1	—	—	UC6/2
	EA9.20.2767	Spares for:— . . . ADAPTOR, water drain valve	1	—	—	UC6/3
	or					
41888	EA9.20.47	. . . ADAPTOR, water drain valve	1	—	—	UC6/4
25809	EB6.20.927	. . . COVER, access, fuel contents unit, port (Mod 1781)	1	—	C	UC6/5
25810	EB6.20.928	. . . COVER, access, fuel contents unit, starboard (Mod 1781)	1	—	C	UC6/6
		Attaching parts for EB6.20.927 and EB6.20.928:—				
1028	EEAS1/3C	. . . Bolt, 2BA (Mod 1781)	14	—	C	UC6/7
1034	EEAS1/3E	. . . Bolt, 1/4" BSF (Mod 1781)	10	—	C	UC6/8
25807	EB6.20.925	. . . PLATE, landing, assembly (Mod 1781)	1	—	—	UC6/9
25808	EB6.20.926	. . . PLATE, landing, assembly (Mod 1781)	1	—	—	UC6/10
		Attaching parts for EB6.20.925 and EB6.20.926:—				
3524	EEAS134/2 1/2C	. . . Bolt, 2BA (Mod 1781)	18	—	C	UC6/11
22151	EEAS135/2 1/2C	. . . Bolt, 1/4" BSF (Mod. 1781)	16	—	C	UC6/12
28M/1006473	A27CT	. . . Nut, thin, 2BA (Mod. 1781)	18	—	C	UC6/13
28M/1007403	A27ET	. . . Nut, thin, 1/4" BSF (Mod. 1781)	16	—	C	UC6/14
28W/9419404	SP16C	. . . Washer (Mod 1781)	18	—	C	UC6/15
28W/9419487	SP16E	. . . Washer (Mod 1781)	16	—	C	UC6/16
2621	EEAS104	. . . VALVE, water drain Attaching parts for EEAS104:—	1	—	C	UC6/17
5842	EEAS134/2C	. . . Bolt, 2BA	2	—	C	UC6/18
28M/1006473	A27CT	. . . Nut, thin, 2BA	2	—	C	UC6/19
28W/9419402	SP13C	. . . Washer	2	—	C	UC6/20

TANKS  
INTEGRAL FUEL TANKS

Ref. No.	Part No.	Description	1 2 3 4 5 6						No. off	Matl. Spec.	Cl. of Equip M.R. L.M.	Plate No.
16471	EA6.57.29	. . . SUPPORT, cable Attaching parts for EA6.57.29:—						2	—	C	UC6/21	
28D/9419452	A25/3B	. . . Bolt, 4BA						2	—	C	UC6/22	
28M/1086618	AGS2002B1	. . . Nut, stiff, 4BA						2	—	C	UC6/23	
28W/9419474	SP15B	. . . Washer						2	—	C	UC6/24	
16470	EA6.57.27	. . . SUPPORT, connector Attaching parts for EA6.57.27:—						2	—	C	UC6/25	
28D/1008149	A25/2B	. . . Bolt, 4BA						3	—	C	UC6/26	
28M/1086618	AGS2002B1	. . . Nut, stiff 4BA						3	—	C	UC6/27	
28W/9419474	SP15B	. . . Washer, 4BA						3	—	C	UC6/28	
28F/8011811	AGS1118B	. . . TEE, connection, vent drain pipes						2	—	C	UC6/29	
30997	EB6.20.1153	. . . TUBE, fuelling Attaching parts for EB6.20.1153:—						1	—	C	UC3/62	
28D/9133011	A25/2C	. . . Bolt, 2BA						9	—	C	UC3/63	
28M/1006473	A27CT	. . . Nut, thin, 2BA						5	—	C	UC3/64	
28M/9433473	AGS2002C1	. . . Nut, stiff, 2BA						9	—	C	UC3/65	
28W/9419402	SP13C	. . . Washer						5	—	C	UC3/66	
30998	EB6.20.1159	. . . Washer, clamping, bolt ring						4	—	C	UC3/67	
16033	EA1.20.4821	. . . TUBE, static, vent, port, assembly						1	—	C	UC6/30	
16034	EA1.20.4822	. . . TUBE, static, vent, starboard, assembly						1	—	C	UC6/31	
6A/3560	SMITH WAYMOUTH TB113	. . . UNIT, tank, fuel contents at rib 3A						1	—	B	UC6/32	
6A/3559	SMITH WAYMOUTH TB112	. . . UNIT, tank, fuel contents at rib 3B						1	—	B	UC6/33	
6A/3558	SMITH WAYMOUTH TB111	. . . UNIT, tank, fuel contents at rib 5A						1	—	B	UC6/34	
6A/3557	TB110	. . . UNIT, tank, fuel contents, at rib 5B						1	—	B	UC6/35	
28445	EA1.20.4533	. . . VALVE, NON-RETURN, ASSEMBLY Spare for:—						1	—	C	UC6/36	
30999	EB6.20.1151	. . . BOLT, special (Make from A25/2C)						1	—	C	UC6/37	
	A61/27C	. . . BOLT						1	—	C	UC6/36A	
28M/9418914	AGS2002C3	. . . NUT, stiff						1	—	C	UC6/36B	
28M/9403520	A27CP	. . . NUT						1	—	C	UC6/36C	
21172	EA1.20.5125	. . . PIECE, distance						1	—	C		
	EA1.20.5117	. . . PLATE, cover						1	—	C	UC6/36D	
	EA1.20.5123	. . . TUBE, distance						1	—	C	UC6/36E	
27173	EA1.20.5119	. . . WASHER, Petrolite						1	—	C	UC6/38	
	EA1.20.5121	. . . WASHER, retaining						1	—	C	UC6/36F	
28W/9419405	SP15E	. . . WASHER						2	—	C	UC6/36G	
28W/9419475	SP15C	. . . WASHER						1	—	C	UC6/36H	
28D/9133011	A25/2C	. . . Bolt, 2BA						8	—	C	UC6/39	
28M/9433473	AGS2002C1	. . . Nut, stiff, 2BA						8	—	C	UC6/40	
28W/9419475	SP15C	. . . Washer						6	—	C	UC6/41	

TANKS  
INTEGRAL FUEL TANKS

Ref. No.	Part No.	Description	No. off	Matl. Spec.	Cl. of Equip M.R. L.M.	Plate No.
28444	EB6.20.795	. . . VALVE, NON-RETURN, ASSEMBLY (MOD 1781) Spares for:—	1	—	C	UB6/42
30999	EB6.20.1157	. . . BOLT, special (Make from A25/2C)	1	—	C	UB6/37
	A61/27C	. . . BOLT	1	—	C	UC6/36A
28M/9418914	AGS2002C3	. . . NUT, stiff	1	—	C	UC6/36B
28M/9403520	A27CP	. . . NUT	1	—	C	UC6/36C
21172	EA1.20.5125	. . . PIECE, distance	1	—	C	
	EA1.20.5117	. . . PLATE, cover	1	—	C	UC6/36D
	EA1.20.5123	. . . TUBE, distance	1	—	C	UC6/36E
27173	EA1.20.5119	. . . WASHER, Petrolite	1	—	C	UC6/38
	EA1.20.5121	. . . WASHER, retaining	1	—	C	UC6/36F
28W/9419405	SP15E	. . . WASHER	2	—	C	UC6/36G
28W/9419475	SP15C	. . . WASHER	1	—	C	UC6/36H
		Attaching parts for EB6.20.795:—				
28D/9133012	A25/3C	. . . Bolt, 2BA	6	—	C	UC6/44
28D/9140203	AS1246/3C	. . . Bolt, round head	2	—	C	UC6/45
28M/9433473	AGS2002C1	. . . Nut, stiff, 2BA	8	—	C	UC6/46
28W/9419475	SP15C	. . . Washer	2	—	C	UC6/47
28W/9419404	SP16C	. . . Washer	2	—	C	UC6/48
27120	EA2.57.745	. . . VALVE, non-return, nitrogen purging pipe lines (Pre—Mod 3432)	2	—	B	UC6/49
12016	EA1.57.663	. . . VALVE, VENT, PORT, ASSEMBLY	2	—	B	UC7/1
12017	EA1.57.664	. . . VALVE, VENT, STARBOARD, ASSEMBLY	2	—	B	UC7/2
		Spares for:—				
37568	EA1.57.919	. . . ARM, float pivot	1	—	—	UC7/3
		Attaching parts for EA1.57.919:—				
28D/1010030	A25/7C	. . . Bolt, 2BA	1	—	C	UC7/4
28M/5808573	A27CS	. . . Nut, slotted, 2BA	1	—	C	UC7/5
28W/9419475	SP15C	. . . Washer	2	—	C	UC7/6
37567	EA1.57.913	. . . BALL-JOINT, ASSEMBLY	1	—	C/MR	UC7/7
37865	EA1.57.1337	. . . BOLT, special, vent valve top and bottom element housing (Make from A25/2C)	6	—	C/MR	UC7/8
25722	EA1.57.891	. . . CONNECTION, screwed, vent heater cable	1	—	C/MR	UC7/9
21938	EA1.57.887	. . . COVER, valve	1	L72	C	UC7/10
		Attaching parts for EA1.57.887:—				
28S/9995325	A33B8	. . . Screw, csk. head, 4BA	7	—	C	UC7/11
36838	EA1.57.1121	. . . FLOAT, ASSEMBLY	1	—	B/MR	UC7/12
		Attaching parts for EA1.57.1121:—				
28D/1009984	A25/7B	. . . Bolt, 4BA	1	—	C	UC7/13
28M/1278189	AGS2001B1	. . . Nut, stiff, 4BA	1	—	C	UC7/14
28W/9419465	SP13B	. . . Washer	1	—	C	UC7/15
21764	EA1.57.885	. . . GASKET, 3.5" o/d (Pre—Mod. 2720)	1	Hycar Shore 45-50	C	
37821	EB6.57.135	. . . GASKET, 3.5" o/d (Mod 2720)	1	Hycar HE/4	C	UC7/16
5X/6462745	HC304	. . . LUG, vent heater cable	4	—	C	UC7/17
37569	EA1.57.923	. . . PLATE, rubber washer, retaining	1	L72	C/MR	UC7/18
		Attaching parts for EA1.57.923:—				
28M/9433473	AGS2002C1	. . . Nut, stiff, 2BA	1	—	C	UC7/19
28W/9419475	SP15C	. . . Washer	1	—	C	UC7/20

TANKS  
INTEGRAL FUEL TANKS

Ref. No.	Part No.	Description	No. off	Matl. Spec.	Cl. of Equip M.R. L.M.	Plate No.
21767	EA1.57.895	. . . RING, joint (Pre—Mod 2720)	1	Hycar Shore 45-50	C	
37820	EB6.57.131	. . . RING, joint (Mod 2720)	1	Hycar HE/4 Shore 62	C	UC7/21
25729	EA1.57.899	. . . SOCKET, plug, vent heater cable	2	—	C/MR	UC7/22
13159	EA3.57.523	. . . VALVE, VENT, SUB-ASSEMBLY (PRE—MOD 2721)	1	—	B	
32663	EB6.57.141	. . . VALVE, VENT, SUB-ASSEMBLY (MOD 2721) Consisting of:—	1	—	B	UC7/23
21766	EA1.57.893	. . . . GASKET, 3.5" o/d (Pre—Mod 2721)	1	Hycar Shore 50	C	
37822	EB6.57.137	. . . . GASKET, 3.5" o/d (Mod 2721)	1	Hycar SH50	C	UC7/24
21771	EA1.57.1097	. . . . GASKET, 1.8" o/d (Pre—Mod 2721)	1	Hycar Shore 50	C	
32664	EB6.57.133	. . . . GASKET, 1.8" o/d (Mod 2721)	1	Hycar SH50	C	UC7/25
21765	EA1.57.889	. . . . GUIDE, plug	1	LFS21	C	UC7/26
26681	EA1.57.881	. . . . HEAD, valve	1	DTD276	C	UC7/27
21772	EA1.57.1191	. . . . HEATER, vent valve	1	—	C	UC7/28
25881	EA1.57.877	. . . . HOUSING, element, bottom half	1	L51 or DTD276	C/MR	UC7/29
27191	EA1.57.879	. . . . HOUSING, element, top half	1	L51 or DTD276	C/MR	UC7/30
28M/1278190	AGS2001C1	. . . . NUT, stiff, 2BA	1	—	C	UC7/31
28P/9486478	SP90C5	. . . . PIN, cotter, split	1	—	C	UC7/32
27569	EA1.57.903	. . . . PLATE, retaining, valve	1	L72	C/MR	UC7/33
25878	EA1.57.907	. . . . PLATE, spring, retaining	1	DTD124	C/MR	UC7/34
21768	EA1.57.897	. . . . PLUG	2	—	C	UC7/35
21770	EA1.57.905	. . . . RING, valve	1	—	C	UC7/36
28S/1202639	A33C8	. . . . SCREW, csk. head 2BA	3	—	C	UC7/37
28S/9435716	A33B12	. . . . SCREW, csk. head 4BA	2	—	C	UC7/38
6922	EB6.57.81	. . . . SPRING, 20 SWG	1	DTD215	C	UC7/39
25879	EA1.57.1103	. . . . SPRING, 18 SWG	1	DTD215	C/MR	UC7/40
26682	EA1.57.1099	. . . . STEM, valve	1	DTD625	C/MR	UC7/41
21769	EA1.57.901	. . . . WASHER, valve, 1.35" o/d	1	Hycar	C	UC7/42
25877	EA1.57.921	. . . . WASHER, rubber	1	Hycar Shore 50	C/MR	UC7/43
21173	EA1.57.1321	. . . . WASHER, sealing	1	Hycar Shore 50	C	UC7/44
15964	EA1.20.3987	. . . WALL, END, ASSEMBLY, INBOARD, PORT	1	—	—	UC7/45
15965	EA1.20.3988	. . . WALL, END, ASSEMBLY, INBOARD, STARBOARD	1	—	—	UC7/46
26472	EA1.20.5275	. . . PLATE, MOUNTING, ASSEMBLY Spares for:—	1	—	—	UC7/47
6930	EA1.20.5265	. . . . RING, nut	1	—	C	UC7/48
28W/1202196	AGS568B	. . . WASHER, jointing	1	—	C	UC3/68
	EEAS20/3CU	. . . TAB, locking	4	—	C	UC1/36
2917	EEAS1/3½E	Attaching parts for EB7.00.111 and EB7.00.112:— Screw, ¼" BSF	522	—	C	UC1/37
18849	EEAS1/5½G	Screw, ⅝" BSF	22	—	C	UC1/38

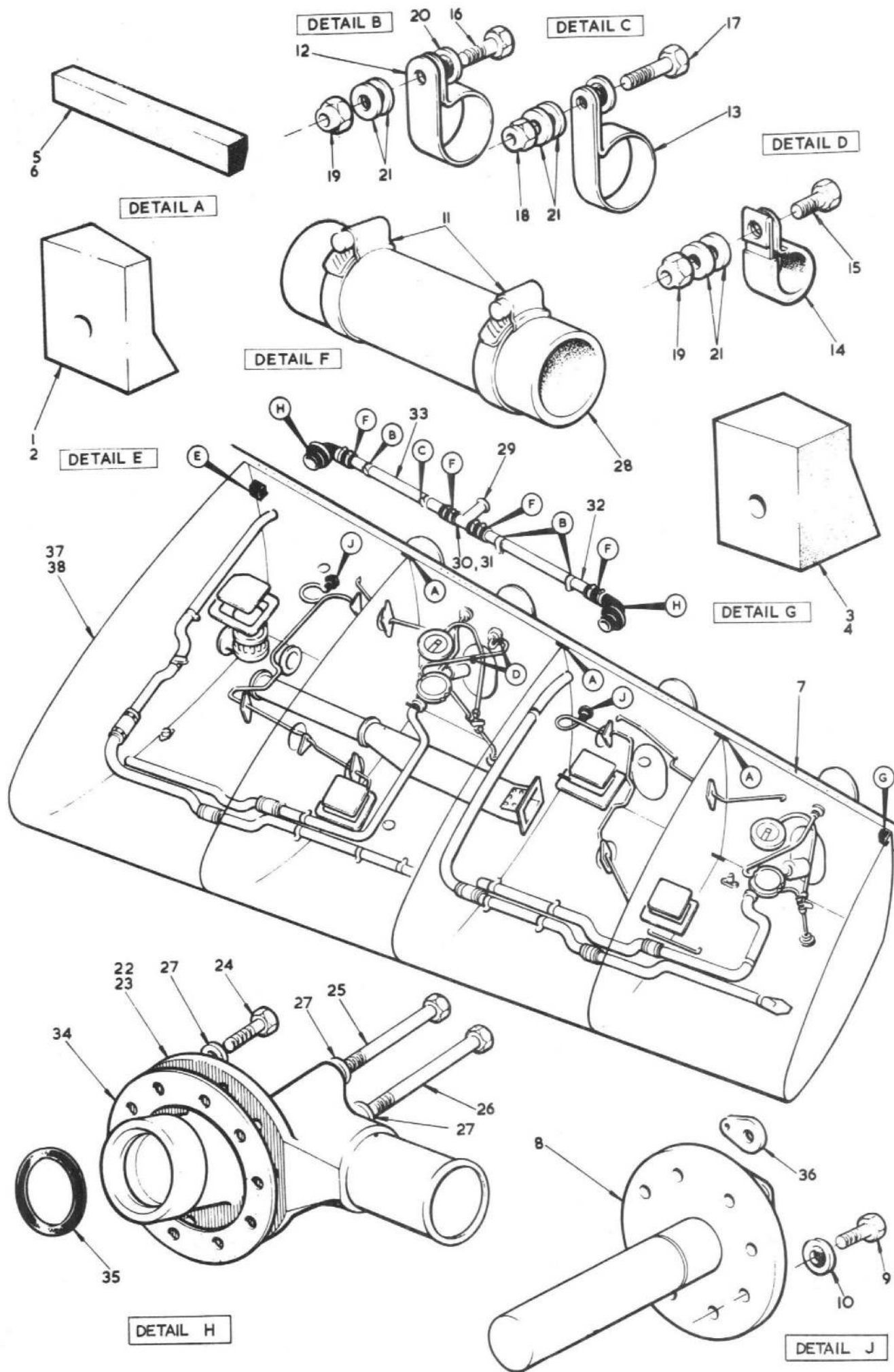


FIG.1 INTEGRAL FUEL TANKS

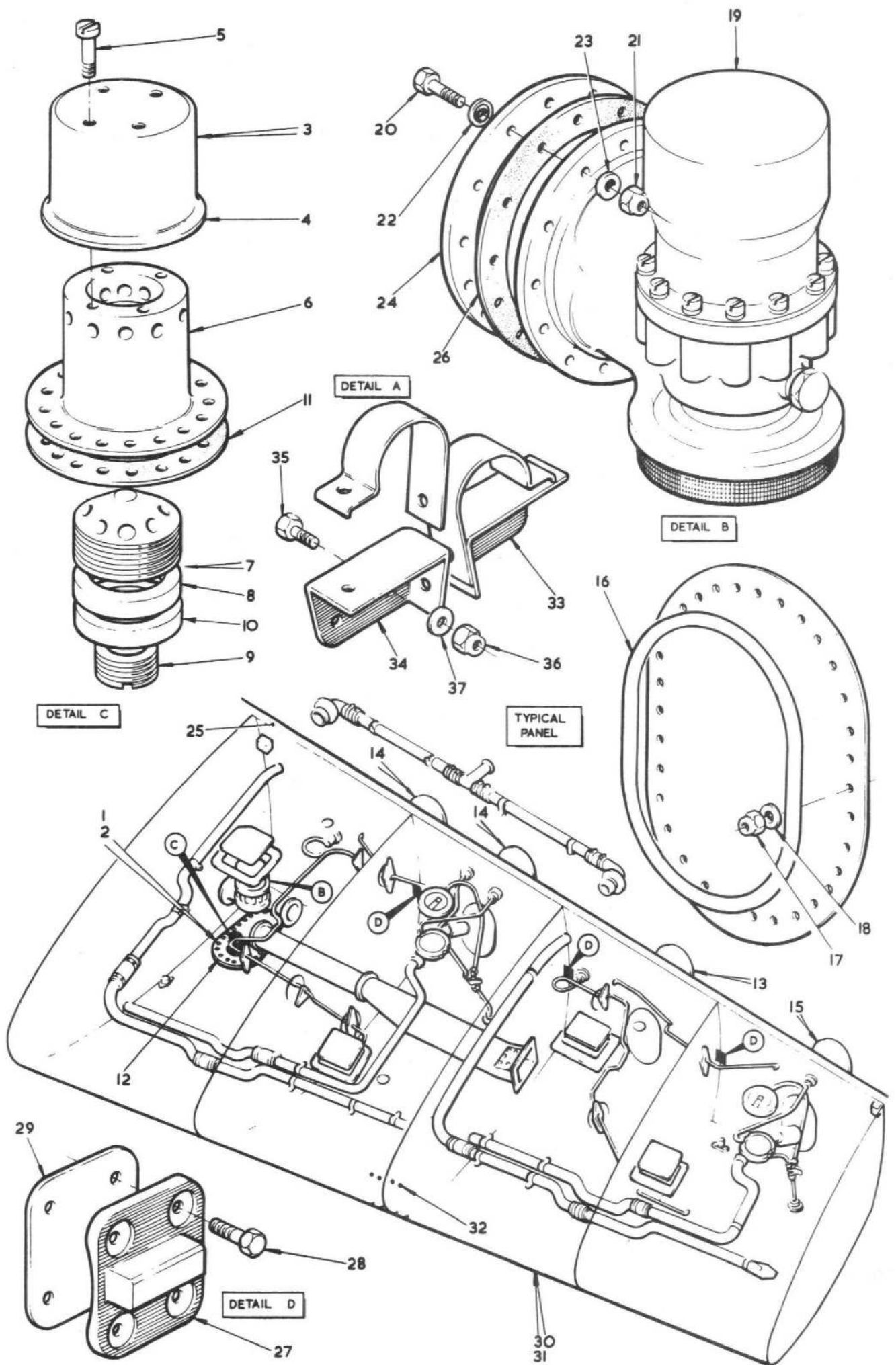


FIG.2 INTEGRAL FUEL TANKS



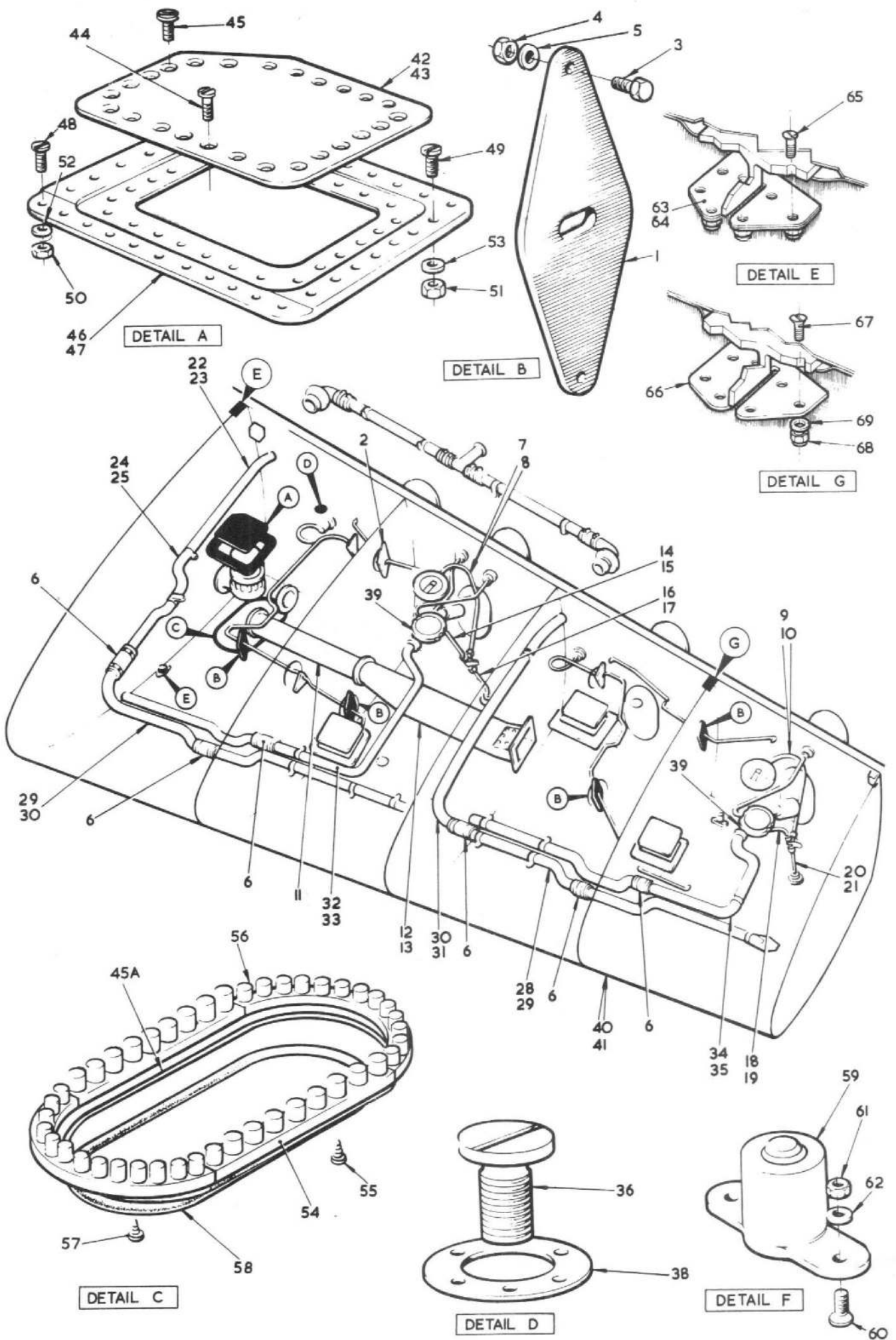


FIG.4 INTEGRAL FUEL TANKS

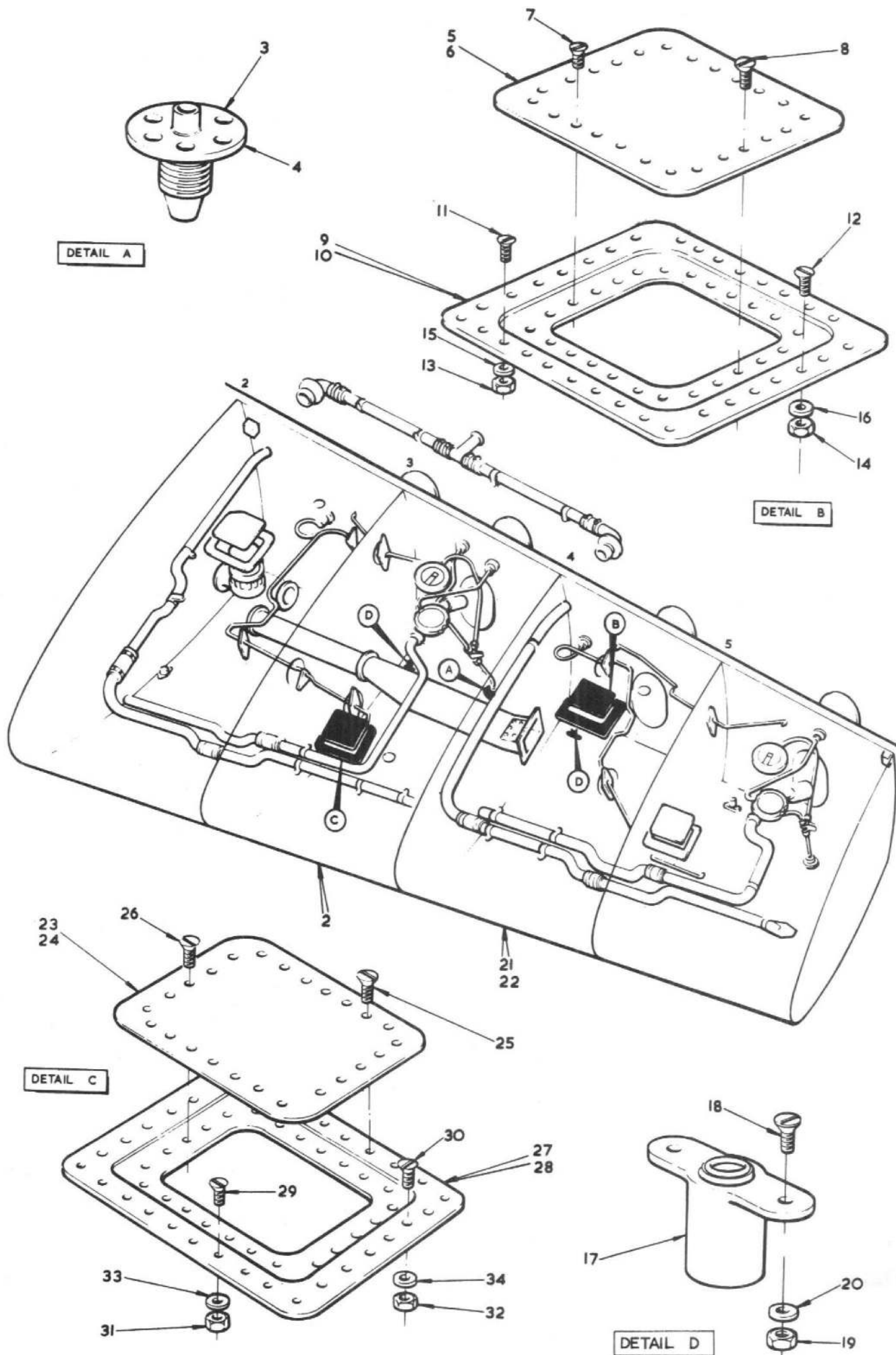


FIG.5 INTEGRAL FUEL TANKS

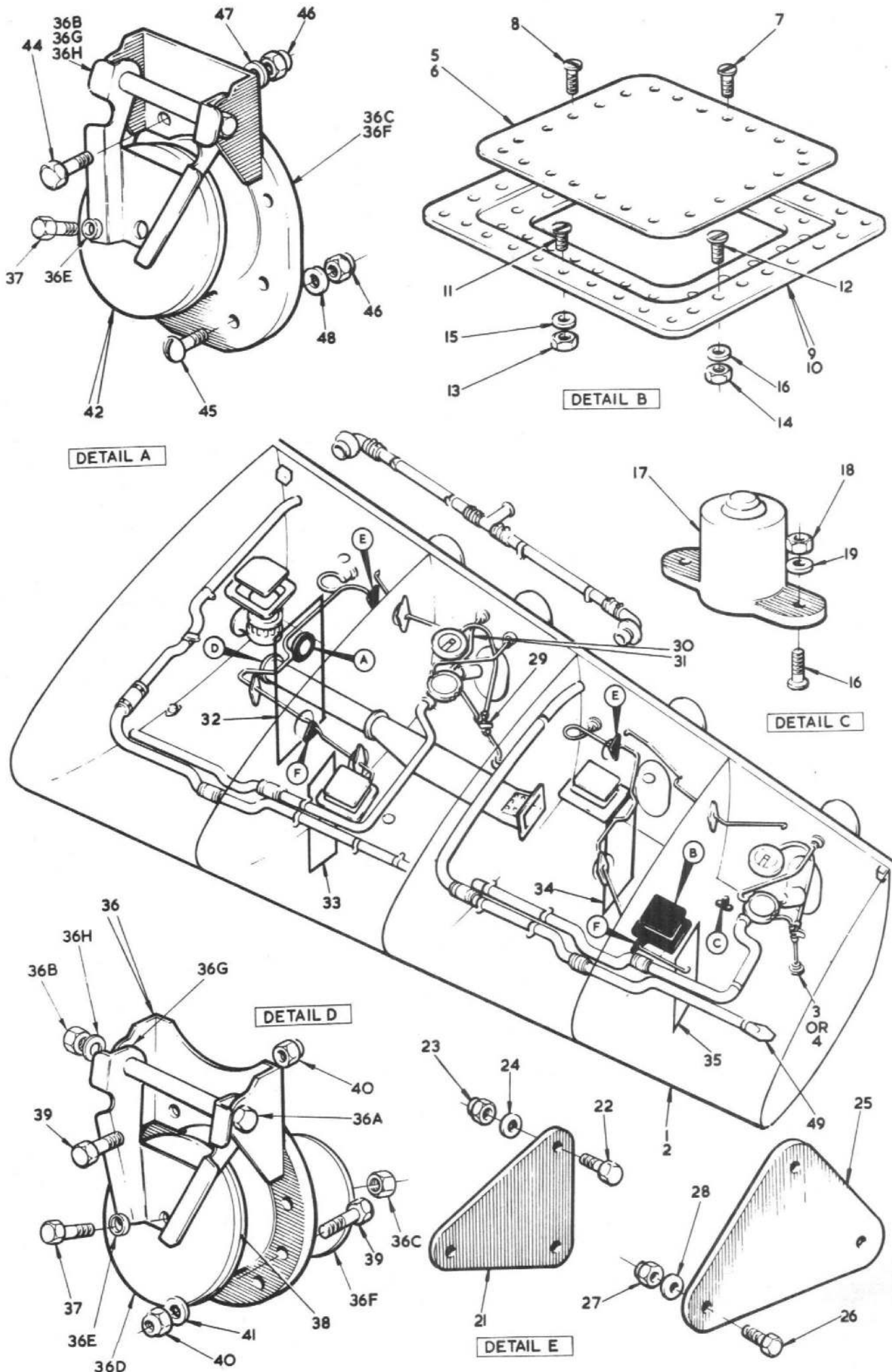


FIG.6 INTEGRAL FUEL TANKS

This file was downloaded  
from the RTFM Library.

Link: [www.scottbouch.com/rtfm](http://www.scottbouch.com/rtfm)

Please see site for usage terms,  
and more aircraft documents.

