

ELECTRICAL INSTALLATION
CENTRE FUSELAGE

Part No.	Description 1 2 3 4 5 6	No. off	Material Specification	Class of Eqpt M.R. or L.M.	Plate	
	ELECTRICAL INSTALLATION CENTRE FUSELAGE (EB8.81.1007)	-	-	-	DB1	R
	Spares for:					
EB8.81.2243	CABLE assy, "ES1"	1	-	C	DB1/1	
	EQUIPMENT, Frames 12B-13 (EB8.81.1055)	-	-	-	DB1/2	R
	Spares for:					
	BOX, Distribution No 4 Assembly (EB8.81.3789)	-	-	-	DB1/3	R
	Spares for:					
CZ50206	BLOCK, terminal, 3-way	2	-	C	DB1/4	
5X/1002694	BLOCK, terminal, 5-way	2	-	C	DB1/5	R
CZ24285	BLOCK, terminal, 10-way	2	-	C	DB1/6	
CZ23212/1	BLOCK, terminal, 20-way	3	-	C	DB1/7	
EB8.81.3795	LID, Distribution Box, Group	1	-	C	DB1/8	
	Spares for:					
Silent Bloc 30151	CUSHION, 1/16 in thick	4	-	C	DB1/9	R
Silent Bloc V2/0602	FASTENER, "Vibrex"	4	-	C	DB1/10	
Z50210	LINK, 2-way	10	-	C	DB1/11	
Z50218	LINK, 10-way	1	-	C	DB1/12	
5CW/5529	RELAY, type S5 (Pre Mod 4993)	12	-	C	DB1/13	R
5CW/5529	RELAY, Type S5 (Mod 4993)	7	-	C	DB1/14	R
Hall & Hall	SEAL (Make from Ref 30135)	AR	Rubber	LM	DB1/15	R
EB8.81.3101	LAMP, Warning, Fire Wire Test Switch Assembly	-	-	-	DB1/16	
	Spares for:					
5L/9951284	FILAMENT	1	-	C	DB1/17	
Type A	LAMP, warning red	1	-	C	DB1/18	
EB8.81.3107	LAMP, Forward Camera Bay Assembly	-	-	-	DB1/19	
	Spares for:					
5L/	FILAMENT, 28V.7W	1	-	C	DB1/20	
5CX/446	LAMP, cockpit, Mk.1A	1	-	C	DB1/21	R
EB8.81.3181	PANELS, Control In Camera Bay Assy	-	-	-	DB1/22	
	Spares for:					
Type 15	PANEL, control	2	-	P	DB1/23	
	Attachment of panel to structure					
A25/4E	Bolt, 1/4 in BSF	8	-	C	DB1/24	
SP15/E	Washer, 1/4 in	8	-	C	DB1/25	
EEAS132/9	STRAP, cable, 9 in long	20	Webbing	C	DB1/26	
EEAS132/12	STRAP, cable, 12 in long	4	Webbing	C	DB1/27	

ELECTRICAL INSTALLATION
CENTRE FUSELAGE

Part No.	Description	No. off	Material Specification	Class of Eqpt M.R. or L.M.	Plate						
						1	2	3	4	5	6
Hellerman HV3254 Hellerman HV3255	STRAP, "Helvin" 0.3 in wide	AR	-	C	DB1/28						
	STUD, "Helvin"	AR	-	C	DB1/29						
	SUPPORT, Camera Distribution Box Installation (Mod 5000 ALT/SB/9/032) (EB8.81.6837)	-	-	-	DB1/30						R
	Spares for:										
EB8.81.6837B	ANGLE, section (ALT/SB/9/032)	1	-	C	DB1/31						
EB8.81.6837J	ANGLE, clipping (ALT/SB/9/032)	1	-	C	DB1/32						
EB8.81.6837K	ANGLE, clipping (ALT/SB/9/032)	1	-	C	DB1/33						
EB8.81.6837G	BLOCK, tufnol (ALT/SB/9/032)	2	-	C	DB1/34						
A25/9C	BOLT, 2BA (ALT/SB/9/032)	4	-	C	DB1/35						
EB8.81.6837C	BRACKET, side (ALT/SB/9/032)	1	-	C	DB1/36						
EB8.81.6837D	BRACKET, side (ALT/SB/9/032)	1	-	C	DB1/37						
EB8.81.6837A	CHANNEL (ALT/SB/9/032)	1	-	C	DB1/38						
EB8.81.6837E	CLEAT (ALT/SB/9/032)	1	-	C	DB1/39						
EB8.81.6837F	CLEAT (ALT/SB/9/032)	1	-	C	DB1/40						
AGS2001/C1	NUT, stiff, 2BA (ALT/SB/9/032)	4	-	C	DB1/41						
EB8.81.6837H	PACKING (ALT/SB/9/032)	2	-	C	DB1/42						
No 7 Rayrim SP13/C	STRIP, edging (ALT/SB/9/032)	AR	-	C	DB1/43						
	WASHER, 2BA (ALT/SB/9/032)	4	-	C	DB1/44						
	EQUIPMENT, Frames 13-21 (EB8.81.1057)	-	-	-	DB2/1						R
	Spares for:										
EA2.73.53	CLIP, half	8	DTD710	C	DB2/2						
	Attachment of clip to bracket										
A25/1C	Bolt, 2BA	16	-	C	DB2/3						
A27/CP	Nut, 2BA	16	-	C	DB2/4						
SP47/C	Washer, single spring, 2BA	16	-	C	DB2/5						
EEAS73	PLATE, clamp	AR	-	C	DB2/6						
EEAS132/12	STRAP, cable, 12 in. long	AR	Webbing	C	DB2/7						
Hellerman HV3254 Hellerman HV3255	STRAP, "Helvin" 0.3 in wide	AR	-	C	DB2/8						
	STUD, "Helvin"	AR	-	C	DB2/9						
	EQUIPMENT, Frames 21B-22 (EB8.81.1059)	-	-	-	DB2/10						R
	Spares for:										
EB8.81.1893	BOX, Junction No.1 Assembly	-	-	-	DB2/11						
	Spares for:										
EA1.81.583	BOX, junction, 40-way	1	-	-	DB2/12						
EB8.81.1903	COVER, box	1	-	C	DB2/13						
EB8.81.1897	COVER, box	1	-	C	DB2/14						
EA1.81.461	PLATE, blanking	1	L72	C	DB2/15						
EB8.81.1895	BOX, Junction No 3 Assembly (Pre Mod 5478/P)	-	-	-	DB2/16						

Part No.	Description	No. off	Material Specification	Class of Eqpt M.R. or L.M.	Plate						
						1	2	3	4	5	6
EB8.81.1895x10	BOX, Junction No.3 Assembly (Mod 5478/P Satisfied by CM/CAN/0478/MC)	-	-	-	DB2/17						
	Spares for:										
EA1.81.583	BOX, junction, 40-way	1	-	-	DB2/18						
EB8.81.1905	COVER, box	1	-	C	DB2/19						
EB8.81.1897	COVER, box	1	-	C	DB2/20						
EA1.81.461 Smiths	PLATE, blanking	1	L72	C	DB2/21						
JLA103/111 Smiths	BOX, cable connector trimmer	1	-	L	DB2/22						
JLA103/41	BOX, cable connector trimmer	1	-	L	DB2/23						
EB8.81.6395	BRACKET, attachment (Mod 4262)	2	L72	C	DB2/24						
AS3180/4B	CLIP "P" (Pre Mod 5289)	9	-	C							
CZ62275	CONNECTOR, bulkhead, Mark 4	1	-	L	DB2/26						
Graviner E304	FUSE, indicator, Mark 2	1	-	C	DB2/27						
EB8.81.6129	GANG, switch assembly	1	DTD.5518	C	DB2/28						
EB8.81.2201	HOLDER, indicator fuse	1	-	C	DB2/29						
AGS2001/B1	NUT, 4BA	AR	-	C	DB2/30						
EB8.81.6329	PANEL, assembly, explosion protector (Mod 4262)	1	-	C	DB2/31						
EEAS73	PLATE, clamp	1	-	C	DB2/32						
CZ50370	PLUG, bulkhead, size D	4	-	C	DB2/33						
A31/B12	SCREW, 4BA	AR	-	C	DB2/34						
EEAS132/9 Hellerman HV3254	STRAP, cable	2	Webbing	C	DB2/35						
Hellerman HV3255	STRAP, "Helvin", 0.3 ins. wide	AR	-	C	DB2/36						
EB8.81.1853	STUD, "Helvin"	AR	-	C	DB2/37						
	TERMINAL, Earth Assembly	1	-	C	DB2/38						
	Spares for:										
EB8.81.1855	STUD, terminal	1	L65	C	DB2/39						
EB8.81.2177	WASHER	2	L72	C	DB2/40						
	EQUIPMENT, Frames 20-23 (EB8.81.1061)	-	-	-	DB3/1						
	Spares for:										
Smiths FAA	AMPLIFIER, fuel gauge	2	-	P	DB3/2						
	Attachment of amplifier to bracket										
AS1242/2C	Bolt, 2BA	8	-	C	DB3/3						
AGS2001/C1	Nut, 2BA	8	-	C	DB3/4						
SP16/C	Washer, 2BA	8	-	C	DB3/5						
5CZ/430	BLOCK, terminal 2-way	2	-	L	DB3/6						
	Attachment of terminal block to floor girder										
AGS2001/A1	Nut, 6BA	4	-	C	DB3/7						
A33/A20	Screw, 6BA	4	-	C	DB3/8						
CZ50205	BLOCK, terminal 2-way (Mod 3342)	1	-	L	DB3/9						

ELECTRICAL INSTALLATION
CENTRE FUSELAGE

Part No.	Description	No. off	Material Specification	Class of Eqpt M.R. or L.M.	Plate						
						1	2	3	4	5	6
	Attachment of block to floor girder										
AGS2001/B1	Nut, 4BA (Mod 3342)	2	-	C	DB3/10						
Z28426	Pillar, fixing (Mod 3342)	2	-	C	DB3/11						
SP13/B	Washer, 4BA (Mod 3342)	2	-	C	DB3/12						
CZ50206	BLOCK, terminal 3-way (Pre Mod 5478/S)	1	-	L	DB3/13						
5X/1002694	BLOCK, terminal 5-way (Mod 5478/S Satisfied by CM/CAN/0487/NEAF)	1	-	L	DB3/14						
	Attachment of block to floor girder										
AGS2001/B1	Nut, 4BA	2	-	C	DB3/15						
Z28426	Pillar, fixing	2	-	C	DB3/16						
SP13/B	Washer, 4BA	2	-	C	DB3/17						
Smiths	CONNECTOR, between tank units	1	-	L	DB3/18						R
CR/36	COVER, terminal block, 2-way (Mod 3342)	1	-	L	DB3/19						
CZ26799	COVER, terminal block 3-way (Pre Mod 5478/S)	1	-	L	DB3/20						
CZ26802	COVER, terminal block 5-way (Mod 5478/S Satisfied by CM/CAN/0487/NEAF)	1	-	L	DB3/21						
CZ26805	EQUIPMENT frames 23-24 (EB8.81.1063)	-	-	-	DB3/22						R
	Spares for:										
5CY/2967	SUPPRESSOR	2	-	P	DB4/23						R
	Attachment for suppressor to bracket										
A31/B20	Screw, 4BA	8	-	C	DB4/24						
SP13/B	Washer 4BA	8	-	C	DB4/25						
	EQUIPMENT, Frames 24-25 (EB8.81.1065)	-	-	-	DB3/26						R
	Spares for:										
Smiths	BRACKET, attachment, fuel gauge transmitter	1	-	L	DB4/27						
XA	TRANSMITTER, fuel gauge	1	-	P	DB4/28						
Smiths	Attachment of transmitter to bracket										
FAA	Bolt, 2BA	4	-	C	DB4/29						
AS1242/2C	Nut, 2BA	4	-	C	DB4/30						
AGS2001/C1	Washer, 2BA	4	-	C	DB4/31						
SP16/C	EQUIPMENT, Frames 25-27 (EB8.81.1067)	-	-	-	DB3/32						R
	Spares for:										
Smiths	BOX, cable connection	1	-	P	DB4/33						
JY/79											

ELECTRICAL INSTALLATION
CENTRE FUSELAGE

Part No.	Description	No. off	Material Specification	Class of Eqpt. M.R. or L.M.	Plate										
						1	2	3	4	5	6				
	Attachment of box to structure														
A25/14C	Bolt, 2BA	2	-	C	DB4/34										R
AGS2001/C1	Nut, 2BA	2	-	C	DB4/35										R
Smiths CR/27	CONNECTOR	1	-	L	DB3/36										R
Smiths CR/36	CONNECTOR	1	-	L	DB3/37										R
Smiths CR/75	CONNECTOR	1	-	L	DB3/38										R
Smiths CS18	CONNECTOR	1	-	L	DB3/39										R
-	EQUIPMENT, Frames 27-29 (EB8.81.1069)	-	-	-	DB3/44										R
	Spares for:														
Dowty C1831-YMK.101C	SWITCH, micro	4	-	P	DB4/45										R
	Attachment of switch														
A25/13C	Bolt, 2BA	12	-	C	DB4/46										R
SP15/C	Washer, 2BA	12	-	C	DB4/47										R
-	EQUIPMENT, Frames 29-31A (EB8.81.1071)	-	-	-	DB7/1										R
	Spares for:														
Type B	BLOCK, terminal No 1	2	-	C	DB7/2										R
	Attachment of block to structure														
A33/A18	Screw, 6BA	4	-	C	DB7/3										R
AGS2001/A1	Nut, 6BA	4	-	C	DB7/4										R
CZ51538	CAP, blanking, distributor, top (Pre Mod 3721)	1	-	C	DB7/5										R
CZ51540	CAP, blanking, distributor, bottom (Pre Mod 3721)	1	-	C	DB7/6										R
Type A	DISTRIBUTOR, pyrotechnic Mark 1 (Pre Mod 3721)	1	-	P	DB7/7										R
EB8.81.2171	FAIRLEAD, half, frame 29 (Port)	2	LFS 21	C	DB7/8										R
EB8.81.2173	FAIRLEAD, half, frame 29 (Starboard)	2	LFS 21	C	DB7/9										R
	Attachment of fairleads to frame														
A25/3B	Bolt, 4BA	12	-	C	DB7/10										R
AGS2001/B1	Nut, 4BA	12	-	C	DB7/11										R
EEAS132/7	STRAP, cable	2	Webbing	C	DB7/12										R
EEAS132/9	STRAP, cable	2	Webbing	C	DB7/13										R

ELECTRICAL INSTALLATION
CENTRE FUSELAGE

Part No.	Description	No. off	Material Specification	Class of Eqpt. M.R. or L.M.	Plate						
						1	2	3	4	5	6
Dowty C1831-YMK.101C	SWITCH, micro, type C Mk.1 Attachment of switch to plate	1	-	P	DB7/14						R
A25/13C 5D/1773	Bolt, 2BA TRAY, distributor mounting (Pre Mod 3721)	3 1	- -	C L	DB7/15 DB7/16						R R
-	FAIRLEADS, Frames 17-18 at Wing Root, Port (EB8.81.3901) Spares for:	-	-	-	DB5/20						R
EB8.81.3897 EB8.81.3899	FAIRLEAD, left-hand section FAIRLEAD, right-hand section Attachment of fairleads to skin	1 1	DTD797A DTD797A	C C	DB6/21 DB6/22						R R
A27/BP A31/B12 SP13/B	Nut, 4BA Screw, 4BA Washer, 4BA	6 6 6	- - -	C C C	DB6/23 DB6/24 DB6/25						R R R
-	FAIRLEADS, Frames 17-18 at Wing Root, Starboard (EB8.81.3902) Spares for:	-	-	-	DB5/26						R
EB8.81.3898 EB8.81.3900	FAIRLEAD, left-hand section FAIRLEAD, right-hand section Attachment of fairleads to skin	1 1	DTD797A DTD797A	C C	DB6/27 DB6/28						R R
A27/BP A31/B12 SP13/B	Nut, 4BA Screw, 4BA Washer, 4BA	6 6 6	- - -	C C C	DB6/29 DB6/30 DB6/31						R R R
-	LAMP, Upward Indent, Installation, Frames 28-29 (Mod 3342 Pre Mod 5478/S Satisfied by CM/CAN/0487/NEAF) (EB8.81.5911) Spares for:	-	-	-	DB7/32						R
Thorn AC40-28 Thorn FNL50 EB8.81.5915	FILAMENT, 28V, 40W (Pre Mod 5478/S) LAMP, navigation (Pre Mod 5478/S) RING, sealing (Pre Mod 5478/S)	1 1 1	- - -	C L C	DB8/33 DB8/34 DB8/35						R R R

ELECTRICAL INSTALLATION
CENTRE FUSELAGE

Part No.	Description	No. off	Material Specification	Class of Eqpt M.R. or L.M.	Plate							
						1	2	3	4	5	6	
	LAMP, Downward Ident, Installation, Frames 21A-21B (Mod 3342 Pre Mod 5478/S Satisfied by CM/CAN/0487/NEAF) (EB8.81.5917) Spares for:	-	-	-	DB7/36							R
Thorn AC40-28 Thorn FNL50	FILAMENT, 28V, 40W (Pre Mod 5478/S)	1	-	C	DB8/37							
	LAMP, navigation (Pre Mod 5478/S)	1	-	L	DB8/38							
	LOOMS, CABLE, Installation (EB8.81.1035)	-	-	-	DB7/39							R
EB8.81.6861	CABLE, assembly 'C45' (Mod 5478/S Satisfied by CM/CAN/0487/NEAF)	1	-	LM	DB7/40							
EB8.81.6859	CABLE, assembly 'C44' (Mod 5478/S satisfied by CM/CAN/0487/NEAF)	1	-	LM	DB7/41							
EB8.81.4153	METER, Fatigue and Mounting Assembly Spares for:	-	-	-	DB7/42							
6A/9657	METER, fatigue Attachment of meter to bulkhead	1	-	P	DB8/43							R
A25/1C	Bolt, 2BA	4	-	C	DB8/44							
AGS2035/C Hellerman HV3341	Lockwasher	4	-	C	DB8/44a							
Hellerman HV3342	STRAP, "Helvin"	AR	-	C	DB8/45							
	STUD, "Helvin"	AR	-	C	DB8/46							
	SUPPORTS, Cables, Installation, aft of Frame 12B Bulkhead (Mod 5166) (EB8.81.6807) Spares for:	-	-	-	DB5/47							
A25/1B	BOLT, 4BA (Mod 5166)	2	-	C	DB6/48							
A25/3C	BOLT, 2BA (Mod 5166)	1	-	C	DB5/49							
AS3180/12B	CLIP, "P" (Mod 5166)	1	-	C	DB6/50							
AS3180/18B	CLIP, "P" (Mod 5166)	2	-	C	DB5/51							
AGS2002/B1 Hellerman HY3341	NUT, stiff, 4BA (Mod 5166)	2	-	C	DB6/52							
Hellerman NY3342	STRAP, "Helvin" (Mod 5166)	AR	-	C	DB5/53							
SP15/B	STUD, "Helvin" (Mod 5166)	AR	-	C	DB5/54							
SP16/C	WASHER, 4BA (Mod 5166)	2	-	C	DB6/55							
	WASHER, 2BA (Mod 5166)	3	-	C	DB5/56							
	SUPPORTS, Cables, Installation Frame 13 to Pressure Bulkhead (Mod 5166) (EB8.81.6805) Spares for:	-	-	-	DB5/57							
A25/1B	BOLT, 4BA (Mod 5166)	9	-	C	DB6/58							

ELECTRICAL INSTALLATION
CENTRE FUSELAGE

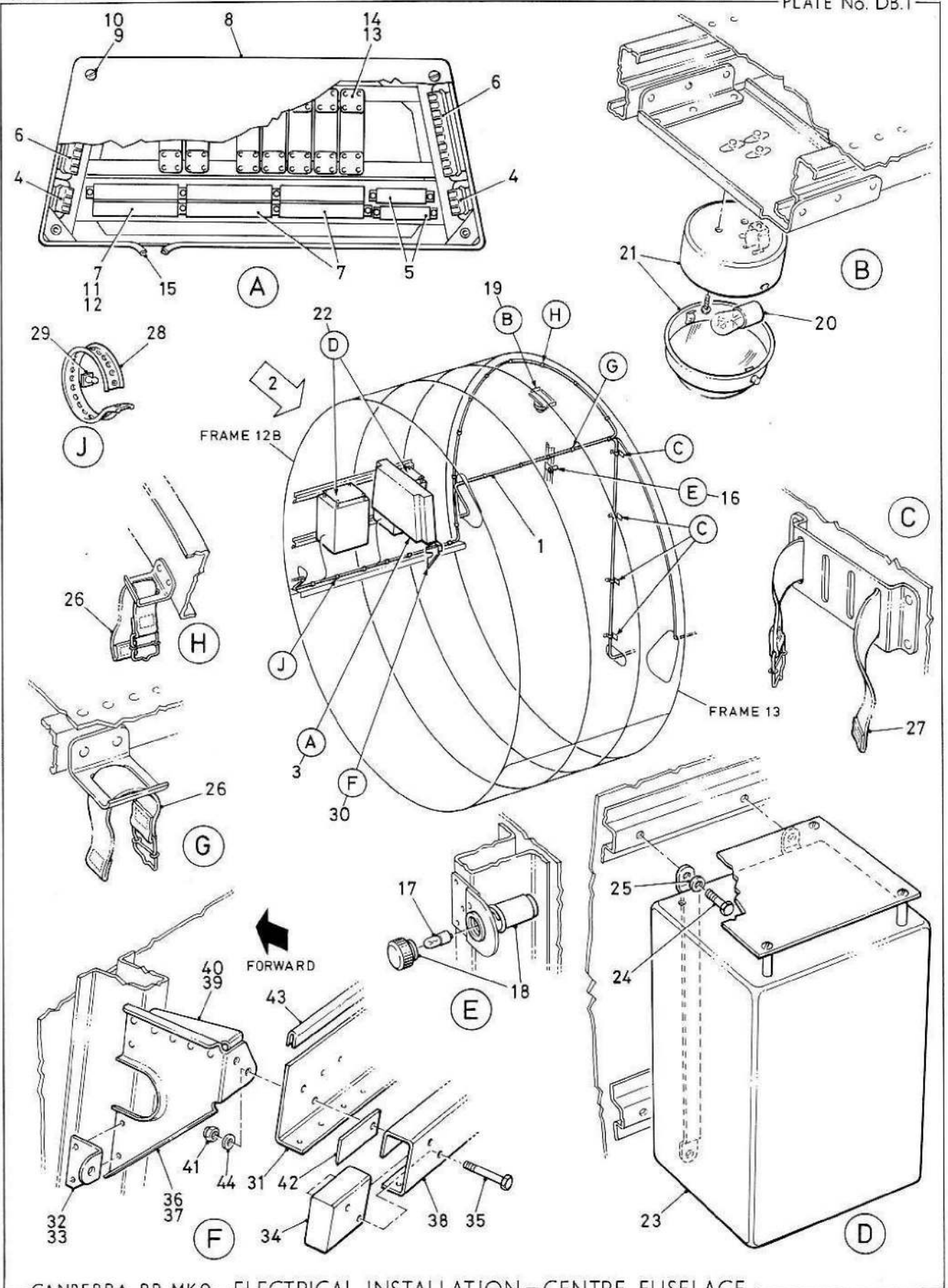
Part No.	Description	No. off	Material Specification	Class of Eqpt M.R. or L.M.	Plate
AS3180/14B	CLIP, cable (Mod 5166)	1	-	C	DB6/59
AS3180/20B	CLIP, cable (Mod 5166)	1	-	C	DB6/60
SP91/D	CLIP, "Jubilee" (Mod 5166)	4	-	C	DB5/61
EB8.81.6805B	CLIP, saddle (Mod 5166)	3	-	LM	DB6/62
	(Make from 30B/9611216)				
EB8.81.6805C	CLIP, saddle (Mod 5166)	1	-	LM	DB5/63
	(Make from 30B/9611216)				
AGS2002/B1	NUT, stiff, 4BA (Mod 5166)	9	-	C	DB6/64
EB8.81.6805A	PLATE, adaptor (Mod 5166)	3	-	LM	DB6/65
	(Make from 30B/9611218)				
	SLEEVING, black, 10 mm, CXS or CXY	AR	-	C	DB6/66
	(Mod 5166)				
Hellerman HY3341	STRAP "Helvin" (Mod 5166)	AR	-	C	DB5/67
Hellerman NY3342	STUD "Helvin" (Mod 5166)	AR	-	C	DB5/68
SP13/B	WASHER, 4BA (MOD 5166)	9	-	C	DB6/69
	SUPPORTS, Cable, Installation, Ventral Tank Bay (Mod 5166) (EB8.81.6801)	-	-	-	DB5/70
	Spares for:				
AS1248/1/2B	BOLT, 4BA (Mod 5166)	2	-	C	DB5/71
A25/1B	BOLT, 4BA (Mod 5166)	8	-	C	DB6/72
A25/1C	BOLT, 2BA (Mod 5166)	12	-	C	DB6/73
EB8.81.6801G	BRACKET, strap (Mod 5166)	1	-	C	DB6/74
EA2.81.849	BRACKET (Mod 5166)	1	-	C	DB6/75
EB8.81.6801E	CHANNEL, adaptor (Mod 5166)	1	-	C	DB6/76
EB8.81.6801F	CHANNEL, adaptor (Mod 5166)	1	-	C	DB6/77
AS3180/12B	CLIP, cable (Mod 5166)	1	-	C	DB6/78
AS3180/14B	CLIP, cable (Mod 5166)	3	-	C	DB6/79
AS3180/20B	CLIP, cable (Mod 5166)	6	-	C	DB6/80
EA2.73.53	CLIP, half (Mod 5166)	1	-	C	DB6/81
EB8.81.6801A	CLIP, cable (Mod 5166)	1	-	C	DB5/82
EB8.81.6801B	CLIP, cable (Mod 5166)	1	-	C	DB5/83
EB8.81.6801C	CLIP, cable (Mod 5166)	1	-	C	DB6/84
EB8.81.6801D	CLIP, cable (Mod 5166)	1	-	C	DB6/85
EB8.81.6801H	CLIP, cable (Mod 5166)	1	-	C	DB6/86
AGS2001/B1	NUT, stiff, 4BA (Mod 5166)	5	-	C	DB6/87
AGS2002/C1	NUT, stiff, 2BA (Mod 5166)	12	-	C	DB6/88
EEAS73	PLATE, clamp (Mod 5166)	2	-	C	DB5/89
	SLEEVING, Hella shrink 1.5 in. (Mod 5166)	AR	-	C	
EEAS132/12	STRAP, clamp (Mod 5166)	2	-	C	DB5/91
Hellerman HY3341	STRAP "Helvin" (Mod 5166)	AR	-	C	DB5/92
Hellerman NY3342	STUD "Helvin" (Mod 5166)	AR	-	C	DB5/93
SP13/B	WASHER, 4BA (Mod 5166)	8	-	C	DB6/94
SP13/C	WASHER, 2BA	12	-	C	DB6/95
	SUPPORT, Cables, Installation, Aft of Bulkhead Frame 21B (Mod 5166) (EB8.81.6803)	-	-	-	DB7/96

R

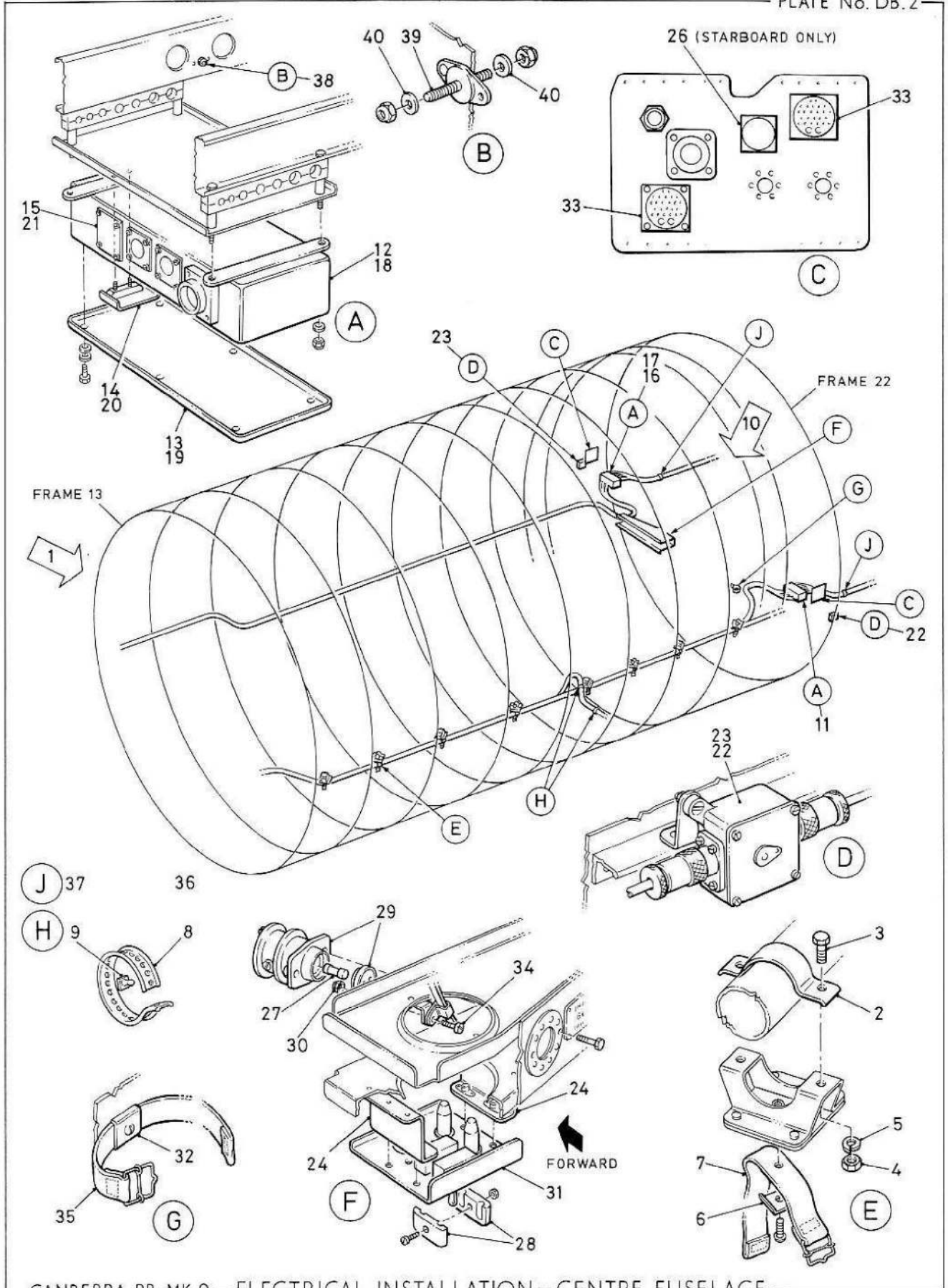
ELECTRICAL INSTALLATION
CENTRE FUSELAGE

Part No.	Description 1 2 3 4 5 6	No. off	Material Specification	Class of Eqpt M.R. or L.M.	Plate
	Spares for:				
EB8.81.6803A	CLIP, cable (Mod 5166)	1	-	C	DB8/97
	SLEEVING, Black, 10 mm, CXS or CXY (Mod 5166)	AR	-	C	DB8/98
Hellerman HY3341	STRAP "Helvin" (Mod 5166)	AR	-	C	DB8/99
Hellerman NY3342	STUD, "Helvin" (Mod 5166)	AR	-	C	DB8/100
EB8.81.1853	TERMINAL, Earth Assembly	-	-	-	DB5/101
	Consisting of:				
AGS2001/C3	NUT, 2BA	2		C	DB6/102
EB8.81.1855	STUD, terminal	1	L65	C	DB6/103
EB8.81.2177	WASHER	2	L72	C	DB6/104
EB8.81.1857	WASHER	1	L72	C	DB6/105
	TERMINAL, Earth, E38 Installation (SA5375 Satisfied by STI/CAN/570)	-	-	-	DB7/106
	Spares for:				
5X/6255014	LUG, cable (SA5375)	1	-	C	DB7/107
AGS2001/J4	NUT, 3/8 in. BSF (SA5375)	1	-	C	DB7/108
AS2249/405	RIVET, 5/32 in. dia. (SA5375)	6	-	C	DB7/109
P100	SLEEVE, type 3, pink, 10 mm I/D (SA5375)	AR	-	C	DB7/110
EA9.81.2335	STUD, earth (SA5375)	1	-	C	DB7/111
EEAS28/33EW	WASHER (SA5375)	1	-	C	DB7/112

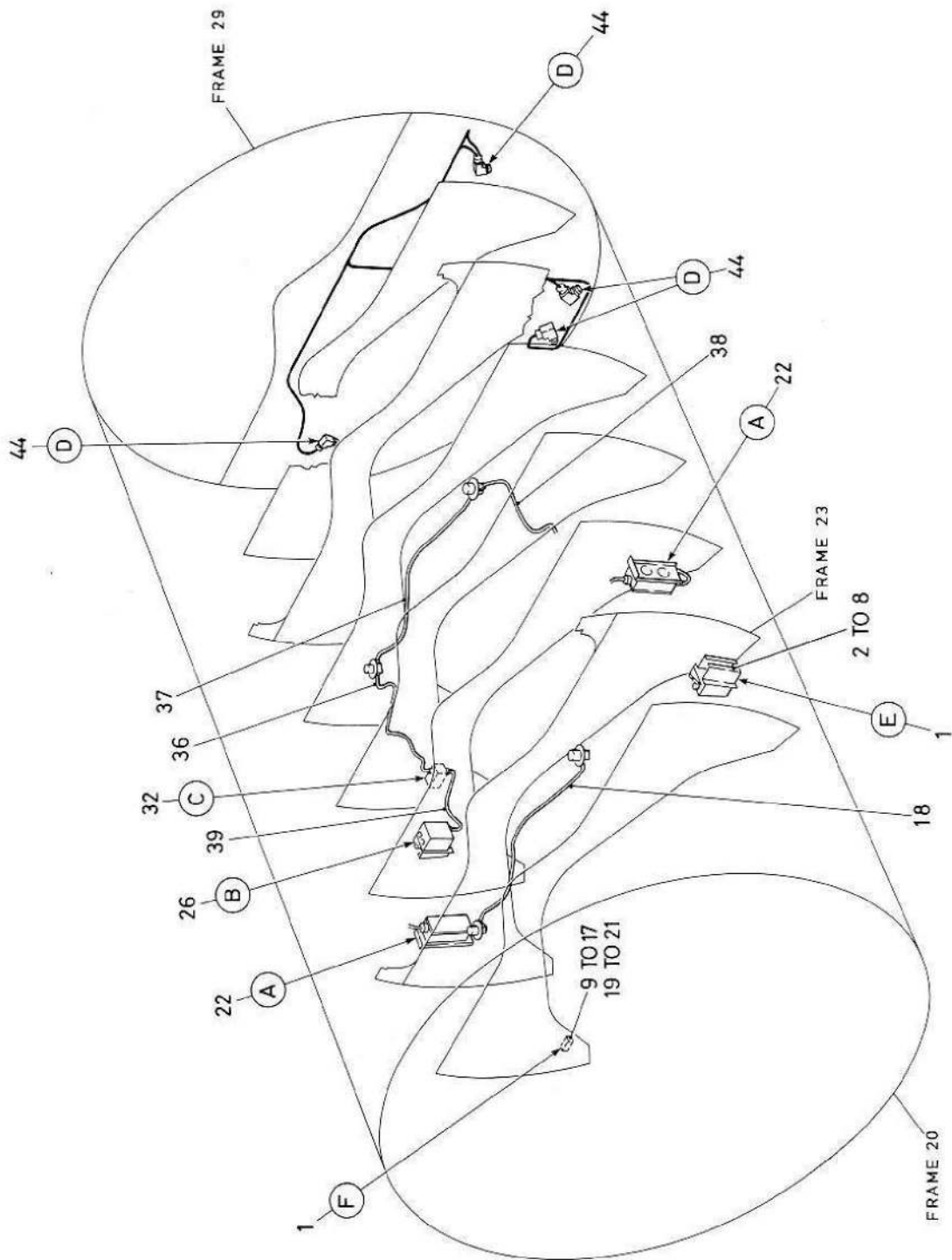
R

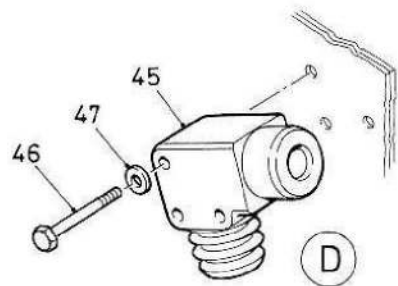
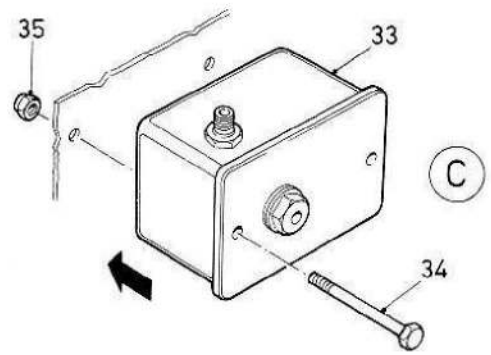
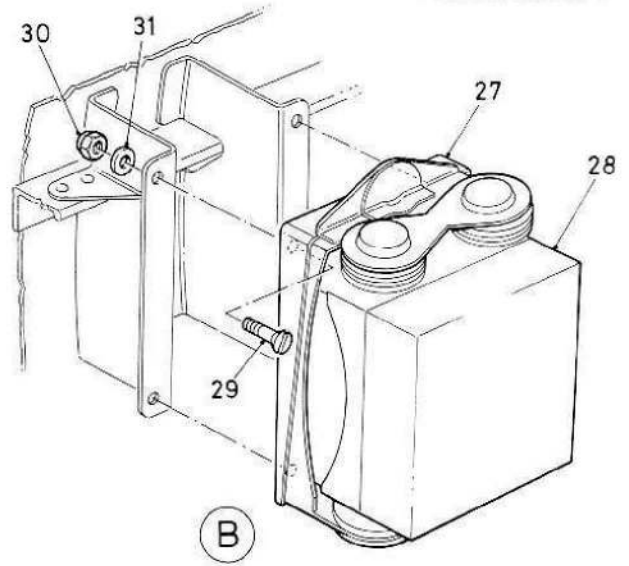
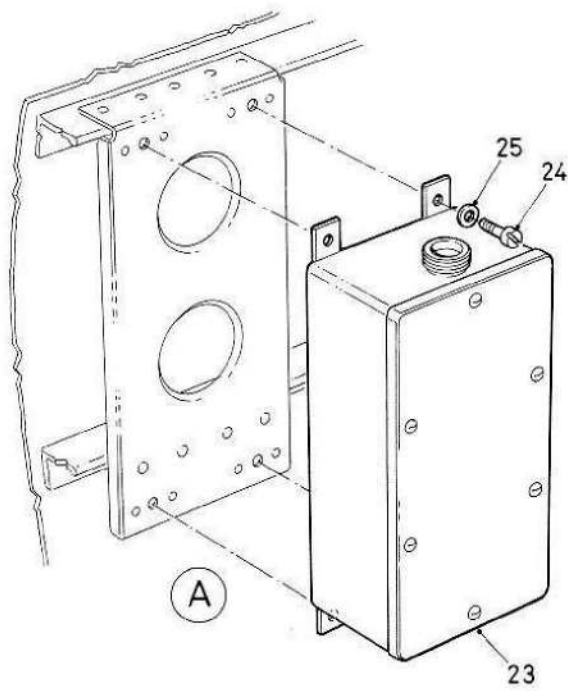


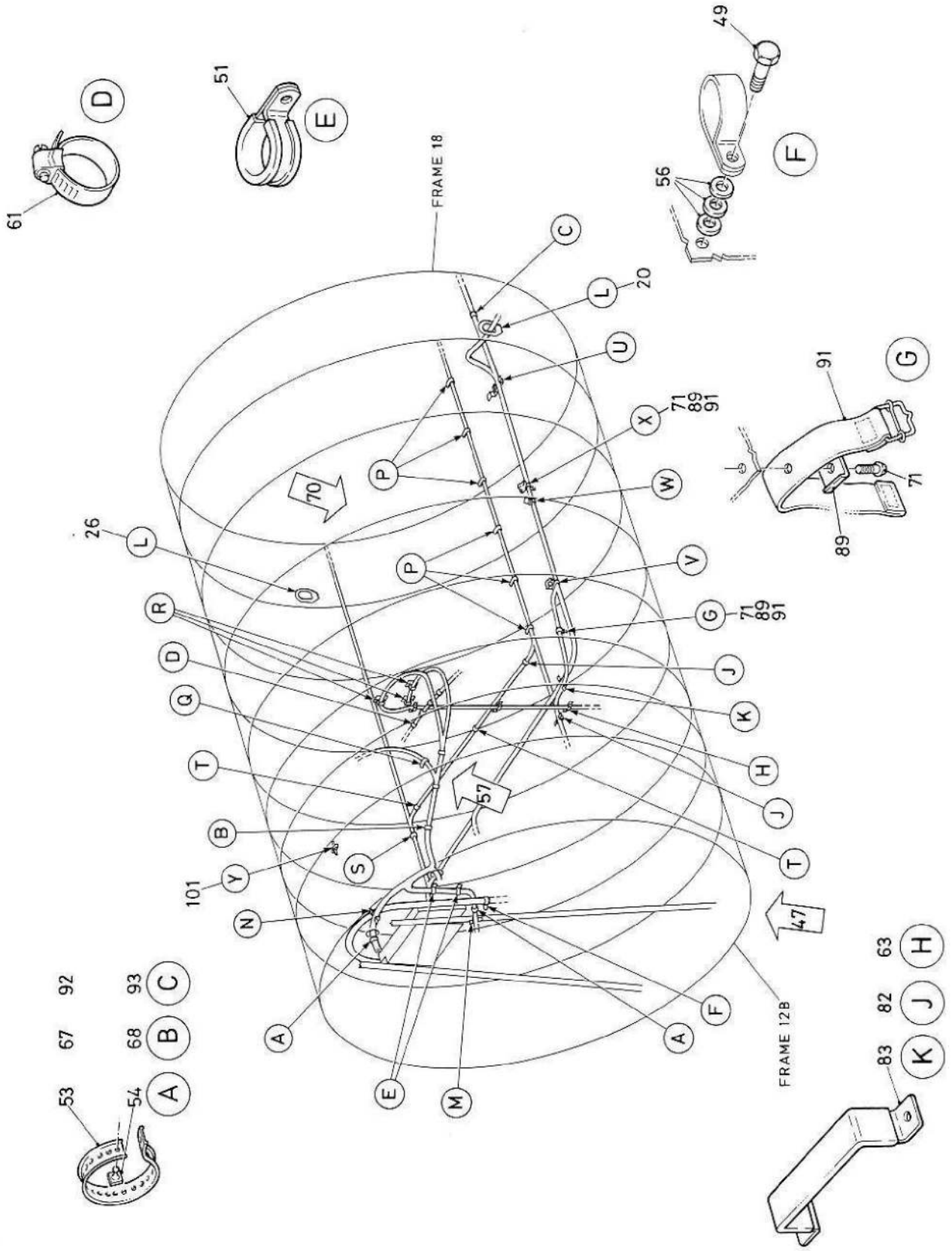
CANBERRA P.R. MK.9—ELECTRICAL INSTALLATION—CENTRE FUSELAGE



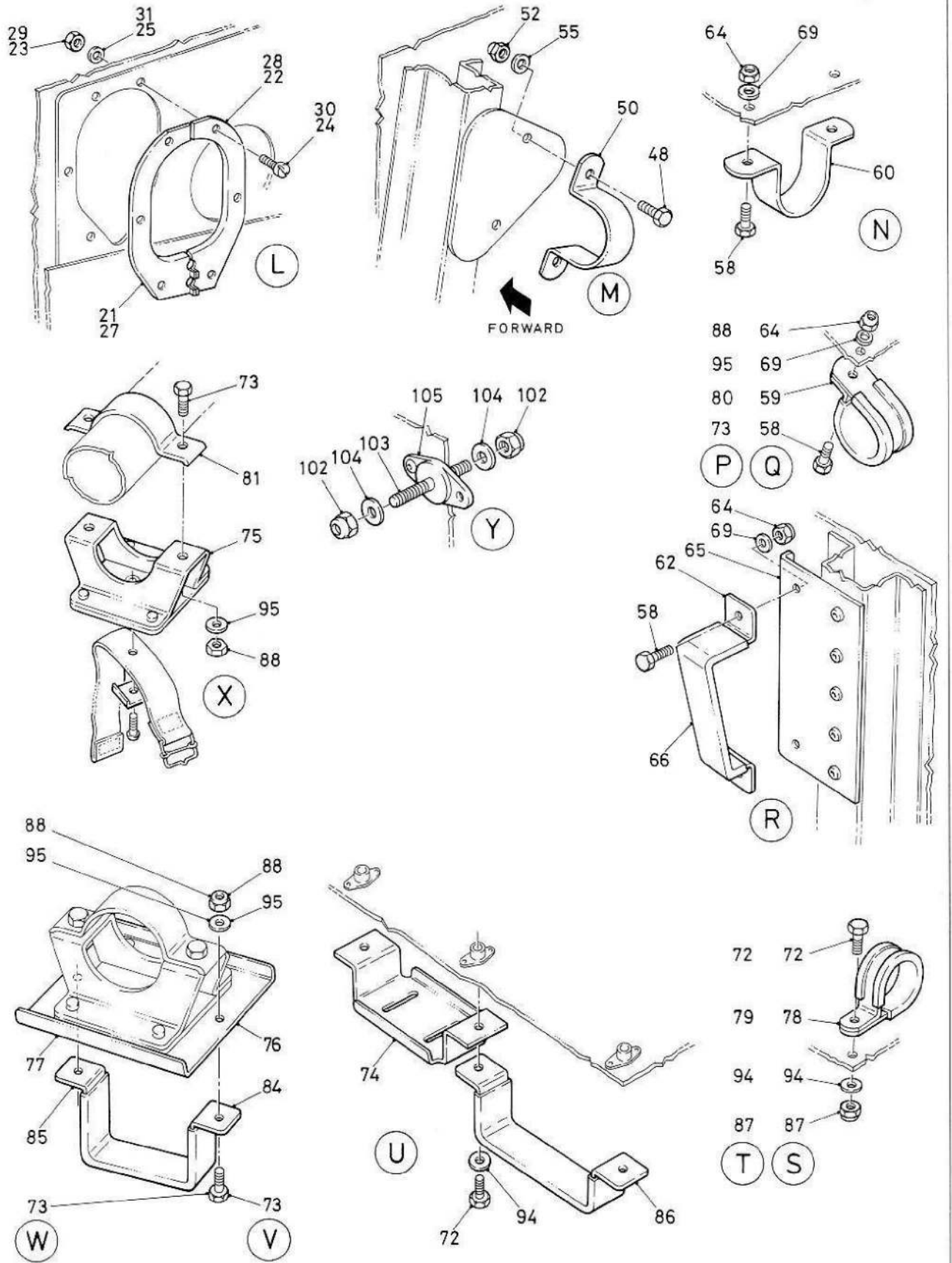
CANBERRA P.R. MK.9—ELECTRICAL INSTALLATION—CENTRE FUSELAGE

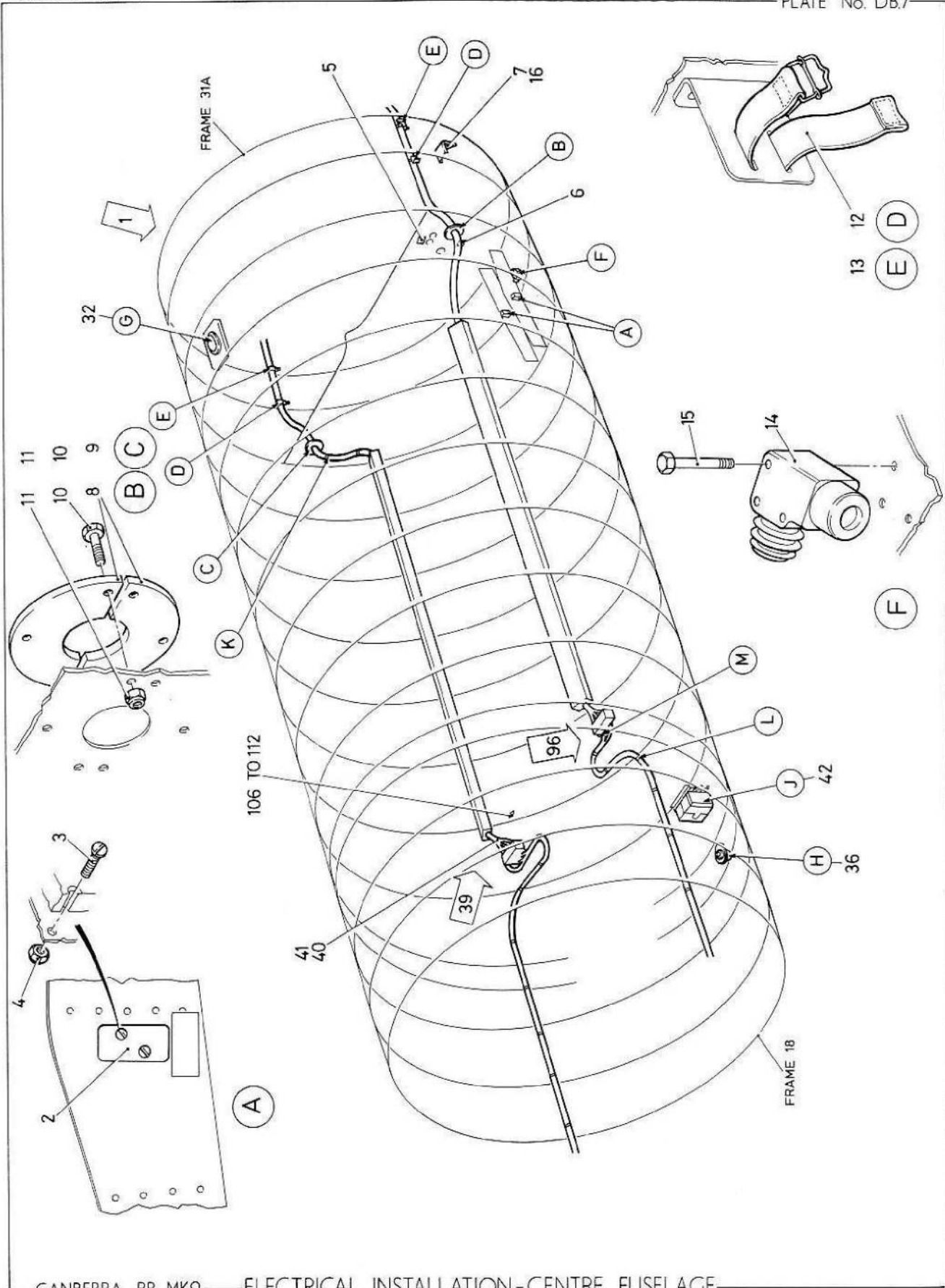




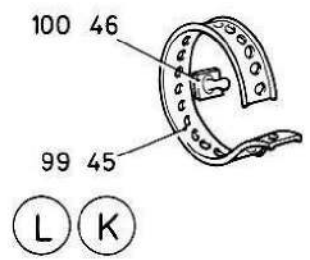
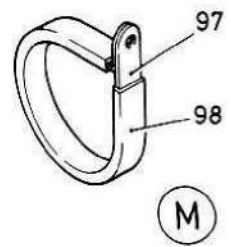
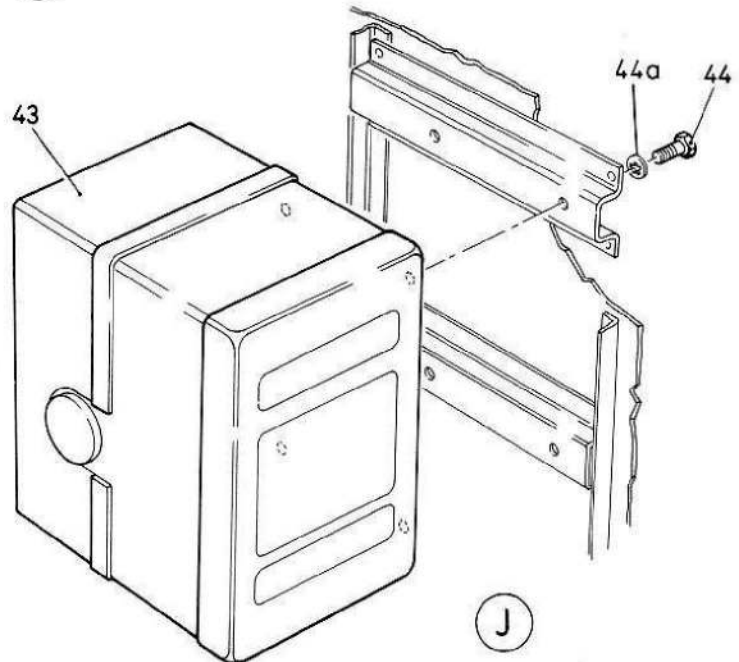
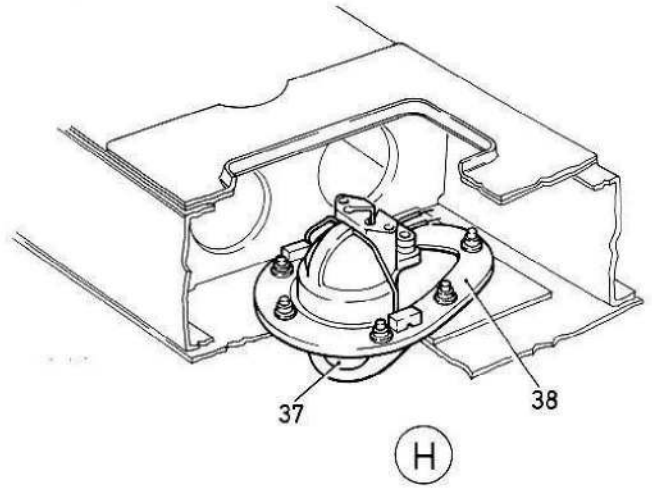
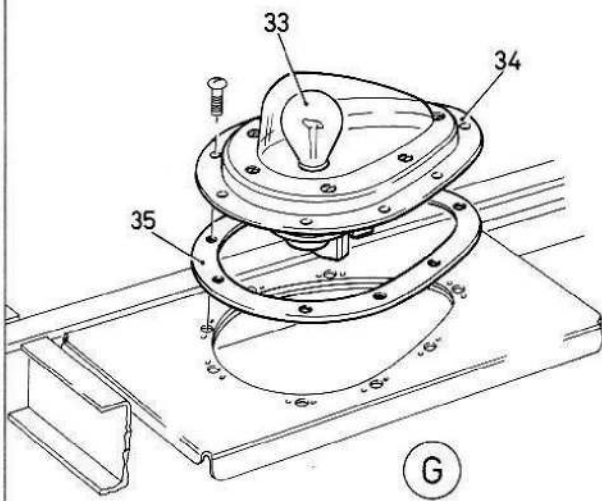


CANBERRA P.R.MK.9—ELECTRICAL INSTALLATION—CENTRE FUSELAGE





CANBERRA PR. MK9—ELECTRICAL INSTALLATION—CENTRE FUSELAGE



This file was downloaded
from the RTFM Library.

Link: www.scottbouch.com/rtfm

Please see site for usage terms,
and more aircraft documents.

