

ELECTRICAL INSTALLATION  
MAIN PLANE - PORT

Part No.	Description 1 2 3 4 5 6	No. off	Material Specification	Class of Eqpt M.R. or L.M.	Plate	
	ELECTRICAL INSTALLATION IN WING, PORT (EB8.81.1009)	-	-	-	DE1	R
	EQUIPMENT, Inner Wing, Rear, Assy. (Pre Mod 5000 ALT/SB/9/005) (EB8.81.1387x9)	-	-	-	DE1/1	R
	EQUIPMENT, Inner Wing, Rear, Assy (Mod 5000 ALT/SB/9/005) (EB8.81.1387x10)	-	-	-	DE1/2	R
	Spares for:					
Ultra A201/1	AMPLIFIER UNIT, magnetic, jet pipe temperature	1	-	P	DE1/3	
Ultra A203	AMPLIFIER UNIT, magnetic, jet pipe temperature	1	-	P	DE1/4	
	Attachment of amplifier unit to rib 4					
A102/9E	Bolt, 1/4 in. UNF	8	-	C	DE1/5	
EB8.81.153	Piece, distance	8	L64	C	DE1/6	
SP15/E	Washer	8	-	C	DE1/7	
	BOX, Junction (JB9) Assembly (EB8.81.1601)	-	-	-		R
	Spares for:					
EB8.81.1605	COVER, junction box	1	-	C	DE1/8	
EB8.81.1883	COVER, terminal block	1	-	C	DE1/9	
	Attachment of junction box to rib					
A25/5C	Bolt, 2BA	4	-	C	DE1/10	
AS2811/5/045	Piece, distance 5/16 in. o/d	3	L62	LM	DE1/11	
AS2811/5/050	Piece, distance, 5/16 in. o/d	1	L62	LM	DE1/12	
FD976	BRACKET, A/V mounting, servo potentiometer	1	-	L	DE1/13	
	Attachment of bracket to rib					
A25/2C	Bolt, 2BA	4	-	C	DE1/14	
SP15/C	Washer	4	-	C	DE1/15	
CZ.62275	CONNECTOR, bulkhead	1	-	C	DE1/16	
FD974	POTENTIOMETER, servo (S144/4/38)	1	-	P	DE1/17	R
Electronic Co. 22607	RESISTOR, trimmer remote	1	-	L	DE1/18	
	Attachment of resistor to rib 6					
A31/C32	Screw, 2BA	2	-	C	DE1/19	
SP15/C	Washer 2BA	2	-	C	DE1/20	
5CZ/4337515	RESISTOR	1	-	L	DE1/21	
	Attachment of resistor to rib 6					
A43/C28	Screw, 2BA	4	-	C	DE1/22	

ELECTRICAL INSTALLATION  
MAIN PLANE - PORT

Part No.	Description	No. off	Material Specification	Class of Eqpt M.R. or L.M.	Plate						
						1	2	3	4	5	6
EEAS28/20EPH	Washer	2	-	C	DE1/23						
	EQUIPMENT, Inner Leading Edge (EB8.81.1305)	-	-	-	DE1/24						R
	Spares for:										
Rists BA59714	ADAPTOR, plug	1	-	C	DE2/25						
Rists BA54260	ADAPTOR, plug	2	-	C	DE2/26						
	BOX, Junction (JB11) Assembly (EB8.81.1427)	-	-	-	-						R
	Spares for:										
EB8.81.1433	COVER, junction box	1	-	C	DE2/27						
	Attachment of box to engine rib										
A25/1C 7CZ106308	Bolt, 2BA	4	-	C	DE2/28						
	BOX, control, Mk 9 (Pre Plessey Mod. S307)	1	-	P	DE2/29						
	Attachment of control box										
A25/1E AGS2001/E1 SP13/E 7CZ106201	Bolt, 1/4 in. BSF	4	-	C	DE2/30						
	Nut, 1/4 in. BSF	4	-	C	DE2/31						
	Washer, 1/4 in. BSF	4	-	C	DE2/32						
	BOX, control Mk 8 (Plessey Mod S.307) (Pre SA 4902) (See AP 1181B Vol 3 Pt 1)	1	-	P	DE2/33						
700/1/12170	BOX, control (Plessey Mod S.647) (SA 4902)	1	-	P	DE2/34						
7CZ75700	BOX, ignition	1	-	P	DE2/35						
	Attachment of ignition box to rib										
A25/5E AGS2001/E1 SP13/E Sangamo Weston S110. Form 4 EB8.81.1879 Lodge EV901	Bolt, 1/4 in. BSF	3	-	C	DE2/36						
	Nut, 1/4 in. BSF	3	-	C	DE2/37						
	Washer, 1/4 in.	3	-	C	DE2/38						
	BULB, thermo	1	-	L	DE1/39						
	CLIP, cable	1	-	C	DE1/40						
	CONNECTOR, bulkhead	2	-	C	DE2/41						
	Attachment of connector to rib										
A25/2C SP41/C Graviner D3171-3	Bolt, 2BA	4	-	C	DE2/42						
	Washer, tab	4	-	C	DE2/43						
	CONNECTOR, firewire	1	-	C	DE2/44						
	Attachment of connector to rib										
A31/C20	Screw, 2BA	3	-	C	DE2/45						

Part No.	Description	No. off	Material Specification	Class of Eqpt M.R. or L.M.	Plate
508/1/06465	PLUG, 5-way	1	-	C	DE2/46
508/1/06474	PLUG, 12-way	1	-	C	DE2/47
508/1/10475	PLUG, 14-way	1	-	C	DE2/48
	REGULATOR, Voltage, Mounting (EB8.81.5319)	-	-	-	-
	Spares for:				
EB8.81.5595	CLIP, "P"	1	-	C	DE2/49
EB8.81.5593	COVER, voltage regulator	1	Glasscloth	C	DE2/50
	Attachment of cover to mounting				
AS1248/1B	Bolt, 4BA	4	-	C	DE2/51
SP10/B	Washer, 4BA	4	-	C	DE2/52
SUC/4379290	REGULATOR, voltage, type 111	1	-	P	DE2/53
	Attachment of regulator to mounting				
A25/2C	Bolt, 2BA	4	-	C	DE2/54
SP10/C	Washer, 2BA	4	-	C	DE2/55
EB8.81.177	RING, locking, plug adaptor	2	L1	C	DE2/56
EB8.81.2253	RING, locking, plug adaptor	1	L1	C	DE2/57
EB8.81.1853	TERMINAL, Earth Assembly	AR	-	-	DE2/58
	Consisting of:				
AGS2001/C3	NUT, 2BA	2	-	C	DE2/59
EB8.81.1855	STUD, terminal	1	L65	C	DE2/60
EB8.81.2177	WASHER	2	L72	C	DE2/61
EB8.81.1857	WASHER	1	L72	C	DE2/62
Rists					
BA54272	WASHER, plug adaptor	2	-	C	DE2/63
Rists					
BA47448	WASHER, plug adaptor	1	-	C	DE2/64
	EQUIPMENT in Outer Wing (Pre Mod 5000 ALT/SB/9/005) (EB8.81.1281x6)	-	-	-	DE1/65
	EQUIPMENT in Outer Wing (Mod 5000 ALT/SB/9/005) (EB8.81.1281x7)	-	-	-	DE1/66
	Spares for:				
Smiths					
FAA	AMPLIFIER, fuel contents gauge	1	-	P	DE1/67
5CZ/1053794	BLOCK, terminal, 2-way	1	-	C	DE3/68
	Attachment of terminal block to rib				
A32/A20	Screw, 6BA	2	-	C	DE3/69
AGS2001/A1	Nut, 6BA	2	-	C	DE3/70
	BOX, Junction, No. 13 Assembly (EB8.81.1589)	-	-	-	-

ELECTRICAL INSTALLATION  
MAIN PLANE - PORT

Part No.	Description	No. off	Material Specification	Class of Eqpt M.R. or L.M.	Plate
	Spares for:				
EB8.81.1593	COVER, junction box	1	-	C	DE3/71
	BOX, Junction G4B Compass Assembly (EA3.81.1537)	-	-	-	-
	Spares for:				
EA3.81.1543	LID, junction box	1	-	C	DE1/72
	Attachment of box to structure				
A31/C16 Smiths JLA-123-109	Screw, 2BA	4	-	C	DE1/73
	BOX, cable connector	1	-	L	DE3/74
	Attachment of box				
A32/C20 SP16/C Smiths XA	Screw, 2BA	2	-	C	DE3/75
	Washer, 2BA	2	-	C	DE3/76
	BRACKET, amplifier	1	-	L	DE1/77
	Attachment of bracket				
A33/C20 Graviner D3171-3	Screw, 2BA	4	-	C	DE1/78
	BULKHEAD FITTING, fire wire	1	-	C	DE3/79
	Attachment of fitting to rib				
A25/1C AGS2001/C1 EB8.81.381 EB8.81.175 Rotax NB25/2	Bolt, 2BA	3	-	C	DE3/80
	Nut, 2BA	3	-	C	DE3/81
	FAIRLEAD, half	4	LPS21	C	DE1/82
	FAIRLEAD, half	2	LPS21	C	DE1/83
	IGNITION UNIT, high energy (For spares see AP1374E Vol. 3)	1	-	P	DE3/84
OR B.T.H C.10TS.3	IGNITION UNIT, high energy (For Spares SEE AP1374E Vol. 3)	1	-	P	DE3/85
	Attachment of unit to rib				
A25/3E 5CY/4375390	Bolt, 1/4 in. BSF	3	-	C	DE3/86
	SUPPRESSOR	1	-	P	DE3/87
	Attachment of suppressor				
A25/2B EB8.81.1853	Bolt, 4BA	2	-	C	DE3/88
	TERMINAL, Earth, Assembly	AR	-	-	DE1/89
	Consisting of:				
AGS2001/C3 EB8.81.1855 EB8.81.2177 EB8.81.1857	NUT, 2BA	2	-	C	DE1/90
	STUD, terminal	1	L65	C	DE1/91
	WASHER	2	L72	C	DE1/92
	WASHER	1	L72	C	DE1/93

ELECTRICAL INSTALLATION  
MAIN PLANE - PORT

Part No.	Description	No. off	Material Specification	Class of Eqpt. M.R. or L.M.	Plate							
						1	2	3	4	5	6	
-	EQUIPMENT, Outboard Rib 8 (EB8.81.1019)	-	-	-	DE1/94							R
	Spares for:											
5CZ/1053794	BLOCK, terminal, 2-way	1	-	C	DE3/95							R
	Attachment of terminal block											
A27/AP	Nut, 6BA	2	-	C	DE3/96							R
A33/A20	Screw, 6BA	2	-	C	DE3/97							R
Z56545	Tag, closed end	2	-	C	DE3/98							R
SP47/A	Washer	2	-	C	DE3/99							R
CZ50178	BLOCK, terminal, 3-way	1	-	C	DE3/100							R
	Attachment of terminal block											
A43/B28	Screw, 4BA	2	-	C	DE3/101							R
Ross Courtney	Tag, type 00	2	-	C	DE3/102							R
P85846/1	BLOCK, terminal, 2-way	1	-	C	DE3/103							R
CZ50179	Attachment of terminal block											
A43/B28	Screw, 4BA	2	-	C	DE3/104							R
Ross Courtney	Tag, type 00	2	-	C	DE3/105							R
P85846/1	BLOCK, terminal, type B. No. 1	1	-	C	DE1/106							R
CZ/4350489	Attachment of terminal block											
A33/A20	Screw, 4BA	2	-	C	DE1/107							R
EA1.81.317	DETONATOR assembly (See Section PA)	-	-	-	DE1/108							R
EA1.81.318	DETONATOR assembly (See Section PA)	-	-	-	DE1/109							R
Type A	LAMP, taxiing	1	-	L	DE1/110							R
Type J	LAMP, landing Mk. 4	1	-	P	DE1/111							R
-	LOOMS, Cable G.S. (Pre Mod 5000 ALT/SB/9/005) (EB8.81.1031x7)	-	-	-	DE1/112							R
	LOOMS, Cable G.S. (Mod 5000 ALT/SB/9/005) (EB8.81.1031x8)	-	-	-	DE1/113							R
	Spares for:											
EB8.81.421	CABLES, starter ignition	1	-	L	DE1/114							R
EB8.81.4979	CABLES, starter ignition	1	-	L	DE1/115							R
EB8.81.1477	CABLE, assembly "11.L1"	1	-	L	DE1/116							R
EB8.81.1475	CABLE, assembly "11.M1"	1	-	L	DE1/117							R
EB8.81.1681	CABLE, assembly "9.C1"	1	-	L	DE1/118							R
EB8.81.6825	CABLE, assembly, "E7" (Mod 5000 ALT/SB/9/005)	1	-	LM	DE1/119							R
Smiths	CONNECTOR	1	-	L	DE1/120							R
CA/12	CONNECTOR	1	-	L	DE1/121							R
Smiths												
CA/25												

ELECTRICAL INSTALLATION  
MAIN PLANE - PORT

Part No.	Description	No. off	Material Specification	Class of Eqpt. M.R. or L.M.	Plate															
						1	2	3	4	5	6									
Smiths CA/55	CONNECTOR	1	-	L	DE1/122															
EB8.81.375	LEAD, H.T. ignition, outboard	1	-	C	DE1/123															
EB8.81.413	LEAD, H.T. ignition, Inboard	1	-	C	DE1/124															
	STUD, Earth, E34 Installation (Pre Mod 5000 ALT/SB/9/005) (EB8.81.6361x1)	-	-	-	DE1/125															
	Spares for:																			
A27/BP	NUT, 4BA (Pre ALT/SB/9/005)	1	-	C																
AGS2002/B1	NUT, stiff, 4BA (Pre ALT/SB/9/005)	2	-	C																
A31/B32	SCREW, 4BA (Pre ALT/SB/9/005)	2	-	C																
SP15/B	WASHER, 4BA (Pre ALT/SB/9/005)	2	-	C																
SP41/B	WASHER (Pre ALT/SB/9/005)	1	-	C																
	STUD, Earth, E34 Installation (Mod 5000 ALT/SB/9/005) (EB8.81.6361x2)	-	-	-	DE1/131															
	Spares for:																			
EB8.81.1853	TERMINAL, Earth Assembly (ALT/SB/9/005)	1	-	C	DE1/132															
	Consisting of:																			
AGS2001/C3	NUT, 2BA (ALT/SB/9/005)	2	-	C	DE1/133															
EB8.81.1855	STUD, terminal (ALT/SB/9/005)	1	-	C	DE1/134															
EB8.81.2177	WASHER (ALT/SB/9/005)	2	-	C	DE1/135															
EB8.81.1857	WASHER (ALT/SB/9/005)	1	-	C	DE1/136															
-	WIRING, Leading Edge Diaphragm (Pre Mod 5000 ALT/SB/9/005) (EB8.81.1393x6)	-	-	-	DE1/137															
-	WIRING, Leading Edge Diaphragm (Mod 5000 ALT/SB/9/005) (EB8.81.1393x7)	-	-	-	DE1/138															
	Spares for:																			
-	BOX, Junction (J.B.7) Assembly (EB8.81.1509)	-	-	-																
	Spares for:																			
EB8.81.1537	COVER, junction box	1	-	C	DE4/139															
EB8.81.1897	COVER, T.B. 4 way	1	-	C	DE4/140															
	Attachment of junction box to diaphragm																			
A25/4C	Bolt, 2BA	4	-	C	DE4/141															
AGS2001/C1	Nut, 2BA	4	-	C	DE4/142															
Graviner D1200/A	BOX, firewire relay	1	-	P	DE4/143															

ELECTRICAL INSTALLATION  
MAIN PLANE - PORT

Part No.	Description	No. off	Material Specification	Class of Eqpt M.R. or L.M.	Plate
	Attachment of box				
A31/C12	Screw, 2BA	4	-	C	DE4/144
EB8.81.193	FAIRLEAD	1	LFS21		DE4/145
EB8.81.195	FAIRLEAD	1	LFS21		DE4/146
	Attachment of fairleads to structure				
AGS2001/A1	Nut, 6BA	12	-	C	DE4/147
A31/A20	Screw, 6BA	12	-	C	DE4/148
SP13/A	Washer, 6BA	12	-	C	DE4/149
Rotax					
NB25/2	IGNITION UNIT, high energy (For spares see AP1374E Vol. 3)	1	-	P	DE4/150
OR B.T.H					
C.10TS.3	IGNITION UNIT, high energy (For spares see AP 1374E, Vol. 3)	1	-	P	DE4/151
	Attachment of ignition unit				
A25/13E	Bolt, 1/4 in. BSF	3	-	C	DE4/152
AGS2001/E1	Nut, 1/4 in. BSF	3	-	C	DE4/153
Hellerman					
HV3254	STRAP, "Helvin"	AR	-	C	DE1/154
Hellerman					
HV3255	STUD "Helvin"	AR	-	C	-
EB8.81.1853	TERMINAL, Earth Assembly (Mod 5000 ALT/SB/9/005)	-	-	-	DE1/155
	Consisting of:				
AGS2001/C3	NUT, 2BA (ALT/SB/9/005)	2	-	C	DE1/156
EB8.81.1855	STUD, terminal (ALT/SB/9/005)	1	L65	C	DE1/157
EB8.81.2177	WASHER (ALT/SB/9/005)	2	L72	C	DE1/158
EB8.81.1857	WASHER (ALT/SB/9/005)	1	L72	C	DE1/159
	WIRING Behind Leading Edge Diaphragm (EB8.81.1423)	-	-	-	DE1/160
	Spares for:				
AS2654	BLOCK, connector	1	-	C	DE4/161
AS2655	BLOCK, connector	1	-	C	DE4/162
5C2/868	BLOCK, terminal, 5-way	1	-	C	DE4/163
	Attachment of terminal block to structure				
AGS2001/A1	Nut, 6BA	2	-	C	DE4/164
A33/A28	Screw, 6BA	2	-	C	DE4/165
SP13/A	Washer, 6BA	2	-	C	DE4/166
EA4.81.1595	COVER, splash	1	-	C	DE4/167
5C2/5222	FITTING, bulkhead, firewire	2	-	L	DE4/168

ELECTRICAL INSTALLATION  
MAIN PLANE - PORT

Part No.	Description	No. off	Material Specification	Class of Eqpt M.R. or L.M.	Plate								
						1	2	3	4	5	6		
	Attachment of fitting to diaphragm												
A25/1C	Bolt, 2BA	6	-	C	DE4/169								
AGS2001/C1	Nut, 2BA	6	-	C	DE4/170								
SP13/C	Washer, 2BA	6	-	C	DE4/171								
	WIRING, Main Undercarriage (EB8.81.1381)	-	-	-	DE5/172								
	Spares for:												
5CZ/4350489	BLOCK, terminal, 5-way	1	-	C	DE5/173								
	Attachment of terminal block												
AGS2001/A1	Nut, 6BA	2	-	C	DE5/174								
A33/A20	Screw, 6BA	2	-	C	DE5/175								
EAL.20.1245	BOLT, micro switch mounting	2	S11	C	DE5/176								
Dowty DN1322Z Mk.2 OR Dowty DN1322Z Mk.3	SWITCH, micro "Downlock" (Mod 4826)	1	-	P	DE5/177								R
	SWITCH, micro "Downlock" (Mod 4826)	1	-	P	DE5/177								R
Dowty DN1322Z Mk.3	SWITCH, micro "Uplock"	1	-	P	DE5/178								R
	WIRING, Engine Bay Port (EB8.81.1051)	-	-	-	DE5/179								R
	Spares for:												
Rists BA59713 EB8.81.665	ADAPTOR BRACKET	1 1	- DTD171	C C	DE5/180 DE5/181								R
	Attachment of bracket to engine bracket												
A25/1E	Bolt, 1/4 in. BSF	4	-	C	DE5/182								
SP41/E	Washer, tab	4	-	C	DE5/183								
EB8.81.1879	CLIP, cable	1	S84	C	DE5/184								
EB8.81.1881	CLIP, cable	1	S84	C	DE5/185								
EB8.81.1931	CLIP, cable	2	S84	C	DE5/186								
EB8.81.1933	CLIP, cable	2	S84	C	DE5/187								
EB8.81.663	FAIRLEAD	1	S80	C	DE5/188								
	Attachment of fairlead to bracket												
A25/21E	Bolt, 1/4 in. BSF	2	-	C	DE5/189								
A27/EP	Nut, 1/4 in. BSF	2	-	C	DE5/190								
	FIREWIRE, Installation on Engine (EB8.81.6553)	-	-	-	DE5/191								R
	Spares for:												
Graviner D3893	BUSH	34	-	C	DE5/192								
EB8.81.1869	CLIP	2	S84	C	DE5/193								
Graviner D3004	CLIP	34	-	C	DE5/194								

ELECTRICAL INSTALLATION  
MAIN PLANE - PORT

Part No.	Description	No. off	Material Specification	Class of Eqpt M.R. or L.M.	Plate
Graviner D2475	CONNECTOR hexagon	2	-	L	DE5/195
Graviner D2370/60	ELEMENT, sensing (5 ft long)	2	-	P	DE5/196
Graviner D2370/120	ELEMENT, sensing (10 ft long)	2	-	P	DE5/197
Graviner D3171-3	FITTING, bulkhead	4	-	C	DE5/198
Graviner 165D	UNIT, control	1	-	P	DE1/199
Graviner D2004	WASHER, copper asbestos	4	-	C	DE5/200
Rists BA45902	RING, locking	1	-	C	DE5/201
Rists BA42998	RING, sealing	1	-	C	DE5/202
Rists BA45890	WASHER, lock	1	-	C	DE5/203

ELECTRICAL INSTALLATION  
MAIN PLANE - PORT

Part No.	Description						No. off	Material Specification	Class of Eqpt M.R. or L.M.	Plate
	1	2	3	4	5	6				
THIS PAGE LEFT INTENTIONALLY BLANK										



ELECTRICAL INSTALLATION  
MAIN PLANE - STARBOARD

Part No.	Description	No. off	Material Specification	Class of Eqpt M.R. or L.M.	Plate							
						1	2	3	4	5	6	
	EQUIPMENT, Inner Leading Edge (EB8.81.1306)	-	-	-	DE6/24							R
	Spares for:											
Rists BA59714	ADAPTOR, plug	1	-	C	DE7/25							R
Rists BA54260	ADAPTOR, plug	2	-	C	DE7/26							R
	BOX, Junction (JB12) Assembly (EB8.81.1465)	-	-	-	-							R
	Spares for:											
EB8.81.1435	COVER, junction box	1	-	C	DE7/27							
	Attachment of box to engine rib											
A25/1C 7CZ106308	Bolt, 2BA	4	-	C	DE7/28							
	BOX, control Mk. 9 (Pre Plessey Mod S.307)	1	-	P	DE7/29							
	Attachment of control box											
A25/1E AGS2001/E1 SP13/E 7CZ106201	Bolt, 1/4 in. BSF	4	-	C	DE7/30							
	Nut, 1/4 in. BSF	4	-	C	DE7/31							
	Washer, 1/4 in.	4	-	C	DE7/32							
	BOX, control, Mk 8 (Plessey Mod S307) (Pre SA4902) (See A.P. 1181B Vol 3, Pt 1)	1	-	P	DE7/33							
700/1/12170	BOX, control (Plessey Mod S647) (SA 4902)	1	-	P	DE7/34							
7CZ75700	BOX, ignition	1	-	P	DE7/35							
	Attachment of ignition box to rib											
A25/5E AGS2001/E1 SP13/E EB8.81.1879 Lodge EV901	Bolt, 1/4 in. BSF	3	-	C	DE7/36							
	Nut, 1/4 in. BSF	3	-	C	DE7/37							
	Washer, 1/4 in.	3	-	C	DE7/38							
	CLIP, cable	1	S84	C	DE6/39							R
	CONNECTOR, bulkhead	2	-	C	DE7/40							R
	Attachment of connector to rib											
A25/2C SP41/C Graviner D3171-3	Bolt, 2BA	4	-	C	DE7/41							
	Washer, tab	4	-	C	DE7/42							
	CONNECTOR, firewire	1	-	C	DE7/43							
	Attachment of connector to rib											
A31/C20 508/1/06465 508/1/06474 508/1/06475	Screw, 2BA	3	-	C	DE7/44							
	PLUG, 5-way	1	-	C	DE7/45							
	PLUG, 12-way	1	-	C	DE7/46							
	PLUG, 14-way	1	-	C	DE7/47							

Part No.	Description 1 2 3 4 5 6	No. off	Material Specification	Class of Eqpt M.R. or L.M.	Plate	
	REGULATOR, VOLTAGE, mounting (EB8.81.5320)	-	-	-	-	R
	Spares for:					
EB8.81.5595	CLIP "p"	1	-	C	DE7/48	
EB8.81.5594	COVER, voltage regulator	1	Glasscloth	C	DE7/49	
	Attachment of cover to mounting					
AS1248/1B	Bolt, 4BA	4	-	C	DE7/50	
SP10/B	Washer, 4BA	4	-	C	DE7/51	
5UC/4379290	REGULATOR, voltage, type 111	1	-	P	DE7/52	R
	Attachments of regulator to mounting					
A25/2C	Bolt, 2BA	4	-	C	DE7/53	
SP10/C	Washer, 2BA	4	-	C	DE7/54	
EB8.81.177	RING, locking, plug adaptor	2	L1	C	DE7/55	
EB8.81.2253	RING, locking, plug adaptor	1	L1	C	DE7/56	
EB8.81.1853	TERMINAL, Earth Assembly	AR	-	C	DE6/57	
	Spares for:					
AGS2001/C3	NUT, 2BA	2	-	C	DE7/58	
EB8.81.1855	STUD, terminal	1	L65	C	DE7/59	
EB8.81.2177	WASHER	2	L72	C	DE7/60	
EB8.81.1857	WASHER	1	L72	C	DE7/61	
Rists						
BA54272	WASHER, plug adaptor	2	-	C	DE7/62	
Rists						
BA47448	WASHER, plug adaptor	1	-	C	DE7/63	
	EQUIPMENT, in Outer Wing (Pre Mod 5000 ALT/SB/9/005) (EB8.81.1282x6)	-	-	-	DE6/64	R
	EQUIPMENT, in Outer Wing (Mod 5000 ALT/SB/9/005) (EB8.81.1282x7)	-	-	-	DE6/65	
	Spares for:					
Smiths						
FAA	AMPLIFIER, fuel contents gauge	1	-	P	DE6/66	R
5CZ/1053794	BLOCK, terminal, 2-way	1	-	C	DE8/67	
	Attachment of terminal block to rib					
A32/A20	Screw, 6BA	2	-	C	DE8/68	
AGS2001/A1	Nut, 6BA	2	-	C	DE8/69	
	BOX, Junction No. 14 Assembly (EB8.81.1591)	-	-	-	-	R
	Spares for:					
EB8.81.1595	COVER, junction box	1	-	C	DE8/70	

ELECTRICAL INSTALLATION  
MAIN PLANE - STARBOARD

Part No.	Description	No. off	Material Specification	Class of Eqpt M.R. or L.M.	Plate
	BOX, Junction G4B Compass Assembly (EA3.81.1537)	-	-	-	-
	Spares for:				
EA3.81.1543	LID, junction box	1	-	C	DE8/71
	Attachment of box				
A31/C16 Smiths	Screw, 2BA	4	-	C	DE8/72
JLA-123-109	BOX, cable connector	1	-	C	DE8/73
	Attachment of box				
A32/C20 SP16/C Smiths	Screw, 2BA	2	-	C	DE8/74
XA	Washer, 2BA	2	-	C	DE8/75
	BRACKET, amplifier	1	-	C	DE6/76
	Attachment of bracket				
A33/C20 Graviner	Screw, 2BA	4	-	C	DE6/77
D3171-3	BULKHEAD FITTING - firewire	1	-	C	DE8/78
	Attachment of fitting to rib				
A25/1C	Bolt, 2BA	3	-	C	DE8/79
AGS2001/C1	Nut, 2BA	3	-	C	DE8/80
EB8.81.381	FAIRLEAD, half	4	LFS21	C	DE6/81
EB8.81.175	FAIRLEAD, half	2	LFS21	C	DE6/82
Rotax NB25/2	IGNITION UNIT, high energy (For spares see AP1374E, Vol. 3)	1	-	P	DE8/83
OR B.T.H. C.10TS.3	IGNITION UNIT, high energy (For spares see AP1374E, Vol. 3)	1	-	P	DE8/84
	Attachment of unit to rib				
A25/3E 5CY/2967	Bolt, 1/4 in. BSF	3	-	C	DE8/85
	SUPPRESSOR	1	-	P	DE8/86
	Attachment of suppressor				
A25/2B EB8.81.1853	Bolt, 4BA	2	-	C	DE8/87
	TERMINAL, Earth, Assembly	AR	-	-	DE6/88
	Consisting of:				
AGS2001/C3	NUT, 2BA	2	-	C	DE8/89
EB8.81.1855	STUD, terminal	1	L65	C	DE8/90
EB8.81.2177	WASHER	2	L72	C	DE8/91
EB8.81.1857	WASHER	1	L72	C	DE8/92

R

Part No.	Description	No. off	Material Specification	Class of Eqpt M.R. or L.M.	Plate
	EQUIPMENT, Outboard Rib 8 (EB8.81.1020)	-	-	-	DE6/93
	Spares for:				
5CZ/430	BLOCK, terminal 2-way Attachment of terminal block	1	-	C	DE8/94
A27/AP	Nut, 6BA	2	-	C	DE8/95
A33/A20	Screw, 6BA	2	-	C	DE8/96
Z56545	Tag, closed end	2	-	C	DE8/97
SP47/A	Washer	2	-	C	DE8/98
CZ50178	BLOCK, terminal, 3-way Attachment of terminal block	1	-	C	DE8/99
A43/B28 Ross Courtney P85846/1 CZ50179	Screw, 4BA Tag, type 00 BLOCK, terminal, 2-way Attachment of terminal block	2 2 1	- - -	C C C	DE8/100 DE8/101 DE8/102
A43/B28 Ross Courtney P85846/1 5CZ/868	Screw, 4BA Tag, type 00 BLOCK, terminal, type B. No. 1 Attachment of terminal block	2 2 1	- - -	C C C	DE8/103 DE8/104 DE6/105
A33/A20 EAL.81.317 EAL.81.318 Type A	Screw, 4BA DETONATOR assembly (See Section PA) DETONATOR assembly (See Section PA) LAMP, taxiing	2 - - 1	- - - -	C - - C	DE6/106 DE6/107 DE6/108 DE8/109
	LOOMS, Cable G.S. (Pre Mod 5000 ALT/SB/9/005) (EB8.81.1032x6)	-	-	-	DE6/110
	LOOMS, Cable G.S (Mod 5000 ALT/SB/9/005) (EB8.81.1032x7)	-	-	-	DE6/111
	Spares for:				
EB8.81.539	CABLES, starter ignition	1	-	L	DE6/112
EB8.81.4979	CABLES, starter ignition	1	-	L	DE6/113
EB8.81.1503	CABLE, assembly, "12.L1"	1	-	L	DE6/114
EB8.81.1501	CABLE, assembly, "12.M1"	1	-	L	DE6/115
EB8.81.1505	CABLE, starter ignition 12.J1 and 12.J2	1	-	L	DE6/116
EB8.81.6827	CABLE, assembly "E8" (Mod 5000 ALT/SB/9/005)	1	-	LM	DE6/117
Smiths CA/12	CONNECTOR	1	-	C	DE6/118
Smiths CA/25	CONNECTOR	1	-	C	DE6/119
Smiths CA/55	CONNECTOR	1	-	C	DE6/120
EB8.81.541	LEAD, H.T. ignition, outboard	1	-	C	DE6/121
EB8.81.543	LEAD, H.T. ignition, inboard	1	-	C	DE6/122

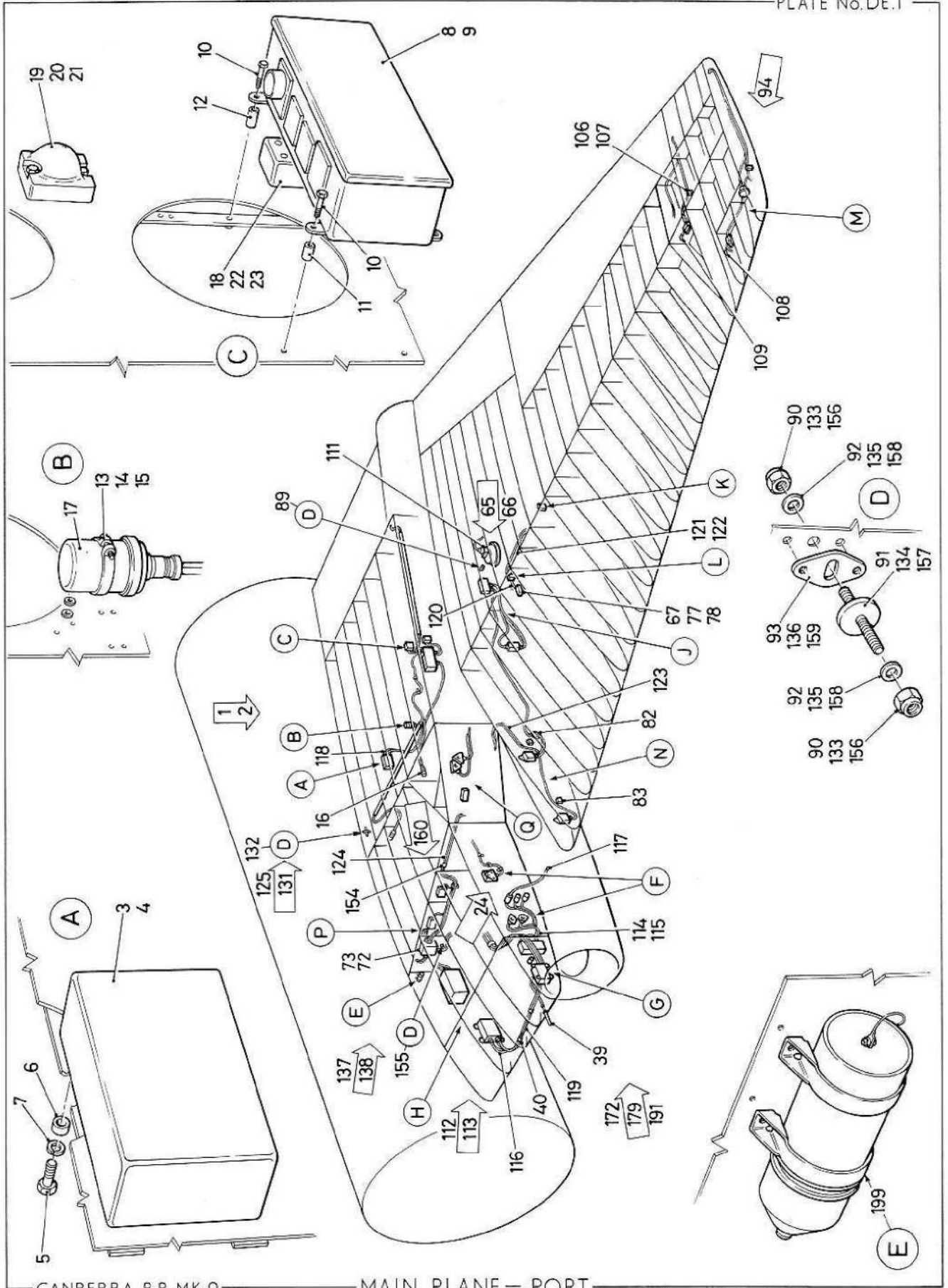
ELECTRICAL INSTALLATION  
MAIN PLANE - STARBOARD

Canberra P R Mk 9

Part No.	Description	No. off	Material Specification	Class of Eqpt M.R. or L.M.	Plate							
						1	2	3	4	5	6	
	WIRING, Leading Edge Diaphragm (Pre Mod 5000 ALT/SB/9/005) (EB8.81.1394x5)	-	-	-	DE6/123							R
	WIRING, Leading Edge Diaphragm (Mod 5000 ALT/SB/9/005) (EB8.81.1394x6)	-	-	-	DE6/124							
	Spares for:											
	BOX, Junction (JB.8) Assembly (EB8.81.1511)	-	-	-	-							R
	Spares for:											
EB8.81.1539	COVER, junction box	1	-	C	DE9/125							
EB8.81.1897	COVER, T.B. 4-way	1	-	C	DE9/126							
	Attachment of junction box to diaphragm											
A25/4C	Bolt, 2BA	4	-	C	DE9/127							
AGS2001/C1	Nut, 2BA	4	-	C	DE9/128							
Graviner												
D1200/A	BOX, firewire relay	1	-	P	DE9/129							
	Attachment of box											
A31/C12	Screw, 2BA	4	-	C	DE9/130							
EB8.81.193	FAIRLEAD	1	LFS21	C	DE9/131							
EB8.81.195	FAIRLEAD	1	LFS21	C	DE9/132							
	Attachment of fairlead to structure											
AGS2001/A1	Nut, 6BA	12	-	C	DE9/133							
A31/A20	Screw, 6BA	12	-	C	DE9/134							
SP13/A	Washer, 6BA	12	-	C	DE9/135							
Rotax												
NB25/2	IGNITION UNIT, high energy (For spares see AP1374E, Vol. 3)	1	-	P	DE9/136							
OR B.T.H.	IGNITION UNIT, high energy (For spares see AP1374E, Vol. 3)	1	-	P	DE9/137							
C.10TS.3	Attachment of unit to structure											
A25/13E	Bolt, 1/4 in. BSF	3	-	C	DE9/138							
AGS2001/E1	Nut, 1/4 in. BSF	3	-	C	DE9/139							
Hellerman												
HV3254	STRAP, "Helvin"	AR	-	C	DE6/140							R
Hellerman												
HV3255	STUD, "Helvin"	AR	-	C	-							R
EB8.81.1853	TERMINAL, Earth Assembly (Mod 5000 ALT/SB/9/005)	AR	-	-	DE6/141							
	Consisting of:											
AGS2001/C3	NUT, 2BA (ALT/SB/9/005)	2	-	C	DE9/142							
EB8.81.1855	STUD, terminal (ALT/SB/9/005)	1	L65	C	DE9/143							
EB8.81.2177	WASHER (ALT/SB/9/005)	2	L72	C	DE9/144							
EB8.81.1857	WASHER (ALT/SB/9/005)	1	L72	C	DE9/145							

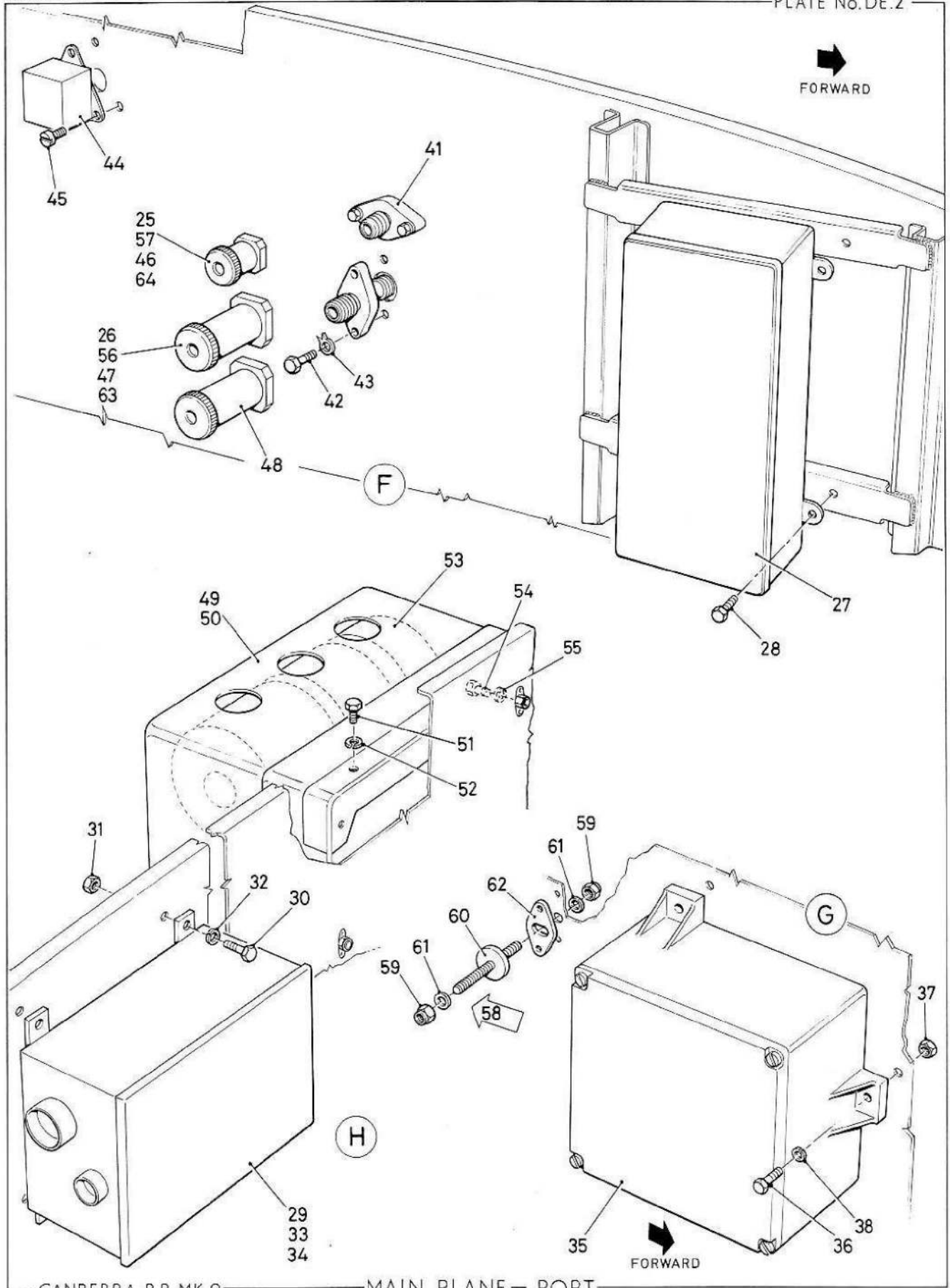
Part No.	Description 1 2 3 4 5 6	No. off	Material Specification	Class of Eqpt M.R. or L.M.	Plate	
	WIRING, Behind Leading Edge Diaphragm (EB8.81.1424)	-	-	-	DE6/146	R
	Spares for:					
AS2564	BOARD terminal	1	-	C	DE9/147	
AS2655	COVER, terminal board	1	-	C	DE9/148	
5CZ/4350489	BLOCK, terminal, 5-way	1	-	C	DE9/149	
	Attachment of terminal block to structure					
AGS2001/A1	Nut, 6BA	2	-	C	DE9/150	
A33/A28	Screw, 6BA	2	-	C	DE9/151	
SP13/A	Washer, 6BA	2	-	C	DE9/152	
EA4.81.1595	COVER, splash	1	-	C	DE9/153	
5CZ/5222	FITTING, bulkhead	2	-	L	DE9/154	
	Attachment of fitting to diaphragm					
A25/1C	Bolt, 2BA	6	-	C	DE9/155	
AGS2001/C1	Nut, 2BA	6	-	C	DE9/156	
SP13/C	Washer, 2BA	6	-	C	DE9/157	
	WIRING, Main Undercarriage (EB8.81.1382)	-	-	-	DE10/158	R
	Spares for:					
5CZ/4350489	BLOCK, terminal, 5-way	1	-	C	DE10/159	
	Attachment of terminal block					
AGS2001/A1	Nut, 6BA	2	-	C	DE10/160	
A33/A20	Screw, 6BA	2	-	C	DE10/161	
EA1.20.1245	BOLT, micro switch mounting	2	S11	C	DE10/162	
Dowty DN1322Z Mk.2	SWITCH, micro "Downlock" (Mod 4826)	1	-	P	DE10/163	R
OR						
Dowty DN1322Z Mk.3	SWITCH, micro "Downlock" (Mod 4826)	1	-	P	DE10/163	R
Dowty DN1322Z Mk.3	SWITCH, micro "Uplock"	1	-	P	DE10/164	R
	WIRING, Engine Bay, Stbd. (EB8.81.1052)	-	-	-	DE10/165	R
	Spares for:					
Rists BA59713	ADAPTOR	1	-	C	DE10/166	R
EB8.81.1879	CLIP, cable	1	S84	C	DE10/167	
EB8.81.1881	CLIP, cable	1	S84	C	DE10/168	
EB8.81.1931	CLIP, cable	2	S84	C	DE10/169	
EB8.81.1933	CLIP, cable	2	S84	C	DE10/170	

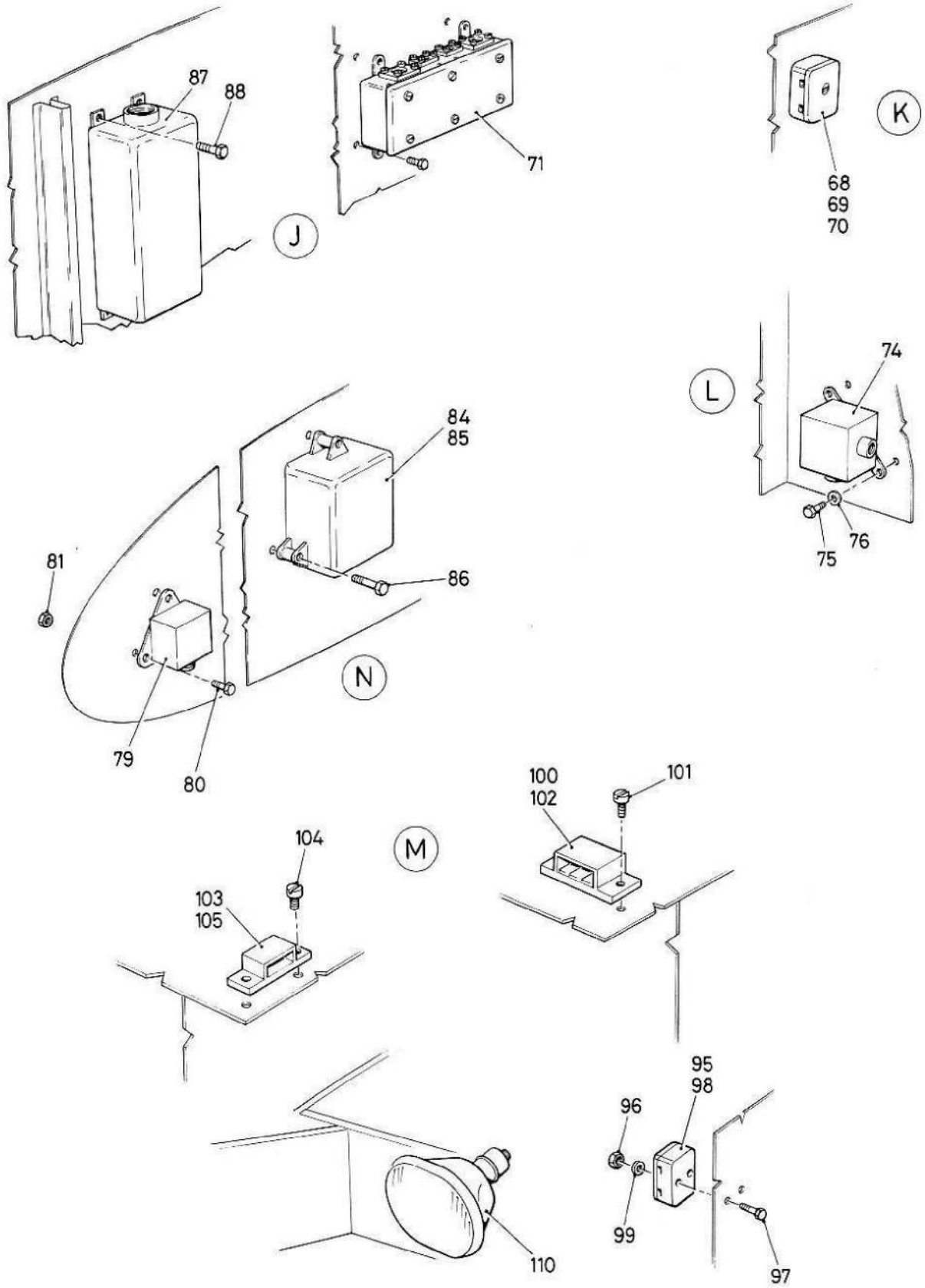


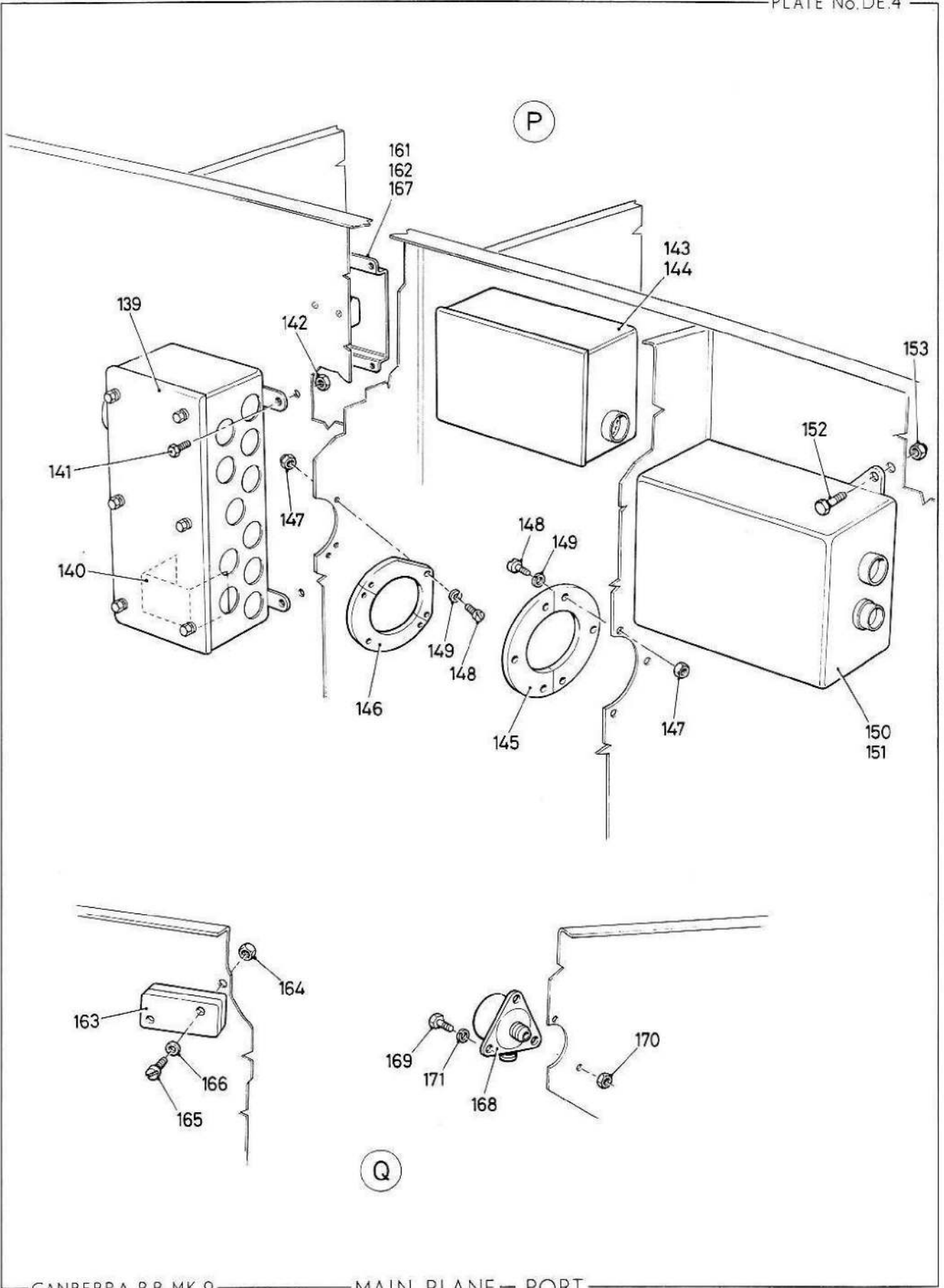


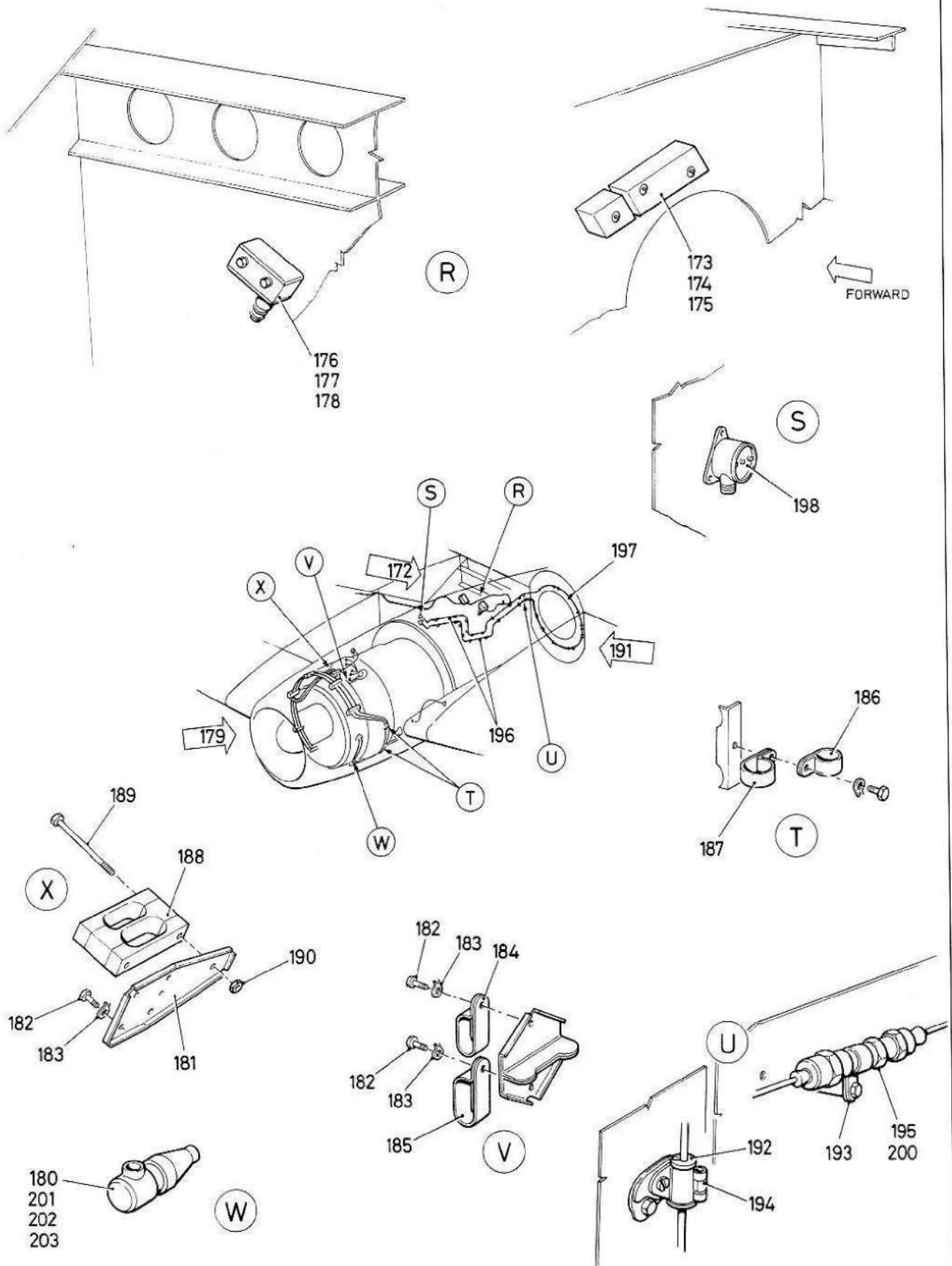
CANBERRA P.R.MK.9

MAIN PLANE - PORT

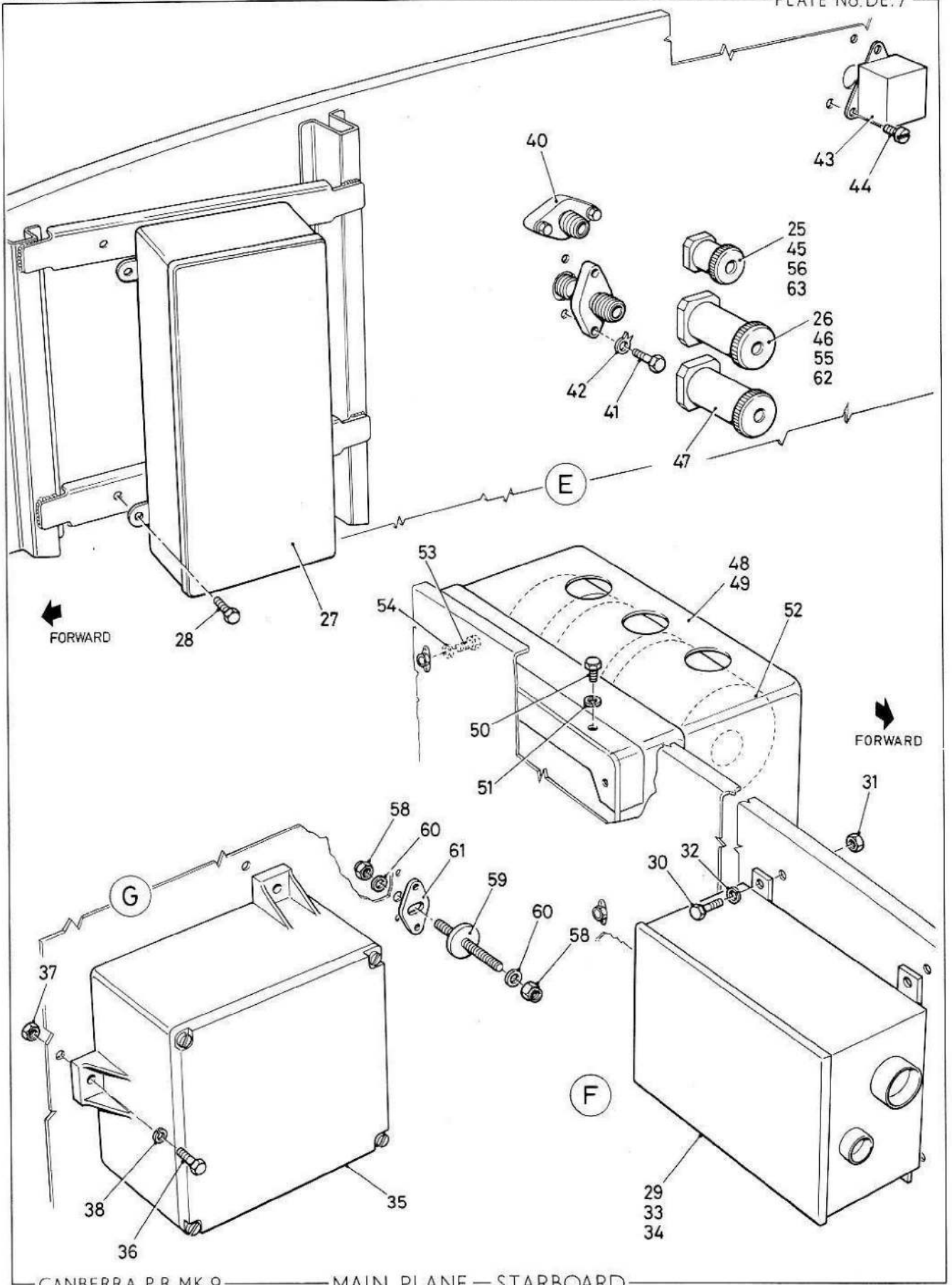


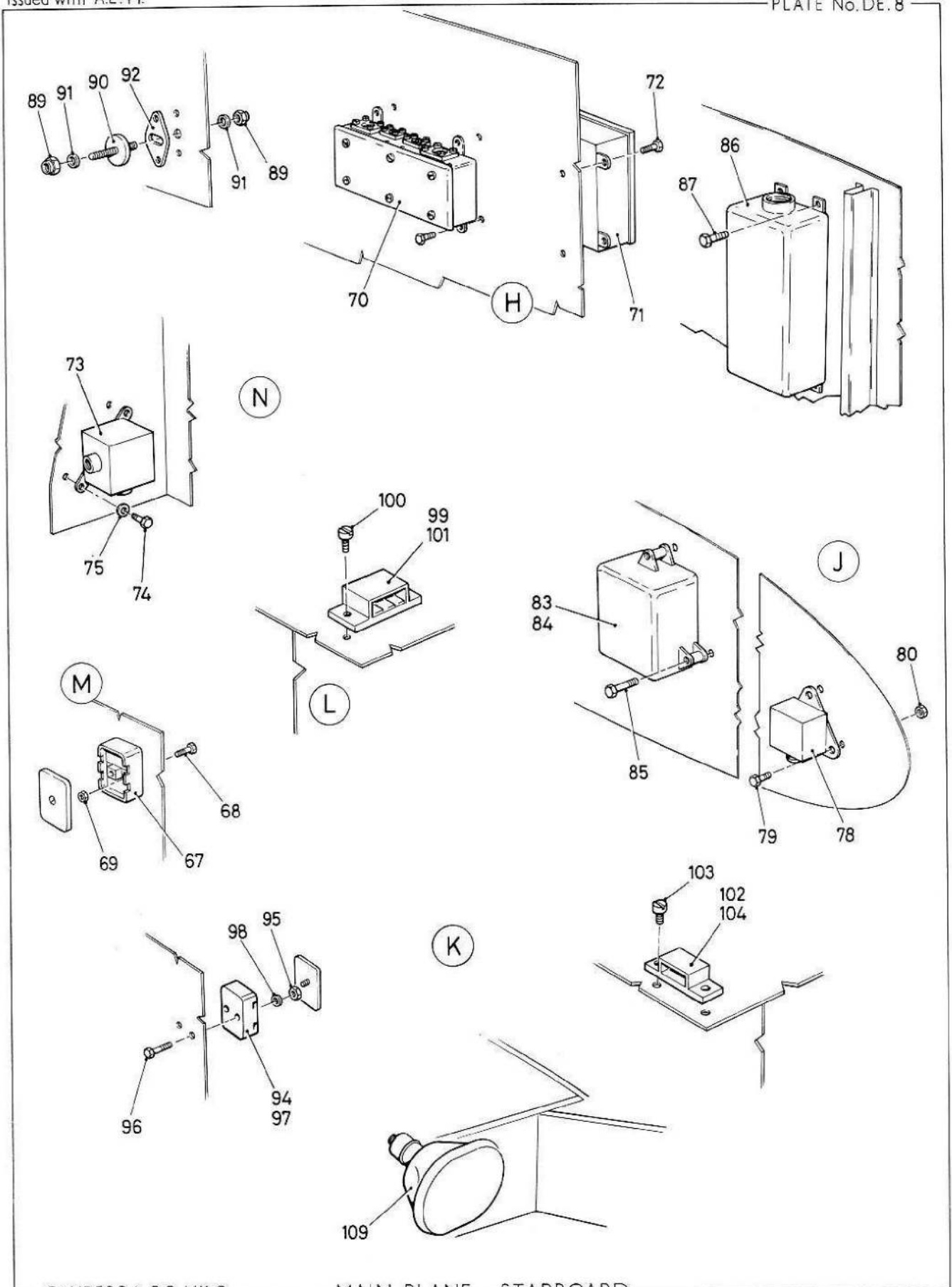


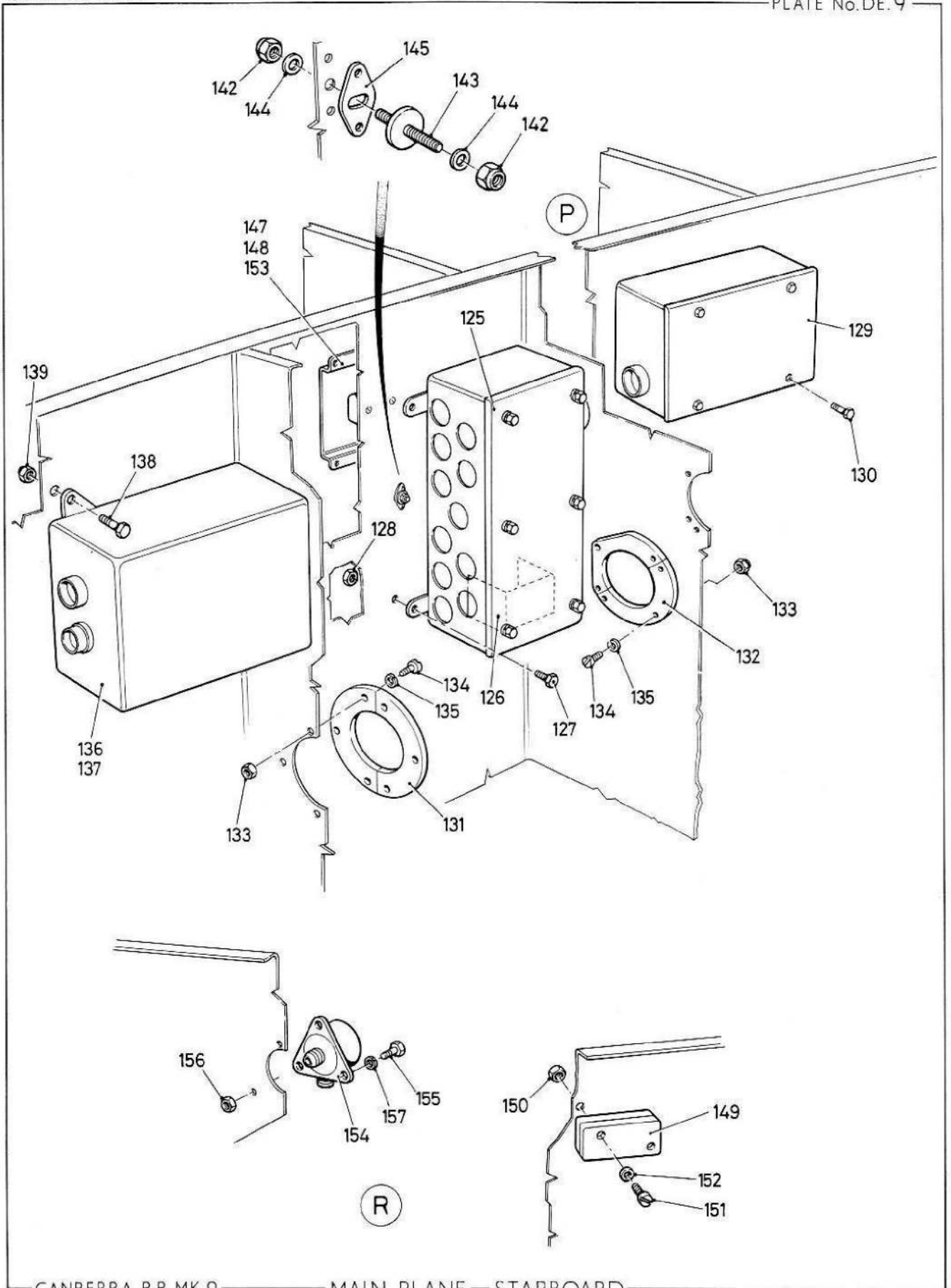


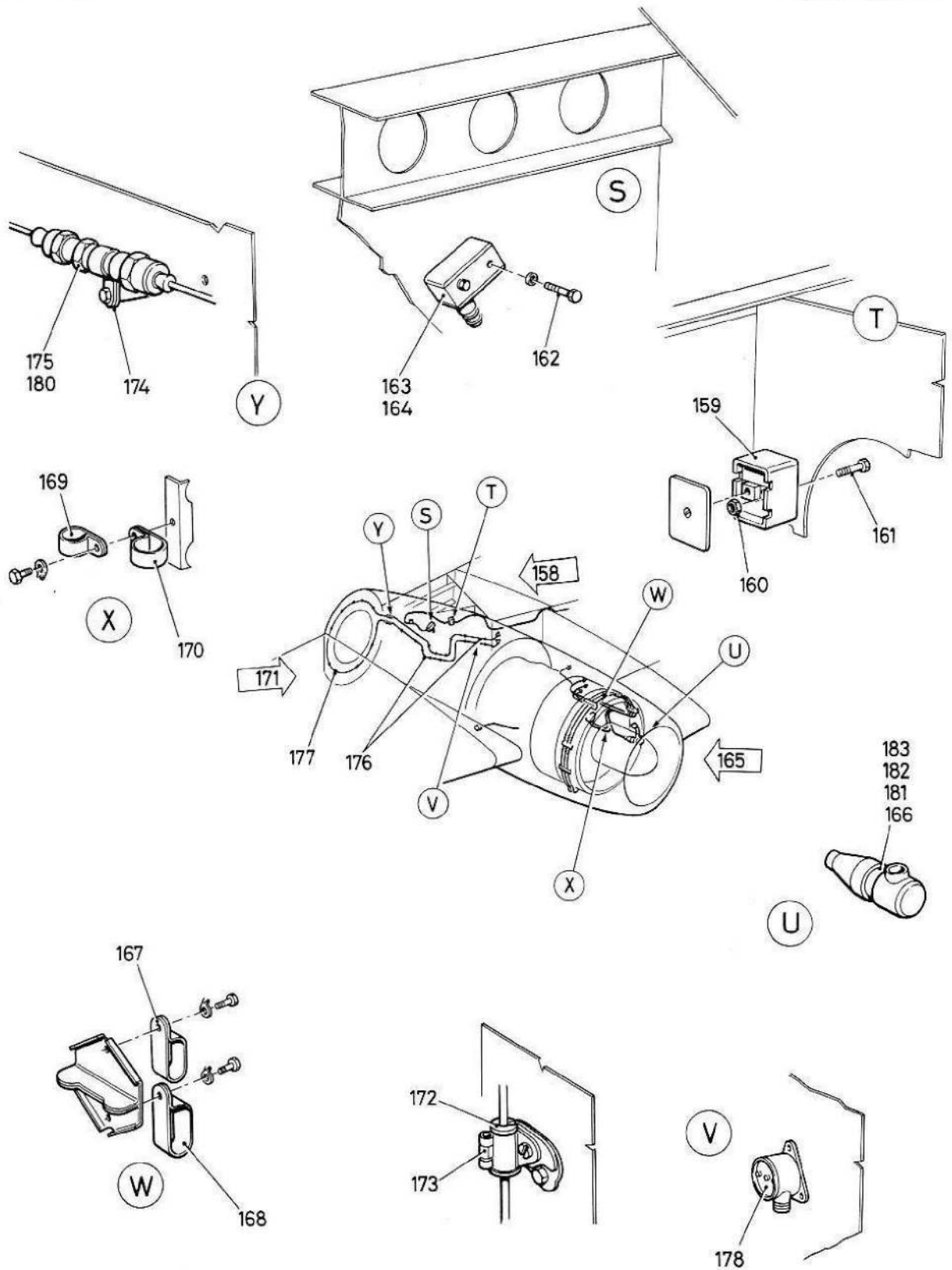












This file was downloaded  
from the RTFM Library.

Link: [www.scottbouch.com/rtfm](http://www.scottbouch.com/rtfm)

Please see site for usage terms,  
and more aircraft documents.

