

EQUIPMENT  
CAMERA

Part No.	Description	No. off	Material Specification	Class of Eqpt M.R. or L.M.	Plate
	F95 CAMERA, Nose Fuselage, Day Role Installation (EB8.83.1657)	-	-	-	
	Spares for:				
EB8.83.2339	BASEPLATE, F95 Camera, 4 in. lens (Mod 3982)	2	-	-	
EB8.83.1595	BASEPLATE, F95 camera, 4 in. lens group (Pre Mod 3982)	2	-	L	EB1/1
EB8.83.1597	BASEPLATE, F95 camera, 12 in. lens group	3	-	L	EB1/2
EB8.83.2371	BASEPLATE, stb, nose (Mod 3982)	1	-	-	
	Attachment of baseplate to camera				
AS1242/1E	Bolt, csk. 1/4 in. BSF	4	-	C	EB1/3
14A/4556	BODY, 00090 camera (Mod 3982)	3	-	P	
14A/4984	CAMERA, F95, 4 in. lens (Pre Mod 3982) or	3	-	P	EB1/4
14A/5557	CAMERA, F95, 12 in. lens (Pre Mod 3982)	3	-	P	EB1/5
14A/4557	LENS UNIT, 4 in. F.2 (Mod 3982)	3	-	P	
14A/6530	LENS UNIT, 4 in. F1.8 (Mod 3982)	3	-	P	
14A/4656	LENS UNIT, 12 in. F.4 (Mod 3982)	3	-	P	
EB8.83.2367	STOWAGE, Conversion Lead (Mod 3982)	1	-	-	
	Spares for:				
EB8.83.2365	STOWAGE	1	-	-	
	Spares for:				
CZ51538	CAP, protective	3	-	C	
Z67012	MOUNTING, panel	3	-	-	
Cannon					
2182-18	RECEPTACLE, dummy	3	-	C	
Z.49013	RING, panel mounting	3	-	C	
Z.49011	RING, panel locking	3	-	C	
Z.54102	WASHER	3	-	C	
EB8.83.2373	WING, Bolt	4	-	C	
	F96, CAMERA, Forward Bay, Day Role Installation (Mod 5133 Mod 5304 and Mod 5174) (EB8.83.3)	-	-	-	
	Spares for:				
EB8.83.989x3	MOUNTING, F96, Camera, Starboard, Group (Mod 5174)	1	-	P/MR	EB1/14
14A/5012	CAMERA, F96, Mk. 1 48 in. lens or	2	-	P	EB1/6
14A/5016	CAMERA, F96, Mk. 1 24 in. lens or	2	-	P	EB1/7
14A/6408744	CAMERA, F96, Mk. 4 (Mod 5304)	1	-	P	EB1/8
	Attachment of camera to mounting				
EB8.83.1541	Screw, shouldered, 5/16 in. BSF	4	S80	C	EB1/9
SP47/J	Washer, spring, 3/8 in.	4	-	C	
14A/4290102	LENS, 24 in. (Mod 5304)	1	-	P	EB1/10
14A/1935085	LENS, 48 in. (Mod 5304)	1	-	P	EB1/11
14A/4849	MAGAZINE, F96, Mk. 1, 500 ft.	2	-	P	EB1/12

EQUIPMENT  
CAMERA

Canberra P R Mk 9

Part No.	Description	No. off	Material Specification	Class of Eqpt M.R. or L.M.	Plate
EB8.83.989x2	MOUNTING, F96, Camera, Starboard, Group (Pre Mod 5174)	1	-	P/MR	EB1/13
EB8.83.991x2	MOUNTING, F96, Camera, Port, Group (Pre Mod 5174)	1	-	P/MR	EB1/15
EB8.83.991x3	MOUNTING, F96, Camera, Port, Group (Mod 5174)	1	-	P/MR	EB1/16
	Consisting of:				
EB8.83.979	MEMBER, Side, Group	1	-	L	EB1/17
EB8.83.980	MEMBER, Side, Group	1	-	L	EB1/18
	Spares for:				
EB8.83.201	BUSH-pivot	1	S95	C	EB1/19
EB8.83.985	BUSH-quadrant	2	S95	C	EB1/20
	Attachment of side member to double channel mounting				
A25/3C	Bolt, 2BA	8	-	C	
SP55/C	Washer, double spring, 2BA	8	-	C	
EB8.83.785x1	MOUNTING, Double Channel, Group (Pre Mod 5174)	4	-	P	EB1/21
EB8.83.785x2	MOUNTING, Double Channel, Group (Mod 5174)	4	-	P	EB1/22
	Spares for:				
EB8.83.1031	BRACKET, camera mounting	4	DTD304 or DTD721	C	EB1/23
	Attachment of bracket to double channel mounting				
EB8.83.1051	Bolt, special, 2BA	4	S80	C	EB1/24
SP55/C	Washer, double spring, 2BA	4	-	C	
EB8.83.3067	STRIP, rubber (Mod 5174)	3	-	C	
EB8.83.3069	STRIP, rubber (Mod 5174)	1	-	C	
	F96, CAMERA, Centre Bay, Day Role Installation (EB8.83.5)	-	-	-	
14A/5012	CAMERA, F96, Mk. 1, 48 in. lens or	2	-	P	EB3/1
14A/5016	CAMERA, F96, Mk. 1, 24 in. lens	2	-	P	EB3/2
	Attachment of camera to mounting				
EB8.83.1541	Screw, shouldered, 5/16 in. BSF	4	S80	C	EB3/3
SP47/J	Washer, spring, 3/8 in.	4	-	C	
14A/4849	MAGAZINE, F96, Mk. 1, 500 ft.	2	-	P	EB3/4
EB8.83.993x4	MOUNTING, F96, Camera, Port, Group (Pre Mod 5174)	1	-	-	
EB8.83.993x5	MOUNTING, F96, Camera, Port, Group (Mod 5174)	1	-	-	
EB8.83.995x4	MOUNTING, F96, Camera, Starboard, Group (Pre Mod 5174)	1	-	-	

R

EQUIPMENT  
CAMERA

Part No.	Description	No. off	Material Specification	Class of Eqpt M.R. or L.M.	Plate
EB8.83.995x5	MOUNTING, F96, Camera, Starboard Group (Mod 5174)	1	-	-	
	Consisting of:				
EB8.83.997	MEMBER, Side Group	1	-	C	EB3/5
EB8.83.998	MEMBER, Side Group	1	-	C	EB3/6
	Spares for:				
EB8.83.201	BUSH, pivot	1	S95	C	EB3/7
EB8.83.985	BUSH	3	S95	C	EB3/8
	Attachment of side member to double Channel mounting				
A25/3C	Bolt, 2BA	8	-	C	
SP55/C	Washer, double spring	8	-	C	
EB8.83.785x1	MOUNTING, Double Channel, Group (Pre Mod 5174)	1	-	P	EB3/9
EB8.83.785x2	MOUNTING, Double Channel, Group (Mod 5174)	1	-	P	EB3/10
	Spares for:				
EB8.83.1031	BRACKET, camera mounting	4	DTD304 or DTD721	C	EB3/11
	Attachment of bracket to double channel mounting				
EB8.83.1051	Bolt, special, 2BA	4	S80	C	EB3/12
SP15/C	Washer, double spring, 2BA	4	-	C	
EB8.83.3067	STRIP, rubber (Mod 5174)	3	-	C	
EB8.83.3069	STRIP, rubber (Mod 5174)	1	-	C	
	F49, CAMERA, Rear Bay, Day and Survey Role Installation (EB8.83.7)	-	-	-	-
	Spares for:				
14A/5852	ADAPTOR, F49, Mk 2 camera to mounting 6 in. lens	1	-	L	EB4/1
OR					
14A/5853	ADAPTOR, F49, Mk 3 camera to mounting 12 in. lens (Pre Mod 5289)	1	-	L	EB4/2
14A/4133	CAMERA, F49, Mk 2, 6 in. lens	1	-	P	EB4/3
14A/5513	CAMERA, F49, Mk 3, 12 in. lens (Pre Mod 5289)	1	-	P	EB4/4
EB8.83.2391	FIXED FITTINGS (Mod 4372)	-	-	-	
	Spares for:				
EB8.81.6465	BOX, Assembly Distribution	1	-	-	

EQUIPMENT  
CAMERA

Part No.	Description	No. off	Material Specification	Class of Eqpt M.R. or L.M.	Plate
EB8.81.6461	BOX, Assembly	1	-	-	
	Spares for:				
EB8.81.6455	LID, assembly	1	-	-	
Camloc 26R2-1	RECEPTACLE	4	-	C	
Camloc 2600-2	STUD	4	-	C	
EB8.81.6443	CAMERA, Pack Junction Installation	-	-	-	
	Spares for:				
EB8.81.6425	BOX, Assembly Junction	1	-	-	
	Spares for:				
EB8.81.6429	BOX, Assembly	1	-	-	
	Spares for:				
EEAS87	NUT, side anchor	4	-	C	
EEAS15/37/70/JR	PACKING	4	-	C	
EB8.81.6489	LID, Assembly	1	-	-	
	Spares for:				
EEAS117/1	SCREW	4	-	C	
EEAS42	WASHER	4	-	C	
EEAS28/2CU	WASHER	8	-	C	
14A/5851	MOUNTING, camera, type 125	1	-	P	EB4/5
	Attachment of mounting to mounting foot				
A25/30J	Bolt, 3/8 in. BSF	4	-	C	EB4/6
A27/JP	Nut, 3/8 in. BSF	4	-	C	EB4/7
SP55/J	Washer, double spring, 3/8 in.	4	-	C	EB4/8
	F96, CAMERA, Rear Bay Installation (Mod 5289) (EB8.83.3079)	-	-	-	
20532-200	CAMERA, F96 Mk. 1 (Mod 5289)	1	-	P	
	LENS, 12 in. (Mod 5289)	1	-	P	
	LENS, 6 in. (Mod 5289)	1	-	P	
	MAGAZINE, F96 Mk. 1 500 ft (Mod 5289)	1	-	P	
	MAGAZINE, F96 Mk. 1 250 ft (Mod 5289)	1	-	P	
	F96-48 in. Lens, Camera Installation (Mod 3756/B Pre Mod 5133) (EB8.83.2345)	-	-	-	
	F96-48 in. 24 in. Lens Camera Installation (Type 141Mtg) (Mod 5133) (EB8.84.1115)	-	-	-	
	Spares for:				
EB8.83.2283	CROSS SUPPORT, Assembly (Pre Mod 5133)	1	-	C	
EB8.83.2284	CROSS SUPPORT, Assembly (Pre Mod 5133)	1	-	C	

R

R

R

R

R

R

EQUIPMENT  
CAMERA

Part No.	Description	No. off	Material Specification	Class of Eqpt M.R. or L.M.	Plate
Spares for:					
EB8.83.2299 Survey CX001-524	BUSH (Pre Mod 5133)	12	S95	C	
	MOUNTING, anti-vibration (Pre Mod 5133)	6	-	C	
EB8.83.2349 14A/6426186	LEAD, bonding (Pre Mod 5133)	6	-	C	
	MOUNTING, Camera type 141 (Mod 5133)	1	-	L	
EB8.83.2361	PIECE, distance (Pre Mod 5133)	4	L65	C	
EB8.83.2303	SUPPORT, block assembly (Pre Mod 5133)	1	-	C	
EB8.83.2304	SUPPORT, block assembly (Pre Mod 5133)	1	-	C	
EB8.83.2305	SUPPORT, block assembly (Pre Mod 5133)	1	-	C	
EB8.83.2306	SUPPORT, block assembly (Pre Mod 5133)	1	-	C	
EB8.83.2333	SUPPORT, block assembly (Pre Mod 5133)	1	-	C	
EB8.83.2334	SUPPORT, block assembly (Pre Mod 5133)	1	-	C	
EB8.83.2335	SUPPORT, block assembly (Pre Mod 5133)	1	-	C	
EB8.83.2336	SUPPORT, block assembly (Pre Mod 5133)	1	-	C	
	F.49 camera Mk. 4 Removable Fittings Installation (EB8.00.701)	-	-	-	
Spares for:					
EB8.83.2403	BEAM, Adaptor, Assembly	1	-	C	
Spares for:					
EB8.83.2827	ADAPTOR, torque spinner	1	S15	C	
EB7.83.5535	BLOCK, locating	1	S96	C	
EB7.83.5537	BLOCK, locating	1	S96	C	
EB8.83.2825	BLOCK, locating	4	S96	C	
EB7.83.5575	BLOCK, rubbing 3/4 in. thick	1	BS.2572	C	
EB8.83.2907	BOLT	2	S96	C	
EB7.83.6511	BRACKET, hoist	2	L65	C	
M.L. Aviation YT6340.1C	CRUTCHING UNIT	1	-	-	
EB7.83.5547	GUIDE, winding handle	1	-	C	
EB8.83.2830	PLATE, bearing	1	S96	C	
EB7.83.5597	SPIGOT	2	S80	C	
EB8.81.6193x8	Box Assembly Control (SA 4901) (Pre Mod 5151)	1		P	
EB8.81.6193x11	Box Assembly Control (Mod 5151 and SA 5359)	1		P	
Spares for:					
Clare 609/12002	BASE, relay	4	-	-	
EB8.81.6225	BASE PLATE, Assembly	-	-	-	
Spares for:					
EB8.81.6199	BOARD, Assembly Mounting	-	-	-	
Spares for:					
KT95291/5	BARB insulator	14	-	C	
CPM4J	CAPACITOR, 5 mf 200V.DC	4	-	C	
RC7.K	RESISTOR, 10 ohms 1/4 W	2	-	C	

R

R

EQUIPMENT  
CAMERA

Part No.	Description	No. off	Material Specification	Class of Eqpt M.R. or L.M.	Plate
EB8.81.6237	BOARD Assembly, Mounting	-	-	-	
	Spares for:				
KT95291/5	BARB, insulator	14	-	C	
CPM4J	CAPACITOR 5mf 200V. DC	4	-	C	
RC7.K	RESISTOR, 10 ohms 1/4 W	2	-	C	
EB8.81.6241	BOARD, Assembly, Mounting	-	-	-	R
	Spares for:				
KT95291/5	BARB, insulator	6	-	C	
CPM4K	CAPACITOR, 1mf.220V.DC	2	-	C	
EB8.81.6245	BOARD, Assembly, Mounting	-	-	-	R
	Spares for:				
KT95291/5	BARB, insulator	28	-	C	
CE.7F	CAPACITOR 25mf 50V	1	-	C	
RC3.N	RESISTOR, 39 ohms	1	-	C	
RC3.N	RESISTOR, 68 ohms	3	-	C	
RC3.N	RESISTOR, 91 ohms	3	-	C	
RC3.N	RESISTOR, 22 ohms	1	-	C	
RC3.N	RESISTOR, 82 ohms	1	-	C	
RC3.N	RESISTOR, 110 ohms	1	-	C	
RC3.N	RESISTOR, 160 ohms	1	-	C	
RC3.N	RESISTOR, 30 ohms	1	-	C	
EB8.81.6249	BOARD, Assembly Mounting (Pre Mod 5151)	-	-	-	R
EB8.81.6249x7	BOARD, Assembly Mounting (Mod 5151 and SA 5359)	-	-	-	R
	Spares for:				
KT95291/5	BARB, Insulator	36	-	C	
CPM4-H	CAPACITOR, 25mf 200 V. D.C. (Pre Mod 5151) or	7	-	C	
50201-599-025-0M	CAPACITOR 25mf 200V D.C. (Pre Mod 5151)	7	-	C	
CPM4-H	CAPACITOR 25mf 200V D.C. (Mod 5151 and SA 5359)	9	-	C	
50201-599-025-0M	CAPACITOR, 25mf 200V D.C.	9	-	C	
Fairey Surveys AX098.127	INDUCTOR, 400 mh	5	-	C	
Fairey Surveys AX098.127	INDUCTOR, 400 mh	12	-	C	
Fairey Surveys AX098.126	INDUCTOR 50 mh	2	-	C	
EB8.81.6233	BRACKET, assembly	1	-	C	
Counting Insts 5213	COUNTER	1	-	C	
Dowty DN1245Z Mk.9	INDICATOR, magnetic	1	-	C	
14A/1106166	INDICATOR, drift position	1	-	C	
Sangamo Weston S63/4/887	INDICATOR, temperature	1	-	C	R

EQUIPMENT  
CAMERA

Part No.	Description	No. off	Material Specification	Class of Eqpt M.R. or L.M.	Plate
Bulgin K.435	KNOB	2	-	C	
EB8.81.6479	LABEL (Pre Mod 5151)	1	-	C	
EB8.81.6479x2	LABEL (Mod 5151)	1	-	C	
Clare RP7641G33	RELAY, 675 ohms	4	-	C	
AS10512A-2	SWITCH	3	-	C	
AS10512A-2	SWITCH	1	-	C	
N.S.F. 91826 DM1	SWITCH	2	-	C	
Plessey 177/67	SUPPRESSOR, transient	3	-	C	
HC294	Tag (Pre Mod 5151)	20	-	C	
HC294	Tag (Mod 5151)	27	-	C	
14A/1106165	TRANSMITTER, drift setting	1	-	C	
14A/1062902	CAMERA, F49 Mk. 4	1	-	C	
14A/1062904	MAGAZINE	1	-	C	
EB8.83.2401	PACK Assembly F49 Mk. 4 Camera	-	-	-	
	Spares for:				
EB7.83.7063	COVER, F49 Mk. 4 Camera Pack	-	-	-	
	Spares for:				
Carr 295A	FASTENER, washer	4	-	C	
Carr 895	FASTENER, stud	4	-	C	
Carr N608	FASTENER, socket	4	-	C	
Carr 708A	PLATE	4	-	C	
EB8.83.2413	DEMIST, Assembly	-	-	-	
	Spares for:				
Bells Asbestos BA.50052.14	CLAMP, janitrol	2	-	C	
High Temp. Eng. HTE2109/001A2	COUPLING, flexible hose	1	-	C	
EB7.83.6537	GASKET	1	DTD.378/A	C	
EB7.83.6535	GASKET,	1	DTD.378/A	C	
EB8.83.2749	LAGGING	1	-	C	
High Temp. Eng. HTE496/18A	METASEAL	2	-	C	
EB8.83.2743	PIPE, assembly	1	-	C	
High Temp. Eng. HTE742/2L	STOWAGE, dummy	1	-	C	
High Temp. Eng. HTE624/001A2	VALVE, assembly	1	-	L	
EB8.81.6201	ELECTRICAL, Assembly	-	-	-	
	Spares for:				
Adwest - Eng. EJB85041	ACTUATOR	1	-	C	
Sangamo Weston S110/4/103	BULB, thermo	1	-	C	
EB8.81.6213	CABLE, rectifier	1	-	C	

EQUIPMENT  
CAMERA

Part No.	Description	No. off	Material Specification	Class of Eqpt M.R. or L.M.	Plate
EB8.81.6215 Dublier CTDU/4471 EB8.81.6271	CABLE, rectifier  CAPACITOR, 5000mf 50V CLIPPING Assembly	1 1 -	- - -	C C -	
	Spares for:				
EB8.83.2443 EB8.83.2445 EB7.81.6407	BLOCK, mounting BLOCK, mounting COVER, relay, panel	6 1 1	- - -	C C C	
	EARTH Installation, Ground Test (Mod 5139)	-	-	-	
	Spares for:				
A25/2C B5C A27/CP A125/D66 SP13/C Teddington 4101.002.000 E.K. Cole E.782 Sangamo Weston L5.586 EB7.81.6191	BOLT, 2BA LEAD, bonding NUT 2BA NUT, stiff UNF 2B WASHER  FLAMESTAT  INVERTER, static  LEAD, connecting PANEL, Assembly	2 2 4 2 8  1  1  1 -	- - - - -  -  - - -	C C C C C  C  C  - -	
	Spares for:				
Clare 609/12002 EB7.81.6409 D5900 Clare RF7641G33 E.K. Cole M2228A Raychem U.K. 9025.022.168N Honeywell Type 1HY1 OR Dowty 622800100 EB8.83.2411	BASE, relay PILLAR, support RELAY, type 20B No. 3  RELAY, 675 ohms  RACK inverter mounting  SEAL, end  SWITCH, micro  SWITCH, micro (Mod 5374) MECHANISM, Camera Door	7 6 3  7  1  1 3 3 -	- - -  -  -  - - - -	- C C  -  C  C C -	
	Spares for:				
Skefco CBA0 Rose Bros. RMVV4 EB7.83.5805	BEARING  BEARING BEARING, Assembly	4  4 -	-  - -	C  C -	
	Spares for:				
Manganese Bronze PCT251	BUSH "Oilite" x 3/8 in. long	8	-	C	

EQUIPMENT  
CAMERA

Part No.	Description	No. off	Material Specification	Class of Eqpt M.R. or L.M.	Plate
EB7.83.5797	BOLT, shouldered	4	S96	C	
EB7.83.5955	BOLT, striker	3	S96	C	
EB8.83.2865	BOLT, 2BA	4	S99	C	
EB8.83.2813	BRACKET roller	4	S80	C	
EB8.83.2801	DOOR Assembly Camera	-	-	-	
	Spares for:				
EB8.83.2865	BOLT, 2BA	6	S99	C	
EB7.83.5809	FORK, rack support	4	S96	C	
EB7.83.5381	GEAR BOX Assembly	-	-	-	
	Spares for:				
EB7.83.5751	BRACKET Assembly Gear Mounting	-	-	-	
	Spares for:				
Manganese Bronze FBS398	BUSH, "Oilite"	1	-	-	
EB8.83.2819	PIN	4	S80	C	
EB8.83.2817	ROLLER	4	Nylon 66	C	
EB8.83.2815	SLEEVE	4	S80	C	
14A/6465	MOUNTING, type 133	1	-	C	
EB8.83.2407	PANEL, Assembly Access Top	1	-	-	
	Spares for:				
Camloc 40G-16-100-1	GROMMET	4	-	-	
Camloc 40G-16-040-1	GROMMET	15	-	-	
EB8.83.2437	STRIP, sealing (Make from BAC M571 Shore 45' x 28 in. 1 in x 1/16 in thick)	4	-	LM	
Camloc 4002-9W	STUD	15	-	-	
Camloc 4002-10W	STUD	4	-	-	
EB8.83.2409	PANEL, Assembly Access	1	-	-	
	Spares for:				
Camloc 40G-16-040-1	GROMMET	10	-	-	
EB8.83.2641	PLATE, Vent engraved	1	-	-	
Camloc 4002-6W	STUD	10	-	-	
EB8.83.2919	SEAL, rubber (Pre Mod 5282) (Make from Ref 4431)	1	EEAS 123	LM	
EB8.83.3083	SEAL, 'P' (Mod 5282) (Make from Ref 6147756)	1	EEAS 845	LM	
EB8.83.2921	SEAL, rubber (Pre Mod 5282) (Make from Ref 4431)	1	EEAS 123	LM	
EB8.83.3085	SEAL, 'P' (Mod 5282) (Make from Ref 6147756)	1	EEAS 845	LM	
EB8.83.2405	SHELL Assembly Camera Pack	-	-	-	
	Spares for:				
EB8.83.2883	CASTORS Installation	-	-	-	

EQUIPMENT  
CAMERA

Part No.	Description	No. off	Material Specification	Class of Eqpt M.R. or L.M.	Plate
	Spares for:				
EB8.83.2885	CASTOR Assembly	-	-	-	
	Spares for:				
Flexello LM.EB5013 WRP518B EB8.83.2691	CASTOR WHEEL COVER, Gear Assembly	4 4 4	- - -	C C C	
	Spares for:				
EB8.83.2913	SEAL (Make from 26FZ/208 EEAS 74 x 66 ins. long)	2	-	LM	
EB8.83.2915	SEAL, (Make from 26FZ/208 EEAS 74 x 1.7 ins. long)	2	-	LM	
EB8.83.2917	SEAL, (Make from 26FZ/208 EEAS 74 x 8.25 ins. long)	1	-	LM	
EB8.83.2751	FAIRING, Assembly Side Port	-	-	-	
	Spares for:				
EB8.83.2757	STRIP, sealing, aft	1	BS.2572 Type F3	C	
EB8.83.2759	STRIP, sealing fwd.	1	BS.2572 Type F3	C	
EB8.83.2949	STRIP, sealing, fwd.	1	BS.2572 Type F3	C	
EB8.83.2951	STRIP, sealing, aft	1	BS.2572 Type F3	C	
EB8.83.2752	FAIRING, Assembly Side Starboard	-	-	-	
	Spares for:				
EB8.83.2758	STRIP, sealing, aft	1	BS.2572 Type F3	C	
EB8.83.2760	STRIP, sealing, fwd.	1	BS.2572 Type F3	C	
EB8.83.2950	STRIP, sealing, fwd.	1	BS.2572 Type F3	C	
EB8.83.2952	STRIP, sealing, aft	1	BS.2572 Type F3	C	
EB8.83.2847	HOIST GEAR, Assembly (Pre SA5366)	1	-	-	
EB8.83.3071	HOIST GEAR, Assembly Left Hand (SA 5366)	1	-	-	
EB8.83.3072	HOIST GEAR Assembly Right-hand (SA 5366)	1	-	-	
	Spares for:				
EB7.83.6357 Camloc 7C1.8W EB8.83.2849 EB8.83.2850	BEARING CLAMP HOIST, Assembly HOIST, Assembly	2 2 1 1	- - - -	C C - -	

EQUIPMENT  
CAMERA

Part No.	Description	No. off	Material Specification	Class of Eqpt M.R. or L.M.	Plate
	Spares for:				
EB8.83.2853	CABLE, hoist	2	-	C	
EB7.83.6567	SHAFT, drive	2	-	C	
EB7.83.6573	SLEEVE	2	S96	C	
EB8.83.2729	PANEL, Assembly Side	1	-	-	
	Spares for:				
Camloc 40G-16-040-1	GROMMET	10	-	-	
Camloc 4002-4	STUD	10	-	C	
EB7.83.6825	PANEL, Assembly Heater	1	-	-	
	Spares for:				
Plannair 3PL181-859H	HEATER/BLOWER, Unit	1	-	P	
EB8.83.2941	STRIP, sealing (Make from BAC M571 Shore 45 x 23.7 ins. x .75 ins. x 1/16 in. thick)	2	-	LM	
EB8.83.2943	STRIP, sealing (Make from BAC M.571 Shore 45 x 7.85 ins. x .75 in. x 1/16 in. thick)	2	-	LM	
Engel & Gibbs QS7534	SWITCH, temperature	1	-	C	
EB8.83.2591	POSTS, Assembly Support	-	-	-	
EB8.83.2592	POSTS, Assembly Support	-	-	-	
	Spares for:				
EB8.83.2791	BOLT, swivelling	4	S80	C	
EB8.83.2889	BRACKET, castor support	4	L65	C	
EB8.83.2449	LUG, suspension	4	L65	C	
EB7.83.6255	ROLLER	6	-	C	
EB7.83.6301	SEAL, rubber (Pre Mod 5282) (Make from Ref 4432)	2	EEAS 121	LM	
EB8.83.3087	SEAL, 'P' (Mod 5282) (Make from Ref 6147758)	2	EEAS 843	LM	
EB8.83.2901	SEAL, rubber (Pre Mod 5282) (Make from Ref 4432)	1	EEAS 121	LM	
EB8.83.3089	SEAL, 'P' (Mod 5282) (Make from Ref 6147758)	1	EEAS 843	LM	
EB8.83.2902	SEAL, rubber (Pre Mod 5282) (Make from Ref 4432)	1	EEAS 121	LM	
EB8.83.3090	SEAL, 'P' (Mod 5282) (Make from Ref 6147758)	1	EEAS 843	LM	
EB8.83.2651	STRUCTURE Assembly Camera Pack	-	-	-	
	Spares for:				
EB8.83.2787	BRACKET	2	-	C	
	Spares for:				
Manganese Bronze CT538	BUSH, "Oilite" 1/2 in. long	1	-	-	
Avdel 2101-0602	JO-BOLT	2	-	C	
Avdel 2101-0605	JO-BOLT	2	-	C	
Camloc 40R-12-1	RECEPTACLE	2	-	-	

EQUIPMENT  
CAMERA

Part No.	Description	No. off	Material Specification	Class of Eqpt M.R. or L.M.	Plate
Camloc 214-16N EB8.83.2701	RECEPTACLE STRUCTURE, Assembly Pack Shelf	20 -	- -	- -	
	Spares for:				
EB7.83.5819	BLOCK, cam	1	L65	C	
EB7.83.5820	BLOCK, cam	1	L65	C	
EB8.83.2709	TRACK, roller	1	L93	C	
EB8.83.2710	TRACK, roller	1	L93	C	
EB8.83.2425	STRAP, Assembly cover stowage	1	-	C	
EB8.83.2419	WINDOW, Installation	-	-	-	
	Spares for:				
EB8.83.2421	COVER, protective	1	-	C	
EB8.83.2771	WINDOW, Assembly	1	-	-	
	Spares for:				
EB8.83.2783	COVER, protective	1	-	C	
EB4.83.5487	CUSHION, peripheral (Make from BSS F61 Shore 40-50 x 70 ins. x 5 ins. x in. thick	1	-	LM	
EB8.83.2773	FRAME, Assembly	1	-	L	
	Spares for:				
Manganese Bronze CT538	BUSH, "Oilite" 5/16 in. long	4	-	C	
Heli-Coil 2631-4N7	INSERT, threaded	24	-	C	
Heli-Coil 1331-4N5	INSERT, threaded	8	-	C	
Camloc 40G-16-160-1	GROMMET	2	-	-	
EB8.83.2781	RING, cushion 1/16 in. thick	1	BSS.F61	C	
EB8.83.2779	RING, retaining 12 swg	1	L72	C	
EB7.83.6275	SEAL, (Make from 26DK/36824 EEAS 304 x 70 ins. long)	1	-	LM	
Camloc 4002-18	STUD	2	-	-	
Camloc 4002-5W	WASHER, retaining	2	-	C	
EB8.83.2777	WINDOW	1	-	C	
	ARI 5969/5 (IRLS) Equipment List of parts required for Mod 5131 (Satisfied by SRIM 3953, SEM/CAN/075/STC and SRIM 4031)	-	-	-	
	Spares for:				
AV121	ADHESIVE, Araldite	AR	-	C	
AY103	ADHESIVE, Araldite	AR	-	C	
	ANGLE, 2-1/2 in. x 1-1/2 in. x 3/16 in.	AR	L65	LM	
	BALLOON	AR	-	C	
30A/9610692	BAR, 1/4 in. dia.	AR	S95	LM	

EQUIPMENT  
CAMERA

Part No.	Description	No. off	Material Specification	Class of Eqpt M.R. or L.M.	Plate
30A/3304	BAR	AR	S96	LM	
30A/9510752	BAR, 3 in. x 1 in.	AR	S95	LM	
30A/9610227	BAR, 2 in. dia.	AR	S1	LM	
30A/9610435	BAR, 2 in. dia.	AR	S80	LM	
30A/9610462	BAR, 1-1/2 in. dia.	AR	S1	LM	
30A/9610593	BAR, 3 in. dia.	AR	S93	LM	
30A/9610596	BAR, 6 in. dia.	AR	S93	LM	
30A/9610625	BAR, 2-1/2 in. dia.	AR	S96	LM	
30B/9611414	BAR, 6 in. dia.	AR	L85	C	
30B/9611452	BAR, 3 in. x 1 in.	AR	L65	LM	
30B/9611453	BAR, 3 in. x 2 in.	AR	L65	LM	
5154	BAR, 9/16 in. dia.	AR	-	LM	
WB/UN/1146/S5B	BLOCK, terminal	1	-	C	
A102/1A	BOLT, 4-40 UNC	24	-	C	
A102/1C	BOLT, 8-32 UNC	12	-	C	
A102/2D	BOLT, 10-32 UNF	49	-	C	
A102/3D	BOLT, 10-32 UNF	110	-	C	
A102/4D	BOLT, 10-32 UNF	18	-	C	
A102/5D	BOLT, 10-32 UNF	18	-	C	
A102/6D	BOLT, 10-32 UNF	4	-	C	
A102/8D	BOLT, 10-32 UNF	12	-	C	
A102/10D	BOLT, 10-32 UNF	4	-	C	
A102/13D	BOLT, 10-32 UNF	4	-	C	
A113/5D	BOLT, 10-32 UNF	20	-	C	
A113/12D	BOLT, 10-32 UNF	2	-	C	
A173/1D	BOLT, 10-32 UNF	12	-	C	
A173/2D	BOLT, 10-32 UNF	2	-	C	
A173/3D	BOLT, 10-32 UNF	52	-	C	
A173/4D	BOLT, 10-32 UNF	44	-	C	
A173/5D	BOLT, 10-32 UNF	28	-	C	
A173/9D	BOLT, 10-32 UNF	4	-	C	
A102/4E	BOLT, 1/4 in. UNF	3	-	C	
A102/10E	BOLT, 1/4 in. UNF	4	-	C	
A102/8J	BOLT, 3/8 in. UNF	4	-	C	
A112/8J	BOLT, 3/8 in. UNF	1	-	C	
A102/1L	BOLT, 7/16 in. UNF	4	-	C	
11A/C61777	BRACKET, receiver LH	1	-	C	
11A/C61776	BRACKET, receiver RH	1	-	C	
5F/6340946	BRAID, screening	AR	-	C	
5CY/4376248	BREAKER, circuit	1	-	C	
5E/9467424	CABLE, Unipren 6	AR	-	C	
5E/9014620	CABLE, Nyvin 00	AR	-	C	
5E/2206312	CABLE, Triminyvin 20	AR	-	C	
5E/2206305	CABLE, Duminyvin 22	AR	-	C	
5E/1170128	CABLE, Triminyvin MS22	AR	-	C	
5E/5300	CABLE, Triminyvin MS16	AR	-	C	
5E/0157604	CABLE, RF, URM 111	AR	-	C	
5E/1079607	CABLE, Triminyvin 16	AR	-	C	
5E/1170124	CABLE, Duminyvin MS22	AR	-	C	
5E/2206306	CABLE, Duminyvin 20	AR	-	C	
5E/2206311	CABLE, Triminyvin 22	AR	-	C	
5E/1118763	CABLE, EET 2	AR	-	C	
5E/1170127	CABLE, Duminyvin MS16	AR	-	C	
5E/1934454	CABLE, Minyvin 20	AR	-	C	
5E/1934441	CABLE, Minyvin 22	AR	-	C	
5E/1934447	CABLE, Minyvin 16	AR	-	C	
5E/1934452	CABLE, Minyvin MS16	AR	-	C	
5E/1934455	CABLE, Minyvin MS22	AR	-	C	
600300-20	CABLE, RG316	AR	-	C	

R

EQUIPMENT  
CAMERA

Canberra P R Mk 9

Part No.	Description	No. off	Material Specification	Class of Eqpt M.R. or L.M.	Plate
GTR62/8	CLAMP	1	-	C	
GTR62/10	CLAMP	3	-	C	
GTR62/14	CLAMP	1	-	C	
GTR62/18	CLAMP	3	-	C	
600026-20-12	CLAMP	2	-	C	
600026-22-12	CLAMP	6	-	C	
AS3180/20B	CLIP, 'P'	3	-	C	
AS3180/16B	CLIP, 'P'	3	-	C	
33H/2202080	COMPOUND, jointing	AR	-	C	
128498A2	CONNECTOR	1	-	C	
127741A2	CONNECTOR	1	-	C	
127582A2	CONNECTOR	1	-	C	
127590A1	CONNECTOR	1	-	C	
127591A2	CONNECTOR	1	-	C	
127592A2	CONNECTOR	1	-	C	
127593A2	CONNECTOR	1	-	C	
127594A2	CONNECTOR	1	-	C	
127597A1	CONNECTOR	1	-	C	
127599A2	CONNECTOR	1	-	C	
127600A1	CONNECTOR	1	-	C	
127612A2	CONNECTOR	1	-	C	
32A/0119481	CORD, Lacing, nylon	AR	-	C	
DTD481E	CORD	AR	-	C	
WE/UN/1110B/4	COVER, terminal block	1	-	C	
1496690	DOOR, assy, mapper	1	-	LM	
Type PU/G15/25/2	DUCTING and CUFFS (Falconia, light weight flexible 3.5 in. dia.)	AR	-	C	
33B/2204527	ETCH, primer	AR	DEF STAN 80-15/1	C	
32B/2204529	ETCH, accelerator	AR	DEF STAN 80-15/1	C	
29H/1250127	FERRULE	4	-	C	
32H/9437791	FILLER	AR	-	C	
Vitality 736	FILAMENT, 28V, 0.04A	1	-	C	
SP93/A18	GROMMET	2	-	C	
SP95/A32	GROMMET	2	-	C	
SP95/A16	GROMMET	2	-	C	
4002-P3-187	GROMMET	12	-	C	
Camloc 40G-16-70	GROMMET	16	-	C	
HY951	HARDENER	AR	-	C	
AS1879	HINGE	AR	-	C	
L1382H	HOLDER, fuse	1	-	C	
AQ656/1	HOSE, 5/16 in. O/D	AR	-	C	
AS8451/20	INSERT, thread	4	-	C	
90G99098/3	INSERT, Nylon	24	-	C	
MGE400	INVERTER	1	-	C	
GE35030/C22	JACK, B/H BNC	1	-	C	
AGS3818/0606	JO-BOLT	8	-	C	
AGS3818/0611	JO-BOLT	8	-	C	
5CX/4330002	LAMP, 1A	2	-	C	
02-0084	LAMP	1	-	C	
10AT/9431830	LENS, yellow	1	-	C	
110AS/1965276	MAGAZINE	1	-	-	
96214-644850-1	MOUNT, AV	1	-	C	
96214-644850-2	MOUNT, AV	2	-	C	
AS8603/A	NUT, anchor, 4-40 UNC	24	-	C	
A136/C66	NUT, anchor, 8-32 UNC	12	-	C	

R  
R  
R

R

R

R

R

R







EQUIPMENT  
CAMERA

Part No.	Description	No. off	Material Specification	Class of Eqpt M.R. or L.M.	Plate
AGS2037/C	WASHER, 2BA	2	-	C	
SP122/A	WASHER, 4-40 UNC	24	-	C	
SP124/D	WASHER, 4-40 UNC	2	-	C	
SP122/B	WASHER, 6-32 UNC	3	-	C	
SP126/B	WASHER, 6-32 UNC	2	-	C	
SP122/C	WASHER, 8-32 UNC	15	-	C	
SP122/D	WASHER, 10-32 UNF	149	-	C	
SP125/D	WASHER, 10-32 UNF	32	-	C	
SP126/D	WASHER, 10-32 UNF	36	-	C	
SP124/D	WASHER, 10-32 UNF	56	-	C	
SP122/E	WASHER, 1/4 in. BSF	10	-	C	
SP122/J	WASHER, 3/8 in. BSF	6	-	C	
SP107/L	WASHER, 7/16 in. BSF	4	-	C	
30A/9437135	WIRE, mesh	AR	DTD189 x 22 swg	C	
	CAMERA, SYSTEM IIIB INSTALLATION (Mod 5295) (EB8.84.701)	-		-	
	Spares for:				
EB8.84.727/C	ANGLE	1	-	C	
	Attachment of angle to rear bulkhead				
SP80/506	Rivet, snaphd, 5/32 in dia	QR	-	C	
EB8.84.701/BE	ANGLE	1	L72	C	
EB8.84.701/BW	ANGLE	1	L72	C	
	Attachment of angle to structure				
A25/2C	Bolt, hex. hd, 2BA	3	-	C	
AGS2007/C1	NUT, anchor 2BA	3	-	C	
SP71/304	Rivet Csk hd, 3/32 in dia	QR	-	C	
SP15/C	Washer	3	-	C	
	BEAM, main support (EB8.84.495) (EB8.84.496)	1	-	P	
	Spares for:				
EB8.84.495/B	ANGLE	2	DS49/CM L65	C	
EB8.84.496/B	ANGLE	2	DS49/CM L65	C	
	Attachment of angles to webs				
SP80/506	Rivet, snap hd., 5/32 in dia	QR	-	C	
EB8.84.737	BLOCK, housing	2	-	C	
	Attachment of housing blocks to beams				
A25/12C	Bolt, hex. hd., 2BA	12	-	C	
AGS2001/C1	Nut, stiff, 2BA	12	-	C	
SP15/C	Washer	12	-	C	

EQUIPMENT  
CAMERA

Part No.	Description	No. off	Material Specification	Class of Eqpt M.R. or L.M.	Plate
EB8.84.735	FITTING, end	2	-	C	
EB8.84.736	FITTING, end	2	-	C	
	Attachment of end fittings to beams				
A25/13C	Bolt, hex hd, 2BA	20	-	C	
A25/26E	Bolt, hex hd., 1/4in BSF	4	-	C	
AGS2001/C1	Nut, stiff, 2BA	20	-	C	
AGS2001/E1	Nut, stiff, 1/4 in BSF	4	-	C	
SP15/C	Washer	20	-	C	
SP15/E	Washer	4	-	C	
EB8.84.1123/A	LABEL, forward	2	-	C	
EB8.84.1123/B	LABEL, port	1	-	C	
EB8.84.1123/C	LABEL, stbd	1	-	C	
EB8.84.495/C	PAD, bearing, top	2	L73	C	
	Attachment of bearing pad to beam				
SP80/507	Rivet, snap hd, 5/32 in dia.	QR	-	C	
AGS2050/530BS	Rivet, tucker pop	QR	-	C	
EB8.84.495/D	PAD, bearing, bottom	2	L73	C	
	Attachment of bearing pad to beam				
SP80/507	Rivet snap hd, 5/32 in dia.	QR	-	C	
AGS2050/530BS	Rivet, tucker pop	QR	-	C	
EB8.84.495/G	PLATE, anti-rotation	2	L73	C	
	Attachment of anti-rotation plates to beams				
A25/12C	Bolt, hex hd, 2BA	4	-	C	
AGS2001/C1	Nut stiff, 2BA	4	-	C	
SP15/C	Washer	4	-	C	
EB8.84.749	POST, centre	2	-	C	
	Attachment of centre posts to beams				
A29/NS	Nut, slotted 1/2 in BSF	2	-	C	
SP90/E9	Pin, split	2	-	C	
SP16/N	Washer	2	-	C	
A27/GT	NUT, thin 5/16 in. BSF	2	-	C	
EB8.84.441	PIN, locating	2	-	C	
GKN LTD					
2060	SCREW, set 1-1/2 ins. long, 5/16 in. BSF	2	-	C	
EB8.84.495/E	SKIN, top	2	L73	C	
EB8.84.495/F	SKIN, bottom	2	L73	C	
	Attachment of top and bottom skins to webs				
SP80/506	Rivet, snap hd., 5/32 in. dia.	QR	-	C	
EB8.84.495/A	WEB	2	-	C	

R  
R

R

R  
R

EQUIPMENT  
CAMERA

Part No.	Description	No. off	Material Specification	Class of Eqpt M.R. or L.M.	Plate
EB8.84.496/A	WEB	2	-	C	
EB8.84.1117	WEIGHT, compensating	12	-	C	
EB8.84.1119	WEIGHT, compensating	8	-	C	
EB8.84.1121	WEIGHT, compensating	4	-	C	
AGS1129/B	BODY, banjo	1	-	C	
AGS1131/A	BODY, banjo	1	-	C	
AGS1145/A	BODY, union	1	-	C	
AGS1145/B	BODY, union	1	-	C	
EB8.84.701/BK	BODY, union, cone (Make from AGS1111/D)	1	-	C	
AGS1135/B	BOLT, banjo	1	-	C	
AGS1136/A	BOLT, banjo	1	-	C	
EB8.84.701/AH	BRACKET, support	1	L72.18 SWG	C	
	Attachment of bracket to frame 3				
A25/2C	Bolt, 2BA	2	-	C	
AGS2002/C1	Nut, stiff, 2BA	2	-	C	
SP15/C	Washer	2	-	C	
V3174	CHAIN	1	-	C	
EB8.84.701/AS	CHANNEL, left hand	1	L72.18 SWG	C	
EB8.84.701/AT	CHANNEL, right hand	1	L72.18 SWG	C	
EB8.84.701/B0	CLIP, duct, forward	1	-	C	
EB8.84.701/BD	CLIP, duct, aft	1	-	C	
SP91/C	CLIP, hose	2	-	C	
SP91/H	CLIP, hose	2	-	C	
SP91/N	CLIP, hose	2	-	C	
AS4525/10	CLIP, pipe	1	-	C	
AS4525/4	CLIP, pipe	19	-	C	
AS4525/12	CLIP, pipe	2	-	C	
AS4525/8	CLIP, pipe	1	-	C	
EB8.84.701/BP	CLIP "P"	1	L72.18 SWG	C	
EB8.84.701/S	CLIP, support	10	L72.18 SWG	C	
AGS952/B	COLLAR	36	-	C	
AGS952/A	COLLAR	10	-	C	
AGS952/D	COLLAR	2	-	C	
AGS952/C	COLLAR	3	-	C	
AGS1143/B	CONE, plug	1	-	C	
AGS1236/D	CONE, cap	1	-	C	
AGS1236/B	CONE, CAP	1	-	C	
	COOLING, Nitrogen, provision (EB8.84.1069)	-	-	-	
	COOLING, Capsule, Installation (EB8.84.1113)	-	-	-	
EB8.84.1113/B	ANGLE, mounting	1	L72.18 SWG	C	
	Attachment of angle to fairing				
SP80/304	Rivet, 5/32 in dia	8	-	C	
EB8.84.829	BAG, stowage	1	-	C	
	Attachment of bag to structure				
A25/1C	Bolt, hex hd, 2BA	3	-	C	
AGS2002/C1	Nut, stiff, 2BA	3	-	C	
SP15/C	Washer	3	-	C	
AS4525/4	CLIP, pipe	2	-	C	

R

R

R

R

R

EQUIPMENT  
CAMERA

Part No.	Description	No. off	Material Specification	Class of Eqpt M.R. or L.M.	Plate
AS4525/8	CLIP, pipe	3	-	C	
A25/2C	Attachment of clips to structure	5	-	C	
AGS2002/C1	Bolt, hex hd, 2BA	5	-	C	
SP15/C	Nut, stiff, 2BA	5	-	C	
	Washer	5	-	C	

R

EQUIPMENT  
CAMERA

Part No.	Description	No. off	Material Specification	Class of Eqpt M.R. or L.M.	Plate
	COOLING Equipment, Forward Bulkhead, Mounting (EB8.84.1109)  Spares for:	-	-	-	

R

EQUIPMENT  
CAMERA

Part No.	Description	No. off	Material Specification	Class of Egpt M.R. or L.M.	Plate	
						1
	COOLING EQUIPMENT, Rear Bulkhead, Mounting (EB8.84.1111)	-	-	-		R
	Spares for:					
EB8.84.1111/V	BRACKET, extension	1	L72.16SWG	C		
EB8.84.1111/Y	BRACKET, Support	1	L72.18SWG	C		
AGS1104/B	COUPLING, pipe	3	-	C		
AGS1107/M	COUPLING	1	-	C		
EB8.84.1110	FILTER, micro, mounting	1	-	C		
AGS1114/B	FITTING, bulkhead	2	-	C		
	Attachment of fitting to bracket					
SP71/	Rivet, csk hd	QR	-	C		
EB8.84.1112	LABEL	1	-	C		
EB8.84.1073	LABEL	2	-	C		
EB8.84.1111/AA	MOUNTING, ZED (upper)	1	L72.16SWG	C		
EB8.84.1111/BB	MOUNTING, ZED (lower)	1	L72.16SWG	C		
	Attachment of mountings to rear bulkhead					
SP80/304	Rivet, snap hd	QR	-	C		R
EB8.84.1111/DD	PACKING	2	L72.14SWG	C		
AGS1120/8	PIECE, tee (unequal cone)	1	-	C		
AGS1118/B	PIECE, tee	1	-	C		
EB8.84.1111/N	PIPE ASSY	1	-	C		
EB8.84.1111/P	PIPE ASSY	1	-	C		
EB8.84.1111/S	PIPE ASSY	1	-	C		
EB8.84.1111/T	PIPE ASSY	1	-	C		
EB8.84.1111/U	PIPE ASSY	1	-	C		
GD2014/B						
AGS3831	SEAL, bonding (alternative to washer, jointing AGS1138/B)	5	-	C		
EB8.84.1111/CC	SECTION, top hat	1	L72 16SWG 16SWG	C		
	Attachment of section to zed members					
A25/1C	Bolt, hex hd, 2BA.	4	-	C		
EB8.84.1111/W	STRUT, support	1	DTD5016	C		
	Attachment of strut to support bracket					
A25/1C	Bolt, hex hd, 2BA	1	-	C		
AGS2001/C1	Nut, stiff, 2BA	1	-	C		
SP10/C	Washer	1	-	C		R
4GD/6429802	VALVE, emergency selector	1	-	P		
A190 MK2	VALVE, nitrogen charging	1	-	-		
AGS1138/B	WASHER, jointing (alternative to seal bonding AGS3831)	5	-	C		

EQUIPMENT  
CAMERA

Part No.	Description	No. off	Material Specification	Class of Eqpt M.R. or L.M.	Plate
	CYLINDER, Nitrogen, Installation (EB8.84.705)	-	-	-	R
EB8.84.719	ANGLE reinforcing	2	-	C	
EB8.84.721	ANGLE reinforcing	4	-	C	
EB8.84.723	ANGLE, support	2	-	C	
EB8.84.724	ANGLE, support	2	-	C	
	Attachment of angles to rear bulkhead				
SP80/304	Rivet, 5/32 in dia	QR	-	C	R
EB8.84.705/4	BOLT, clamping (make from AS1246/25/E)	2	-	C	
EB8.84.707	BRACKET, cradle	2	-	C	
EB8.84.708	BRACKET, cradle	2	-	C	
	Attachment of brackets to angles and rear bulkhead				
A25/3C	Bolt, hex hd 2BA	12	-	C	
AGS2001/C1	Nut, stiff, 2BA	12	-	C	R
SP80/304	Rivet, 5/32 in dia	QR	-	C	R
SP15/C	Washer	12	-	C	
EB8.84.705/C	PLATE, closing	2	L72 18SWG	C	
	Attachment of closing plate to cradle brackets				
SP71/ AS2372/28.5 in	Rivet, csk, 1/8 in dia	QR	-	C	
	STRAP ASSY	2	-	C	
	Attachment of strap assy to cradle brackets				
SP80/304	Rivet 1/8 in dia.	QR	-	C	R
EB8.84.705/B	STRIP, rubber	2	DTD5509 Grade D	C	
AS2384	TRUNNION	2	-	C	
AS2390	TRUNNION	2	-	C	
EB8.84.437	CYLINDER, nitrogen	1	-	P	
EB8.84.945	DUCT, air	1	-	C	
EB8.84.701/AX	DUCT, flexflyte	1	-	C	
	Attachment of ducts to frames 3 and 4 and fan outlet				
A25/2C	Bolt, hex hd. 2BA	4	-	C	
SP91/N	Clip, hose	2	-	C	
EB8.84.701/BC	Clip, duct, forward	1	L72.18SWG	C	
EB8.84.701/BD	Clip, duct, aft	1	-	C	
AGS2007/C1	Nut, anchor, 2BA	4	-	C	
SP71/304	Rivet, csk hd, 3/32 in dia	QR	-	C	R
SP80/405	Rivet, mush hd, 1/8 in. dia.	QR	-	C	
SP15/C	Washer	4	-	C	
EB8.84.715	FLANGE, mounting	2	-	C	
EB8.84.717XB	FLANGE, mounting	2	-	C	

Part No.	Description	No. off	Material Specification	Class of Eqpt M.R. or L.M.	Plate
	Attachment of flanges to rear bulkhead				
A25/2C	Bolt, hex hd, 2BA	6	-	C	
AGS2002/C1	Nut, stiff, 2BA	6	-	C	
AGS1115/6	PLATE, washer	1	-	C	
EB8.84.857	FUNNEL, for valve	2	-	C	
ST72	GAUGE, pressure	1	-	P	
	Attachment of pressure gauge to mounting plate				
A25/5B	Bolt, hex.hd 4BA	2	-	C	
SP15/B	Washer	2	-	C	
Dunlop					
G4/N14/401/8/10/	HOSE, flexible	1	-	C	
EEAS257-3/16	IDENT	5	-	C	
EEAS257-1/4	IDENT	17	-	C	
EEAS257-3/8	IDENT	2	-	C	
Hymatic					
SAS395/001	MANIFOLD	1	-	P	
EB8.84.701/AW	MOUNTING, zed	1	L72.18SWG	C	
AGS1142/A	NIPPLE, adaptor	4	-	C	
AGS1142/C	NIPPLE, adaptor	1	-	C	
	PANEL, ASSY (EB8.84.899)				
	Attachment of panel assy to rear bulkhead				
A25/7C	Bolt hex hd 2BA	4	-	C	
AGS1186/C	Nut, anchor 2BA	4	-	C	
SP71/304	Rivet, csk hd 3/32 in dia	QR	-	C	
SP15/C	Washer	4	-	C	
EB8.84.899/F	ANGLE, mounting	1	-	C	
	Attachment of angle to panel				
EB8.84.899/D	Block, mounting	1	Tufnol LFS21	C	
A25/5C	Bolt, hex hd 2BA	2	-	C	
AGS2001/C1	Nut, stiff, 2BA	2	-	C	
SP15/C	Washer	2	-	C	
WB/UN/1146/S3	BLOCK, terminal	1	-	C	
	Attachment of terminal block to panel				
WB/UN/1114/28	Pillar, fixing	2	-	C	
AS8600B	Nut, stiff, 6-32 UNC	2	-	C	
SP124/B	Washer	2	-	C	
EB8.84.897	BRACKET, fan mounting	2	-	C	
	Attachment of bracket to panel				
A25/5E	Bolt, hex hd, 1/4 in BSF	2	-	C	
A25/12E	Bolt, hex hd, 1/4 in BSF	2	-	C	
AGS2001/E1	Nut, stiff, 1/4 in BSF	4	-	C	

EQUIPMENT  
CAMERA

Part No.	Description	No. off	Material Specification	Class of Eqpt M.R. or L.M.	Plate
SP15/E S110.4.103	Washer BULB, temperature	4 1	- -	C P	
	Attachment of temperature bulb to mounting angle				
EB8.84.793 A25/2B AGS2001/B1 SP15/B H.O.T.02	Coupling, pipe Bolt, hex hd, 4BA Nut, stiff Washer CONTROLLER, temperature	1 3 3 3 1	- - - - -	C C C C -	R R
	Attachment of temperature controller to panel				
A25/5C AGS2001/C1 SP15/C WB/UN/1110/B/3 2PL/81/242	Bolt, hex hd 2BA Nut, stiff, 2BA Washer COVER, terminal block FAN, axial flow	4 4 4 1 2	- - - - -	C C C C P	R
	Attachment of fan to mounting bracket				
A25/3E AGS2001/E1 SP15/E EB8.84.899/G EB8.84.899/A	Bolt, hex. hd, 1/4 in BSF Nut, stiff, 1/4 in. BSF Washer GUARD, fan PANEL	4 4 4 2 1	- - - L72.20SWG Tufnol LFS21	C C C C C	R R R
	PANEL, system, assy (EB8.84.703)	-	-	-	R
	Spares for:				
AGS952/B AGS1123/B APC08081401 EEAS257-1/4 AGS1142/B EB8.84.709 EB8.84.703/A EB8.84.703/B EB8.84.703/C EB8.84.703/D	COLLAR CONE, 4-way CONNECTOR IDENT NIPPLE, adaptor PANEL, Systems mounting PIPE PIPE PIPE PIPE	10 10 1 1 4 1 1 1 1 1	- - - - - - DTD5019 DTD 5019 DTD 5019 DTD 5019	C C C C C C C C C	R
	Attachment of pipe to panel				
A25/1C AS4525/4 AGS2002/C1 SP15/C EB8.84.703/E AGS1186/B AGS2111 PAS220-030	Bolt, hex. hd, 2BA Clip, support Nut, stiff 2BA Washer PIPE SEAL SLEEVE, outer VALVE, reducing	1 1 1 1 1 1 10 1	- - - - DTD5019 - - -	C C C C C C C P	R R
	Attachment of valve to panel				
AGS2002/B1	Nut, stiff, 4BA	2	-	C	R



EQUIPMENT  
CAMERA

Part No.	Description	No. off	Material Specification	Class of Eqpt M.R. or L.M.	Plate
AGS2002/C1	Nut, stiff, 2BA	2	-	C	
SP15/C	Washer	2	-	C	
EB8.84.701/AC	PLATE	4	L71	C	
EB8.84.701/AV	PLATE, adaptor	1	L72	C	
	PLATE, Baffle, Installation, Capsule Windows (EB8.84.1055/6)	-	-	-	
	Spares for:				
EB8.84.1055/C	ANGLE, attachment	4	L72	C	
	Attachment of angles to upper and lower baffle plates				
SP80/304	Rivet, snap head, 1/8 in. dia.	QR	-	C	
EB8.84.1055/E	PLATE, baffle, upper	2	L72	C	
EB8.84.1055/G	PLATE, baffle, lower	2	L72	C	
EB8.84.1055/D	PLATE, tie, port	1	L72	C	
EB8.84.1056/B	PLATE, tie, stbd	1	L72	C	
	Attachment of tie plates to structure and heating mat mounting tubes				
A25/1B	Bolt, hex. hd, 4BA	4	-	C	
A25/1C	Bolt, hex. hd., 2BA	2	-	C	
AGS2001/B1	Nut, stiff, 4BA	4	-	C	
AGS2001/C1	Nut, stiff, 2BA	2	-	C	
SP15/B	Washer	4	-	C	
SP15/C	Washer	2	-	C	
EB8.84.701/BG	PLATE, lipped	1	L72	C	
EB8.84.701/AR	PLATE, mounting	1	L72	C	
	Attachment of mounting plate to rear bulkhead				
SP80/506	Rivet, snap hd, 5/32 in. dia.	3	-	C	
EB8.84.701/AU	PLATE, mounting	1	L72	C	
EB8.84.1079	PLATE, mounting	1	-	C	
EB8.84.731	PLATFORM, mounting	2	-	C	
	Attachment of platform to structure				
SP80/506	Rivet, snap hd, 5/32 in. dia.	4	-	C	
Hymatic RAM104-005	RAM, pneumatic	2	-	P	
	Attachment of ram to structure				
A25/5E	Bolt, hex, hd, 1/4 in. BSF	1	-	C	
A27/ES	Nut, slotted, 1/4 in. BSF	1	-	C	
SP90/C7	Pin, split	1	-	C	
SP15/E	Washer	1	-	C	
Hymatic FAR210-001	RESISTOR, flow	4	-	P	

Part No.	Description	No. off	Material Specification	Class of Eqpt. M.R. or L.M.	Plate
Attachment of flow resistors to mounting plate					
A25/9C	Bolt, hex, hd, 2BA	8	-	C	
SP15/C	Washer	8	-	C	
AGS1186/A	SEAL	4	-	C	
AGS1186/B	SEAL	10	-	C	
AGS1186/C	SEAL	1	-	C	
AGS1186/D	SEAL	3	-	C	
AGS1186/G	SEAL	2	-	C	
EB8.84.701/AB	SHEET, rubber	4	-	C	
EB8.84.871	SLEEVE, relief valve	2	-	C	
AGS2111	SLEEVE, outer	39	-	C	
AGS904/A	SLEEVE, outer	10	-	C	
AGS904/C	SLEEVE, outer	3	-	C	
AGS904/D	SLEEVE, outer	3	-	C	
EB8.84.701/BO	SPACER	1	DTD5016	C	
EB8.84.701/AJ	STOWAGE, plug (Make from AGS1112/B)	1	-	C	
EB8.84.701/BJ	STOWAGE, plug (Make from AGS1111/D)	1	-	C	
Attachment of stowage to structure					
A25/2C	Bolt, hex. hd., 2BA	2	-	C	
AGS2001/C1	Nut, stiff, 2BA	2	-	C	
SP15/C	Washer	2	-	C	
Thermal Controls TP30191	SWITCH, pressure	1	-	P	
Thermal Controls TP30195	SWITCH, pressure	1	-	P	
Thermal Controls TP30196	SWITCH, pressure	1	-	P	
Attachment of pressure switches to mounting plate					
AGS2001/C1	Nut, stiff, 2BA	3	-	C	
SP15/C	Washer	3	-	C	
EB8.84.701/T	TAB, retaining	2	L72	C	
AGS1118/B	TEE	2	-	C	
Electro Mechanms PVR5	TRANSDUCER	1	-	P	
Attachment of transducer to frame 3					
AGS1142/A	Nipple	2	-	C	
A32/B12	Screw, round hd., 4BA	2	-	C	
SP47/B	Washer, spring	2	-	C	
EB8.84.701/V	TUBE	1	DTD625	C	
AGS1105/B	UNION	8	-	C	
EB8.84.701/AZ	UNION	1	L65	C	
EB8.84.701/BV	UNION (Make from AGS1107/E)	1	-	C	
EB8.84.701/BB	UNION, reducing (Make from AGS1107/A)	1	-	C	
Adams 164	VALVE, line, type BNA3	1	-	P	
Hymatic PAS129-122	VALVE, reducing	1	-	P	

R

R

EQUIPMENT  
CAMERA

Part No.	Description	No. off	Material Specification	Class of Eqpt M.R. or L.M.	Plate
	Attachment of valve to angle				
AGS2002/B1	Nut, stiff, 4BA	2	-	C	
SP15/B	Washer	2	-	C	
Hymatic					
RAV134-033	VALVE, relief	2	-	P	
Hymatic					
RAV134-032	VALVE, relief	2	-	P	
	WINDOW, Camera, Alterations to existing de-misting ducting (EB8.84.1127/8)	-	-	-	R
	Spares for:				
EB8.84.1127/A	ANGLE, sealing	1	L59	C	
EB8.84.1128/A	ANGLE, sealing	1	L59	C	
	WINDOW, Camera, De-misting Ducting Installation (EB8.84.1047/8) (EB8.84.1127/8)	-	-	-	R
	Spares for:				
EB8.84.1127/A	ANGLE, sealing	1	L59	C	
EB8.84.1128/A	ANGLE, sealing	1	L59	C	
EB8.84.1127/B	ANGLE, sealing	2	L59	C	
EB8.84.1127/C	ANGLE, sealing	1	L59	C	
EB8.84.1128/E	ANGLE, sealing	1	L59	C	
EB8.84.1127/D	ANGLE, sealing	2	L59	C	
	Attachment of sealing angles to structure				
AGS2050/3	Rivet, pop, monel, 3/32 in. dia.	QR	-	C	
EB8.84.1047/AM	ANGLE, attachment	1	L72	C	
EB8.84.1048/AM	ANGLE, attachment	1	L72	C	
EB8.84.1047/AK	ANGLE, attachment, profile	1	L72	C	
EB8.84.1048/AK	ANGLE, attachment, profile	1	L72	C	
	Attachment of angles, profile, to attachment lugs				
AS2230/3	Rivet, csk. hd., 3/32 in. dia.	QR	-	C	
EB8.84.1047/AA	BOX, deflector	1	L59	C	
	Attachment of deflector to duct				
AS1248/4/B	Bolt, mush. hd., 4BA	1	-	C	
AGS2002/B1	Nut, stiff, 4BA	1	-	C	
EB8.84.1047/AJ	Piece, distance	1	L65	C	R
AGS2050/424BS	Rivet, pop, monel, 1/8 in. dia.	QR	-	C	
SP15/B	Washer	1	-	C	
EB8.84.1048/AA	Box, deflector	1	L59	C	

EQUIPMENT  
CAMERA

Part No.	Description	No. off	Material Specification	Class of Eqpt M.R. or L.M.	Plate
	Attachment of deflector box to duct				
AS1248/4/B	Bolt, mush. hd., 4BA	1	-	C	
AGS2002/B1	Nut, stiff, 4BA	1	-	C	
EB8.84.1047/AJ	Piece, distance	1	L65	C	R
AGS2050/424BS	Rivet, pop, monel, 1/8 in. dia.	QR	-	C	
SP15/B	Washer	1	-	C	
EB8.84.1047/AB	Box, deflector	1	L59	C	
	Attachment of deflector box to duct				
AS1248/4/B	Bolt, mush. hd., 4BA	1	-	C	
AGS2002/B1	Nut, stiff, 4BA	1	-	C	
EB8.84.1047/AA	Piece, distance	1	L65	C	R
AGS2050/424BS	Rivet, pop, monel, 1/8 in. dia.	QR	-	C	
SP15/B	Washer	1	-	C	
EB8.84.1048/AB	BOX, deflector	1	L59	C	
	Attachment of deflector box to duct				
AS1248/4/B	Bolt, mush. hd., 4BA	1	-	C	
AGS2002/B1	Nut, stiff, 4BA	1	-	C	
EB8.84.1047/AA	Piece, distance	1	L65	C	R
AGS2050/424BS	Rivet, pop, monel, 1/8 in. dia.	QR	-	C	
SP15/B	Washer	1	-	C	
EB8.84.1047/AC	BOX, deflector	1	L59	C	
	Attachment of deflector box to duct				
AS1248/4/B	Bolt, mush. hd., 4BA	1	-	C	
AGS2002/B1	Nut, stiff, 4BA	1	-	C	
EB8.84.1047/AA	Piece, distance	1	L65	C	R
AGS2050/424BS	Rivet, pop, monel, 1/8 in. dia.	QR	-	C	
SP15/B	Washer	1	-	C	
EB8.84.1048/AC	BOX, deflector	1	L59	C	
	Attachment of deflector box to duct				
AS1248/4/B	Bolt, mush. hd., 4BA	1	-	C	
AGS2002/B1	Nut, stiff, 4BA	1	-	C	
EB8.84.1047/AA	Piece, distance	1	L65	C	R
AGS2050/424BS	Rivet, pop, monel, 1/8 in. dia.	QR	-	C	
SP15/B	Washer	1	-	C	
EB8.84.1047/AD	BOX, deflector	1	L59	C	
	Attachment of deflector box to duct				
AS1248/4/B	Bolt, mush. hd., 4BA	1	-	C	
AGS2002/B1	Nut, stiff, 4BA	1	-	C	
EB8.84.1047/AA	Piece, distance	1	L65	C	R
AGS2050/424BS	Rivet, pop, monel, 1/8 in. dia.	QR	-	C	
SP15/B	Washer	1	-	C	
EB8.84.1047/AD	BOX, deflector	1	L59	C	
	Attachment of deflector box to duct				
A25/1B	Bolt, hex. hd., 4BA	4	-	C	
AGS2002/B1	Nut, stiff, 4BA	4	-	C	
SP15/B	Washer, 4BA	4	-	C	
EB8.84.1047/M	BRACKET, bottom	2	L59	C	R

EQUIPMENT  
CAMERA

Part No.	Description	No. off	Material Specification	Class of Eqpt M.R. or L.M.	Plate
	Attachment of bracket to structure	2	L59	C	
A25/1C	Bolt, hex. hd., 2BA	10	-	C	
AGS2007/C1	Nut, double anchor, 2BA	10	-	C	
SP71/	Rivet, csk. hd., 3/32 in. dia.	20	-	C	
SP15/C	Washer	10	-	C	
EB8.84.1047/N	BRACKET, middle	2	L59	C	R
	Attachment of bracket to structure				
A25/1C	Bolt, hex. hd., 2BA	6	-	C	
AGS2007/C1	Nut, double anchor, 2BA	6	-	C	
SP71/	Rivet, csk. hd., 3/32 in. dia.	12	-	C	
SP15/C	Washer	6	-	C	
EB8.84.1047/P	BRACKET, top	2	L59	C	R
	Attachment of bracket to structure				
A25/1C	Bolt, hex. hd., 2BA	6	-	C	
AGS2007/C1	Nut, double anchor, 2BA	6	-	C	
SP71/	Rivet, csk. hd., 3/32 in. dia.	12	-	C	
SP15/C	Washer	6	-	C	
EB8.84.1047/V	BRACKET	1	L72	C	R
	Attachment of bracket to structure				
A25/2C	Bolt, hex. hd., 2BA	4	-	C	
AGS2001/C1	Nut, stiff, 2BA	4	-	C	
SP15/C	Washer	4	-	C	
EB8.84.1047/S	CAP, end	1	L69	C	R
	Attachment of end cap to duct				
SP91/L	Clip, jubilee	1	-	C	
EB8.84.1047/Q	DUCT, bottom	2	L59	C	
	Attachment of bottom ducts to bottom brackets and blower heaters				
A25/2C	Bolt, hex. hd., 2BA	16	-	C	
AGS2001/C1	Nut, stiff, 2BA	16	-	C	
SP15/C	Washer	16	-	C	
EB8.09.3011	DUCT, top	2	L59	C	R
	Attachment of top ducts to middle brackets and blower heaters				
A25/2C	Bolt, hex. hd., 2BA	16	-	C	
AGS2001/C1	Nut, stiff, 2BA	16	-	C	
SP15/C	Washer	16	-	C	
Flexflyte	DUCTING	2	-	C	R

EQUIPMENT  
CAMERA

Part No.	Description	No. off	Material Specification	Class of Eqpt M.R. or L.M.	Plate
	Attachment of ducting to structure and bottom ducts				
EB8.84.1047/U	Clip, hose	4	L72	C	
SP91/L	Clip, jubilee	2	-	C	
A25/1C	Bolt, hex. hd., 2BA	8	-	C	
AGS2001/C1	Nut, stiff, 2BA	8	-	C	
SP15/C	Washer	8	-	C	
EB8.84.1047/Y	DUCTING	1	L59	C	
EB8.84.1048/Y	DUCTING	1	L59	C	
EB8.84.1047/Z	DUCTING	1	L59	C	
EB8.84.1048/Z	DUCTING	1	L59	C	
Plannair					
3PL181-859H	HEATER, blower	1	-	P	
EB8.84.1047/AE	LUG, attachment	2	L72	C	
EB8.84.1047/AG	LUG, attachment	2	L72	C	
EB8.84.1047/AH	LUG, attachment	4	L72	C	
	Attachment of lugs to demisting duct				
AGS2050/435BS	Rivet, pop, monel, 1/8 in. dia.	QR	-	C	
EB8.84.1047/T	MESH	2	Aluminium	C	
EB8.84.1047/W	PLATE, gusset	4	L72	C	
EB8.84.1047/L	PLATE, protecting	1	L72	C	
Columbia					
D4600	RELAY, sealed	3	-	P	
	Attachment of relays to bracket				
A25/8B	Bolt, hex. hd., 4BA	9	-	C	
AGS2007/B1	Nut, anchor, 4BA	9	-	C	
SP80/304	Rivet, snap hd., 1/8 in. dia.	QR	-	C	

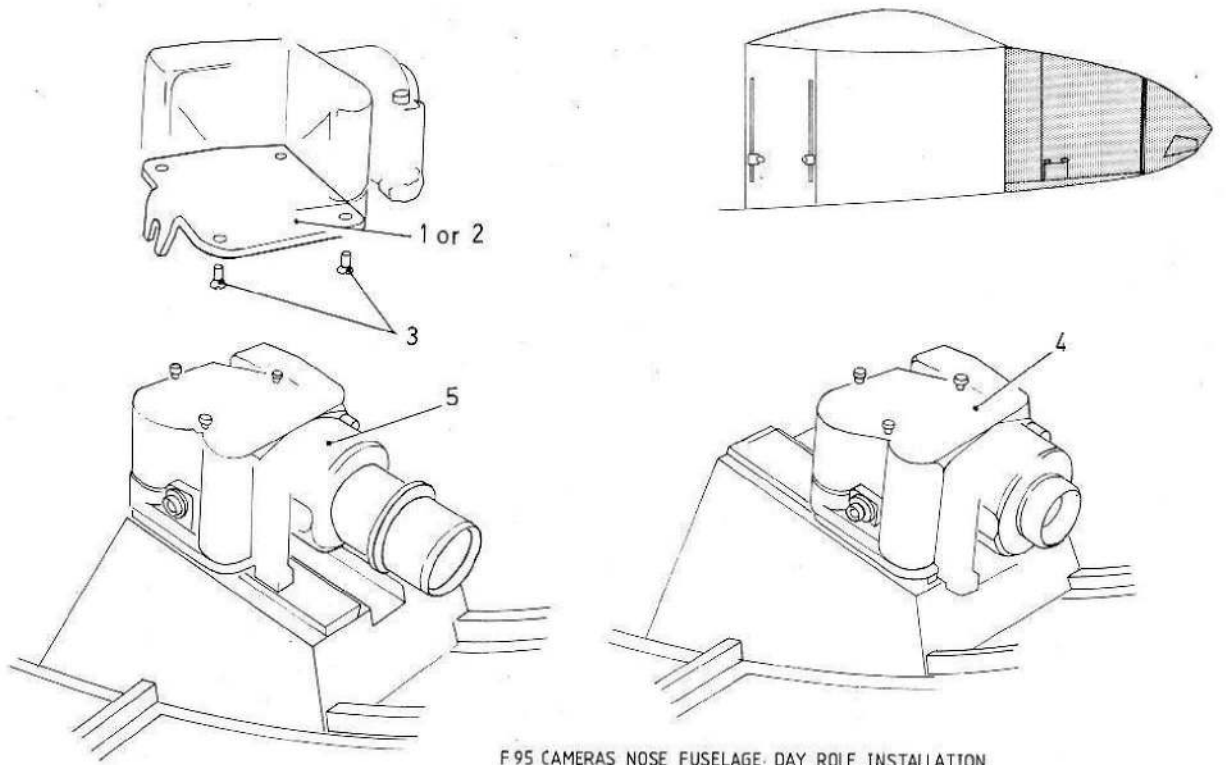
R

R

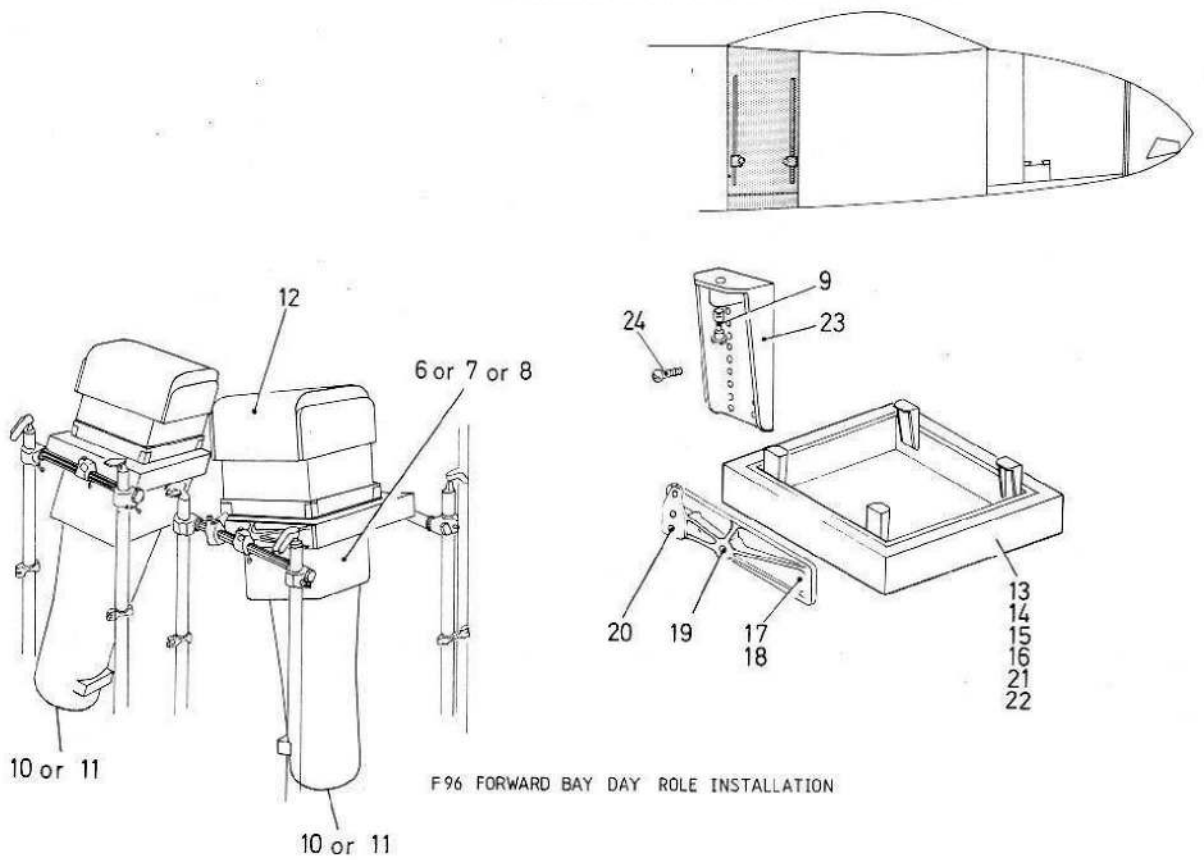
R

R

R

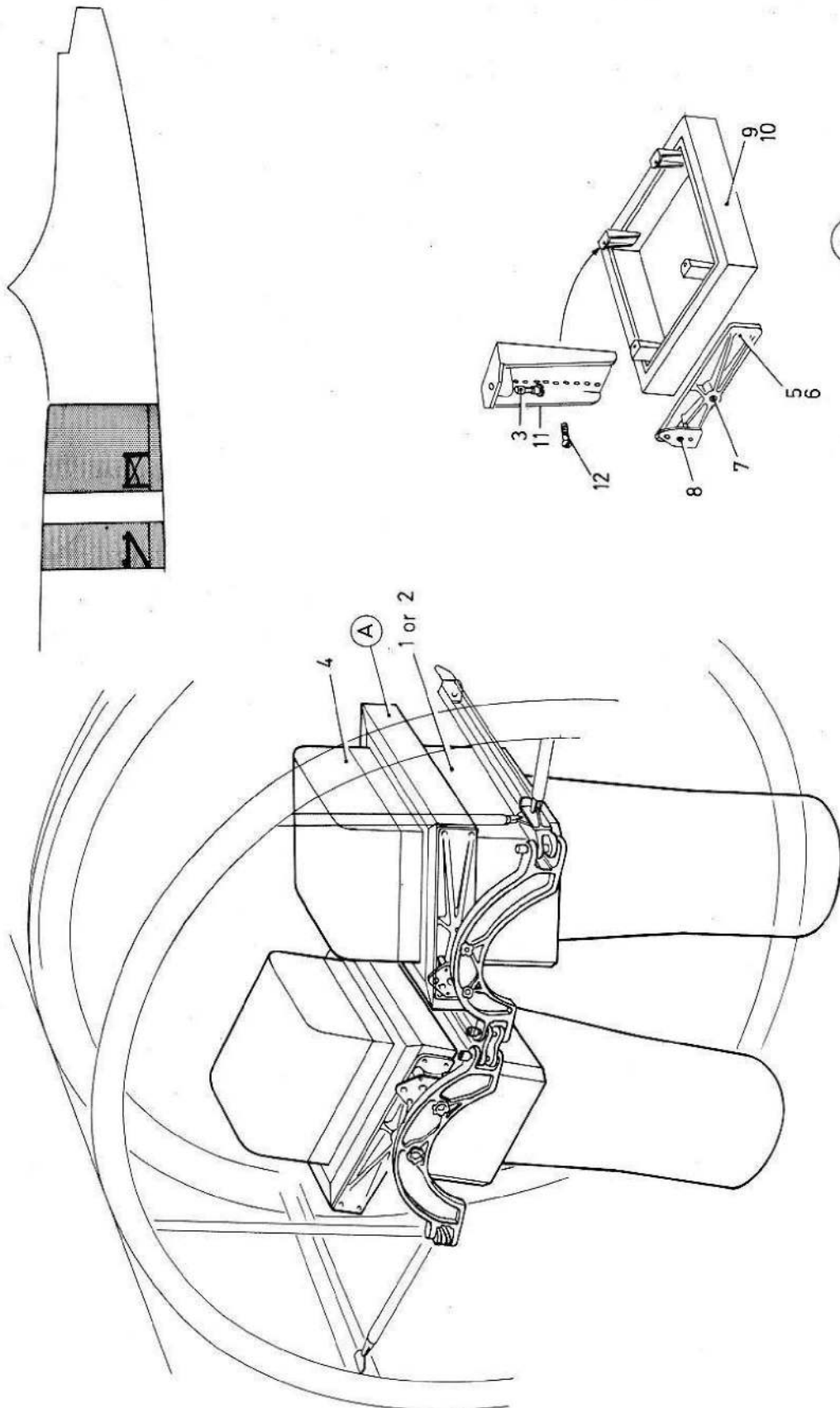


F95 CAMERAS NOSE FUSELAGE DAY ROLE INSTALLATION



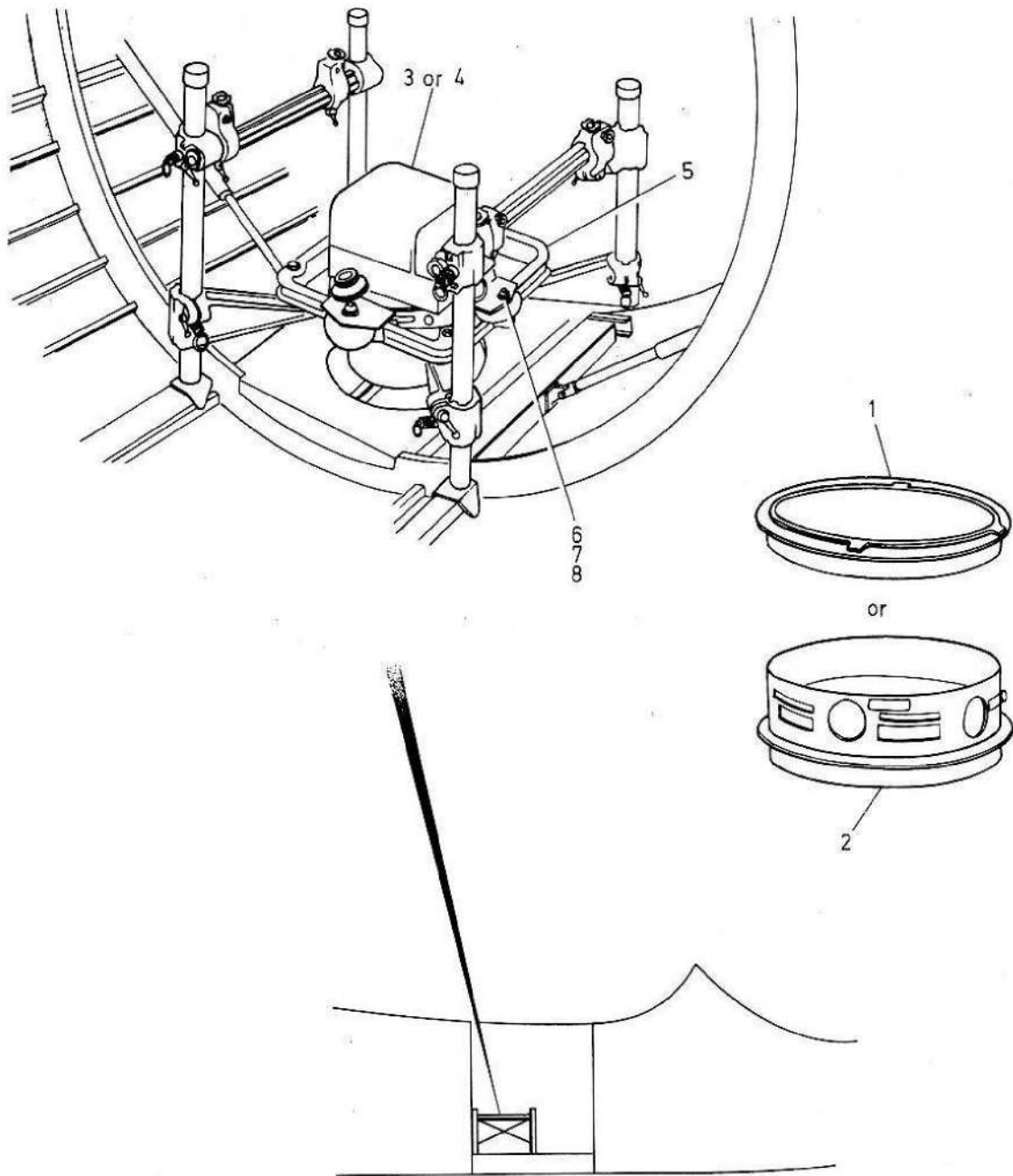
F96 FORWARD BAY DAY ROLE INSTALLATION

THIS PAGE IS INTENTIONALLY LEFT BLANK



F96. CAMERA. CENTRE BAY, DAY ROLE INSTALLATION.

F49 REAR BAY DAYS & SURVEY ROLE INSTALLATION



This file was downloaded  
from the RTFM Library.

Link: [www.scottbouch.com/rtfm](http://www.scottbouch.com/rtfm)

Please see site for usage terms,  
and more aircraft documents.

