

FUSELAGE  
CANOPY AND RELEASE MECHANISM

Part No.	Description	No. off	Material Specification	Class of Egmt M.R. or L.M.	Plate
	CANOPY, Pilot's, Assembly (EB8.00.221)	-	-	-	-
	Spares for:				
	ARM, Canopy Locating, Assembly (Mod 3105) (EB8.15.371)	-	-	-	-
	Spares for:				
EB8.15.395	BRACKET, strut stowage c/w spring clip	1	-	C	FA1/1
	Attachment of bracket to fuselage				
AGS2050/419BS	Rivet	2	-	C	FA1/2
EB8.15.375	BUSH, fork-end	1	S94	C	FA3/1
EB8.15.391	FORK-END, c/w spigot stop	1	-	C	FA3/2
	Attachment of fork-end and bush to windscreen hoop				
AS1242/20C	Bolt, csk. hd. 2BA	1	-	C	FA3/3
A27/CP	Nut, 2BA	1	-	C	FA3/4
EB8.15.389	Washer, locating	1	L73	C	FA3/5
EB8.15.377	STRUT, canopy retaining (Pre Mod 5010)	1	L65	C	FA1/3
EB8.15.405	STRUT, canopy retaining (Mod 5010)	1	L65	C	FA3/6
	Attachment of strut to fork-end				FA1/4 FA3/7
A25/8E	Bolt, in. BSF	1	-	C	FA3/8
A29/ES	Nut, slotted, 1/4 in. BSF	1	-	C	FA3/9
SP90/C8	Pin, split, 1/16 in. dia.	1	-	C	FA3/10
SP15/E	Washer	1	-	C	FA3/11
EB8.10.727	ARM, operating	1	DTD304	C	FA2/1
	Attachment of operating arm to hinge pin				
A25/12C	Bolt, 2BA	1	-	C	FA2/2
A27/CS	Nut, slotted, 2BA	1	-	C	FA2/3
SP90/C8	Pin, split, 1/16 in. dia.	1	-	C	FA2/4
SP13/C	Washer, 2BA	1	-	C	FA2/5
EB8.15.17	BOLT, hook	1	S95	C	FA3/12
	Attachment of hook bolt to canopy				
A27/NT	Nut, lock, 1/2 in. BSF	1	-	C	FA3/13
EB8.15.101	Pin, locating, 2BA	1	S95	C	FA3/14
SP15/N	Washer	1	-	C	FA3/15
EB8.11.915	BOX, Spring, Group	1	-	C	FA2/6
	Spares for:				
EB8.11.925	CAP, end	1	S92	C	FA2/7
	Attachment of cap end to spring box barrel				
A31/B6	Screw, locking, 4BA	2	-	C	FA2/8

FUSELAGE  
CANOPY AND RELEASE MECHANISM

Part No.	Description	No. off	Material Specification	Class of Eqpt M.R. or L.M.	Plate						
						1	2	3	4	5	6
EB8.11.929	PIECE, retaining	2	DTD5054	C	FA2/9						
EB8.11.933	SCREW, locking	1	DTD5054	C	FA2/10						
EB8.11.935	SCREW, spring adjustment	1	DTD683	C	FA2/11						
EB8.11.919	SPRING, outer	1	EN45	C	FA2/12						
	Attachment of spring box to mounting brackets and operating arm										
EB8.11.939	Bolt, hinge	2	S95	C	FA2/13						
AGS899/6	Collar, 5/16 in. dia	1	-	C	FA2/14						
SP4/Y/F19	Pin, 5/16 in. dia	1	-	C	FA2/15						
EB8.10.7593	BRACKET, locking pin, port	1	DTD304	C	FA2/16						
EB8.10.7594	BRACKET, locking pin, starboard	1	DTD304	C	FA2/17						R
	Attachment of bracket to hinge block										
A25/13C	Bolt, 2BA	2	-	C	FA2/18						
AS1242/4C	Bolt, csk. 2BA	2	-	C	FA2/19						
AGS2001/C1	Nut, stiff, 2BA	4	-	C	FA2/20						R
EB8.10.3553	CABLE & SPRING BOX, hinge breaking mechanism, group	1	-	C	FA1/5 FA3/16						
	Attachment of cable and spring box to torque tube and lever										
AGS899/1	Collar, 5/32 in. dia	1	-	C	FA2/21						
AGS899/2	Collar, 3/16 in. dia	1	-	C	FA3/17						
SP4/Y/A4	Pin, 5/32 in. dia	1	-	C	FA2/22						
SP4/Y/B17	Pin, 3/16 in. dia	1	-	C	FA3/18						
SP90/C6	Pin, split, 1/16 in. dia	2	-	C	FA2/23 FA3/19						
EB8.15.339	CANOPY, Pilots, Group (Mod 3329) (Pre Mod 5163 Issue 3)	1	-	P	FA1/6						
EB8.15.339x7	CANOPY, Pilots, Group (Mod 5163 Issue 3 Pre SA5561)	1	-	P	-						R
EB8.15.339x8	CANOPY, Pilots, Group, (Post SA5561)	1	-	P	FA1/7						R
EB8.00.457	CANOPY, Pilots, Group (Supplied to this Pt No for spares purposes)	1	-	P	-						R
	Spares for:										
EB8.15.149	BLOCK, jack thrust	1	DTD5054	C	-						
EB8.15.150	BLOCK, jack thrust	1	DTD5054	C	-						
EB8.15.35	BRACKET, yoke attachment, port	1	DTD5054	C/MR	FA1/8						
EB8.15.36	BRACKET, yoke attachment, starboard	1	DTD5054	C/MR	FA1/9						
	Attachment of bracket to yoke and edge members										
A25/7C	Bolt, 2BA	6	-	C	FA1/10						
AS1242/20C	Bolt, csk. 2BA	4	-	C	FA1/11						
A27/CP	Nut, 2BA	10	-	C	FA1/12						
SP15/C	Washer, 2BA	10	-	C	FA1/13						
EB8.15.379	BRACKET, strut retaining, group (Mod 3105)	1	-	C	FA2/24						
	Attachment of bracket to starboard latchbolt receiver No. 3										
A60/19E	Bolt, 1/4 in. BSF	2	-	C	FA2/25						

FUSELAGE  
CANOPY AND RELEASE MECHANISM

Part No.	Description 1 2 3 4 5 6	No. off	Material Specification	Class of Eqpt M.R. or L.M.	Plate
A24/EP	Nut, 1/4 in. BSF	2	-	C	FA2/26
EB8.15.401	Washer, taper	2	-		FA2/27
EA9.15.461	BUSH (Make from 32C/507)	140	-	C	
EB8.15.185	FILLET, canopy fairing, port	1	L72	C	
EB8.15.187	FILLET, canopy fairing, starboard	1	L72	C	
EB8.15.131	HANDLE, Canopy, Closing, Port, Assy	1	-	-	FA2/28
EB8.15.132	HANDLE, Canopy, Closing, Stbd, Assy	1	-	-	FA2/29
Spares for:					
EB8.15.135	BRACKET, mounting	1	L45	C	FA2/30
Attachment of mounting bracket to bottom edge member					
AS1242/18C	Bolt, csk, 2BA	3	-	C	FA2/31
A27/CP	Nut, 2BA	3	-	C	FA2/32
SP15/C	Washer, 2BA	3	-	C	FA2/33
EB8.15.137	CAM	1	L65	C	FA2/34
Attachment of cam to mounting bracket					
A25/12C	Bolt, 2BA	2	-	C	FA2/35
A27/CP	Nut, 2BA	2	-	C	FA2/36
SP13/C	Washer, 2BA	2	-	C	FA2/37
EB8.15.133	HANDLE, closing	1	L65	C	FA2/38
Attachment of handle to cam					
AGS899/2	Collar, 3/16 in. i/dia.	1	-	C	FA2/39
SP4/Y/B16	Pin, 3/16 in. dia.	1	-		FA2/40
SP90/C6	Pin, split, 1/16 in. dia.	1	-	C	FA2/41
EB8.10.2785	SPRING, compression	1	DTD215	C	FA2/42
EB8.15.111	TUBE, guide	1	s1	C	FA2/43
EB8.15.41	HINGE, Port, Group	1	-	C	FA1/14
EB8.15.42	HINGE, Starboard, Group	1	-	C	FA1/15
Consisting of:					
EB8.15.39	BRACKET, hinge, port only	1	S80	C	FA1/16
EB8.15.40	BRACKET, hinge, starboard only	1	S80	C	FA1/17
EB8.15.46	PAWL, port only	1	S80	C	FA1/18
EB8.15.45	PAWL, starboard only	1	S80	C	FA1/19
Attachment of pawl to bracket					
EB8.15.47	Pin	1	S80	C	FA1/20
EB8.15.303	Ring, flange	1	S80	C	FA1/21
EB8.15.59	PLUNGER, compression spring	1	S80	C	FA1/22
EB8.15.43	RETAINER, hinge	1	S80	C	FA1/23
Attachment of hinge retainer to bracket					
EB8.15.47	Pin	1	S80	C	FA1/24
EB8.15.303	Ring, flange	1	S80	C	FA1/25
EB8.15.53	PIN, spring anchor	1	S80	C	FA1/26
EB8.15.51	SPRING, tension	1	DTD215	C	FA1/27
EB8.15.55	SPRING, compression	1	DTD215	C	FA1/28

FUSELAGE  
CANOPY AND RELEASE MECHANISM

Part No.	Description	No. off	Material Specification	Class of Eqpt M.R. or L.M.	Plate
Attachment of hinge to canopy					
AS1242/2E	Bolt, csk. 1/4 in. BSF	1	-	C	FA1/29
AS1242/12E	Bolt, csk. 1/4 in. BSF	4	-	C	FA1/30
EB8.15.323	RECEIVER, latchbolt, No.1 port (Pre Mod 5163 Issue 3)	1	S97	C/MR	FA2/44
EB8.15.323x4	RECEIVER, latchbolt, No. 1 port (Mod 5163 Issue 3)	1			FA2/45
EB8.15.325	RECEIVER, latchbolt, No. 3 starboard (Pre Mod 5163 Issue 3)	1	S97	C/MR	FA2/46
EB8.15.325x7	RECEIVER, latchbolt, No 3 starboard (Mod 5163 Issue 3)	1			FA2/47
EB8.15.327	RECEIVER, latchbolt, No. 2 port (Pre Mod 5163 Issue 3)	1	S97	C/MR	FA2/48
EB8.15.327x6	RECEIVER, latchbolt, No. 2 port (Mod 5163 Issue 3)	1			FA2/49
EB8.15.329	RECEIVER, latchbolt, No 4 starboard (Pre Mod 5163 Issue 3)	1	S97	C/MR	FA2/50
EB8.15.329x5	RECEIVER, latchbolt, No 4 starboard (Mod 5163 Issue 3)	1			FA2/51
Attachment of latchbolt receivers to bottom edge members					
A60/17E	Bolt, 1/4 in BSF, receivers Nos 2 & 4 (Mod 3105)	4	-	C	FA2/52
A60/18E	Bolt, 1/4 in BSF, receiver No 1	2	-	C	FA2/53
AS1242/6C	Bolt, csk, 2BA, receivers Nos 1, 2, 3 & 4	4	-	C	FA2/54
A24/EP	Nut, 1/4 in BSF	8	-	C	FA2/55
EB8.15.79	Shim, receiver No 1	1	Lam Alum	C/MR	FA2/56
EB8.15.81	Shim, receiver No 3	1	Lam Alum	C/MR	FA2/57
EB8.15.95	Shim, receiver No 2 and 4	2	Lam Alum	C/MR	FA2/58
SP14/E	Washer	6	-	C	FA2/59
EB8.15.349	SEAL, inflatable (Mod 2920)	1	Rubber	C	-
OR					
EB8.15.407	SEAL, inflatable (SA5561)	1	Rubber B452LG	C	FA3/20
EB8.15.353	STRIP, seal retaining, centre front hoop member (Mod 2920)	1	L72	C	FA3/21
EB8.15.355	STRIP, seal retaining, port, front hoop member (Mod 2920)	1	L72	C	FA3/22
EB8.15.351	STRIP, seal retaining, starboard front hoop member (Mod 2920)	1	L72	C	FA3/23
EB8.15.359	STRIP, seal retaining, port between receiver brackets (Mod 2920)	1	L72	C	FA3/24
EB8.15.357	STRIP, seal retaining, starboard between receiver brackets (Mod 2920)	1	L72	C	FA3/25
EB8.15.363	STRIP, seal retaining, centre, rear canopy, fitting (Mod 2920)	1	L72	C	FA3/26
EB8.16.361	STRIP, seal retaining, port, rear canopy fitting (Mod 2920)	1	L72	C	FA3/27
EB8.15.365	STRIP, seal retaining, starboard, rear canopy fitting (Mod 2920)	1	L72	C	FA3/28
Attachment of seal and retaining strips to canopy					
AS3297/1C	Bolt, csk, 2BA	AR	-	C	FA3/29
AS3297/5C	Bolt, csk, 2BA	6	-	C	FA3/30
EB8.15.367	Bush, tapped 2BA, rear canopy strips (Mod 2920)	6	L65	C	FA3/31

R  
R

FUSELAGE  
CANOPY AND RELEASE MECHANISM

Part No.	Description	No. off	Material Specification	Class of Egpt M.R. or L.M.	Plate
EB8.15.369	Bush, rear canopy, strips (Mod 2920)	8	L65	C	FA3/32
AGS2001/C1	Nut, stiff, 2BA	6	-	C	FA3/33
SP16/C	Washer, 2BA	6	-	C	FA3/34
EB8.10.1279	COVER, canopy locking mechanism, port	1	L72	C	FA2/60
EB8.10.2679	COVER, canopy locking mechanism, starboard	1	L72	C	FA2/61
Attachment of cover to coaming structure					
AS1248/1/2C	Bolt, 2BA	8	-	C	FA2/62
EB8.10.7605	EYE-END, slotted	2	S1	C	FA2/63
EB8.11.983	FAIRING, removable, spring box (Supplied to Pt No EB8.00.453 for spares purposes)	1	L72	C	FA1/31
Attachment of fairing to fuselage					
EEAS1/1C	Screw, csk, 2BA	47	S96	C	FA1/32
EEAS1/1-1/2C	Screw, csk, 2BA	18	S96	C	FA1/33
EEAS1/2-1/2C	Screw, csk, 2BA	1	S96	C	FA1/34
4100	Screw, Pk No 6 x 5/8 in long	4	-	C	FA1/35
EB8.10.1315	FORK-END, LH, 2BA	2	DTD683	C	FA2/64
Attachment of fork-end to lever					
AGS899/2	Collar	1	-	C	FA2/65
SP4/Y/B6	Pin, 3/16 in dia	1	-	C	FA2/66
SP90/C6	Pin, split, 1/16 in. dia	1	-	C	FA2/67
	INDICATORS, Canopy Locking Pin Assembly (Pre Mod 5163 Issue 3) (EB8.10.3897)	-	-	-	
	INDICATORS, Canopy Locking Pin Assembly (Mod 5163 Issue 3) (EB8.10.8267)	-	-	-	
Spares for:					
EB8.10.3899	ARM, operating, forward indicator	2	L65	C	FA2/68
EB8.10.5059	ARM, operating, aft indicating, port only	1	L65	C	FA2/69
EB8.10.3901	ARM, operating, aft indicator, starboard only	1	L65	C	FA2/70
Attachment of operating arm to locking pin					
A25/19C	Bolt, 2BA	1	-	C	FA2/71
SP15/C	Washer, 2BA	1	-	C	FA2/72
AS1246/2B	BOLT, 4BA	32	-	C	
EB8.10.8273	COVER, indicator, forward pin, port only (Mod 5163 Issue 3)	1	-	C	
EB8.10.8270	COVER, indicator, forward pin, starboard only (Mod 5163 Issue 3)	1	-	C	
EB8.10.8271	COVER, indicator, aft pin, port only (Mod 5163 Issue 3)	1	-	C	
EB8.10.8268	COVER, indicator, aft pin, starboard only (Mod 5163 Issue 3)	1	-	C	

R

R

FUSELAGE  
CANOPY AND RELEASE MECHANISM

Part No.	Description	No. off	Material Specification	Class of Eqpt M.R. or L.M.	Plate
EB8.10.3913	GUIDE, indicator, forward pin, port only (Pre Mod 5136)	1	DTD339	C	FA2/73
EB8.10.3913x2	GUIDE, indicator, forward pin, port only (Pre Mod 5136 Pre Mod 5136 Issue 3)	1	DTD339	C	FA2/74
EB8.10.3903	GUIDE, indicator, forward pin, starboard only (Pre Mod 5136)	1	DTD339	C	FA2/75
EB8.10.3903x2	GUIDE, indicator, forward pin, starboard only (Mod 5136 Pre Mod 5163 Issue 3)	1	DTD339	C	FA2/76
EB8.10.3905	GUIDE, indicator, aft pin, port only (Pre Mod 5136)	1	DTD339	C	FA2/77
EB8.10.3905x2	GUIDE, indicator, aft pin, port only (Mod 5136 Pre Mod 5163 Issue 3)	1	DTD339	C	FA2/78
EB8.10.3917	GUIDE, indicator, aft pin, starboard only (Pre Mod 5136)	1	DTD339	C	FA2/79
EB8.10.3917x2	GUIDE, indicator, aft pin, starboard only (Mod 5136 Pre Mod 5163 Issue 3)	1	DTD339	C	FA2/80
	Attachment of indicator guide to canopy locking mechanism cover				
AGS2050/424BH	Rivet, "pop" domed, 1/8 in dia. (Pre Mod 5163 Issue 3)	AR	-	C	FA2/81
EB8.10.3911	INDICATOR, locking forward pin, stbd only (Pre Mod 5136)	1	L72	C	FA2/82
EB8.10.3911x2	INDICATOR, locking forward pin, stbd only (Mod 5136 Pre Mod 5163 Issue 3)	1	L72	C	FA2/83
EB8.10.8248	INDICATOR, locking forward pin, stbd only (Mod 5163 Issue 3)	1	L72	C	FA2/84
EB8.10.3909	INDICATOR, locking forward pin, port only (Pre Mod 5136)	1	L72	C	FA2/85
EB8.10.3909x2	INDICATOR, locking forward pin, port only (Mod 5136 Pre Mod 5163 Issue 3)	1	L72	C	FA2/86
EB8.10.8241	INDICATOR, locking forward pin, port only (Mod 5163 Issue 3)	1	L72	C	FA2/87
EB8.10.3907	INDICATOR, locking aft pin, port only (Pre Mod 5136)	1	L72	C	FA2/88
EB8.10.3907x2	INDICATOR, locking aft pin, port only (Mod 5136 Pre Mod 5163 Issue 3)	1	L72	C	FA2/89
EB8.10.8255	INDICATOR, locking aft pin, port only (Mod 5163 Issue 3)	1	L72	C	FA2/90
EB8.10.3915	INDICATOR, locking aft pin, stbd only (Pre Mod 5136)	1	L72	C	FA2/91
EB8.10.3915x2	INDICATOR, locking aft pin, stbd only (Mod 5136 Pre Mod 5163 Issue 3)	1	L72	C	FA2/92
EB8.10.8262	INDICATOR, locking aft pin, stbd only (Mod 5163 Issue 3)	1	L72	C	FA2/93
EB8.10.8250	PLATE, backing guide, indicator, fwd pin, stbd only (Mod 5163 Issue 3)	1	-	C	
EB8.10.8243	PLATE, backing guide, indicator, fwd pin, port only (Mod 5163 Issue 3)	1	-	C	

FUSELAGE  
CANOPY AND RELEASE MECHANISM

Part No.	Description	No. off	Material Specification	Class of Eqpt M.R. or L.M.	Plate
EB8.10.8257	PLATE, backing, guide indicator, aft pin, port only (Mod 5163 Issue 3)	1	-	C	
EB8.10.8264	PLATE, backing, guide indicator, aft pin, stbd only (Mod 5163 Issue 3)	1	-	C	
EB8.10.8266	PLATE, nut (Mod 5163 Issue 3)	28	-	C	
EB8.10.8265	PLATE, nut (Mod 5163 Issue 3)	2	-	C	
	Attachment of nut plates to locking pin indicators				
AS2230/305	Rivet, 3/32in (Mod 5163 Issue 3)	2	-	C	
EB8.10.729	PIN, 3/8 in. dia. canopy hook	1	S95	C	FA2/94
	Attachment of pin to operating arm				
AS161/318	Rivet, csk. hd. 3/2 in dia	1	-	C	FA2/95
EB8.10.731	PIN, hinge	1	S95	C	FA2/96
EB8.10.7607	ROD, screwed, 2BA	2	S95	C	FA2/97
	Attachment of rod to fork-end and eye-end	2	S95	C	
A27/CT	Nutlock, RH 2BA	1	-	C	FA2/98
A27/CTL	Nutlock, LH, 2BA	1	-	C	FA2/99
EB8.10.7603	SLIDE, spigot	2	S95	C	FA2/100
	Attachment of slide to eye-end				
AGS899/2	Collar	2	S95	C	FA2/101
SP4/Y/B6	Pin, 3/16 in. dia	1	-	C	FA2/102
SP90/C6	Pin, split 1/16 in. dia.	1	-	C	FA2/103
EB8.10.7595	SPIGOT, locking	2	S95	C	FA2/104
EB8.10.7601	SPRING, compression	2	DTD215	C	FA2/105
	Attachment of spring to spigot				
EB8.10.7597	Screwed-end spigot	1	S1	C	FA2/106
EB8.10.7599	Spacer .45 in long x 1/2 in o/d x 16 swg	1	L63	LM	FA2/107
	SWITCH, Actuator Energising Canopy Locking Port and Starboard Assembly (EB8.10.3883 and EB8.10.3885)	-	-	-	
	Spares for:				
EB8.10.3919	BOLT, striker 2BA	-	S96	C	FA3/35
	Attachment of striker bolt to trigger				
A27/CT	Nut, lock, 2BA	1	-	C	FA3/36
EB8.10.7451	COVER, access port	1	L73	C	FA3/37
EB8.10.3889	COVER, access starboard	1	L73	C	FA3/38
	Attachment of access covers				
A59/2C	Bolt, 2BA	14	-	C	FA3/39
SP15/C	Washer, 2BA	14	-	C	FA3/40

FUSELAGE  
CANOPY AND RELEASE MECHANISM

Part No.	Description	No. off	Material Specification	Class of Eqpt M.R. or L.M.	Plate						
						1	2	3	4	5	6
EB8.10.3893	PIN, pivot	1	S96	C	FA3/41						
	Attachment of pivot pin to frame 7E										
AGS2001/C1	Nut, stiff 2BA	1	-	C	FA3/42						
SP15/C	Washer, 2BA	1	-	C	FA3/43						
Dowty DN1322Z Mk.2 OR Dowty DN1322Z Mk.3	SWITCH, micro (Mod 4826)	1	-	C	FA3/44						R
	Attachment of micro switch to frame 7E										
A25/10B	Bolt, 4BA	2	-	C	FA3/45						
AGS2001/B1	Nut, stiff, 4BA	2	-	C	FA3/46						
EB8.10.3895	Packing, 3/8 in thick	1	LFS21	LM	FA3/47						
SP15/B	Washer, 4BA	2	-	C	FA3/48						
EB8.10.3891	TRIGGER, port only	1	L65	C	FA3/49						
EB8.10.3892	TRIGGER, starboard only	1	L65	C	FA3/50						
	Attachment of trigger to pivot pin										
AGS899/2	Collar, 3/16in dia	1	-	C	FA3/51						
SP90/C5	Pin, split, 1/16 in dia	1	-	C	FA3/52						
	MECHANISM, Pilots Canopy Release Assembly (EB8.70.1)	-	-	-							
	Spares for:										
Ermeto L7255	ADAPTOR, flanged "Y" assy	1	-	C	FA4/1						
	Attachment of adaptor to frame 8										
A25/2C	Bolt, 2BA	6	-	C	FA4/2						
AGS2001/C1	Nut, stiff 2BA	6	-	C	FA4/3						
EEAS20/1DR	Tab, locking	1	-	C	FA4/4						
SP13/C	Washer, 2BA	6	-	C	FA4/5						R
EB8.70.177/A	BLOCK, half (Mod 5142) (Make from ref SF/9400955)	2	-	LM							
	Attachment of support block to mounting bracket										
A25/8C	Bolt, 2BA, (Mod 5142)	4	-	C							
AGS2001/C1	Nut, stiff, 2BA (Mod 5142)	4	-	C							
SP15/C	Washer (Mod 5142)	4	-	C							
Ermeto M32011	BODY, union assy	2	-	C	FA4/6						
	Attachment of union body to sloping bulkhead or coaming										
A25/2C	Bolt, 2BA	6	-	C	FA4/7						
A25/4C	Bolt, 2BA	6	-	C	FA4/8						R
EB8.70.19	Disc, sealing	1	-	C	FA4/9						
AGS2001/C1	Nut, stiff 2BA	1	-	C	FA4/10						

FUSELAGE  
CANOPY AND RELEASE MECHANISM

Part No.	Description	No. off	Material Specification	Class of Eqpt M.R. or L.M.	Plate						
						1	2	3	4	5	6
EEAS20/1DR SP13/C EB8.70.183	Tab, locking	1	-	C	FA4/11 FA4/12						
	Washer	6	-	C							
	BRACKET, block mounting (Mod 5142) (Make from ref 30B/61128)	1	-	LM							
A25/1C AGS2001/C1 SP15/C SP80/508 Martin Baker MBCJ/100	Attachment of mounting block to Frame 6										
	Bolt, 2BA (Mod 5142)	2		C							
	Nut, stiff, 2BA (Mod 5142)	2		C							
	Washer, (Mod 5142)	2		C							
	Rivet, 5/32 in dia (Mod 5142)	6		C							
AS1242/20E AGS2001/E1 EEAS20/2ER EB8.70.151 EB8.70.107	BREECH and Time Delay Unit (For spares see AP4515S Vol 3)	1	-	L	FA1/36						R
	Attachment of breech and time delay unit to seat rail										
	Bolt, csk, 1/4 in BSF	3	-	C	FA1/37						
AGS899/2 SP4/Y/B5 SP90/C5 12K/1261 EB8.70.5	Nut, stiff, 1/4 in BSF	3	-	C	FA1/38						
	Washer, locking tab	1	-	C	FA1/39						
	CABLE, bowden group (Mod 3064)	1	-	C	FA1/40						
	CABLE, bowden group (Pre Mod 3064)	1	-	C							
	Attachment of cable to breech unit and lever on sloping bulkhead										
EB8.70.61	Collar, 3/16 in dia	2	-	C	FA4/13						
	Pin, 3/16 in dia	2	-	C	FA4/14						
	Pin, split, 1/16 in dia	2	-	C	FA4/15						
	CARTRIDGE, No 2 Mk 1	2	-	C	FA1/41						
	CONTROL, Canopy Jettison Group	1	-								
EB7.45.45	Spares for:										
	HANDLE, Group	1	-		FA4/16						
AS2230/405 EB8.70.65 EB7.45.39 EB8.70.67	Spares for:										
	BEARING	1	S92		FA4/17						
	Attachment of bearing to support										
EB7.45.41	Rivet, csk. head, 1/8 in dia.	4	-	C	FA4/18						
	FORK-END	1	L65		FA4/19						
	GUIDE, spring, top (Pre Mod 3064)	1	DTD610		FA4/20						
	GUIDE, spring, bottom (Pre Mod 3064)	1	L72		FA4/21						R
SP80/413 EB8.70.63 EB7.45.37 EB7.70.71	HANDLE	1	-		FA4/22						
	Attachment of handle to shaft										
	Rivet, 1/8 in. dia.	2	-	C	FA4/23						
	SHAFT	1	L65		FA4/24						
SP80/413	SPRING, compression (Pre Mod 3064)	1	DTD215	C	FA4/25						
	STOP (Pre Mod 3064)	1	L65		FA4/26						
	Attachment of stop to shaft										
	Rivet, 1/8 in. dia.	1	-	C	FA4/27						

FUSELAGE  
CANOPY AND RELEASE MECHANISM

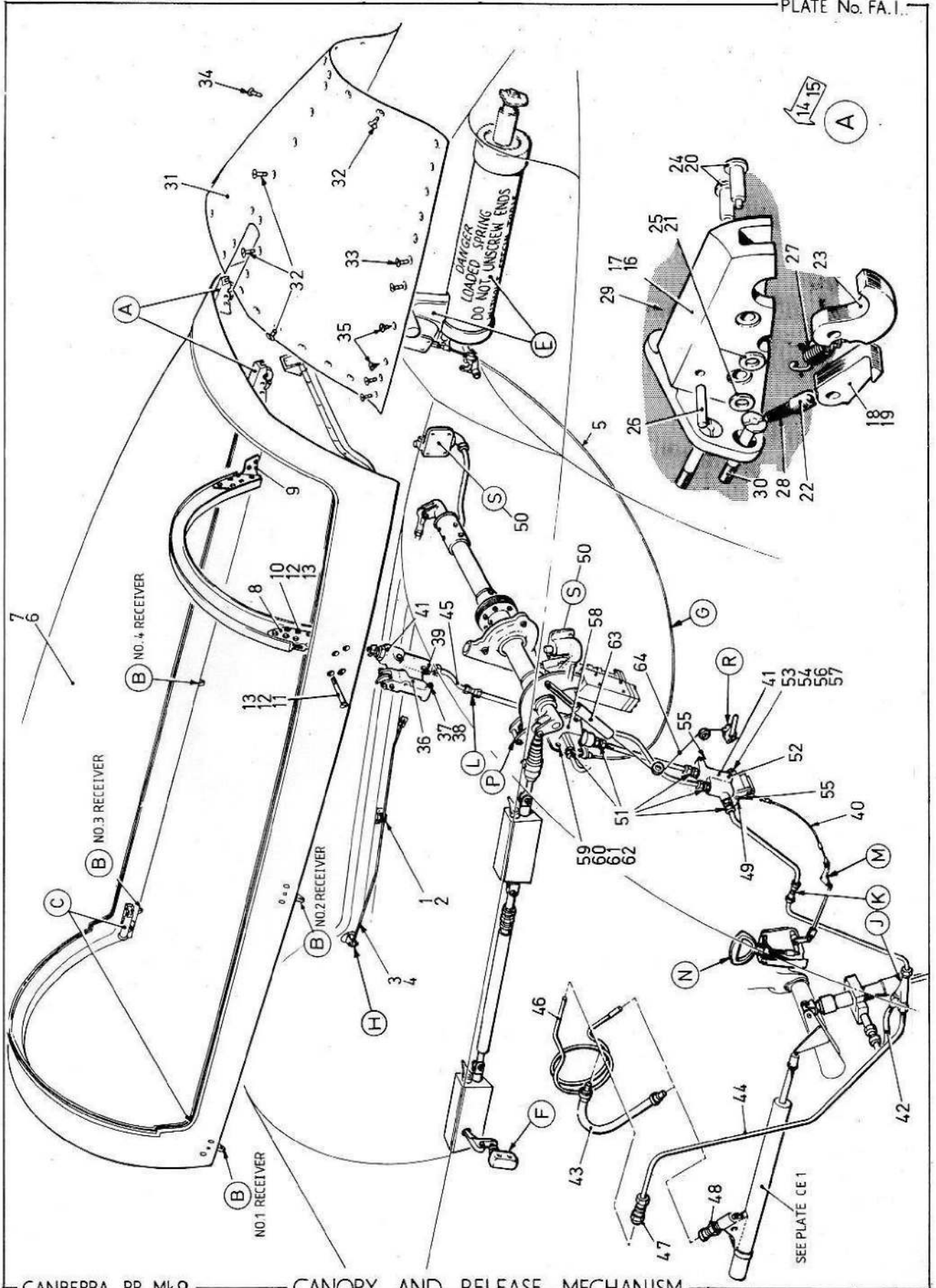
Part No.	Description	No. off	Material Specification	Class of Eqpt M.R. or L.M.	Plate
	Attachment of handle group to side plates and lever assembly				
AGS899/2	Collar	1	-	C	FA4/28
SP4/Y/B4	Pin, 3/16 in. dia.	1	-	C	FA4/29
SP90/C5	Pin, split, 1/16 in. dia.	1	-	C	FA4/30
AS2230/404	Rivet, csk, 1/8 in. dia.	3	-	C	FA4/31
EB8.70.57	LEVER, assy	1	DTD124		FA4/32
	Attachment of lever assy. to side plates				
EB8.70.59	Axle	1	S92		FA4/33
A27/CP	Nut, 2BA	1	-	C	FA4/34
AGS2001/C1	Nut, stiff, 2BA	1	-	C	FA4/35
SP15/C	Washer, 2BA	2	-	C	FA4/36
	Attachment of control group to console structure				
A25/1C	Bolt, 2BA	1	-	C	FA4/37
A25/16C	Bolt, 2BA	4	-	C	FA4/38
AGS2001/C1	Nut, stiff, 2BA	4	-	C	FA4/39
AS2300/125	Tube, distance	2	S3		FA4/40
AS2300/135	Tube, distance	1	S3		FA4/41
AS2300/140	Tube, distance	1	S3		FA4/42
SP13/C	Washer	5	-	C	FA4/43
EB8.70.181	CLEAT, (Mod 5142) (Make from ref 30B/9611220)	1	-	LM	
EB8.80.321	COVER, canopy jettison handle, group	1	-	C	FA4/44
	Attachment of cover to console structure				
A33/C16	Screw, 2BA	7	-	C	FA4/45
EB8.70.47	FITTING, end	1	L65	C	FA4/46
	Attachment of end fitting to links				
AGS899/2	Collar	1	-	C	FA4/47
SP4Y/B5	Pin, 3/16 in. dia	1	-	C	FA4/48
SP90/C5	Pin, split, 1/16 in dia	1	-	C	FA4/49
EB8.70.81	HOSE, flexible, frame 8 to elevator break strut, group	1	-	C	FA1/42
EB8.70.113	HOSE, flexible, frame 6 to snatch unit, group (Pre Mod 5142)	1	-	C	FA1/43
EB8.70.89	LEVER, operating, by-pass valve ram and spring box	1	S96	C/MR	FA4/50
	Attachment of lever to mounting				
A25/22E	Bolt, 1/4 in BSF	1	-	C	FA4/51
A27/ES	Nut, slotted, 1/4 in BSF	1	-	C	FA4/52
EB8.70.111	Piece, distance	1	L65	C	FA4/53
SP90/C8	Pin, split, 1/16 in dia	1	-	C	FA4/54
SP15/E	Washer	1	-	C	FA4/55
EB8.70.39	LEVER, operating, to breech unit	1	L65	C/MR	FA4/56

FUSELAGE  
CANOPY AND RELEASE MECHANISM

Part No.	Description	No. off	Material Specification	Class of Eqpt M.R. or L.M.	Plate										
						1	2	3	4	5	6				
	Attachment of lever to pivot on sloping bulkhead														
A27/CP	Nut, 2BA	1	-	C	FA4/57										
SP15/C	Washer, 2BA	1	-	C	FA4/58										
Martin Baker															
MBEU/72669	PIN, safety (Mod 5297)	1	-	-											
EB8.70.33	PIPE, frame 6 to frame 8	1	T55	C	FA1/44										
EB8.70.35	PIPE, breech and time delay, unit to union aft fr. 10	1	T55	C	FA1/45										
EB8.70.173	PIPE, assy (Mod 5142)	1	-	C	FA1/46										
	Attachment of pipe assy														
Ermeto															
C74-HC	Coupling (Mod 5142)	1	-	C	FA1/47										
Ermeto															
32-5	Nut (Mod 5142)	1	-	C											
Ermeto															
24-S	Nut (Mod 5142)	1	-	C											
Ermeto															
R32-HC	Ring, sealing (Mod 5142)	1	-	C	FA1/48										
OR Ermeto															
R32-FV	Ring, sealing (SA5370)	1	-	C											
Ermeto															
R24-HC	Ring, sealing (Mod 5142)	1	-	C											
OR Ermeto															
R24-FV	Ring, sealing (SA5370)	1	-	C											
EB8.70.179	PLATE, gusset (Mod 5142) (Make from ref 30B/9611220)	1	-	LM											
	Attachment of gusset plate to structure														
A25/1C	Bolt, 2BA (Mod 5142)	4	-	C											
AGS2001/C1	Nut, stiff, 2BA (Mod 5142)	4	-	C											
SP15/C	Washer	4	-	C											
Martin Baker															
0/MBEU/14975	PLATE, warning and safety pin (Pre Mod 5297)	1	-		FA1/49										
	RAM, Canopy Jettison Mounting, Installation (EB8.70.117/118)	-	-	-	FA1/50										
	Spares for:														
33B/9428852	DOPE, clear tautening	A/R	-	C	-										
Martin Baker															
MBCJ/474	RAM, Canopy Jettison, Port, Group (For spares see AP4515S Vol.3)	1	-	L	FA4/59										
Martin Baker															
MBCJ/475	RAM, Canopy Jettison, Starboard, Group (For spares see AP4515S Vol.3)	1	-	L	FA4/60										
	Attachment of ram to coaming														
A25/8E	Bolt, 1/4 in. BSF	4	-	C	FA4/61										
A27/ES	Nut, slotted, 1/4 in. BSF	4	-	C	FA4/62										
SP90/C8	Pin, split, 1/16 in. dia.	4	-	C	FA4/63										
Ermeto															
R32-HC	Ring, sealing, 1/2 in.	1	-	C	FA4/64										
EEAS20/1DR	Tab, locking	1	-	C	FA4/65										
EB8.70.119	Washer, profile, port only	1	L65		FA4/66										

FUSELAGE  
CANOPY AND RELEASE MECHANISM

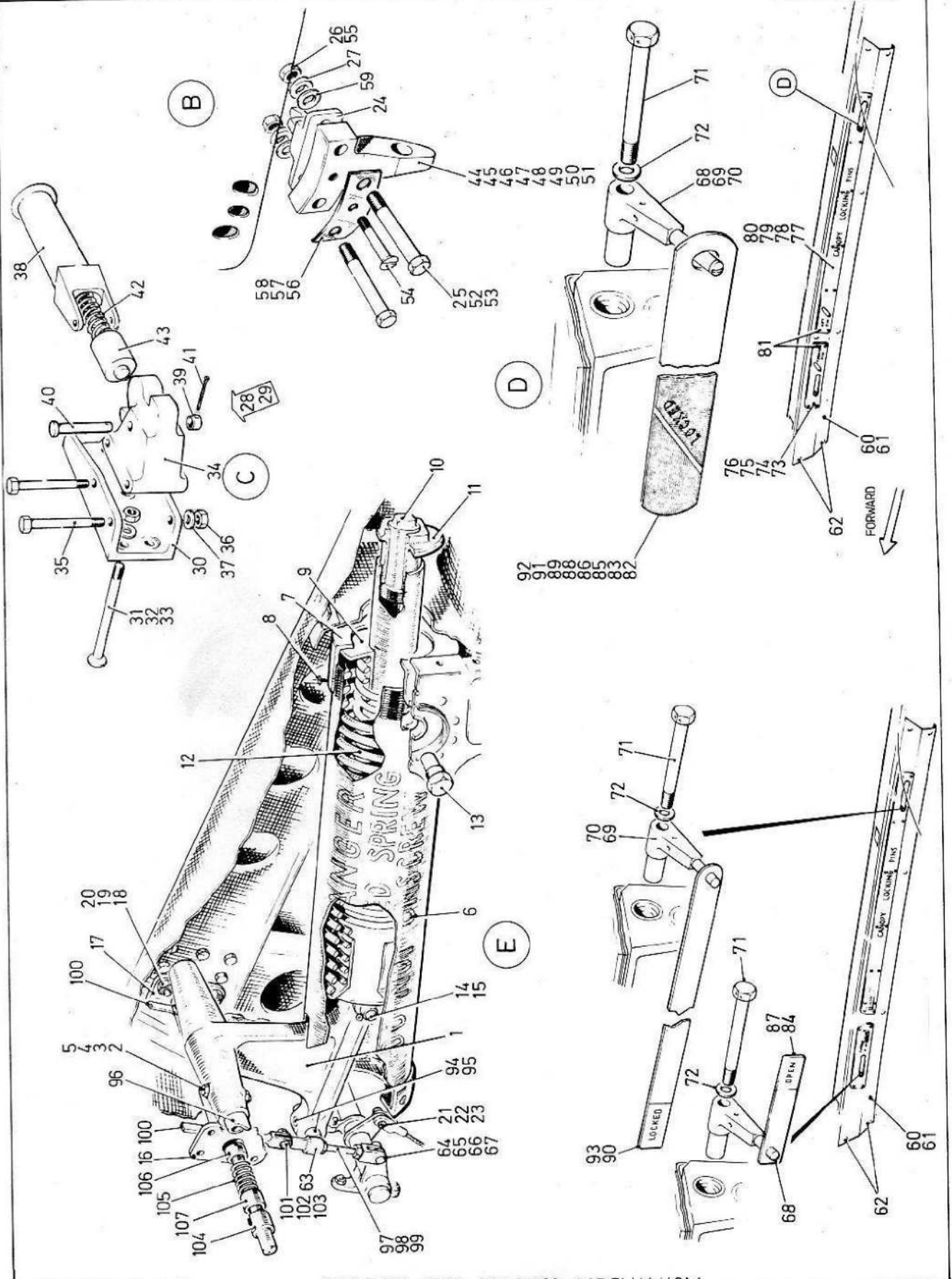
Part No.	Description	No. off	Material Specification	Class of Eqpt M.R. or L.M.	Plate						
						1	2	3	4	5	6
EB8.70.120	Washer, profile, starboard only	1	L65	LM	FA4/67						
EB8.70.121	Washer, taper, port only	1	L65	LM	FA4/68						
EB8.70.122	Washer, taper, starboard only	1	L65	LM	FA4/69						
SP15/E	Washer, 1/4 in.	4	-	C	FA4/70						
32B/2202351 Ermeto R32-HC	TAPE, waterproof	A/R	-	C	-						
	RING, sealing, pipes at second cartridge unit, by-pass valve and breech and time delay unit	7	-	C	FA1/51						
OR Ermeto R32-FV	RING, sealing, pipes at second cartridge unit, by-pass valve and breech and time delay unit	7	-	C	-						
Martin Baker MBCJ/470	CARTRIDGE UNIT, Second (For Spares see AP4515S, Vol.3)	1	-	L	FA1/52						R
	Attachment of second cartridge unit to sloping bulkhead										
A25/16E	Bolt, 1/4 in. BSF	3	-	C	FA1/53						
AGS2001/E1	Nut, stiff, 1/4 in. BSF	3	-	C	FA1/54						
EEAS20/2ER	TAB, locking	2	-	C	FA1/55						
EB8.70.51	Washer, profile	3	L72	C	FA1/56						
SP15/E	Washer, 1/4 in.	3	-	C	FA1/57						
Martin Baker MBCJ/471	VALVE, by-pass (For spares see AP4515S Vol.3)	1	-	L	FA1/58						R
	Attachment of by-pass valve to mounting structure										
A25/4E	Bolt, 1/4 in. BSF	4	-	C	FA1/59						
AGS2001/E1	Nut, stiff, 1/4 in. BSF	4	-	C	FA1/60						
EEAS20/2ER	Tab, locking	2	-	C	FA1/61						
SP15/E	Washer, 1/4 in.	4	-	C	FA1/62						
	MECHANISM, Canopy Operating, Assembly (EB8.10.2219) (See Section FB)										
	RELEASE, Emergency, External Handle Assembly (Mod 3092) (EB8.10.8091)	-	-	-							
	Spares for:										
EB8.10.8109	BOX, spring, group	1	-	C	FA1/63						
EB8.10.7833	CABLE, group	1	-	C	FA1/64						
EB8.10.8131	HANDLE, group (Pre Mod 5284)	1	-	C	FA4/71						
EB8.10.8275	HANDLE, group (Mod 5284)	1	-	C	FA4/72						
EB8.10.8105	LOCK, group (Pre Mod 5284)	1	-	L	FA4/73						
EB8.10.8105	LOCK, group (Mod 5284)	1	-	L	FA4/74						
EB8.10.8095	SLEEVE and PULLEY, assembly (Pre Mod 5284)	1	-	L							
EB8.10.8283	SLEEVE and PULLEY, assembly (Mod 5284)	1	-	L							

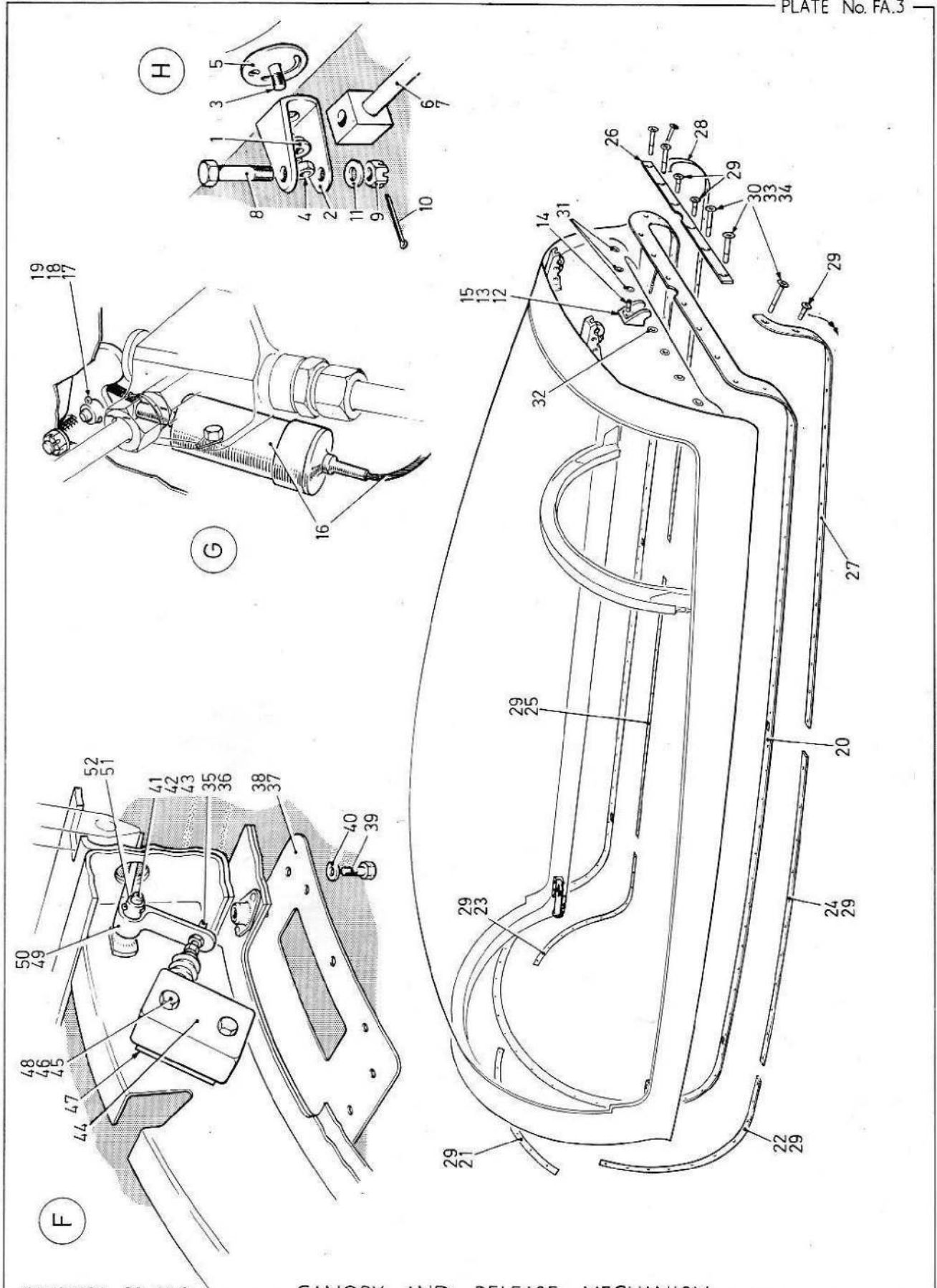


CANBERRA PR. Mk.9

CANOPY AND RELEASE MECHANISM

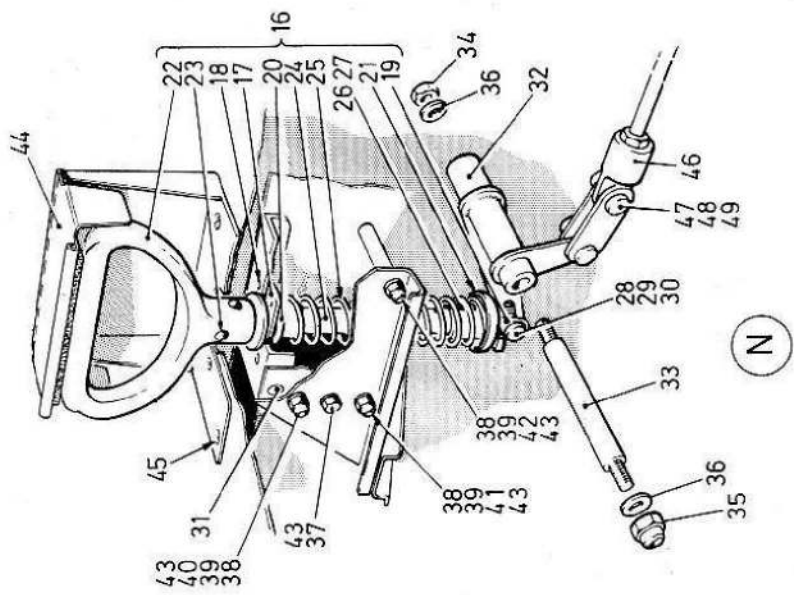
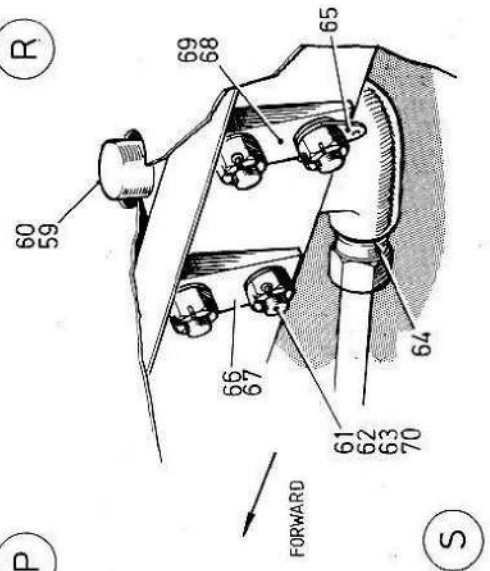
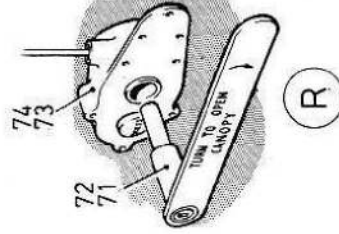
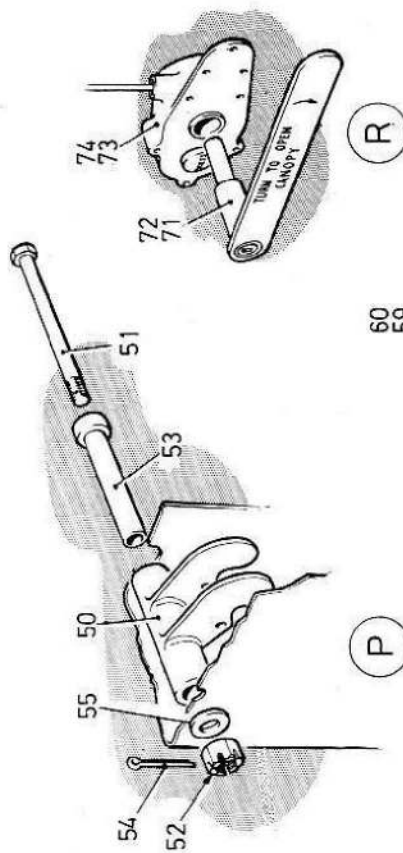
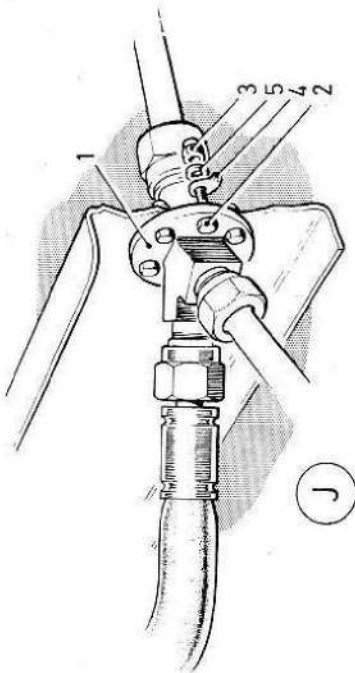
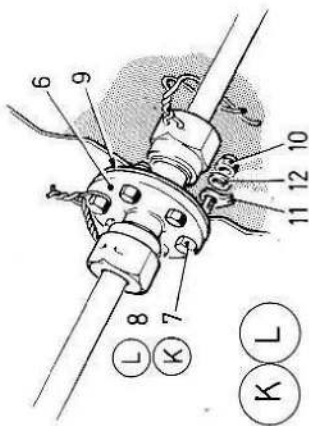
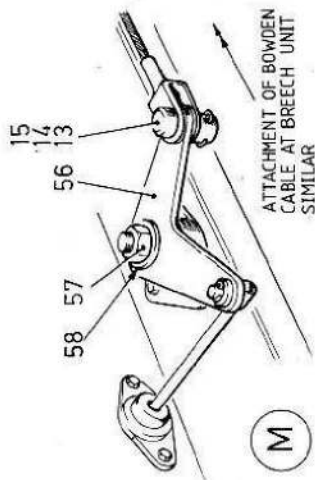
SEE PLATE CE1





CANBERRA PR Mk9

CANOPY AND RELEASE MECHANISM



This file was downloaded  
from the RTFM Library.

Link: [www.scottbouch.com/rtfm](http://www.scottbouch.com/rtfm)

Please see site for usage terms,  
and more aircraft documents.

