

Part No.	Description 1 2 3 4 5 6	No. off	Material Specification	Class of Eqpt M.R. or L.M.	Plate	
	REAR FUSELAGE AND TAIL UNIT (EB8.00.45)	-	-	-	FD1/1	R
	Spares for:					
	CONTROLS, Flying, Assembly (EB8.45.19) (See Section CG)	-	-	-	FD1/2	R
	ELECTRICAL, Installation (EB8.81.1101) (See Section DC)	-	-	-	FD1/3	R
	ELEVATOR, Group (EB8.31.1) (See Section NA)	-	-	-	FD1/4	R
	EQUIPMENT (EB8.83.1005) (See Section EA)				FD1/5	R
EB8.12.1053	FAIRING, Rear, Group	1	-	P	FD1/6	R
	Spares for:					
EA1.12.403	BRACKET, rear attachment	1	-	C	FD2/7	R
EA2.12.293	DOOR, Access, Rear Navigation Light, Group	1	-	L	FD2/8	R
	Spares for:					
EA2.12.303	WINDOW, perspex	1	DTD846	L	FD2/9	R
	Attachment of window to access door					
AS1242/3B	Bolt, csk. 4BA	12	-	C	FD2/10	R
AGS2002/B3	Nut, stiff, 4BA	12	-	C	FD2/11	R
EA2.12.309	Packing, rubber	2	Linatex	C	FD2/12	R
EA2.12.311	Packing	1	L72x20swg	LM	FD2/13	R
SP15/B	Washer	12	-	C	FD2/14	R
	Attachment of access door to fairing					
AS2230/303	Rivet, csk. 3/32 in. dia.	7	-	C	-	R
EEAS1/1C	Screw, csk. 2BA	5	HTS	C	FD2/16	R
EA1.12.577	PANEL, access, rear, port, group	1	-	C	FD2/17	R
EA1.12.578	PANEL, access, rear, starboard, group	1	-	C	FD2/18	R
EA1.12.967	PANEL, access, rear tail-plane	1	-	C	FD2/19	R
EA1.12.583	RADOME, dummy	1	-	P	FD2/20	R
	Attachment of dummy radome to fairing					
A25/3J	Bolt, 3/8 in. BSF	4	-	C	FD2/21	R
AGS2002/J1	Nut, stiff, 3/8 in. BSF	4	-	C	FD2/22	R
SP47/J	Washer, spring, 3/8 in.	4	-	C	FD2/23	R
	Attachment of fairing to rear fuselage					
A25/4E	Bolt, 1/4 in. BSF	2	-	C	FD1/24	R
A27/ES	Nut, slotted, 1/4 in. BSF	2	-	C	FD1/25	R
AGS2001/E1	Nut, stiff, 1/4 in. BSF	4	-	C	FD1/26	R
SP90/C8	Pin, split, 1/16 in. dia.	2	-	C	FD1/27	R
EEAS1/3C	Screw, csk. 2BA	4	-	C	FD1/28	R
SP16/E	Washer, 1/4 in.	2	-	C	FD1/29	R

FUSELAGE  
REAR

Canberra P R Mk 9

Part No.	Description	No. off	Material Specification	Class of Eqpt M.R. or L.M.	Plate							
						1	2	3	4	5	6	
	FIN, Group (EB8.32.1) (See Section NB)	-	-	-	FD1/30							R
	HEATING, Camera, System (EB8.75.1947) (See Section MP)	-	-	-	FD1/31							R
	HYDRAULIC, System (EB8.73.309) (See Section MH)	-	-	-	FD1/32							R
	INSULATION, Rear Camera Bay, Assembly (EB8.17.161) (See Section EA)	-	-	-	FD1/33							R
EAI.12.597	PLATE, sealing, tailplane to fuselage, forward port group	1	-	C	FD1/34							R
EAI.12.598	PLATE, sealing, tailplane to fuselage, forward, starboard group	1	-	C	FD1/35							R
EAI.12.599	PLATE, sealing, tailplane to fuselage, aft, port	1	DTD610	C	FD1/36							R
EAI.12.600	PLATE, sealing, tailplane to fuselage, aft starboard	1	DTD610	C	FD1/37							R
	Attachment of sealing plates to fuselage											
A33/C16	Screw, csk. 2BA	6	-	C	FD1/38							R
A33/C20	Screw, csk. 2BA	20	-	C	FD1/39							R
A33/C24	Screw, csk. 2BA	36	-	C	FD1/40							R
	RADAR, and Radio Installation (See Section KA)	-	-	-	FD1/41							R
	RUDDER, Group (EB8.33.1)(See Section NC)	-	-	-	FD1/42							R
	STRUCTURE, Camera Bay (EB8.83.17)	-	-	-	FD1/43							R
	Spares for:											
EB8.83.1643	CAP, locking support tube, group	4	-	C	FD3/44							R
	Attachment of cap to support tube											
EB8.83.487	Washer, locking	1	L59 or L17x22SWG	LM	FD3/45							R
EB8.83.491	FOOT, Camera Mounting, Forward, Port, Assembly	1	-	C	FD3/46							R
EB8.83.492	FOOT, Camera Mounting, Forward Starboard Assembly	1	-	C	FD3/47							R
EB8.83.493	FOOT, Camera Mounting, Aft, Port, Assembly	1	-	C	FD3/48							R
EB8.83.494	FOOT, Camera Mounting, Aft, Starboard Assembly	1	-	C	FD3/49							R
	Spares for:											
EB8.83.251	BUSH, clamp handle	1	S95	C	FD3/50							R
EB8.83.465	BUSH, "Pip" pin	2	S95	C	FD3/51							R
EB8.83.209	HANDLE, clamp	1	S1	C	FD3/52							R
	Attachment of clamp handle to stud											
A27/CP	Nut, 2BA	1	-	C	FD3/53							R

FUSELAGE  
REAR

Part No.	Description	No. off	Material Specification	Class of Eqpt M.R. or L.M.	Plate							
						1	2	3	4	5	6	
SP13/C	Washer, 2BA	1	-	C	FD3/54							R
SP13/E	Washer, 1/4 in.	1	-	C	FD3/55							R
Aviation Dev. A623	PIN, "Pip", quick release	1	-	C	FD3/56							R
EB8.83.253	STUD, clamp handle	1	S95	C	FD3/57							R
EB8.83.481	PLATE, attachment, forward cross tube, port and starboard	2	L72	C/MR	FD3/58							R
EB8.83.483	PLATE, attachment, aft, cross tube, port and starboard	2	L72	C/MR	FD3/59							R
	Attachment of plate to cross tubes											
A25/3C	Bolt, 2BA	4	-	C	FD3/60							R
A27/CP	Nut, 2BA	4	-	C	FD3/61							R
SP15/C	Washer, 2BA	4	-	C	FD3/62							R
	SHAFT, Splined, Port, Assembly (EB8.83.511)	1	-	-	FD3/63							R
	SHAFT, Splined, Starboard, Assembly (EB8.83.509)	1	-	-	FD3/64							R
	Consisting of:											
EB8.83.449	BLOCK, Support, Port Group	2	-	L	FD4/65							R
EB8.83.450	BLOCK, Support, Starboard, Group	2	-	L	FD4/66							R
	Spares for:											
EB8.83.251	BUSH, clamp handle	1	S95	C	FD4/67							R
EB8.83.465	BUSH, "Pip" pin	2	S95	C	FD4/68							R
EB8.83.209	HANDLE, clamp	1	S1	C	FD4/69							R
	Attachment of clamp handle to stud											
A27/CP	Nut, 2BA	1	-	C	FD4/70							R
SP13/C	Washer, 2BA	1	-	C	FD4/71							R
SP13/E	Washer, 1/4 in.	1	-	C	FD4/72							R
Aviation Dev. A623	PIN, "Pip", quick release	1	-	C	FD4/73							R
EB8.83.253	STUD, clamp handle	1	S95	C	FD4/74							R
EB8.83.301	CAP, locking	2	L65	C	FD4/75							R
EB8.83.189	NUT, locking	2	L65	C	FD4/76							R
EB8.83.2311	PIVOT, Group	2	-	L	FD4/77							R
	Spares for:											
EB8.83.251	BUSH, clamp handle	1	S95	C	FD4/78							R
EB8.83.239	HANDLE, clamp	1	S1	C	FD4/79							R
	Attachment of clamp handle to stud											
A27/CP	Nut, 2BA	1	-	C	FD4/80							R
SP13/C	Washer, 2BA	1	-	C	FD4/81							R
SP13/E	Washer, 1/4 in.	1	-	C	FD4/82							R
EB8.83.2317	KNOB	1	S95	C	FD4/83							R
EB8.83.2319	NUT	1	L65	C	FD4/84							R
EB8.83.2315	PIN, pivot	1	S95	C	FD4/85							R
EB8.83.2323	PLATE, retaining	2	L65	C	FD4/86							R

FUSELAGE  
REAR

Part No.	Description	No. off	Material Specification	Class of Eqpt M.R. or L.M.	Plate	
EN8.83.2321	SCREW, set	1	S95	C	FD4/87	R
EB8.83.253	STUD, clamp handle	1	S95	C	FD4/88	R
EB8.83.259	WASHER	1	L17 or L59	C	FD4/89	R
EB8.83.193	RING, locking, support block	4	L59 or L17	C	FD4/90	R
EB8.83.2207	SHAFT, Splined Port, Group (Mod 2784)	1	-	C	FD4/91	R
EB8.83.2209	SHAFT, Splined, Starboard Group (Mod 2784)	1	-	C	FD4/92	R
	STRUCTURE, Rear Fuselage (EB8.12.1)	-	-	-	FD1/93	R
	Spares for:					
EB8.12.619	ANGLE, Attachment	1	DTD.5054	C	FD5/94	R
EB8.12.205	BEARING, Rudder Bottom Hinge, Group	1	-	L	FD5/95	R
	Spares for:					
Ransome & Marles MJ1	BEARING, ballrace	1	-	C	FD5/96	R
EB8.12.679	CAP, end	1	-	C	FD5/97	R
SP21	NIPPLE, lubricating	1	-	C	FD5/98	R
	Attachment of bearing group to fuselage					
A25/4C	Bolt, 2BA	16	-	C	FD5/99	R
A27/CP	Nut, 2BA	16	-	C	FD5/100	R
SP16/C	Washer, 2BA	16	-	C	FD5/101	R
EB8.45.1173	BOLT, adjustable stop, rudder control	2	S95	C	FD5/102	R
	Attachment of stop bolt to bracket					
A27/ET	Nut, lock, 1/4 in. BSF	1	-	C	FD5/103	R
EB8.45.609	BRACKET, stop, upper, rudder, control	1	L65	C	FD5/104	R
	Attachment of bracket to structure					
AS2230/608	Rivet, 3/16 in. dia.	8	-	C	-	R
EB8.45.615	BRACKET, stop, lower, rudder control	1	-	C	FD5/105	R
	Attachment of bracket to structure					
A25/2C	Bolt, 2BA	4	-	C	FD5/106	R
A27/CP	Nut, 2BA	4	-	C	FD5/107	R
SP13/C	Washer, 2BA	4	-	C	FD5/108	R
EB8.83.915	BRACKET attachment, camera door jack, frames 34-35, port and starboard	2	DTD.683	C	FD6/109	R
	Attachment of bracket structure					
A25/3C	Bolt, 2BA	10	-	C	FD6/110	R
EA1.12.499	BUMPER, Tail Group	1	-	C	FD5/111	R
	Spares for:					
EA1.12.501	PAD, bumper	1	Rubber Shore 50	C	FD5/112	R
	Attachment of pad to bumper					
A25/1C	Bolt, 2BA	8	-	C	FD5/113	R

FUSELAGE  
REAR

Part No.	Description	No. off	Material Specification	Class of Eqpt M.R. or L.M.	Plate										
						1	2	3	4	5	6				
	Attachment of bumper group to fuselage														
A25/2C	Bolt, 2BA	14	-	C	FD5/114										R
SP15/C	Washer, 2BA	14	-	C	FD5/115										R
	CRADLE, Camera Lifting and Strop Sling Mounting (Mod 3103) (EB8.12.1171)	-	-	-	FD5/116										R
	Spares for:														
EB8.12.1175	STRAP, strop sling retaining	2	-	C	FD6/117										R
EB8.12.1177	WASHER, clip, mounting	8	-	C	FD6/118										R
EB8.12.621	FITTING, top hinge for strut	1	-	L	FD5/119										R
	Spares for:														
EAL.12.123	BUSH	1	-	C	FD5/120										R
	LAMP, Downward Identification, Mounting, Frame 38 Assembly (EB8.12.687)	-	-	-	FD5/121										R
	Spares for:														
EB8.12.691	RING, sealing	2	Linatex	C	FD6/122										R
EB8.12.693	RING, clamping	1	L72	C	FD6/123										R
EB8.12.699	WINDOW	1	DTD.838	L	FD6/124										R
	Attachment of window, sealing rings and clamping ring to structure														
AS1242/4B	Bolt, csk. 4BA	12	-	C	FD6/125										R
AGS2002/B1	Nut, stiff, 4BA	12	-	C	FD6/126										R
EAL.12.117	LUG, Fin Attachment, Port, Group (Ref No. for Pre 1975 manufactured items) (Pre SA4634, SA4683)	1	-	MR											
EAL.12.117	LUG, Fin Attachment, Port, Group (Ref No for post 1975 manufactured items) (Pre SA4634, SA4683)	1	-	MR	FD5/127										R
EAL.12.117	LUG, Fin Attachment, Port, Group (Ref No for post 1975 manufactured items) (Pre SA4634, SA4683)	1	-	MR	FD5/128										R
EAL.12.127	BUSH	1	S11	C	FD6/129										R
EAL.12.119	LUG, Fin Attachment, Starboard, Group (Ref No for pre 1975 manufactured items) (Pre SA4634, SA4683)	1	-	MR	-										R
EAL.12.119	LUG, Fin Attachment, Starboard, Group (Ref No for post 1975 manufactured items) (Pre SA4634, SA4683)	1	-	MR	FD5/130										R
EAL.12.119	LUG, Fin Attachment, Starboard, Group (Ref No for post 1975 manufactured items) (Pre SA4634, SA4683)	1	-	MR	FD5/131										R
EAL.12.119	LUG, Fin Attachment, Starboard, Group (Spares condition of EAL.12.119)(SA4634, SA4683)	1	-	MR											R

FUSELAGE  
REAR

Part No.	Description	No. off	Material Specification	Class of Eqpt M.R. or L.M.	Plate										
						1	2	3	4	5	6				
	Spares for:														
EA1.12.125	BUSH	1	S11	C	FD6/132										R
	MINI-HOIST, Extension Piece and Trolley Spreader Sling Mounting (Mod 3103) (EB8.12.1125)	-	-	-	FD5/133										R
	Spares for:														
EB8.12.1145	STRAP, hoist retaining	1	-	C	FD6/134										R
EB8.12.1147	STRAP, hoist retaining	1	-	C	FD6/135										R
EB8.12.1149	STRAP, hoist retaining	1	-	C	FD6/136										R
EB8.12.1151	STRAP, hoist retaining	1	-	C	FD6/137										R
	Attachment of strap to cradle														
A25/15C	Bolt, 2BA	1	-	C	FD6/138										R
AGS2001/C1	Nut, 2BA	1	-	C	FD6/139										R
SP15/C	Washer	1	-	C	FD6/140										R
EB8.12.1161	STRAP, trolley retaining	1	-	C	FD6/141										R
EB8.12.1169	STRAP, handle retaining	1	-	C	FD6/142										R
	SKINNING, and Structure Assembly (EB8.12.7)	-	-	-	FD1/143										R
	Spares for:														
EA2.12.21	DOOR, Access Equipment, Frames 31B-33, Group	1	-	L	FD7/144										R
	Spares for:														
EA1.12.363	FASTENER, end	12	-	C	FD7/145										R
EA1.12.361	FASTENER, side (Make from Ref 7137)	5	-	LM	FD7/146										R
	Attachment of fastener to door														
AS2230/406	Rivet, csk, 1/8 in.	4	-	C	-										R
EA1.12.917	PANEL, detachable	1	DTD 610	C	FD7/147										R
	Attachment of panel to door														
A32/C16	Screw, round head, 2BA	10	-	C	FD7/148										R
EA1.12.919	PANEL, detachable, circular	1	DTD 610	C	FD7/149										R
	Attachment of panel to door														
A32/C16	Screw, round head, 2BA	6	-	C	FD7/150										R
	Attachment of access door group to fuselage														
A25/20E	Bolt, 1/4 in. BSF, retaining strap	1	-	C	FD7/151										R
AGS2001/C1	Nut, stiff, 2BA	34	-	C	FD7/152										R
AGS2001/E1	Nut, stiff 1/4 in. BSF	1	-	C	FD7/153										R
Aviation Dev. A419	Pin, "Pip", quick release, retaining strap	1	-	C	FD7/154										R
EEAS1/1C	Screw, csk. 2BA, hinge attachment	32	S96	C	FD7/155										R

FUSELAGE  
REAR

Part No.	Description	No. off	Material Specification	Class of Eqpt M.R. or L.M.	Plate
EEAS1/2C	Screw, csk, 2BA, hinge attachment	2	S96	C	FD7/156
EA3.12.59	Strap, retaining	1	-	C	FD7/157
SP13/C	Washer, 2BA	34	-	C	FD7/158
SP13/E	Washer, 1/4 in.	1	-	C	FD7/159
EB8.20.5497	PANEL, Access, anti-collision lamp, frames 33-34 (Mod 5478S, satisfied by COM MOD/CANBERRA/0487/NEAF)	1	-	C	FD7/160
	Attachment of panel to structure				
AGS2007/C1	Nut anchor 2BA	10	-	C	FD7/161
AS2230/304	Rivet 3/32 in. csk	20	-	C	-
EEAS1/1C	Screw, csk. 2BA	10	-	C	FD7/162
	FRAME, No. 42 Assembly (EB8.12.373)	-	-	-	FD1/163
	Spares for:				
EB8.12.629	BLOCK, attachment, picketing bracket	2	L65	C	FD8/164
	Attachment of block to frame 42 and picketing bracket				
A25/4C	Bolt, 2BA	1	-	C	FD8/165
A25/5C	Bolt, 2BA	1	-	C	FD8/166
A25/12C	Bolt, 2BA	2	-	C	FD8/167
A27/CP	Nut, 2BA	4	-	C	FD8/168
AS2811/5/045	Tube, distance	1	L62x17swg	LM	FD8/169
EA3.12.163	BRACKET, Hinge Fitting, Tailplane Port, Group	1	-	L	FD9/170
	Spares for:				
EA3.12.267	BUSH	1	S11	C	FD9/171
EA3.12.164	BRACKET, Hinge Fitting, Tailplane Starboard Group	1	-	L	FD9/172
	Spares for:				
EA3.12.265	BUSH	1	S11	C	FD9/173
	Attachment of bracket to frame 42				
A25/5E	Bolt, 1/4 in. BSF	3	-	C	FD9/174
A25/6E	Bolt, 1/4 in. BSF	1	-	C	FD9/175
A25/5G	Bolt, 5/16 in. BSF	8	-	C	FD9/176
A25/14L	Bolt, 7/16 in. BSF	1	-	C	FD9/177
A27/GT	Nut, lock, 5/16 in. BSF	8	-	C	FD9/178
A27/EP	Nut, 1/4 in. BSF	4	-	C	FD9/179
A27/LP	Nut, 7/16 in. BSF	1	-	C	FD9/180
SP15/F	Washer, 1/4 in.	5	-	C	FD9/181
SP15/G	Washer, 5/16 in.	6	-	C	FD9/182
SP15/L	Washer, 7/16 in.	1	-	C	FD9/183
SP16/G	Washer, 5/16 in.	2	-	C	FD9/184
EB8.45.759	BRACKET, jack pick-up, c/w bushes	1	-	C	FD8/185

FUSELAGE  
REAR

Part No.	Description	No. off	Material Specification	Class of Eqpt M.R. or L.M.	Plate
	Attachment of bracket to frame 42				
A25/4C	Bolt, 2BA	5	-	C	FD8/186
A25/7C	Bolt, 2BA	7	-	C	FD8/187
A27/CP	Nut, 2BA	12	-	C	FD8/188
SP80/609	Rivet, 3/16 in. dia.	6	-	C	-
SP80/610	Rivet, 3/16 in. dia.	2	-	C	-
AS2230/608	Rivet, 3/16 in. dia.	4	-	C	-
SP13/C	Washer, 2BA	12	-	C	FD8/189
EA1.12.441	BRACKET, picketing	1	-	C	FD8/190
	Attachment of picketing bracket to frame 42				
A25/4C	Bolt, 2BA	10	-	C	FD8/191
A27/CP	Nut, 2BA	10	-	C	FD8/193
EA1.12.229	CLEAT, tee, forward, frame 42, stringer attachment (Pre Mod 5000 ALT/SB/9/063)	2	DTD 683	C/MR	-
EK5.12.611	CLEAT, tee, forward, frame 42 stringer attachment (Mod 5000 ALT/SB/9/063)	2	-	C/MR	FD8/195
EA1.12.231	CLEAT, tee, aft, rear longeron attachment, port (Pre Mod 5000 ALT/SB/9/063)	1	DTD 683	C/MR	-
EK5.12.607	CLEAT, tee, aft, rear longeron attachment, port (Mod 5000 ALT/SB/9/063)	1	-	C/MR	FD8/196
EA1.12.232	CLEAT, tee aft, rear longeron attachment, starboard (Pre Mod 5000 ALT/SB/9/063)	1	DTD 683	C/MR	-
EK5.12.608	CLEAT, tee, aft, rear longeron attachment, starboard (Mod 5000 ALT/SB/9/063)	1	-	-	FD8/197
	Attachment of cleats to frame 42				
AS1242/4E	Bolt, 1/4 in. BSF	8	-	C	FD8/198
A57/4E	Bolt, 1/4 in. BSF (Pre Mod 5000 ALT/SB/9/063)	6	-	C	-
A60/4E	Bolt, 1/4 in. BSF (Mod 5000 ALT/SB/9/063)	6	-	C	FD8/199
A25/8G	Bolt, 5/16 in. BSF	4	-	C	FD8/200
AGS2002/E1	Nut, stiff, 1/4 in. BSF	8	-	C	FD8/201
A27/ET	Nut, 1/4 in. BSF	6	-	C	FD8/202
A27/GP	Nut, 5/16 in. BSF	4	-	C	FD8/203
SP16/E	Washer, 1/4 in. BSF	8	-	C	FD8/204
SP13/E	Washer, 1/4 in. BSF	6	-	C	FD8/205
SP15/G	Washer, 5/16 in. BSF	6	-	C	FD8/206
SP16/G	Washer, 5/16 in. BSF	2	-	C	FD8/207
EB8.12.375	TEE-MEMBER, frame 42, port	1	-	C	FD8/208
EB8.12.376	TEE-MEMBER, frame 42, starboard	1	-	C	FD8/209
	Installation of T/R Type 16098 and Aerials on Rear Access Hatch (Mod 4377, 5106 and 5352)(EB8.12.1261)	-	-	-	FD7/210
	Spares for:				
EB8.12.1267	COVER (Pre Mod 5106)	1	-	C	-
EB8.12.1255	FAIRLEAD	2	-	C	FD10/211



FUSELAGE  
REAR

Part No.	Description	No. off	Material Specification	Class of Eqpt M.R. or L.M.	Plate
	Spares for:				
Skefko CBA0	BEARING, ball	4	-	L	FD11/235
	Attachment of bearing to doors				
EB8.83.907	Pin, roller, 2BA	1	S11 or S95	C	FD11/236
EA2.83.145	Shim	2	DTD126 or DTD124	C	FD11/237
EB8.83.697	BRACKET, jack attachment, port door only	1	DTD5044	C	FD11/238
EB8.83.698	BRACKET, jack attachment, starboard door only	1	DTD5044	C	FD11/239
	Attachment of bracket to door				
A25/3C	Bolt, 2BA	4	-	C	FD11/240
EA2.83.139	BRACKET, roller, side thrust	4	L40	C	FD11/241
	Attachment of bracket to door				
AS1242/3C	Bolt, csk. 2BA	1	-	C	FD11/242
EA2.83.151	ROLLER, side thrust	4	S11	C	FD11/243
	Attachment of roller to bracket				
EA2.83.153	Pin, roller, 5/32 in. dia.	1	S11	C	FD11/244
EA2.83.155	Shim	2	DTD126 or DTD124	C	FD11/245
	PLATFORM, Camera Window, Assembly (Pre Mod 2784) (EB8.83.759)	-	-	-	-
	Spares for:				
EB8.83.809	WINDOW, camera (SA.4878)	1	Glass PH221 Iss.3	L	-
OR					
EB8.83.809x3	WINDOW, camera (SA 5564)	1	Glass PH221 Iss.3	L	-
	Attachment of window to platform				
AS1248/4C	Bolt, 2BA	10	-	C	-
A27/CT	Nut, thin, 2BA	10	-	C	-
EB8.83.805	Packing 5/16 in. thick (Make from 31A/158)	1	Plywood 3.V.3	LM	-
EB8.83.803	Ring, retaining (18 swg)	2	L72	LM	-
EB8.83.807	Ring, sealing	2	Petrolite	C	-
AGS2035/C	Washer, "Shakeproof" 2BA	10	-	C	-
	PLATFORM, Camera Window, Assembly (Mod 2784) (EB8.83.1801)	-	-	-	FD11/246

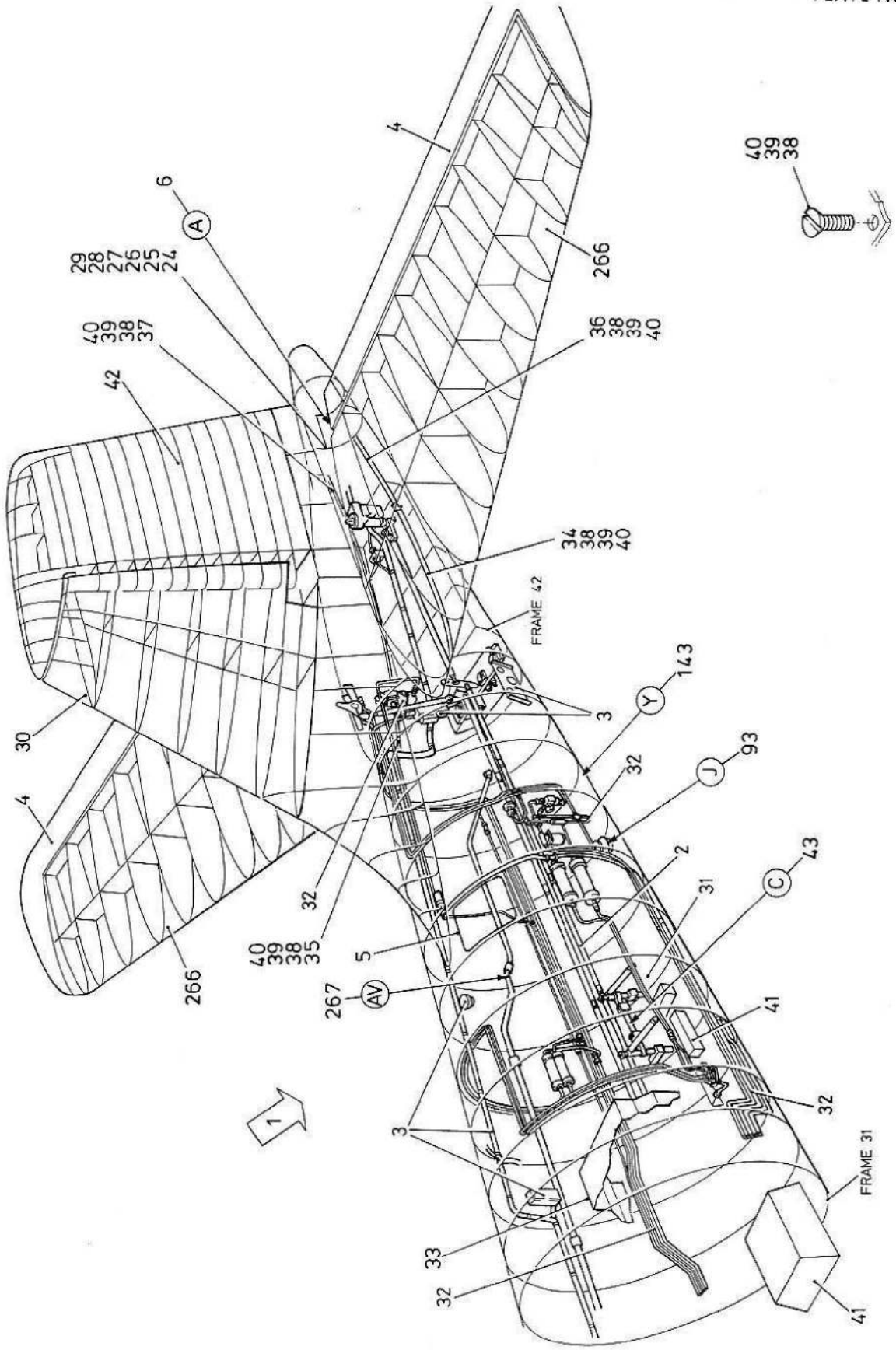
Part No.	Description	No. off	Material Specification	Class of Eqpt M.R. or L.M.	Plate
	Spares for:				
EB8.83.1751	WINDOW, Camera (SA 4878)	1	Glass PH221 Iss.3	L	FD11/247
OR					
EB8.83.1751x3	WINDOW, camera (SA 4904)	1	Glass PH221 Iss 3 Float Glass Method	L	-
OR					
EB8.83.1751x4	WINDOW, camera (SA 5564)	1	Glass PH221 Iss.3 Float Glass Method	L	-
	Attachment of window to platform				
AS1248/5C	Bolt, 2BA	12	-	C	FD11/248
A27/CT	Nut, thin, 2BA	12	-	C	FD11/249
EB8.83.1813	Packing	1	Plywood	C	FD11/250
EB8.83.1811	Ring, retaining (18 swg)	1	L72x18SWG	LM	FD11/251
EB8.83.1815	Ring, sealing	1	Petrolite	C	FD11/252
AGS2035/C	Washer, "Shakeproof", 2BA	12	-	C	FD11/253
EB8.83.763	RUNNER, camera door, frame 34, port	1	-	C	FD12/254
EB8.83.764	RUNNER, camera door, frame 34, starboard	1	-	C	FD12/255
EB8.83.765	RUNNER, camera door, frame 35, port	1	-	C	FD12/256
EB8.83.766	RUNNER, camera door, frame 35, starboard	1	-	C	FD12/257
	Attachment of runners to frames 34 and 35				
AS1242/1C	Bolt, csk. 2BA	36	-	C	FD12/258
AS1242/2C	Bolt, csk. 2BA	12	-	C	FD12/259
AS1242/3C	Bolt, csk. 2BA frames 34 only	2	-	C	FD12/260
A27/CP	Nut, 2BA	50	-	C	FD12/261
SP13/C	Washer, 2BA	10	-	C	FD12/262
	STUB, Rudder, Assembly (EB8.12.11)	-	-	-	FD7/263
	Spares for:				
EB8.12.103	PANEL, access, flying controls, group	1	-	C	FD12/264
	Attachment of access panel to stub				
EEAS1/2E	Screw, csk. 1/4 in. BSF	23	HTS	C	FD12/265
	TAILPLANE, Assembly (EB8.30.1x13) (See Section ND)	-	-	-	FD1/266
	VENTING, Fuel, Between Frame 30 And Frame 40, Rear Fuselage Assembly (EB7.57.293)	-	-	-	FD1/267
	Spares for:				
EB7.57.315	BRACKET, fuel vent pipes	9	L59	C	FD13/268
EB7.57.317	CLIP, for vent pipes	9	L59	C	FD13/269

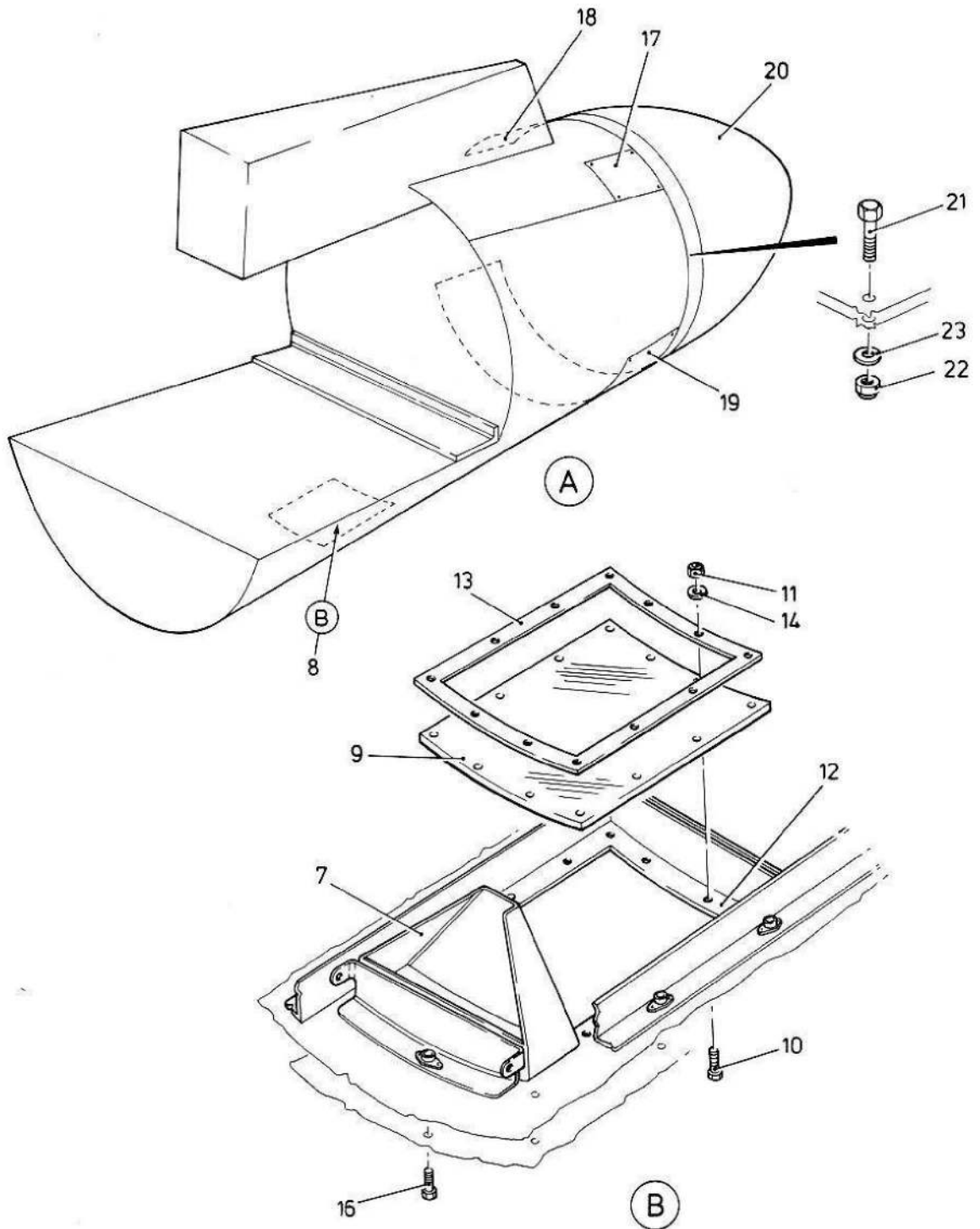
FUSELAGE  
REAR

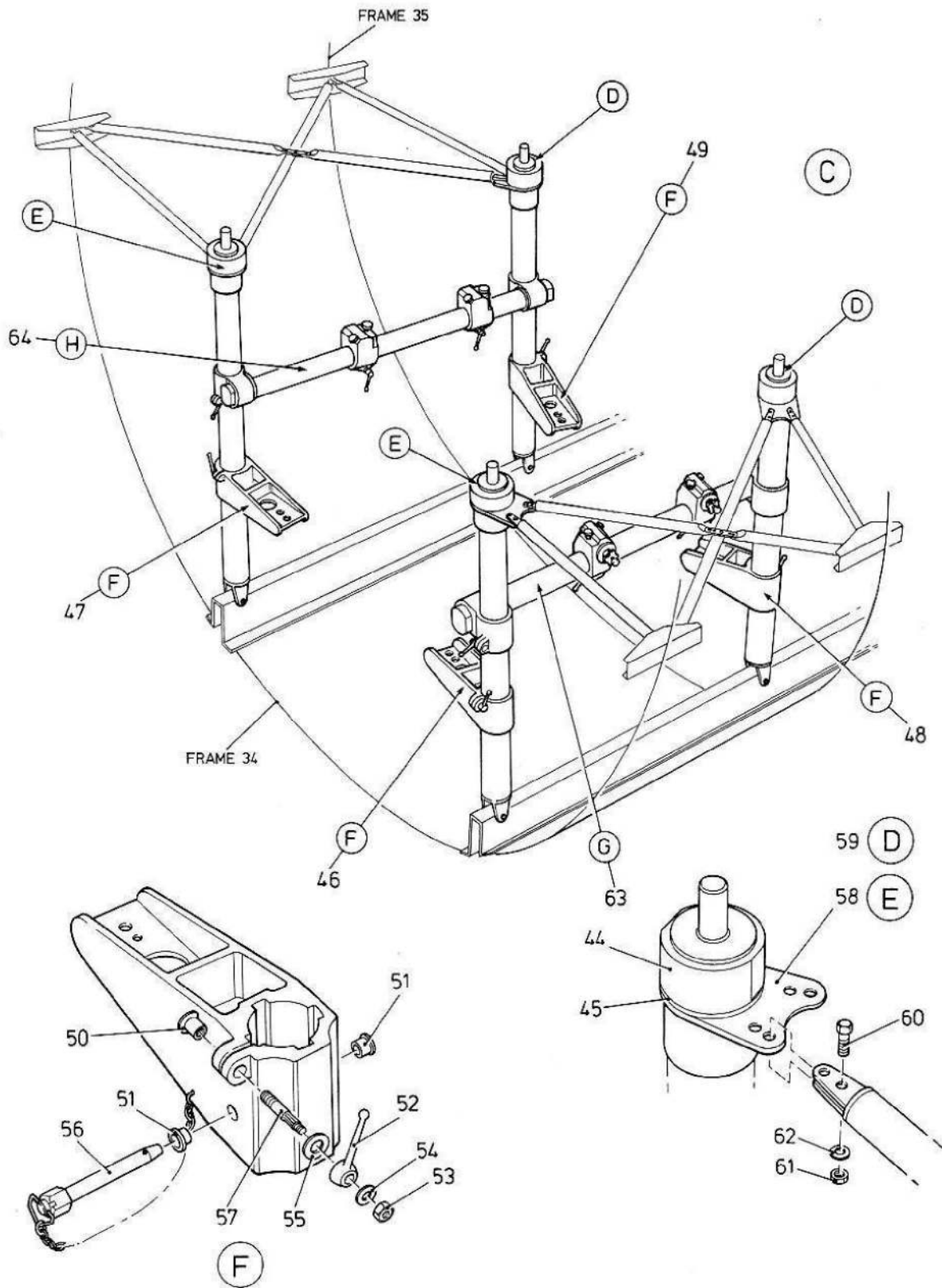
Canberra P R Mk 9

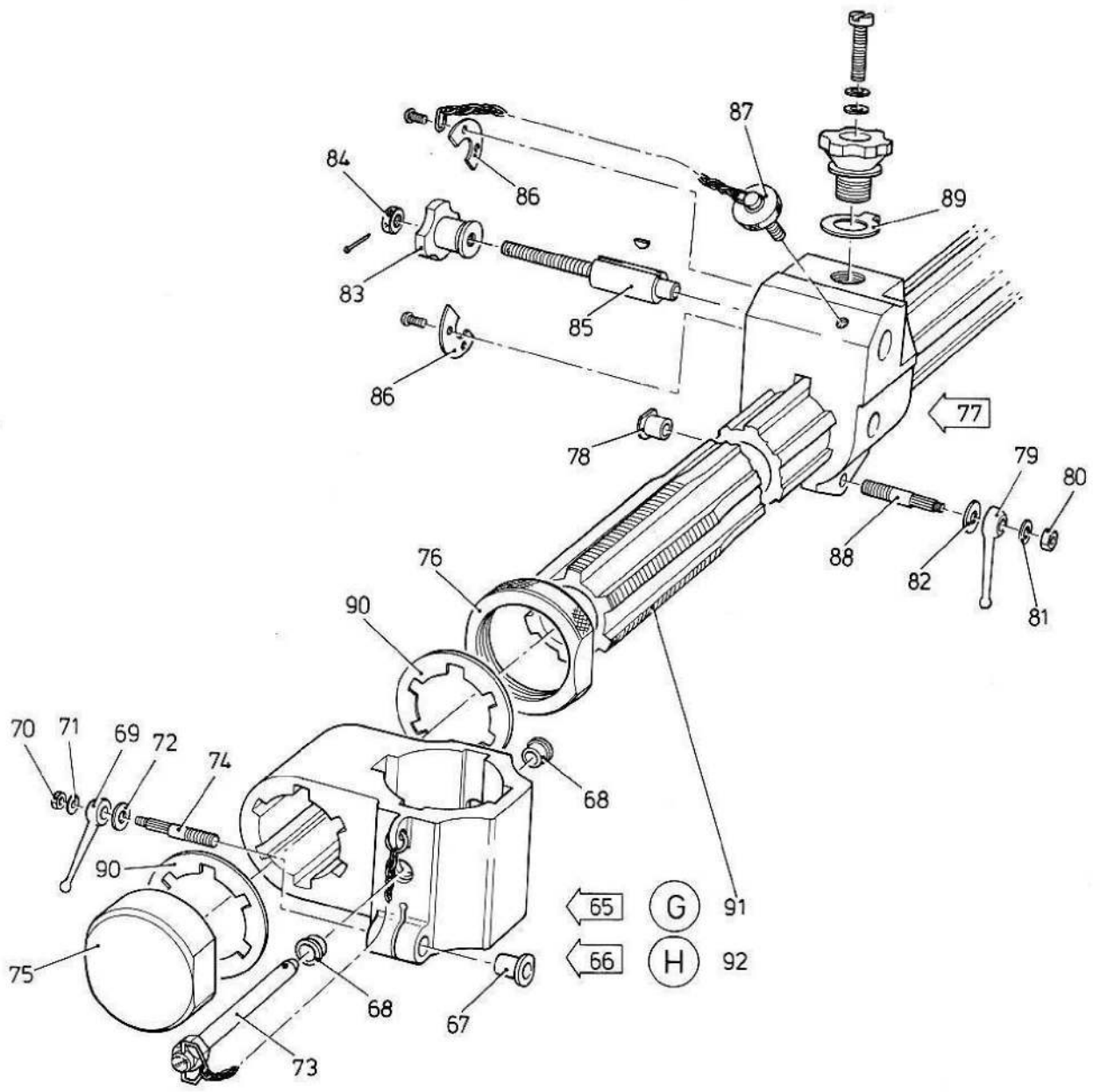
Part No.	Description	No. off	Material Specification	Class of Eqpt M.R. or L.M.	Plate					
					1	2	3	4	5	6
	Attachment of bracket and clip									
A25/3C	Bolt, 2BA	2	-	C						FD13/270
AGS2001/C1/66	Nut, stiff, 2BA	2	-	C						FD13/271
EB7.57.319	Washer, corner	2	-	C						FD13/272
SP15/C	Washer, 2BA	2	-	C						FD13/273
SP91/J	CLIP	16	-	C						FD13/274
AGS1661/M	CLIP, bonding	11	-	C						FD13/275
EEAS164/40/45	HOSE, rubber, 2.5in i/d x 3in o/d x 4.5in long	4	DTD625	C						FD13/276
AS3360C7C	LEAD, bonding	4	-	C						FD13/277
EB7.57.295	MAST, Outlet, Inst. (Pre Mod 517)	-	-	-						-
EG4.57.7	MAST, Outlet, Installation (Mod 517)	-	-	-						FD13/278
	Spares for:									
EB7.57.297	OUTLET, tank vent (Pre Mod 517)	1	-	C						-
EG4.57.5	OUTLET, mast (Mod 517)	1	-	-						FD13/279
	Attaching parts for outlets									
EB7.57.303	Gasket	1	Neo-K-Tex	C						FD13/280
EEAS1/2C	Screw, 2BA	6	-	C						FD13/281
EB7.57.305	PIPE, vent, from hose couplings, between frames 30 and 33	1	L56	-						FD13/282
EB7.57.307	PIPE, vent, from hose couplings, between frames 32 and 36	1	L56 or L54	-						FD13/283
EB7.57.309	PIPE, vent, from hose couplings, between frames 35 and 38	1	L56	-						FD13/284
EB7.57.311	PIPE, vent, from hose coupling, between frames 37 and 41	1	L56	-						FD13/285

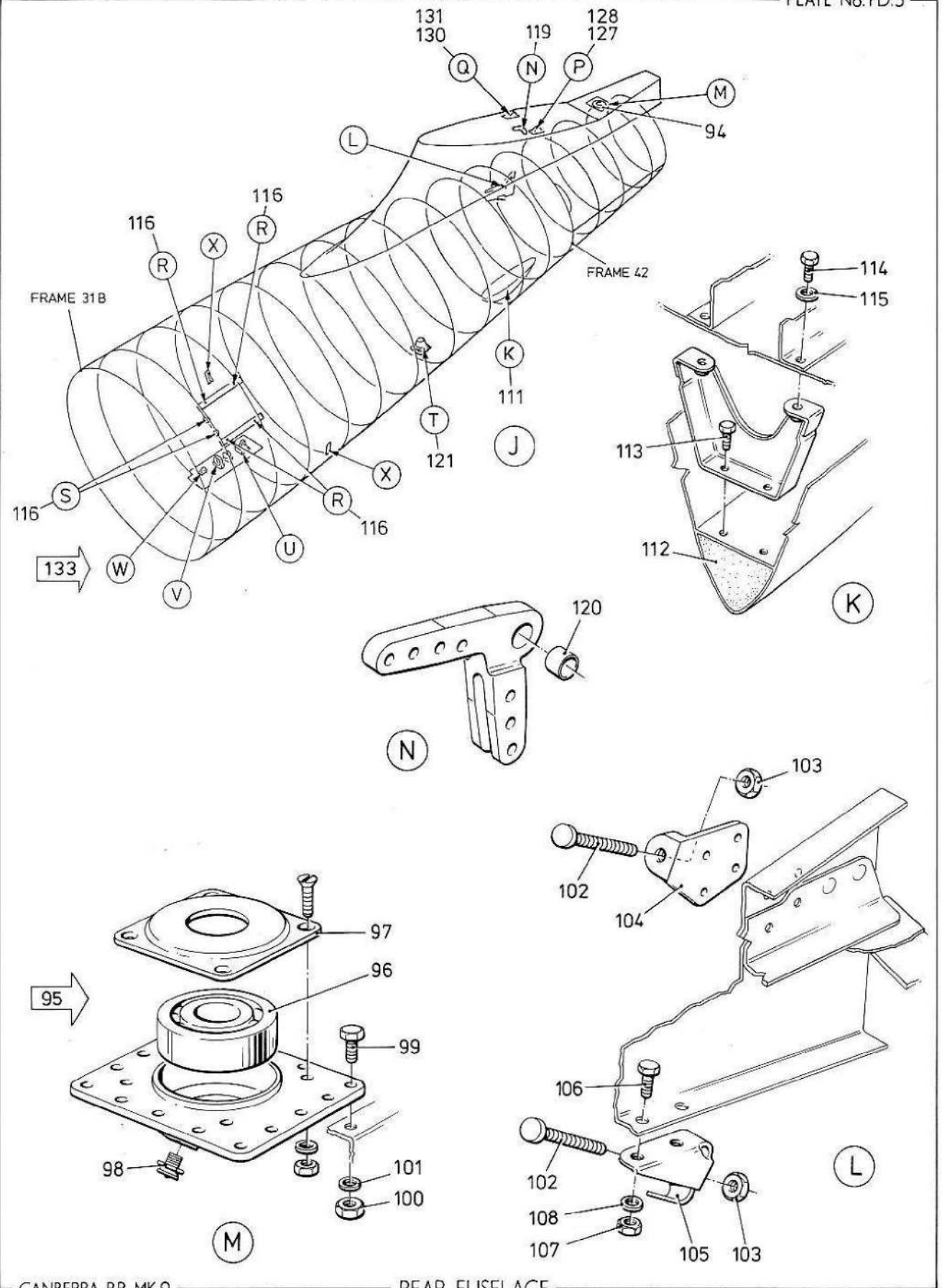
R

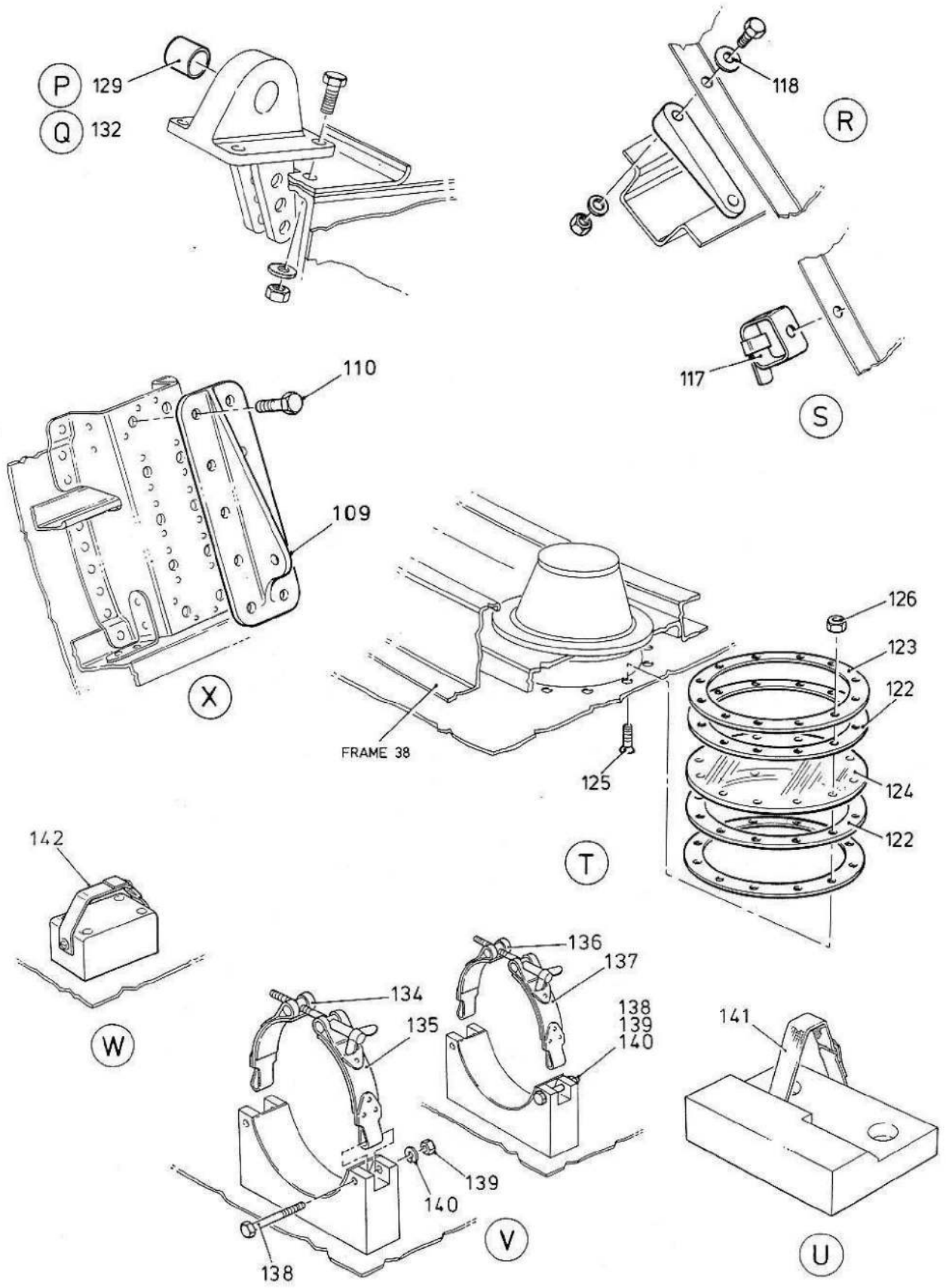


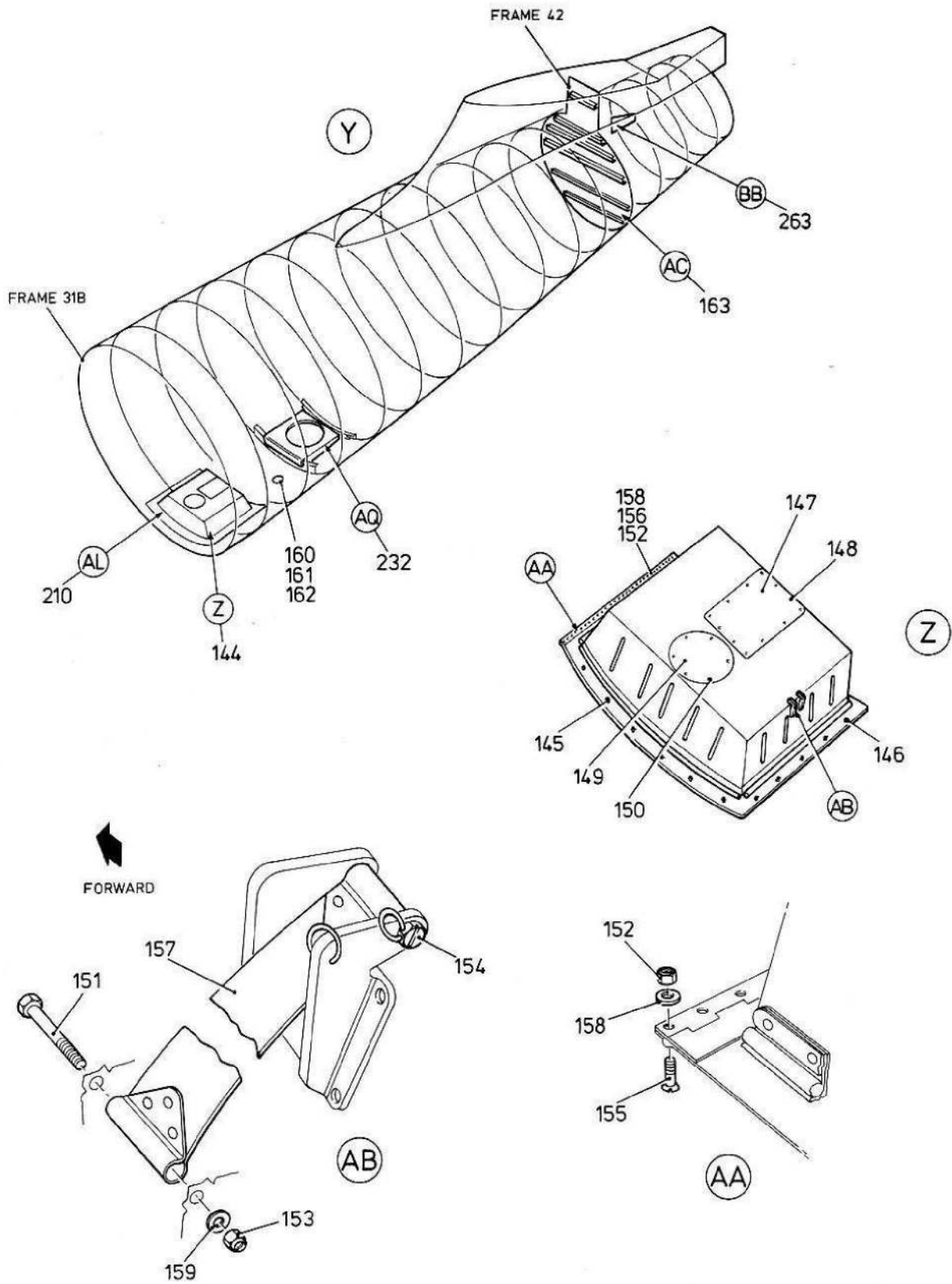


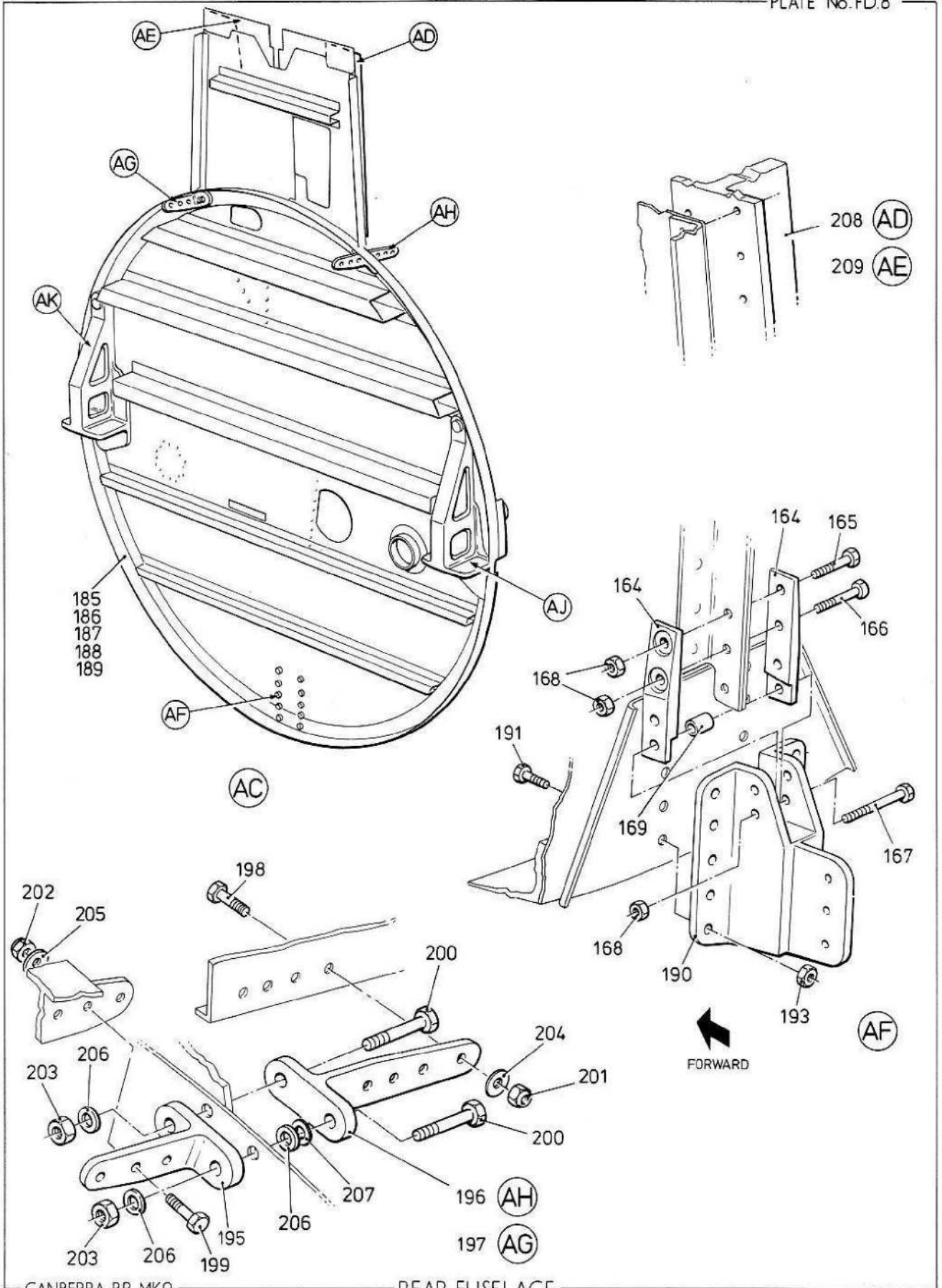






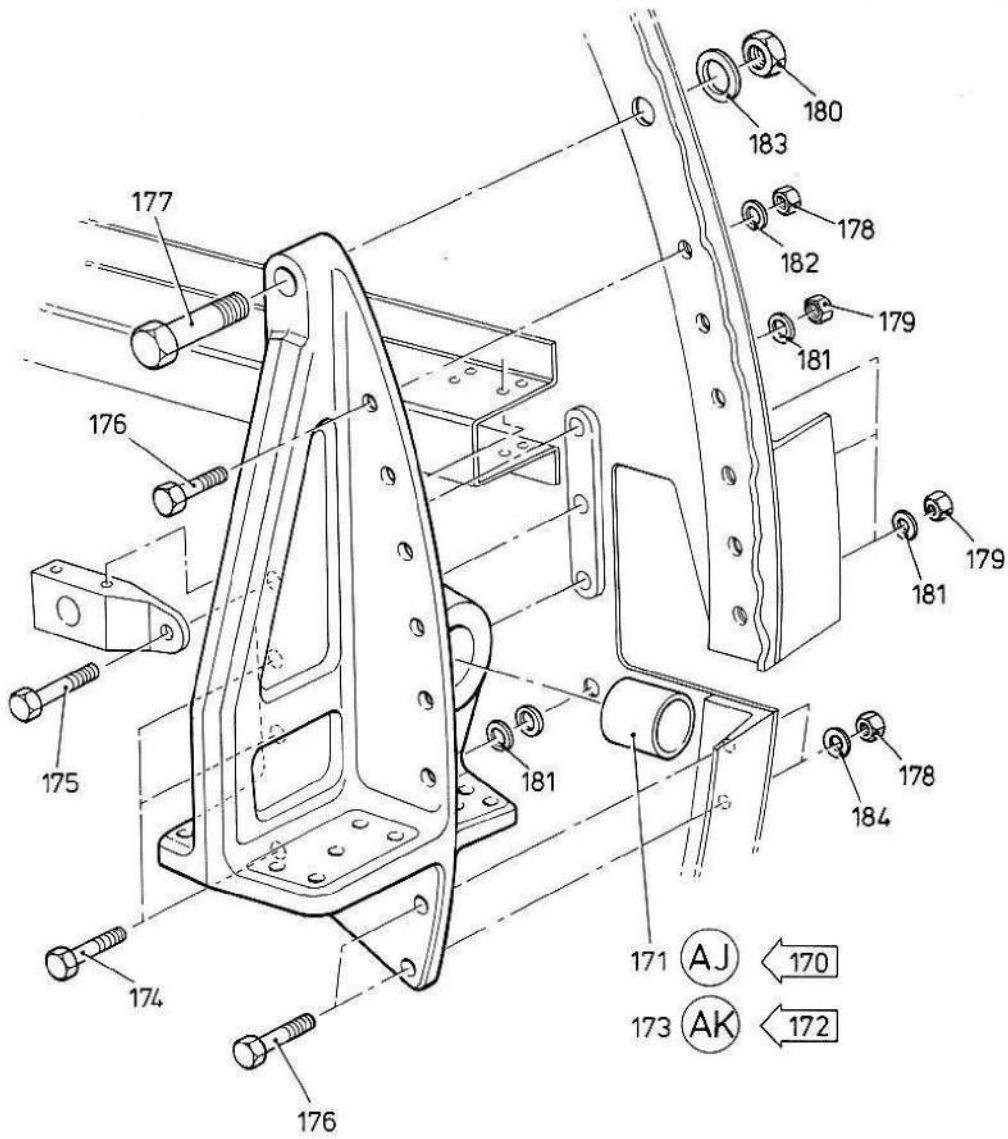


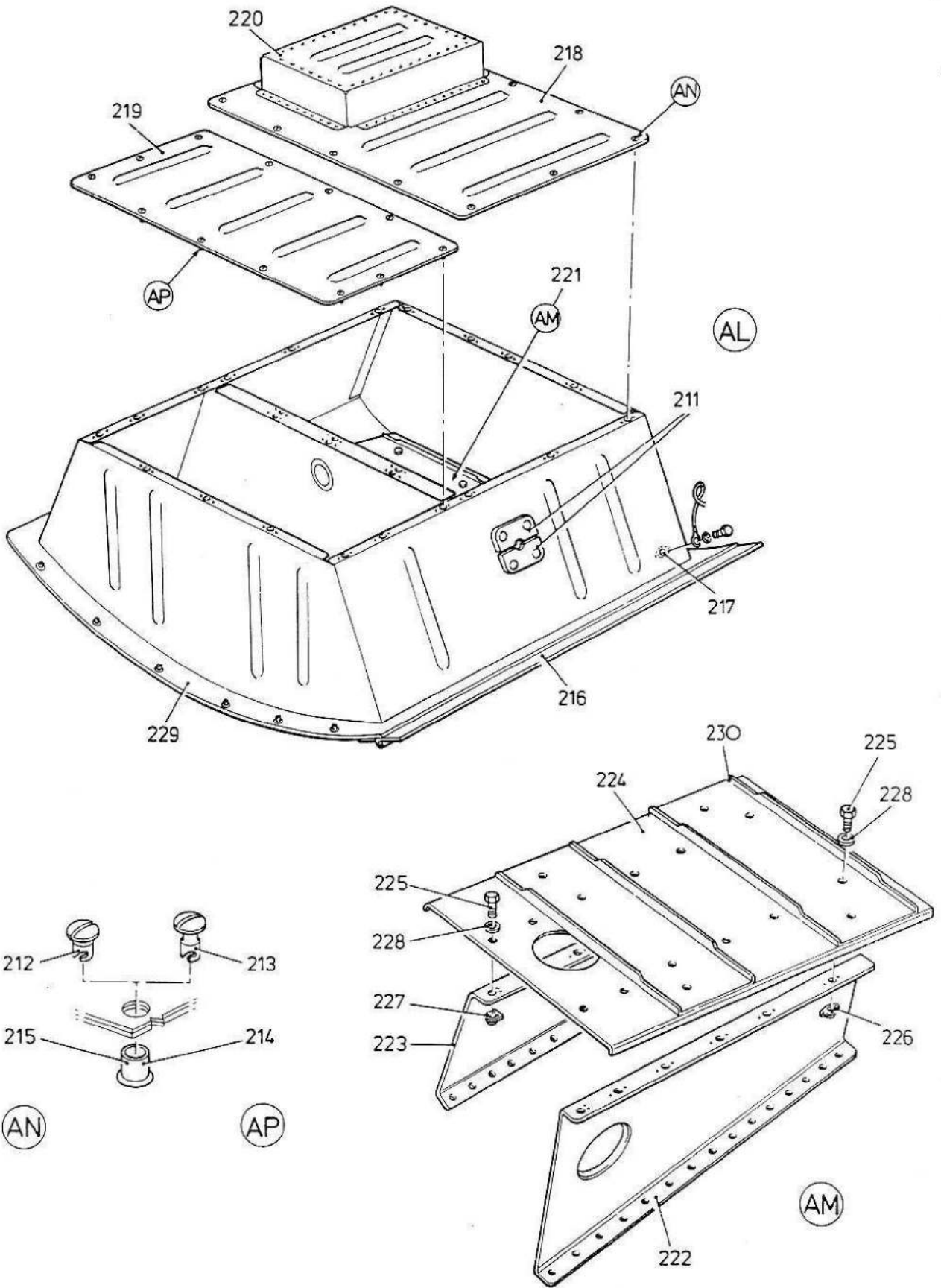


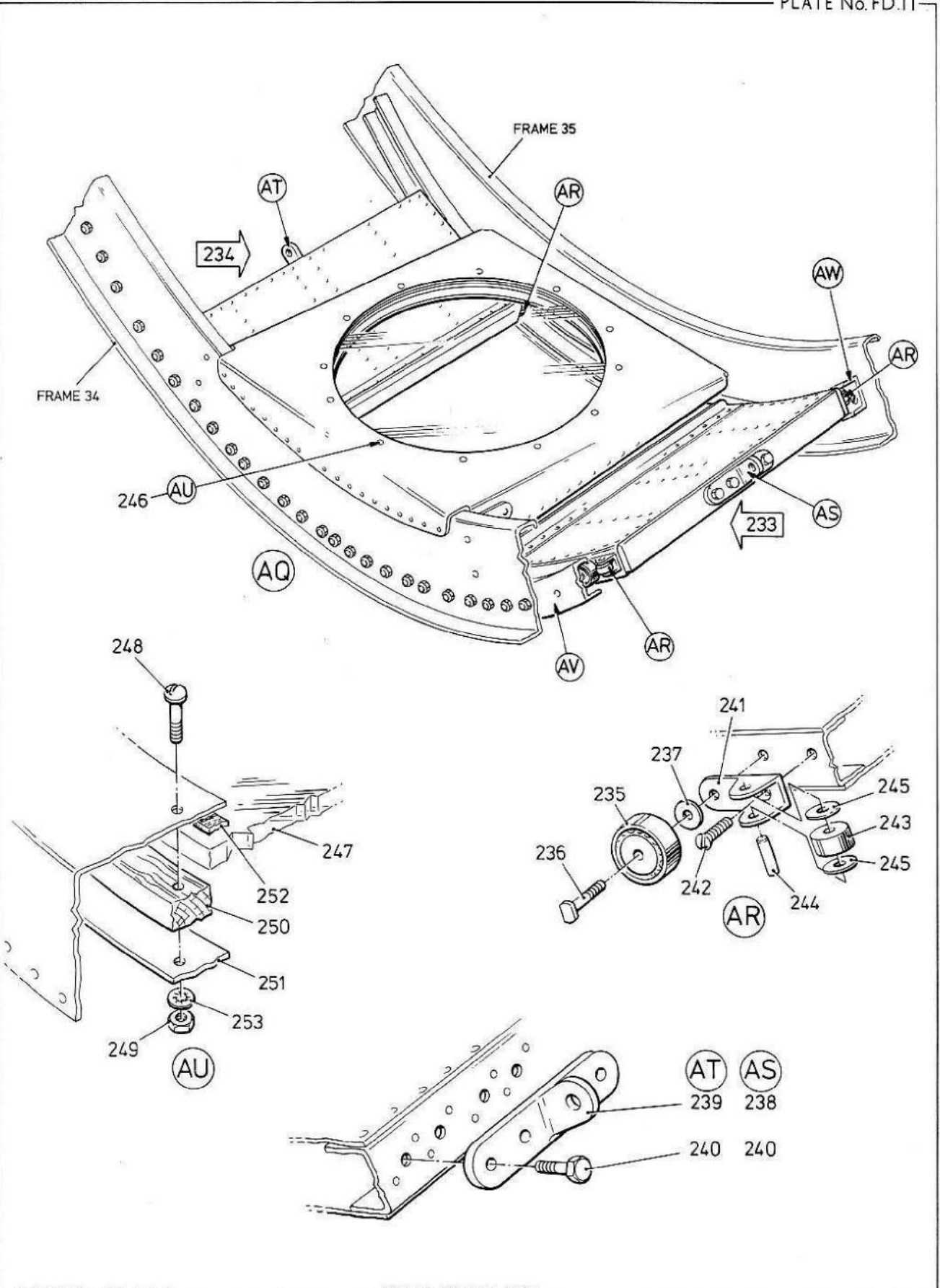


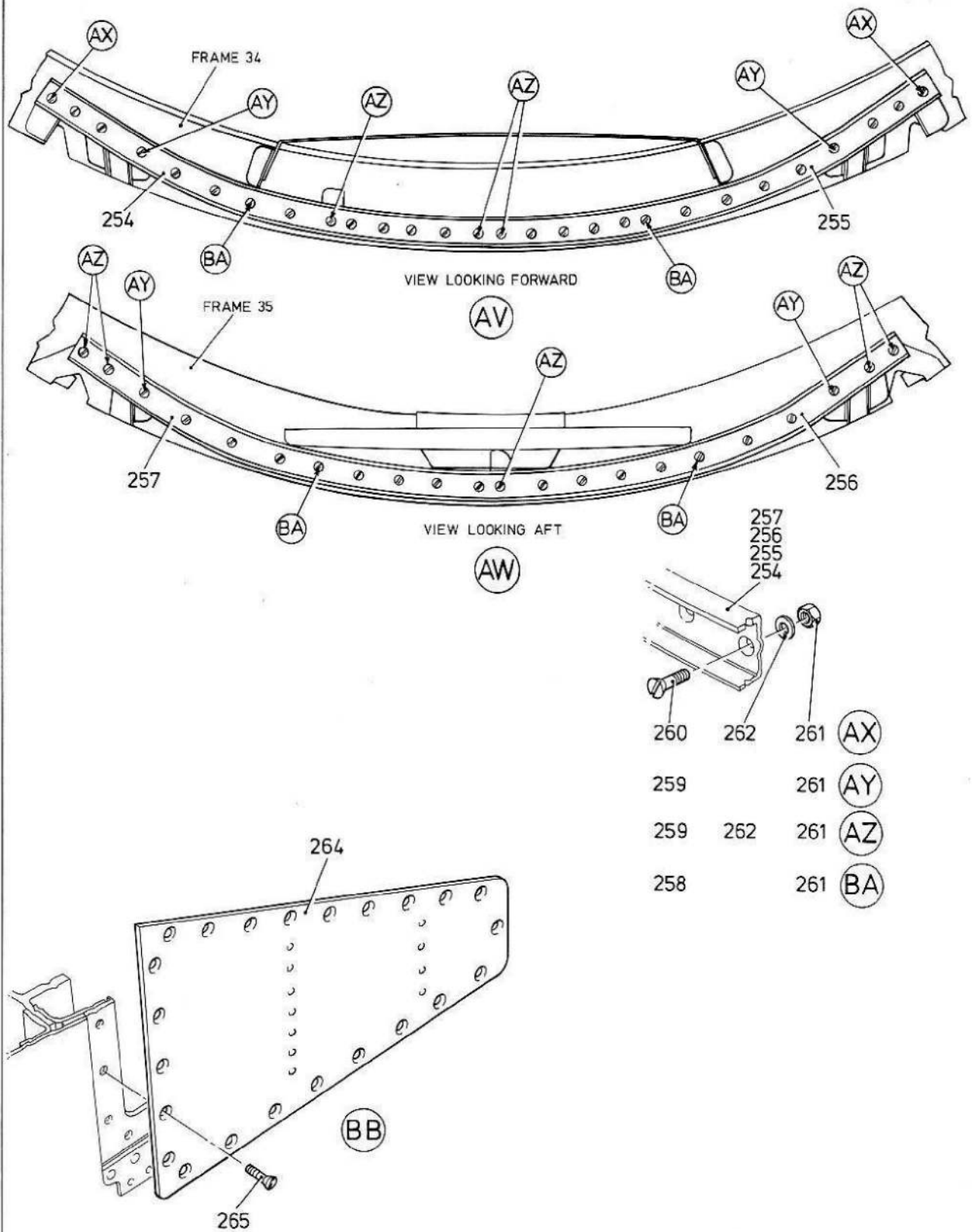
CANBERRA PR. MK9

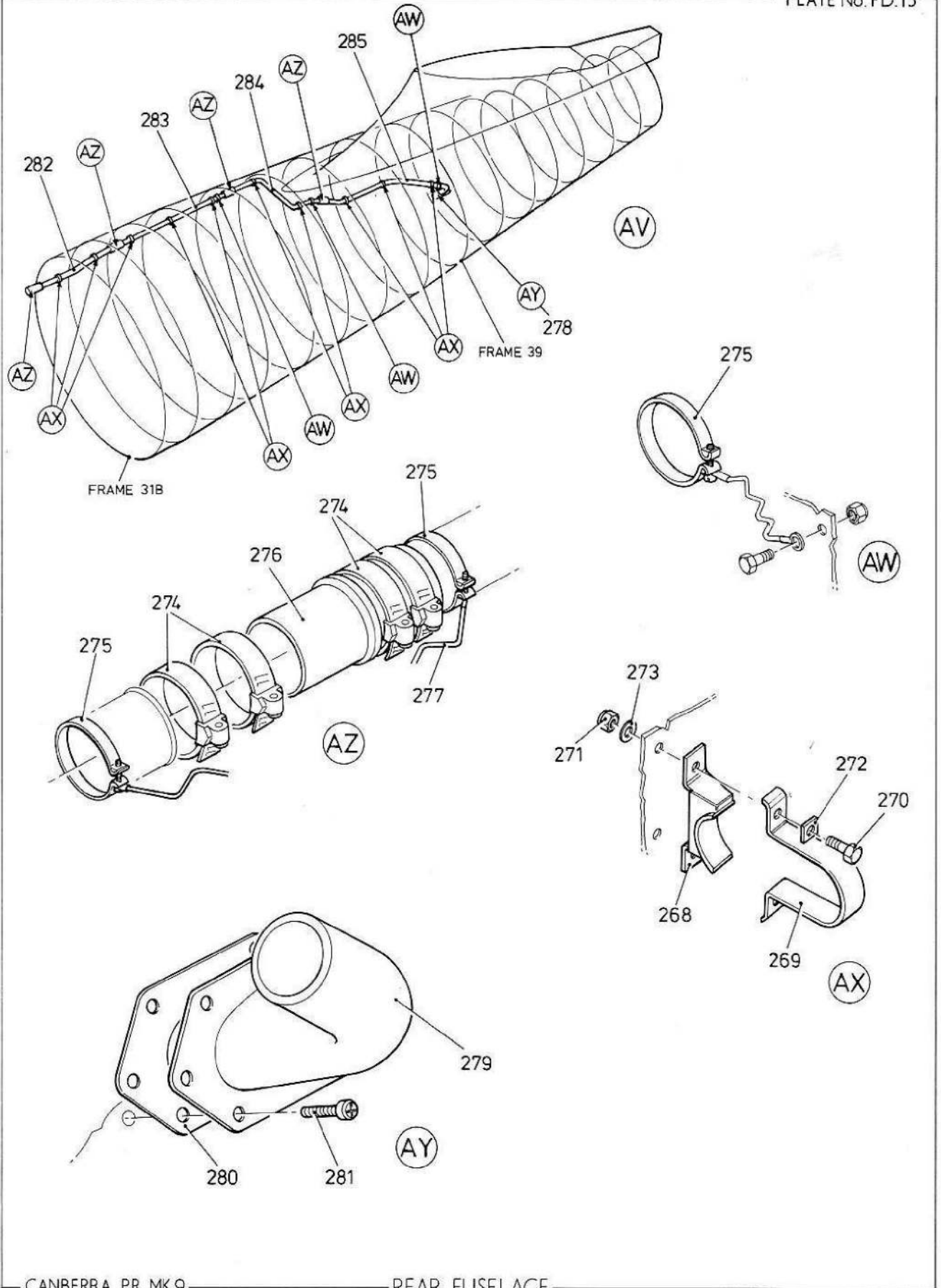
REAR FUSELAGE











This file was downloaded  
from the RTFM Library.

Link: [www.scottbouch.com/rtfm](http://www.scottbouch.com/rtfm)

Please see site for usage terms,  
and more aircraft documents.

