

MAIN PLANE
AILERON

Part No.	Description	No. off	Material Specification	Class of Eqpt M.R. or L.M.	Plate						
						1	2	3	4	5	6
EB8.24.1	AILERON, Powered, Port, Group (Supplied to Pt No EB8.00.447 for spares purposes) (Pre Mod 4853)	1	-	P	GA1/1						
EB8.24.1x6	AILERON, Powered, Port, Group (Supplied to Pt No EB8.00.717 for spares purposes) (Mod 4853 Pre Mod 5005 and 5012)	1	-	P	GA1/2						
EB8.24.1x7	AILERON, Powered, Port, Group (Supplied to Pt No EB8.00.751 for spares purposes) (Mod 5005 and 5012 Pre Mod 5000 ALT SB/9/070 and Mod 5310)	1	-	P	GA1/3						R
EB8.24.1x9	AILERON, Powered, Port, Group (Supplied to Pt No EB8.00.813 for spares purposes) (Mod 5000 ALT SB/9/070 and Mod 5310)	1	-	P	GA1/4						R
Skefco CBA3	Spares for: BEARING, 3/8 in at outboard hinge rib 20 Attachment of bearing to outboard hinge at 20	1	-	C	GA1/5						
AGS2030/45 Ampep 2807P	CIRCLIP, 1 1/16 in. i/d BEARING, at inboard hinge rib 1 Attachment of bearing to inboard hinge rib 1	1 1	- -	C C	GA1/6 GA1/7						
AGS2030/26 EA9.24.103	Circlip, 1 1/16 in i/d BRACKET, aileron hinge 1/B Rib 1 (Pre Mod 5000 ALT/SB/9/070)	1 1	- -	C C/MR	GA1/8						
EA3.24.211	BRACKET, aileron hinge I/B Rib 1 (Mod 5000 ALT/SB/9/070)	1	-	C/MR							
EB8.00.439	BRACKET, Jack Pick Up, Port Group Spares for:	1	-	C	GA1/9						
EB8.24.309	BUSH Attachment of bracket to aileron	3	S98	C	GA1/10						
A25/6C A25/6E AGS2050/440BS SP80/406 SP80/606 EA1.24.193	Bolt, 2BA Bolt, 1/4 in. BSF Rivet, 1/8 in. dia Rivet, 1/8 in. dia Rivet, 1/8 in. dia. HOUSING, bearing, outer aileron (Pre Mod 5000 ALT/SB/9/070)	8 8 12 27 8 2	- - - - - -	C C C C C C	- - - - - -						R R R R R R
EA3.24.213	HOUSING, bearing, outer aileron (Mod 5000 ALT/SB/9/070)	2	-	C	-						R

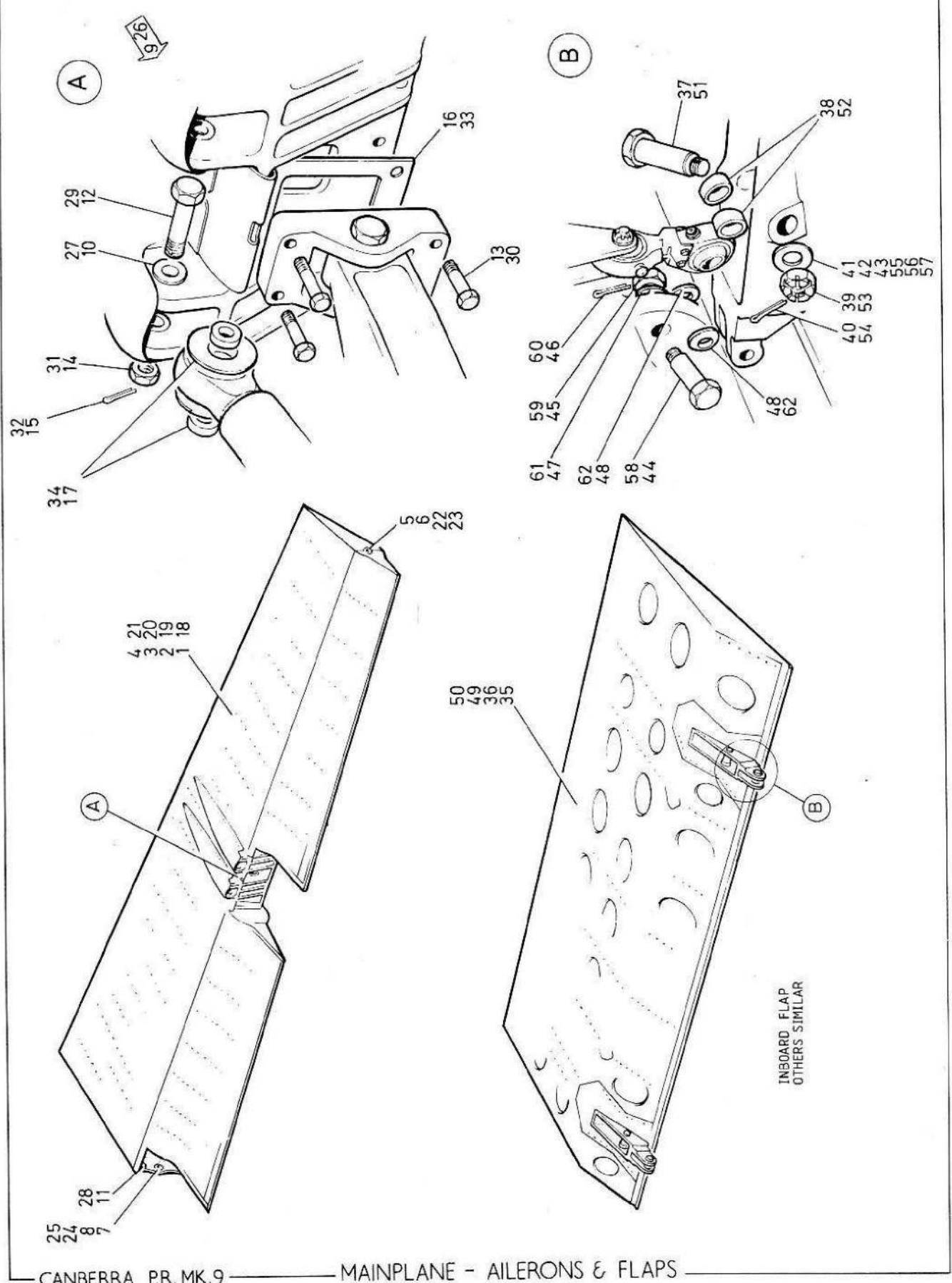
MAIN PLANE
AILERON

Part No.	Description	No. off	Material Specification	Class of Eqpt M.R. or L.M.	Plate						
						1	2	3	4	5	6
EA1.24.271	STOP, aileron, rubber Attachment of stop to aileron	2	Shore Hardness 55	C	GA1/11						
Bostik CS2558	Adhesive Attachment of aileron and jacks to main plane	AR	-	C	-						R
EB8.20.6035	Bolt, 3/8 in. BSF jack to aileron	4	S98	C	GA1/12						
A25/15G	Bolt, 5/16 in. BSF, aileron to main plane	4	-	C	GA1/13						
A27/JS	Nut, 3/8 in. BSF jack to aileron	4	-	C	GA1/14						
SP90/E6	Pin, split, 3/32 in. dia	4	-	C	GA1/15						
EB8.20.4447	Shim, aileron to main plane	2	Lam Alum	C	GA1/16						
SP14/J	Washer, jack to aileron	AR	-	C	-						R
EB8.24.307	Washer, slip, jack to aileron	4	DTD166B	C	GA1/17						
EB8.24.2	AILERON, Powered, Starboard Group (Supplied to Pt No EB8.00.448 for spares purposes) (Pre Mod 4853)	1	-	P	GA1/18						
EB8.24.2x6	AILERON, Powered, Starboard, Group (Supplied to Pt No EB8.00.718 for spares purposes) (Mod 4853 Pre Mod 5005 and 5012)	1	-	P	GA1/19						
EB8.24.2x7	AILERON, Powered, Starboard, Group (Supplied to Pt No EB8.00.752 for spares purposes) (Mod 5005 and 5012 Pre Mod 5000 ALT SB/9/070 and Mod 5310)	1	-	P	GA1/20						R
EB8.24.2x9	AILERON, Powered, Starboard, Group (Supplied to Pt No EB8.00.814 for spares purposes) (Mod 5000 ALT SB/9/070 and Mod 5310)	1	-	P	GA1/21						R
	Spares for:										
Skefko CBA3	BEARING, 3/8 in. at outboard hinge rib 20 Attachment of bearing to outboard hinge rib 20	1	-	C	GA1/22						
AGS2030/45 Ampep 2807P	Circlip, 1 7/16 in. i/d BEARING, at inboard hinge rib 1 Attachment of bearing to inboard hinge rib 1	1	-	C	GA1/23						
AGS2030/26 EA9.24.104	Circlip, 1 9/16 in. i/d BRACKET, aileron hinge I/B Rib 1 (Pre Mod 5000 ALT/SB/9/070)	1	-	C	GA1/25						
EA3.24.212	BRACKET, aileron hinge I/B Rib 1 (Mod 5000 ALT/SB/9/070)	1	-	C/MR	-						R
EB8.00.440	BRACKET, Jack Pick Up, Starboard, Group	1	-	C	GA1/26						

MAIN PLANE
AILERON

Part No.	Description 1 2 3 4 5 6	No. off	Material Specification	Class of Eqpt M.R. or L.M.	Plate
A25/6E	Bolt, 1/4 in. BSF	8	-	C	
AGS2050/440BS	Rivet, 1/8 in. dia	12	-	C	
SP80/406	Rivet, 1/8 in. dia.	27	-	C	
EA1.24.193	HOUSING, bearing, outer aileron (Pre Mod 5000 ALT/SB/9/070)	2	-	C	
EA3.24.213	HOUSING, bearing, outer aileron (Mod 5000 ALT/SB/9/070)	2	-	C	
EA1.24.271	STOP, aileron, rubber	2	Shore Hardness 55	C	GA1/28
	Attachment of stop to aileron				
Bostik CS2558	Adhesive	AR	-	C	
	Attachments of aileron and jack to main plane				
EB8.20.6035	Bolt, 3/8 in. BSF jack to aileron	4	S98	C	GA1/29
A25/15G	Bolt, 5/16 in. BSF aileron to main plane	4	-	C	GA1/30
A27/JS	Nut, 3/8 in. jack to aileron	4	-	C	GA1/31
SP90/E6	Pin, split, 3/32 in. dia.	4	-	C	GA1/32
EB8.20.4447	Shim, aileron to main plane	2	Lam Alum	C	GA1/33
SP14/J	Washer, jack to aileron	AR	-	C	
EB8.24.307	Washer, slip, jack to aileron	4	DTD166B	C	GA1/34

R



This file was downloaded
from the RTFM Library.

Link: www.scottbouch.com/rtfm

Please see site for usage terms,
and more aircraft documents.

